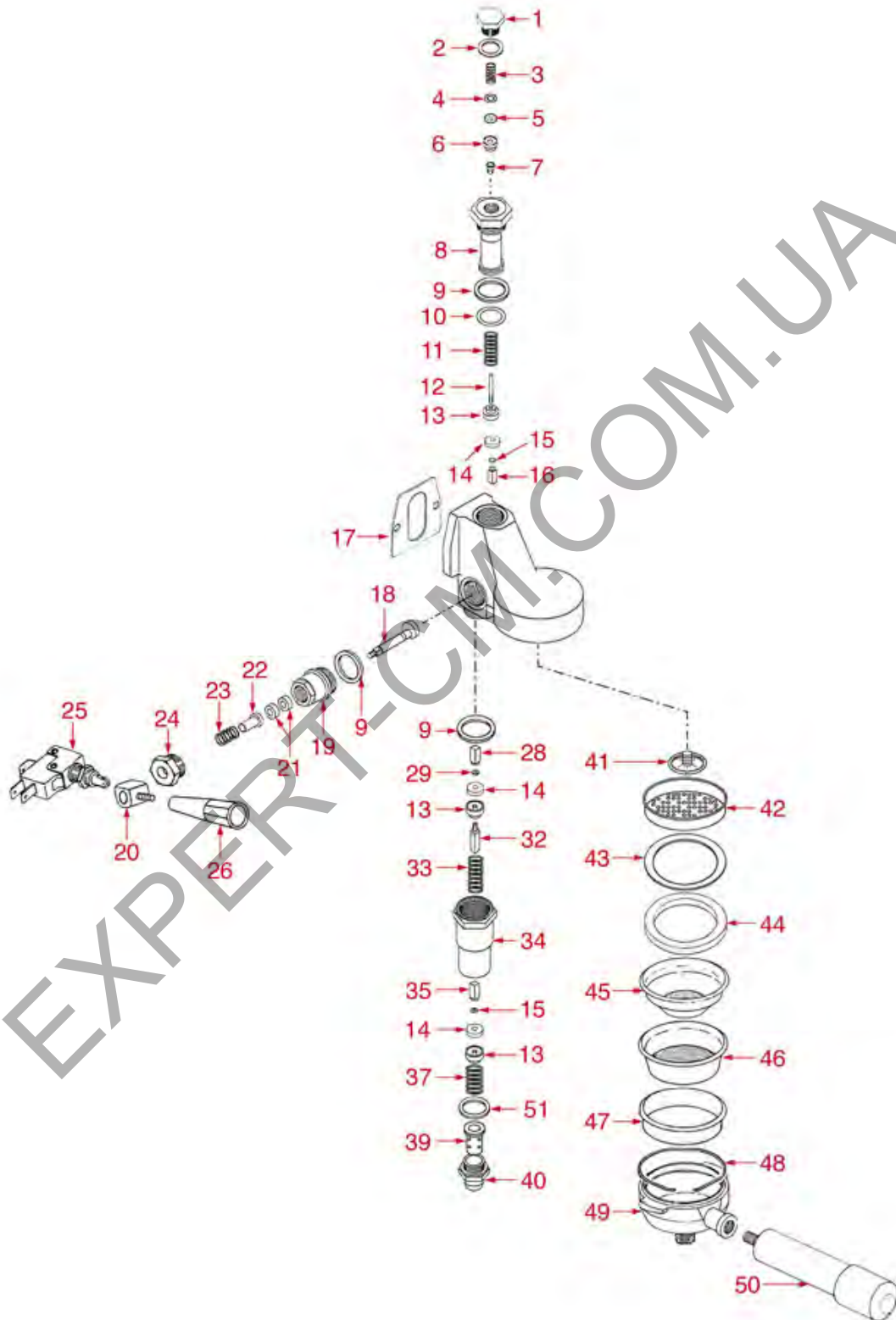




DELIVERY GROUP





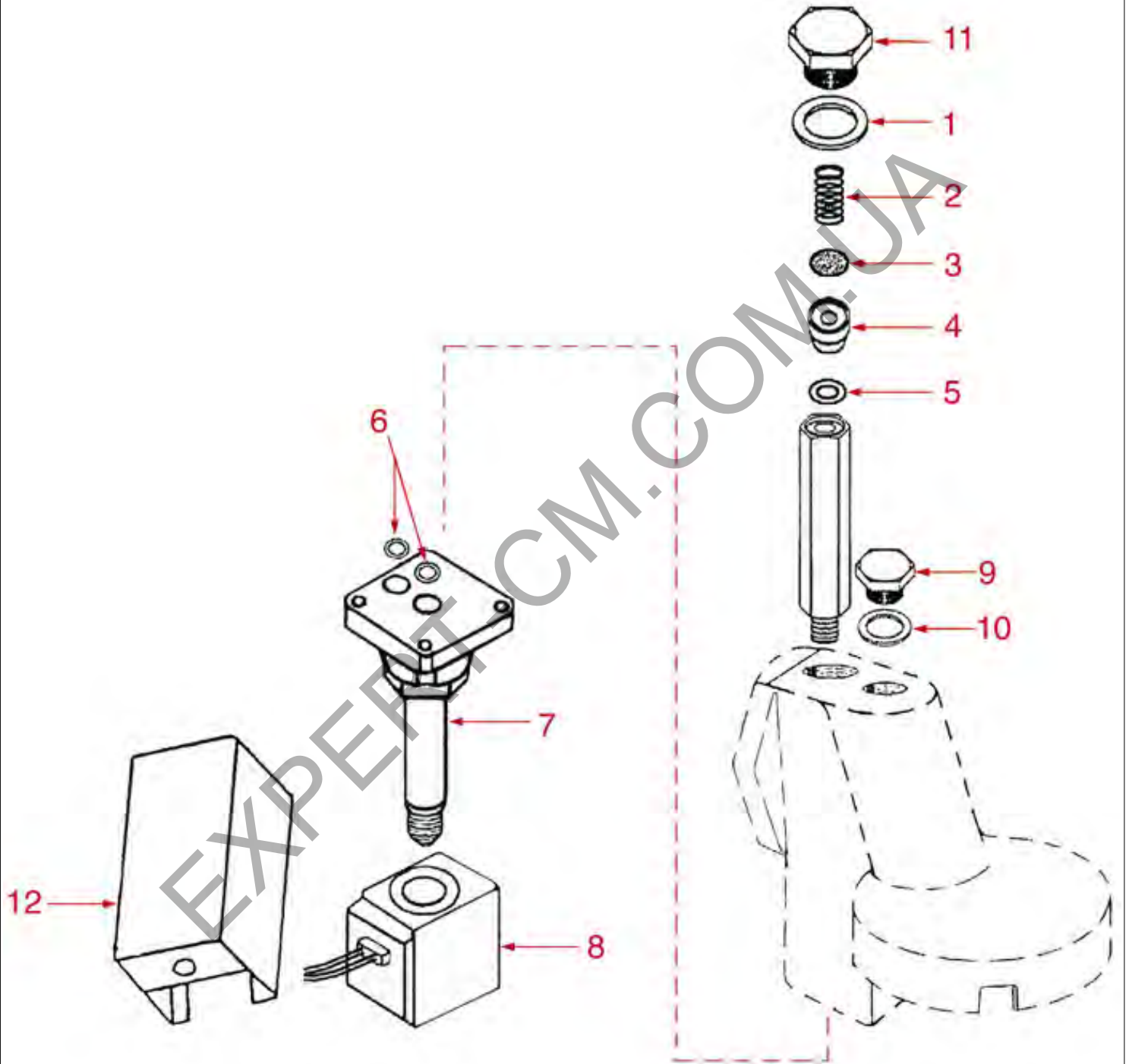
FUTURMAT-ARIETE



Position	LF code no.	Description
1	1439001	CAP ø 16 mm FOR BREW GROUP
2	1186326	TEFLON FLAT GASKET ø 22x16x2 mm
3	1250511	JET SPRING ø 8x20 mm
4	1186306	BRASS WASHER ø 10x5x1 mm
5	1160516	WATER FILTER ø 11 mm
6	1160515	FILTER HOLDER BUSHING
7	1501566	NOZZLE M6x1 HOLE ø 0,5 mm
8	1027016	UPPER CHROMIUM-PLATED SLEEVE
9	1186307	TEFLON FLAT GASKET ø 36x30x2 mm
10	1186472	O-RING 04075 EPDM
11	1250536	SPRING ø 13x42 mm
12	1324013	DELIVERY VALVE PIN
13	1186309	GASKET HOLDER BUSHING
14	1186311	NBR FLAT GASKET ø 13x4x4 mm
15	1186330	BRASS WASHER ø 6x3x0.5 mm
16	1324001	SQUARE PIN 11.1 mm 6x6 mm M3
17	1186502	COFFEE GROUP GASKET 79x71x2 mm
18	1184551	CAM FOR COFFEE GROUP
19	1349506	CAMS CHROMIUM-PLATED FITTING
21	1186312	EPDM FLAT GASKET ø 15.5x7.5x4 mm
22	1186313	CAM GUIDE BUSHING
23	1250516	SPRING ø 15x28 mm
24	1439533	STUFFING GLAND CHROME-PLATED FITTING
25	1240821	MICROSWITCH 10A 250V
26	1241403	BREWING GROUP HANDLE
28	1324033	SQUARE PIN 12.1 mm 6x6 mm M3
29	1186330	BRASS WASHER ø 6x3x0.5 mm
32	1324006	SQUARE PIN 40 mm 5x5 mm M4
33	1250537	SPRING ø 14x45 mm
35	1324007	SQUARE PASS-THR. PIN 6.5 mm 6x6 mm M3
37	1250515	SPRING ø 14x33 mm
39	1390501	DRAIN JET SWIRL
40	1439006	DRAIN CHROMIUM-PLATED FITTING
41	1501561	GROUP SPRAY NOZZLE ø 30 mm M10x1
42	1081016	SHOWER SCREEN ø 60 mm
43	1190001	PAPER SEAL ø 73x59x0.8 mm
44	1186721	FILTER HOLDER GASKET ø 74x57.5x8 mm
44	1186722	FILTER HOLDER GASKET ø 73x57x8 mm
44	1186723	FILTER HOLDER GASKET ø 73x57x8.5 mm
44	1186724	FILTER HOLDER GASKET ø 73x57x9 mm
45	1160060	1 CUP FILTER 6 gr
45	1160062	1 CUP FILTER 7 gr
46	1160061	2 CUPS FILTER 12 gr
46	1160063	2 CUPS FILTER 14 gr
47	1160339	BLIND FILTER
48	1250101	FILTER BLOCKING SPRING ø 1,00 mm INOX
49	1165022	FILTER HOLDER COFFEE MACHINES
50	1241504	FILTER HOLDER HANDLE M12
51	1186117	TEFLON FLAT GASKET ø 26x21x2 mm



SOLENOID ASSEMBLY



FS03



FUTURMAT-ARIETE



Position	LF code no.	Description
1	1186620	COPPER FLAT GASKET \varnothing 22x17x1.5 mm
2	1250402	JET SPRING \varnothing 7x28 mm
3	1160311	WATER FILTER \varnothing 7 mm
4	1501531	NOZZLE \varnothing 8 HOLE \varnothing 0.7 mm
5	1186252	O-RING R3 EPDM
6	1186612	O-RING 02025 VITON
7	1120339	3-WAY MECHANICAL COMPONENT PARKER
8	1120361	COIL PARKER YB09 220/230V 9W 50/60Hz
9	1439004	CAP \varnothing 12 mm FOR BREW GROUP
10	1186262	COPPER FLAT GASKET \varnothing 16x12x1.5 mm
11	1439005	CAP \varnothing 16 mm FOR BREW GROUP
12	1201571	SOLENOID COVER

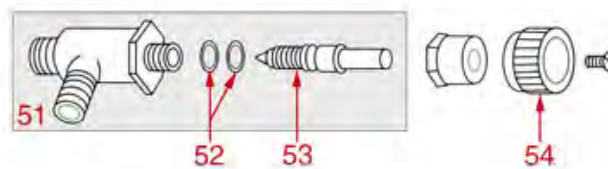
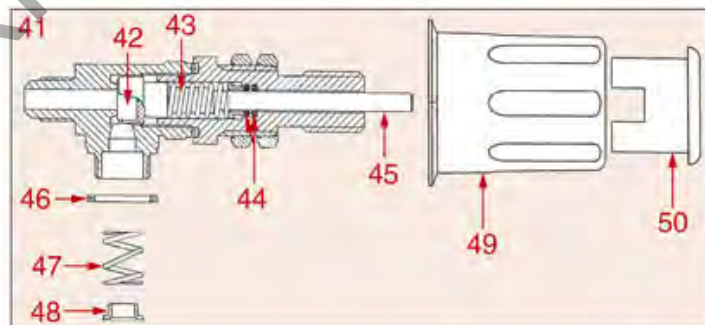
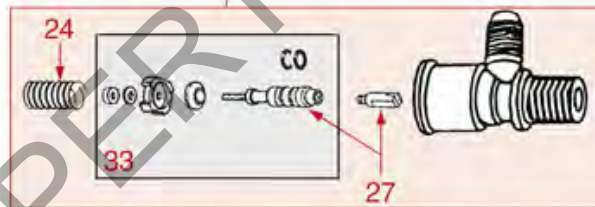
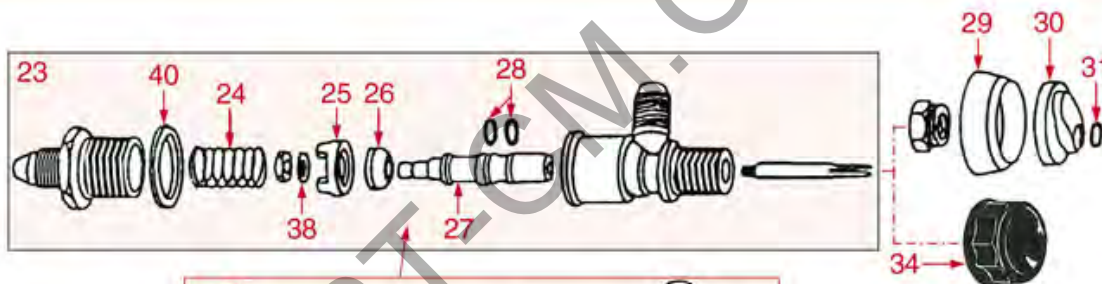
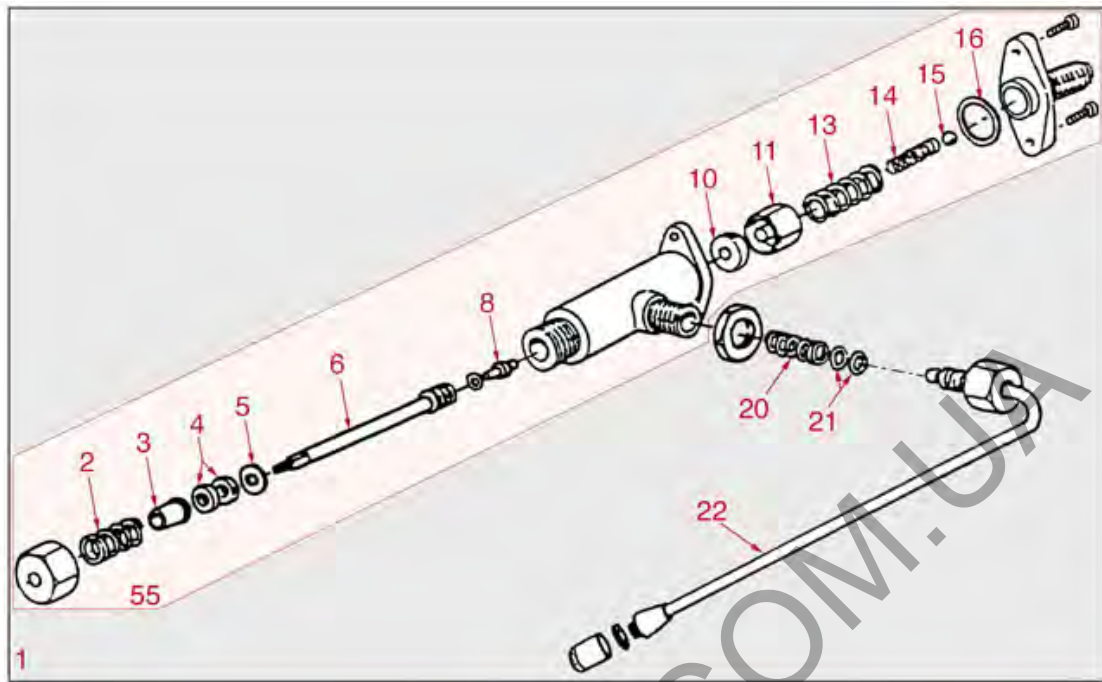
EXPERT-CM.COM.UA



FUTURMAT-ARIETE



INLET TAPS



FS04

Positions without LF code no.: upon request



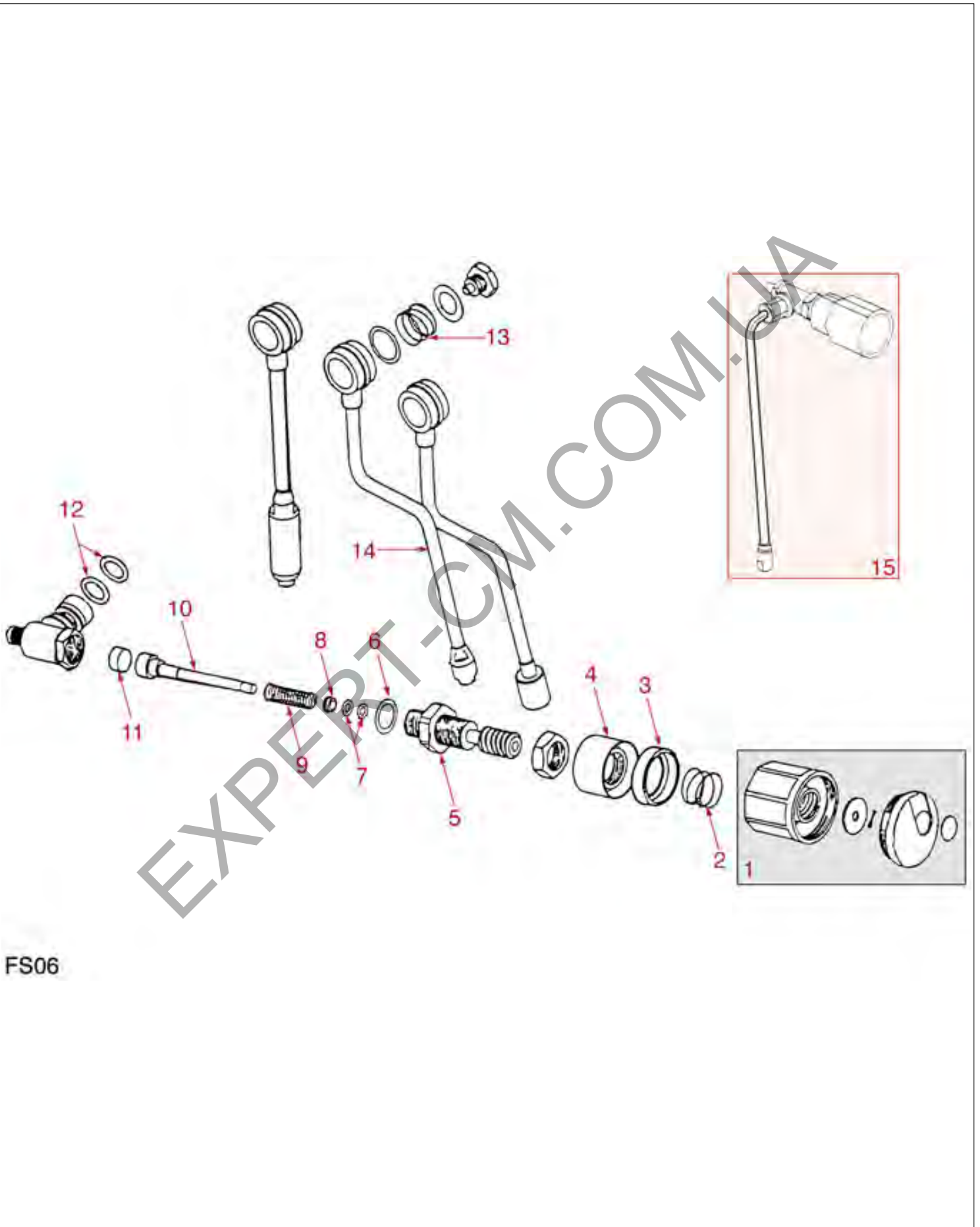
FUTURMAT-ARIETE



Position	LF code no.	Description
1	1348842	STEAM TAP ASSY
2	1250521	SPRING \varnothing 15x17 mm
3	1186322	TAP ROD BUSHING
4	1186312	EPDM FLAT GASKET \varnothing 15.5x7.5x4 mm
5	1186306	BRASS WASHER \varnothing 10x5x1 mm
6	1324086	TAP HANDLE SPINDLE
8	1324026	TAP SPINDLE
10	1186311	NBR FLAT GASKET \varnothing 13x4x4 mm
11	1186122	GASKET HOLDER FOR TAP
13	1250157	TAP SPRING \varnothing 12.5x30 mm
14	1250202	NON-RETURN VALVE SPRING \varnothing 8x30 mm
15	1323003	STAINLESS STEEL BALL \varnothing 8 mm
16	1186323	TEFLON FLAT GASKET \varnothing 24x18x2 mm
20	1250549	SPRING \varnothing 11x25 mm
21	1186556	O-RING R6 EPDM
22	1449856	STEAM PIPE COMPLETE
23	1348306	WATER INLET TAP
24	1250536	SPRING \varnothing 13x42 mm
25	1523419	NON-RETURN VALVE
26	1186128	CONICAL EPDM SEAL \varnothing 12x4x4 mm
27	1324015	PIN FOR INLET VALVE
28	1186252	O-RING R3 EPDM
29	1241487	HANDLE RING
30	1241485	WATER INLET TAP KNOB \varnothing 42 mm
31	1241486	WATER INLET SILK SCREEN PRINTING F. HAND
33	1523503	INLET VALVE
34	1241404	DRAIN TAP KNOB \varnothing 38 mm
38	1186330	BRASS WASHER \varnothing 6x3x0.5 mm
40	1186238	O-RING 04081 EPDM
41	1348841	STEAM TAP
42	1186442	BLIND GASKET \varnothing 12x5.8 mm SILICONE
43	1250415	TAP SPRING \varnothing 10x32 mm
44	1186611	O-RING 02025 RED SILICONE
45	1324066	TAP SPINDLE
46	1186201	TEFLON FLAT GASKET \varnothing 21x16.8x2 mm
47	1250151	SPRING \varnothing 12x15 mm FOR STEAM PIPE
48	1186670	STEAM PIPE BUSHING \varnothing 12x5 mm
49	1241321	WATER/STEAM TAP HANDLE
50	1241322	STEAM CAP FOR KNOB
51	1348474	CUP WARMER TAP
52	3243009	O-RING GASKET 0106 EPDM
53	1324088	CUP WARMER TAP SPINDLE
54	1241484	CUP WARMER KNOB
55	1348057	STEAM TAP



STEAM TAP





FUTURMAT-ARIETE

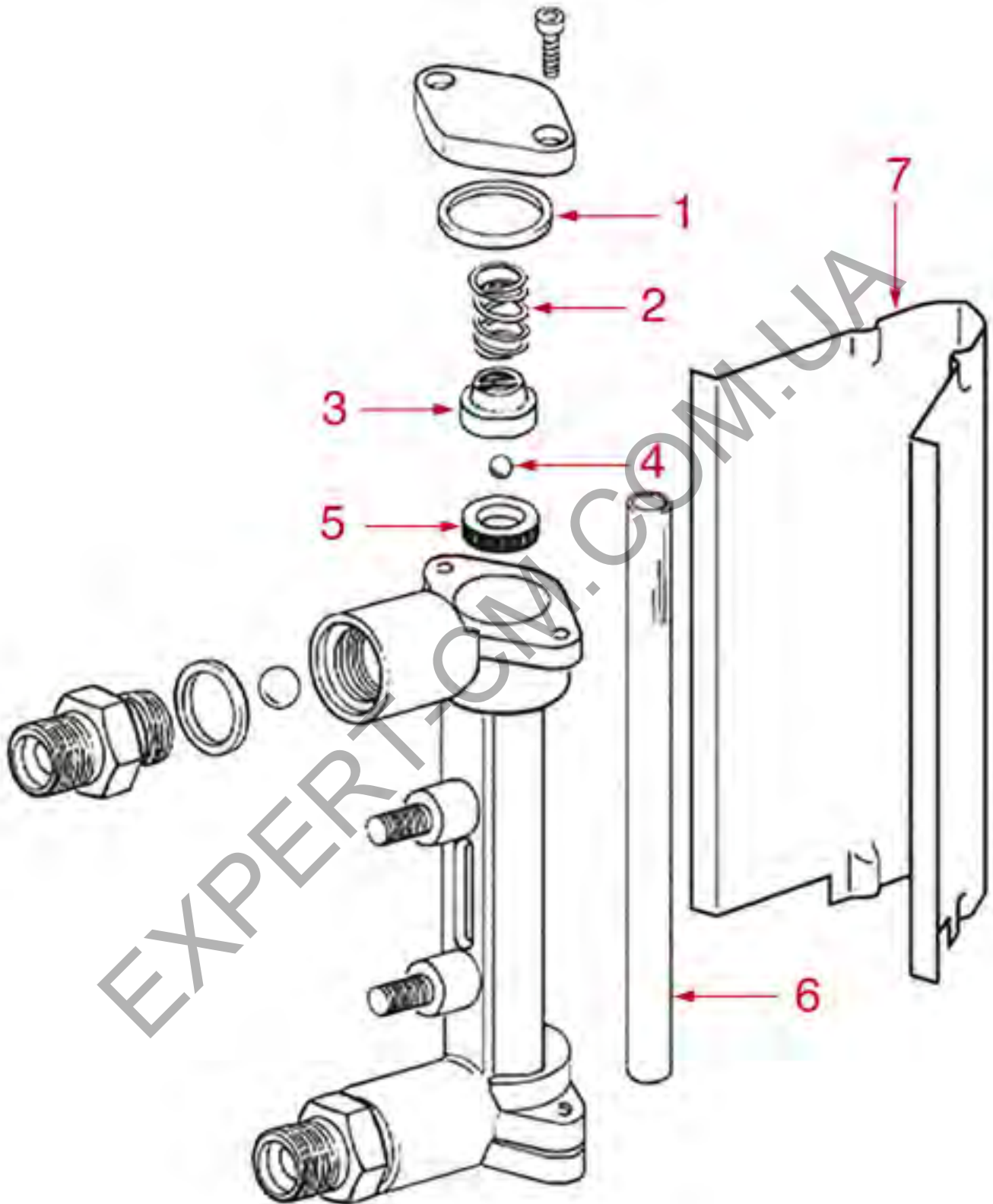


Position	LF code no.	Description
1	1241551	WATER/STEAM TAP KNOB
2	1250179	HANDLE SPRING \varnothing 34x34 mm
3	1186263	WASHER \varnothing 36 mm
4	1241481	HANDLE RING
5	1349406	TAP PIN
6	1186394	ASBESTOS FREE FLAT GASKET \varnothing 22x17x2 mm
7	1186612	O-RING 02025 VITON
8	1186244	SPRING BUSHING
9	1250415	TAP SPRING \varnothing 10x32 mm
10	1324066	TAP SPINDLE
11	1186442	BLIND GASKET \varnothing 12x5.8 mm SILICONE
12	1186414	O-RING 0119 EPDM
13	1250417	SWIVEL SPRING \varnothing 26x14 mm
14	1449845	STEAM PIPE COMPLETE
15	1348471	STEAM TAP ASSEMBLY

EXPERT-CM.COM.UA



SIGHTGLASS ASSEMBLY



FS07

Positions without LF code no.: upon request



FUTURMAT-ARIETE

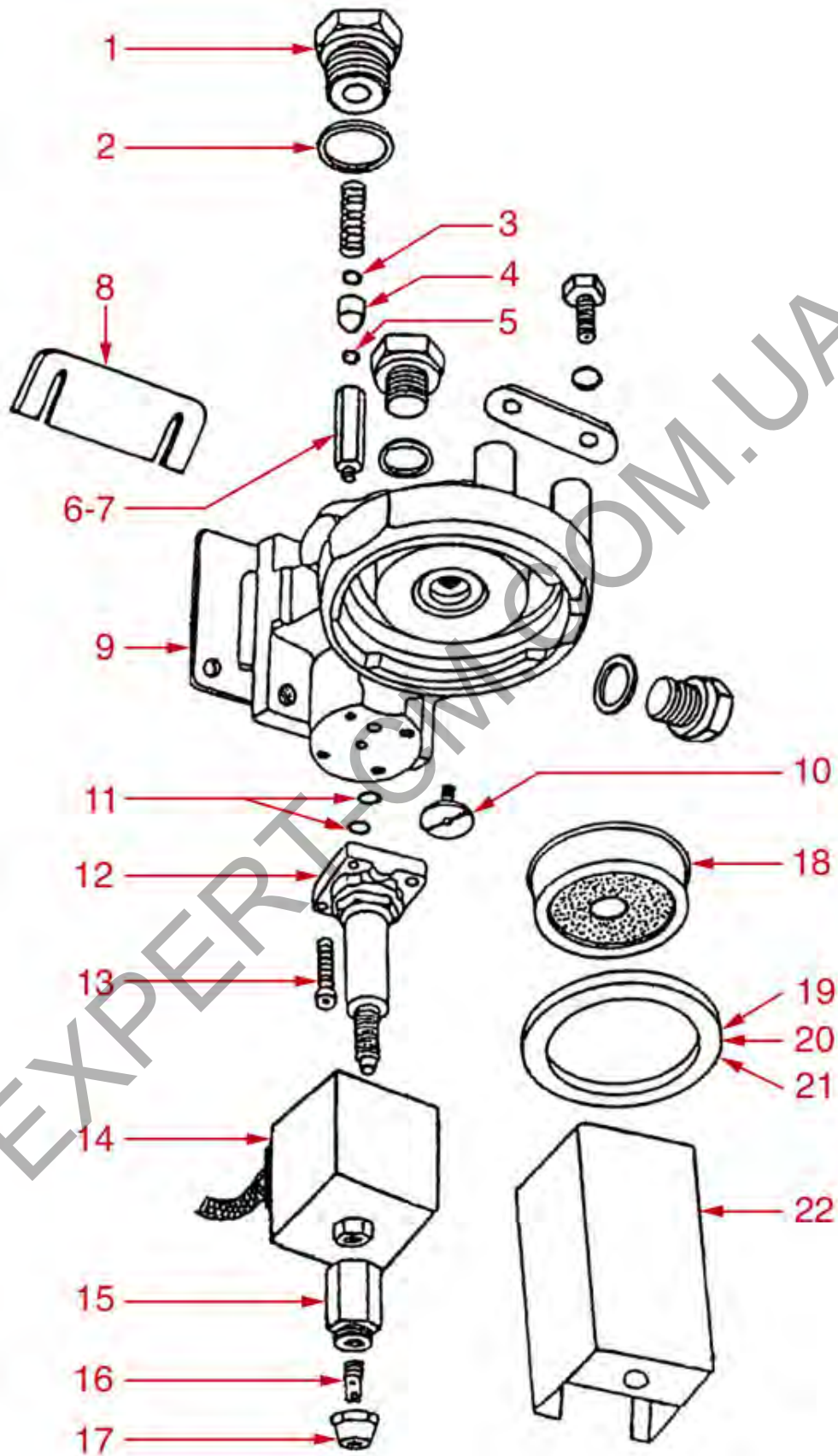


Position	LF code no.	Description
1	1186231	O-RING GASKET 04106 EPDM
2	1250401	LEVEL SPRING \varnothing 22x20 mm
3	1186229	LEVEL GLASS GASKET HOLDER
4	1323001	RED LEVEL BALL
5	1186227	FLAT EPDM GASKET \varnothing 21x11.5x5 mm
6	1520501	LEVEL GLASS \varnothing 12x175 mm
6	1520534	LEVEL GLASS \varnothing 12x107 mm SILK-SCREEN PRIN
7	1201526	LEVEL GAUGE PLATE

EXPERT-CM.COM.UA



BREW GROUP



FS09

Positions without LF code no.: upon request



FUTURMAT-ARIETE

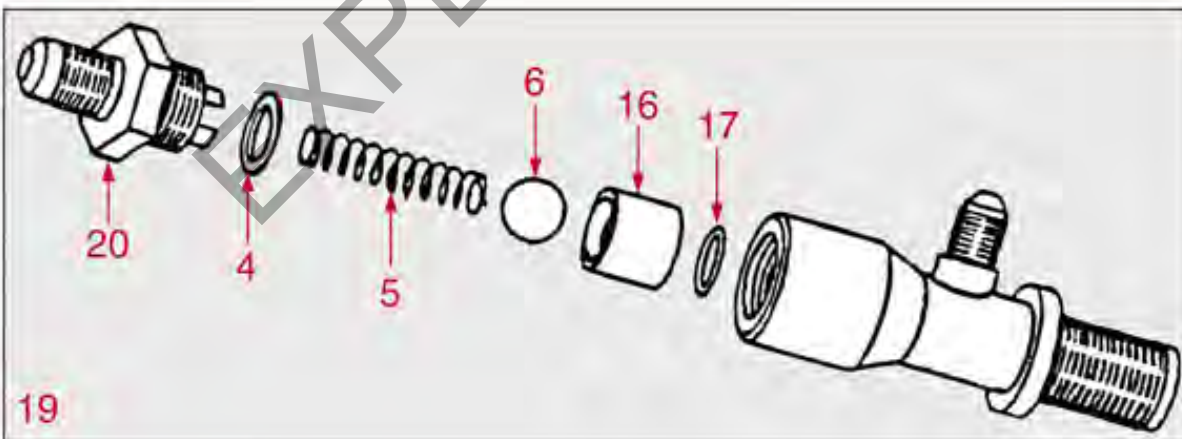
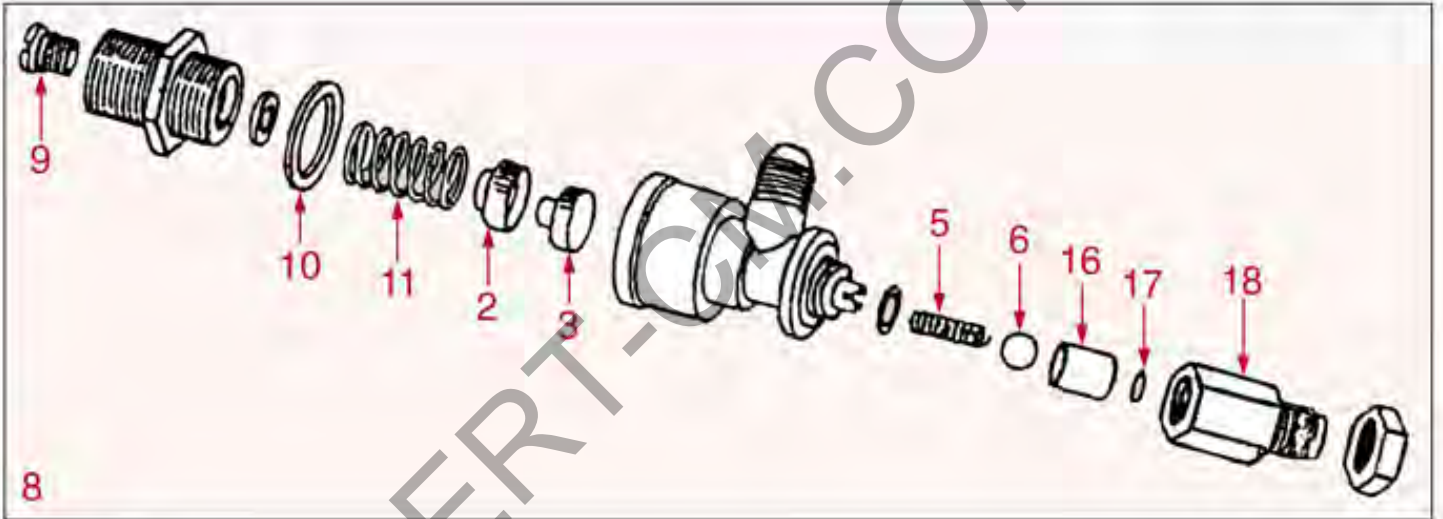
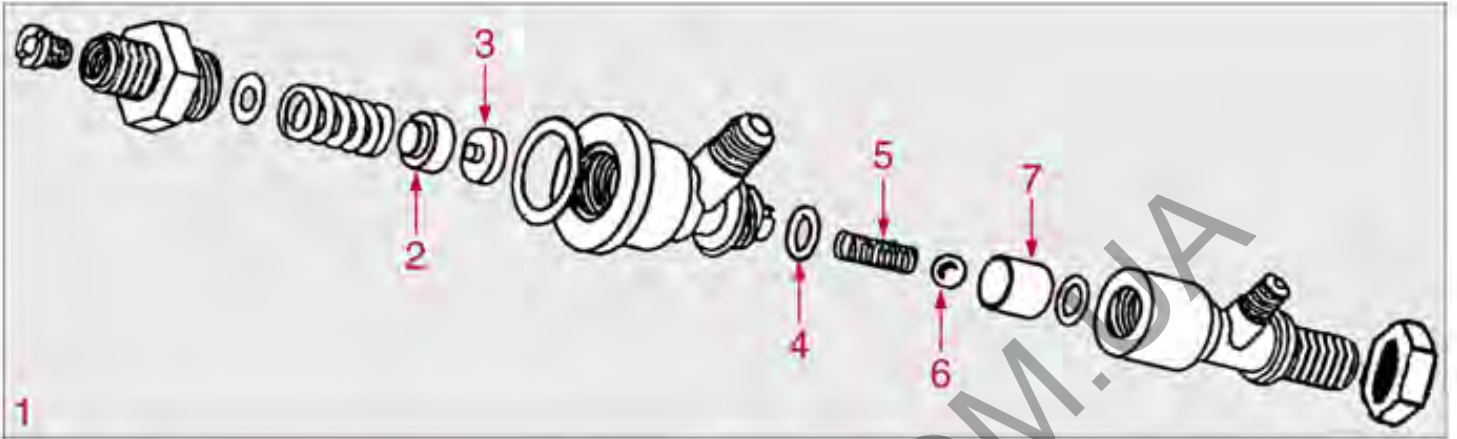


Position	LF code no.	Description
1	1439005	CAP ø 16 mm FOR BREW GROUP
2	1186201	TEFLON FLAT GASKET ø 21x16.8x2 mm
3	1160311	WATER FILTER ø 7 mm
4	1501531	NOZZLE ø 8 HOLE ø 0.7 mm
5	1186252	O-RING R3 EPDM
6	1324051	SHORT PIN M6
7	1324052	SHORT PIN M8
8	1186524	COFFEE GROUP GASKET 80x21x2 mm
9	1186172	COFFEE GROUP GASKET 80x72 mm
10	1501565	GROUP SPRAY NOZZLE ø 21 mm M5x1
11	1186612	O-RING 02025 VITON
12	1120339	3-WAY MECHANICAL COMPONENT PARKER
13	1455034	S/S SCREW T.C.C.E.I M4x10 UNI 5931
14	1120361	COIL PARKER YB09 220/230V 9W 50/60Hz
15	1349404	OUTLET FITTING
16	1349405	DRAIN JET SWIRL
17	1349403	DRAIN CHROMIUM-PLATED FITTING
18	1081016	SHOWER SCREEN ø 60 mm
19	1186722	FILTER HOLDER GASKET ø 73x57x8 mm
20	1186723	FILTER HOLDER GASKET ø 73x57x8.5 mm
21	1186724	FILTER HOLDER GASKET ø 73x57x9 mm
22	1201572	MANUAL SOLENOID COVER

EXPERT-CM.COM.UA



EXPANSION/RETENTION VALVE



FS11



FUTURMAT-ARIETE



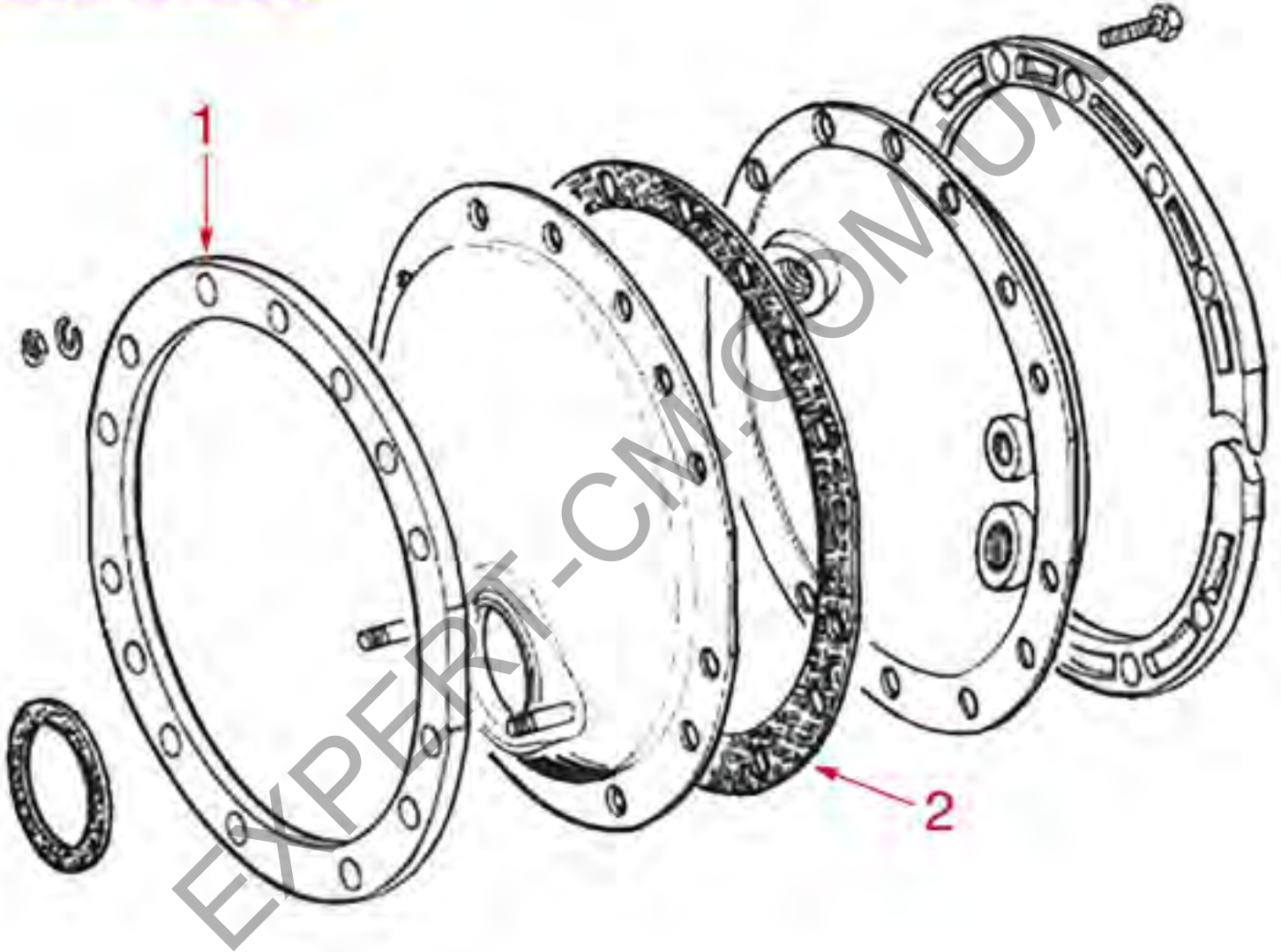
Position	LF code no.	Description
1	1523526	EXPANSION AND NON-RETURN VALVE
2	1186131	GASKET HOLDER FOR TAP
3	1186129	FLAT EPDM GASKET \varnothing 15/6x10 mm
4	1186346	O-RING 02043 EPDM
5	1250202	NON-RETURN VALVE SPRING \varnothing 8x30 mm
6	1323415	STAINLESS STEEL BALL \varnothing 11 mm
8	1523527	EXPANSION AND NON-RETURN VALVE
10	1186238	O-RING 04081 EPDM
11	1250517	SPRING \varnothing 15.5x29 mm
17	1186422	O-RING 0108 EPDM
19	1523529	NON-RETURN VALVE
20	1349407	TAP FITTING

EXPERT-CM.COM.UA



BOILER FLANGE

ARIETE E61



FS12



FUTURMAT-ARIETE

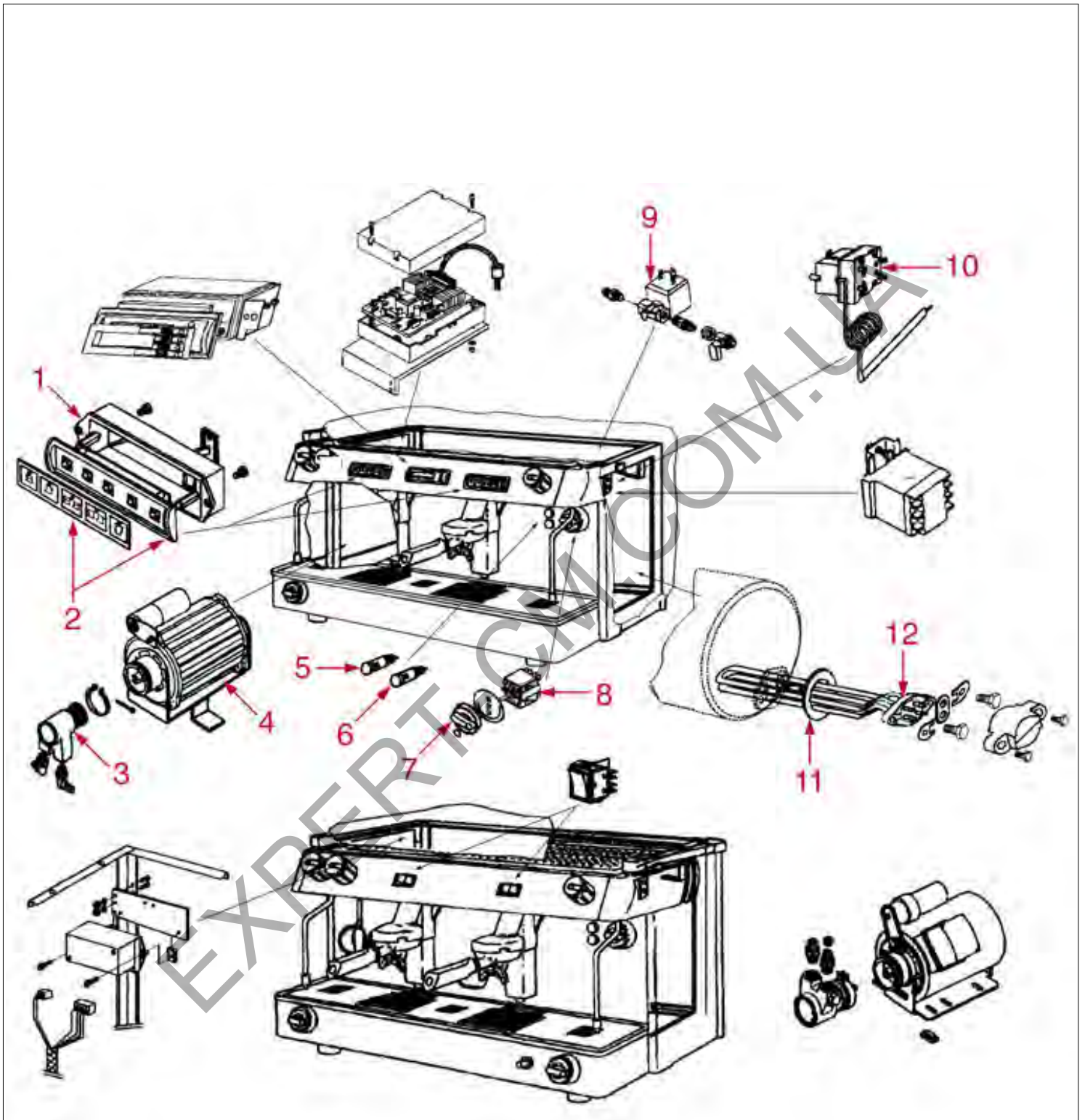


Position	LF code no.	Description
1	1048103	ALUMINIUM FLANGE-COVER 16 HOLES
2	1186552	BOILER GASKET \varnothing 243x205x3 mm

EXPERT-CM.COM.UA



ELECTRIC COMPONENTS



FS18



FUTURMAT-ARIETE



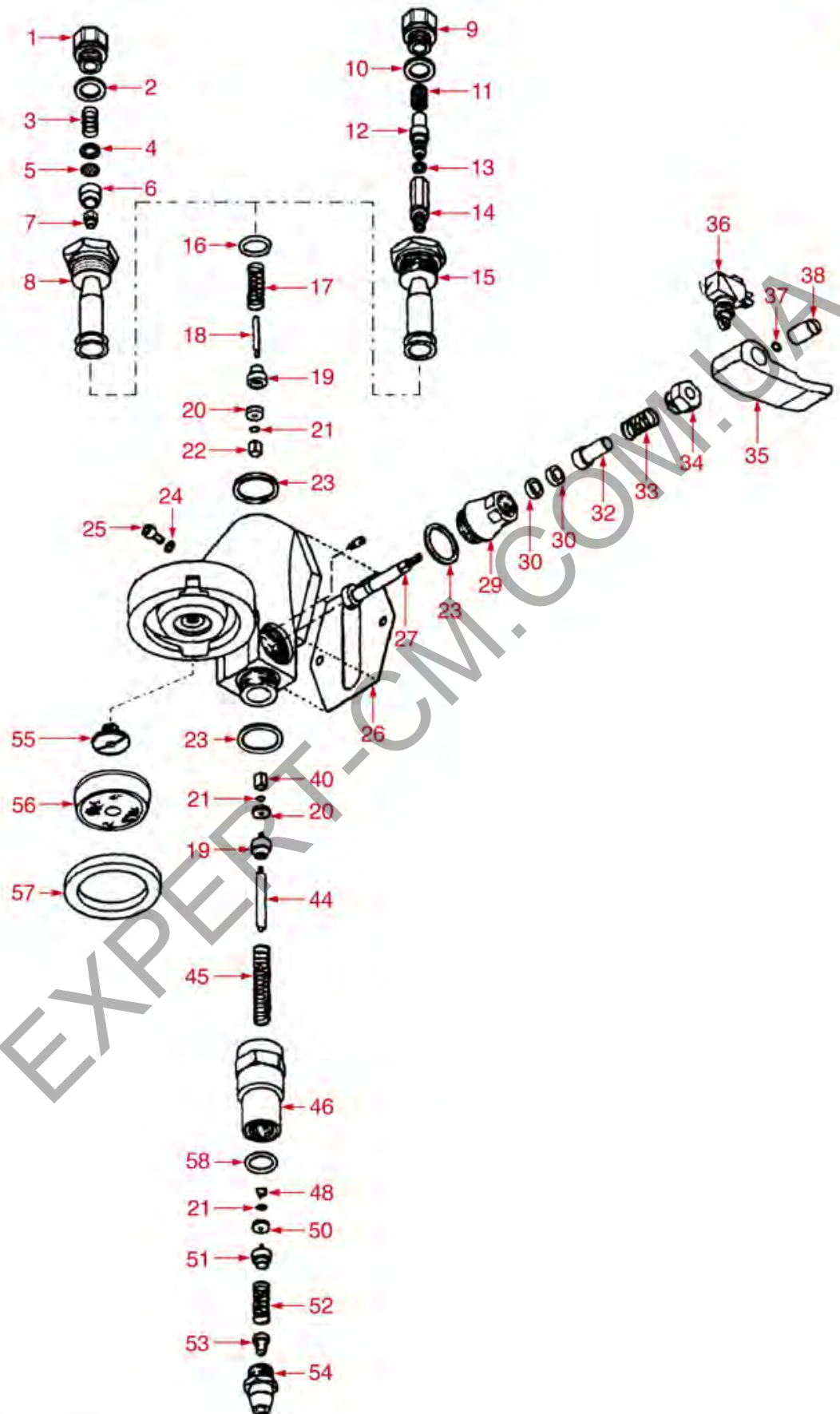
Position	LF code no.	Description
1	1319062	BOX FOR PUSH-BUTTON PANEL
2	1319061	PUSH-BUTTON PANEL 5 BUTTONS
3	1330002	ROTARY VANE PUMP ROTOFLOW \varnothing 3/8" NPT
4	1240702	MOTOR RPM WITH CLAMP CONNECTION 165W
5	1221302	ORANGE INDICATOR LAMP 250V
6	1221301	RED INDICATOR LAMP 250V
7	1241429	SELECTOR SWITCH KNOB
8	1319031	SELECTOR SWITCH 0-2 POSITIONS 16A 250V
9	1120308	2-WAY SOLENOID VALVE SIRAI 230V 50Hz
10	1444509	THREE-PHASE THERMOSTAT 169°C
11	1186179	TEFLON FLAT GASKET \varnothing 57x42x3 mm
12	1755107	HEATING ELEMENT 2600W 220V
12	1755108	HEATING ELEMENT 3700W 220V
12	1755109	HEATING ELEMENT 5000W 220V

EXPERT-CM.COM.UA



ARIETE GROUP

ARIETE



FS19

Positions without LF code no.: upon request



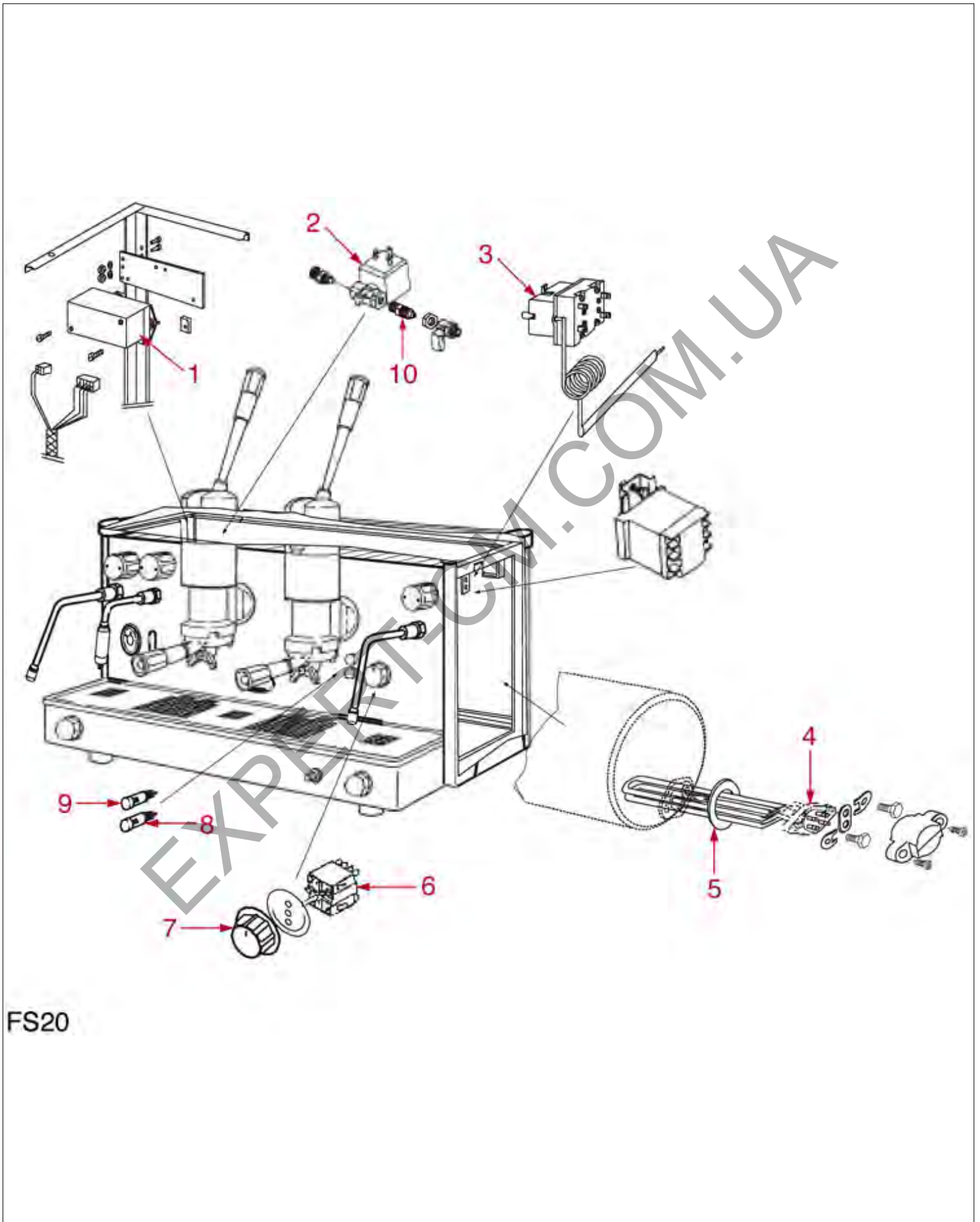
FUTURMAT-ARIETE



Position	LF code no.	Description
1	1439001	CAP ø 16 mm FOR BREW GROUP
2	1186326	TEFLON FLAT GASKET ø 22x16x2 mm
3	1250511	JET SPRING ø 8x20 mm
4	1186306	BRASS WASHER ø 10x5x1 mm
5	1160516	WATER FILTER ø 11 mm
6	1160515	FILTER HOLDER BUSHING
7	1501566	NOZZLE M6x1 HOLE ø 0,5 mm
11	1160507	WATER FILTER ø 8.5x15 mm
12	1501570	NOZZLE GROUP
13	1186514	O-RING 02015 SILICON
14	1324084	INJECTOR SUPPORT
16	1186472	O-RING 04075 EPDM
17	1250536	SPRING ø 13x42 mm
18	1324013	DELIVERY VALVE PIN
19	1186309	GASKET HOLDER BUSHING
20	1186311	NBR FLAT GASKET ø 13x4x4 mm
21	1186330	BRASS WASHER ø 6x3x0.5 mm
22	1324001	SQUARE PIN 11.1 mm 6x6 mm M3
23	1186307	TEFLON FLAT GASKET ø 36x30x2 mm
27	1184551	CAM FOR COFFEE GROUP
29	1349506	CAMS CHROMIUM-PLATED FITTING
30	1186312	EPDM FLAT GASKET ø 15.5x7.5x4 mm
32	1186313	CAM GUIDE BUSHING
33	1250516	SPRING ø 15x28 mm
35	1225501	INLET TAP LEVER
38	1528013	BLIND HEXAGONAL NUT M6 UNI 5721
40	1324033	SQUARE PIN 12.1 mm 6x6 mm M3
44	1324006	SQUARE PIN 40 mm 5x5 mm M4
45	1250537	SPRING ø 14x45 mm
46	1027002	OUTLET CHROMIUM-PLATED SLEEVE
48	1324007	SQUARE PASS-THR. PIN 6.5 mm 6x6 mm M3
52	1250515	SPRING ø 14x33 mm
53	1390501	DRAIN JET SWIRL
54	1439006	DRAIN CHROMIUM-PLATED FITTING
55	1501561	GROUP SPRAY NOZZLE ø 30 mm M10x1
56	1081016	SHOWER SCREEN ø 60 mm
57	1186722	FILTER HOLDER GASKET ø 73x57x8 mm
58	1186117	TEFLON FLAT GASKET ø 26x21x2 mm



ELECTRIC COMPONENTS



FS20



FUTURMAT-ARIETE

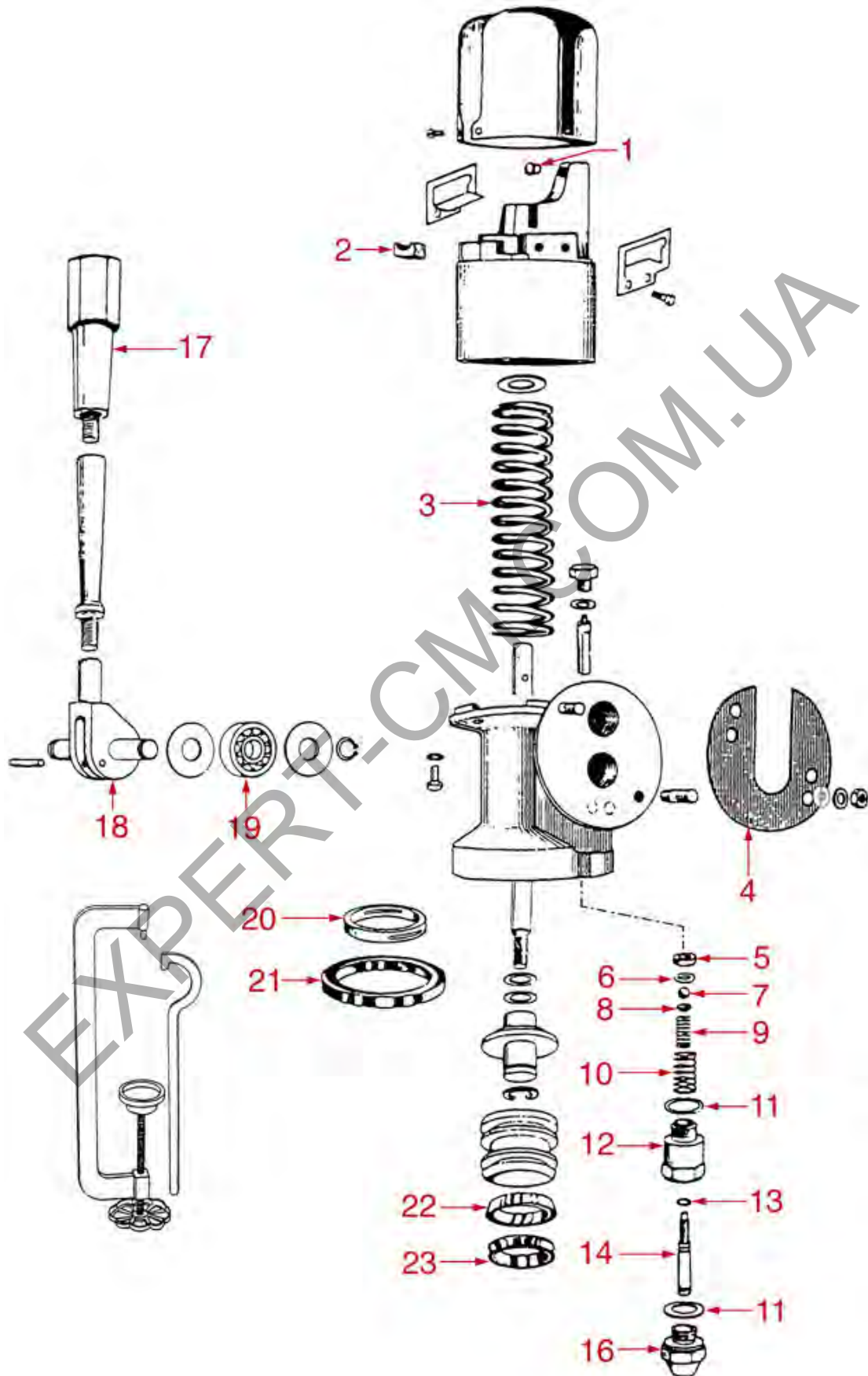


Position	LF code no.	Description
1	1341200	LEVEL REGULATOR 230V 50/60Hz 5A
2	1120308	2-WAY SOLENOID VALVE SIRAI 230V 50Hz
3	1444509	THREE-PHASE THERMOSTAT 169°C
4	1755107	HEATING ELEMENT 2600W 220V
4	1755108	HEATING ELEMENT 3700W 220V
4	1755109	HEATING ELEMENT 5000W 220V
5	1186179	TEFLON FLAT GASKET \varnothing 57x42x3 mm
6	1319031	SELECTOR SWITCH 0-2 POSITIONS 16A 250V
7	1241409	SELECTOR SWITCH KNOB BLACK
8	1221301	RED INDICATOR LAMP 250V
9	1221302	ORANGE INDICATOR LAMP 250V
10	1349408	CONICAL COUPLING

EXPERT-CM.COM.UA



LEVER GROUP



FS23

Positions without LF code no.: upon request



FUTURMAT-ARIETE

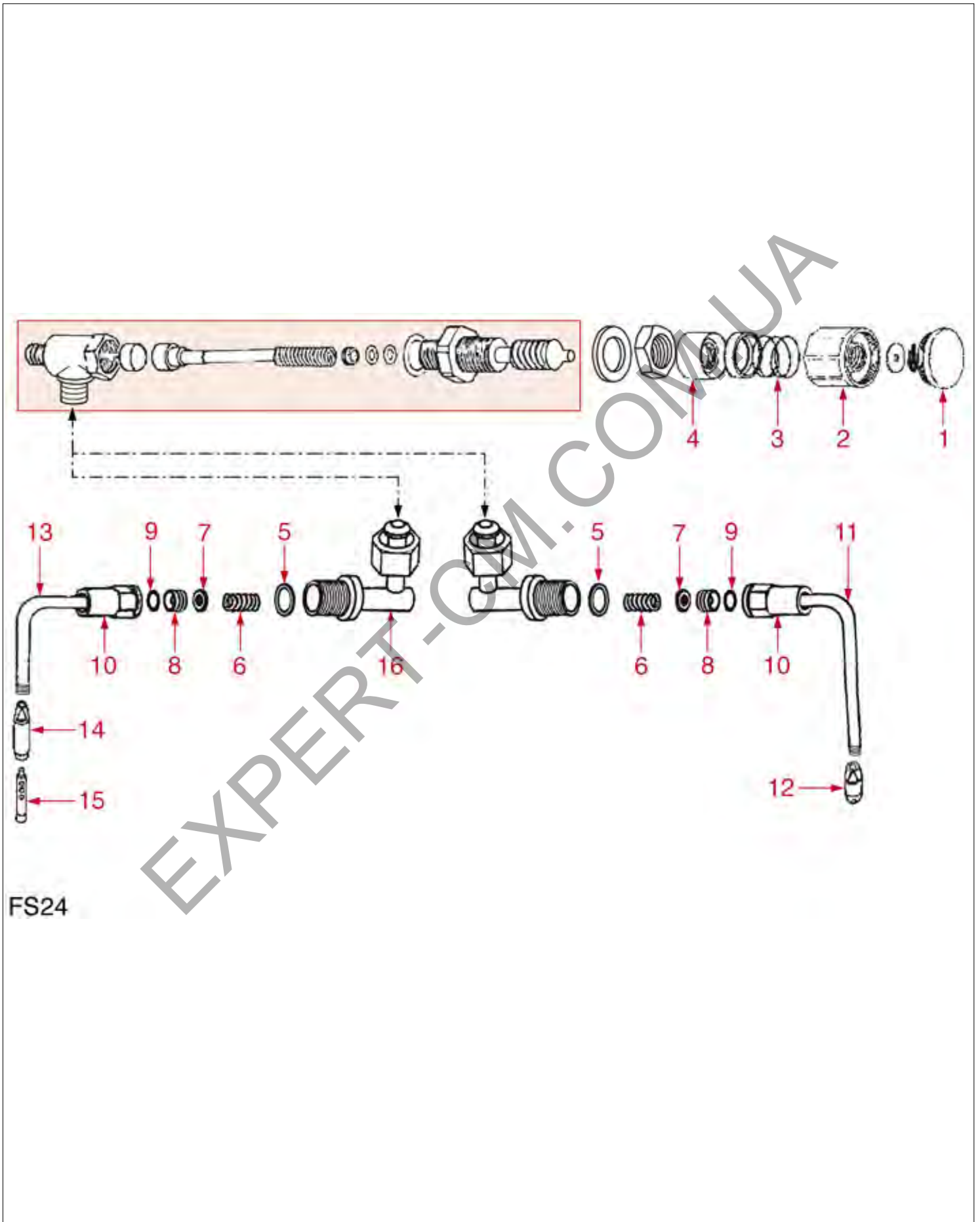


Position	LF code no.	Description
1	1186254	RUBBER SHOCK ABSORBER
2	1186258	RUBBER SHOCK ABSORBER
3	1250407	LEVER GROUP SPRING
4	1186259	COFFEE GROUP GASKET \varnothing 86x1 mm
5	1186369	EPDM FLAT GASKET \varnothing 15x5.5x4 mm
6	1186260	GASKET HOLDER BUSHING
8	1186272	SPRING GUIDE BUSHING
9	1250112	INLET TAP SPRING \varnothing 8x20 mm
10	1250160	PIN SPRING \varnothing 14x23 mm
11	1186394	ASBESTOS FREE FLAT GASKET \varnothing 22x17x2 mm
13	1186903	O-RING 02021 - RED SILICON
17	1241483	FILTER HOLDER HANDLE M12
19	1063906	BEARING 6203 2Z
20	1081250	SHOWER SCREEN \varnothing 57 mm
21	1186722	FILTER HOLDER GASKET \varnothing 73x57x8 mm
22	1186277	LIP SEAL \varnothing 52x37x7.5 mm
23	1186816	LIP SEAL \varnothing 50x38x7.5 mm

EXPERT-CM.COM.UA



WATER/STEAM TAP



FS24



FUTURMAT-ARIETE

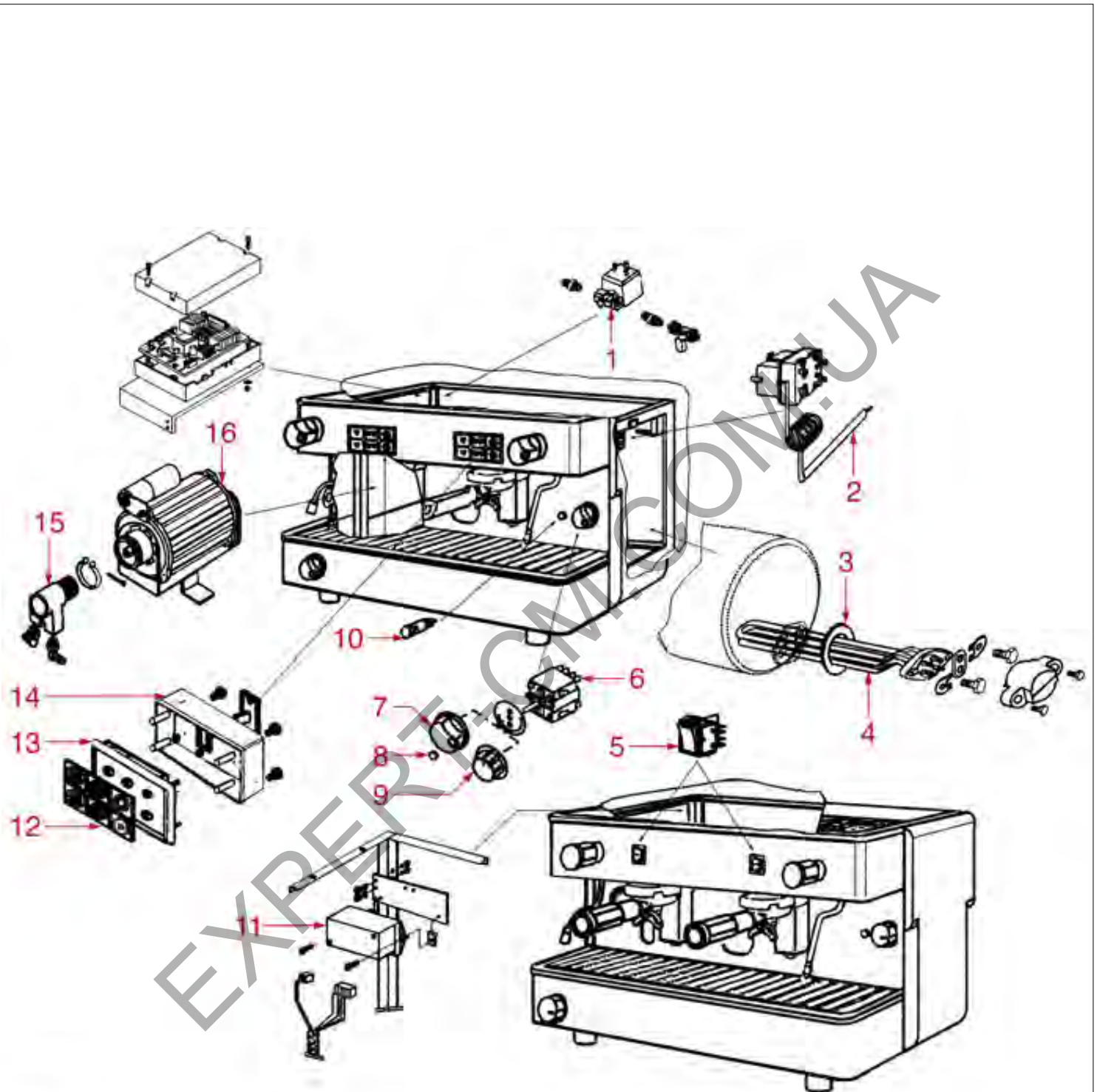


Position	LF code no.	Description
1	1241405	KNOB RING NUT
2	1241402	WATER/STEAM TAP HANDLE
2	1241434	WATER/STEAM TAP KNOB
3	1250179	HANDLE SPRING \varnothing 34x34 mm
4	1241481	HANDLE RING
5	1186314	TEFLON FLAT GASKET \varnothing 22x17x2 mm
6	1250549	SPRING \varnothing 11x25 mm
7	1186283	BRASS WASHER \varnothing 15x7x2.5 mm.
8	1186176	CONICAL TEFLON SEAL \varnothing 15x8x7 mm
9	1186346	O-RING 02043 EPDM
10	1348476	NUT FOR WATER/STEAM PIPE
12	1449336	STEAM NOZZLE
13	1449859	WATER PIPE
14	1449855	WATER PIPE NOZZLE M8 \varnothing 18 mm
15	1449858	WATER PIPE NOZZLE
16	1349409	WATER/STEAM PIPE COUPLING

EXPERT-CM.COM.UA



ELECTRIC COMPONENTS



FS26



FUTURMAT-ARIETE

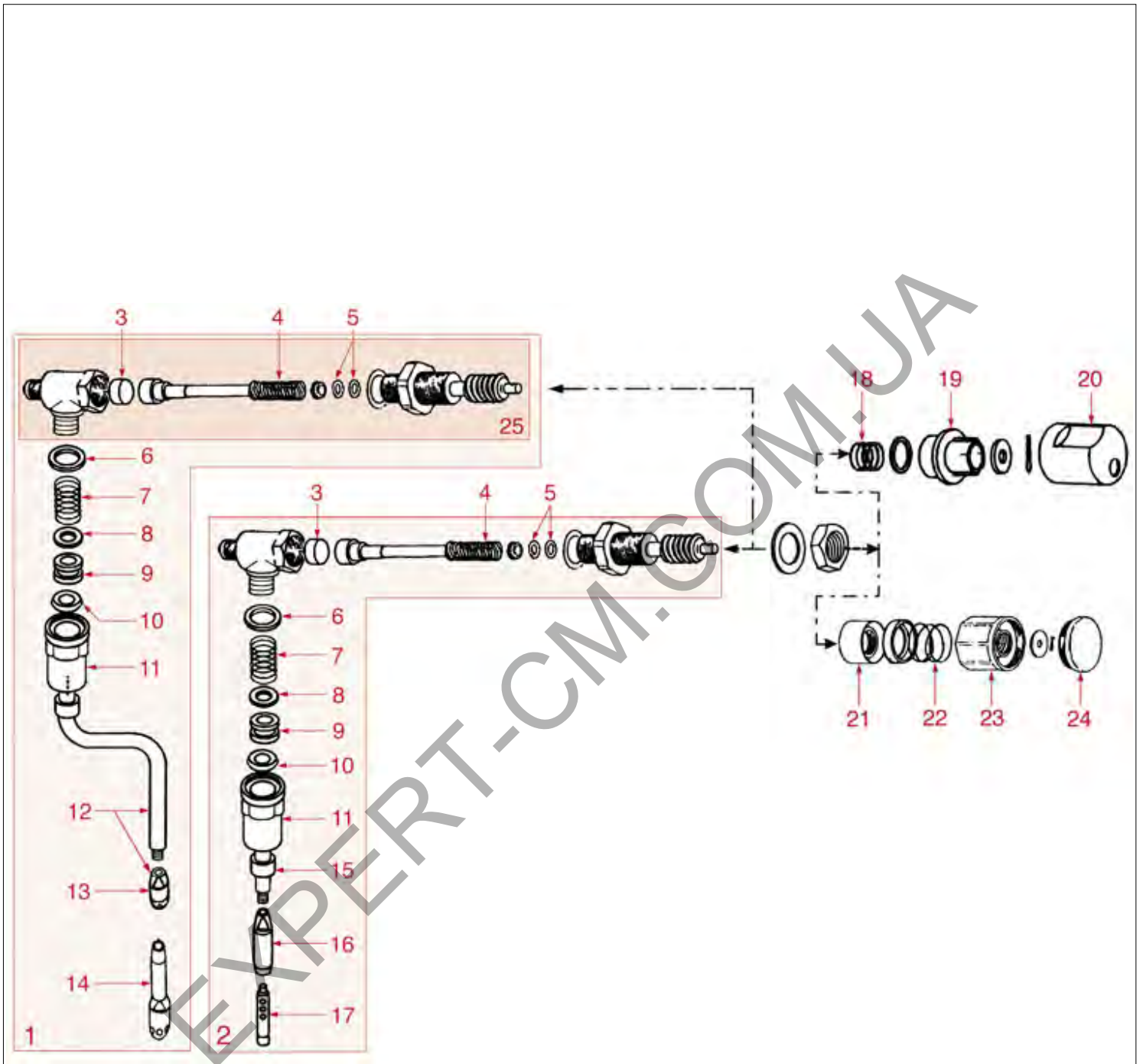


Position	LF code no.	Description
1	1120308	2-WAY SOLENOID VALVE SIRAI 230V 50Hz
2	1444509	THREE-PHASE THERMOSTAT 169°C
3	1186179	TEFLON FLAT GASKET \varnothing 57x42x3 mm
4	1755107	HEATING ELEMENT 2600W 220V
4	1755136	HEATING ELEMENT 3000W 230V
5	1319035	WHITE BIPOLAR SWITCH 16A 250V
6	1319031	SELECTOR SWITCH 0-2 POSITIONS 16A 250V
7	1241430	KNOB \varnothing 42 mm
8	1241378	SILK SCREEN PRINTING FLASH F.HANDLE
9	1241409	SELECTOR SWITCH KNOB BLACK
10	1221301	RED INDICATOR LAMP 250V
11	1341200	LEVEL REGULATOR 230V 50/60Hz 5A
12	1319064	PUSH-BUTTON PANEL MEMBRANE 6 BUTTONS
12	1319069	PUSH-BUTTON PANEL MEMBRANE 6 BUTTONS
12	1319070	PUSH-BUTTON PANEL MEMBRANE 6 BUTTONS
12	1319075	PUSH-BUTTON PANEL MEMBRANE 6 BUTTONS
13	1319065	PUSH-BUTTON PANEL 5 BUTTONS
14	1319068	BOX FOR PUSH-BUTTON PANEL
15	1330002	ROTARY VANE PUMP ROTOFLOW \varnothing 3/8" NPT
16	1240702	MOTOR RPM WITH CLAMP CONNECTION 165W

EXPERT-CM.COM.UA



WATER/STEAM TAP



FS28



FUTURMAT-ARIETE



Position	LF code no.	Description
1	1348472	STEAM TAP ASSEMBLY
2	1348473	WATER TAP ASSEMBLY
3	1186442	BLIND GASKET \varnothing 12x5.8 mm SILICONE
4	1250415	TAP SPRING \varnothing 10x32 mm
5	1186612	O-RING 02025 VITON
6	1186314	TEFLON FLAT GASKET \varnothing 22x17x2 mm
7	1250549	SPRING \varnothing 11x25 mm
8	1186283	BRASS WASHER \varnothing 15x7x2.5 mm.
9	1186176	CONICAL TEFLON SEAL \varnothing 15x8x7 mm
10	1186346	O-RING 02043 EPDM
11	1348476	NUT FOR WATER/STEAM PIPE
12	1449853	STEAM PIPE COMPLETE
13	1449336	STEAM NOZZLE
15	1449854	FITTING FOR WATER PIPE
16	1449855	WATER PIPE NOZZLE M8 \varnothing 18 mm
17	1449858	WATER PIPE NOZZLE
18	1250510	HANDLE SPRING \varnothing 29x30 mm
19	1241371	HANDLE RING
20	1241372	WATER/STEAM TAP KNOB
21	1241481	HANDLE RING
22	1250179	HANDLE SPRING \varnothing 34x34 mm
23	1241402	WATER/STEAM TAP HANDLE
24	1241405	KNOB RING NUT
25	1348477	WATER/STEAM TAP

EXPERT-CM.COM.UA



ACCESSORIES



FS29



FUTURMAT-ARIETE

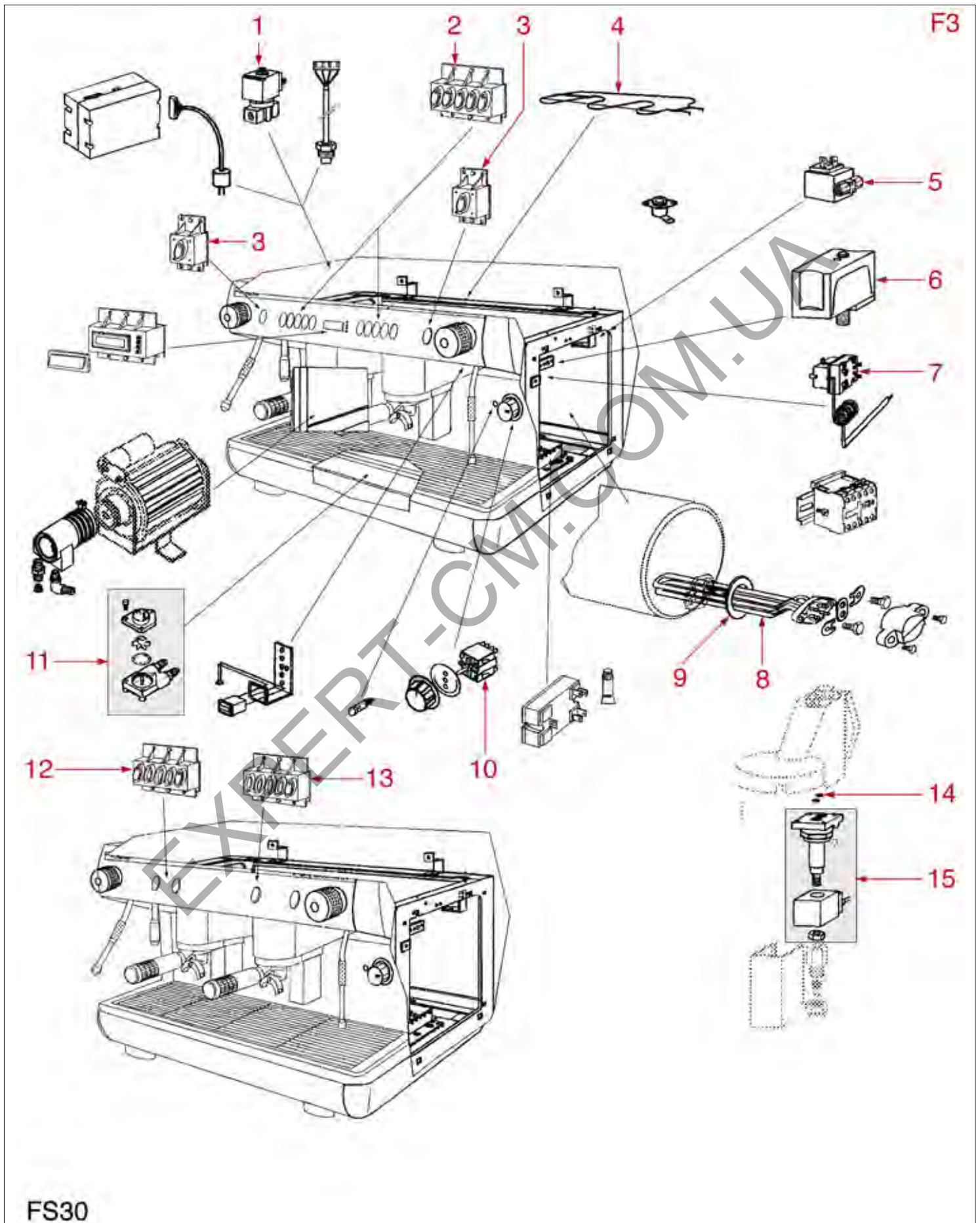


Position	LF code no.	Description
1	1250101	FILTER BLOCKING SPRING \varnothing 1,00 mm INOX
2	1165022	FILTER HOLDER COFFEE MACHINES
3	1241483	FILTER HOLDER HANDLE M12
4	1022502	DOUBLE SPOUT \varnothing 3/8"
5	1022503	STRAIGHT SINGLE SPOUT \varnothing 3/8"
6	1022501	SINGLE SPOUT \varnothing 3/8"
7	1165036	FILTER HOLDER COFFEE MACHINES
8	1241482	FILTER HOLDER HANDLE
9	1528531	HANDLE SCREW
10	1160061	2 CUPS FILTER 12 gr
10	1160063	2 CUPS FILTER 14 gr
11	1160339	BLIND FILTER
12	1160060	1 CUP FILTER 6 gr
12	1160062	1 CUP FILTER 7 gr

EXPERT-CM.COM.UA



ELECTRIC COMPONENTS



Positions without LF code no.: upon request



FUTURMAT-ARIETE



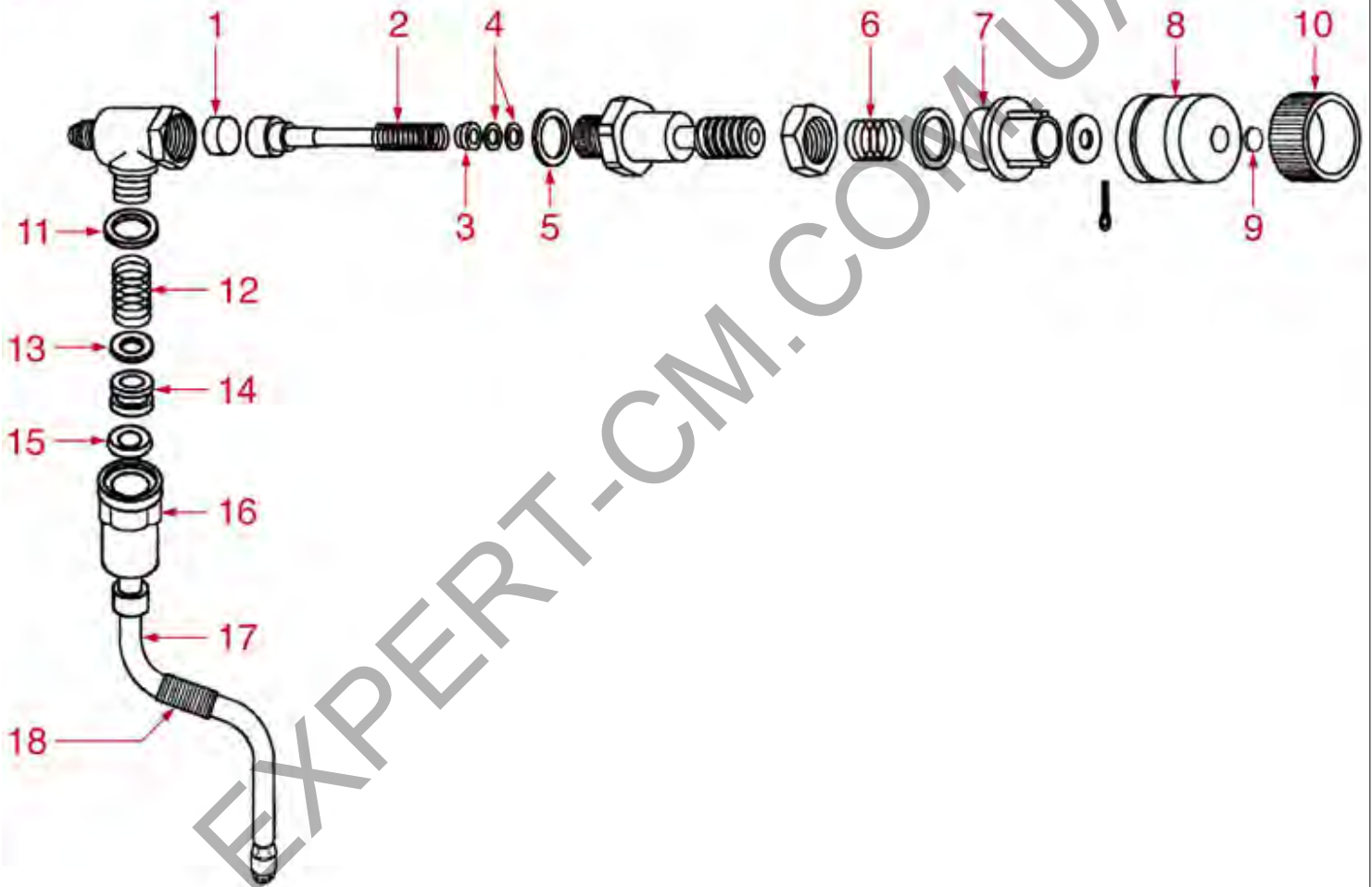
Position	LF code no.	Description
1	1120354	2-WAY SOLENOID VALVE PARKER 230V 50/60Hz
2	1319076	PUSH-BUTTON PANEL 5 BUTTONS
3	1319079	PUSH-BUTTON PANEL 1 BUTTON
5	1120355	2-WAY SOLENOID VALVE PARKER 230V 50/60Hz
6	1320531	PRESSURE SWITCH P302/6 3-POLES 30A
7	1444509	THREE-PHASE THERMOSTAT 169°C
8	1755107	HEATING ELEMENT 2600W 220V
8	1755108	HEATING ELEMENT 3700W 220V
8	1755109	HEATING ELEMENT 5000W 220V
9	1186179	TEFLON FLAT GASKET ø 57x42x3 mm
10	1319031	SELECTOR SWITCH 0-2 POSITIONS 16A 250V
11	1455351	VOLUMETRIC FLOWMETER GICAR
12	1319077	PUSH-BUTTON PANEL 2 BUTTONS
13	1319078	PUSH-BUTTON PANEL 1 BUTTON
14	1186611	O-RING 02025 RED SILICONE
14	1186612	O-RING 02025 VITON
15	1120476	3-WAY SOLENOID VALVE PARKER 230V 50/60Hz

EXPERT-CM.COM.UA



WATER/STEAM TAP

F3



FS31



FUTURMAT-ARIETE

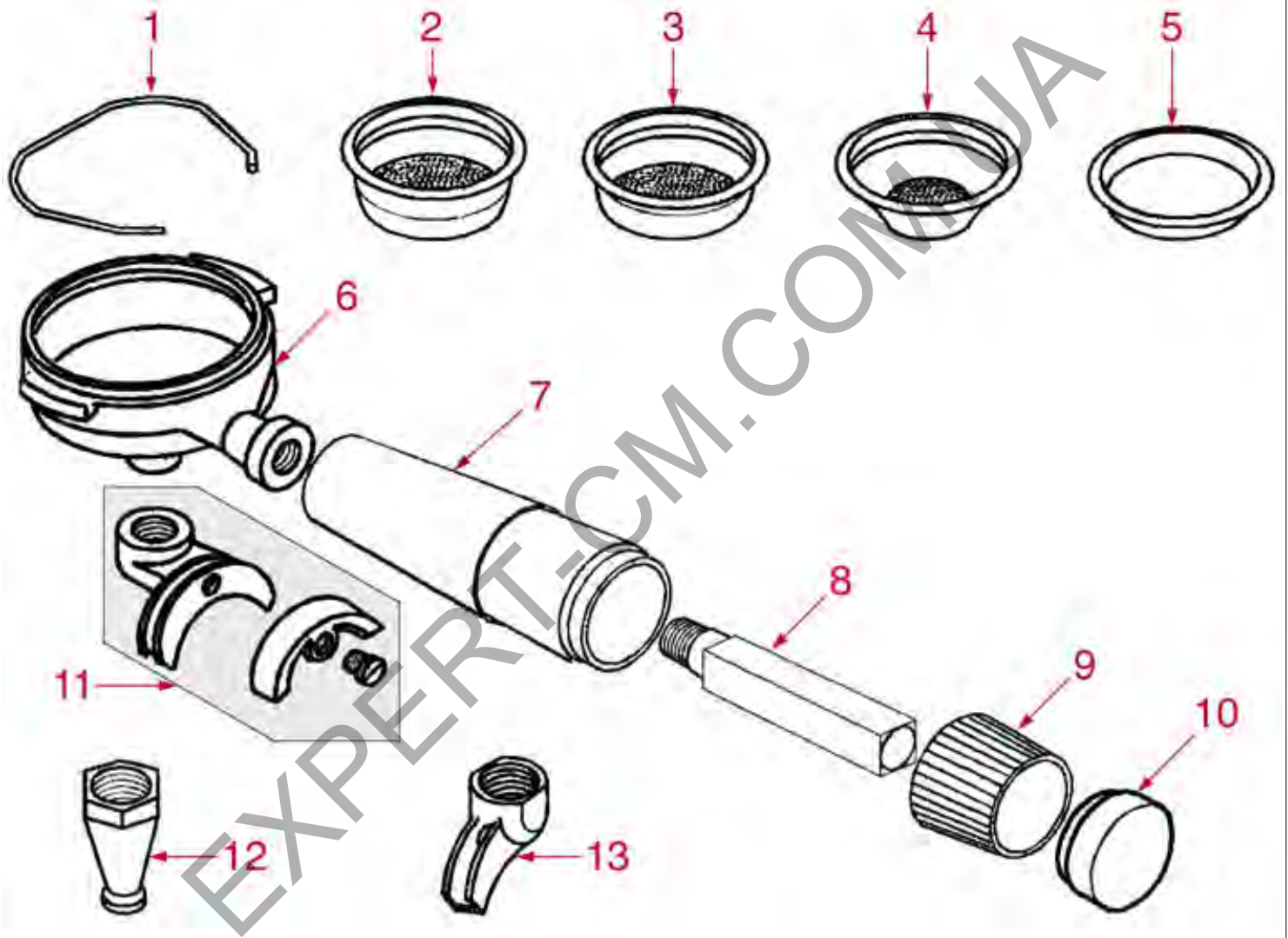


Position	LF code no.	Description
1	1186442	BLIND GASKET \varnothing 12x5.8 mm SILICONE
2	1250415	TAP SPRING \varnothing 10x32 mm
3	1186244	SPRING BUSHING
4	1186612	O-RING 02025 VITON
5	1186326	TEFLON FLAT GASKET \varnothing 22x16x2 mm
6	1250510	HANDLE SPRING \varnothing 29x30 mm
7	1241371	HANDLE RING
8	1241422	WATER/STEAM TAP HANDLE
9	1241423	STEAM SILK SCREEN PRINT. F. HANDLE
11	1186314	TEFLON FLAT GASKET \varnothing 22x17x2 mm
12	1250549	SPRING \varnothing 11x25 mm
13	1186283	BRASS WASHER \varnothing 15x7x2.5 mm.
14	1186176	CONICAL TEFLON SEAL \varnothing 15x8x7 mm
15	1186346	O-RING 02043 EPDM
16	1348476	NUT FOR WATER/STEAM PIPE
17	1449853	STEAM PIPE COMPLETE
18	1187501	BURN PREVENTING PIPE HANDGRIP \varnothing 8 mm

EXPERT-CM.COM.UA



ACCESSORIES



FS32



FUTURMAT-ARIETE

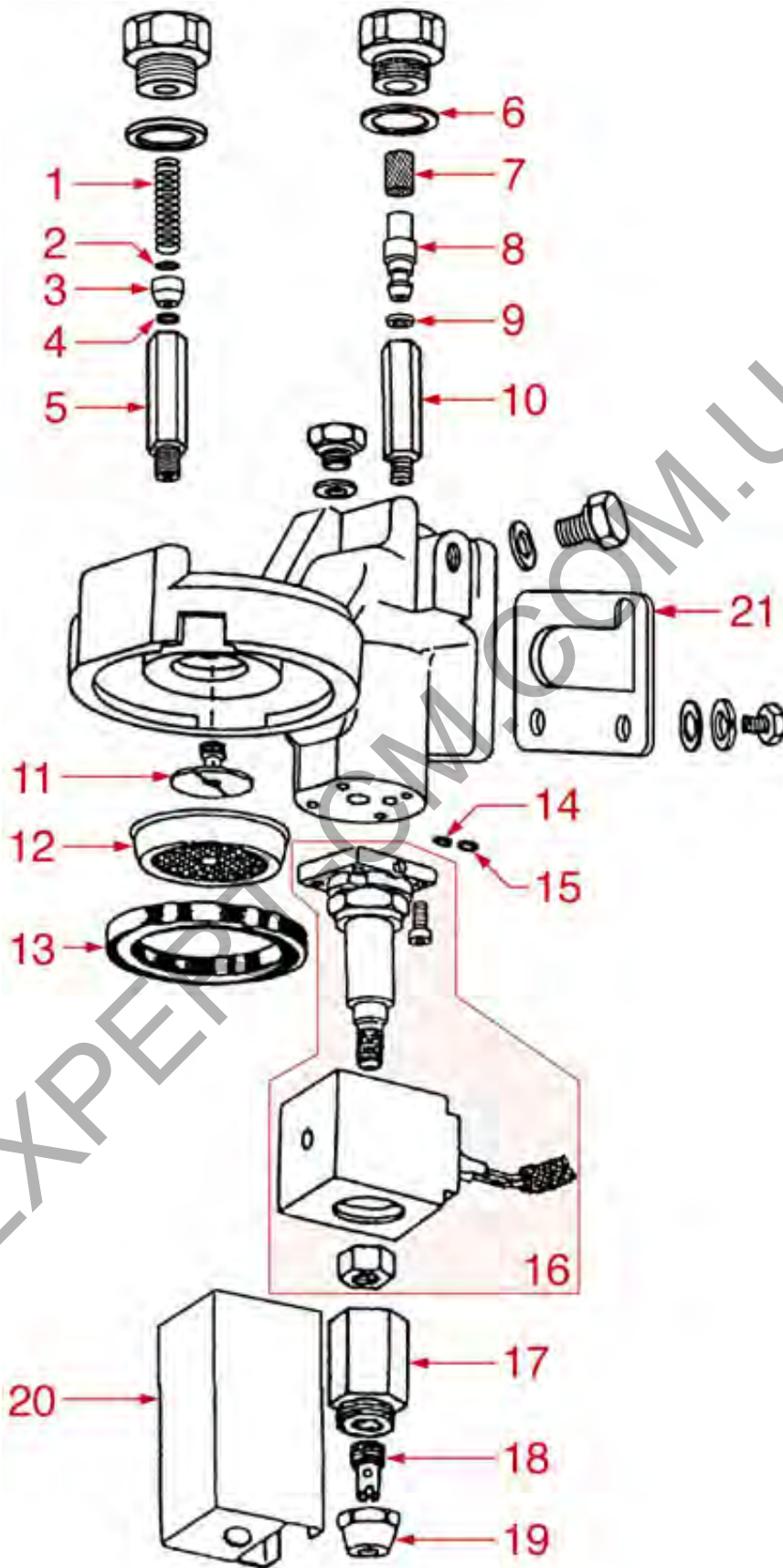


Position	LF code no.	Description
1	1250101	FILTER BLOCKING SPRING \varnothing 1,00 mm INOX
2	1160063	2 CUPS FILTER 14 gr
3	1160061	2 CUPS FILTER 12 gr
4	1160060	1 CUP FILTER 6 gr
4	1160062	1 CUP FILTER 7 gr
5	1160339	BLIND FILTER
6	1165022	FILTER HOLDER COFFEE MACHINES
11	1022502	DOUBLE SPOUT \varnothing 3/8"
12	1022503	STRAIGHT SINGLE SPOUT \varnothing 3/8"
13	1022501	SINGLE SPOUT \varnothing 3/8"

EXPERT-CM.COM.UA



SOLENOID ASSEMBLY



FS33

Positions without LF code no.: upon request



FUTURMAT-ARIETE

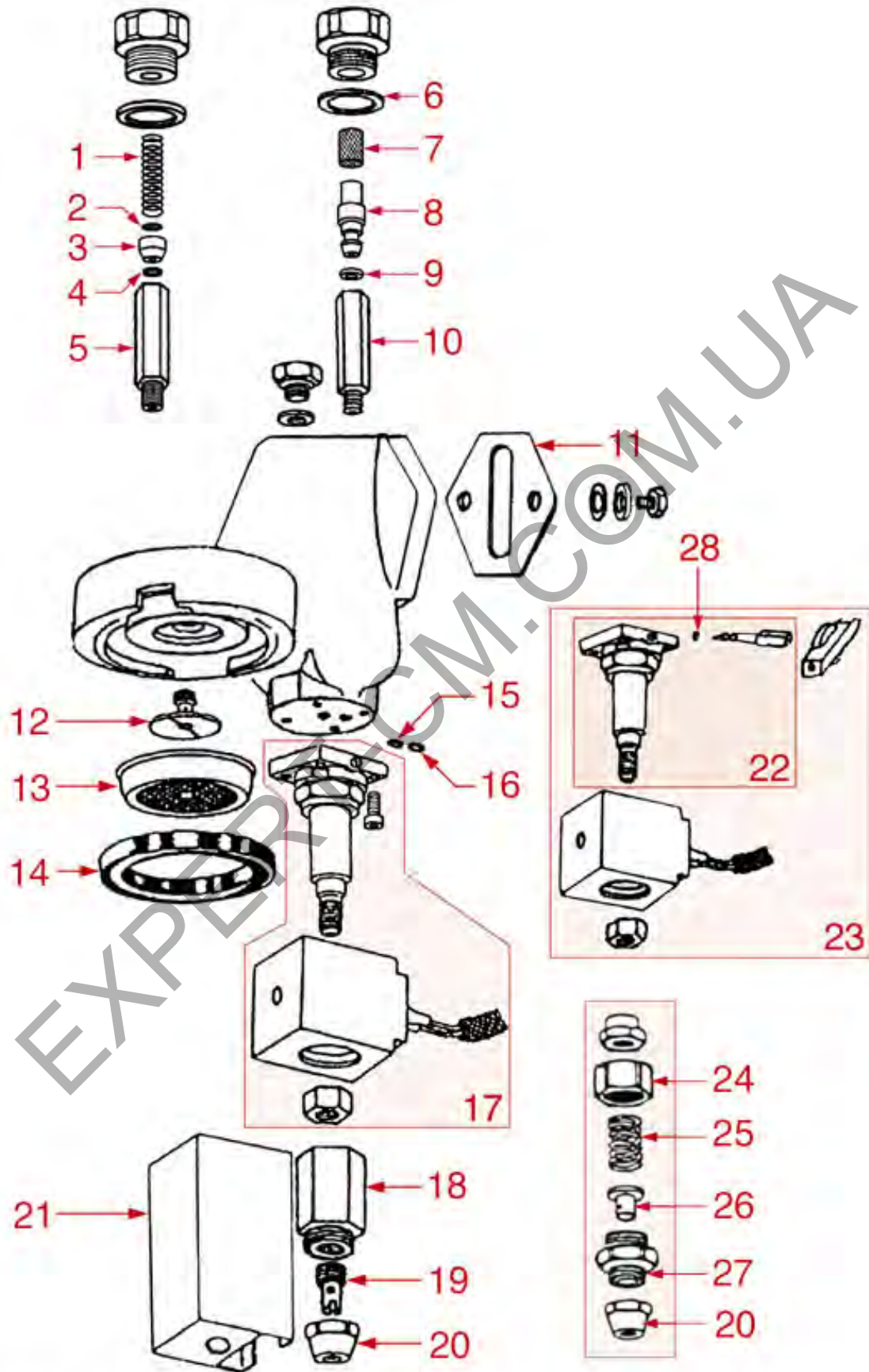


Position	LF code no.	Description
1	1250402	JET SPRING \varnothing 7x28 mm
2	1160311	WATER FILTER \varnothing 7 mm
3	1501531	NOZZLE \varnothing 8 HOLE \varnothing 0.7 mm
4	1186252	O-RING R3 EPDM
5	1324051	SHORT PIN M6
5	1324052	SHORT PIN M8
6	1186201	TEFLON FLAT GASKET \varnothing 21x16.8x2 mm
6	1186620	COPPER FLAT GASKET \varnothing 22x17x1.5 mm
7	1160507	WATER FILTER \varnothing 8.5x15 mm
8	1501570	NOZZLE GROUP
9	1186514	O-RING 02015 SILICON
10	1324085	INJECTOR SUPPORT
11	1501565	GROUP SPRAY NOZZLE \varnothing 21 mm M5x1
12	1081016	SHOWER SCREEN \varnothing 60 mm
13	1186722	FILTER HOLDER GASKET \varnothing 73x57x8 mm
13	1186723	FILTER HOLDER GASKET \varnothing 73x57x8.5 mm
13	1186724	FILTER HOLDER GASKET \varnothing 73x57x9 mm
14	1186611	O-RING 02025 RED SILICONE
15	1186612	O-RING 02025 VITON
16	1120476	3-WAY SOLENOID VALVE PARKER 230V 50/60Hz
17	1349404	OUTLET FITTING
18	1349405	DRAIN JET SWIRL
19	1349403	DRAIN CHROMIUM-PLATED FITTING
20	1201572	MANUAL SOLENOID COVER

EXPERT-CM.COM.UA



SOLENOID ASSEMBLY



FS34



FUTURMAT-ARIETE

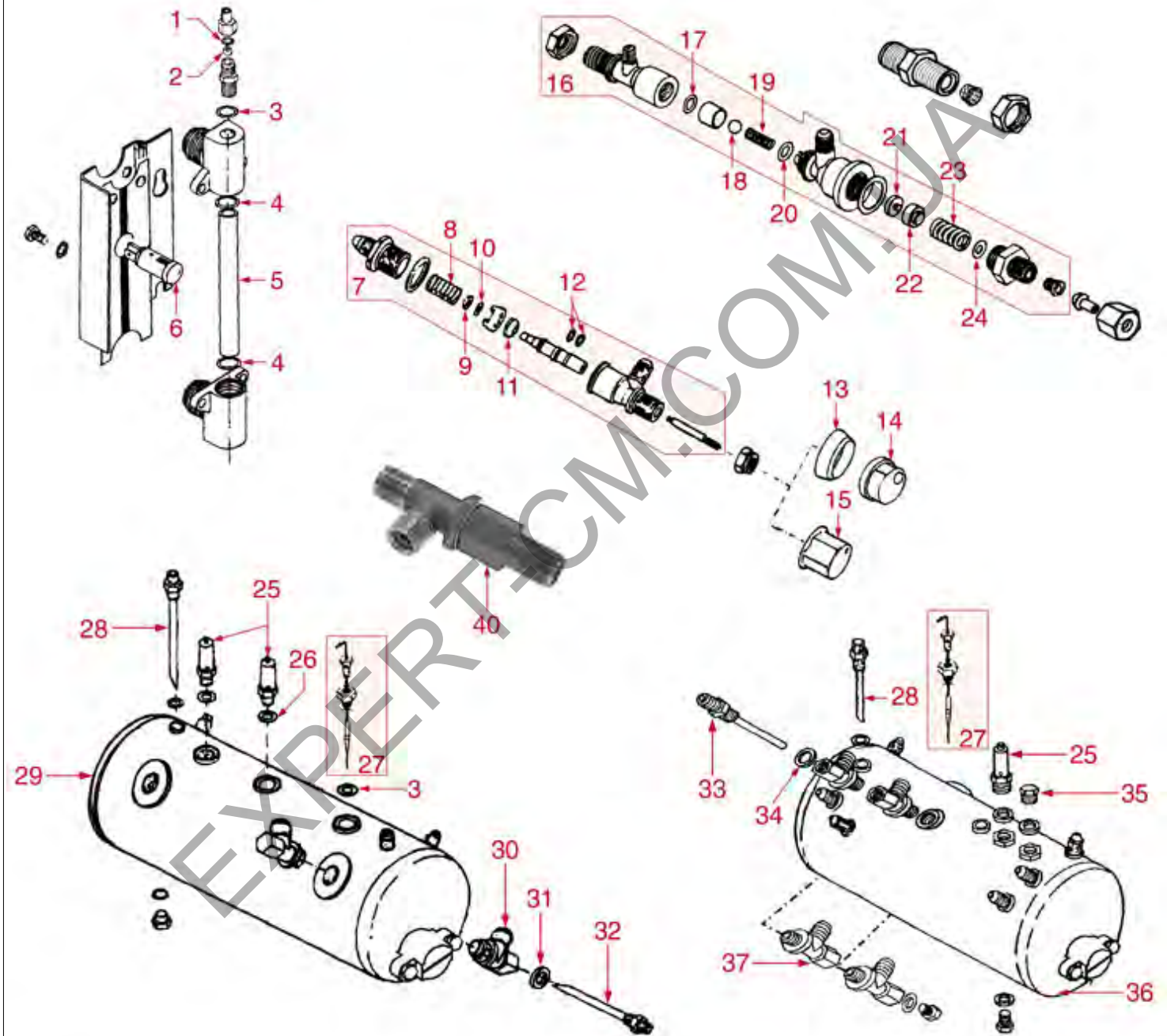


Position	LF code no.	Description
6	1186201	TEFLON FLAT GASKET \varnothing 21x16.8x2 mm
7	1160507	WATER FILTER \varnothing 8.5x15 mm
8	1501570	NOZZLE GROUP
9	1186514	O-RING 02015 SILICON
11	1186502	COFFEE GROUP GASKET 79x71x2 mm
12	1501561	GROUP SPRAY NOZZLE \varnothing 30 mm M10x1
13	1081016	SHOWER SCREEN \varnothing 60 mm
14	1186722	FILTER HOLDER GASKET \varnothing 73x57x8 mm
15	1186611	O-RING 02025 RED SILICONE
16	1186612	O-RING 02025 VITON
17	1120349	3-WAY SOLENOID VALVE PARKER 230V 50/60Hz
18	1349404	OUTLET FITTING
19	1349405	DRAIN JET SWIRL
20	1349403	DRAIN CHROMIUM-PLATED FITTING
21	1201572	MANUAL SOLENOID COVER
23	1120476	3-WAY SOLENOID VALVE PARKER 230V 50/60Hz
24	1349401	VALVE FITTING
25	1250160	PIN SPRING \varnothing 14x23 mm
26	1390501	DRAIN JET SWIRL
27	1349402	OUTLET VALVE FITTING
28	1186163	O-RING 02010 EPDM
28	1186746	O-RING 02010 VITON

EXPERT-CM.COM.UA



BOILER AND ACCESSORIES



FS35



FUTURMAT-ARIETE

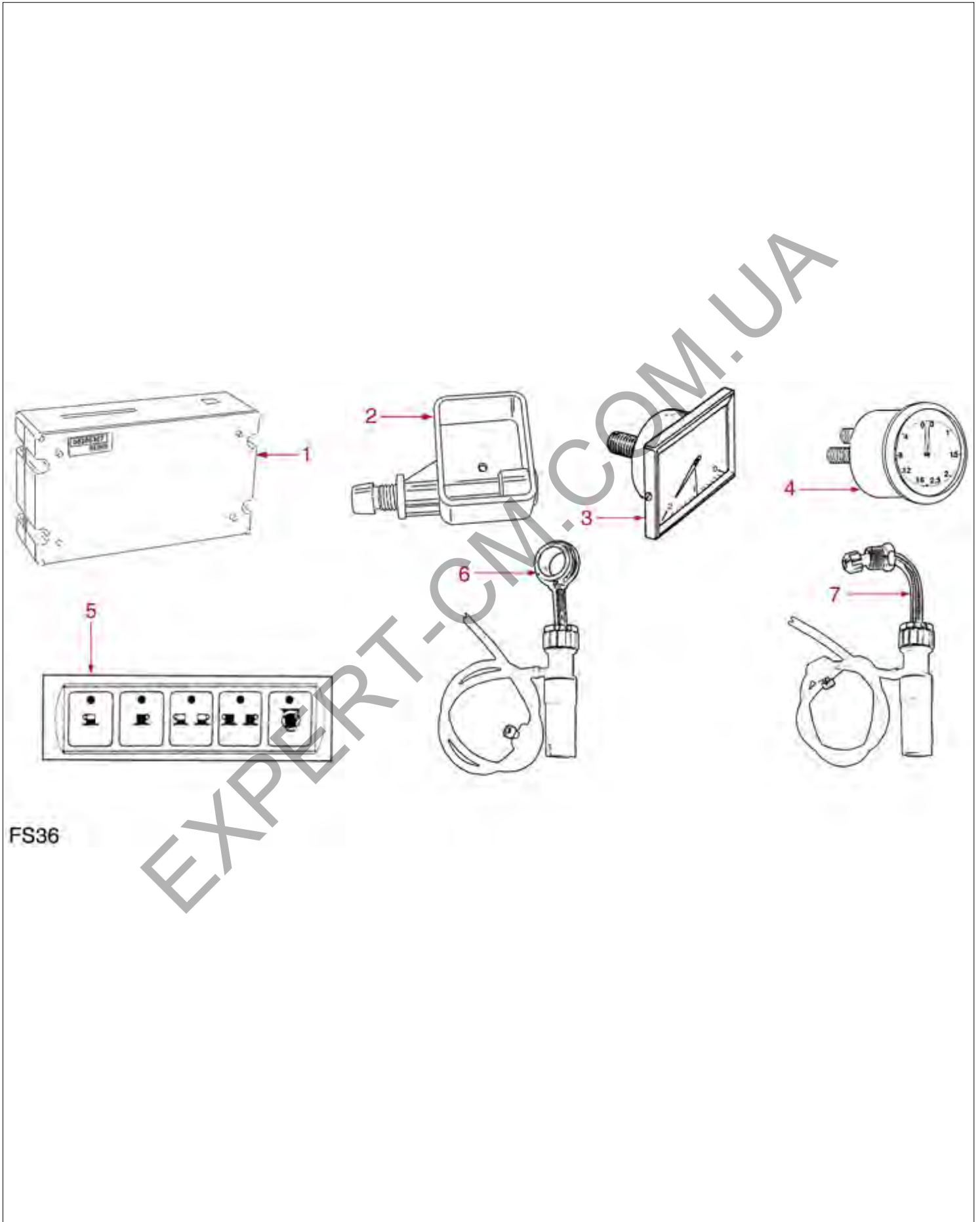


Position	LF code no.	Description
1	1186611	O-RING 02025 RED SILICONE
2	1323003	STAINLESS STEEL BALL \varnothing 8 mm
3	1186232	COPPER FLAT GASKET \varnothing 19x13.5x1.5 mm
4	1186236	O-RING 03043 VITON
5	1520562	LEVEL GLASS \varnothing 11x108 mm
6	1221301	RED INDICATOR LAMP 250V
7	1348306	WATER INLET TAP
8	1250536	SPRING \varnothing 13x42 mm
9	1186330	BRASS WASHER \varnothing 6x3x0.5 mm
10	1186330	BRASS WASHER \varnothing 6x3x0.5 mm
11	1186128	CONICAL EPDM SEAL \varnothing 12x4x4 mm
12	1186252	O-RING R3 EPDM
13	1241487	HANDLE RING
14	1241376	WATER INLET TAP KNOB GREY
15	1241408	WATER INLET TAP KNOB
16	1523526	EXPANSION AND NON-RETURN VALVE
17	1186422	O-RING 0108 EPDM
18	1323415	STAINLESS STEEL BALL \varnothing 11 mm
19	1250202	NON-RETURN VALVE SPRING \varnothing 8x30 mm
20	1186346	O-RING 02043 EPDM
21	1186129	FLAT EPDM GASKET \varnothing 15/6x10 mm
22	1186131	GASKET HOLDER FOR TAP
23	1250517	SPRING \varnothing 15.5x29 mm
24	1186239	COPPER FLAT GASKET \varnothing 13x6x1 mm
25	1523535	BOILER VALVE \varnothing 3/8"M
26	1186201	TEFLON FLAT GASKET \varnothing 21x16.8x2 mm
27	3341011	LEVEL PROBE \varnothing 1/4"M - 140 mm
40	1523512	NON-RETURN VALVE \varnothing 3/8"M-1/4"M

EXPERT-CM.COM.UA



MISCELLANEOUS



FS36



FUTURMAT-ARIETE



Position	LF code no.	Description
1	1054551	DOSER CONTROL BOX 1-2-3-4 GROUPS
3	1245561	BOILER PRESSURE GAUGE \varnothing 52 mm 0÷2 bar
4	1245562	BOILER-PUMP PRESSURE GAUGE \varnothing 60 mm
5	1319063	PUSH-BUTTON PANEL MEMBRANE 5 BUTTONS

EXPERT-CM.COM.UA