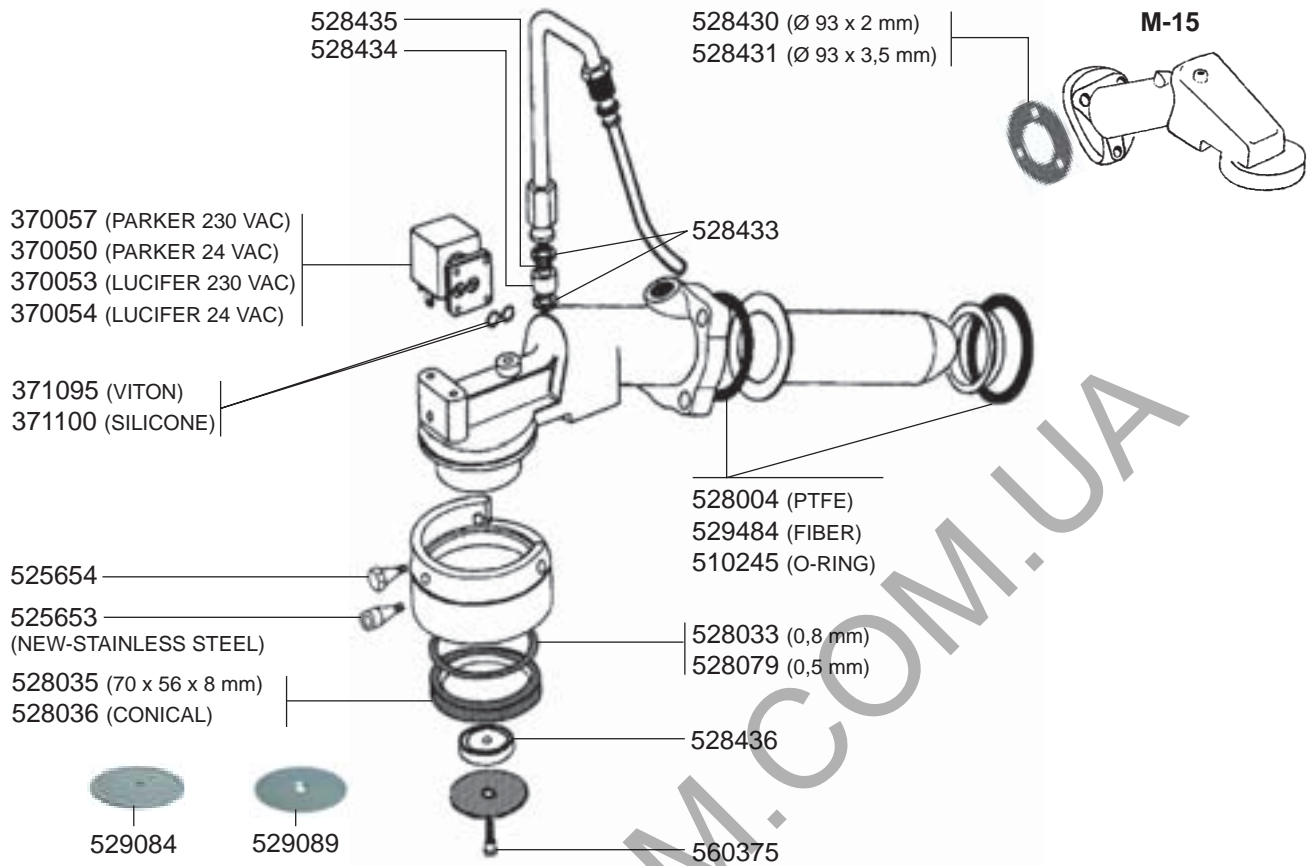


CIMBALI - ESPRESSO MACHINES

1
ESPRESSO MACHINES

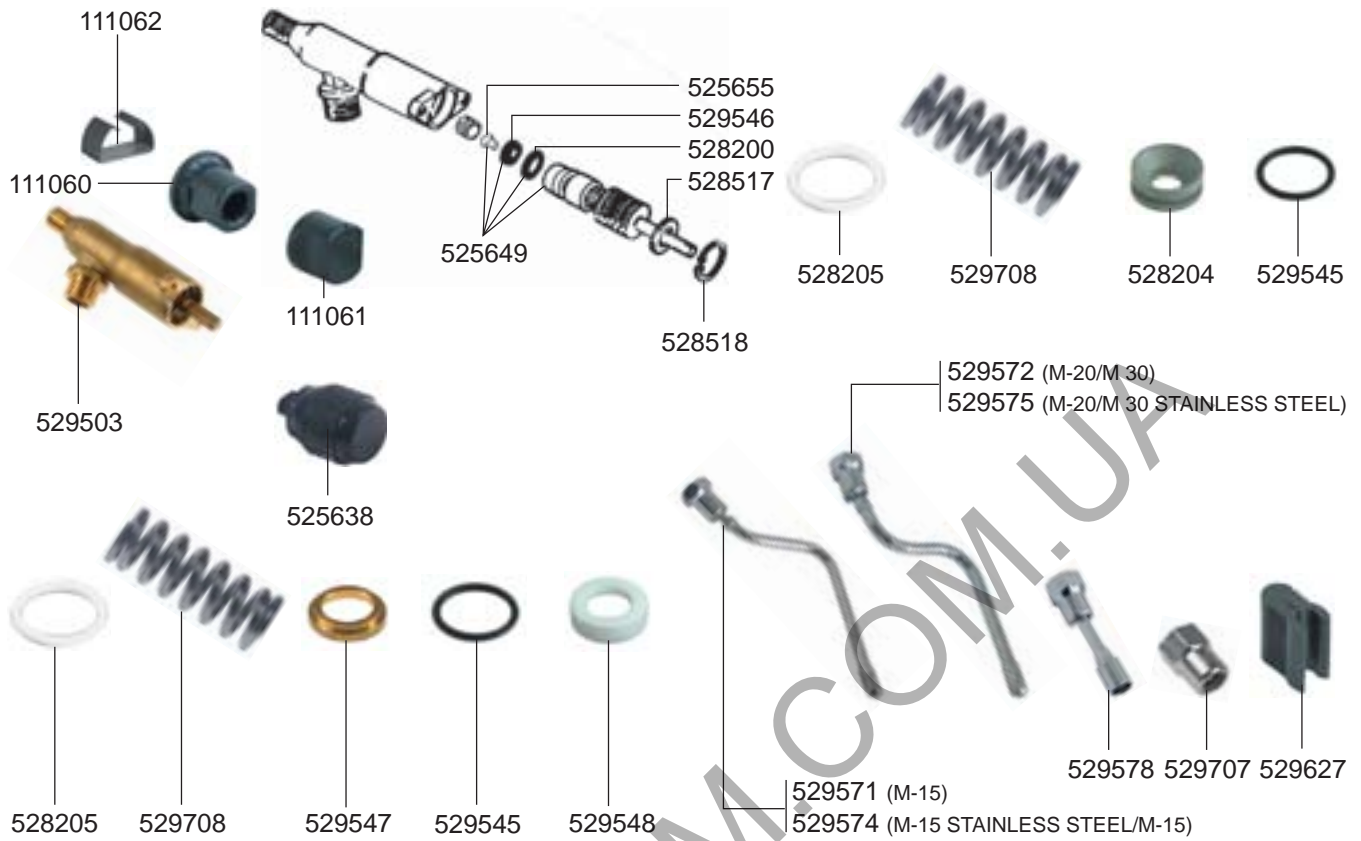
GROUPS



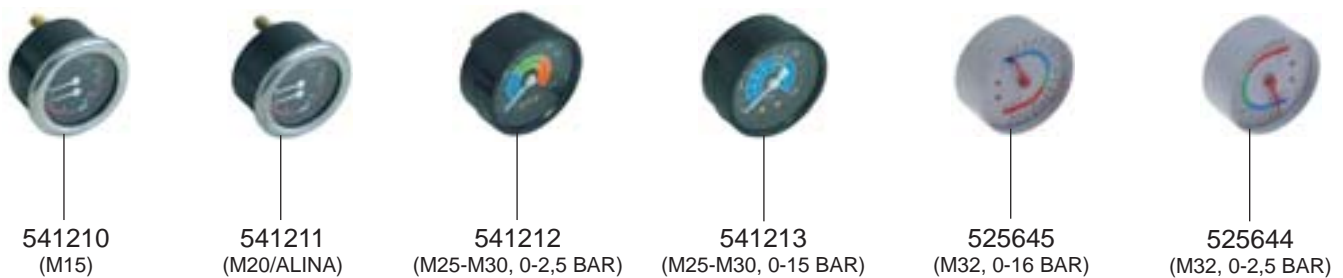
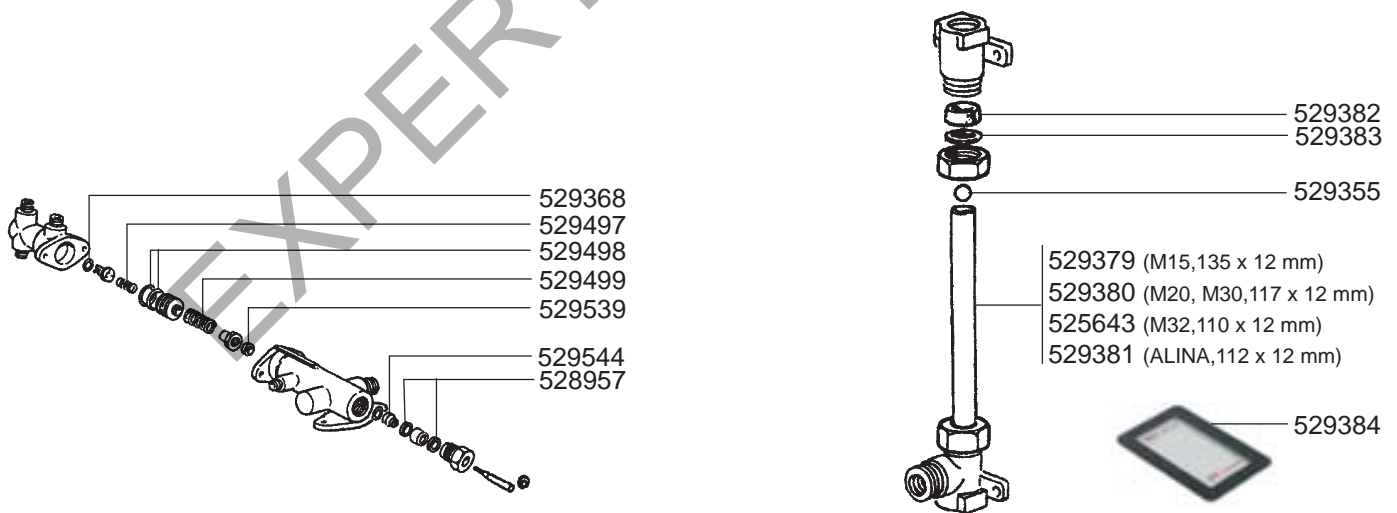
FILTER HOLDERS



STEAM/WATER TAPS



INLET TAP/LEVEL INDICATOR/MANOMETERS



CIMBALI - ESPRESSO MACHINES

1
ESPRESSO MACHINES

BOILER VARIOUS

529312 (3/8") **529316 (3/8")** **529307 (1/4")** **529361 (1/4")** **529303 (1/4")** **529304 (1/4")** **529361 (1/4")**

529361 (1/4") **529349 (3/8")**

528005

M-15
417015 (1 GR, 230 VAC, 2700 W)
417016 (2 GR, 230 VAC, 4000 W)
417098 (3 GR, 230 VAC, 5000 W)

400214 (L = 140 mm)
400020 (L = 150 mm)

JUNIOR
417014 (JUNIOR, 1 GR, 230 VAC, 1300 W)

M20-M25-M30-M32

529484 (FIBER)
528004 (PTFE)

529484 (FIBER)
528004 (PTFE)

417011 (1 GR, 230 VAC, 1800 W)
417013 (ALINA, 230 VAC, 2850 W)
417012 (2 GR, 230 VAC, 3750 W)
417099 (3 GR, 230 VAC, 5790 W)

528121 (M20-M25-M30 FIBER) **528122 (M20-M25-M30 TEFLON)** **528120 (M15)**

ELECTRICAL COMPONENTS VARIOUS

400209 (DIGMESA) **400004 (GICAR)** **400256** **400259 (DIGMESA)** **400257 (GICAR)** **541021 (SIRAI, 30 A, 3 POLES)** **541724 (SIRAI, 20 A, 3 POLES)** **541723 (SIRAI, 20 A, 2 POLES)** **541453 (PARKER)** **541020**

400258

370062 (PARKER) **370061 (LUCIFER)**

370057 (230 VAC-PARKER) **370050 (24 VAC-PARKER)** **370053 (230 VAC-LUCIFER)** **370054 (24 VAC-LUCIFER)** **370051 (24 VDC-LUCIFER)**

371029 (230 VAC-PARKER) **371036 (24 VAC-PARKER)** **371031 (230 VAC-LUCIFER)** **371032 (24 VAC-LUCIFER)** **371043 (24 VDC-LUCIFER)**

370059 (230 VAC-1/4"-PARKER) **370219 (24 VAC-1/4"-PARKER)** **370206 (230 VAC-1/8"-PARKER)** **370066 (24 VAC-1/8"-PARKER)** **371029 (230 VAC-PARKER)** **371036 (24 VAC-PARKER)**

370168 (230 VAC-1/8"-SIRAI) **370064 (24 VAC-1/8"-SIRAI)** **371071 (230 VAC-SIRAI)** **371070 (24 VAC-SIRAI)** **371091**

371090 **371095 (VITON)** **371100**

ELECTRICAL COMPONENTS VARIOUS



EXPERT-CM.COM.UA