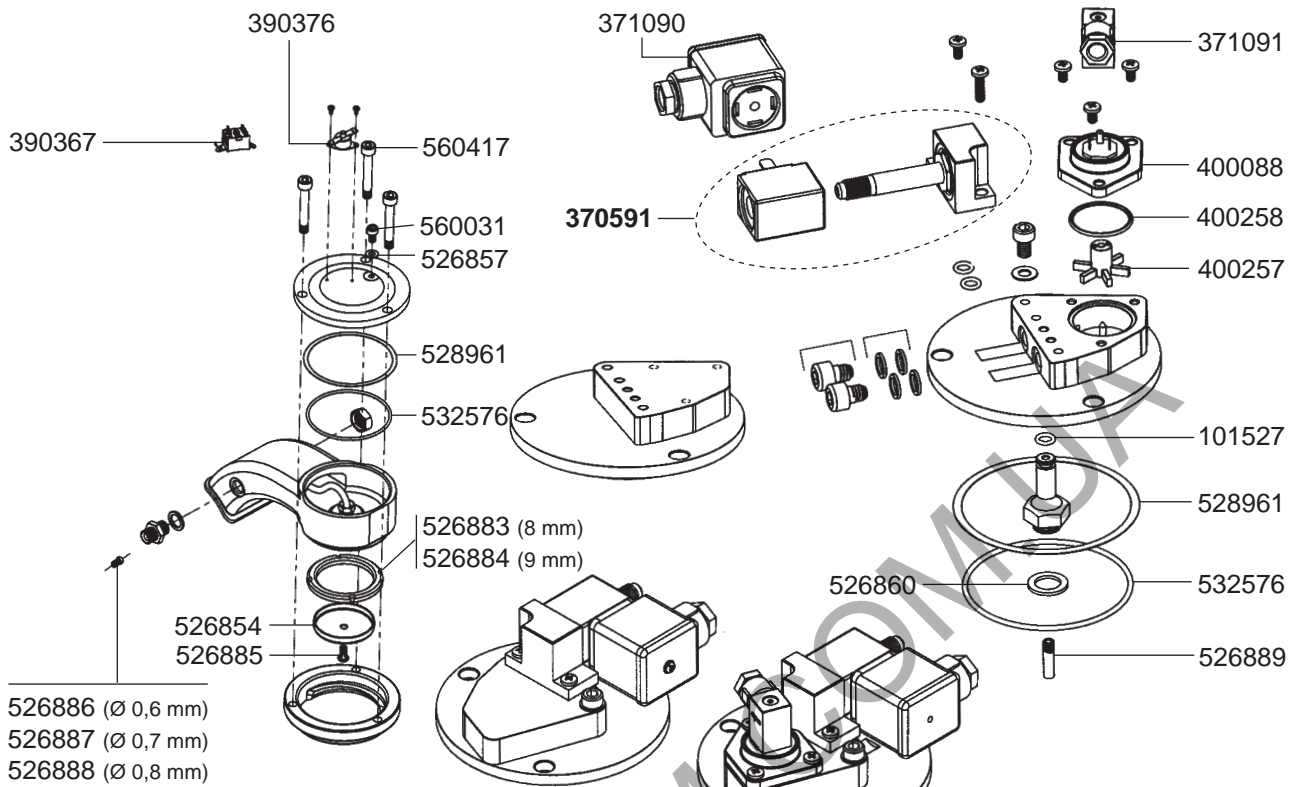
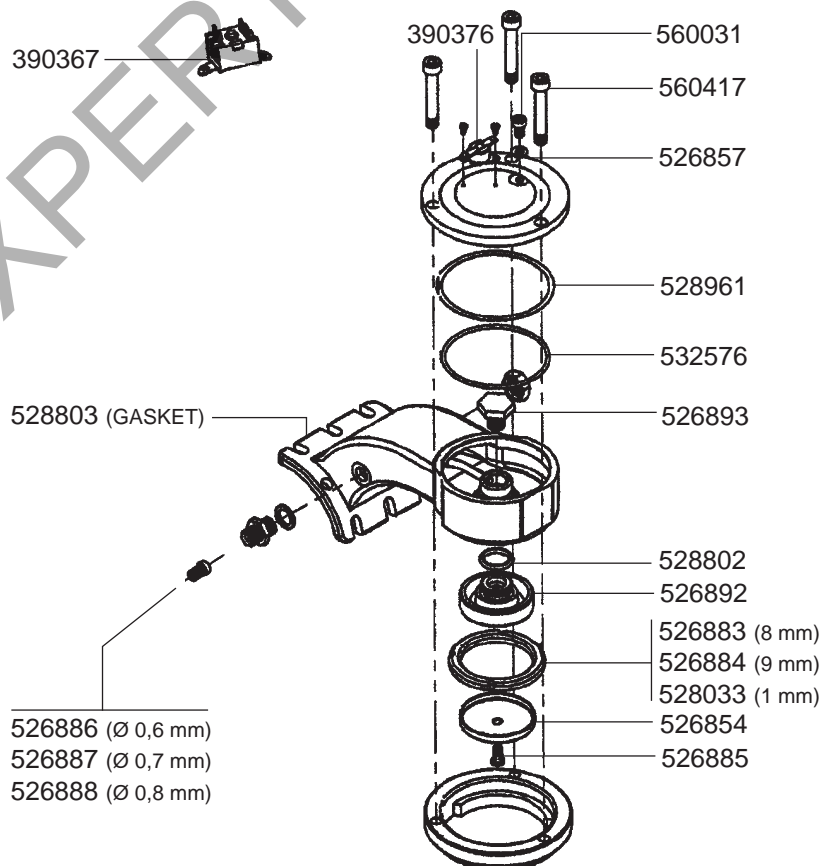


GB5/FB80/MISTRAL/GS3 GROUP



LINEA/FB70 GROUP



FILTER HOLDERS



529204
(M-12)



529045



525982



529205
(M-10 15°)



529053



529983



529012 (6 GR)



529014 (12 GR)



529023



529024
(BLIND)



802020
(STAINLESS
STEEL)



802103
(PLASTIC)



802025
(Ø 53/57 mm)



802104
(Ø 49/53 mm)

529011 (7 GR)
526897 (7 GR ORIGINAL)

529013 (14 GR)
526898 (14 GR ORIGINAL)



529063



529001



529003



529004



529007

527633



527634

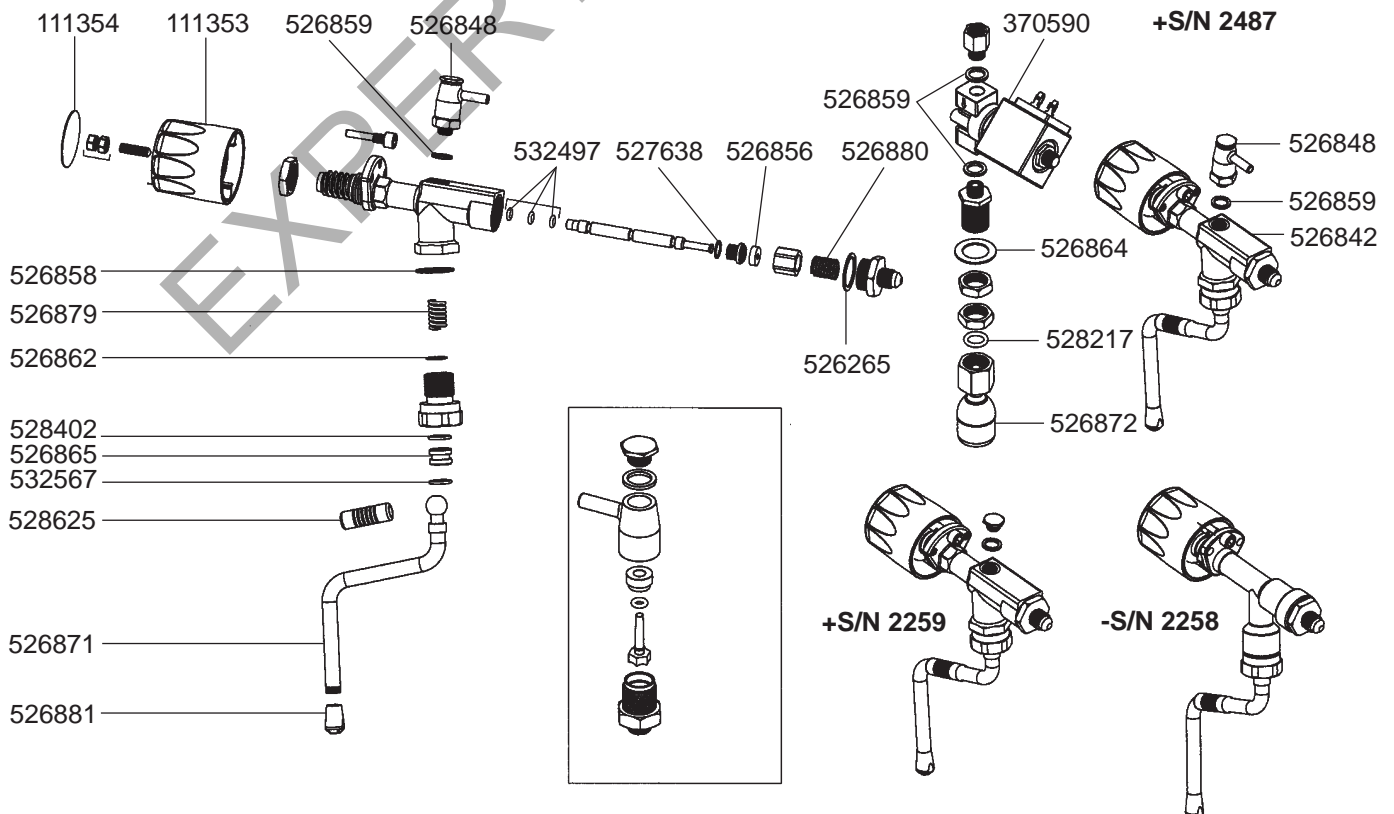


529894

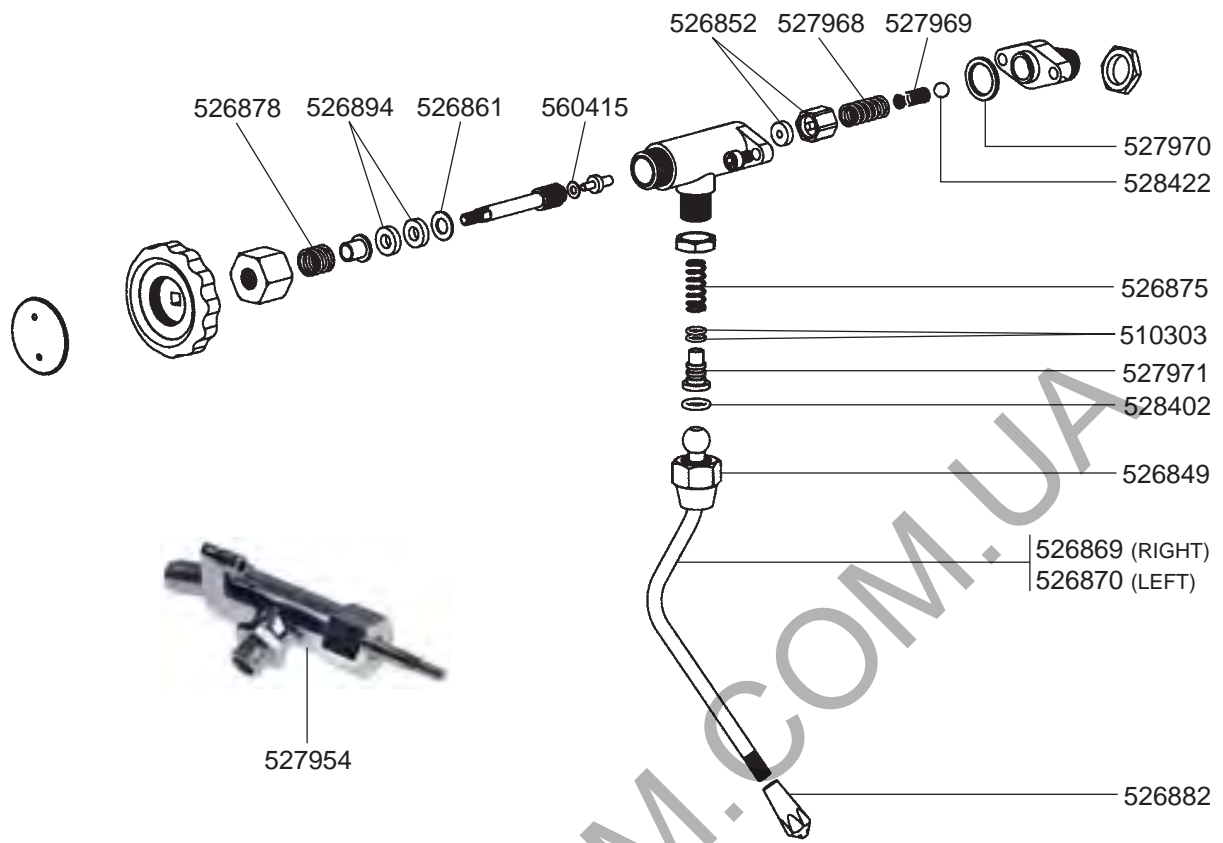


529161
(ADJUSTABLE)

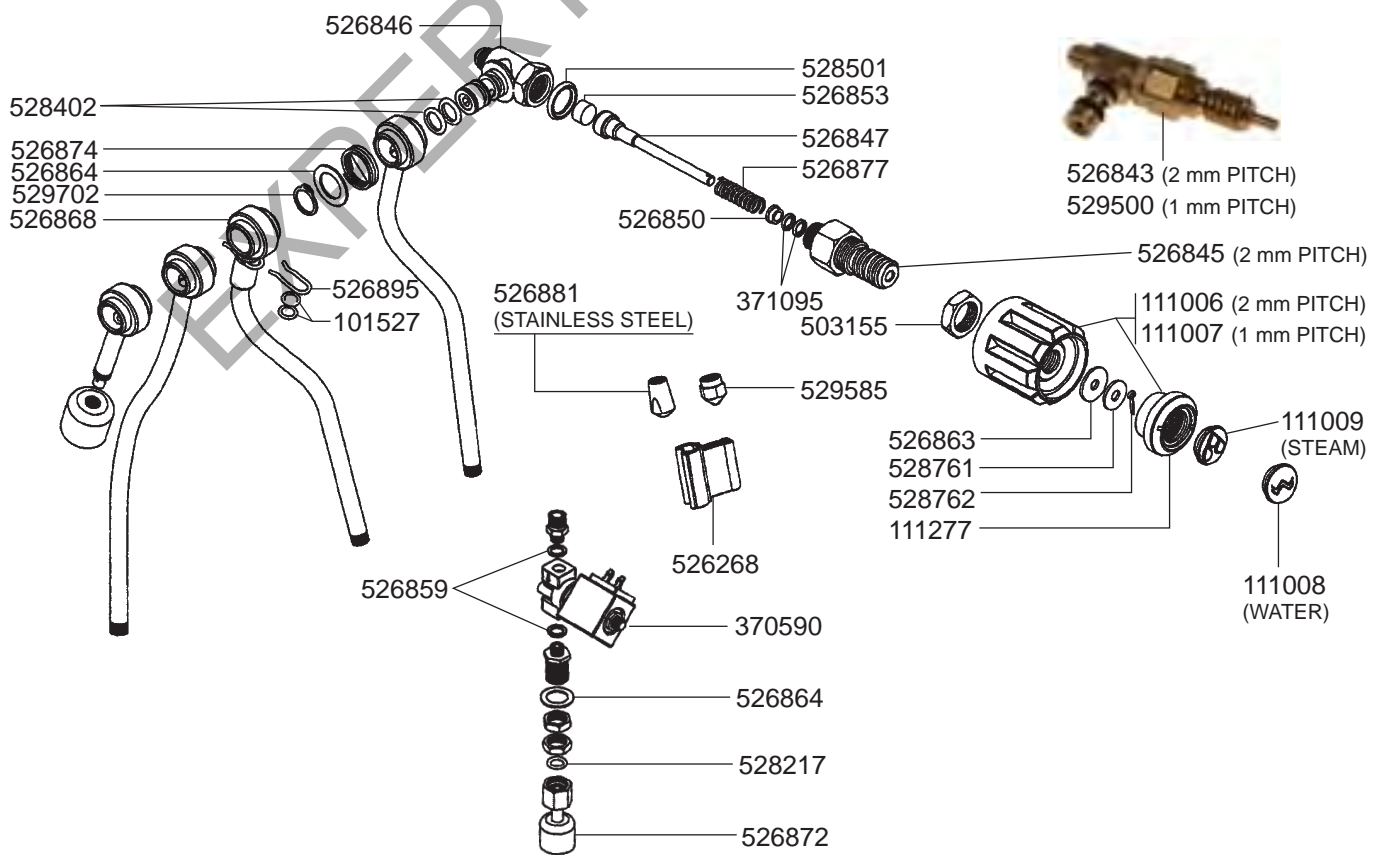
STEAM/WATER TAPS GB5-FB80



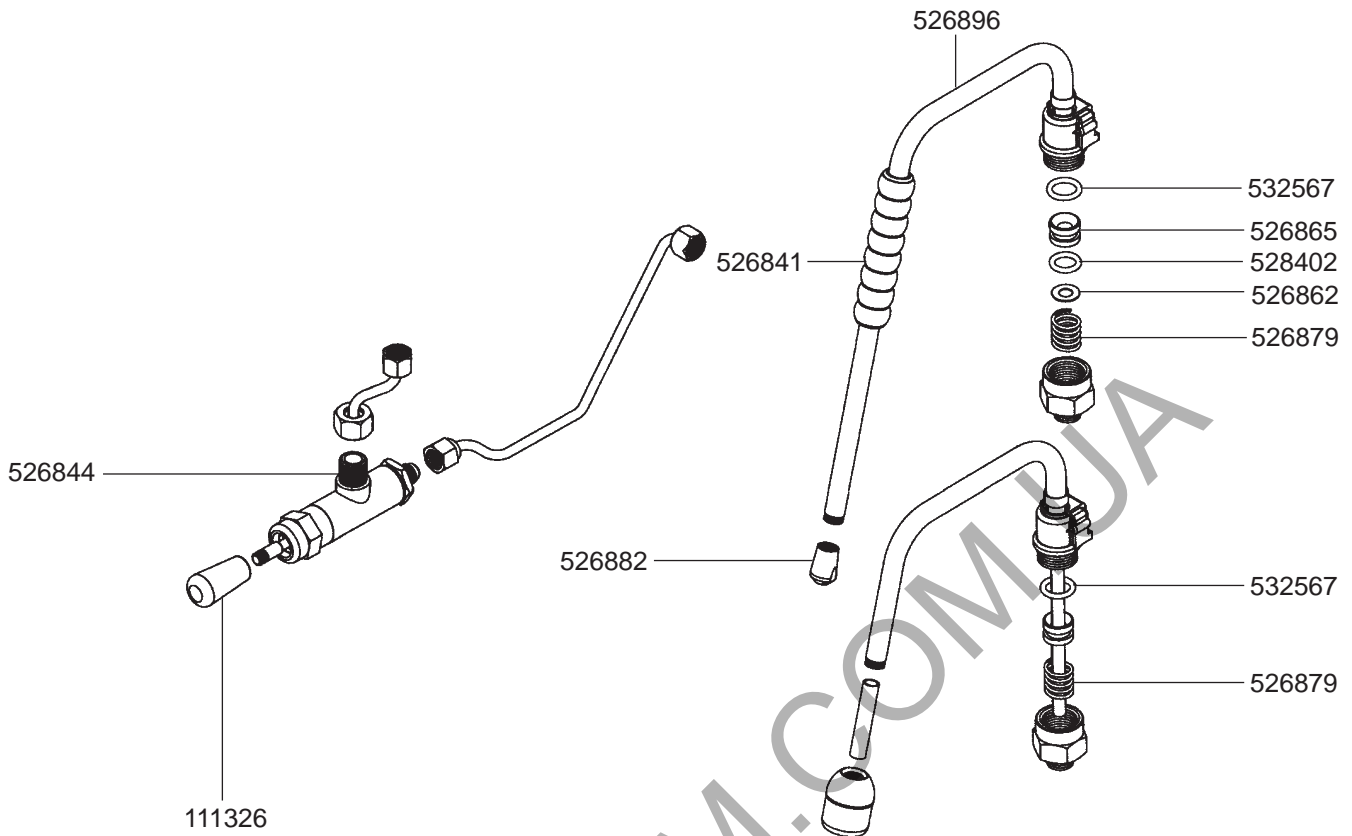
STEAM TAP MISTRAL



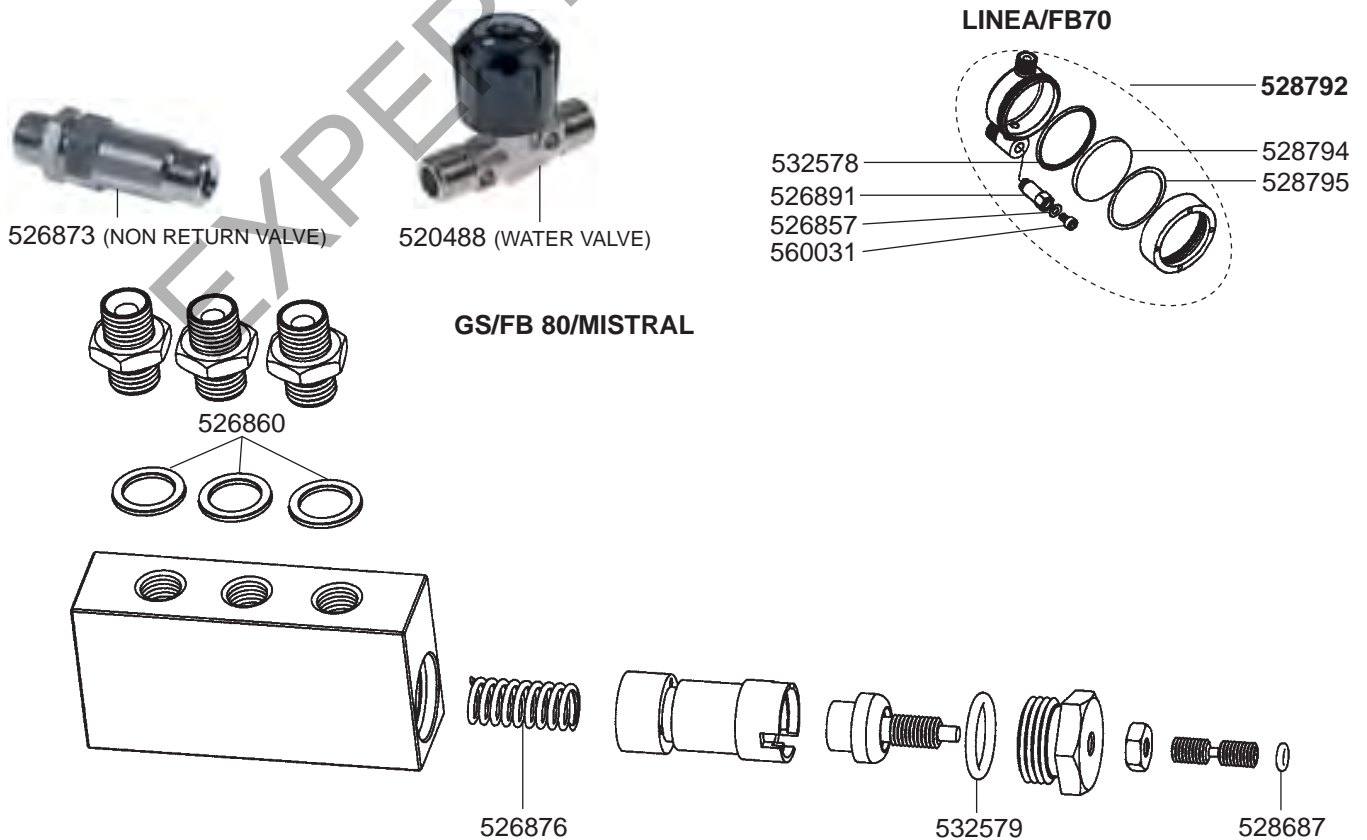
STEAM/WATER TAPS LINEA-FB70



STEAM/WATER TAPS GS3



VALVES/LEVEL INDICATOR



MANOMETERS/DRIP TRAYS



541761 (0-3 BAR)

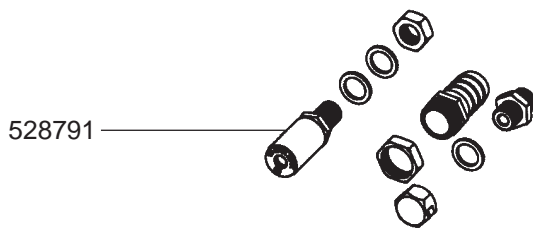


541760 (0-15 BAR)



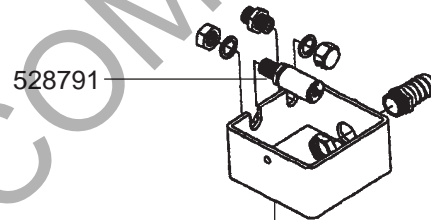
541202

GB5/FB80



528791

LINEA/FB70



528791

526866

BOILER VARIOUS



529312
(3/8")



529316
(3/8")



529303
(1/4")

529361 (1/4")

529349 (3/8")



528171



417395 (2 GR-1400 W-230 VAC)
417129 (3 GR-1600 W-230 VAC)
417400 (3 GR-1900 W-230 VAC)

COFFEE

LEVEL PROBE

LA052 (L = 100 mm)
LA052 (L = 110 mm)



528171



417125 (2 GR-2000 W-230 VAC)
417399 (3 GR-3000 W-230 VAC)
417398 (2 GR-3000 W-230 VAC)
417128 (3 GR-4000 W-230 VAC)

STEAM



528171



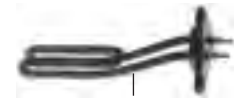
417045 (1 GR-1800 W-230 VAC-L = 160 mm)
417080 (2 GR-2400 W-230 VAC L = 240 mm)
417125 (2 GR-2000 W-230 VAC L = 290 mm)
417047 (2 GR-3000 W-230/400 VAC L = 410 mm)
417128 (3/4 GR-4000 W-230 VAC L = 500 mm)

VARIOUS

COFFEE



532580 (+S/N 126)
526855 (-S/N 125)

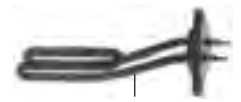


417396 (GS3)

STEAM



532580 (+S/N 126)
526855 (-S/N 126)



417397 (GS3)

VARIOUS

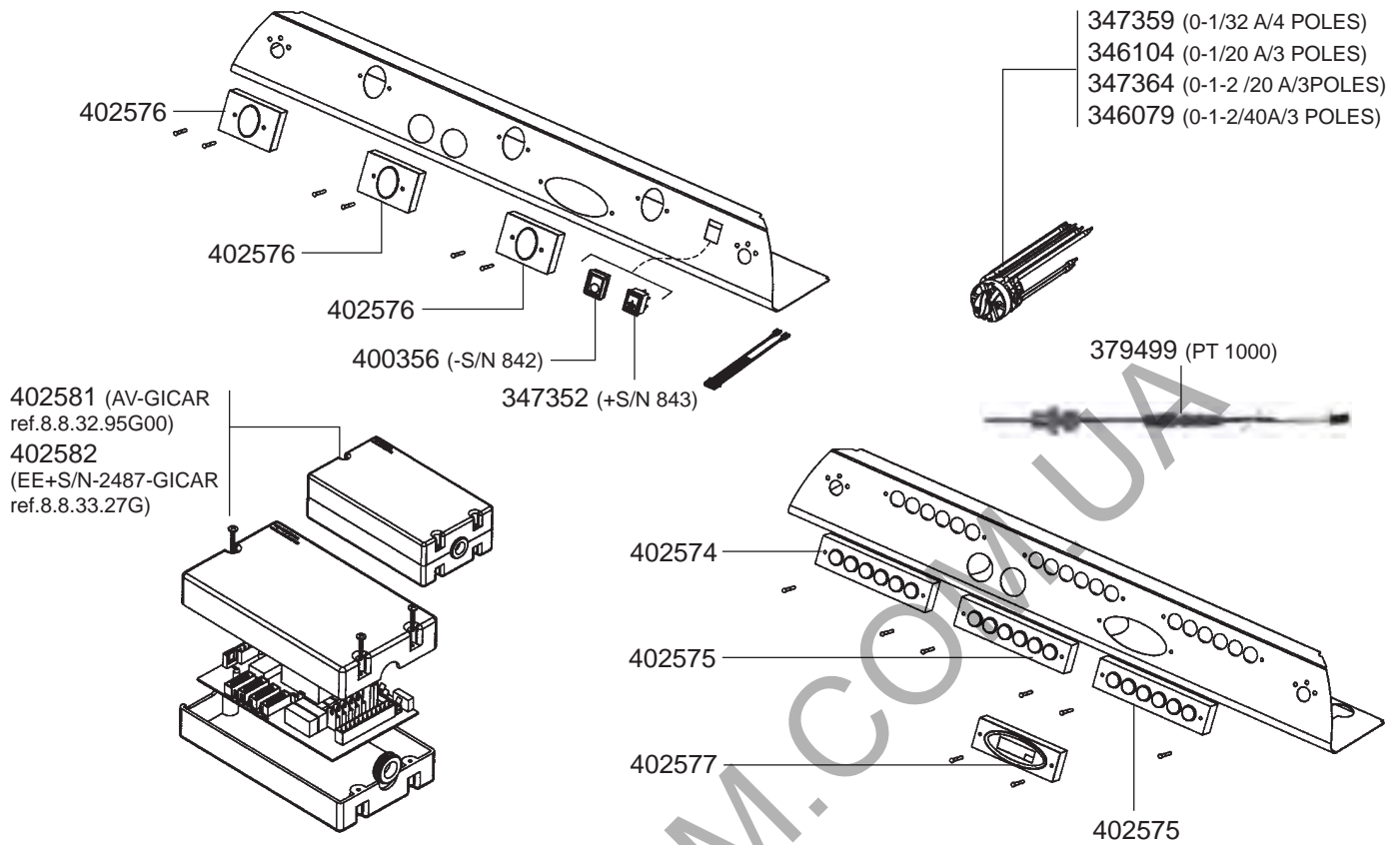


417126
(1 GR-1300 W-230 VAC L = 200 mm)

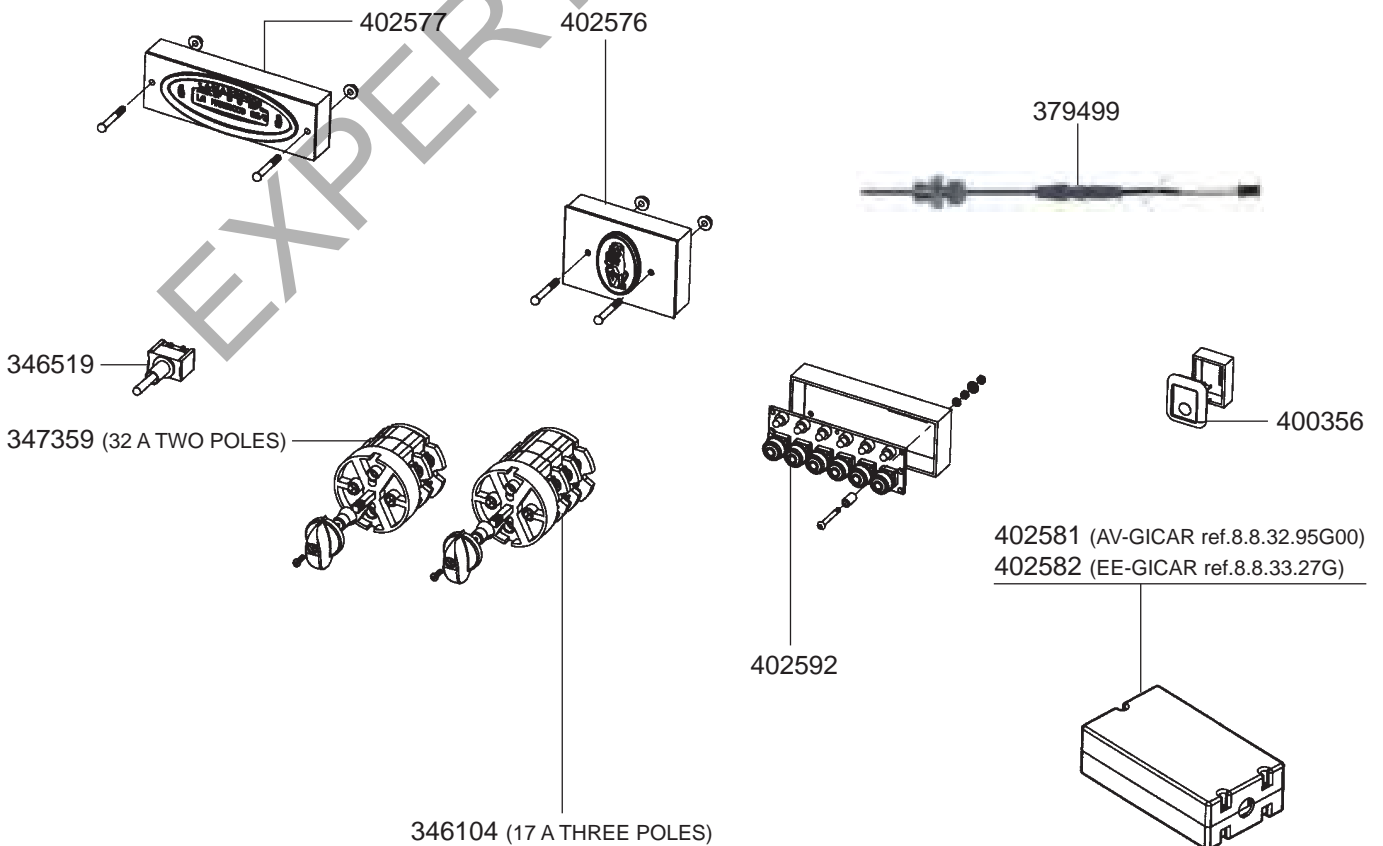


528789

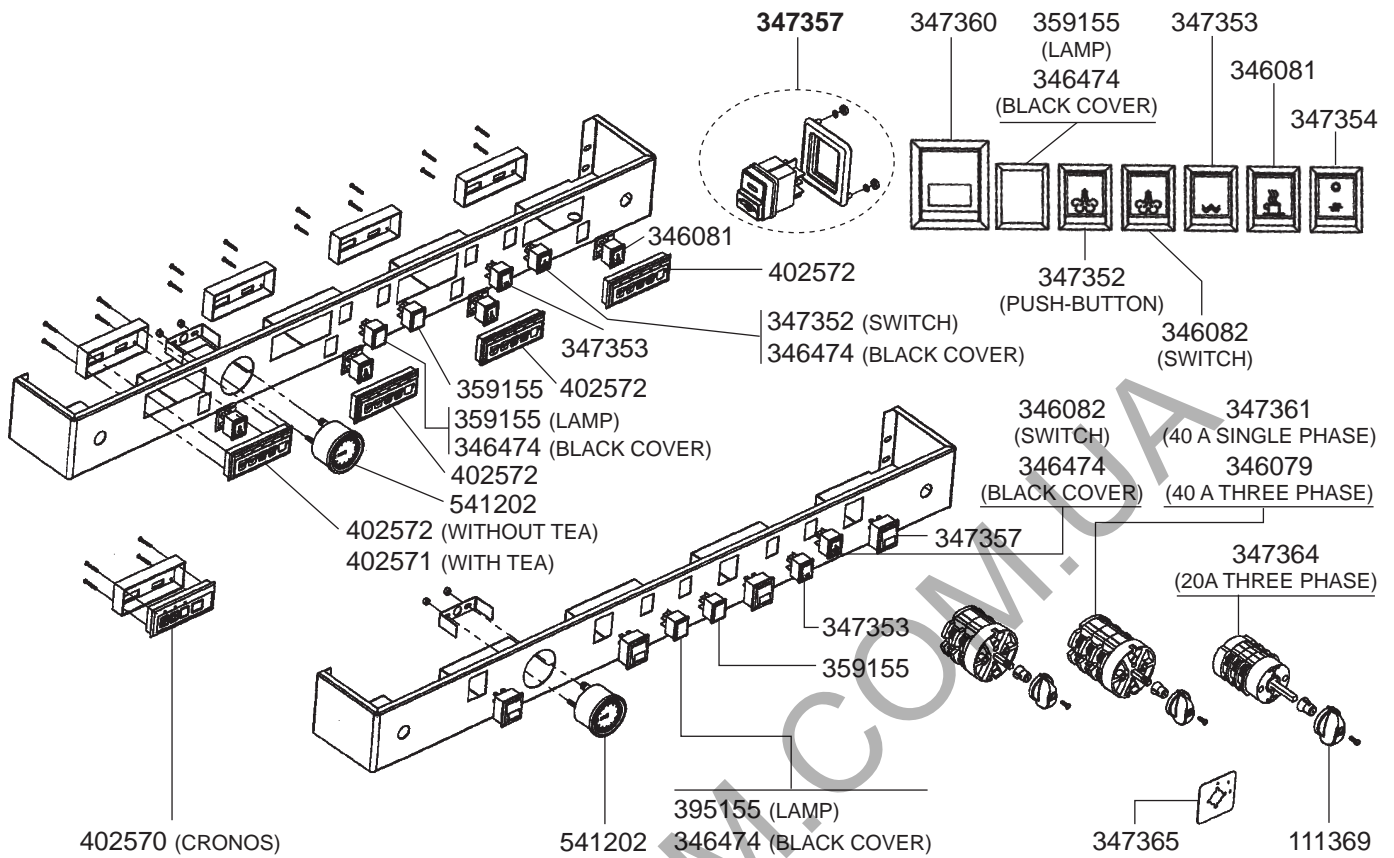
ELECTRICAL COMPONENTS GB5/FB80



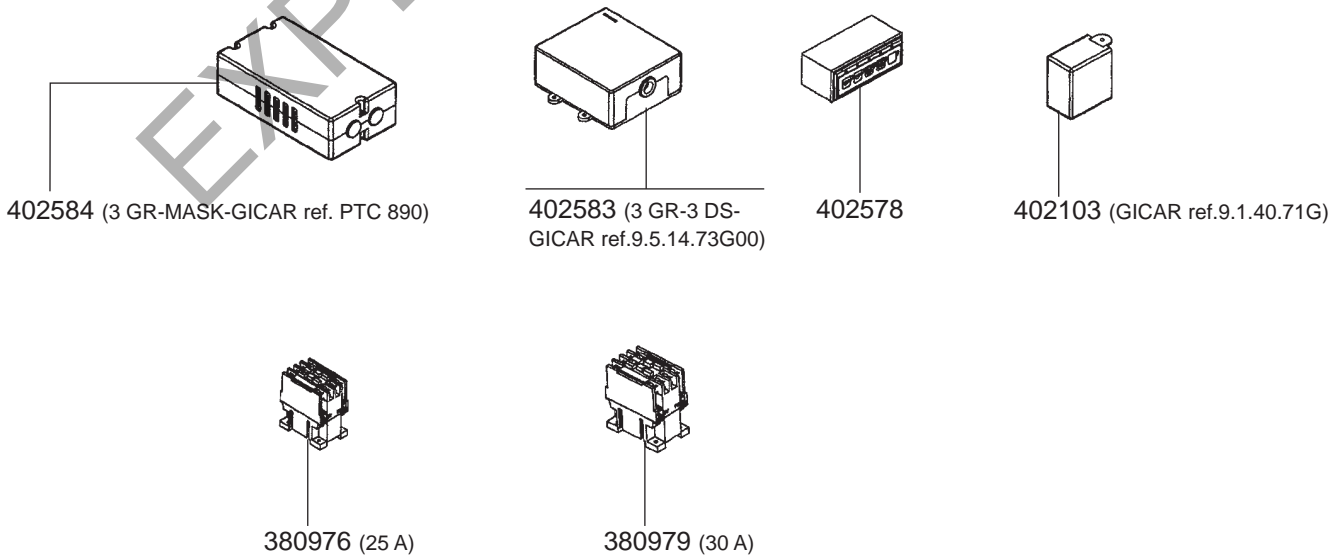
ELECTRICAL COMPONENTS MISTRAL



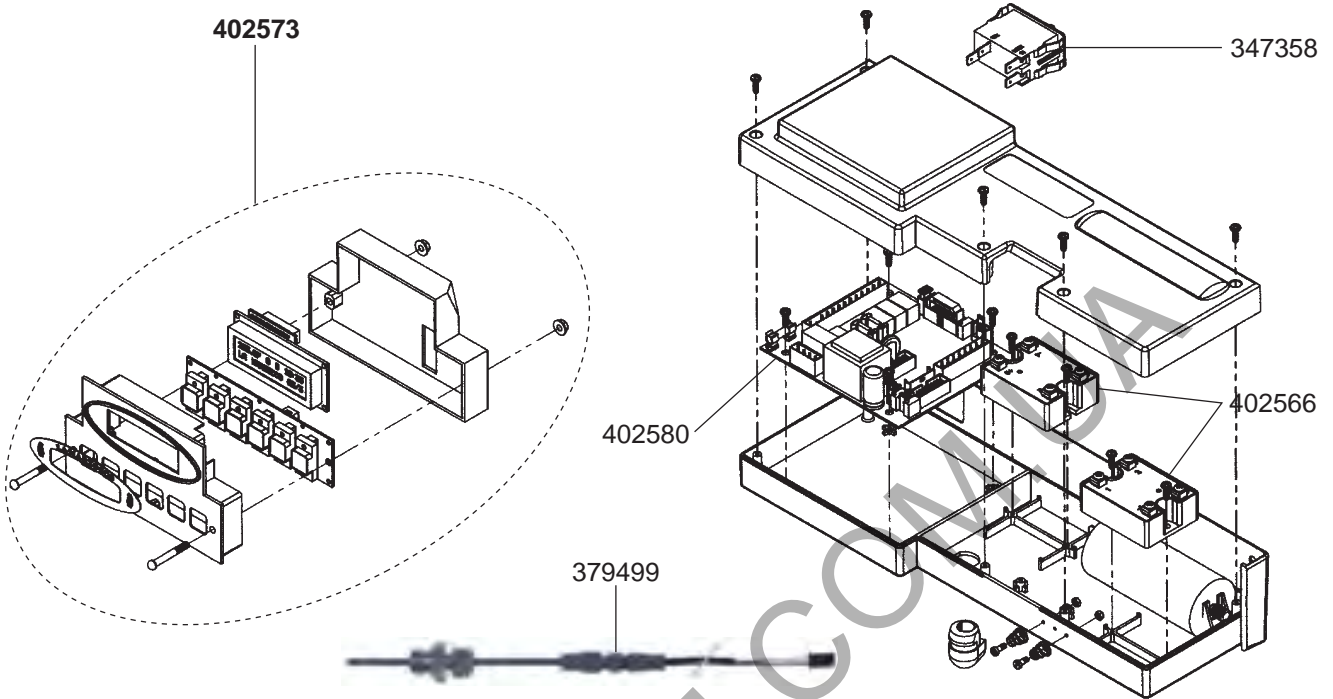
ELECTRICAL COMPONENTS LINEA/FB70



ELECTRICAL COMPONENTS LINEA/FB70



ELECTRICAL COMPONENTS GS3



ELECTRICAL COMPONENTS VARIOUS



ELECTRICAL COMPONENTS VARIOUS



346081



346082



346083



359155



402103
(GICAR REF. 9.1.40.71G)



400452
(GICAR REF. 9.9.12.08G)



400453
(GICAR REF. 9.9.10.42.G)

EXPERT-CM.COM.UA