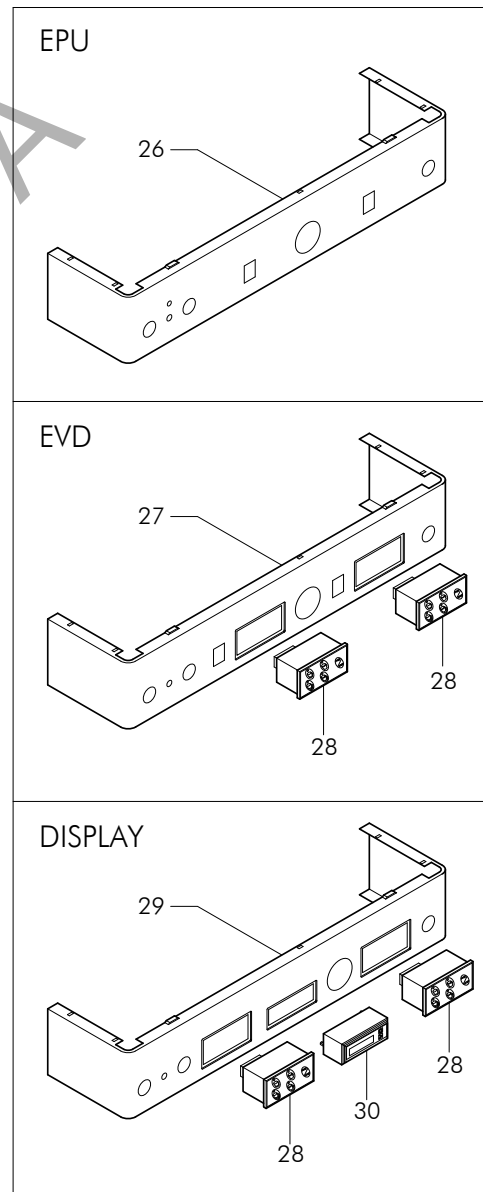
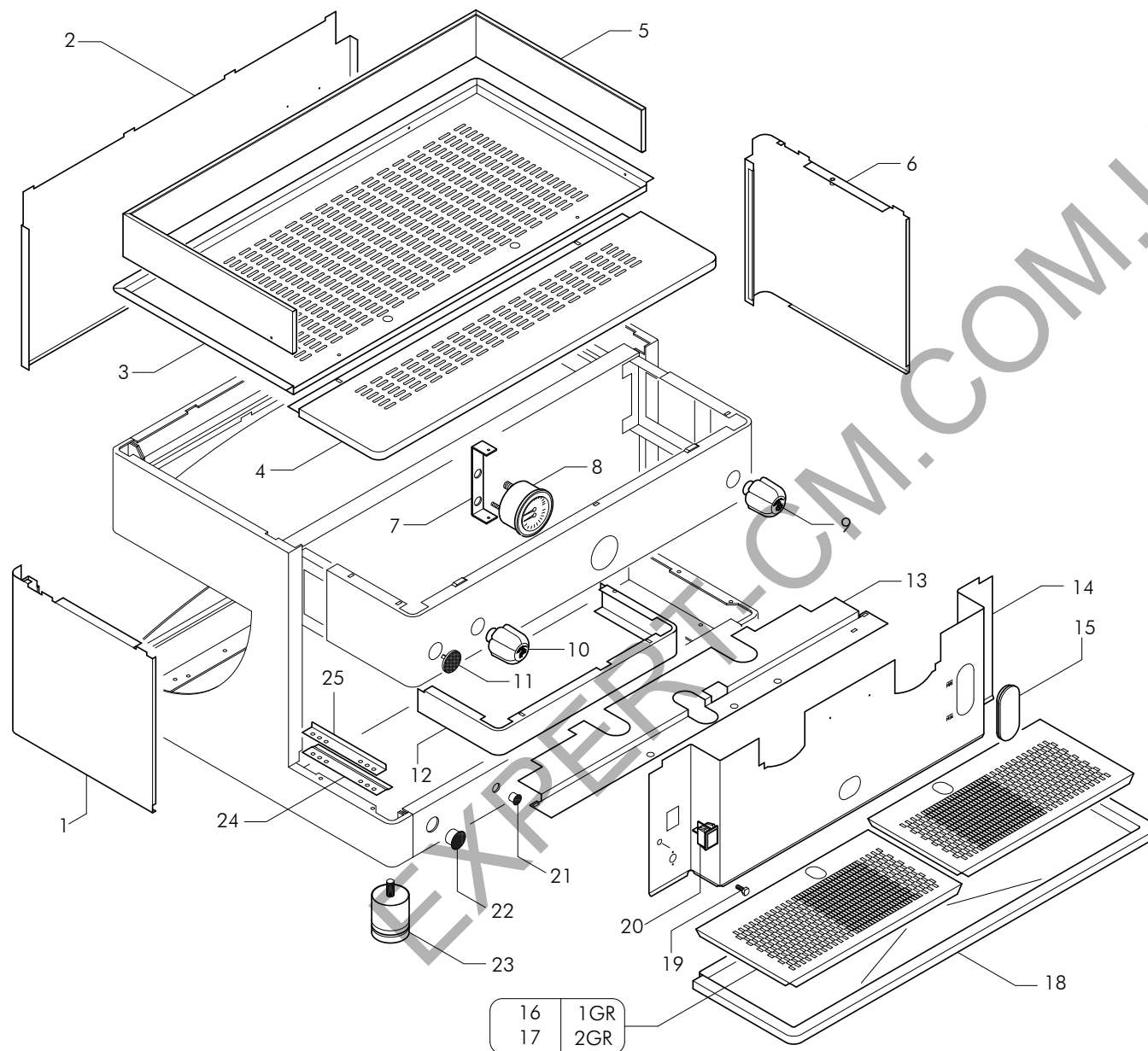


Catalogo ricambi - Spare parts catalogue - Catalogue des pièces détachées - Ersatzteile-Katalog

START-01	rev.00	CARROZZERIA - BODY PARTS - CARROSSERIE - KAROSSERIE
START-10	rev.00	Rubinetti ACQUA / VAPORE - Taps WATER / STEAM - Robinets EAU / VAPEUR - WASSERHAHN / DAMPFHAHN
START-20	rev.00	GRUPPO - GROUP - GROUPE - GRUPPE
START-31	rev.00	Caldaia 1GR - Boiler 1GR - Chaudière 1GR - Kessel 1GR
START-32	rev.00	Caldaia 2GR - Boiler 2GR - Chaudière 2GR - Kessel 2GR
START-41	rev.00	Impianto idraulico EPU/1 - Hydraulic circuit EPU/1 - Circuit hydraulique EPU/1 - Wasser anlage EPU/1
START-42	rev.00	Impianto idraulico EVD/1 - Hydraulic circuit EVD/1 - Circuit hydraulique EVD/1 - Wasser anlage EVD/1
START-43	rev.00	Impianto idraulico EPU/2 - Hydraulic circuit EPU/2 - Circuit hydraulique EPU/2 - Wasser anlage EPU/2
START-44	rev.00	Impianto idraulico EVD/2 - Hydraulic circuit EVD/2 - Circuit hydraulique EVD/2 - Wasser anlage EVD/2
START-50	rev.00	LIVELLO ACQUA - WATER LEVEL - NIVEAU EAU - WASSER NIVEAU
START-60	rev.00	Impianto elettrico EPU/EVD - Electrical system EPU/EVD - Circuit électrique EPU/EVD - Strom anlage EPU/EVD
START-61	rev.00	Impianto elettrico DISPLAY - Electrical system DISPLAY - Circuit électrique DISPLAY - Strom anlage DISPLAY
START-70	rev.00	MOTOPOMPA - MOTOR PUMP - MOTOPOMPE - MOTOR PUMP
START-80	rev.00	ADDOLCITORI - WATER SOFTENER - ADOUCISSEUR - ENTHARTER
START-81	rev.00	FILTRI e PORTAFILTRI - FILTERS & FILTER SUPPORT - FILTRE et PORTE FILTRE - FILTER und FILTERHALTERUNG
START-90	rev.00	ACCESSORI - ACCESSORIES - ACCESSOIRES - ZUBEHÖR

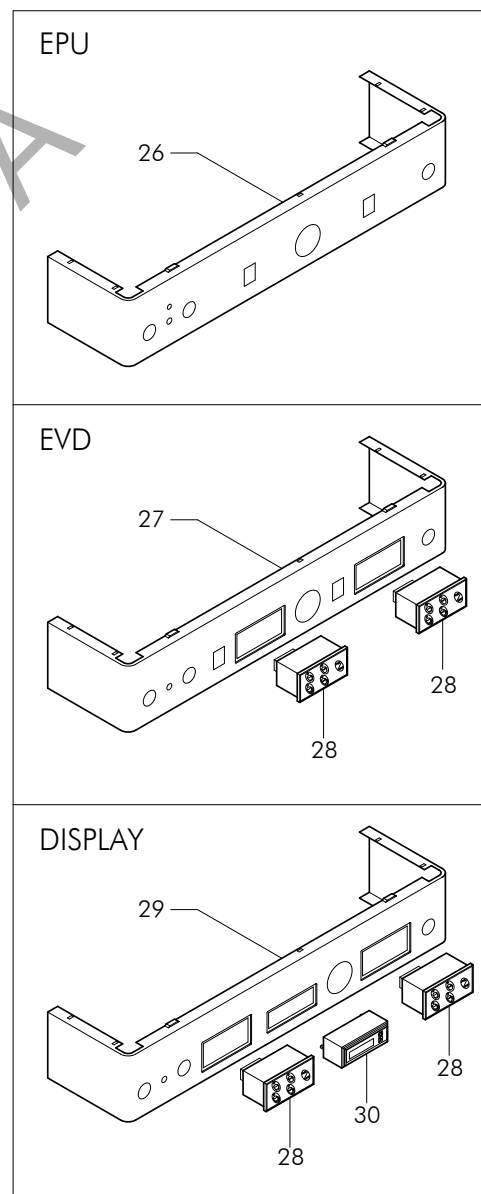
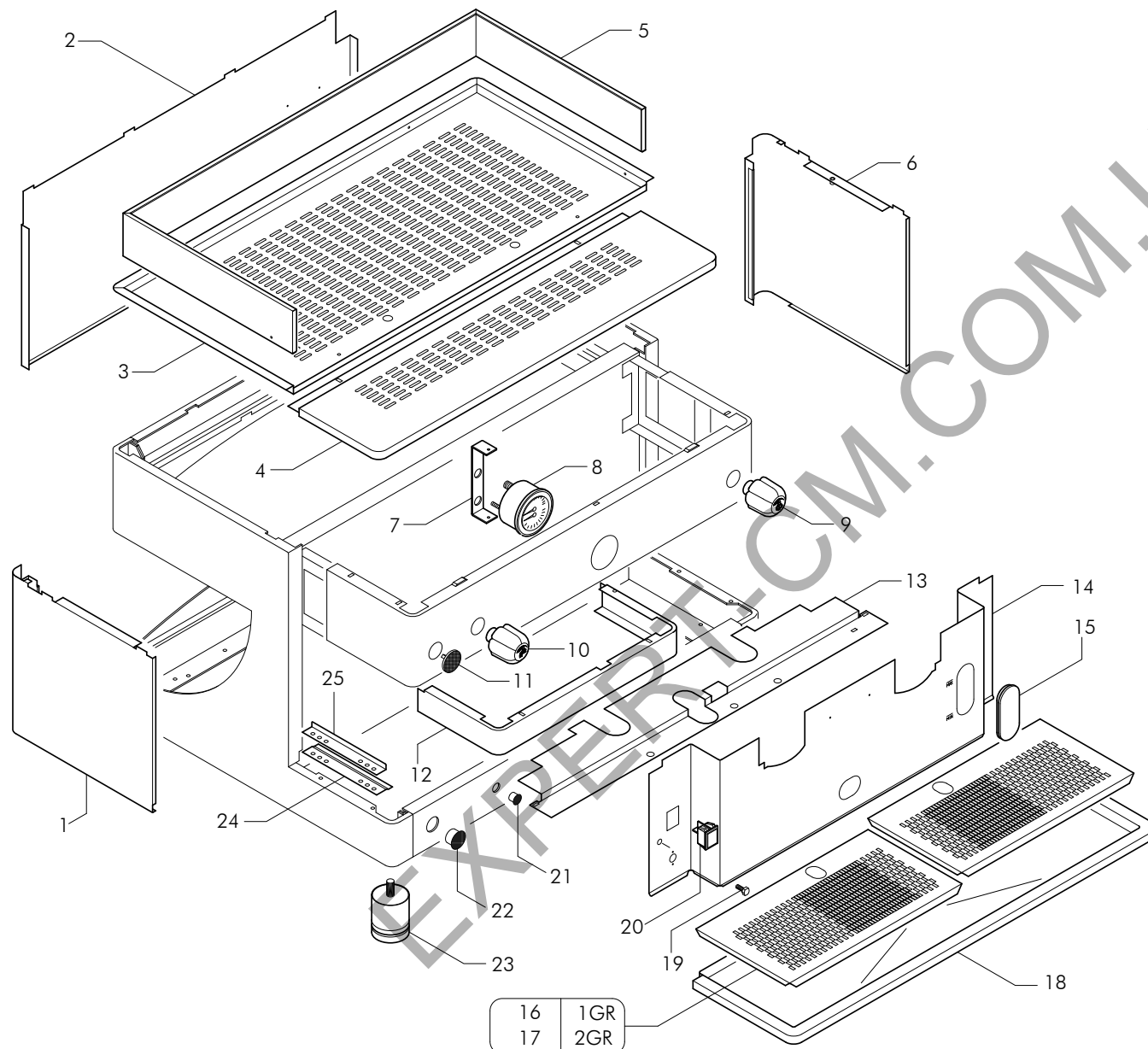
START



CARROZZERIA - BODY PARTS - CARROSSERIE - KAROSSERIE

rev. 00 01/2004

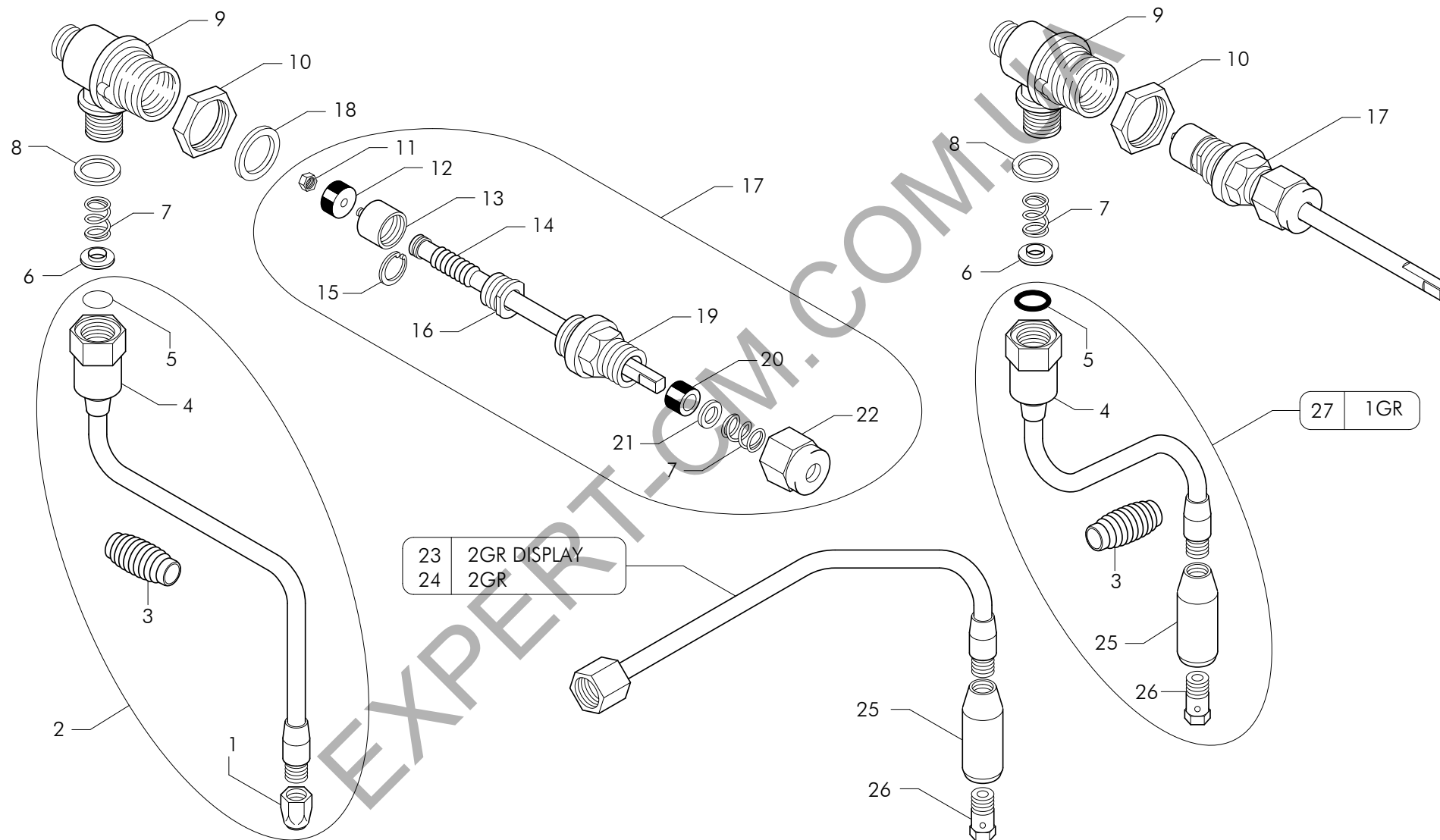
Pos	Cod.	Denominazione - IT -	Denomination - GB -	Denomination - FR -	Denomination - DE -
1	75826001	PANN.SINISTRO CARROZZERIA INOX/L	LEFT PANEL S.STEEL	PANNEAU GAUCHE INOX	STAHL-LINKTAFEL
2	75826002	PANNELLO POSTERIORE CENTR.2GR INOX/L	CENTRAL PANEL 2GR S.STEEL	PANNEAU CENTRAL 2GR INOX	HINTERE MITTLERE TAFEL 2GR STAHL
2	75826004	PANNELLO POSTERIORE CENTR.1GR INOX/L	CENTRAL PANEL 1GR S.STEEL	PANNEAU CENTRAL 1GR INOX	HINTERE MITTLERE TAFEL 1GR STAHL
3	76100096	GRIGLIA SUPERIORE 1GR START INOX/L	TOP GRATE 1GR S.STEEL	GRILLE SUP.1GR INOX	OBERGITTER 1GR STAHL
3	76100097	GRIGLIA SUPERIORE 2GR START INOX/L	TOP GRATE 2GR S.STEEL	GRILLE SUP.2GR INOX	OBERGITTER 2GR STAHL
4	72694021	COPRIGRUPPO 1GR START INOX INOX/L	S.STEEL GROUP-COVER 1GR	COUVRE-GROUPE INOX 1GR	STAHL-GRUPPENDECKEL 1GR
4	72694022	COPRIGRUPPO 2GR START INOX INOX/L	S.STEEL GROUP-COVER 2GR	COUVRE-GROUPE INOX 2GR	STAHL-GRUPPENDECKEL 2GR
5	77169003	PROF.SUP.COMPLETO 1GR START INOX/L	S.STEEL TOP SURROUND 1GR	PROFILS SUPERIEUR INOX 1GR	STAHL OBERUMRANDUNG 1GR
5	77169006	PROF.SUP.COMPLETO 2GR WE/RO INOX/L	S.STEEL TOP SURROUND 2GR	PROFILS SUPERIEUR INOX 2GR	STAHL OBERUMRANDUNG 2GR
6	75826000	PANNELLO DESTRO CARROZZERIA INOX/L	RIGHT PANEL S.STEEL	PANNEAU DROIT INOX	STAHL-RECHTAFEL
7	78150051	SUPPORTO MANOMETRO ER START	GAUGE SUPPORT 1>4GR	SUPPORT MANOMETRE 1>4GR	MANOMETERHALTER 1>4GR
8	21112	MANOMETRO TONDO D.SCALA	PRESSURE GAUGE	MANOMETRE	MANOMETER
9	15272	MANOPOLA RUBINETTO VAPORE	STEAM TAP KNOB	POIGNEE ROBINET VAPEUR	DAMPF-HAHNGRIFF
10	15273	MANOPOLA RUBINETTO ACQUA	WATER TAP KNOB	POIGNEE ROBINET EAU	WASSER-HAHNGRIFF
11	15486	TAPPO PLASTICA FORO 22>32,5 3586.AA01	PLASTIC CAP D24,7	BOUCHON PLASTIQUE D24,7	PLASTIKSTOPFEN D24,7
12	77691971	PROTEZIONE GRUPPI 1GR INOX/L	GROUP PROTECTION 1GR	PROTECTION GROUPE 1GR	GRUPPE SCHUTZGITTER 1GR
12	77691972	PROTEZIONE GRUPPI 2GR INOX/L	GROUP PROTECTION 2GR	PROTECTION GROUPE 2GR	GRUPPE SCHUTZGITTER 2GR
13	77308011	COPRIMPIANTO 1GR START	CABLE-COVER 1GR	COUVRE-CABLAGE 1GR	VERDRAHTUNGDECKEL 1GR
13	77308012	COPRIMPIANTO 2GR START	CABLE-COVER 2GR	COUVRE-CABLAGE 2GR	VERDRAHTUNGDECKEL 2GR
14	77053101	COPRICALDAIA 1GR INOX/L	S.STEEL BOILER COVER 1GR	COUVRE-CHAUDIERE INOX 1GR	KESSELDECKEL 1GR STAHL
14	77053102	COPRICALDAIA 2GR INOX/L	S.STEEL BOILER COVER 2GR	COUVRE-CHAUDIERE INOX 2GR	KESSELDECKEL 2GR STAHL
15	21202	SEGNALIVELLO OVE TUV INCOLORE	COLOURLESS LEVEL INDICATOR OVE-TUV	SIGNAL NIVEAU OVE-TUV	FARBLOSER NIVEAUANZEIGER OVE-TUV
16	76153000	GRIGLIA INF.WN01 INOX LUC.456X201	LOWER GRILL 456X201 SHINY S.STEEL	GRILLE INF.INOX 456X201	STAHL-UNTERGITTER 456X201
17	76154000	GRIGLIA INF.DX WN01 IN/LUC.338.5X201	RIGHT LOWER GRILL -SHINY S.STEEL	GRILLE INF.DROIT INOX 338,5X201	STAHL-UNTER-RECHTEGITTER 338,5X201
17	76155000	GRIGLIA INF.SX WN01 IN/LUC.338.5X201	LEFT LOWER GRILL - SHINY S.STEEL	GRILLE INF.GAUCHE INOX 338,5X201	STAHL-UNTER-LINKEGITTER 338,5X201
18	76095	BACINELLA 1GR INOX LUCIDO	1GR GLOSSY STAINLESS STEEL TRAY	CUVE 1GR INOX BRILLANT	STAHLSCHALE 1GR
18	76096	BACINELLA 2GR INOX LUCIDO	2GR GLOSSY STAINLESS STEEL TRAY	CUVE 2GR INOX BRILLANT	STAHLSCHALE 2GR
19	23420	VITE TE OTTONE M6X12 NICHELATA	M6X12NICKEL-PLATED BRASS HEX.HEAD SCREW	VIS TH LAITON M6X12 NICKEEE	SECHSKANTSCHRAUBE AUS MESSING M6X12
20	15486002	TAPPO FORO INTERRUPTORE	SWITCH HOLE PLUG	CAPUCHON TROU INTERRUPT.	ABDECKUNG SCHALTERLOCH
21	15483	TAPPO PLASTICA D12 DP/500	PLASTIC CAP D12 DP/500	BOUCHON PLASTIQUE D12 DP/500	PLASTIKSTOPFEN D12 DP/500
22	15482	TAPPO PLASTICA D22 DP/875	PLASTIC CAP D22 DP/875	BOUCHON PLASTIQUE D22 DP/875	PLASTIKSTOPFEN D22 DP/875
23	15318	PIEDINO REGOLABILE INOX/SAT H55/69	ADJUSTABLE FOOT H55/69	PIED REGLABLE H55/69	REGELBARER FUSS H55/69
23	15321	PIEDINO REGOLABILE INOX/SAT H88/102	ADJUSTABLE FOOT H88/102	PIED REGLABLE H88/102	REGELBARER FUSS H88/102
24	77742014	DISTANZIALE BACINELLA START	RH-LH BASIL GUIDE FOR FRAMES	GUIDE DX-SX CUVE X CHASSIS	FUHRUNG RECHTS-LINKS SCHALE
25	77742015	GUIDA DESTRA-SINISTRA BACINELLA TELAI ST	RH-LH BASIL GUIDE FOR FRAMES	GUIDE DX-SX CUVE X CHASSIS	FUHRUNG RECHTS-LINKS SCHALE
26	70664110	FRONTONE EPU/1 START INOX/L	FRONT PANEL EPU/1 S.STEEL	PANNEAU EPU/1 INOX	STIRNTAFEL EPU/1 STAHL
26	70664120	FRONTONE EPU/2 START INOX/L	FRONT PANEL EPU/2 S.STEEL	PANNEAU EPU/2 INOX	STIRNTAFEL EPU/2 STAHL
27	70664160	FRONTONE EVD/1 START INOX/L	FRONT PANEL EVD/1 S.STEEL	PANNEAU EVD/1 INOX	STIRNTAFEL EVD/1 STAHL
27	70664170	FRONTONE EVD/2 START INOX/L	FRONT PANEL EVD/2 S.STEEL	PANNEAU EVD/2 INOX	STIRNTAFEL EVD/2 STAHL



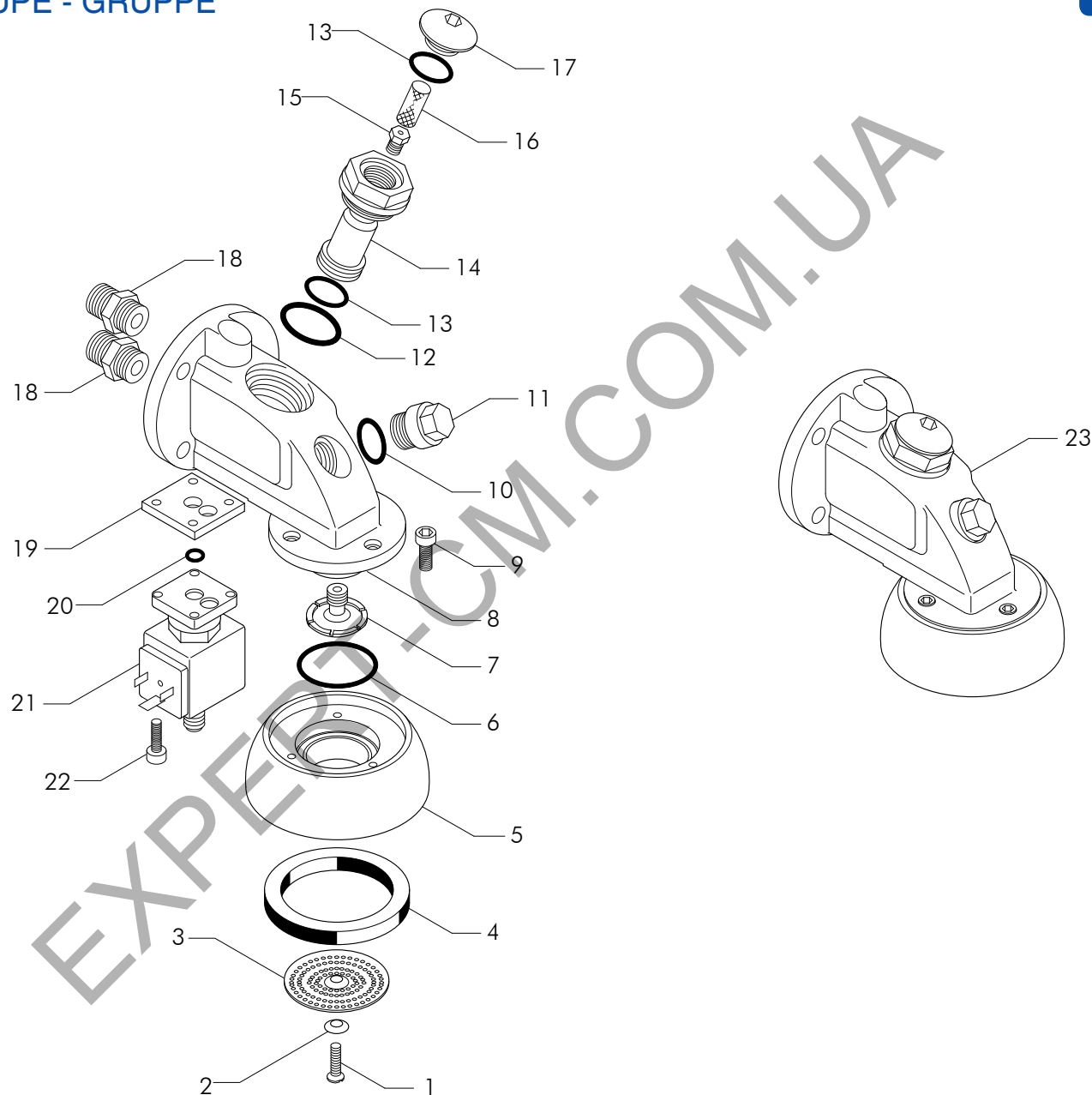
CARROZZERIA - BODY PARTS - CARROSSERIE - KAROSSERIE

Pos	Cod.	Denominazione - IT -	Denomination - GB -	Denomination - FR -	Denomination - DE -
28	18371049	PULSANTIERA 5T	TOUCH PAD 5T	CLAVIER A TOUCHES 5T	DRUCKNOPFTAFEL 5T
29	70664161	FRONTONE EVD/1 DISPLAY START INOX/L	FRONT PANEL EVD/1 S.STEEL	PANNEAU EVD/1 INOX	STIRNTAFEL EVD/1 STAHL
29	70664171	FRONTONE EVD/2 DISPLAY START INOX/L	FRONT PANEL EVD/2 S.STEEL	PANNEAU EVD/2 INOX	STIRNTAFEL EVD/2 STAHL
30	26020	CONTABATTUTE CON DISPLAY 01.43.0021	DISPLAY 01.43.0021	DISPLAY 01.43.0021	DISPLAY 01.43.0021

EXPERT-CM.COM.UA

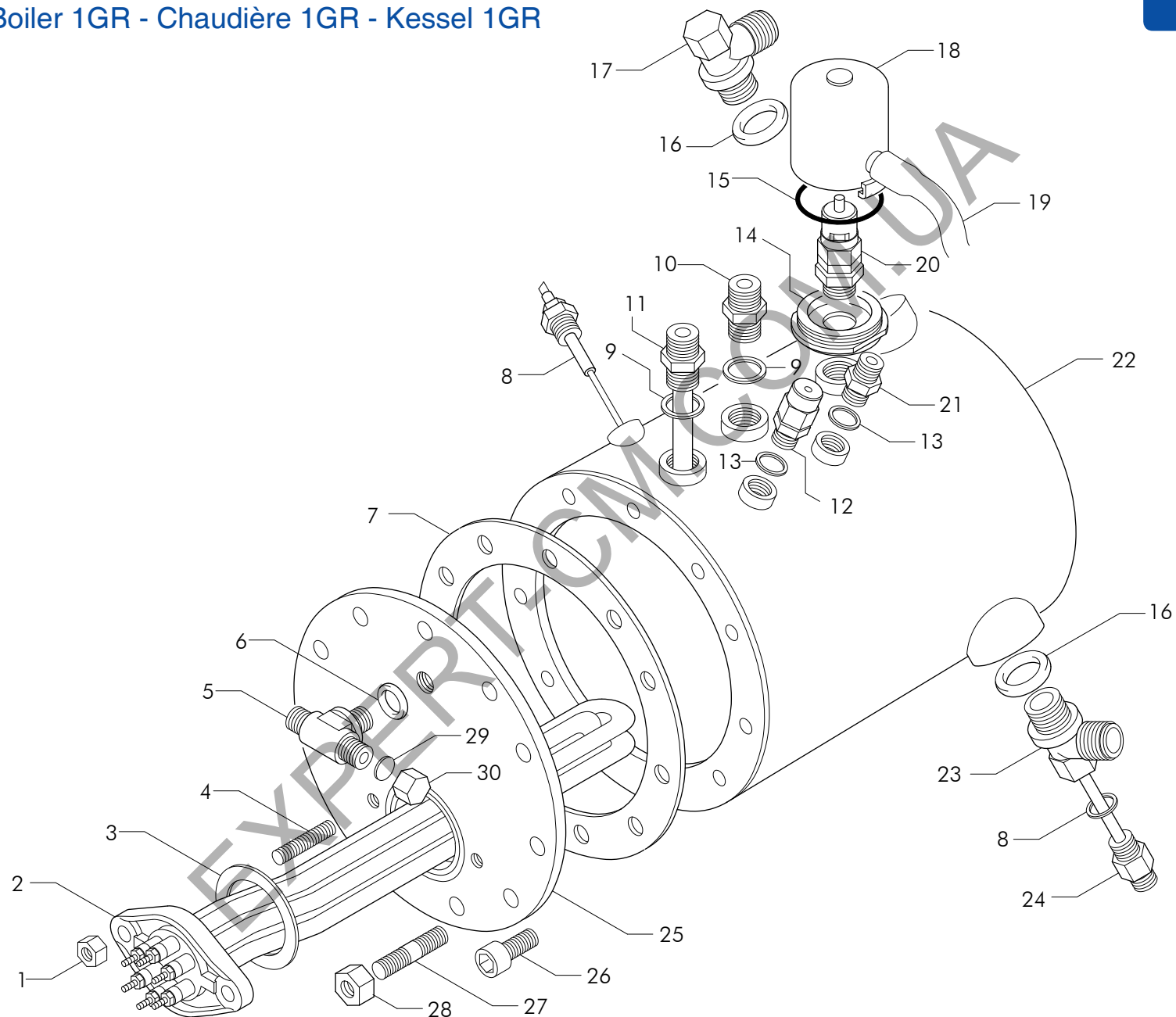


Pos	Cod.	Denominazione - IT -	Denomination - GB -	Denomination - FR -	Denomination - DE -
1	25762	SPRUZZATORE VAPORE CROMATO	STEAM NOZZLE - CHROMED	ATOMISEUR VAPEUR - CHROME'	DAMPFDUSE - CHROM
2	56119001	ASSIEME TUBO VAP.CR. A56/W	STEAM TUBE A56/W	TUYAU VAPEUR A56/W	DAMPF ROHR A56/W
3	15296000	GOMMINO ANTISCOT.RA X TUBO VAP.D8	ANTI-BURNING RUBBER EL. FOR STEAM PIPE D	ELEMENT ANTI-BRULURE POUR TUYAU VAP.D8	GUMMI GEGEN VERBRENNUNGEN F. DAMPFROHR D
4	25391	DADO CANNA VAP/H2O X MOLLA CROMATO	NUT PIPE WATER/STEAM FOR SPRING	ECROU TUYAU VAPEUR/EAU POUR RESSORT	WASSER/DAMPF ROHRMUTTER FUR FEDER
5	12300	GUARNIZIONE OR 113 NBR/70	O RING GASKET 113 NBR/70	JOINT OR 113 NBR/70	OR-DICHTUNG 113 NBR/70
6	25657	RONDELLA MOLLA VAPORE	STEAM SPRING WASHER	RONDELLE RESSORT VAPEUR	SCHEIBE FÜR DAMPFEDER
7	10452	MOLLA RUBINETTO H2O/VAPORE N4	WATER/STEAM TAP SPRING N4	RESSORT DE ROBINET EAU-VAPEUR N4	WASSER/DAMPF HAHNFEDER N4
8	12010	GUARNIZIONE TEFLON X H2O/VAP 21X17X2 CNN	W/S PIPE GASKET TEFLON 21X17X2	JOINT TUYAU TEFLON EAU/VAP TEFLON 21X17X	TEFLON-DICHTUNG X H2O/VAP 21X17X2 CNN
9	53003	CORPO RUBINETTO	TAP BODY	CORPS DE ROBINET	HAHNKÖRPER
10	25384	DADO OTTONE M26X1.5	BRASS NUT 26X1.5	ECROU LAITON 26X1.5	MESSING-MUTTER 26X1.5
11	23050	DADO OTTONE M3 UNI 5587	BRASS NUT M3 UNI 5587	ECROU LAITON M3 UNI 5587	MESSING-MUTTER M3 UNI 5587
12	12203	GUARNIZIONE GOMMA 15X4X4	RUBBER GASKET 15X4X4	JOINT EN CAOUTCHOUC 15X4X4	GUMMIDICHTUNG 15X4X4
13	25616	PISTONCINO RUBINETTO	TAP JUMPER	PISTON ROBINET	HAHNKOLBEN
14	25309	ASTA RUBINETTO CROMATA	CHROMED TAP SHAFT	TIGE ROBINET CHROME	HAHNSTANGE CHROM
15	10001	ANELLO ARRESTO D6 INOX 316 DIN 6799	STEEL CIRCLIP 316 DIN 6799	CIRCLIP INOX 316 DIN 6799	STAHLHALTENRING 316 DIN 6799
16	25461	GHIERA RUBINETTO	TAP RING NUT	EMBOUT ROBINET	HAHNZWINGE
17	561001	ASSIEME RUBINETTO H2O/VAPORE	WATER/STEAM TAP UNIT	ENSEMBLE ROBINET EAU/VAPEUR	WASSER/DAMPF ROHRSATZ
18	12158	GUARNIZIONE CU RUB.26X20.5X2	26X20.5X2 COPPER SEAL	JOINT CUIVRE 3/8 22X17X1.5	KUPFERDICHTUNG 3/8 22X17X1.5
19	25678001	RACCORDO RUBINETTO	TAP FITTING	RACCORD ROBINET	HAHNANSCHLUSSTUCK
20	12204	GUARNIZIONE GOMMA RUBINETTO H2O/VAP 12.5	W/S TAP RUBBER GASKET 12.5X7.5X9	JOINT CAOUTCHOUC ROB. EAU/VAP 12.5X7.5X9	HAHNDICHTUNG W/D 12.5X7.5X9
21	25655	RONDELLA RUBINETTO	TAP WASHER	RONDELLE ROBINET	HAHNSCHEIBE
22	25385	DADO PREMISTOPPA RUBINETTO	TAP STUFFING NUT	ECROU DE PRESSE-ETOUPE ROBINET	STOPFBUCHSE MUTTER - HAHN
23	56119026	ASS.TUBO H2O FISSA 4GR A/54D	WATER PIPE 4GR A54/D	TUYAU EAU 4GR A54/D	ROHR WASSER 4GR A54/D
24	56119003	ASS.TUBO H2O FISSA A/54C	WATER PIPE A54/C	TUYAU EAU A54/C	ROHR WASSER A54/C
25	30250	SPRUZZATORE ESTERNO H2O OTT CROMATO	EXTERNAL SPRAYER H2O CHROMIUM PLATE	PULVERISATEUR EXTERNE H2O LAITON CH	AUSSENSPRITZDÜSE H2O MESSING, VERCH
26	25761	SPRUZZATORE INTERNO H2O	INTERNAL SPRAY H2O	PULVERISATEUR INT. H2O	H2O - INNENSPRITZDÜSE
27	56119005	ASS.TUBO H2O "S" CR. W/66	WATER TUBE "S" W/66	TUYAU EAU "S" W/66	WASSER ROHR "S" W/66



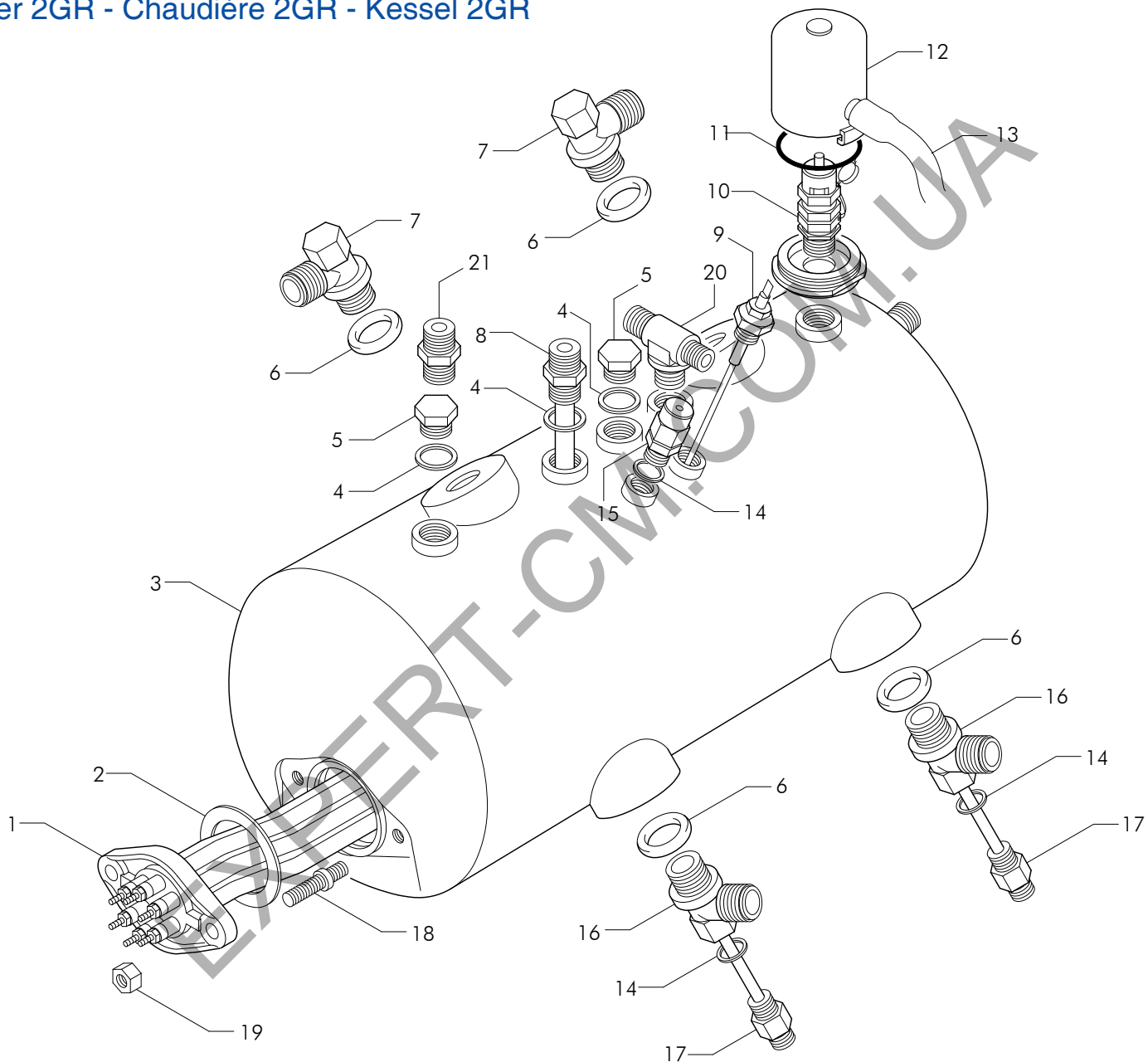
GRUPPO - GROUP - GROUPE - GRUPPE

Pos	Cod.	Denominazione - IT -	Denomination - GB -	Denomination - FR -	Denomination - DE -
1	23514	VITE TPS INOX 5X20 TAGLIO CACC.	5X20 STAINLESS STEEL FLATHEAD SCREW	VIS TPS INOX 5X20 DE TOURNEVIS	SCHRAUBE TPS ROSTFREI5X20 SCHRAUBEN
2	23260014	RONDELLA INOX 12X5 DOCCETTA	INOX WASHER 12X5	RONDELLE INOX 12X5 DOUCHETTE	STAHL SCHEIBE 12X5 DUSCHE
3	27100	DOCCETTA GRUPPO ER 51.9	GROUP SHOWER PLATE 51.9	DOUCHETTE GROUPE ER 51.9	DUSCHE VERTEILEREINHEIT 51.9
4	12227	GUARNIZIONE SOTTOCOPPA 73,5X57,5X8 WE AL	GROUP UNDERCUP SEAL 73,5X57,5X8	JOINT SOUCOUPPE 73,5X57,5X8	FILTERGRIFFDICHTUNG 73,5X57,5X8
5	25250002	ANELLO AGGANCIATORE VE CROMATO	CHROMED CLAMPING RING	SABOT CHROME	CHROM GRUPPENRING
6	12300034	GUARNIZIONE OR 3137 VITON 70SH	O RING SEAL 3137 VITON	JOINT OR 3137 VITON	O-RINGDICHT. 3137 VITON
7	27105000	DIFFUSORE GRUPPO X ADATTATORE	SPRAIER GROUP	DIFFUSEUR GROUPE	DIFFUSOR VERTEILEREINHEIT
8	25368009	CORPO GRUPPO ER CTS VE	DISTRIBUTION GROUP CTS VE	CORPS GROUPE DEBIT CTS VE	KORPER DER ABGABEGRUPPE CTS VE
9	23552	VITE TCEI INOX 5X10	STEEL SCREW TCCE 5X10	VIS INOX TCCE 5X10	STAHLSCHRAUBE TCCE 5X10
10	12303	GUARNIZIONE OR 119 VITON TAPPO GRUPPO /	CAP O RING GASKET 119	JOINT OR 119 POUR BOUCHON	OR DICHTUNG FUR STOPFEN 119
11	25789301	TAPPO CAMERA PREINFUSIONE GRP ESTR.DV	CAP GROUP	BOUCHON GROUPE	STOPFEN ABGABEGRUPPE
12	12300027	GUARNIZIONE OR 0134 EPDM 25,8X3,53	O RING GASKET 0134 25.8X3.53	JOINT OR 0134 25.8X3.53	OR DICHTUNG 0134 25.8X3.53
13	12300026	GUARNIZIONE OR 0123 EPDM 17,86X2,62	O RING GASKET 0123 17.86X2.62	JOINT OR 0123 17.86X2.62	OR DICHTUNG 0123 17.86X2.62
14	25739502	PORTAGIGLER GRUPPO CTS 03	NOZZLE HOLDER GROUP	PORTE-GICLEUR GROUPE	DUSEHALTER GRUPPE
15	10300A	GIGLER OTT. X GRUPPO D 0.6	BRASS UNIT FOR JET D 0.6	GIGLEUR LAITON POUR GROUPE D 0.6	VERMESSINGTE GRUPPENDÜSE D 0.6
16	10253	FILTRO GIGLER GRUPPO W527	JET FILTER	FILTRE GICLEUR	DUSE FILTER
17	25789306	TAPPO PORTA GIGLEUR GRUPPO CTS 03	CAP GROUP JET	BOUCHON GIGLEUR	STOPFEN EINSPRITZDUSE
18	25687002	RACCORDO 3/8X3/8 GAS GRP CTS 03	CONNECTOR 3/8X3/8 CTS 03 UNIT	RACCORD 3/8X3/8 GR. CTS 03	ANSCHLUSS 3/8X3/8 CTS 03
19	12013	GUARNIZIONE PTFE LV 2030 ELETTROVALVOLA	GASKET FOR SOLENOID VALVE GR PTFE	JOINT POUR ELECTROVANNE GR PTFE	MAGNETVENTILDICHT.GR PTFE LV 2030
20	12305	GUARNIZIONE OR 105 GR.ELETT.VITON 70SH	O RING SEAL 105 GREEN VITON SOLENOI	JOINT OR 105 GR. ELECT. VITON VERT 70SH	O-RINGDICHT. 105 EKELTR. EINHEIT VITON G
21	18151	ELETTROVALVOLA GRUPPO 220/240V 50-60HZ	GROUP SOLENOID VALVE 220/240 50-60	ELECTROVANNE GROUPE 220/240 50-60	GRUPPENMAGNETVENTIL 220/240 50-60
22	23560	VITE TCEI INOX 4X16	SCREW TCCE S.STEEL 4X16	VIS TCCE INOX 4X16	STAHLSCHRAUBE TCCE 4X16
23	56080003	GRUPPO CTS VE 230/50-60	DISTRIBUTION GROUP CTS 230/50-60	GROUPE DEBIT CTS 230/50-60	AUSGABEGRUPPR CTS 230/50-60



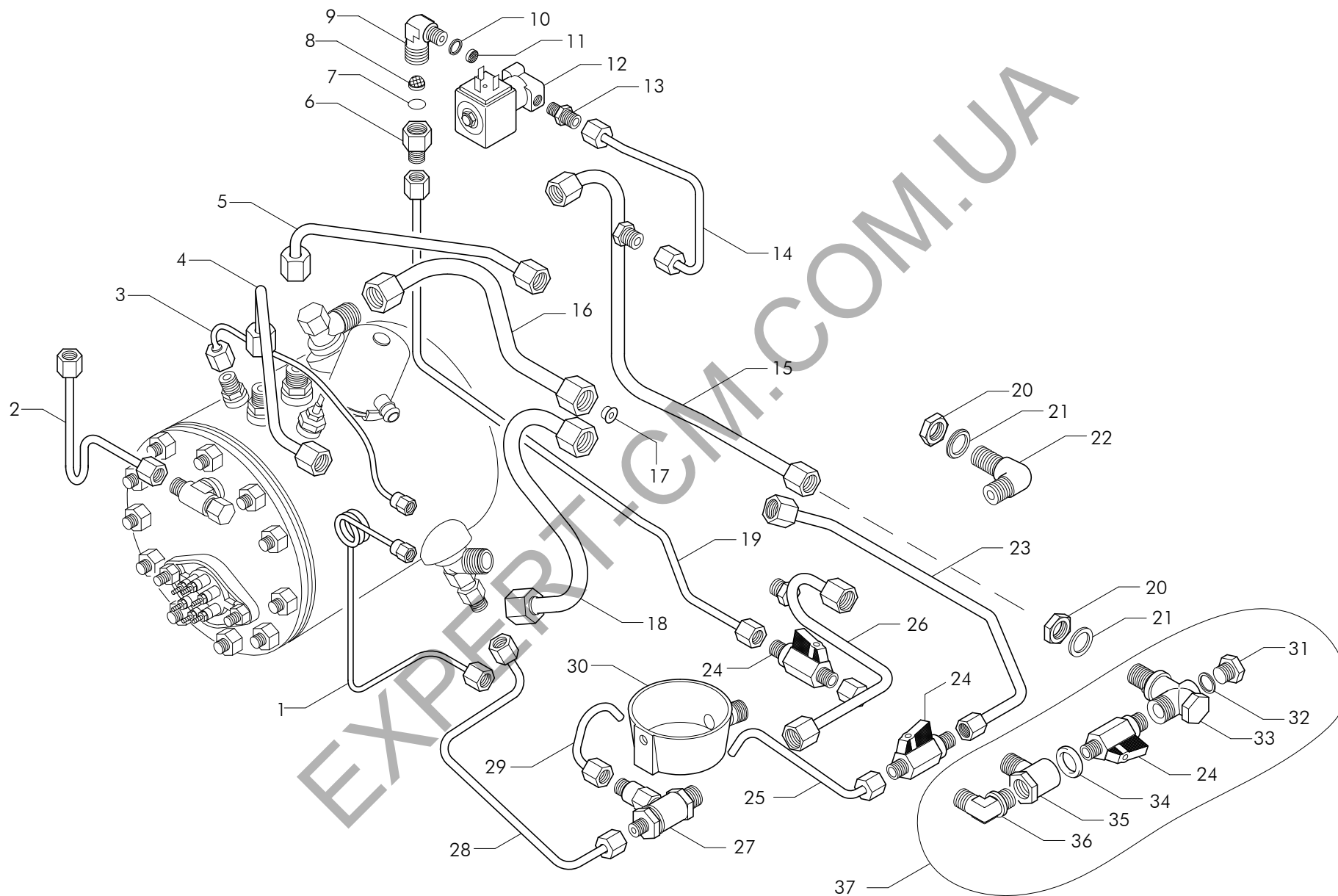
Caldaia 1GR - Boiler 1GR - Chaudière 1GR - Kessel 1GR

Pos	Cod.	Denominazione - IT -	Denomination - GB -	Denomination - FR -	Denomination - DE -
1	23049	DADO OTTONE M8 UNI 5587	BRASS NUT M8 UNI 5587	ECROU LAITON M8 UNI 5587	MESSING-SCHRAUBENMUTTER M8 UNI 5587
2	17001	RESISTENZA 1GR 4P 120V 2000W	HEATING ELEMENT 1GR 110V-2000W	RESISTANCE ELECTRIQUE 1GR 110V2000W	HEIZKORPER 1 GR 110V 2000W
2	17012	RESISTENZA 1GR 6P 230/380V 2700W	HEAT.ELEM.1GR 230/380V 2700W 6POLES	RESISTANCE 1GR 230/380V 2700W/6POLES	HEIZKORPER 1GR 230/380V 2700W 6POLES
3	12001	GUARNIZIONE TEFLON VERGINE X RES/SCA 58X	TEFLON GASKET ELEMENT/EXCH. 58X43X2	JOINT TEFLON RESIST/ECHANG. 58X43X2	TEFLON DICHTUNG 58X23X2
4	23133	PRIGIONIERO INOX AISI304 8X30 DIN 939	STAINLESS STEEL BOLT AISI304 8X40	VIS INOX AISI304 8X40	STAHLSCHRAUBE 8X40 AISI304 8X40
5	43060	RACCORDO 1/4X1/4X1/4 T	'T' CONNECTOR 1/4 + 1/4 + 1/4	RACCORD 'T' 1/4 + 1/4 + 1/4	T'-ANSCHLUSS 1/4+1/4+1/4
6	12100	GUARNIZIONE CU/ALIM 1/4 18.7X13.2X2.5	CU GASKET 1/4 18.7X13.2X2.5	JOINT CU 1/4 18.7X13.2X2.5	CU DICHTUNG 1/4 18.7X13.2X2.5
7	12003	GUARNIZIONE TEFLON VERGINEXCALDAIA 190X1	BOILER TEFLON GASKET 190X139X2	JOINT CHAUDIERE TEFLON 190X139X2	TEFLON KESSELDICHTUNG 190X139X2
8	20251	SONDA LIVELLO TL 10/B L125 908600	TL 10/B L125 900000 LEVEL PROBE	JAUGE TL 10/B L125 900000	PEGELFÜHLER TL 10/B L125 900000
9	12154	GUARNIZIONE CU 3/8 22X17X1.5	3/8 22X17X1.5 COPPER SEAL	JOINT CUIVRE 3/8 22X17X1.5	KUPFERDICHTUNG 3/8 22X17X1.5
10	25687	RACCORDO 3/8X3/8 GAS	3/8X3/8 GAS FITTING	RACCORD 3/8X3/8 GAZ	ANSCHLUSS 3/8X3/8 GAS
11	52001612	TBS.D-10 L.115 1>4GR DE 13	TUBE D-10 L.115 1>4GR DE 13	TUYAU D-10 L.115 1>4GR DE 13	ROHR D-10 L.115 1>4GR DE 13
12	56150	VALVOLA ANTIRISUCCHIO V.A.R.	ANTI-EDDY VALVE V.A.R.	SOUPAPE ANTI-DEPRESSION V.A.R.	VENTIL UNTERDRUCKFREI V.A.R.
13	12153	GUARNIZIONE CU 1/4 17X13.3X1.5	1/4 17X13.3X1.5 COPPER SEAL	JOINT CUIVRE 1/4 17X13.3X1.5	KUPFERDICHTUNG 1/4 17X13.3X1.5
14	15006001	FLANGIA GRIGOLY VALVOLA SIC.	FLANGE GRIVORY VALVE	JOINT GRIVORY VANNE	FLANSCH GRIVORY VENTIL
15	12300000	GUARNIZIONE OR 3156 VITON X PISTONI	O RING VITON	JOINT OR VITON	OR DICHTUNG VITON
16	12105	GUARNIZIONE CU/ALIM 1/2 GAS	CU GASKET 1/2 GAS	JOINT CU 1/2 GAZ	CU DICHTUNG 1/2 GAS
17	23214	RACCORDO 1/2 L	CONNECTOR 1/2 L	RACCORD 1/2 L	FITTING 1/2 L
18	56009980	ASSIEME PROTEZIONE VALVOLE SICUREZZA	UNIT PROTECTION VALVE	ENSEMBLE PROTECTION VANNE	SATZ-SCHUTZGITTER VENTIL
19	15478002	TUBO SILICONE 8X11 L.70CM	SILICONE TUBE 8X11 L.70CM	TUYAU SILICONE 8X11 L.70CM	SILIKONROHR 8X11 L.70CM
20	20352	VALVOLA DI SICUREZZA *CE*	*CE* SAFETY VALVE	SOUPAPE DE SECURITE *CE*	SICHERHEITSVENTIL *CE*
21	25686	RACCORDO 1/4X1/4 FLANGIA	CONNECTOR 1/4 X 1/4 FLANGE	RACCORD 1/4 X 1/4 BRIDE	ANSCHLUSS 1/4X1/4 FLANSCH
22	62050001	CALDAIA 1GR ER SC.D-60	BOILER 1GR - DISTRIBUTION	CHAUDIERE 1GR - DEBIT	KESSEL 1GR - AUSGABE
23	23215	RACCORDO 1/2 T	CONNECTOR 'T' 1/2	RACCORD 1/2 "T"	FITTING 1/2 "T"
24	52002788	TBS.D-6 L.85 1-4GR W 67 INIETTORE	DRAIN TUBE D6 L85 1-4GR	TUYAU A VIDANGER D6 L85 1-4GR	ROHR D-6 L.85
25	53011	FLANGIA NORMALE SENZA FORI	FLANGE WITHOUT HOLES	BRIDE SANS TROUS	NORMALER FLANSCH OHNE LÖCHER
26	23556	VITE TCEI INOX 10X20 UNI5931 DIN912	STEEL SCREW TCCE 10X20	VIS INOX TCCE 10X20	STAHLSCHRAUBE TCCE 10X20
27	23135	PRIG.INOX MEM ASTM-A193 B8 10X32 CT	STEEL BOLT ASTM-A193 B8 10X32 CT	VIS INOX ASTM-A193 B8 10X32 CT	STAHLSCHRAUBE ASTM-A193 B8 10X32 CT
28	23052	DADO OTTONE M10 UNI 5587 #	TOP BRASS NUT M10 UNI 5587	ECROU LAITON SUPERIEUR M10 UNI 5587	UNTER/MESSING MUTTER M10 UNI 5587
29	12007	GUARNIZIONE KLINGERSIL4400	KLINGERSIL4400 COPPER SEAL	JOINT KLINGERSIL4400 POUR BOUCHON	DICHTUNG KLINGER SIL4400 X DECKEL
30	25782	TAPPO FEMMINA 1/4 GAS	1/4 GAS FEMALE TAP	BOUCHON FEMELLE 1/4 GAZ	INNENANSCHLUSSSTÖPSEL 1/4 GAS



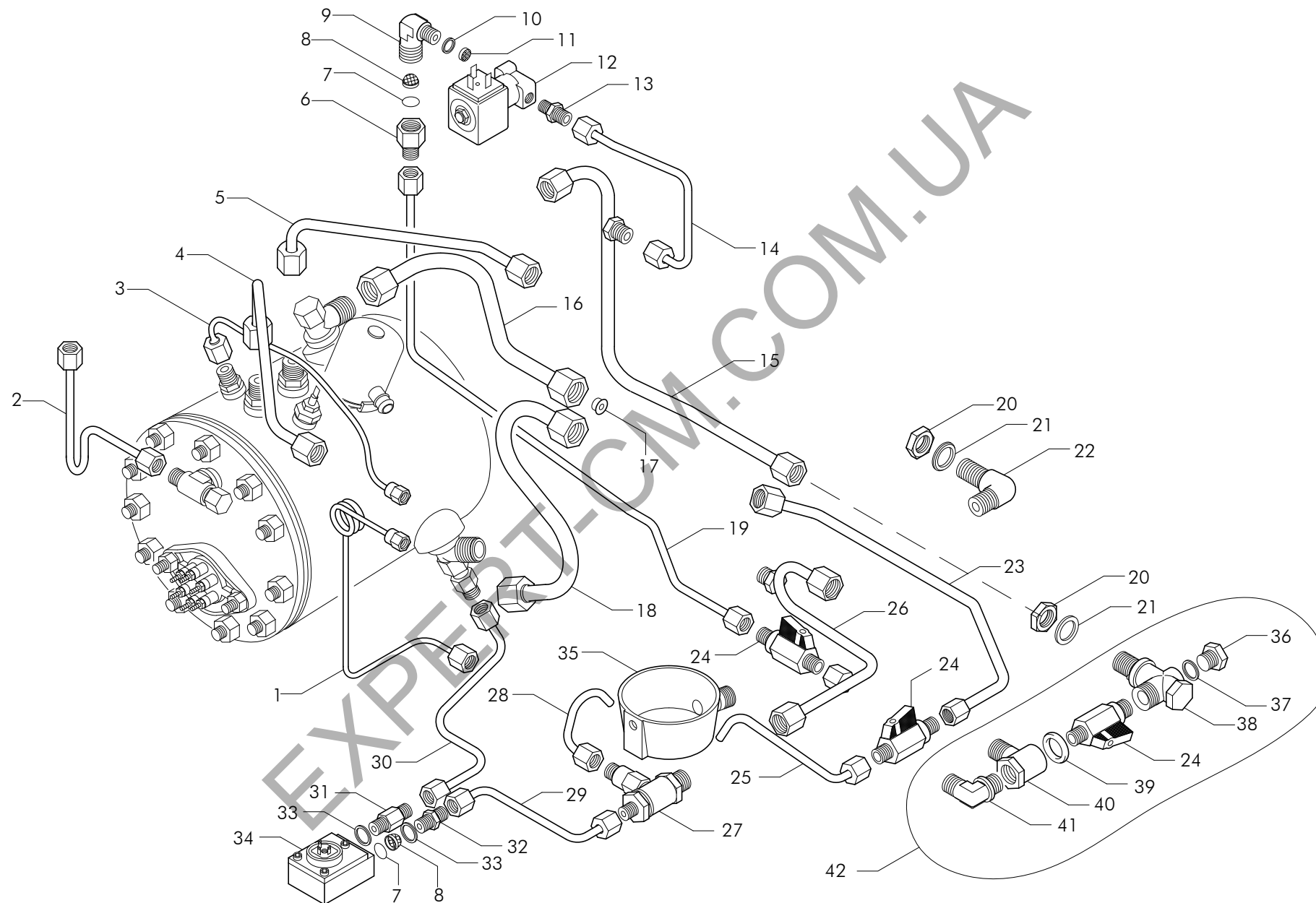
Caldaia 2GR - Boiler 2GR - Chaudière 2GR - Kessel 2GR

Pos	Cod.	Denominazione - IT -	Denomination - GB -	Denomination - FR -	Denomination - DE -
1	17051	RESISTENZA 2GR 4P 230/240V 2600W	HEATING ELEMENT 2GR 220V/240V-2600W	RESISTANCE ELEC.2GR 220V/240V-2600W	HEIZKORPER 2GR 220V/240V 2600W
1	17059	RESISTENZA 2GR 6P 230/380V 3400W	HEATING EL.2GR 220/380V-3400W 6POLE	RESISTANCE 2GR 220/380V-3400W 6POLE	HEIZKORPER 2GR 220/380V-3400W 6P
2	12001	GUARNIZIONE TEFLON VERGINE X RES/SCA 58X	TEFLON GASKET ELEMENT/EXCH. 58X43X2	JOINT TEFLON RESIST/ECHANG. 58X43X2	TEFLON DICHTUNG 58X23X2
3	62203	CALDAIA 2GR ER ECO	BOILER 2GR ECO	CHAUDIERE 2GR ECO	KESSEL 2GR ECO
4	12154	GUARNIZIONE CU 3/8 22X17X1.5	3/8 22X17X1.5 COPPER SEAL	JOINT CUIVRE 3/8 22X17X1.5	KUPFERDICHTUNG 3/8 22X17X1.5
5	25785	TAPPO MASCHIO 3/8	MALE CAP 3/8	BOUCHON MALE 3/8	STOPFEN 3/8
6	12105	GUARNIZIONE CU/ALIM 1/2 GAS	CU GASKET 1/2 GAS	JOINT CU 1/2 GAZ	CU DICHTUNG 1/2 GAS
7	23214	RACCORDO 1/2 L	CONNECTOR 1/2 L	RACCORD 1/2 L	FITTING 1/2 L
8	52001612	TBS.D-10 L.115 1>4GR DE 13	TUBE D-10 L.115 1>4GR DE 13	TUYAU D-10 L.115 1>4GR DE 13	ROHR D-10 L.115 1>4GR DE 13
9	20251	SONDA LIVELLO TL 10/B L125 908600	TL 10/B L125 900000 LEVEL PROBE	JAUGE TL 10/B L125 900000	PEGELFÜHLER TL 10/B L125 900000
10	20352	VALVOLA DI SICUREZZA *CE*	*CE* SAFETY VALVE	SOUPAPE DE SECURITE *CE*	SICHERHEITSVENTIL *CE*
11	12300000	GUARNIZIONE OR 3156 VITON X PISTONI	O RING VITON	JOINT OR VITON	OR DICHTUNG VITON
12	56009980	ASSIEME PROTEZIONE VALVOLE SICUREZZA	UNIT PROTECTION VALVE	ENSEMBLE PROTECTION VANNE	SATZ-SCHUTZGITTER VENTIL
13	15478002	TUBO SILICONE 8X11 L.70CM	SILICONE TUBE 8X11 L.70CM	TUYAU SILICONE 8X11 L.70CM	SILIKONROHR 8X11 L.70CM
14	12153	GUARNIZIONE CU 1/4 17X13.3X1.5	1/4 17X13.3X1.5 COPPER SEAL	JOINT CUIVRE 1/4 17X13.3X1.5	KUPFERDICHTUNG 1/4 17X13.3X1.5
15	56150	VALVOLA ANTIRISUCCHIO V.A.R.	ANTI-EDDY VALVE V.A.R.	SOUPAPE ANTI-DEPRESSION V.A.R.	VENTIL UNTERDRUCKFREI V.A.R.
16	23215	RACCORDO 1/2 T	CONNECTOR 'T' 1/2	RACCORD 1/2 "T"	FITTING 1/2 "T"
17	52002788	TBS.D-6 L.85 1-4GR W 67 INIETTORE	DRAIN TUBE D6 L85 1-4GR	TUYAU A VIDANGER D6 L85 1-4GR	ROHR D-6 L.85
18	23135	PRIG.INOX MEM ASTM-A193 B8 10X32 CT	STEEL BOLT ASTM-A193 B8 10X32 CT	VIS INOX ASTM-A193 B8 10X32 CT	STAHLSCHRAUBE ASTM-A193 B8 10X32 CT
19	23049	DADO OTTONE M8 UNI 5587	BRASS NUT M8 UNI 5587	ECROU LAITON M8 UNI 5587	MESSING-SCHRAUBENMUTTER M8 UNI 5587
20	43033	RACCORDO "T" 3/8X3/8X1/4	3/8X3/8X1/4 T FITTING	RACCORD "T" 3/8X3/8X1/4	ANSCHLUSS 3/8X3/8X1/4 T
21	25687	RACCORDO 3/8X3/8 GAS	3/8X3/8 GAS FITTING	RACCORD 3/8X3/8 GAZ	ANSCHLUSS 3/8X3/8 GAS

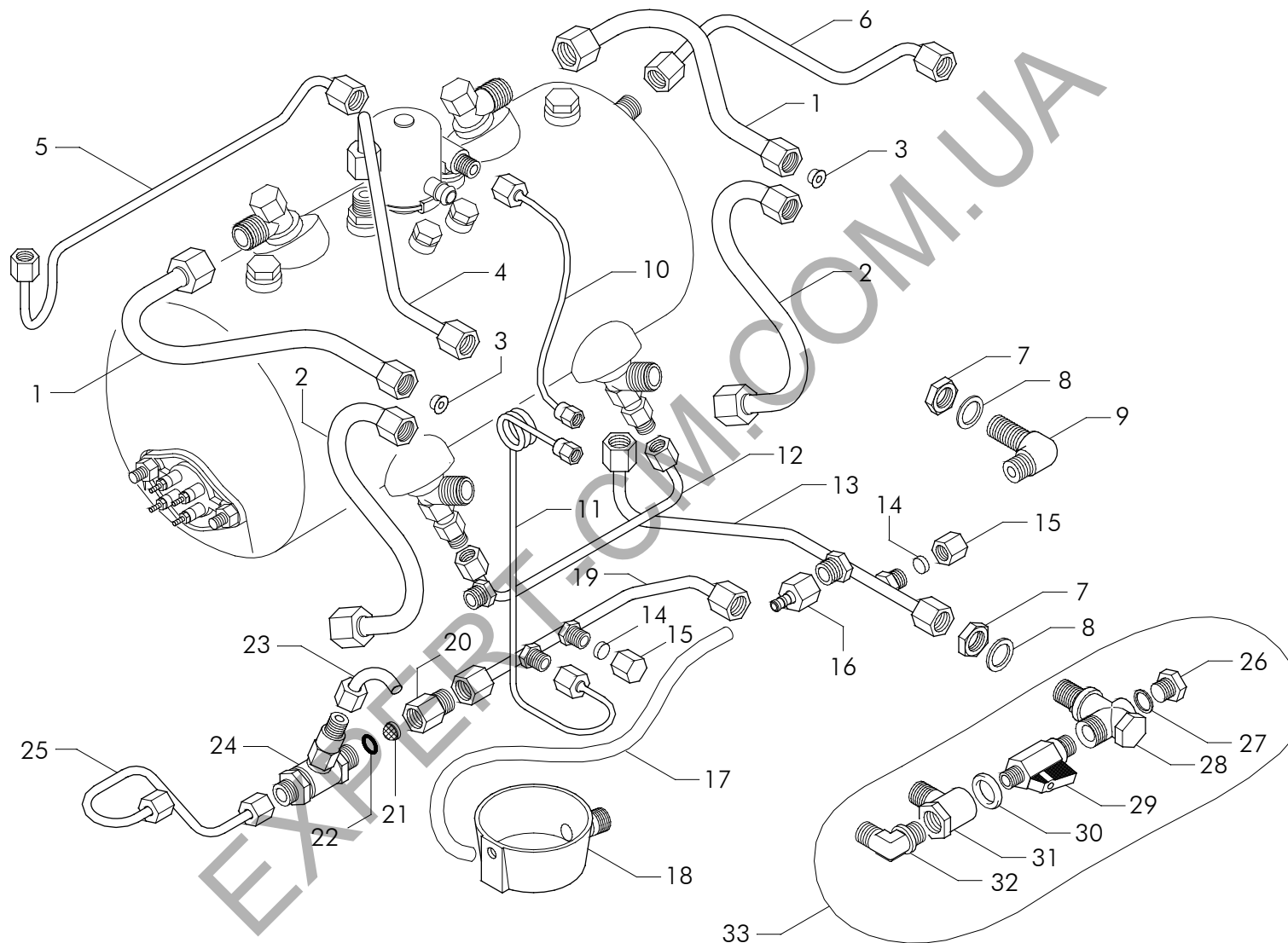


Impianto idraulico EPU 1GR - Hydraulic circuit EPU 1GR - Circuit hydraulique EPU 1GR - Wasser anlage EPU 1GR

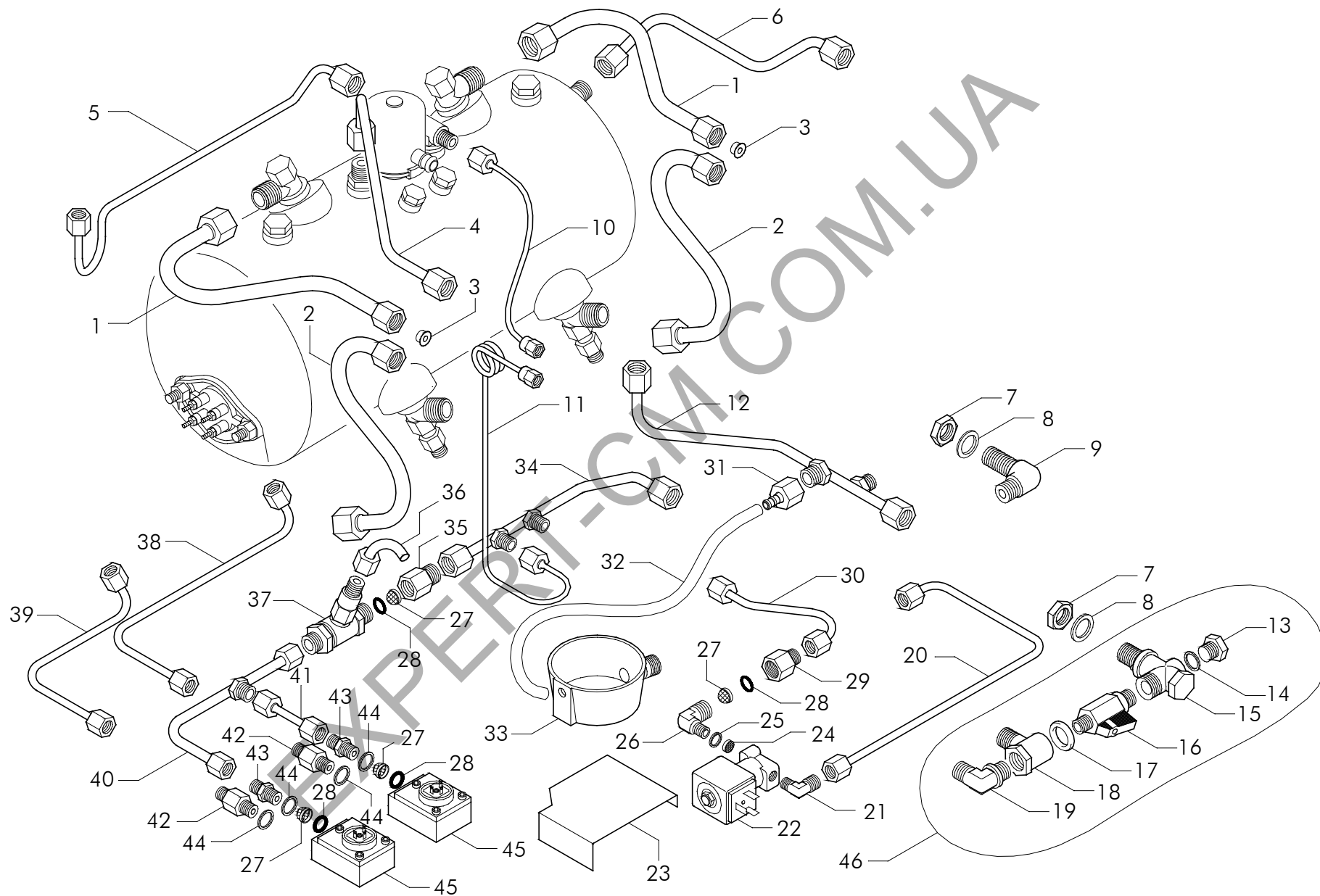
Pos	Cod.	Denominazione - IT -	Denomination - GB -	Denomination - FR -	Denomination - DE -
1	52000110	TBS.D-4 L.730 1-4GR A 44	TUBE D-4 L.730 1-4 GR A 44	TUYAU D-4 L.730 1-4GR A 44	ROHR D-4 L.730 1-4GR A 44
2	52002964	TUBO D-6 L.230 W 228	TUBE D-6 L.230 W228	TUYAU D-6 L.230 W228	ROHR D-6 L.230 W228
3	52001433	TBS.D-4 L.310 2-3GR CTS AR 56 CALDAIA >	TUBE D-4 L.310	TUYAU D-4 L.310	ROHR D-4 L.310
4	52002732	TUBO D-8 L.265 4GR W 21CALDAIA > RUBINET	TUBE D-8 L.265 W21	TUYAU D-8 L.265 W21	ROHR D-8 L.265 W21
5	52003209	TUBO D-8 L.340 '99 WO 10 CALDAIA > VAPOR	TUBE D-8 L.340 W010	TUYAU D-8 L.340 W010	ROHR D-8 L.340 W010
6	25705	RACCORDO FILTRO AEA	AUT.WATER REFILL FILTER CONNECTOR	RACCORD FILTRE REM.EAU.AUT.	FILTERFITTING AUT.WASSERFULLUNG
7	12312	GUARNIZIONE OR FILTRO AEA 10X2	O RING FOR WATER REFILL FILTER 10X2	JOINT OR FILTRE AUT.REM.EAU 10X2	OR DICHTUNG FUR WASSERFULLUNGFILTER
8	10254	FILTRO ACCIAIO 160-200 MESH	STEEL FILTER 160-200 MESH	FILTRE EN ACIER 160-200 MESH	STAHLFILTER 160-200 MESH
9	23217	RACCORDO GOMITO D10 3/8X1/8 CON AEA F 1.	FITTING D10 3/8X1/8 WITH AWI F 1.2	RACCORD GOMME D10 3/8X1/8 AEE F 1.2	FITTING D10 3/8X1/8 MIT A.W.F. 1.2
10	12155	GUARNIZIONE CU 8.5X5X1	COPPER GASKET 8.5X5X1	JOINT CU 8.5X5X1	CU DICHTUNG 8.5X5X1
11	10251001	FILTRO IN ACCIAIO D-8 SP.0,3	STEEL FILTER D-8 - 0.3 THICK	FILTRE EN ACIER D-8 EP.0,3	STAHLFILTER D-8 SP.0,3
12	18162002	ELETTROVALVOLA 230V AEA VDE	SOL.VALVE WATER REFILL 230V PARKER	ELECTROVANNE REA 230V PARKER	ELEKTROVENTIL AWZ 230V PARKER
12	18195	ELETTROVALVOLA 120V VE140.2IR VDE/UL PAR	SOLENOID VALVE SCEM 2/2 110V 60HZ	ELECTROVANNE SCEM 2/2 110V 60HZ	MAGNETVENTIL SCEM 2/2 110V 60HZ
13	25707	RACCORDO 1/8X1/4	CONNECTOR 1/8X1/4	RACCORD 1/8X1/4	ANSCHLUSS 1/8X1/4
14	52002822	TUB.D-6 L.295 1-4GR W 117 ELETTROVALVOLA	TUBE D-6 L.295 W117	TUYAU D-6 L.295 W117	ROHR D-6 L.295 W117
15	52002963	TBS.D-10 L.410 W 227	TUBE D-10 L.410 W227	TUYAU D-10 L.410 W227	ROHR D-10 L.410 W227
16	52002961	TBS.D-10 L.255 W 225	TUBE D-10 L.255 W225	TUYAU D-10 L.255 W225	ROHR D-10 L.255 W225
17	23293	STROZZATURA RICIRCOLO GR D 4	REDUCED CONNECTOR OF GROUP D4	RACCORD REDUIT DU GROUPE D4	VERKLEINERTE FITTING DER GRUPPE D4
18	52002956	TBS.D-10 L.245 W224	TUBE D-10 L.245 W224	TUYAU D-10 L.245 W224	ROHR D-10 L.245 W224
19	52003303	TUBO D-6 L.600 CW 4	TUBE D-6 L.600 CW 4	TUYAU D-6 L.600 CW 4	ROHR D-6 L.600 CW 4
20	25356	CONTRODDADO OTTONE 3/8	BRASS LOCK NUT 3/8	CONTRE-ECROU LAITON 3/8	MESSING-GEGENMUTTER 3/8
21	25651	RONDELLA OTTONE 3/8	BRASS WASHER 3/8	RONDELLE LAITON 3/8	MESSINGSCHLEIBE 3/8
22	43067	RACCORDO "L" 3/8 GASX3/8 GAS L.30	3/8 GAS X 3/8 GAS L FITTING L.30	RACCORD L 3/8 GAZX3/8 GAZ L.30	ANSCHLUSS L 3/8 GAS X 3/8 GAS L. 30
23	52002947	TBS.D-8 L.430 W 180/A WO/AT	TUBE D-8 L.430 W180/A	TUYAU D-8 L.430 W180/A	ROHR D-8 L.430 W180/A
24	20354	VALVOLA CHIUSURA AEA	PRESSURE RELEASE TAP BULK UNIT	CLAPET FERMETURE AUT.ARRIVEE EAU	ABSPERRVENTIL X AUT.WASSERZUFUHR
25	52001351	TUB.D-6 L.170 2GR SAE LD 42	TUBE D-6 L.170 2GR SAE LD 42	TUYAU D-6 L.170 2GR SAE LD 42	ROHR D-6 L.170 2GR SAE LD 42
26	52003302	TBS.D-8 L.265	TUBE D-8 L.265	TUYAU D-8 L.265	ROHR D-8 L.265
27	20361	VALVOLA S.C.N.R. REGOLABILE	ADJUSTABLE S.C.N.R. VALVE	SOUPAPE S.C.N.R. REGLABLE	EINSTELLBARES VENTIL S.N.C.R.
28	52003004	TBS.D-6 L.390 SP 5 SCNR > INIETTORE	TUBE D-6 L.390 SP5	TUYAU D-6 L.390 SP5	ROHR D-6 L.390 SP5
29	52001350	TUB.D-6 L.105 2GR SAE LD 41	D-6 105 L PIPE 2GR SAE LD 41	TUYAU D-6 L.105 2GR SAE LD 41	ROHR D-6 L.105 2GR SAE LD 41
30	15502	VASCHETTA SCARICO ROTONDA D 80	ROUND DRAIN BASIN D.80MM	CUVE A VIDANGER RONDE D.80MM	RUNDE ABFLUSSCHALE D.80MM
31	25780	TAPPO MASCHIO OTTONE 1/4	BRASS MALE CAP 1/4	BOUCHON MALE LAITON 1/4	MESSING-STOPFEN 1/4
32	12153	GUARNIZIONE CU 1/4 17X13.3X1.5	1/4 17X13.3X1.5 COPPER SEAL	JOINT CUIVRE 1/4 17X13.3X1.5	KUPFERDICHTUNG 1/4 17X13.3X1.5
33	53001	CORPO LIVELLO INFERIORE	LOWER LEVEL CONNECTOR	CORPS DE NIVEAU INFERIEUR	UNTERNIVEAUKORPER
34	12101	GUARNIZIONE CU/ALIM 3/8 22X17X3	3/8 22X17X3 FEEDER/COPPER SEAL	JOINT CUIVRE/ALIM 3/8 22X17X3	KUPFERDICHTUNG/SPEIS. 3/8 22X17X3
35	257396	RACCORDO SCARICO CALDAIA ASSIEMATO	FITTING	RACCORD	ANSCHLUSS
36	43052	RACCORDO "L" 3/8	CONNECTOR 'L' 3/8	RACCORD 'L' 3/8	ANSCHLUSS 'L' 3/8
37	56134001	ASSIEME BLOCCHETTO POMPA	UNIT PUMP	ENSEMBLE POMPE	PUMPENSATZ



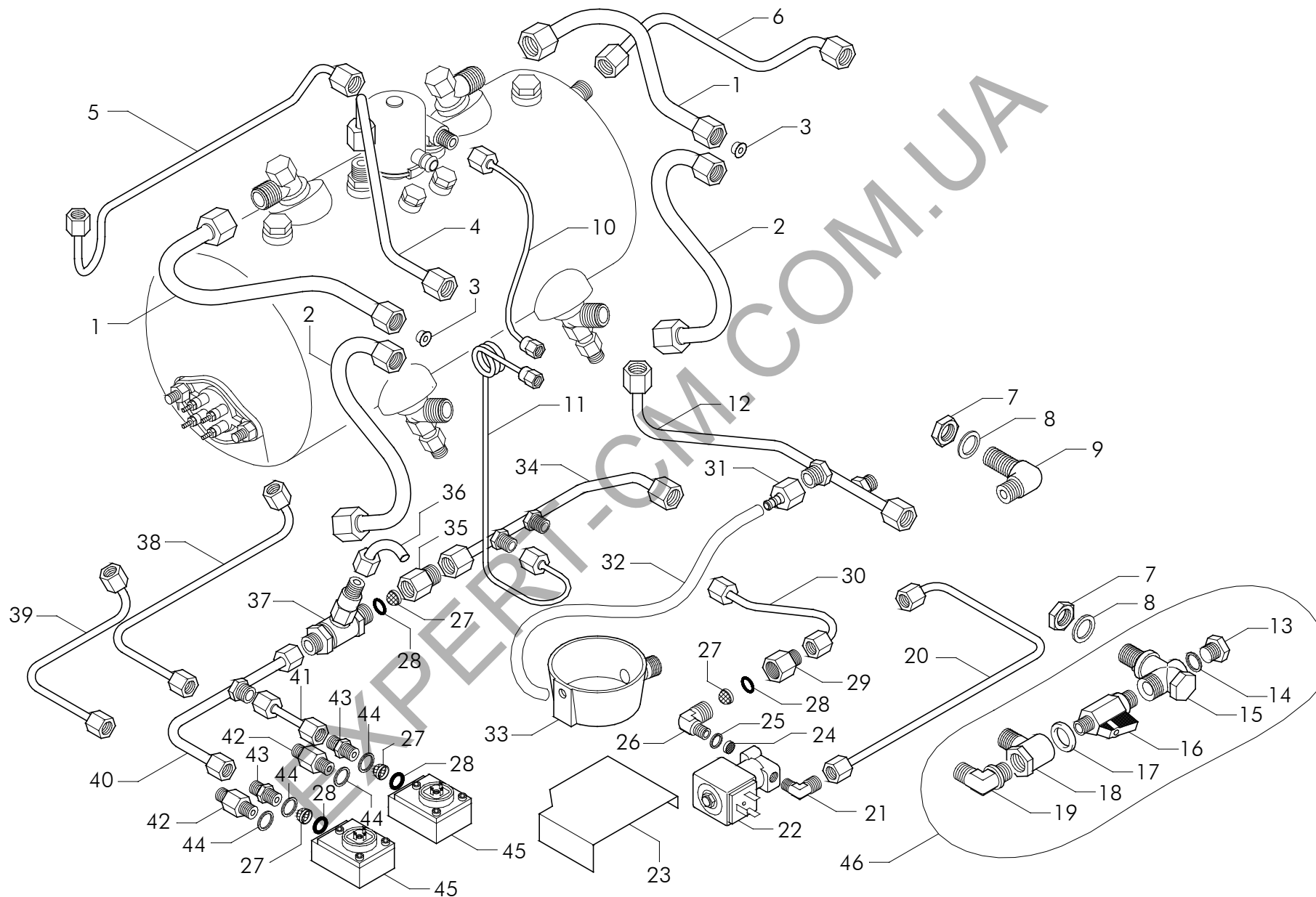
Pos	Cod.	Denominazione - IT -	Denomination - GB -	Denomination - FR -	Denomination - DE -
1	52000110	TBS.D-4 L.730 1-4GR A 44	TUBE D-4 L.730 1-4 GR A 44	TUYAU D-4 L.730 1-4GR A 44	ROHR D-4 L.730 1-4GR A 44
2	52002964	TUBO D-6 L.230 W 228	TUBE D-6 L.230 W228	TUYAU D-6 L.230 W228	ROHR D-6 L.230 W228
3	52001433	TBS.D-4 L.310 2-3GR CTS AR 56 CALDAIA >	TUBE D-4 L.310	TUYAU D-4 L.310	ROHR D-4 L.310
4	52002732	TUBO D-8 L.265 4GR W 21CALDAIA > RUBINET	TUBE D-8 L.265 W21	TUYAU D-8 L.265 W21	ROHR D-8 L.265 W21
5	52003209	TUBO D-8 L.340 '99 WO 10 CALDAIA > VAPOR	TUBE D-8 L.340 W010	TUYAU D-8 L.340 W010	ROHR D-8 L.340 W010
6	25705	RACCORDO FILTRO AEA	AUT.WATER REFILL FILTER CONNECTOR	RACCORD FILTRE REM.EAU.AUT.	FILTERFITTING AUT.WASSERFÜLLUNG
7	12312	GUARNIZIONE OR FILTRO AEA 10X2	O RING FOR WATER REFILL FILTER 10X2	JOINT OR FILTRE AUT.REM.EAU 10X2	OR DICHTUNG FÜR WASSERFÜLLUNGFILTER
8	10254	FILTRO ACCIAIO 160-200 MESH	STEEL FILTER 160-200 MESH	FILTRE EN ACIER 160-200 MESH	STAHLFILTER 160-200 MESH
9	23217	RACCORDO GOMITO D10 3/8X1/8 CON AEA F 1.	FITTING D10 3/8X1/8 WITH AWI F 1.2	RACCORD GOMME D10 3/8X1/8 AEE F 1.2	FITTING D10 3/8X1/8 MIT A.W.F. 1.2
10	12155	GUARNIZIONE CU 8.5X5X1	COPPER GASKET 8.5X5X1	JOINT CU 8.5X5X1	CU DICHTUNG 8.5X5X1
11	10251001	FILTRO IN ACCIAIO D-8 SP.0,3	STEEL FILTER D-8 - 0.3 THICK	FILTRE EN ACIER D-8 EP.0,3	STAHLFILTER D-8 SP.0,3
12	18162002	ELETTROVALVOLA 230V AEA VDE	SOL.VALVE WATER REFILL 230V PARKER	ELECTROVANNE REA 230V PARKER	ELEKTROVENTIL AWZ 230V PARKER
12	18195	ELETTROVALVOLA 120V VE140.2IR VDE/UL PAR	SOLENOID VALVE SCEM 2/2 110V 60HZ	ELECTROVANNE SCEM 2/2 110V 60HZ	MAGNETVENTIL SCEM 2/2 110V 60HZ
13	25707	RACCORDO 1/8X1/4	CONNECTOR 1/8X1/4	RACCORD 1/8X1/4	ANSCHLUSS 1/8X1/4
14	52002822	TUB.D-6 L.295 1-4GR W 117 ELETTROVALVOLA	TUBE D-6 L.295 W117	TUYAU D-6 L.295 W117	ROHR D-6 L.295 W117
15	52002963	TBS.D-10 L.410 W 227	TUBE D-10 L.410 W227	TUYAU D-10 L.410 W227	ROHR D-10 L.410 W227
16	52002961	TBS.D-10 L.255 W 225	TUBE D-10 L.255 W225	TUYAU D-10 L.255 W225	ROHR D-10 L.255 W225
17	23293	STROZZATURA RICIRCOLO GR D 4	REDUCED CONNECTOR OF GROUP D4	RACCORD REDUIT DU GROUPE D4	VERKLEINERTE FITTING DER GRUPPE D4
18	52002956	TBS.D-10 L.245 W224	TUBE D-10 L.245 W224	TUYAU D-10 L.245 W224	ROHR D-10 L.245 W224
19	52003303	TUBO D-6 L.600 CW 4	TUBE D-6 L.600 CW 4	TUYAU D-6 L.600 CW 4	ROHR D-6 L.600 CW 4
20	25356	CONTRODADO OTTONE 3/8	BRASS LOCK NUT 3/8	CONTRE-ECROU LAITON 3/8	MESSING-GEGENMUTTER 3/8
21	25651	RONDELLA OTTONE 3/8	BRASS WASHER 3/8	RONDELLE LAITON 3/8	MESSINGSCHLEIBE 3/8
22	43067	RACCORDO "L" 3/8 GASX3/8 GAS L.30	3/8 GAS X 3/8 GAS L FITTING L.30	RACCORD L 3/8 GAZX3/8 GAZ L.30	ANSCHLUSS L 3/8 GAS X 3/8 GAS L. 30
23	52002947	TBS.D-8 L.430 W 180/A WO/AT	TUBE D-8 L.430 W180/A	TUYAU D-8 L.430 W180/A	ROHR D-8 L.430 W180/A
24	20354	VALVOLA CHIUSURA AEA	PRESSURE RELEASE TAP BULK UNIT	CLAPET FERMETURE AUT.ARRIVEE EAU	ABSPERRVENTIL X AUT.WASSERZUFUHR
25	52001351	TUB.D-6 L.170 2GR SAE LD 42	TUBE D-6 L.170 2GR SAE LD 42	TUYAU D-6 L.170 2GR SAE LD 42	ROHR D-6 L.170 2GR SAE LD 42
26	52003302	TBS.D-8 L.265	TUBE D-8 L.265	TUYAU D-8 L.265	ROHR D-8 L.265
27	20361	VALVOLA S.C.N.R. REGOLABILE	ADJUSTABLE S.C.N.R. VALVE	SOUPAPE S.C.N.R. REGLABLE	EINSTELLBARES VENTIL S.N.C.R.
28	52001350	TUB.D-6 L.105 2GR SAE LD 41	D-6 105 L PIPE 2GR SAE LD 41	TUYAU D-6 L.105 2GR SAE LD 41	ROHR D-6 L.105 2GR SAE LD 41
29	52000243	TUB.D-6 L.145 DV 44	D-6 145 L PIPE DV 44	TUYAU D-6 L.145 DV 4	ROHR D. 6 L.145 DV 4
30	52003000	TBS.D-6 L.230 SP 1 DOSATORE > INIETTORE	TUBE D-6 L.230 SP1	TUYAU D-6 L.230 SP1	ROHR D-6 L.230 SP1
31	25708	RACCORDO 1/4X1/4	1/4X1/4 FITTING	RACCORD 1/4X1/4	ANSCHLUSS 1/4X1/4
32	25686	RACCORDO 1/4X1/4 FLANGIA	CONNECTOR 1/4 X 1/4 FLANGE	RACCORD 1/4 X 1/4 BRIDE	ANSCHLUSS 1/4X1/4 FLANSCH
33	12153	GUARNIZIONE CU 1/4 17X13.3X1.5	1/4 17X13.3X1.5 COPPER SEAL	JOINT CUIVRE 1/4 17X13.3X1.5	KUPFERDICHTUNG 1/4 17X13.3X1.5
34	18126	DOSATORE FLOWMETER FH 12 909602	FH 12 907613 FLOWMETER DOSER	DOSEUR FLOWMETER FH 12 907613	DOSIERER FLOWMETER FH 12 907613
35	15502	VASCHETTA SCARICO ROTONDA D 80	ROUND DRAIN BASIN D.80MM	CUVE A VIDANGER RONDE D.80MM	RUNDE ABFLUSSCHALE D.80MM
36	25780	TAPPO MASCHIO OTTONE 1/4	BRASS MALE CAP 1/4	BOUCHON MALE LAITON 1/4	MESSING-STOPFEN 1/4
37	12153	GUARNIZIONE CU 1/4 17X13.3X1.5	1/4 17X13.3X1.5 COPPER SEAL	JOINT CUIVRE 1/4 17X13.3X1.5	KUPFERDICHTUNG 1/4 17X13.3X1.5
38	53001	CORPO LIVELLO INFERIORE	LOWER LEVEL CONNECTOR	CORPS DE NIVEAU INFERIEUR	UNTERNIVEAUKORPER
39	12101	GUARNIZIONE CU/ALIM 3/8 22X17X3	3/8 22X17X3 FEEDER/COPPER SEAL	JOINT CUIVRE/ALIM 3/8 22X17X3	KUPFERDICHTUNG/SPEIS. 3/8 22X17X3
40	257396	RACCORDO SCARICO CALDAIA ASSIEMATO	FITTING	RACCORD	ANSCHLUSS
41	43052	RACCORDO "L" 3/8	CONNECTOR 'L' 3/8	RACCORD 'L' 3/8	ANSCHLUSS 'L' 3/8
42	56134001	ASSIEME BLOCCHETTO POMPA	UNIT PUMP	ENSEMBLE POMPE	PUMPENSATZ



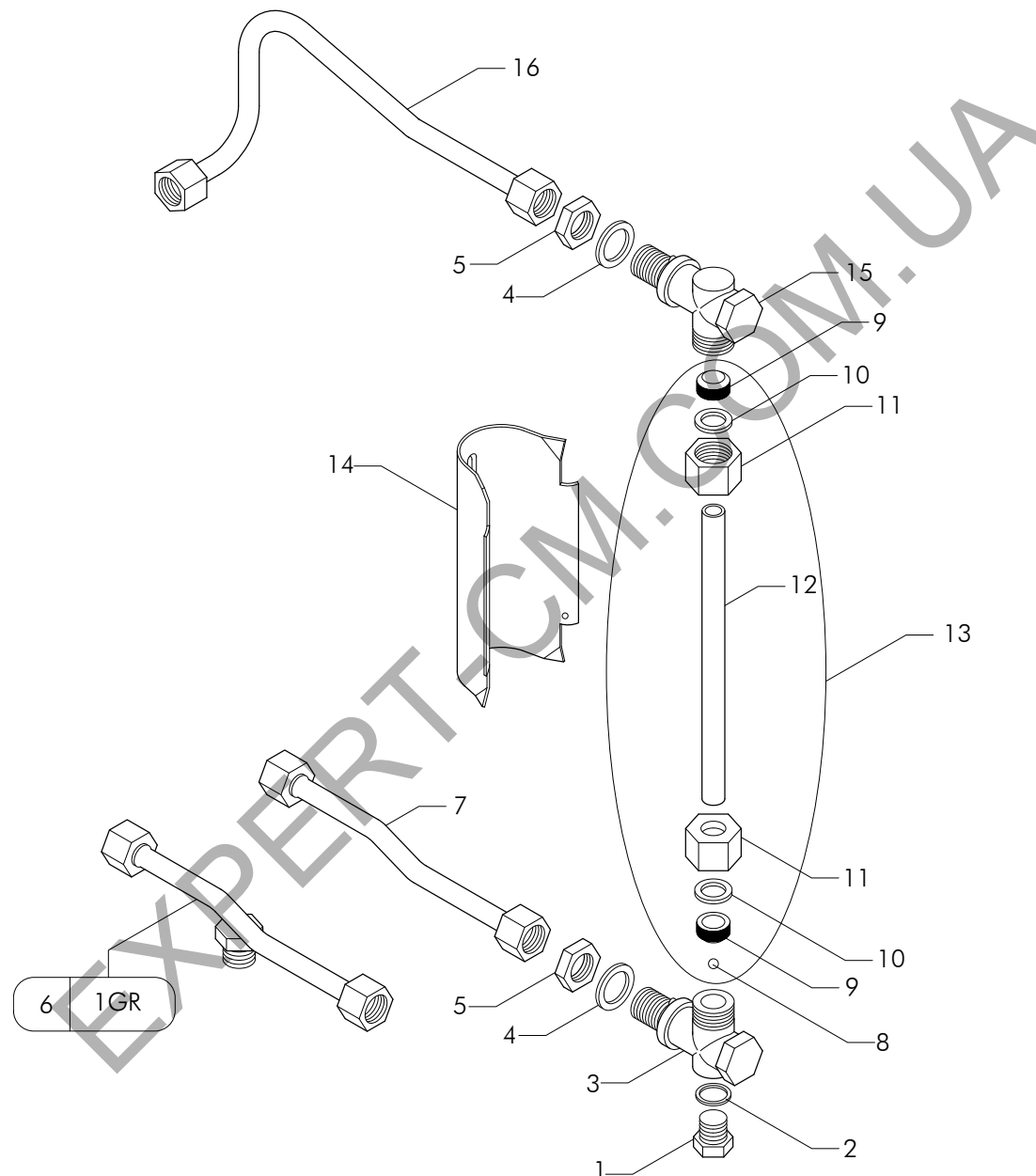
Pos	Cod.	Denominazione - IT -	Denomination - GB -	Denomination - FR -	Denomination - DE -
1	52001202	TUB.D-10 L.250 2-4GR N 3 CALDAIA > GRUPP	TUBE D-10 L.250	TUYAU D-10 L.250	ROHR D-10 L.250
2	52002956	TBS.D-10 L.245 W224	TUBE D-10 L.245 W224	TUYAU D-10 L.245 W224	ROHR D-10 L.245 W224
3	23294003	STROZZATURA RICIRCOLO GR CTS D 4	CTS UNIT D 4 RECIRC. NECK	ETRANGLEMENT RECYCLAGE GR.D.4	ENGSTELLE UMWÄLZUNG D. 4
4	52002842	TUBO D-8 L.300 W 155CALDAIA > RUBINETTO	TUBE D-8 L.300 W155	TUYAU D-8 L.300 W155	ROHR D-8 L.300 W155
5	52002955	TBS.D-6 L.410 WE.RO. W 223 CLD > PRESS.	TUBE D-6 L.410 W223	TUYAU D-6 L.410 W223	ROHR D-6 L.410 W223
6	52002954	TBS.D-8 L.265 WE.RO. W 222 CLD > VAP.DX	TUBE D-8 L.290 W222	TUYAU D-8 L.290 W222	ROHR D-8 L.290 W222
7	25356	CONTRODADO OTTONE 3/8	BRASS LOCK NUT 3/8	CONTRE-ECROU LAITON 3/8	MESSING-GEGENMUTTER 3/8
8	25651	RONDELLA OTTONE 3/8	BRASS WASHER 3/8	RONDELLE LAITON 3/8	MESSINGSCHIBE 3/8
9	43067	RACCORDO "L" 3/8 GASX3/8 GAS L.30	3/8 GAS X 3/8 GAS L FITTING L.30	RACCORD L 3/8 GAZX3/8 GAZ L.30	ANSCHLUSS L 3/8 GAS X 3/8 GAS L. 30
10	52001433	TBS.D-4 L.310 2-3GR CTS AR 56 CALDAIA >	TUBE D-4 L.310	TUYAU D-4 L.310	ROHR D-4 L.310
11	52000110	TBS.D-4 L.730 1-4GR A 44	TUBE D-4 L.730 1-4 GR A 44	TUYAU D-4 L.730 1-4GR A 44	ROHR D-4 L.730 1-4GR A 44
12	52003014	TBS.D-6 L.245 2>4GR SP 15 INIETTORE DX >	TUBE D-6 L.245 SP15	TUYAU D-6 L.245 SP15	ROHR D-6 L.245 SP15
13	52003212	TBS.D-10 L.320 ECO WO 13 POMPA > CALDAIA	TUBE D-10 L.320 W013	TUYAU D-10 L.320 W013	ROHR D-10 L.320 W013
14	12007	GUARNIZIONE KLINGERSIL4400	KLINGERSIL4400 COPPER SEAL	JOINT KLINGERSIL4400 POUR BOUCHON	DICHTUNG KLINGER SIL4400 X DECKEL
15	25782	TAPPO FEMMINA 1/4 GAS	1/4 GAS FEMALE TAP	BOUCHON FEMELLE 1/4 GAZ	INNENANSCHLUSSSTÖPSEL 1/4 GAS
16	257396	RACCORDO SCARICO CALDAIA ASSIEMATO	FITTING	RACCORD	ANSCHLUSS
17	15476001	TUBO SILICONE 4X8 KGXMT 0.044	SILICONE PIPE 4X8 KGX0.044M	TUBE SILICONE 4X8 KGXMT 0.044	SILIKONSCHLAUCH 4X8 KGXMT 0.044
18	15502	VASCHETTA SCARICO ROTONDA D 80	ROUND DRAIN BASIN D.80MM	CUVE A VIDANGER RONDE D.80MM	RUNDE ABFLUSSCHALE D.80MM
19	52003224	TBS.D-8 L.200 WO 18/A POMPA > SCNR	TUBE D-8 L.220 W018	TUYAU D-8 L.220 W018	ROHR D-8 L.220 W018
20	25732100	RACCORDO 3/8MX3/8F + SEDE FILTRO	FITTING 3/8MX3/8F	RACCORD 3/8MX3/8F	ANSCHLUSS 3/8MX3/8F
21	10254	FILTRO ACCIAIO 160-200 MESH	STEEL FILTER 160-200 MESH	FILTRE EN ACIER 160-200 MESH	STAHLFILTER 160-200 MESH
22	12312	GUARNIZIONE OR FILTRO AEA 10X2	O RING FOR WATER REFILL FILTER 10X2	JOINT OR FILTRE AUT.REM.EAU 10X2	OR DICHTUNG FUR WASSERFULLUNGFILTER
23	52002898	TUBO D-6 L.50 3 W169	D-6 50 L3 PIPE W169	TUYAU D-6 L.50 3 W1	ROHR D. 6 L.50 3 W1
24	20361	VALVOLA S.C.N.R. REGOLABILE	ADJUSTABLE S.C.N.R. VALVE	SOUPAPE S.C.N.R. REGLABLE	EINSTELLBARES VENTIL S.N.C.R.
25	52003203	TUBO D-6 L.245 '99 WO 4 SCNR > TUB. SP 1	TUBE D-6 L.250 W04	TUYAU D-6 L.250 W04	ROHR D-6 L.250 W04
26	25780	TAPPO MASCHIO OTTONE 1/4	BRASS MALE CAP 1/4	BOUCHON MALE LAITON 1/4	MESSING-STOPFEN 1/4
27	12153	GUARNIZIONE CU 1/4 17X13.3X1.5	1/4 17X13.3X1.5 COPPER SEAL	JOINT CUIVRE 1/4 17X13.3X1.5	KUPFERDICHTUNG 1/4 17X13.3X1.5
28	53001	CORPO LIVELLO INFERIORE	LOWER LEVEL CONNECTOR	CORPS DE NIVEAU INFERIEUR	UNTERNIVEAUKORPER
29	20354	VALVOLA CHIUSURA AEA	PRESSURE RELEASE TAP BULK UNIT	CLAPET FERMETURE AUT.ARRIVEE EAU	ABSPERRVENTIL X AUT.WASSERZUFUHR
30	12101	GUARNIZIONE CU/ALIM 3/8 22X17X3	3/8 22X17X3 FEEDER/COPPER SEAL	JOINT CUIVRE/ALIM 3/8 22X17X3	KUPFERDICHTUNG/SPEIS. 3/8 22X17X3
31	257396	RACCORDO SCARICO CALDAIA ASSIEMATO	FITTING	RACCORD	ANSCHLUSS
32	43052	RACCORDO "L" 3/8	CONNECTOR 'L' 3/8	RACCORD 'L' 3/8	ANSCHLUSS 'L' 3/8
33	56134001	ASSIEME BLOCCETTO POMPA	UNIT PUMP	ENSEMBLE POMPE	PUMPENSATZ



Pos	Cod.	Denominazione - IT -	Denomination - GB -	Denomination - FR -	Denomination - DE -
1	52001202	TUB.D-10 L.250 2-4GR N 3 CALDAIA > GRUPP	TUBE D-10 L.250	TUYAU D-10 L.250	ROHR D-10 L.250
2	52002956	TBS.D-10 L.245 W224	TUBE D-10 L.245 W224	TUYAU D-10 L.245 W224	ROHR D-10 L.245 W224
3	23294003	STROZZATURA RICIRCOLO GR CTS D 4	CTS UNIT D 4 RECIRC. NECK	ETRANGLEMENT RECYCLAGE GR.D.4	ENGSTELLE UMWÄLZUNG D. 4
4	52002842	TUBO D-8 L.300 W 155CALDAIA > RUBINETTO	TUBE D-8 L.300 W155	TUYAU D-8 L.300 W155	ROHR D-8 L.300 W155
5	52002955	TBS.D-6 L.410 WE.RO. W 223 CLD > PRESS.	TUBE D-6 L.410 W223	TUYAU D-6 L.410 W223	ROHR D-6 L.410 W223
6	52002954	TBS.D-8 L.265 WE.RO. W 222 CLD > VAP.DX	TUBE D-8 L.290 W222	TUYAU D-8 L.290 W222	ROHR D-8 L.290 W222
7	25356	CONTRODADO OTTONE 3/8	BRASS LOCK NUT 3/8	CONTRE-ECROU LAITON 3/8	MESSING-GEGENMUTTER 3/8
8	25651	RONDELLA OTTONE 3/8	BRASS WASHER 3/8	RONDELLE LAITON 3/8	MESSINGSCHLEIBE 3/8
9	43067	RACCORDO "L" 3/8 GASX3/8 GAS L.30	3/8 GAS X 3/8 GAS L FITTING L.30	RACCORD L 3/8 GAZX3/8 GAZ L.30	ANSCHLUSS L 3/8 GAS X 3/8 GAS L. 30
10	52001433	TBS.D-4 L.310 2-3GR CTS AR 56 CALDAIA >	TUBE D-4 L.310	TUYAU D-4 L.310	ROHR D-4 L.310
11	52000110	TBS.D-4 L.730 1-4GR A 44	TUBE D-4 L.730 1-4 GR A 44	TUYAU D-4 L.730 1-4GR A 44	ROHR D-4 L.730 1-4GR A 44
12	52003212	TBS.D-10 L.320 ECO WO 13 POMPA > CALDAIA	TUBE D-10 L.320 W013	TUYAU D-10 L.320 W013	ROHR D-10 L.320 W013
13	25780	TAPPO MASCHIO OTTONE 1/4	BRASS MALE CAP 1/4	BOUCHON MALE LAITON 1/4	MESSING-STOPFEN 1/4
14	12153	GUARNIZIONE CU 1/4 17X13.3X1.5	1/4 17X13.3X1.5 COPPER SEAL	JOINT CUIVRE 1/4 17X13.3X1.5	KUPFERDICHTUNG 1/4 17X13.3X1.5
15	53001	CORPO LIVELLO INFERIORE	LOWER LEVEL CONNECTOR	CORPS DE NIVEAU INFERIEUR	UNTERNIVEAUKORPER
16	20354	VALVOLA CHIUSURA AEA	PRESSURE RELEASE TAP BULK UNIT	CLAPET FERMETURE AUT.ARRIVEE EAU	ABSPERRVENTIL X AUT.WASSERZUFUHR
17	12101	GUARNIZIONE CU/ALIM 3/8 22X17X3	3/8 22X17X3 FEEDER/COPPER SEAL	JOINT CUIVRE/ALIM 3/8 22X17X3	KUPFERDICHTUNG/SPEIS. 3/8 22X17X3
18	257396	RACCORDO SCARICO CALDAIA ASSIEMATO	FITTING	RACCORD	ANSCHLUSS
19	43052	RACCORDO "L" 3/8	CONNECTOR 'L' 3/8	RACCORD 'L' 3/8	ANSCHLUSS 'L' 3/8
20	52003214	TUB.D-6 L.345 WO 15 ELETTROVALVOLA AEA >	TUBE D-6 L.345 WO 15	TUYAU D-6 L.345 WO 15	ROHR D-6 L.345 WO 15
21	23201	RACCORDO OTT.GOM.D6.2 1/4X1/8-AEA	ELBOW BRASS CONNECTOR D6.2 1/4X1/8	RACCORD COUDE LAITON D6.2 1/4X1/8	MESSING-ANSCHLUSS D6.2 1/4X1/8
22	18162002	ELETTROVALVOLA 230V AEA VDE	SOL.VALVE WATER REFILL 230V PARKER	ELECTROVANNE REA 230V PARKER	ELEKTROVENTIL AWZ 230V PARKER
22	18195	ELETTROVALVOLA 120V VE140.2IR VDE/UL PAR	SOLENOID VALVE SCEM 2/2 110V 60HZ	ELECTROVANNE SCEM 2/2 110V 60HZ	MAGNETVENTIL SCEM 2/2 110V 60HZ
23	77604	COPRIELETTROVALVOLA AEA WO/WN	AEA SOLENOID VALVE COVER	COUVRE-ELECTROVANNE AEA	ABDECKUNG ELEKTROVENTIL AEA
24	10251001	FILTRO IN ACCIAIO D-8 SP.0,3	STEEL FILTER D-8 - 0,3 THICK	FILTRE EN ACIER D-8 EP.0,3	STAHLFILTER D-8 SP.0,3
25	12155	GUARNIZIONE CU 8.5X5X1	COPPER GASKET 8.5X5X1	JOINT CU 8.5X5X1	CU DICHTUNG 8.5X5X1
26	23217	RACCORDO GOMITO D10 3/8X1/8 CON AEA F 1.	FITTING D10 3/8X1/8 WITH AWI F 1.2	RACCORD GOMME D10 3/8X1/8 AEE F 1.2	FITTING D10 3/8X1/8 MIT A.W.F. 1.2
27	10254	FILTRO ACCIAIO 160-200 MESH	STEEL FILTER 160-200 MESH	FILTRE EN ACIER 160-200 MESH	STAHLFILTER 160-200 MESH
28	12312	GUARNIZIONE OR FILTRO AEA 10X2	O RING FOR WATER REFILL FILTER 10X2	JOINT OR FILTRE AUT.REM.EAU 10X2	OR DICHTUNG FUR WASSERFULLUNGFILTER
29	25705	RACCORDO FILTRO AEA	AUT.WATER REFILL FILTER CONNECTOR	RACCORD FILTRE REM.EAU.AUT.	FILTERFITTING AUT.WASSERFULLUNG
30	52003202	TBS.D-6 L.130 WO 3 BLOCCETTO > EV AEA	TUBE D-6 L.130 WO 3	TUYAU D-6 L.130 WO 3	ROHR D-6 L.130 WO 3
31	257396	RACCORDO SCARICO CALDAIA ASSIEMATO	FITTING	RACCORD	ANSCHLUSS
32	15476001	TUBO SILICONE 4X8 KGXMT 0.044	SILICONE PIPE 4X8 KGX0.044M	TUBE SILICONE 4X8 KGXMT 0.044	SILIKONSCHLAUCH 4X8 KGXMT 0.044
33	15502	VASCHETTA SCARICO ROTONDA D 80	ROUND DRAIN BASIN D.80MM	CUVE A VIDANGER RONDE D.80MM	RUNDE ABFLUSSCHALE D.80MM
34	52003224	TBS.D-8 L.200 WO 18/A POMPA > SCNR	TUBE D-8 L.220 W018	TUYAU D-8 L.220 W018	ROHR D-8 L.220 W018
35	25732100	RACCORDO 3/8MX3/8F + SEDE FILTRO	FITTING 3/8MX3/8F	RACCORD 3/8MX3/8F	ANSCHLUSS 3/8MX3/8F
36	52002898	TUBO D-6 L.50 3 W169	D-6 50 L3 PIPE W169	TUYAU D-6 L.50 3 W1	ROHR D. 6 L.50 3 W1
37	20361	VALVOLA S.C.N.R. REGOLABILE	ADJUSTABLE S.C.N.R. VALVE	SOUPAPE S.C.N.R. REGLABLE	EINSTELLBARES VENTIL S.N.C.R.
38	52003009	TBS.D-6 L.340 2>4GR SP 10 DOSATORE DX >	TUBE D-6 L.340 SP10	TUYAU D-6 L.340 SP10	ROHR D-6 L.340 SP10

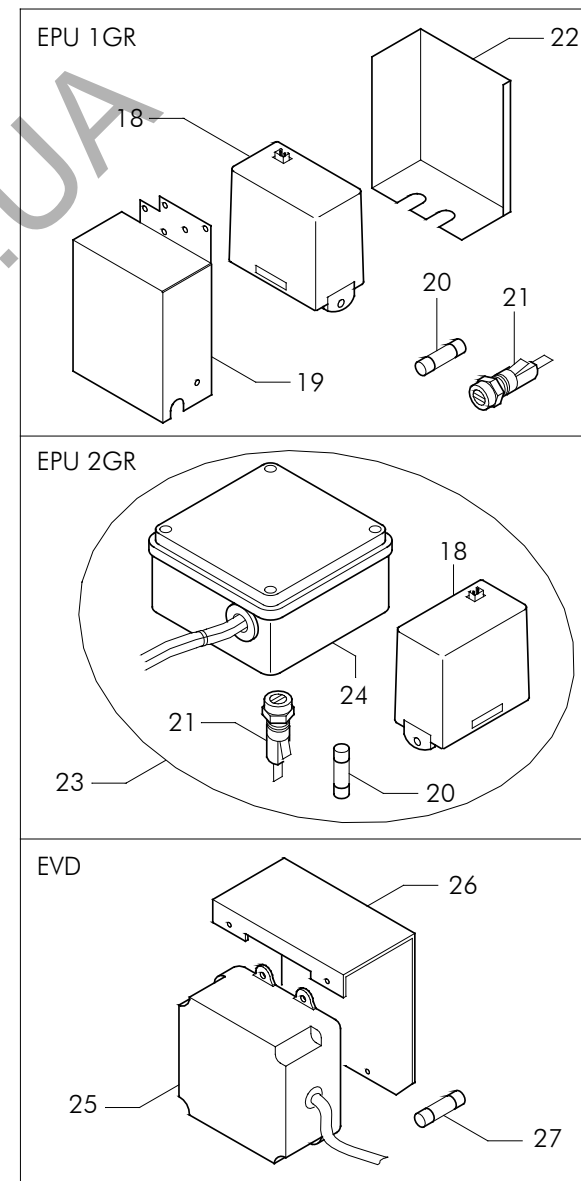
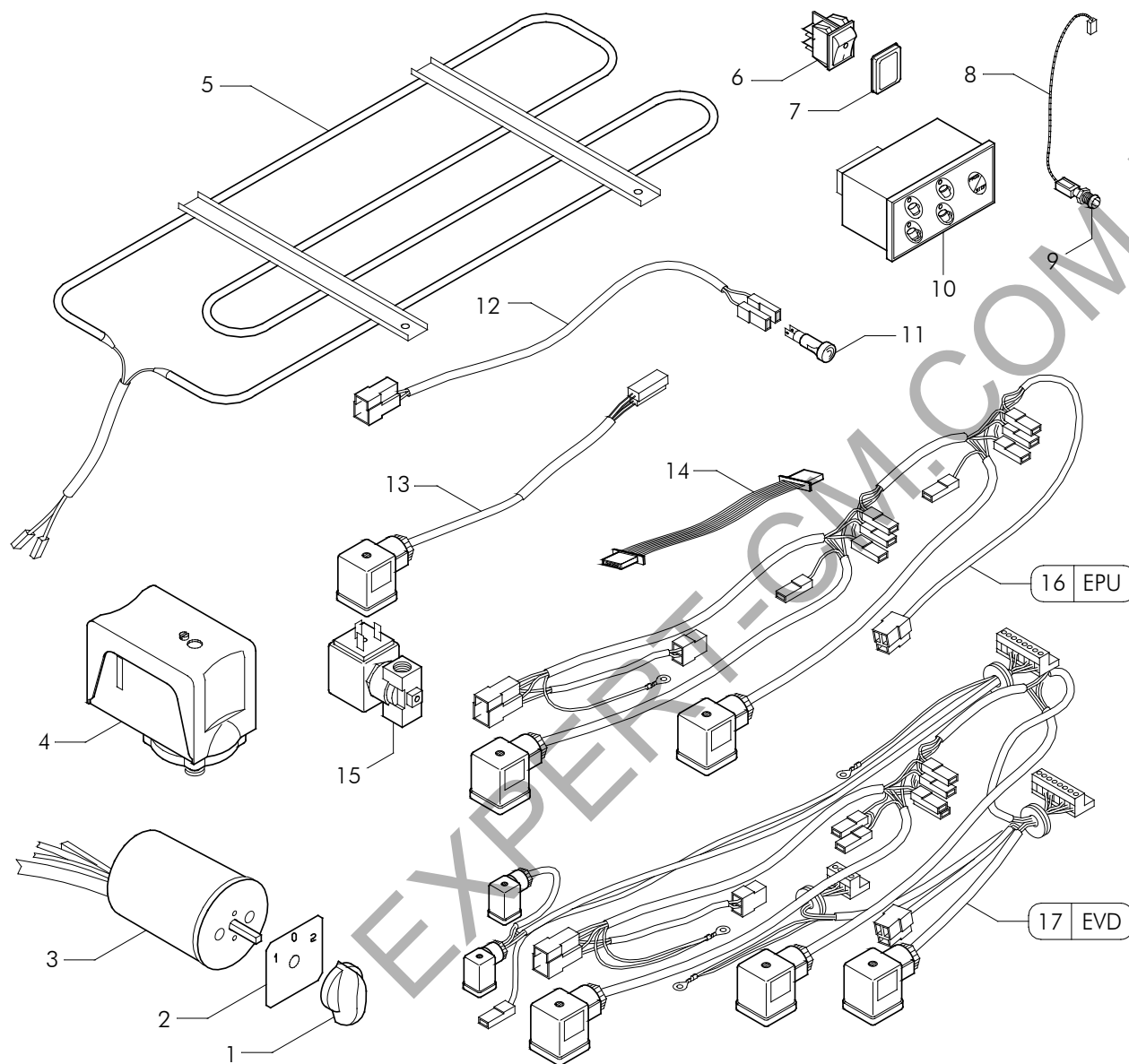


Pos	Cod.	Denominazione - IT -	Denomination - GB -	Denomination - FR -	Denomination - DE -
39	52003008	TBS.D-6 L.260 2-3GR SP 9 DOSATORE SX > I	TUBE D-6 L.260 SP9	TUYAU D-6 L.260 SP9	ROHR D-6 L.260 SP9
40	52000320	TBS.D-8 L.215 DV 2/A	D-8 215 L PIPE DV 2/A	TUYAU D-8 L.215 DV 2/	ROHR D. 8 L.215 DV 2/
41	52000202	TBS.D-6 L.65 DV 3	D-6 65 L PIPE DV 3	TUYAU D-6 L.65 DV	ROHR D. 6 L.65 DV
42	25708	RACCORDO 1/4X1/4	1/4X1/4 FITTING	RACCORD 1/4X1/4	ANSCHLUSS 1/4X1/4
43	25686	RACCORDO 1/4X1/4 FLANGIA	CONNECTOR 1/4 X 1/4 FLANGE	RACCORD 1/4 X 1/4 BRIDE	ANSCHLUSS 1/4X1/4 FLANSCH
44	12153	GUARNIZIONE CU 1/4 17X13.3X1.5	1/4 17X13.3X1.5 COPPER SEAL	JOINT CUIVRE 1/4 17X13.3X1.5	KUPFERDICHTUNG 1/4 17X13.3X1.5
45	18126	DOSATORE FLOWMETER FH 12 909602	FH 12 907613 FLOWMETER DOSER	DOSEUR FLOWMETER FH 12 907613	DOSIERER FLOWMETER FH 12 907613
46	56134001	ASSIEME BLOCCHETTO POMPA	UNIT PUMP	ENSEMBLE POMPE	PUMPENSATZ

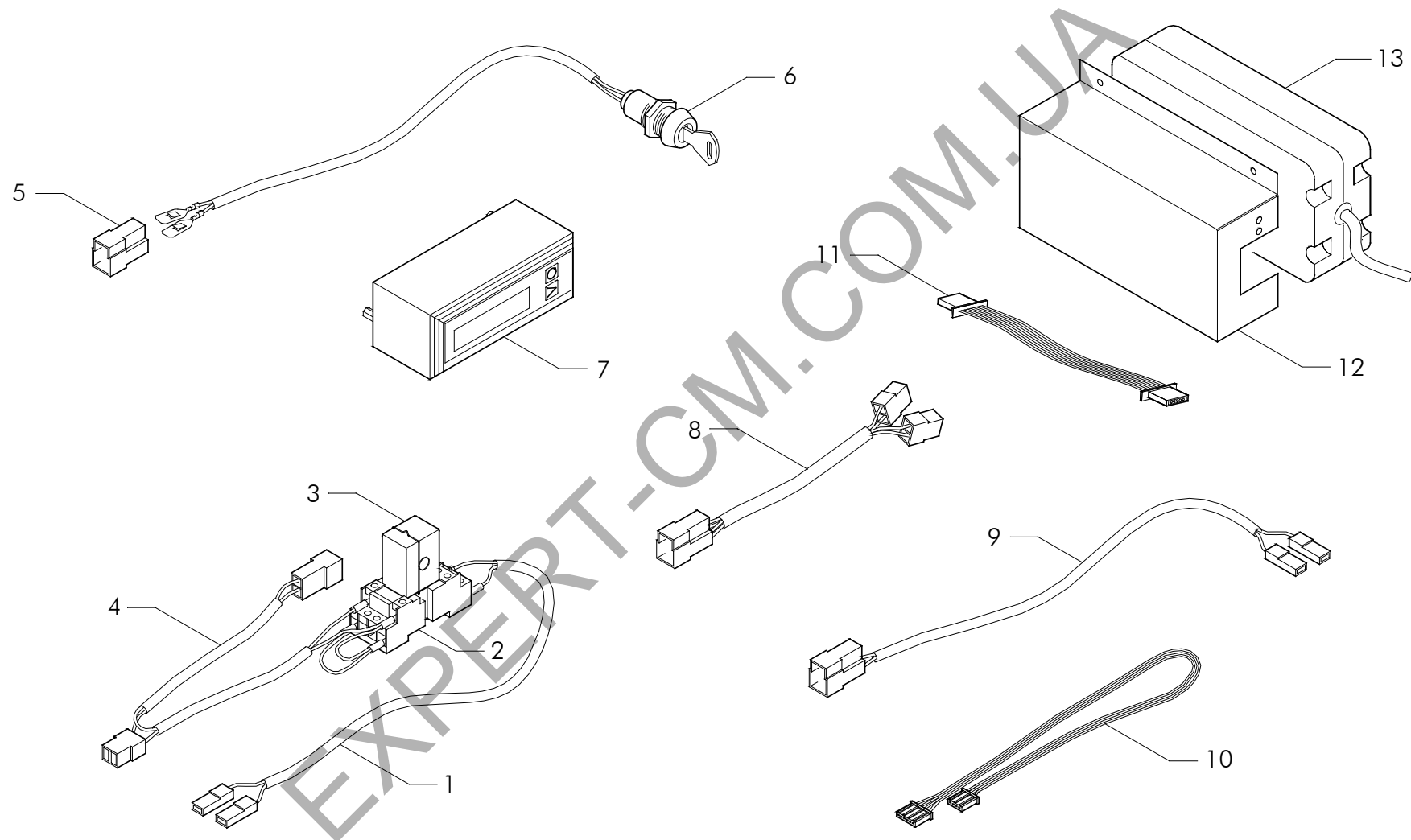


LIVELLO ACQUA - WATER LEVEL - NIVEAU EAU - WASSER NIVEAU

Pos	Cod.	Denominazione - IT -	Denomination - GB -	Denomination - FR -	Denomination - DE -
1	25780	TAPPO MASCHIO OTTONE 1/4	BRASS MALE CAP 1/4	BOUCHON MALE LAITON 1/4	MESSING-STOPFEN 1/4
2	12153	GUARNIZIONE CU 1/4 17X13.3X1.5	1/4 17X13.3X1.5 COPPER SEAL	JOINT CUIVRE 1/4 17X13.3X1.5	KUPFERDICHTUNG 1/4 17X13.3X1.5
3	53001	CORPO LIVELLO INFERIORE	LOWER LEVEL CONNECTOR	CORPS DE NIVEAU INFERIEUR	UNTERNIVEAUKORPER
4	25651	RONDELLA OTTONE 3/8	BRASS WASHER 3/8	RONDELLE LAITON 3/8	MESSINGSCHIEBE 3/8
5	25356	CONTRODADO OTTONE 3/8	BRASS LOCK NUT 3/8	CONTRE-ECROU LAITON 3/8	MESSING-GEGENMUTTER 3/8
6	52002962	TBS.D-10 L.160 W 226	TUBE D-10 L.160 W226	TUYAU D-10 L.160 W226	ROHR D-10 L.160 W226
7	52002958	TBS.D-10 L.160 W 1/E	TUBE D-10 L.160 W1/E	TUYAU D-10 L.160 W1/E	ROHR D-10 L.160 W1/E
8	15300	PALLINA LIVELLO D7	LEVEL-INDICATING BALL D6.5	FLOTTEUR NIVEAU D'EAU D6.5	KUGEL DES NIVEAUANZEIGER D6.5
9	12200	GUARNIZIONE GOMMA X LIVELLO 16X10X8 SMUS	SIGHT GLASS RUBBER GASKET 16X10X8	JOINT CAOUTCHOUC DE NIVEAU 16X10X8	GUMMIDICHTUNG FÜR NIVEAU 16X10X8 ABGEKAN
10	25652	RONDELLA OTTONE D17.8	BRASS WASHER D.17.8	RONDELLE LAITON D.17.8	MESSING-SCHIEBE D.17.8
11	25383	DADO OTTONE M20X1.5	BRASS NUT 20X1.5	ECROU LAITON 20X1.5	MESSING-MUTTER 20X1.5
12	21300	TUBO VETRO PIREX LIVELLO 11X8X170	PYREX GLASS LEVEL TUBE 11X8X170	TUBE NIVEAU EN VERRE PYREX 11X8X170	NIVEAU GLASROHR 11X8X170
13	56001	ASSIEME TUBO LIVELLO	LEVEL TUBE UNIT	ENSEMBLE TUBE DE NIVEAU	ROHRSATZ FÜR NIVEAU
14	44002	COPRILIVELLO VERNICIATO BIANCO	LEVEL INDICATOR COVER PAINTED WHITE	COUVRE-NIVEAU LAQUE BLANC	NIVEAUDECKEL
15	53002	CORPO LIVELLO SUPERIORE	UPPER LEVEL BODY	CORPS DE NIVEAU SUPERIEUR	OBERNIVEAUKORPER
16	52002698	TBS.D-10 L.300 W 1/B CALDAIA > LIVELLO S	TUBE D-10 L.300 W1/B	TUYAU D-10 L.300 W1/B	ROHR D-10 L.300 W1/B

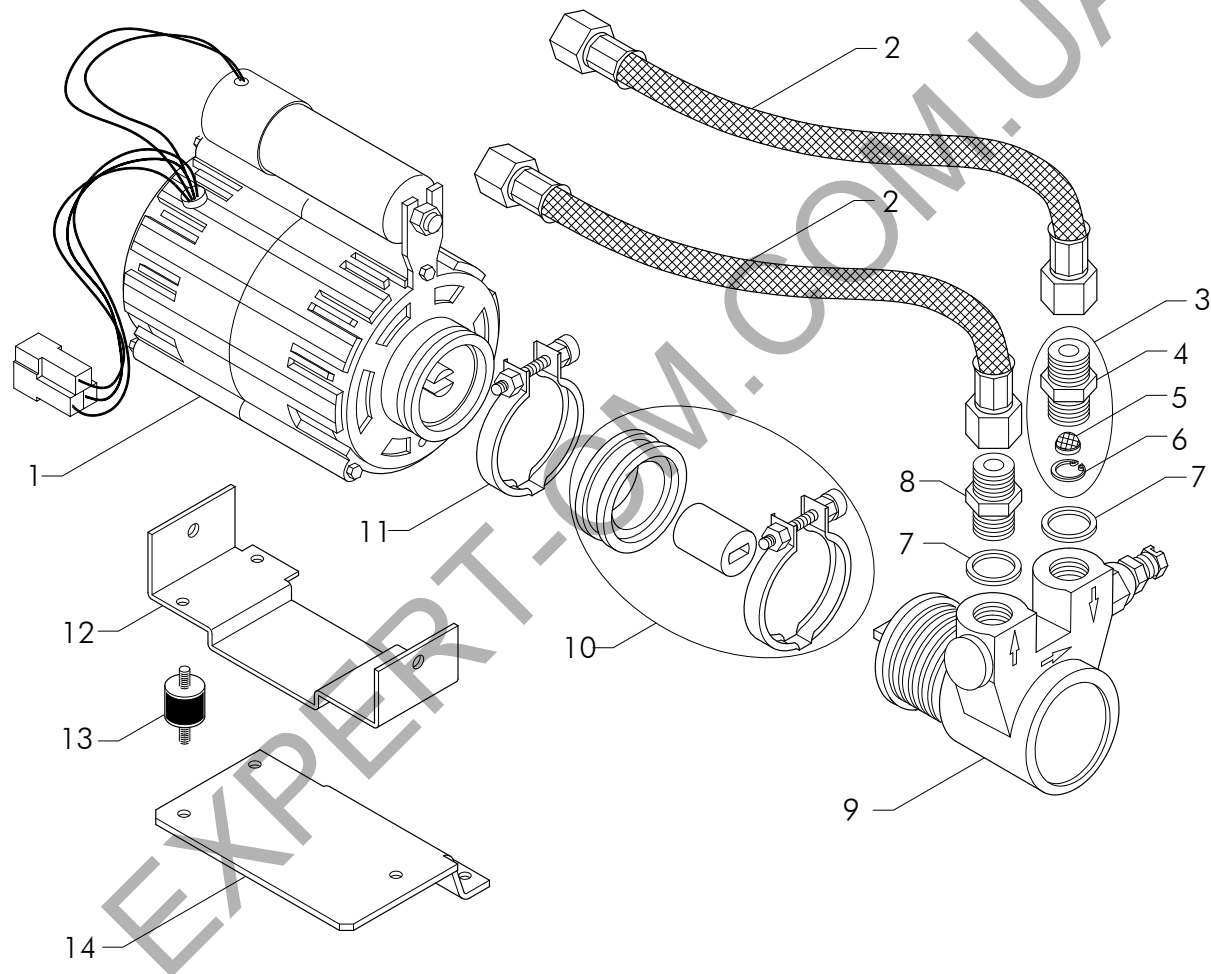


Pos	Cod.	Denominazione - IT -	Denomination - GB -	Denomination - FR -	Denomination - DE -
1	15271	MANOPOLA INTERR.GENERALE BREMAS	MAIN SWITCH HAND GRIP	MANETTE INTERR. GENERAL	HAUPTSCHALTERGRIF
2	29067	ETICHETTA ADESIVA '1-0-2'NERO PLASTICO 5	ADHESIVE LABEL '1-0-2' BLACK PLASTI	ETIQ. ADHES. 1-0-2' NOIR PLASTIQUE	KLEBEETIKETTE '1-0-2'SCHWARZ PLAST
2	29068	ETICHETTA ADESIVA '0-1'NERO PLASTICO 58X	PLASTIC ADHESIVE PLATE 0-1 58X58	PLAQUETTE ADHESIVE 0-1 58X58	KLEBESCHILD 0-1 58X58
3	18103	COMMUTATORE BREMAS A25.2 SCH.0408/7412	COMMUTATOR BREMAS A25.2	COMMUTATEUR BREMAS A25.2	UMSCHALTER BREMAS A25.2
3	18104	COMMUTATORE BREMAS A20.12 CS0177412.328	COMMUTATOR BREMAS A20.12	COMMUTATEUR BREMAS A20.12	UMSCHLATER BREMAS A20.12
3	18105	COMMUTATORE BREMAS A32.12 CS0257412.288	COMMUTATOR BREMAS A32.12	COMMUTATEUR BREMAS A32.12	UMSCHALTER BREMAS A32.12
4	20150	PRESSOSTATO SECCO SIRAI P302/6	SIRAI P302/6 DRY PRESSURE SWITCH	PRESSOSTAT SEC SIRAI P302/6	TROCKENDRUCKWÄCHTER SIRAI P302/6
5	17020	RESISTENZA 2GR 120V 200W	HEATING ELEMENT 2GR 120V 200W	RESISTANCE 2GR 120V 200W	WIDERSTAND 2GR 120V 200W
5	17022	RESISTENZA 2GR 230V 200W	HEATING ELEMENT 2GR 230V 200W	RESISTANCE 2GR 230V 200W	WIDERSTAND 2GR 230V 200W
6	18263	INTERRUTTORE BIP. NERO LED LUMIN.ROSSO B	BIP. LUMIN. BLACK SWITCH B438C1100G000	INTER.BIP.LUMIN. NOIR B438C1100G000	ZWEIP.SCHALTER M. SCHWARZ LEUCHE B438C1
7	19049	COPERTURA INTERRUTTORE B4	SWITCH COVER B4	PROTECTION INTERRUPTEUR	SCHALTER ABD. B4
8	22625	CAVO 1/2GR RL30/TIMEOUT CON LED	1/2 CABLE TIMEOUT UNIT WITH LED	CABLE 1/2 GR. RL30/TIMEOUT LED	KABEL 1/2GR. RL30/TIMEOUT MIT LED
9	21024	LED D5 COLORE ROSSO	RED LED D.5	LED ROUGE D.5	ROTES LED D.5
10	18371049	PULSANTIERA 5T	TOUCH PAD 5T	CLAVIER A TOUCHES 5T	DRUCKKNOPFTAFEL 5T
11	21010	LAMPADA SPIA VERDE 110V CAVI L=645	GREEN WARNING LIGHT 110V 32	LAMPE TEMOIN VERTE 110V	GRUNE KONTROLLAMPE 110V 32
11	21011	LAMPADA SPIA VERDE 220V 332247030T	220V 332247030T GREEN INDICATOR LIG	AMPOULE TEMOIN VERT 220V 332247030T	KONTROLLEUCHE GRÜN 220V 332247030T
12	227181	CABLAGGIO PROLUNGA LAMPADINA	WIRING FOR LAMP	CABLE PROLONGE LAMPE	VERDRAHTUNG LAMPE
13	22858	CABLAGGIO AEA 1-4GR	CABLE A.W.R. 1-4GR	CABLAGE R.E.A. 1-4GR	VERDRAHTUNG A.W.F.1-4GR
14	22608	CAVO PULSANTIERA 2C F. CM90 892909	TOUCH PAD CABLE 2C F.CM80 891857	CABLE CLAVIER A TOUCHES 2C F.CM80	KABEL DER DRUCKKNOPFTAFEL 2CF CM80
14	22609	CAVO PULSANTIERA 2C F. CM140 891859	TOUCH PAD CABLE 2C F. CM140 891859	CABLE CLAVIER A TOUCHES 2C F. CM140	KABEL DER DRUCKKNOPFTAFEL 2CF CM140
15	18162002	ELETTROVALVOLA 230V AEA VDE	SOL.VALVE WATER REFILL 230V PARKER	ELECTROVANNE REA 230V PARKER	ELEKTROVENTIL AWZ 230V PARKER
15	18195	ELETTROVALVOLA 120V VE140.2IR VDE/UL PAR	SOLENOID VALVE SCEM 2/2 110V 60HZ	ELECTROVANNE SCEM 2/2 110V 60HZ	MAGNETVENTIL SCEM 2/2 110V 60HZ
16	22884	CABLAGGIO EPU/1 TUV/OVE	CABLE EPU/1 TUV/OVE	CABLAGE EPU/1 TUV/OVE	EPU/1 VERDRAHTUNG TUV/OVE
16	22885	CABLAGGIO EPU/2 TUV/OVE	CABLE EPU/2 TUV/OVE	CABLAGE EPU/2 TUV/OVE	EPU/2 VERDRAHTUNG TUV/OVE
17	228005	CABLAGGIO SAE-EVD/1 NEW X PG9	CABLE SAE-EVD/1 NEW X PG9	CABLAGE SAE-EVD/1 NEW X PG9	VERDRAHTUNG SAE-EVD/1 NEW X PG9
17	228006	CABLAGGIO SAE-EVD/2 NEW X PG9	CABLE SAE-EVD/2 NEW X PG9	CABLAGE SAE-EVD/2 NEW X PG9	VERDRAHTUNG SAE-EVD/2 NEW X PG9
18	18080001	REGOLATORE LIVELLO RL30/T.O.220/240V 917	LEVEL CONTROL RL30/T.O.220/240V	CONTROLE NIVEAU RL30/T.O.220/240V	WASSERNIVEAUREGLER RL30/TO 220/240V
18	18081001	REGOLATORE LIVELLO RL30/TIMEOUT 120V	LEVEL CONTROL RL30/TIMEOUT 120V	CONTROLE NIVEAU RL30/TIMEOUT 120V	WASSERNIVEAUREGLER RL30/TO 120V
19	78200	SUPPORTO AEA RL30 X TUTTI I TELAI MODUL	AWR BEARING RL30XALL MODUL.FRAMES	SUPPORT REA RL30 POUR TOUS CHASSIS MOD.	AWF HALTER RL30XFUR ALLE MOD.RAHMEN
20	19101	FUSIBILE 5X20 2A SF520220 OMEGA	FUSE OMEGA 5X20 2A SF520220	FUSIBLE OMEGA 5X20 2A SF520220	SCHMELZSICH.OMEGA 5X20 2A SF520220
21	19122	PORTAFUSIBILE P2300 10A 250V OMEGA	FUSE HOLDER P2300 10A 250V OMEGA	PORTE-FUSIBLE P2300 10A 250V OMEGA	SICHERUNGSHALTER P2300 10A 250V OM.
22	77691F	PROTEZIONE CENTRALINA RL30 PER SUPP.7820	RL30 GEARCASE PROTECTION FOR SUPP.78200	PROTECTION RL30	SCHUTZGITTER RL30
23	56302001	ASS.SCATOLA AEA CENT/CABL 230V	AEA BOX UNIT 230V	ENSEMBLE BOITE AEA 230V	AEA BEHALTER BAUGRUPPE 230V
23	56302002	ASS.SCATOLA AEA CENT/CABL 120V	AEA BOX UNIT 120V	ENSEMBLE BOITE AEA 120V	AEA BEHALTER 120V
24	15373100	SCATOLA RL 30	RL 30 BOX	BOITE RL 30	RL 30 BEHALTER
25	18090030	CENTRALINA 1-3GR 120V RL3	CONTROL UNIT 1-3GR 120V RL3	CENTR. 1-3GR 120V RL3	EINHEIT 1-3GR 120V RL3
25	18090031	CENTRALINA 1-3GR 230V RL3	CONTROL UNIT 1-3GR 230V RL3	CENTR. 1-3GR. 230V RL3	EINHEIT 1-3GR 230V RL3
26	78152002	SUPP.CENTRALINA RL3 TELAIO START	GEARCASE BEARING JUN - FRAME ARG.	SUPPORT CENTRALE JUN-CHASSIS ARG.	STEUERUNG HALTER JUN-RAHMEN ARG.
27	19104	FUSIBILE OMEGA 5X20 T-10A	FUSE OMEGA 5X20 T-10A	FUSIBLE OMEGA 5X20 T-10A	SCHMELZSICHERUNG OMEGA 5X20 T-10A



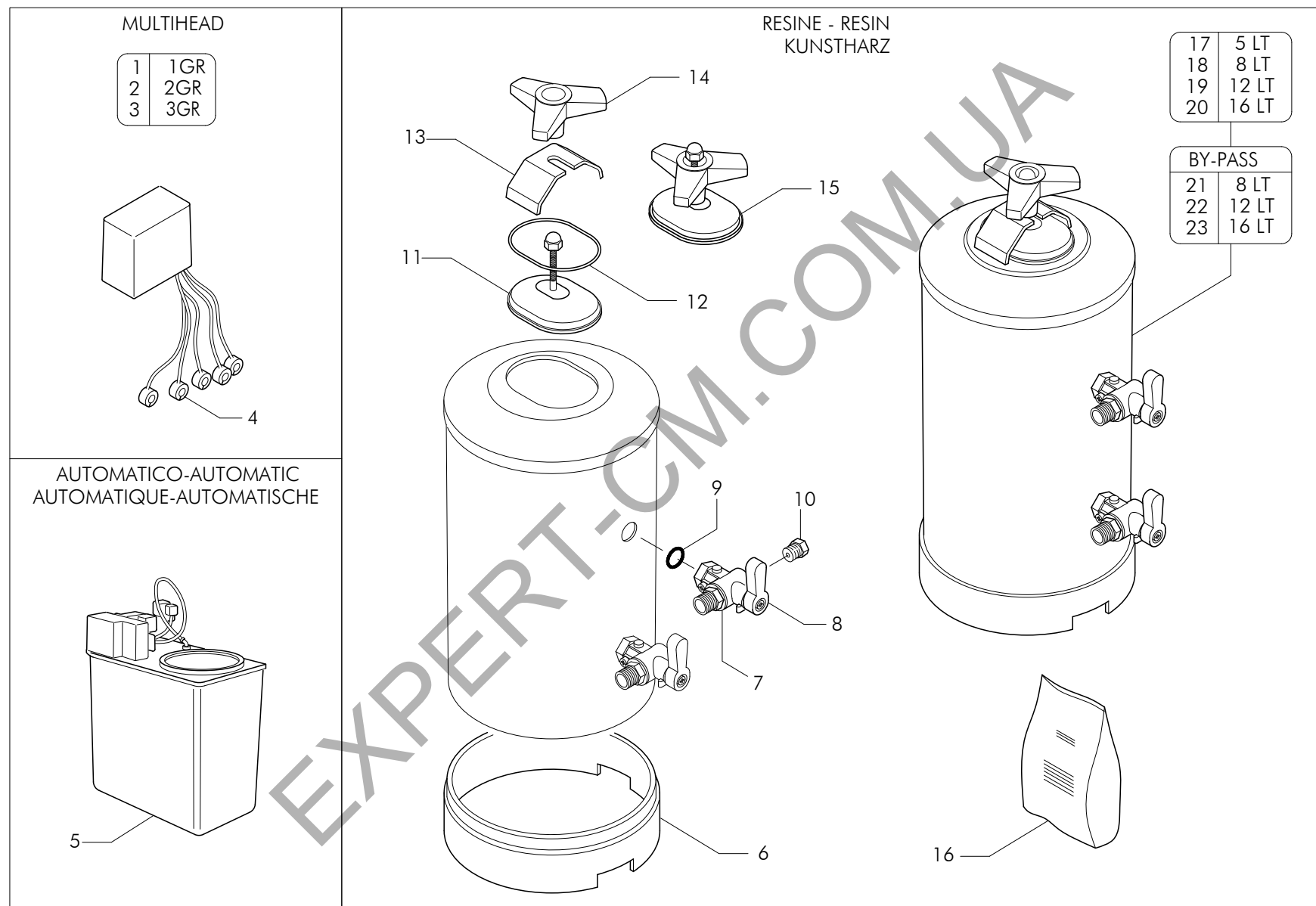
Impianto elettrico DISPLAY - Electrical system DISPLAY - Circuit électrique DISPLAY - Strom anlage DISPLAY

Pos	Cod.	Denominazione - IT -	Denomination - GB -	Denomination - FR -	Denomination - DE -
1	22715816	CABLAGGIO INTERRUTTORE PP+DISPLAY	CABLE FOR LOW LEVEL PROBE	CABLE INTERRUPTEUR	SCHALTER KABEL
2	18454101	ZOCCOLO 4C RELAIS 9474	RELAY CONNECTION BLOCK 4C 9474	SOCLE DE CONNECTEUR RELAIS 4C 9474	SOCKEL RELAIS 4C 9474
3	18460003	RELAIS 4C 230V 55.34.8.230.0054	RELAY 4C 230V 55.34.8.230.0054	RELAIS 4C 230V 55.34.8.230.0054	RELAIS 4C 230V 55.34.8.230.0054
4	22715815	CABLAGGIO ALIMENTAZIONE RELAIS PP+DISPLA	RELAY CABLE + DISPLAY	CABLAGE RELAIS + DISPLAY	RELAIS KABEL + DISPLAY
5	15073	CONN.2VIE PORTA M+FASTON	CONNECTOR 2V + FASTON	CONNECTEUR 2V + FASTON	VERKABELUNG STECKVERBINDUNG 2V + FASTON
6	22715814	CABLAGGIO COMPLETO DI BLOCCO CHIAVI	CABLE FOR LOW LEVEL PROBE	CABLAGE CLE	SCHLUSSEL KABEL
7	26020	CONTABATTUTE CON DISPLAY 01.43.0021	DISPLAY 01.43.0021	DISPLAY 01.43.0021	DISPLAY 01.43.0021
8	227178	CABLAGGIO SDOPPIATORE USCITA	CABLE CONNECTION	CABLAGE JONCTION	VERDRAHTUNG VERBINDUNG
9	227181	CABLAGGIO PROLUNGA LAMPADINA	WIRING FOR LAMP	CABLE PROLONGE LAMPE	VERDRAHTUNG LAMPE
10	22540	CAVO MULTIVIE PER CONTABATTUTE	MULTIWAYS WIRE COFFEE COUNTER	CABLAGE COMPTE-COUPS	KABEL KAFFEEZAEHLER
11	22627	CAVO PULSANTIERA 10 POLI 80CM	80 CM CONNECTOR FOR P.BUTTON PANEL	CABLE CLAVIER 10 POLES 80 CM	KABEL BEDIENBL. 10 POLIG 80CM
11	22628	CAVO PULSANTIERA 10 POLI 140CM	140 CM CABLE FOR P.BUTTON PANEL	CABLE CLAVIER 10 POLES 140 CM	KABEL BEDIENBL. 10 POLIG 140CM
12	78151	SUPPORTO CENTRALINA SAE	CONTROL UNIT SUPPORT SAE FRAME A/W	SUPPORT CENTRALE SAE CHASSIS AW	STEUERUNG-HALTER SAE RAHMEN A/W
13	18090016	CENTRALINA 1>3GR UL ES 230V DOS S	CONTROL UNIT 1>3GR UL ES 230V	CENTR.1>3GR UL ES 230V DOS S	EINHEIT 1>3GR UL ES 230V DOS S
13	18090017	CENTRALINA 1>3GR UL ES 120V DOS S	CONTROL UNIT 1>3GR UL ES 120V DOS S	CENTR.1>3GR UL ES 120V DOS S	EINHEIT 1>3GR UL ES 120V DOS S



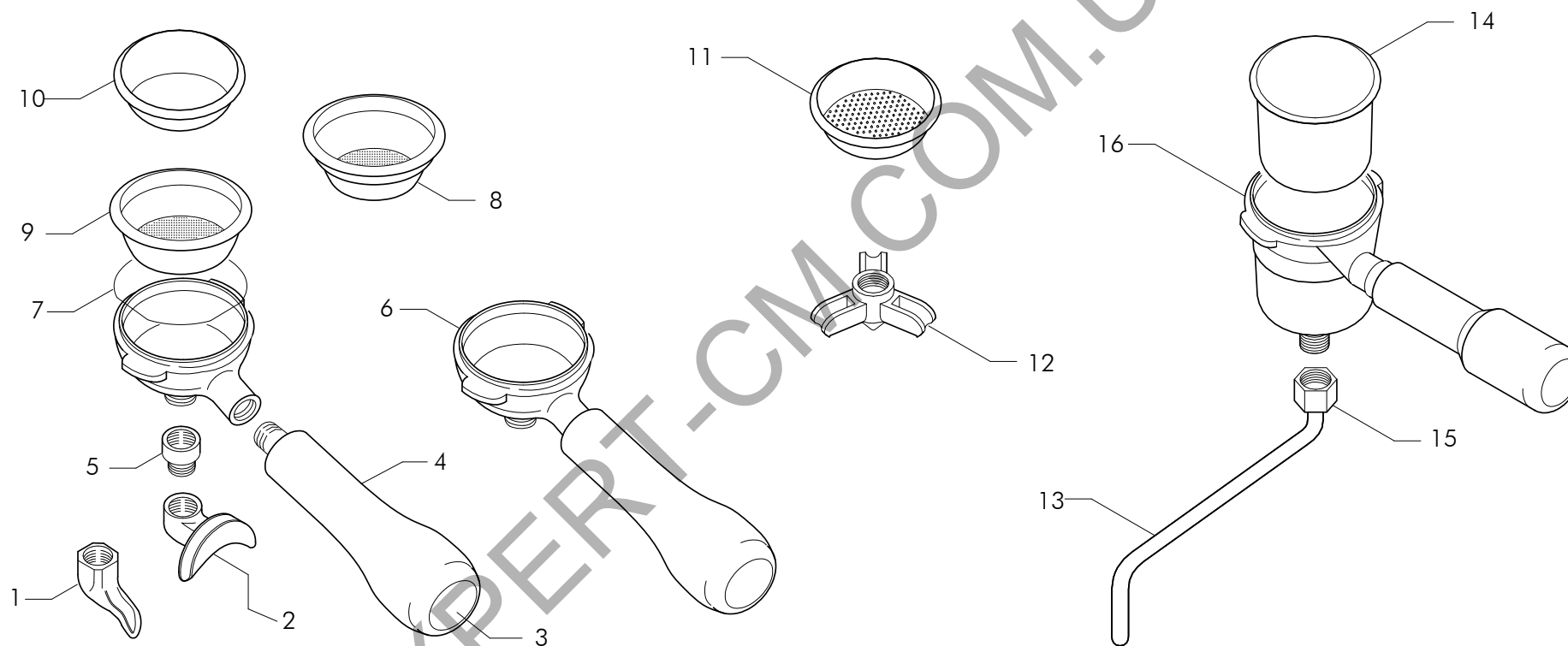
MOTOPOMPA - MOTOR PUMP - MOTOPOMPE - MOTOR PUMP

Pos	Cod.	Denominazione - IT -	Denomination - GB -	Denomination - FR -	Denomination - DE -
1	18303	MOTORE R.P.M. 230V 120W	MOTOR R.P.M. 230V 120W	MOTEUR R.P.M. 230V 120W	MOTOR R.P.M. 230V 120W
1	18304	MOTORE R.P.M. 110V 120W	MOTOR R.P.M. 110V 120W	MOTEUR R.P.M. 110V 120W	MOTOR R.P.M. 110V 120W
2	30403	TUBOFLEX 3/8FF P.GOMMA CON. L33 NI	3/8 FEMALE L33 FLEX PIPE CONICAL HOSE F	TUYAU FLEX 3/8 FF L33 PORTE-TUYAU	SCHLAUCH 3/8 AUFNAHMETÜR L33 GUMMI KONI
2	30404	TUBOFLEX 3/8FF P.GOMMA CON. L45 NI	3/8 FEMALE L45 FLEX PIPE CONICAL HOSE F	TUYAU FLEX 3/8 FF L45 PORTE-TUYAU	SCHLAUCH 3/8 AUFNAHMETÜR L45 GUMMI KONI
3	56116	RACCORDO 3/8+3/8 MOTOPOMPA ASSIEME	CONNECTOR 3/8+3/8 PUMP ASSEMBLY	RACCORD 3/8 + 3/8 ENS. MOTOPOMPE	ANSCHLUSS 3/8 + 3/8 MOTORP. ZUSAMMEN
4	25732	RACCORDO 3/8X3/8 + SEDE FILTRO	3/8X3/8 FITTING + FILTER HOUSING	RACCORD 3/8X3/8 + LOG. FILTRE	ANSCHLUSS 3/8X3/8 + FILTERSITZ
5	10254	FILTRO ACCIAIO 160-200 MESH	STEEL FILTER 160-200 MESH	FILTRE EN ACIER 160-200 MESH	STAHLFILTER 160-200 MESH
6	10005	ANELLO DI ARRESTO INOX DIN472 D11	DIN472 D11 STAINLESS STEEL STOP RING	ANNEAU DE BUTEE INOX DIN472 D11	DRAHTSPRENGRING ROSTFREI DIN472 D11
7	12154	GUARNIZIONE CU 3/8 22X17X1.5	3/8 22X17X1.5 COPPER SEAL	JOINT CUIVRE 3/8 22X17X1.5	KUPFERDICHTUNG 3/8 22X17X1.5
8	25687	RACCORDO 3/8X3/8 GAS	3/8X3/8 GAS FITTING	RACCORD 3/8X3/8 GAZ	ANSCHLUSS 3/8X3/8 GAS
9	26303001	POMPA FLUID-O-TECH PO 104 NFS 3/8G	PUMP FLUID-O-TECH PO 104 NSF 3/8G	POMPE FLUID-O-TECH PO104 NFS 3/8G	PUMPE FLUID-O-TECH PO 104 NFS 3/8G
10	26310002	KIT DISACCOPPIAMENTO MOTORE-POMPA	KIT COUPLING MOTOR-PUMP	KIT ACCOUPLEMENT MOTEUR-POMPE	KIT MOTOR-PUMPE KUPPLUNG
11	26310003	FASCETTA GIUNZIONE MOTORE-POMPA	CLAMP MOTOR-PUMP	BANDE MOTEUR-POMPE	SCHELLE MOTOR-PUMPE
12	78174	SUPPORTO MOTORE INCORPORATO R.P.M.	MOTOR BEAR. RPM	SUPPORT MOT. RPM	EINGEBAUTER MOTORHALTER RPM
13	15105	GOMMA AMMORTIZZATORE X MOTORE RAF.H20 ZE	RUBBER FOR WATER COOLED MOTOR ZEC.	CAOUTCHOUC POUR MOTEUR REFROID.EAU ZEC.	GUMMI X WASSERGEKÜHLTER MOTOR ZEC.
14	78174000	SUPP.MOTORE RPM 120W TELAIO START	MOTOR BEAR. RPM	SUPPORT MOT. RPM	EINGEBAUTER MOTORHALTER RPM



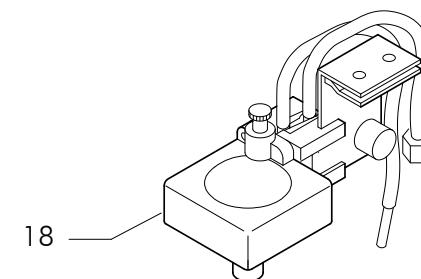
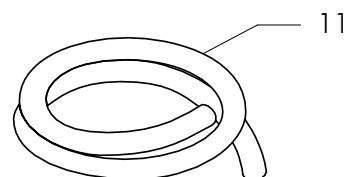
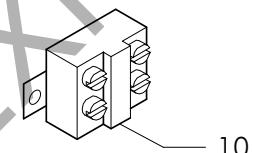
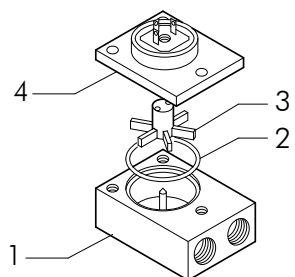
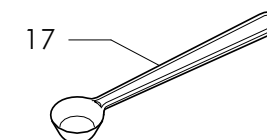
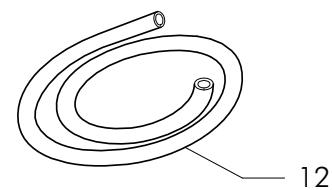
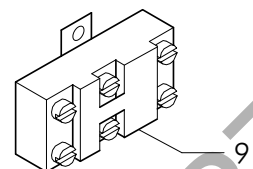
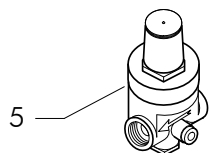
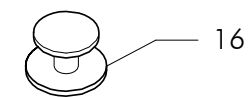
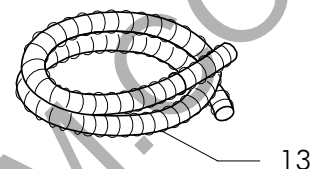
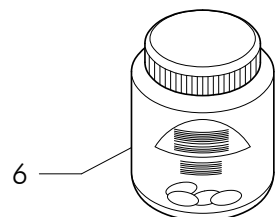
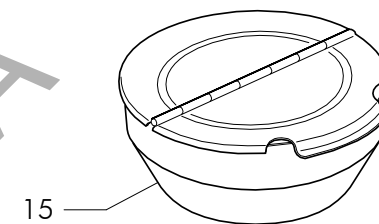
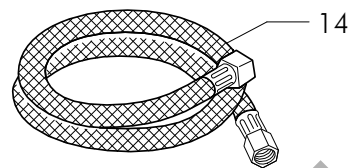
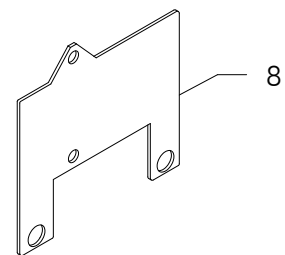
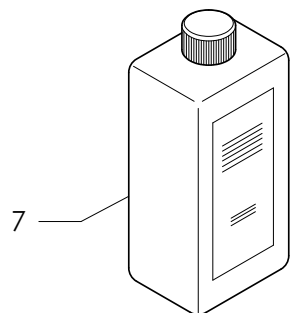
ADDOLCITORI - WATER SOFTENER - ADOUCISSEUR - ENTHARTER

Pos	Cod.	Denominazione - IT -	Denomination - GB -	Denomination - FR -	Denomination - DE -
1	83260006R	KIT ADD.MULTIHEAD 1GR 120V	MULTIHEAD SOFTENER KIT 1GR 120V	KIT ADOUCISSEUR MULTIHEAD 1GR 120V	ELEKT.ENTKAELKER MULTIHEAD 1GR 120V
1	83260007R	KIT ADD.MULTIHEAD 1GR 230V	MULTIHEAD SOFTENER KIT 1GR 230V	KIT ADOUCISSEUR MULTIHEAD 1GR 230V	ELEKT.ENTKAELKER MULTIHEAD 1GR 230V
2	83260025R	KIT ADD.MULTIHEAD 2GR 120V	MULTIHEAD SOFTENER KIT 2GR 120V	KIT ADOUCISSEUR MULTIHEAD 2GR 120V	ELEK.ENTKAELKER MULTIHEAD 2GR 120V
2	83260026R	KIT ADD.MULTIHEAD 2GR 230V	MULTIHEAD SOFTENER KIT 2GR 230V	KIT ADOUCISSEUR MULTIHEAD 2GR 230V	ELEKT.ENTKAELKER MULTIHEAD 2GR. 230V
3	83260028R	KIT ADD.MULTIHEAD 3GR 230V	MULTIHEAD SOFTENER KIT 3GR 230V	KIT ADOUCISSEUR MULTIHEAD 3GR 230V	ELEKT.ENTKAELKER MULTIHEAD 3GR. 230V
4	26038004	TESTA FERRITE MULTIHEAD	FERRITE RING MULTIHEAD	ANNEAU EN FERRITE MULTIHEAD	FERRITRING MULTIHEAD
5	26037	ADDOLC.AUT.CABIN.LT 8 DM 01 3/8"	AUTOMATIC WATER SOFTENER LT.8	ADOUCISSEUR AUTOMATIQUE LT.8	AUTOMATISCHE ENTHARTER DVA LT.8
6	28072	FONDELLO ADDOLCITORE	SOFTENER PLASTIC LOWER BASE	CULOT ADOUCISSEUR	BODEN ENTKALKER
7	28284	RUBINETTO PER ADDOLCITORE	TAP FOR SOFTENER	ROBINET POUR ADOUCISSEUR	HAHN FÜR ENTHÄRTER
8	28203	MANOPOLA ROSSA RUBINETTO ADDOLCIT.	RED HANDLE X WATER SOFTENER TAP	POIGNEE ROUGE X ROBINET ADOUCISSEUR	ROTER HANDGRIFF X ENTKALKERHAHN
9	12300	GUARNIZIONE OR 113 NBR/70	O RING GASKET 113 NBR/70	JOINT OR 113 NBR/70	OR-DICHTUNG 113 NBR/70
10	10320500	GIGLER OT X ADDOLCITORE M6 FORO D-0.8 R13	SOFTENER LOWER TAP GIGLEUR	GICLEUR LAITON POUR ADOUCISSEUR M6 X D-0	VERMESSINGTE ENTKALKER M6 D-0,8
11	28071	CORPO TAPPO + TIRANTEXADDOLCIT. C11	CAP + TIE ROD FOR SOFTENER	BOUCHON ADOUCISSEUR	ENTKALKERSTOPFEN
12	12410	GUARNIZIONE X TAPPO ADDOLCITORE	GASKET X WATER SOFTENER CAP	JOINT X BOUCHON ADOUCISSEUR	DICHTUNG X ENTKALKERSTOPFEN
13	28324	STAFFA TAPPO ADDOLCITORE C12	BRACKET CAP FOR SOFTENER	MEULE BOUCHON ADOUCISSEUR	BUGEL ENTKALKER
14	28205	MANOPOLA TAPPO ADDOLCITORE C9	SOFTENER TOP PLASTIC KNOB	POIGNEE BOUCHON ADOUCISSEUR	ENTKALKER HANDGRIFF
15	28205001	TAPPO ADDOLCITORE COMPLETO C10	SOFTENER COMLETE TOP LID	BOUCHON ADOUCISSEUR	DECKEL FUER ENTKALKER
16	28283	RESINA PER ADDOLCITORE	SOFTENER RESIN	RESINE ADOUCISSEUR	KUNSTHARZ FUR ENTKALKER
17	26029	ADDOLCITORE DVA LT5	WATER SOFTENER LT.5	ADOUCISSEUR LT.5	ENTKAELKER LT.5
18	26030	ADDOLCITORE DVA LT 8	DVA 8 LT WATER SOFTENER	ADOUCISSEUR DVA LT 8	ENTHÄRTER DVA LT 8
19	26031	ADDOLCITORE DVA LT 12	DVA 12 LT WATER SOFTENER	ADOUCISSEUR DVA LT 12	ENTHÄRTER DVA LT 12
20	26032	ADDOLCITORE DVA LT 16	DVA 16 LT WATER SOFTENER	ADOUCISSEUR DVA LT 16	ENTHÄRTER DVA LT 16
21	26033	ADDOLCITORE DVA LT 8 BY-PASS	WATER SOFTENER DVA LT.8 BY-PASS	ADOUCISSEUR DVA LT.8 BY-PASS	ENTKALKER DVA LT.8 BY-PASS
22	26034	ADDOLCITORE DVA LT 12 BY-PASS	WATER SOFTENER DVA LT. 12 BY-PASS	ADOUCISSEUR DVA LT. 12 BY-PASS	ENTHARTER DVA LT.12 BY-PASS
23	26035	ADDOLCITORE DVA LT 16 BY-PASS	SOFTNER DVA LT.16 BY-PASS	ADOUCISSEUR DVA LT. 16 BY-PASS	ENTHALTER DVA LT.16 BY-PASS



FILTRI/PORTAFILTRI - FILTERS/FILTER SUPPORT - FILTRE/PORTE FILTRE - FILTER/FILTERHALTERUNG

Pos	Cod.	Denominazione - IT -	Denomination - GB -	Denomination - FR -	Denomination - DE -
1	27032001	BECCUCCIO OTT/NI 1 TAZZA	BRASS SPOUT/NI 1 LONG CUP	BEC LAITON/NICKELE 1 TASSE LONG	AUGUSS MESSING/NICKEL 1 TASSE LANG
2	27042001	BECCUCCIO OTT/NI 2 TAZZE	2 CUPS BRASS/NICKEL SPOUT	BEC 2 TASSES LAITON/NICKEL	MESSING/NICK. SCHNABEL FÜR 2 TASSEN
3	15486006	TAPPO MANOPOLA PORTAFILTRO CROMATO	CAP FILTER HOLDER KNOB	BOUCHON POIGNEE PORTE-FILTRE	GRIFFVERSCHLUSS FILTERHALTER
4	15263010	MANOPOLA PORTAFILTRO NERA+INSERTO M12	FILTER HOLDER KNOB	POIGNEE PORTE-FILTRE	FILTERHALTER GRIFF
5	27060201	PROLUNGA BECCUCCIO 1/2 TAZZE	EXTENSION	PROLONGE	VERLANGERUNG
6	27311010	PORTAFILTRO LAV.+ CROM.+MANOPOLA	FILTER HOLDER	PORTE-FILTRE	FILTERGRIFF
7	27255	MOLLA FERMAFILTRO D-1,2	FILTER HOLDER SPRING	RESSORT FERME-FILTRE	FEDER FÜR FILTERHALTER
8	27142	FILTRO INOX 1 TAZZA E/61 + CANALINO	E/61 1 CUP STAINLESS STEEL FILTER+DUCT	FILTRE INOX 1 TASSE E/61 + RIGOLE	EDELSTAHL-FILTER 1 TASSE E/61 +FUE
9	27171	FILTRO INOX 2 TAZZE E/61 + CANALINO	E/61 2 CUP STAINLESS STEEL FILTER + DUCT	FILTRE INOX 2 TASSES E/61 + RIGOLE	EDELSTAHL-FILTER 2 TASSEN E/61 +
10	27173	FILTRO INOX 2 TAZZE CIECO	2 CUP STAINLESS STEEL CLOSED FILTER	FILTRE INOX 2 TASSES AVEUGLE	ROSTFREIER FILTER 2 TASSEN ÖFFNUNG
11	27190	FILTRO INOX 3 TAZZE 304/28	3 CUP STAINLESS STEEL FILTER 304/28	FILTRE INOX 3 TASSES 304/28	ROSTFREIER FILTER 3 TASSEN 304/28
12	27050	BECCUCCIO OTT/NI 3 TAZZE CORTO	BRASS SPOUT/NI 3 SHORT CUPS	BEC LAITON/NICKELE 3 TASSES COU	AUGUSS OTT/NI 3 TASSEN KURZ
13	52000155	TUB.D-10 L.215 FG 1 CANNETTA CROMATA	TUBE D-10 L.215	TUYAU D-10 L.215	ROHR D-10 L.215
14	27195	FILTRO INOX 1 TRONCONE H52MM GIG	1 LARGER SIZED STAINLESS STEEL FILT	FILTRE INOX 1 ELEMENT H52MM GIG	FILTER ROSTFREI STÄRKER H52MM GIG
15	25387	DADO 3/8 FORO 12.5	3/8 NUT 12.5 HOLE	ECROU 3/8 TROU 12.5	MUTTERS3/8 LOCH 12.5
16	61011	PORTAFILTRO GIGANTE +TUB.D8+DADO	GIANT FILTER SUPPORT	PORTE-FILTRE GEANT	GROSSER FILTERTAGER



Pos	Cod.	Denominazione - IT -	Denomination - GB -	Denomination - FR -	Denomination - DE -
1	18121	CORPO DOSATORE FLOWMETER FH 12	FH 12 FLOWMETER DOSING BODY	CORPS DOSEUR FLOWMETER FH 12	DOSIERKÖRPERFLOWMETER FH 12
2	12315	GUARNIZIONE OR 2112 28.2X1.78 VITON	O RING SEAL 28.2X1.78 VITON	JOINT OR 28.2X1.78 VITON	O-RINGDICHT.28.2X1.78 VITON
3	15505	VENTOLINO DOSATORE FLOWMETER	FLOWMETER DOSING FAN	DOSEUR FLOWMETER	KL.DOSIERUNGSLAUFRADE FLOWMETER
4	18565	TESTINA DOSATORE FLOWMETER FH 12	FH 12 FLOWMETER DOSER HEAD	TETE DOSEUR FLOWMETER FH 12	DOSIERERKOPF FLOWMETER FH 12
5	26330	RIDUTTORE PRESSIONE STANDARD PN25 DN3/8	STANDARD PRESS. REDUCTOR PN25 DN3	REDUCTEUR PRESS. STANDARD PN25 DN3	DRUCKREDUZIERER STANDARD PN25 DN3/8
6	8452	DETERGENTE KMR PASTIGLIE CONF.200PZ	KMR PACK OF 200 TAB	DETERG.KMR CONF.200 PASTIL	REINIGUNGSM. KMR PACK 200 TABL
7	8453	DETERGENTE V7000 CONF.1LT	DETERGENT V7000 - 1 LT. PACK	DETERSIF V7000 DE 1 LT	REINIGUNGSMITTEL V7000 PACKUNG 1 L
8	77699	SUPPORTO TERMOSTATI 2030000X	2030000X THERMOSTAT SUPPORT	SUPPORT THERMOSTATS 2030000X	THERMOSTATHALTER 2030000X
9	20300008	TERMOSTATO 3P 120C TREC1 67T26 505007	SAFETY CUT-OUT 3P 120C	THERMOSTAT 3P 120C	THERMOSTAT 3P 120C
10	20300006	TERMOSTATO 2P 120C TREC1 66TM 301631	SAFETY CUT-OUT 2P 120C	THERMOSTAT 2P 120C	THERMOSTAT 2P 120C
11	15458	TUBO RETINATO CRISTALLINO 16X10	TUBE 16X10	TUYAU 16X10	ROHR 16X10
12	15476	TUBO SILICONE 5X8 KGXMT 0.044	5X8 SILICONE PIPE	TUYAU SILICONE 5X8 KGXMT 0.04	SILIKONROHR 5X8 KGXMT 0.044
13	15470	TUBO CAVOFLEX D16 SCARICO	D16 CAVOFLEX DRAIN PIPE	TUYAU CAVOFLEX D16 SCARICO	ABFLUSSROHR CAVOFLEX D16
14	30401	TUBOFLEX 1/4FF P.GOMMA CON. L28 NI	1/4 FEMALE L28 FLEX PIPE CONICAL HOSE F	TUYAU FLEX 1/4 FF L28 PORTE-TUYAU	SCHLAUCH 1/4 AUFNAHMETÜR L28 GUMMI KONI
14	30403	TUBOFLEX 3/8FF P.GOMMA CON. L33 NI	3/8 FEMALE L33 FLEX PIPE CONICAL HOSE F	TUYAU FLEX 3/8 FF L33 PORTE-TUYAU	SCHLAUCH 3/8 AUFNAHMETÜR L33 GUMMI KONI
14	30404	TUBOFLEX 3/8FF P.GOMMA CON. L45 NI	3/8 FEMALE L45 FLEX PIPE CONICAL HOSE F	TUYAU FLEX 3/8 FF L45 PORTE-TUYAU	SCHLAUCH 3/8 AUFNAHMETÜR L45 GUMMI KONI
14	30407	TUBOFLEX 3/8FF P.GOMMA CON. L100 NI	3/8 FEMALE L100 FLEX PIPE CONICAL HOSE F	TUYAU FLEX 3/8 FF L100 PORTE-TUYAU	SCHLAUCH 3/8 AUFNAHMETÜR L100 GUMMI KONI
14	30408	TUBOFLEX 3/8FF P.GOMMA CON. L150 NI	3/8 FEMALE L150 FLEX PIPE CONICAL HOSE F	TUYAU FLEX 3/8 FF L150 PORTE-TUYAU	SCHLAUCH 3/8 AUFNAHMETÜR L150 GUMMI KONI
15	30300	ZUCCHERIERA INOX	STAINLESS STEEL SUGAR-BOWL	SUCRIER INOX	ZUCKERDOSE ROSTFREI
16	15420	PRESSINO CAFFE'	COFFEE PRESS	PRESSE CAFE	EINDRÜCKVORRICHTUNG
16	241034	FUSIONE ALLUMINIO 60/82 PRESSINO	COFFEE PRESS ALUMINIUM	PRESSE ALUMINIUM	EINDRÜCKVORRICHTUNG ALUMINIUM
17	15290	MISURINO IN PLASTICA GR.7	7 GR PLASTIC MEASURE	MESURE EN PLASTIQUE 7 GR.	PLASTIKMESSBECHER GR.7
17	30150	MISURINO ACCIAIO INOX	STAINLESS STEEL MEASURE GR.7	MESURE ACIER INOX 7GR.	EDELSTAHL-MESSBECHER 7GR.
18	83300000R	KIT CAPPUCCINATORE	KIT CAPPUCCINO MAKER	KIT CAPPUCCINO	KIT CAPPUCCINOGERAET