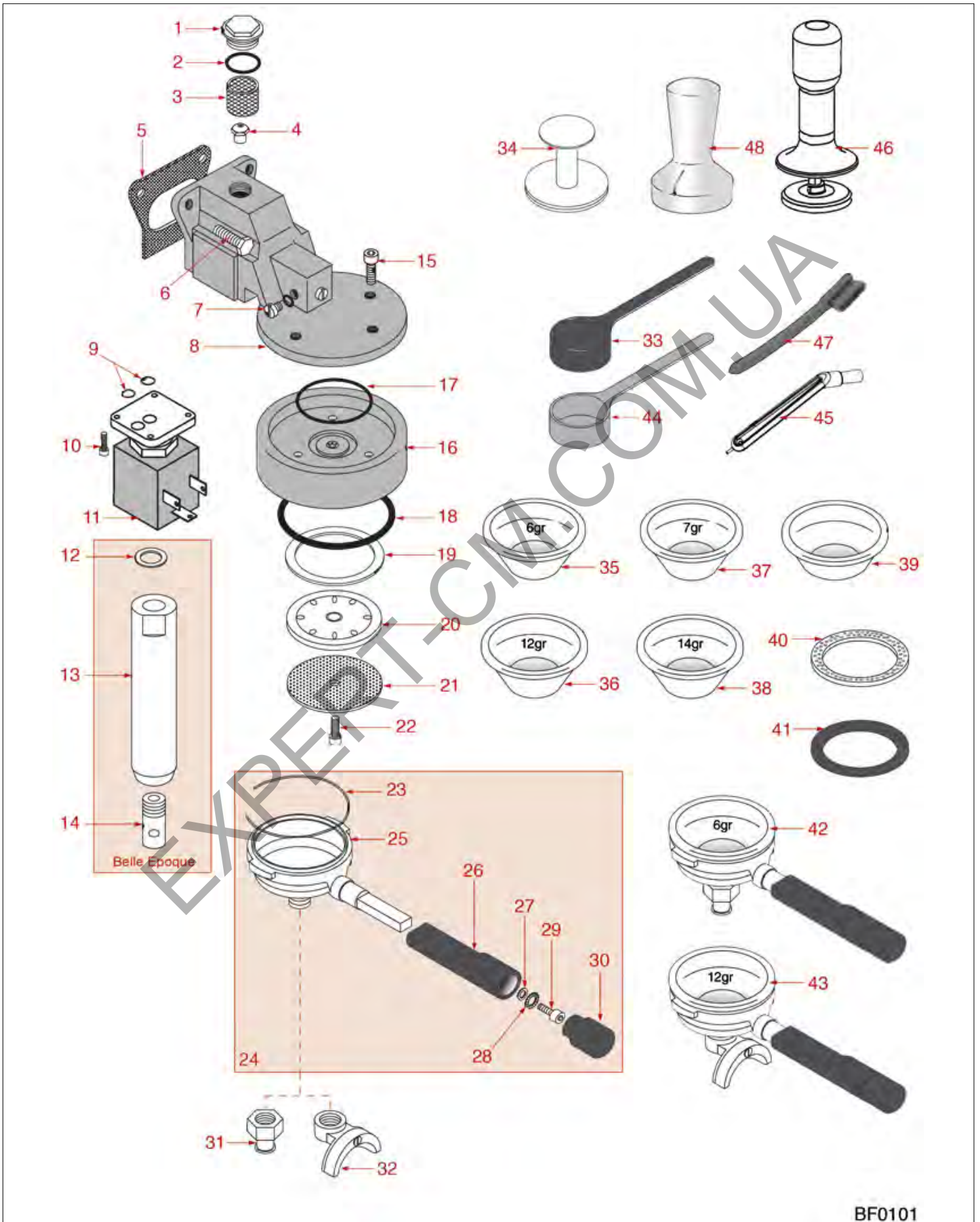




BREW GROUP FIRST SERIES



BF0101



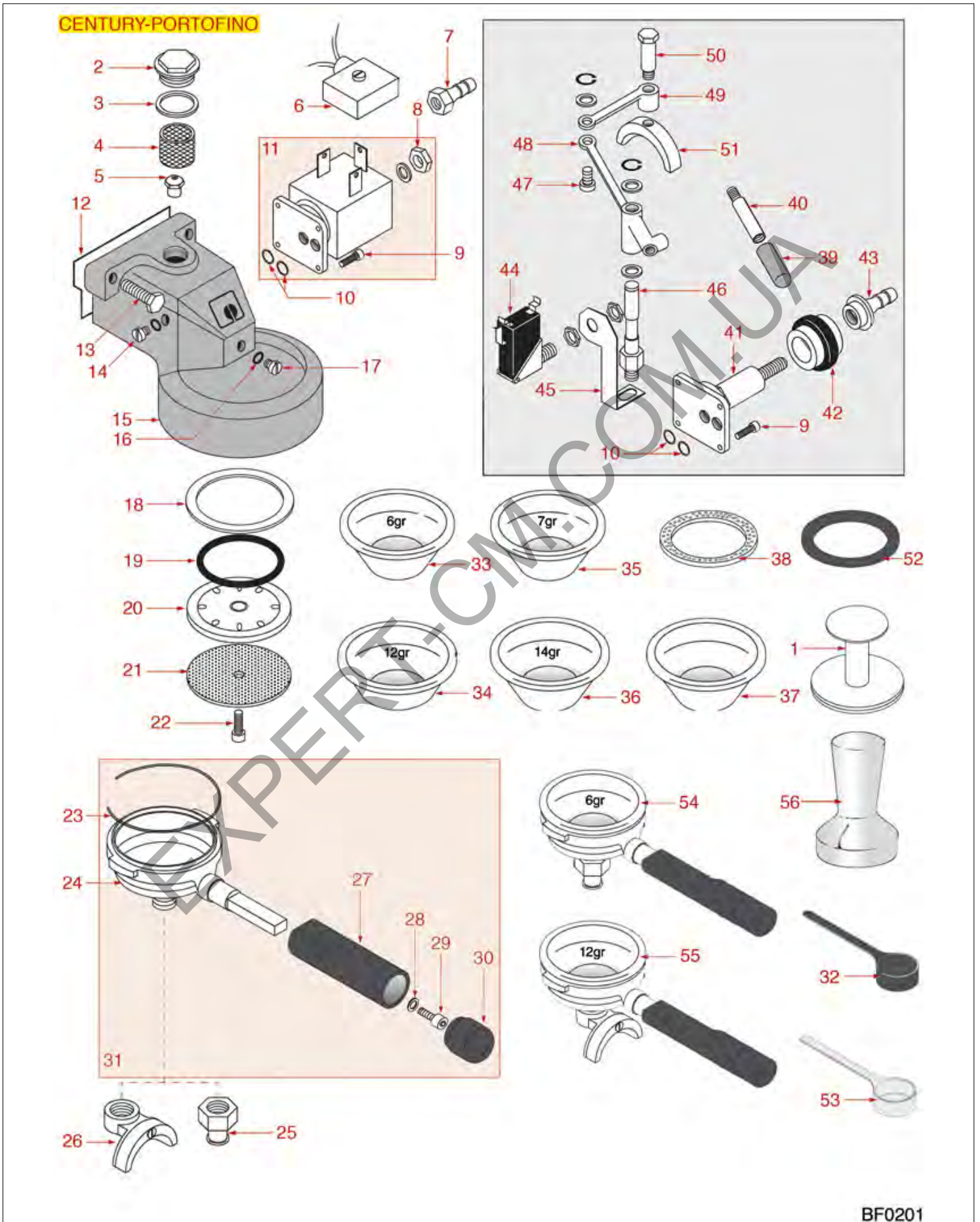
BRASILIA



Position	LF code no.	Description
1	1439003	CAP ø 18 mm FOR BREW GROUP
2	1186414	O-RING 0119 EPDM
3	1160501	WATER FILTER ø 14x10x12 mm
4	1500530	NOZZLE M5x1 HOLE ø 0.75 mm
5	1186652	COFFEE GROUP GASKET 77x51x3 mm
6	1184008	HEXAGON HEAD SCREW M8x25
7	1501003	CAP ø 1/8" M FOR BREW GROUP
9	1186611	O-RING 02025 RED SILICONE
9	1186612	O-RING 02025 VITON
10	1455034	CYLINDER HEAD SCREW M4x10
11	1120101	3-WAY SOLENOID VALVE PARKER 115V 50/60Hz
11	1120330	3-WAY SOLENOID VALVE LUCIFER 240V 50Hz
11	1120335	3-WAY SOLENOID VALVE PARKER 230V 50/60Hz
15	1184012	CYLINDER HEAD SCREW M5x10
17	1186655	O-RING 04131 EPDM
17	3160044	O-RING 03187 EPDM
18	3160044	O-RING 03187 EPDM
19	1186654	FILTER HOLDER GASKET ø 70x57x8 mm
19	1186656	FILTER HOLDER GASKET ø 67x56x6 mm
19	1186657	FILTER HOLDER GASKET ø 66x56x6 mm
19	1486018	FILTERHOLDER GASKET ø 66x56.5x5.3 mm
21	1081002	SHOWER SCREEN ø 51.5 mm
22	1528501	COUNTERSUNK HEAD SCREWS WITH SHELL M5x12
23	1250101	FILTER BLOCKING SPRING ø 1,00 mm INOX
26	1241067	FILTER KNOB M12
26	1241501	FILTER HOLDER HANDLE M12
27	1528008	WASHER FLAT M8
28	1186058	COGGED WASHER EXTERNAL M8
29	1528026	CYLINDER HEAD SCREW M8x20
31	1022501	SINGLE SPOUT ø 3/8"
31	1022503	STRAIGHT SINGLE SPOUT ø 3/8"
32	1022502	DOUBLE SPOUT ø 3/8"
33	1069001	PLASTIC MEASURING SPOON 20 ml
34	1385002	NYLON COFFEE TAMPER ø 50/57 mm
35	1160251	1 CUP FILTER 6 g
36	1160252	2-CUP FILTER 12 GRAMS
37	1160335	1 CUP FILTER 7 g
38	1160337	2-CUP FILTER 14 GRAMS
39	1160339	BLIND FILTER
40	1190001	PAPER SHIM ø 73x59x0.8 mm
40	1190021	PAPER SEAL ø 66x58x0.8 mm
41	1190002	RUBBER SHIM ø 73x59x1 mm EPDM
44	1069002	STAINLESS STEEL MEASURING SPOON 20 ml
45	1384001	BRUSH FOR COFFEE SHOWER
46	1385600	DYNAMOMETRIC MANUAL COFFEE TAMPER ø 57mm
47	1384002	BRUSH FOR MAINTENANCE
48	1385053	ANODISED ALUMINUM TAMPER ø 58 mm



BREW GROUP CENTURY-PORTOFINO



Positions without LF code no.: upon request



BRASILIA

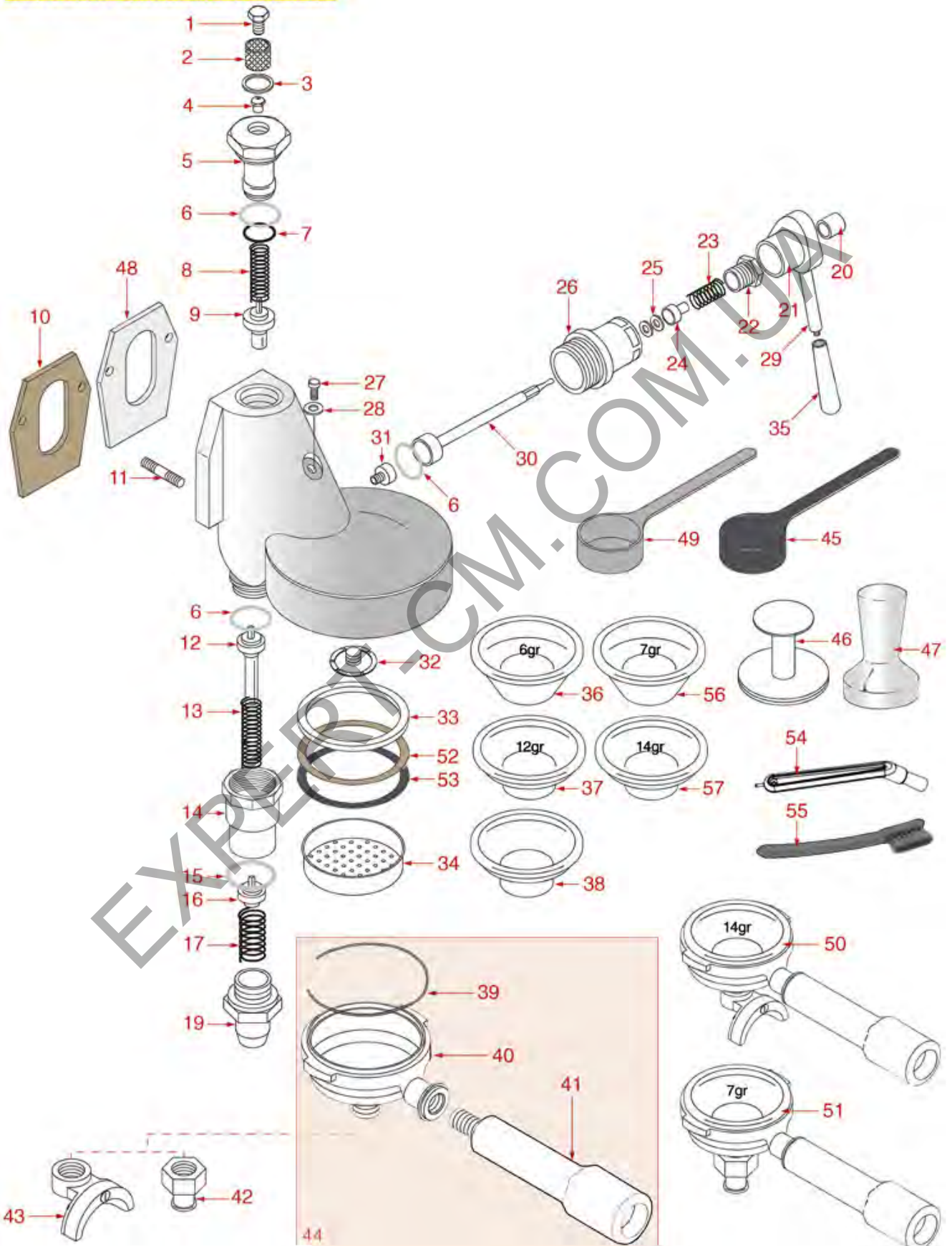


Position	LF code no.	Description
1	1385002	NYLON COFFEE TAMPER ø 50/57 mm
2	1439003	CAP ø 18 mm FOR BREW GROUP
3	1186414	O-RING 0119 EPDM
4	1160501	WATER FILTER ø 14x10x12 mm
5	1500530	NOZZLE M5x1 HOLE ø 0.75 mm
6	3120034	FEMALE LARGE CONNECTOR
7	1449349	DRAIN FITTING ø 1/8" Fx8 mm
8	1349009	LOW NUT 1/8"
9	1455034	CYLINDER HEAD SCREW M4x10
10	1186611	O-RING 02025 RED SILICONE
10	1186612	O-RING 02025 VITON
11	1120101	3-WAY SOLENOID VALVE PARKER 115V 50/60Hz
11	1120330	3-WAY SOLENOID VALVE LUCIFER 240V 50Hz
11	1120332	COIL LUCIFER/PARKER 220/240V 9W 50Hz
11	1120334	3-WAY MECHANICAL COMPONENT LUCIFER
11	1120335	3-WAY SOLENOID VALVE PARKER 230V 50/60Hz
11	1120339	3-WAY MECHANICAL COMPONENT PARKER
11	3120032	COIL PARKER ZB09 9W 220/240V 50/60Hz
12	1186652	COFFEE GROUP GASKET 77x51x3 mm
13	1184008	HEXAGON HEAD SCREW M8x25
16	1186803	O-RING 02037 EPDM
17	1184521	CAP ø 1/8" M FOR BREW GROUP
18	1186654	FILTER HOLDER GASKET ø 70x57x8 mm
19	3160044	O-RING 03187 EPDM
21	1081002	SHOWER SCREEN ø 51.5 mm
22	1528501	COUNTERSUNK HEAD SCREWS WITH SHELL M5x12
23	1250101	FILTER BLOCKING SPRING ø 1,00 mm INOX
25	1022501	SINGLE SPOUT ø 3/8"
25	1022503	STRAIGHT SINGLE SPOUT ø 3/8"
26	1022502	DOUBLE SPOUT ø 3/8"
28	1528008	WASHER FLAT M8
29	1528026	CYLINDER HEAD SCREW M8x20
32	1069001	PLASTIC MEASURING SPOON 20 ml
33	1160251	1 CUP FILTER 6 g
34	1160252	2-CUP FILTER 12 GRAMS
35	1160335	1 CUP FILTER 7 g
36	1160337	2-CUP FILTER 14 GRAMS
37	1160339	BLIND FILTER
38	1190001	PAPER SHIM ø 73x59x0.8 mm
38	1190051	PAPER SEAL ø 70x57x0.8 mm
42	1240731	PERMANENT MAGNET
44	3240410	MICROSWITCH 16(4)A 250V
52	1190002	RUBBER SHIM ø 73x59x1 mm EPDM
52	1190003	RUBBER SHIM ø 70x57x1 mm EPDM
53	1069002	STAINLESS STEEL MEASURING SPOON 20 ml
56	1385053	ANODISED ALUMINUM TAMPER ø 58 mm



GROUP CENTURY-PORTOFINO-GRADISCA

CENTURY-PORTOFINO-GRADISCA



BF0301

Positions without LF code no.: upon request



BRASILIA



Position	LF code no.	Description
1	1439001	CAP ø 16 mm FOR BREW GROUP
2	1160517	WATER FILTER ø 8.5x22 mm
3	1186326	PTFE FLAT GASKET ø 22x16x2 mm
4	1501522	NOZZLE M6x1 HOLE ø 0,75 mm
5	1027016	UPPER CHROMIUM-PLATED SLEEVE
6	1186328	PTFE FLAT GASKET ø 35x30x2 mm
7	1186591	O-RING 0128 VITON
8	1250537	SPRING ø 14x45 mm
9	1523053	COMPLETE SPOUT VALVE
10	1186384	COFFEE GROUP GASKET 80x70x2 mm
11	1184009	STAINLESS STEEL M8x25 mm STUD
12	1523452	COMPLETE DRAIN VALVE
13	1250537	SPRING ø 14x45 mm
14	1027002	OUTLET CHROMIUM-PLATED SLEEVE
15	1186117	PTFE FLAT GASKET ø 26x21x2 mm
16	1523453	COMPLETE DRAIN VALVE
17	1250515	SPRING ø 14x33 mm
19	1349537	DRAIN CHROMIUM-PLATED FITTING
20	1225002	CHROMIUM-PLATED CAP M6
21	1191022	CHROMIUM-PLATED CAM
22	1439533	STUFFING GLAND CHROME-PLATED FITTING
23	1250011	SPRING ø 14.6x21 mm RUBBERPIECE LOCKING
24	1186592	SPRING GUIDE BUSHING
25	1186312	EPDM FLAT GASKET ø 15.5x7.5x4 mm
26	1349022	CAMS CHROMIUM-PLATED FITTING
27	1184010	LOW CYLINDER HEAD SCREW M6x10
28	1186099	PTFE FLAT GASKET ø 10x6x1 mm
30	1324048	CAM ROD FOR COFFEE GROUP
31	1184005	CAM LOCKING STAINLESS STEEL SCREW M6
32	1501561	GROUP SPRAY NOZZLE ø 30 mm M10x1
33	1186061	FILTER HOLDER GASKET ø 72.5x57x8 mm
33	1186622	GASKET FILTER HOLDER ø 72x56x8 mm
34	1081016	SHOWER SCREEN ø 60 mm
34	1081116	SHOWER SCREEN ø 60 mm
34	1081216	SHOWER SCREEN ø 60 mm
34	1081516	SHOWER ø 60 mm
36	1160251	1 CUP FILTER 6 g
37	1160252	2-CUP FILTER 12 GRAMS
38	1160339	BLIND FILTER
39	1250101	FILTER BLOCKING SPRING ø 1,00 mm INOX
40	1165022	FILTER HOLDER COFFEE MACHINES
41	1241067	FILTER KNOB M12
41	1241501	FILTER HOLDER HANDLE M12
42	1022501	SINGLE SPOUT ø 3/8"
42	1022503	STRAIGHT SINGLE SPOUT ø 3/8"
43	1022502	DOUBLE SPOUT ø 3/8"
44	1165003	FILTER HOLDER ASSEMBLY BRASILIA
45	1069001	PLASTIC MEASURING SPOON 20 ml
46	1385002	NYLON COFFEE TAMPER ø 50/57 mm
47	1385053	ANODISED ALUMINUM TAMPER ø 58 mm
48	1186508	COFFEE GROUP GASKET 77x73x2 mm
49	1069002	STAINLESS STEEL MEASURING SPOON 20 ml
52	1190001	PAPER SHIM ø 73x59x0.8 mm
53	1190002	RUBBER SHIM ø 73x59x1 mm EPDM
54	1384001	BRUSH FOR COFFEE SHOWER
55	1384002	BRUSH FOR MAINTENANCE
56	1160335	1 CUP FILTER 7 g
57	1160337	2-CUP FILTER 14 GRAMS



BRASILIA

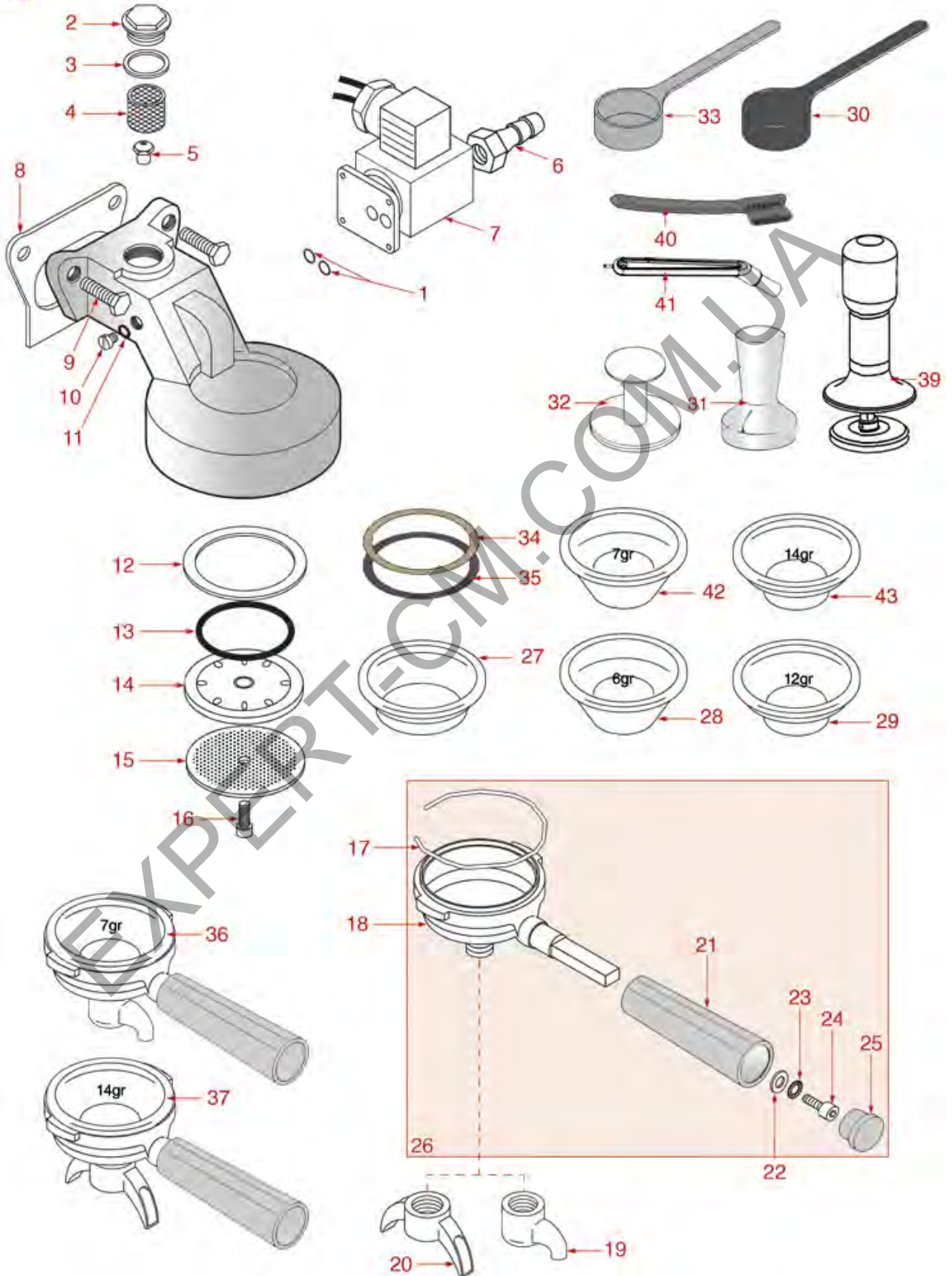


Position	LF code no.	Description
1	1439003	CAP ø 18 mm FOR BREW GROUP
2	1186414	O-RING 0119 EPDM
3	1160501	WATER FILTER ø 14x10x12 mm
4	1500530	NOZZLE M5x1 HOLE ø 0.75 mm
6	1186079	FLAT PTFE GASKET ø 17x13x3 mm
7	1184010	LOW CYLINDER HEAD SCREW M6x10
8	1186384	COFFEE GROUP GASKET 80x70x2 mm
9	1184009	STAINLESS STEEL M8x25 mm STUD
11	1120265	MECHANICAL BLOCK PARKER 3 WAYS
11	1120330	3-WAY SOLENOID VALVE LUCIFER 240V 50Hz
11	1120332	COIL LUCIFER/PARKER 220/240V 9W 50Hz
11	1120334	3-WAY MECHANICAL COMPONENT LUCIFER
11	1120339	3-WAY MECHANICAL COMPONENT PARKER
11	1120351	3-WAY SOLENOID VALVE PARKER 230V 50/60Hz
11	3120032	COIL PARKER ZB09 9W 220/240V 50/60Hz
12	1186611	O-RING 02025 RED SILICONE
12	1186612	O-RING 02025 VITON
13	1439001	CAP ø 16 mm FOR BREW GROUP
14	1160517	WATER FILTER ø 8.5x22 mm
15	1186326	PTFE FLAT GASKET ø 22x16x2 mm
16	1501522	NOZZLE M6x1 HOLE ø 0,75 mm
17	1027016	UPPER CHROMIUM-PLATED SLEEVE
18	1186328	PTFE FLAT GASKET ø 35x30x2 mm
19	3186183	O-RING 0128 EPDM
20	1439011	CHROMIUM-PLATED SIDE CAP
21	1186328	PTFE FLAT GASKET ø 35x30x2 mm
22	1449349	DRAIN FITTING ø 1/8" Fx8 mm
23	1455034	CYLINDER HEAD SCREW M4x10
24	1349007	DRAIN CHROMIUM-PLATED FITTING
25	1186356	O-RING 03075 EPDM
26	1324024	INFUSER SPINDLE
27	1250548	SPRING ø 11x58 mm INFUSION
28	1186328	PTFE FLAT GASKET ø 35x30x2 mm
29	1027018	OUTLET CHROMIUM-PLATED SLEEVE
31	1501561	GROUP SPRAY NOZZLE ø 30 mm M10x1
32	1081016	SHOWER SCREEN ø 60 mm
32	1081116	SHOWER SCREEN ø 60 mm
32	1081216	SHOWER SCREEN ø 60 mm
32	1081516	SHOWER ø 60 mm
33	1186061	FILTER HOLDER GASKET ø 72.5x57x8 mm
33	1186622	GASKET FILTER HOLDER ø 72x56x8 mm
34	1160339	BLIND FILTER
35	1160251	1 CUP FILTER 6 g
36	1160252	2-CUP FILTER 12 GRAMS
37	1250101	FILTER BLOCKING SPRING ø 1,00 mm INOX
38	1165022	FILTER HOLDER COFFEE MACHINES
39	1241501	FILTER HOLDER HANDLE M12
40	1165003	FILTER HOLDER ASSEMBLY BRASILIA
41	1022501	SINGLE SPOUT ø 3/8"
41	1022503	STRAIGHT SINGLE SPOUT ø 3/8"
42	1022502	DOUBLE SPOUT ø 3/8"
43	1385002	NYLON COFFEE TAMPER ø 50/57 mm
44	1069001	PLASTIC MEASURING SPOON 20 ml
45	1385053	ANODISED ALUMINUM TAMPER ø 58 mm
46	1186508	COFFEE GROUP GASKET 77x73x2 mm
47	1069002	STAINLESS STEEL MEASURING SPOON 20 ml
50	1190002	RUBBER SHIM ø 73x59x1 mm EPDM
51	1190001	PAPER SHIM ø 73x59x0.8 mm
52	1160335	1 CUP FILTER 7 g
53	1160337	2-CUP FILTER 14 GRAMS
54	1384002	BRUSH FOR MAINTENANCE
55	1384001	BRUSH FOR COFFEE SHOWER



BREW GROUP ROMA

ROMA



BF0501



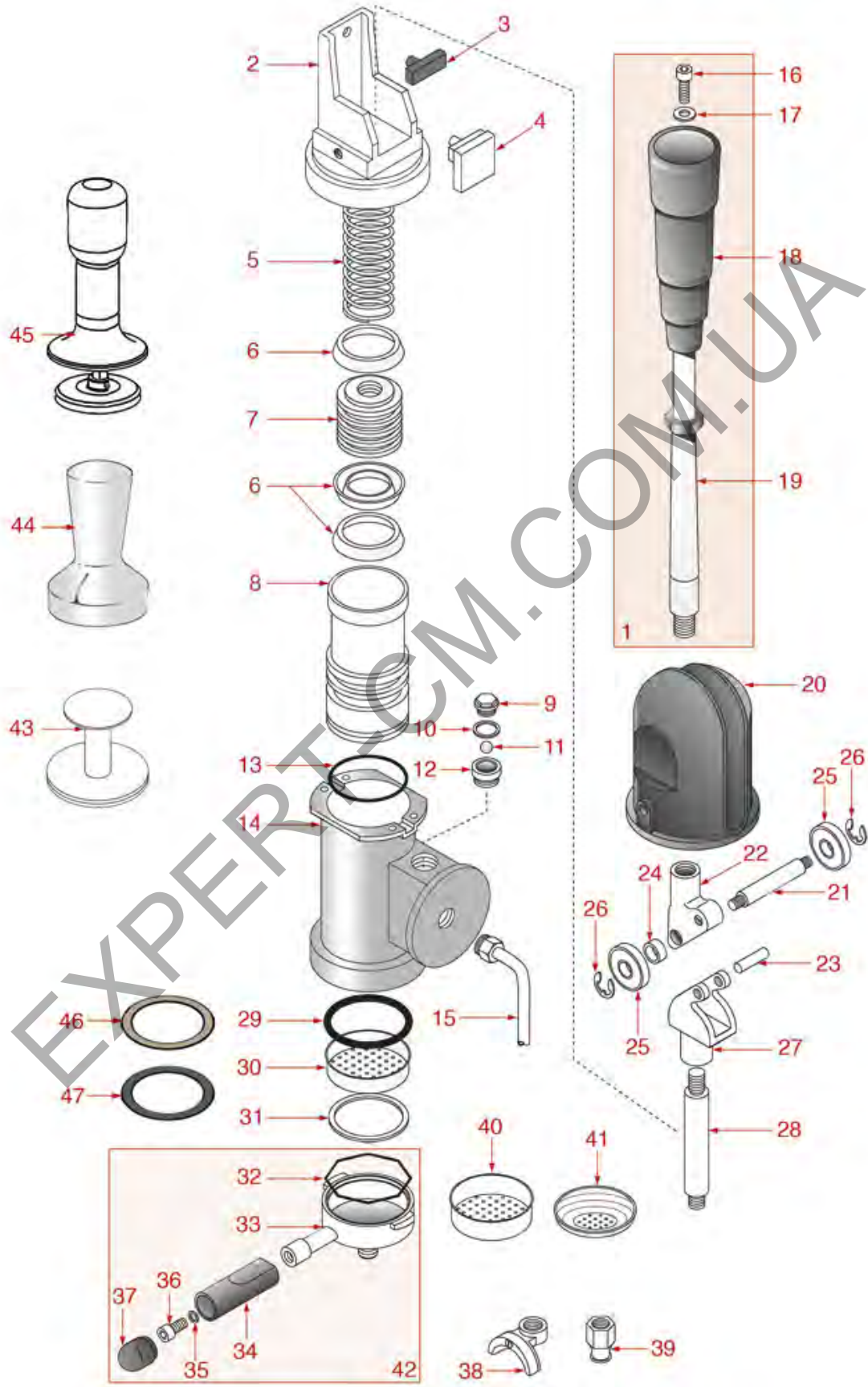
BRASILIA



Position	LF code no.	Description
1	1186611	O-RING 02025 RED SILICONE
1	1186612	O-RING 02025 VITON
2	1439003	CAP ø 18 mm FOR BREW GROUP
3	1186414	O-RING 0119 EPDM
4	1160501	WATER FILTER ø 14x10x12 mm
5	1500530	NOZZLE M5x1 HOLE ø 0.75 mm
6	1449349	DRAIN FITTING ø 1/8"Fx8 mm
7	1120101	3-WAY SOLENOID VALVE PARKER 115V 50/60Hz
7	1120330	3-WAY SOLENOID VALVE LUCIFER 240V 50Hz
7	1120332	COIL LUCIFER/PARKER 220/240V 9W 50Hz
7	1120334	3-WAY MECHANICAL COMPONENT LUCIFER
7	1120335	3-WAY SOLENOID VALVE PARKER 230V 50/60Hz
7	1120339	3-WAY MECHANICAL COMPONENT PARKER
7	3120032	COIL PARKER ZB09 9W 220/240V 50/60Hz
8	1186652	COFFEE GROUP GASKET 77x51x3 mm
9	1184008	HEXAGON HEAD SCREW M8x25
11	1186803	O-RING 02037 EPDM
12	1186654	FILTER HOLDER GASKET ø 70x57x8 mm
13	3160044	O-RING 03187 EPDM
15	1081002	SHOWER SCREEN ø 51.5 mm
16	1528501	COUNTERSUNK HEAD SCREWS WITH SHELLM5x12
17	1250101	FILTER BLOCKING SPRING ø 1,00 mm INOX
19	1022550	SINGLE SPOUT ø 3/8"
20	1022524	DOUBLE SPOUT ø 3/8"
22	1528008	WASHER FLAT M8
23	1186058	COGGED WASHER EXTERNAL M8
24	1184003	LOW CYLINDER HEAD SCREW M8x45
27	1160339	BLIND FILTER
28	1160251	1 CUP FILTER 6 g
29	1160252	2-CUP FILTER 12 GRAMS
30	1069001	PLASTIC MEASURING SPOON 20 ml
31	1385053	ANODISED ALUMINUM TAMPER ø 58 mm
32	1385002	NYLON COFFEE TAMPER ø 50/57 mm
33	1069002	STAINLESS STEEL MEASURING SPOON 20 ml
34	1190051	PAPER SEAL ø 70x57x0.8 mm
35	1190003	RUBBER SHIM ø 70x57x1 mm EPDM
38	1384001	BRUSH FOR COFFEE SHOWER
39	1385600	DYNAMOMETRIC MANUAL COFFEE TAMPER ø 57mm
39	1385602	MANUAL DYNAMOMETRICAL TAMPER ø 57 mm
40	1384002	BRUSH FOR MAINTENANCE
41	1384001	BRUSH FOR COFFEE SHOWER
42	1160335	1 CUP FILTER 7 g
43	1160337	2-CUP FILTER 14 GRAMS



LEVER BREW GROUP





BRASILIA

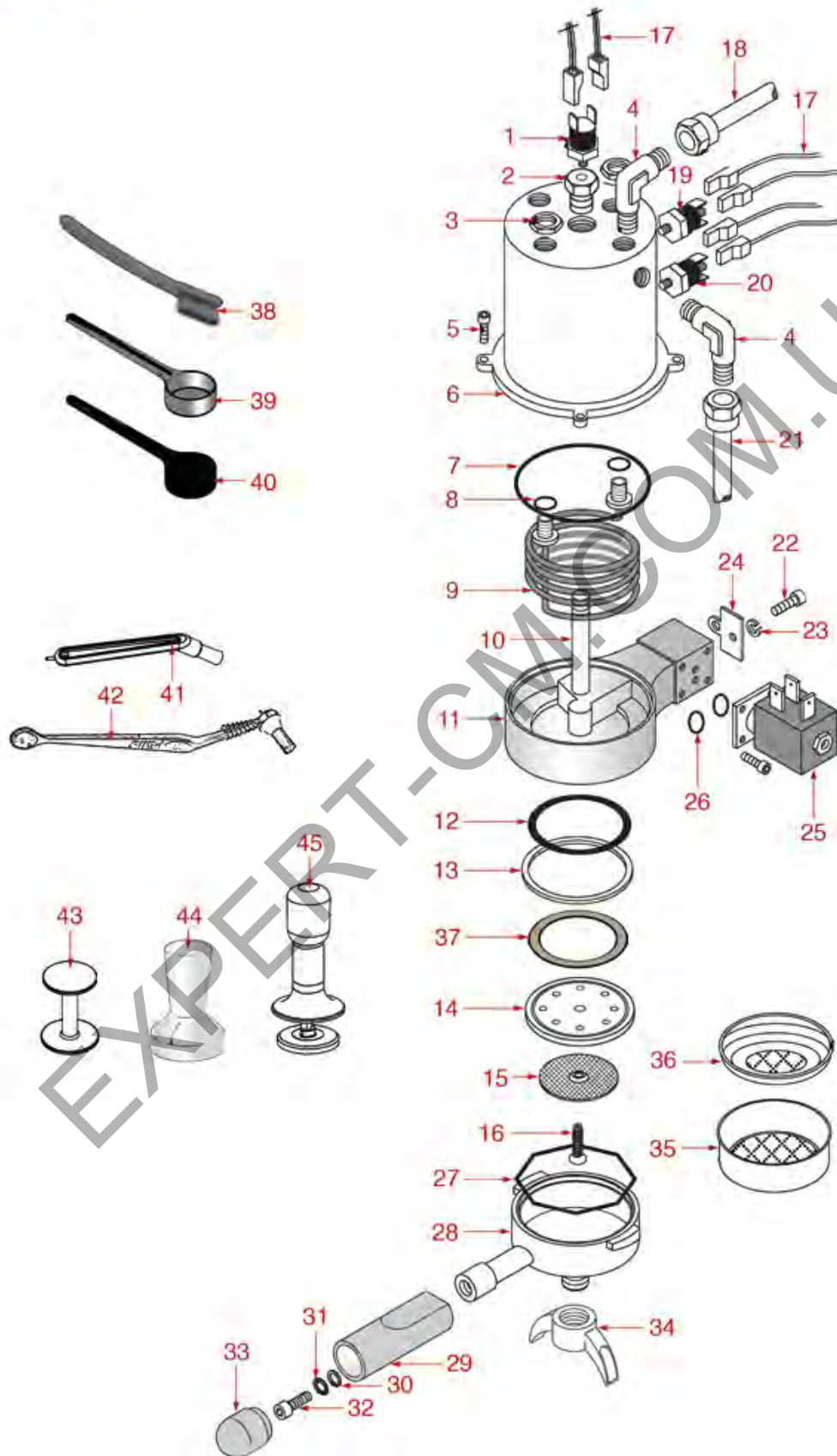


Position	LF code no.	Description
3	1186205	RUBBER SHOCK ABSORBER
4	1186046	RUBBER SHOCK ABSORBER
5	1250501	LEVER GROUP SPRING
6	1186197	LIP SEAL \varnothing 52x40x7 mm
9	1439200	CAP \varnothing 18 mm FOR BREW GROUP
10	1186414	O-RING 0119 EPDM
11	1323200	STAINLESS STEEL BALL \varnothing 12 mm
12	1523404	NON-RETURN VALVE
13	1186199	O-RING 0162 EPDM
16	1528026	CYLINDER HEAD SCREW M8x20
17	1186058	COGGED WASHER EXTERNAL M8
18	1241200	LEVER GROUP HANDLE
19	1225001	COMPLETE LEVER GROUP HANDLE
20	1192200	CAP FOR COFFEE GROUP
21	1324200	PIN FOR BEARING
22	1192202	CHROMIUM-PLATED FORK FOR LEVER GROUP
23	1324053	LEVER GROUP ARTICULATION PIN \varnothing 9x28 mm
25	1063200	BEARING 6300 DDU NSK
26	1348023	RADIAL SEEGER RING \varnothing 9 mm
29	1186198	O-RING 0161 EPDM
30	1081009	SHOWER \varnothing 61 mm
31	1186061	FILTER HOLDER GASKET \varnothing 72.5x57x8 mm
32	1250101	FILTER BLOCKING SPRING \varnothing 1,00 mm INOX
35	1186058	COGGED WASHER EXTERNAL M8
36	1528026	CYLINDER HEAD SCREW M8x20
38	1022502	DOUBLE SPOUT \varnothing 3/8"
39	1022501	SINGLE SPOUT \varnothing 3/8"
39	1022503	STRAIGHT SINGLE SPOUT \varnothing 3/8"
40	1160252	2-CUP FILTER 12 GRAMS
41	1160251	1 CUP FILTER 6 g
43	1385002	NYLON COFFEE TAMPER \varnothing 50/57 mm
44	1385053	ANODISED ALUMINUM TAMPER \varnothing 58 mm
45	1385600	DYNAMOMETRIC MANUAL COFFEE TAMPER \varnothing 57mm
45	1385602	MANUAL DYNAMOMETRICAL TAMPER \varnothing 57 mm
46	1190011	PAPER SEAL \varnothing 72x58x0.8 mm
47	1190002	RUBBER SHIM \varnothing 73x59x1 mm EPDM



BREW GROUP CLUB-LADY

CLUB-LADY





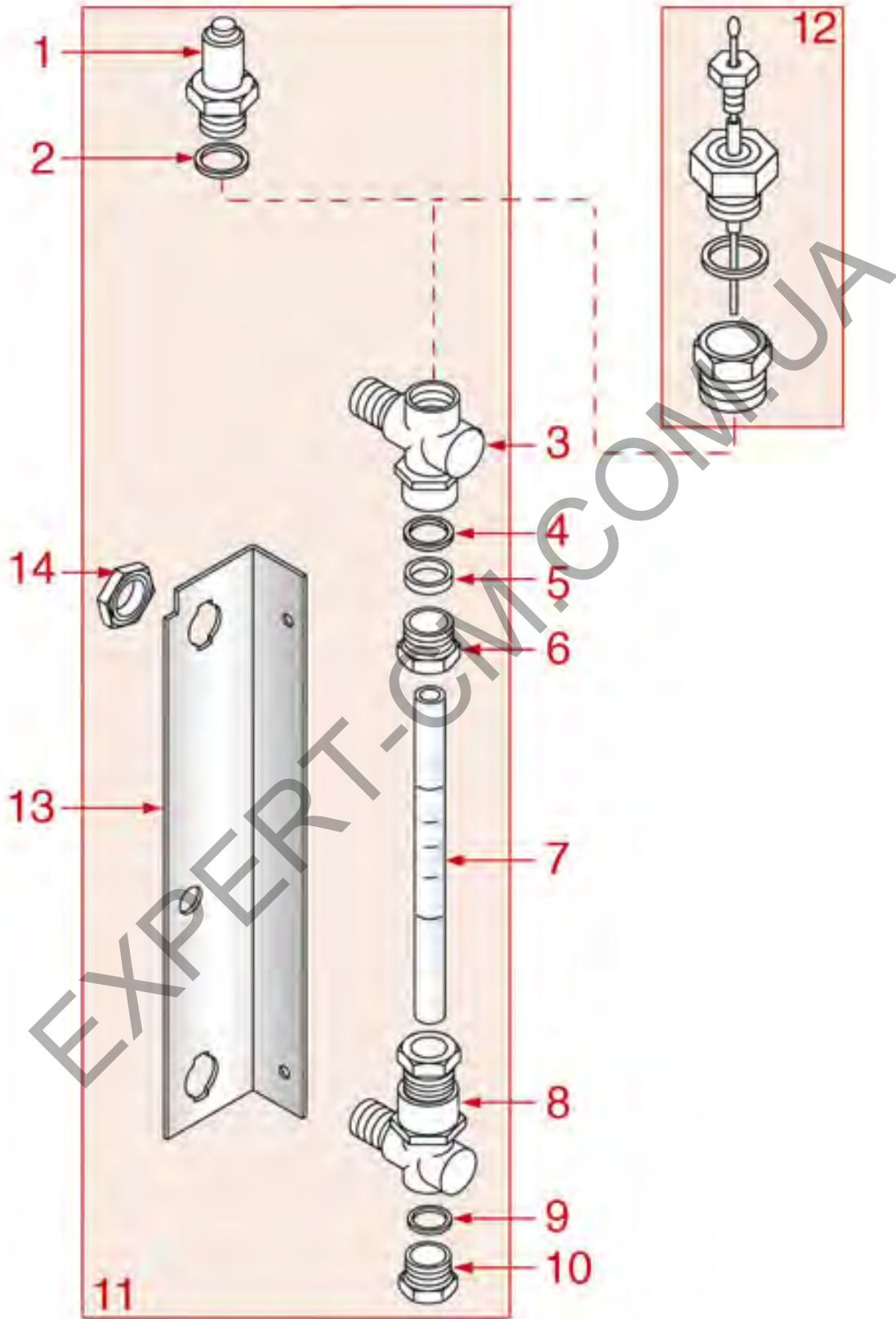
BRASILIA



Position	LF code no.	Description
1	1443005	CONTACT THERMOSTAT 98°C M4
1	1443400	CONTACT THERMOSTAT 107°C M4
1	3443026	CONTACT THERMOSTAT 110°C M4
3	1755006	NUT ø 1/4"
4	1349013	L-FITTING ø 1/8"M-1/8"M NICKEL-PLATED
5	1184006	LOW CYLINDER HEAD SCREW M4x12
7	1186625	GASKET OR 03281 EPDM
8	3060608	O-RING O3050 EPDM
9	1755340	HEATING ELEMENT 1200W 220V
9	1755638	HEATING ELEMENT 1200W 110V
12	3160044	O-RING 03187 EPDM
13	1186063	FILTER HOLDER GASKET ø 64x55x5 mm
15	1081002	SHOWER SCREEN ø 51.5 mm
16	1528501	COUNTERSUNK HEAD SCREWS WITH SHELLM5x12
19	1443004	CONTACT THERMOSTAT 145°C M4
20	1443002	CONTACT THERMOSTAT 165°C M4
24	1186059	COFFEE GROUP GASKET 35x32x1.5 mm
25	1120004	3-WAY SOLENOID VALVE OLAB 230V 50Hz
26	1186611	O-RING 02025 RED SILICONE
26	1186612	O-RING 02025 VITON
27	1250101	FILTER BLOCKING SPRING ø 1,00 mm INOX
30	1528008	WASHER FLAT M8
31	1186058	COGGED WASHER EXTERNAL M8
32	1528026	CYLINDER HEAD SCREW M8x20
34	1022524	DOUBLE SPOUT ø 3/8"
35	1160337	2-CUP FILTER 14 GRAMS
37	1190007	RUBBER PIECE ø 64x53x1 mm EPDM
37	1190101	PAPER SEAL ø 64x53x0.7 mm
38	1384002	BRUSH FOR MAINTENANCE
39	1069002	STAINLESS STEEL MEASURING SPOON 20 ml
40	1069001	PLASTIC MEASURING SPOON 20 ml
41	1384001	BRUSH FOR COFFEE SHOWER
42	1384003	BLACK SHOWER CLEANING BRUSH
43	1385002	NYLON COFFEE TAMPER ø 50/57 mm
44	1385054	ANODISED ALUMINUM TAMPER ø 53 mm
45	1385601	DYNAMOMETRIC MANUAL TAMPER ø 52 mm



LEVEL GROUP



BF0801



BRASILIA

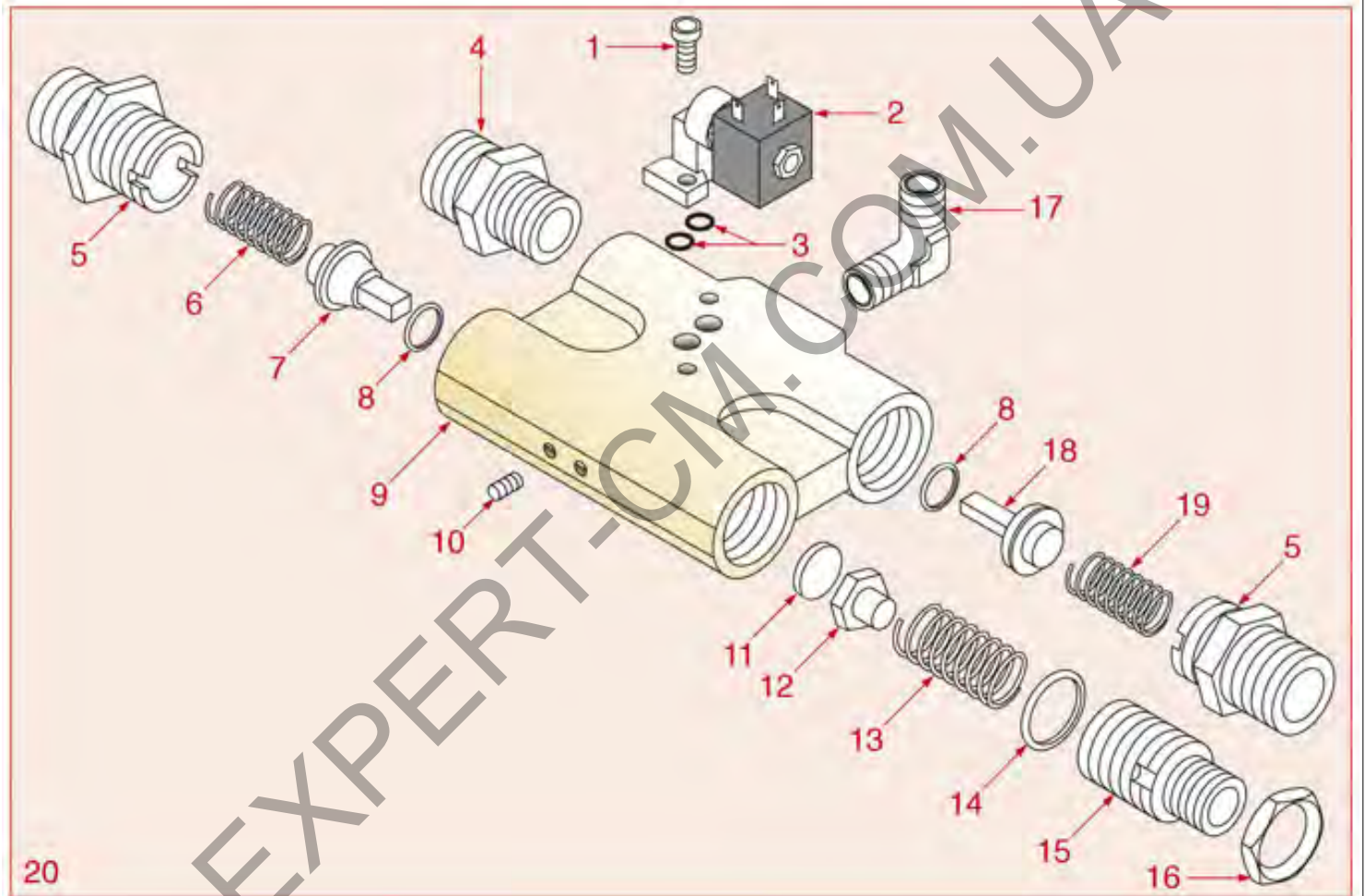


Position	LF code no.	Description
1	1523004	BOILER VALVE \varnothing 1/4"M
2	1186039	ASBESTOS FREE FLAT GASKET \varnothing 17x13x2 mm
3	1349008	LEVEL BODY
4	1186318	O-RING 03043 EPDM
5	1786037	STUFFING GLAND RING \varnothing 15x11.5x3 mm
6	1349070	FITTING \varnothing 3/8"M HOLE \varnothing 12 mm
7	1520522	LEVEL GLASS \varnothing 11x135 mm SILK-SCREEN PRIN
8	1349008	LEVEL BODY
9	1186619	COPPER FLAT GASKET \varnothing 18x14x1.5 mm
10	1439049	LEVEL CAP \varnothing 1/4"M
11	1201001	LEVEL GLASS ASSEMBLY
12	1341001	LEVEL PROBE \varnothing 1/4"M-125 mm

EXPERT-CM.COM.UA



VALVE GROUP MIGNON



BF0901



BRASILIA



Position	LF code no.	Description
2	1120340	2-WAY SOLENOID VALVE OLAB 230V 50Hz
3	1186611	O-RING 02025 RED SILICONE
3	1186612	O-RING 02025 VITON
6	1250201	NON-RETURN VALVE SPRING \varnothing 8x20 mm
7	1523539	SQUARE NON-RETURN VALVE
8	1186411	O-RING 02031 EPDM
11	1186412	BLIND GASKET \varnothing 11x4 mm EPDM
13	1250203	SPRING \varnothing 11x30 mm
14	1186414	O-RING 0119 EPDM
17	1349013	L-FITTING \varnothing 1/8"M-1/8"M NICKEL-PLATED
18	1523401	SQUARE NON-RETURN VALVE
19	1250202	SPRING \varnothing 8x30 mm

EXPERT-CM.COM.UA



BRASILIA

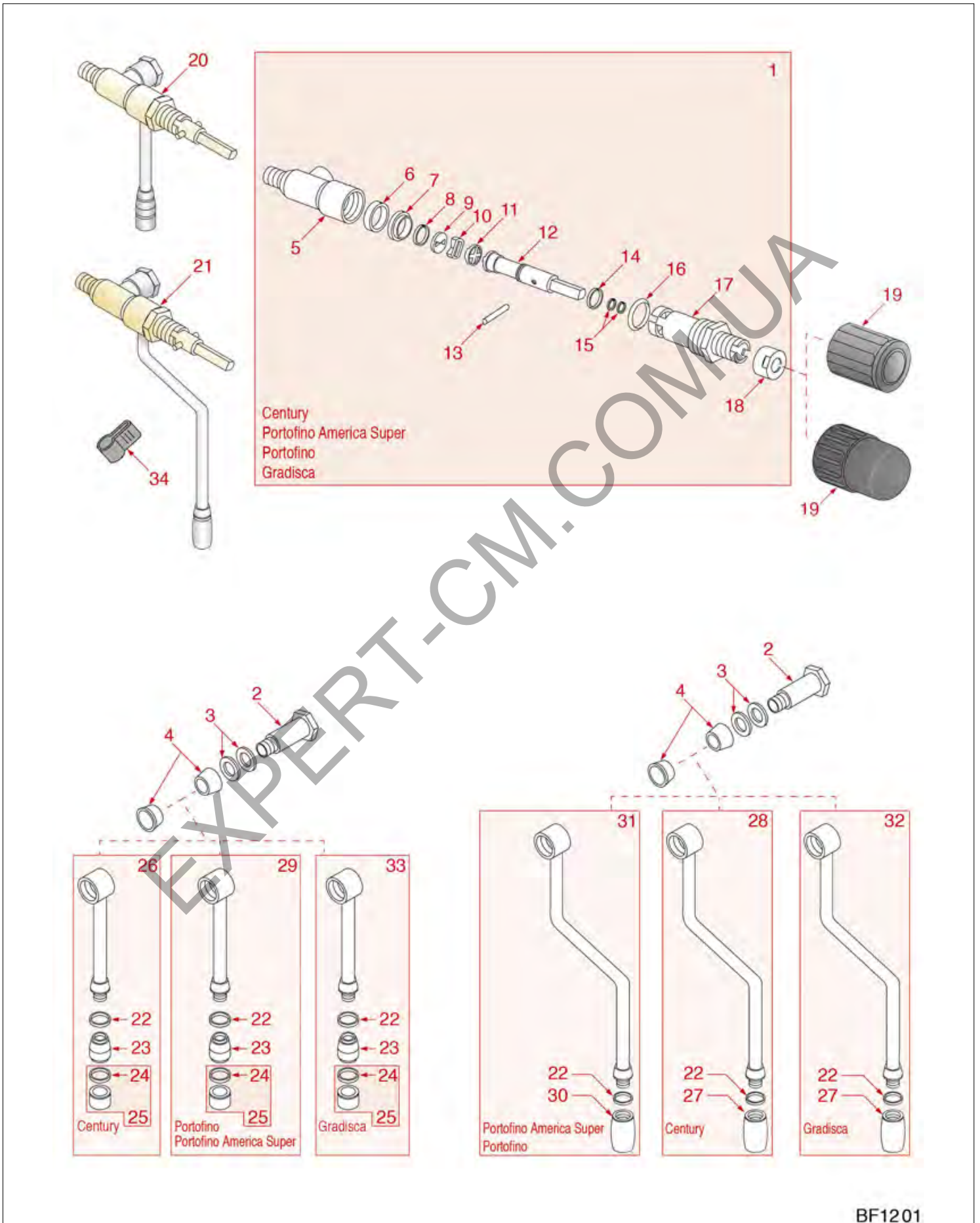


Position	LF code no.	Description
3	1250202	SPRING \varnothing 8x30 mm
4	1523401	SQUARE NON-RETURN VALVE
5	1186422	O-RING 0108 EPDM
7	1120340	2-WAY SOLENOID VALVE OLAB 230V 50Hz
11	1186611	O-RING 02025 RED SILICONE
11	1186612	O-RING 02025 VITON
12	1455034	CYLINDER HEAD SCREW M4x10
13	1186421	O-RING 02018 EPDM
14	1528036	TAP SCREW
16	1250204	TAP ROD SPRING \varnothing 7x33 mm
20	1186223	O-RING 02056 EPDM
22	1186424	O-RING GASKET 02062 EPDM
23	1186423	EPDM FLAT GASKET \varnothing 11x4x4 mm
25	1523539	SQUARE NON-RETURN VALVE
26	3349318	NICHEL-PLATED FITTING \varnothing 1/8"M-1/8"M
29	1186484	ORM GASKET 0140-20 NBR
29	3060608	O-RING O3050 EPDM
30	1250203	SPRING \varnothing 11x30 mm
32	1186412	BLIND GASKET \varnothing 11x4 mm EPDM
33	1186594	FLAT PTFE GASKET \varnothing 20x17x2 mm
43	1186423	EPDM FLAT GASKET \varnothing 11x4x4 mm
44	1349027	GASKET HOLDER FOR TAP
45	1523006	NON-RETURN VALVE
47	1186389	GASKET HOLDER FOR TAP
48	1186129	FLAT EPDM GASKET \varnothing 15/6x10 mm
50	1348033	NUT \varnothing 1/2" KEY 25x4 mm FINE
51	1160011	WATER FILTER \varnothing 9 mm

EXPERT-CM.COM.UA



CERAMIC WATER-STEAM TAP





BRASILIA

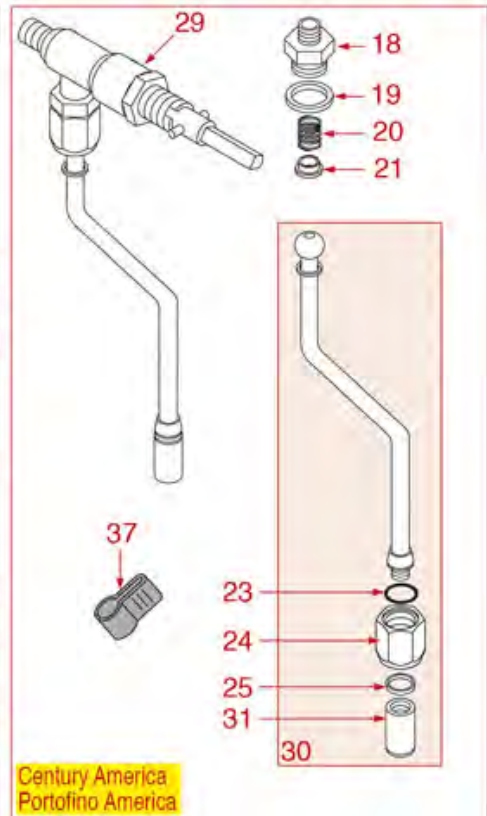
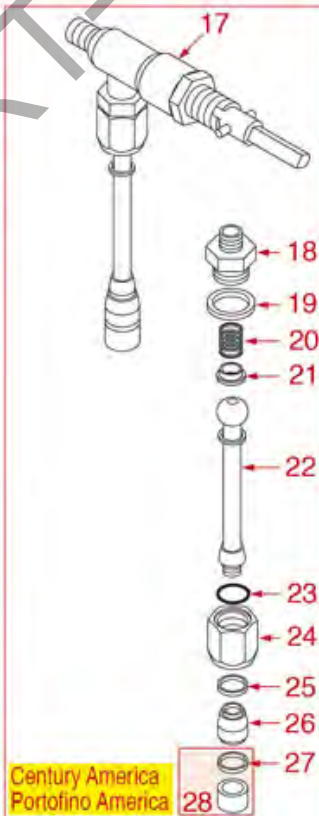
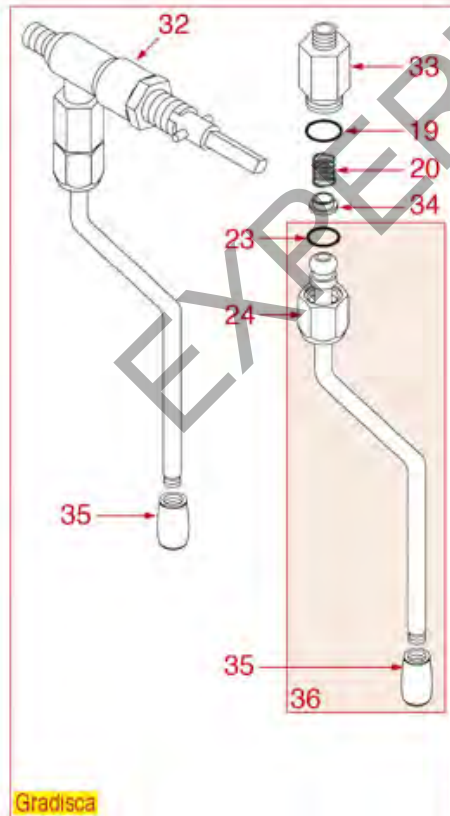
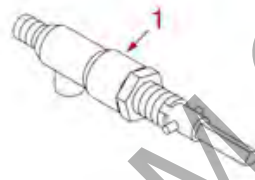
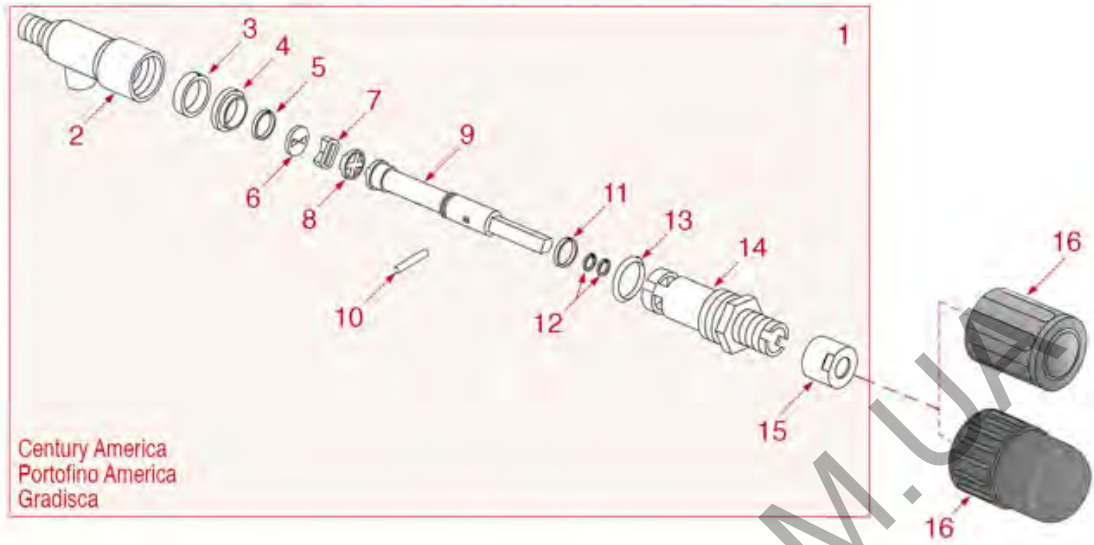


Position	LF code no.	Description
2	1348334	ARTICULATION SCREW
4	1186602	CONICAL PTFE SEAL \varnothing 14.5x10x5 mm
13	1348216	CLASP \varnothing 2x16 mm
14	1186661	FLAT PTFE GASKET \varnothing 13x15.5x1 mm
15	1186611	O-RING 02025 RED SILICONE
16	1186833	O-RING 03100 EPDM
22	1186065	FLAT GASKET \varnothing 12x10x1 mm PTFE
23	1449332	WATER PIPE NOZZLE
24	1186066	FLAT GASKET \varnothing 21x15x3 mm EPDM
25	1449018	WATER PIPE NOZZLE
26	1449343	COMPLETE WATER PIPE
27	1449016	STEAM SPRINKLER \varnothing 1/8" F 4 HOLES
28	1449335	STEAM PIPE COMPLETE
29	1449331	WATER PIPE
30	1449020	STEAM NOZZLE
31	1449335	STEAM PIPE COMPLETE
34	1186080	STEAM PIPE CLIP \varnothing 10 mm

EXPERT-CM.COM.UA



CERAMIC WATER-STEAM TAP





BRASILIA

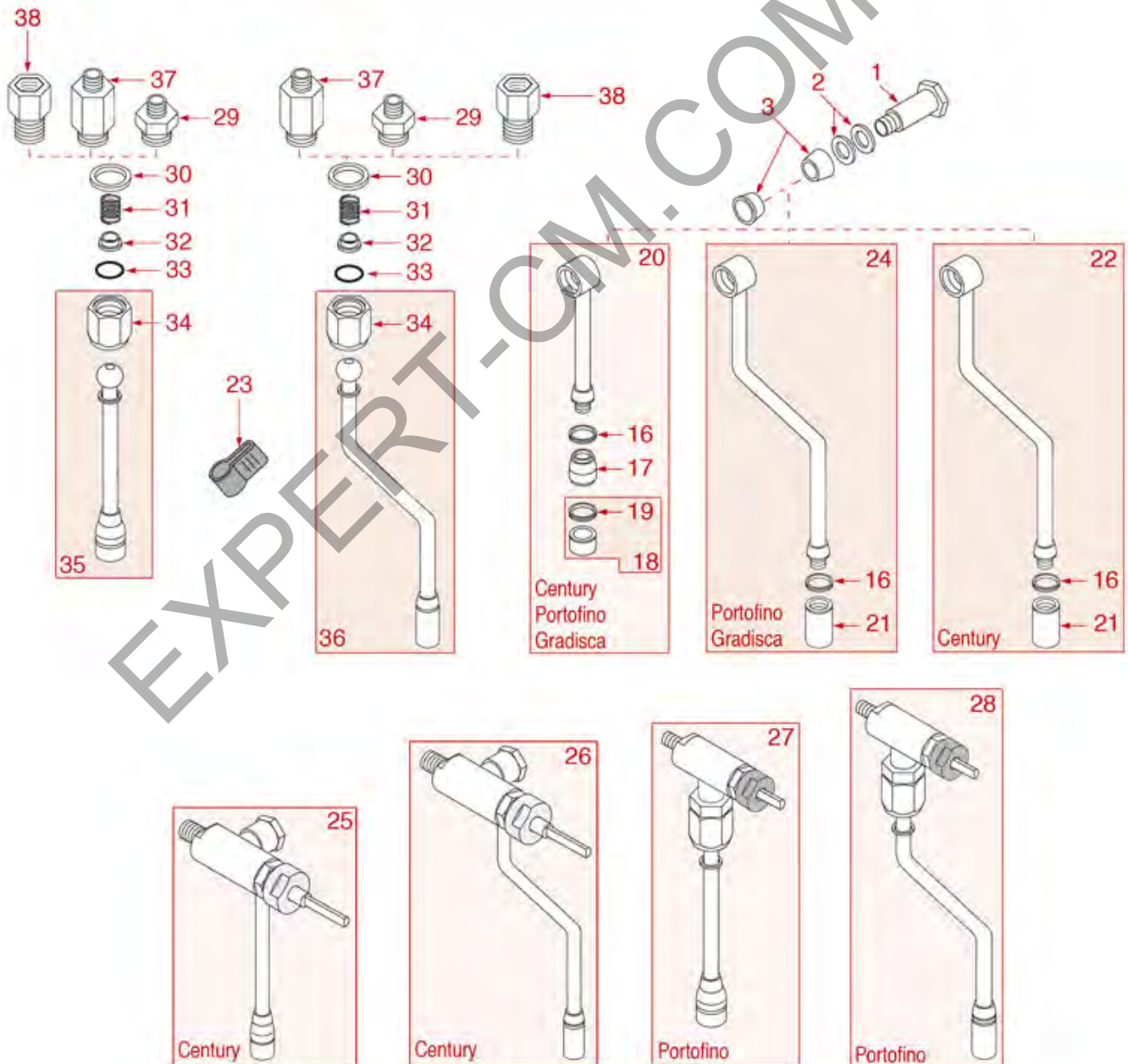
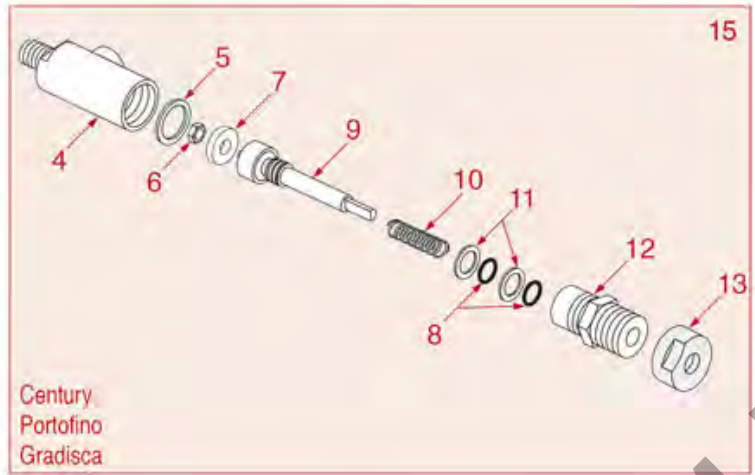


Position	LF code no.	Description
10	1348216	CLASP \varnothing 2x16 mm
11	1186661	FLAT PTFE GASKET \varnothing 13x15.5x1 mm
12	1186611	O-RING 02025 RED SILICONE
13	1186833	O-RING 03100 EPDM
18	3349322	NICHEL-PLATED FITTING \varnothing 1/8"M-3/8"M
19	1186067	ROUND COPPER GASKET \varnothing 23x17x3 mm
19	3186434	O-RING 0121 EPDM
20	1250151	SPRING \varnothing 12x15 mm FOR STEAM PIPE
21	1186670	STEAM PIPE ARTICULATION BUSHING \varnothing 12x5mm
23	3060608	O-RING O3050 EPDM
24	1349064	NUT \varnothing 3/8"F FOR WATER STEAM PIPE
25	1186065	FLAT GASKET \varnothing 12x10x1 mm PTFE
26	1449332	WATER PIPE NOZZLE
27	1186066	FLAT GASKET \varnothing 21x15x3 mm EPDM
28	1449018	WATER PIPE NOZZLE
31	1449020	STEAM NOZZLE
34	1186668	WATER/STEAM PIPE BUSHING \varnothing 12x5 mm
36	1449344	STEAM PIPE COMPLETE
37	1186080	STEAM PIPE CLIP \varnothing 10 mm

EXPERT-CM.COM.UA



WATER-STEAM TAP WITH RUBBER SEAL





BRASILIA

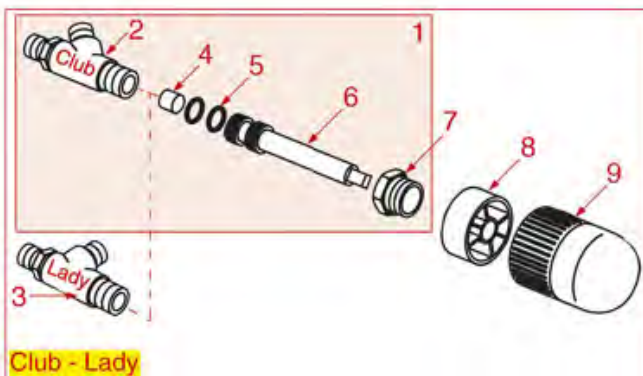
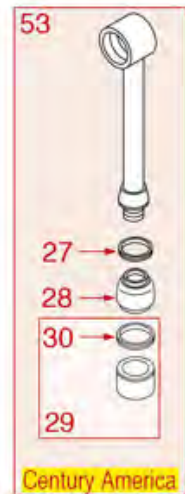
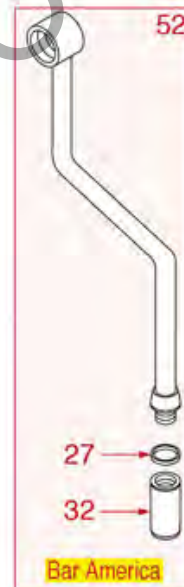
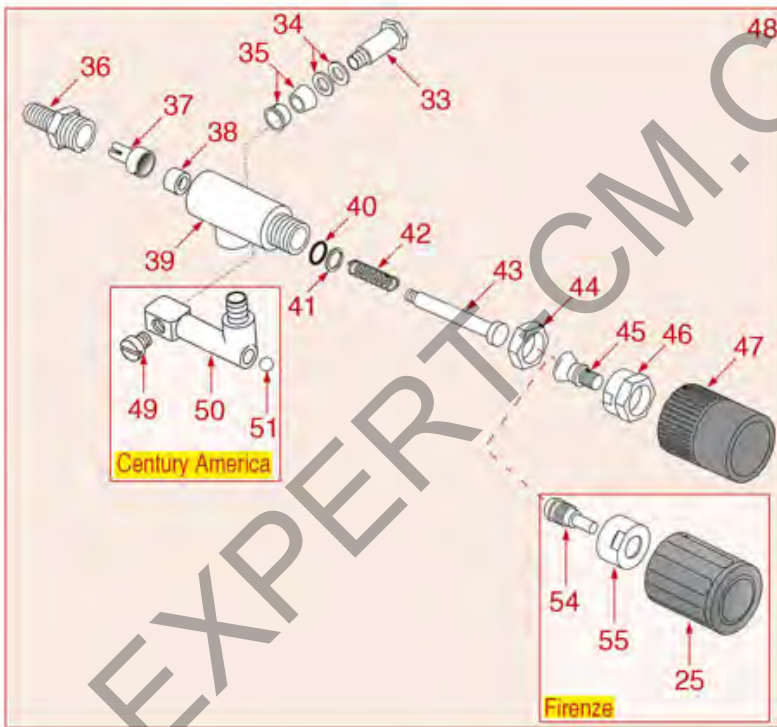
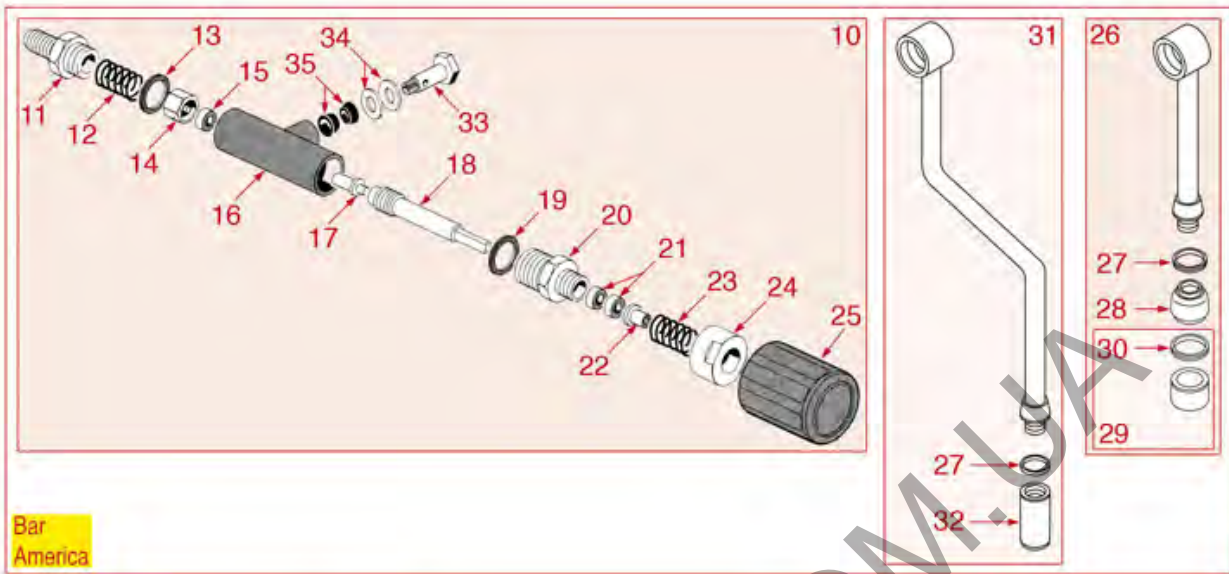


Position	LF code no.	Description
1	1348334	ARTICULATION SCREW
3	1186602	CONICAL PTFE SEAL \varnothing 14.5x10x5 mm
5	1186044	COPPER FLAT GASKET \varnothing 24x20x1 mm
6	1348025	HEXAGONAL NUT M3
7	1186311	NBR FLAT GASKET \varnothing 13x4x4 mm
8	1186556	O-RING R6 EPDM
10	1250074	SPRING \varnothing 10.5x27 mm
15	1348356	RUBBER SEAL TAP 2000
16	1186065	FLAT GASKET \varnothing 12x10x1 mm PTFE
17	1449332	WATER PIPE NOZZLE
18	1449018	WATER PIPE NOZZLE
19	1186066	FLAT GASKET \varnothing 21x15x3 mm EPDM
20	1449331	WATER PIPE
21	1449020	STEAM NOZZLE
23	1186080	STEAM PIPE CLIP \varnothing 10 mm
24	1449335	STEAM PIPE COMPLETE
29	3349322	NICHEL-PLATED FITTING \varnothing 1/8"M-3/8"M
30	1186067	ROUND COPPER GASKET \varnothing 23x17x3 mm
31	1250151	SPRING \varnothing 12x15 mm FOR STEAM PIPE
32	1186670	STEAM PIPE ARTICULATION BUSHING \varnothing 12x5mm
33	3060608	O-RING O3050 EPDM
34	1349064	NUT \varnothing 3/8"F FOR WATER STEAM PIPE
35	1449012	COMPLETE WATER PIPE

EXPERT-CM.COM.UA



TAP CLUB-LADY-BAR-AMERICA





BRASILIA

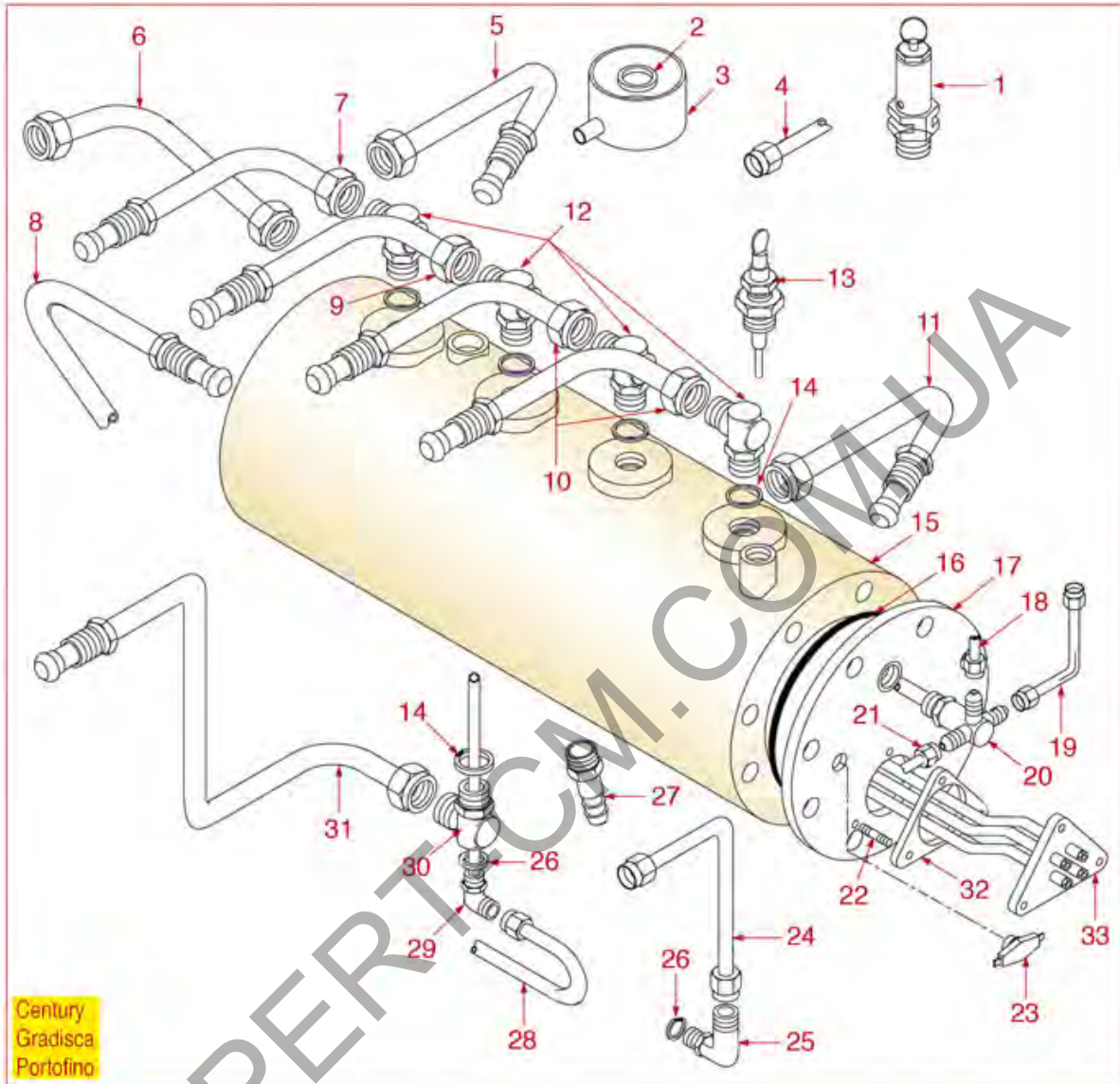


Position	LF code no.	Description
5	1186411	O-RING 02031 EPDM
10	1348330	BAR TAP ASSEMBLY
13	1186117	PTFE FLAT GASKET \varnothing 26x21x2 mm
15	1186161	FLAT EPDM GASKET \varnothing 13x4x4 mm
19	1186117	PTFE FLAT GASKET \varnothing 26x21x2 mm
21	1186057	FLAT EPDM GASKET \varnothing 15.3x7.7x4 mm
23	1250521	SPRING \varnothing 15x17 mm
26	1449331	WATER PIPE
27	1186065	FLAT GASKET \varnothing 12x10x1 mm PTFE
28	1449332	WATER PIPE NOZZLE
29	1449018	WATER PIPE NOZZLE
30	1186066	FLAT GASKET \varnothing 21x15x3 mm EPDM
31	1449335	STEAM PIPE COMPLETE
32	1449020	STEAM NOZZLE
33	1348334	ARTICULATION SCREW
35	1186602	CONICAL PTFE SEAL \varnothing 14.5x10x5 mm
38	1186423	EPDM FLAT GASKET \varnothing 11x4x4 mm
40	1186421	O-RING 02018 EPDM
46	1348344	CHROMIUM-PLATED NUT 3/8
51	1323003	STAINLESS STEEL BALL \varnothing 8 mm
52	1449335	STEAM PIPE COMPLETE
53	1449343	COMPLETE WATER PIPE
54	1348348	WATER/STEAM TAP PIN

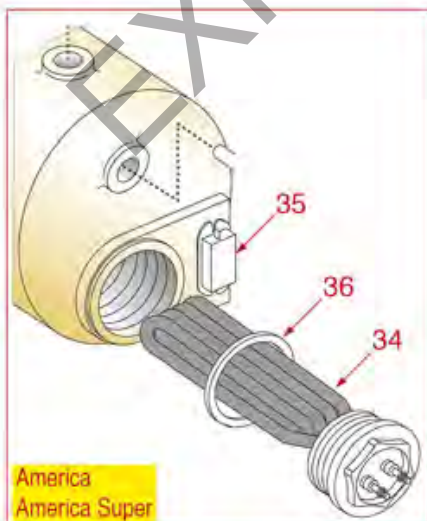
EXPERT-CM.COM.UA



BOILER CENTURY-GRADISCA-PORTOFINO



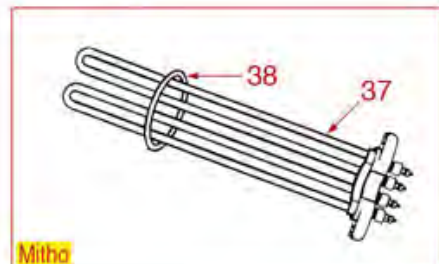
Century
Gradisca
Portofino



America
America Super



Cappuccino



Mitha



BRASILIA

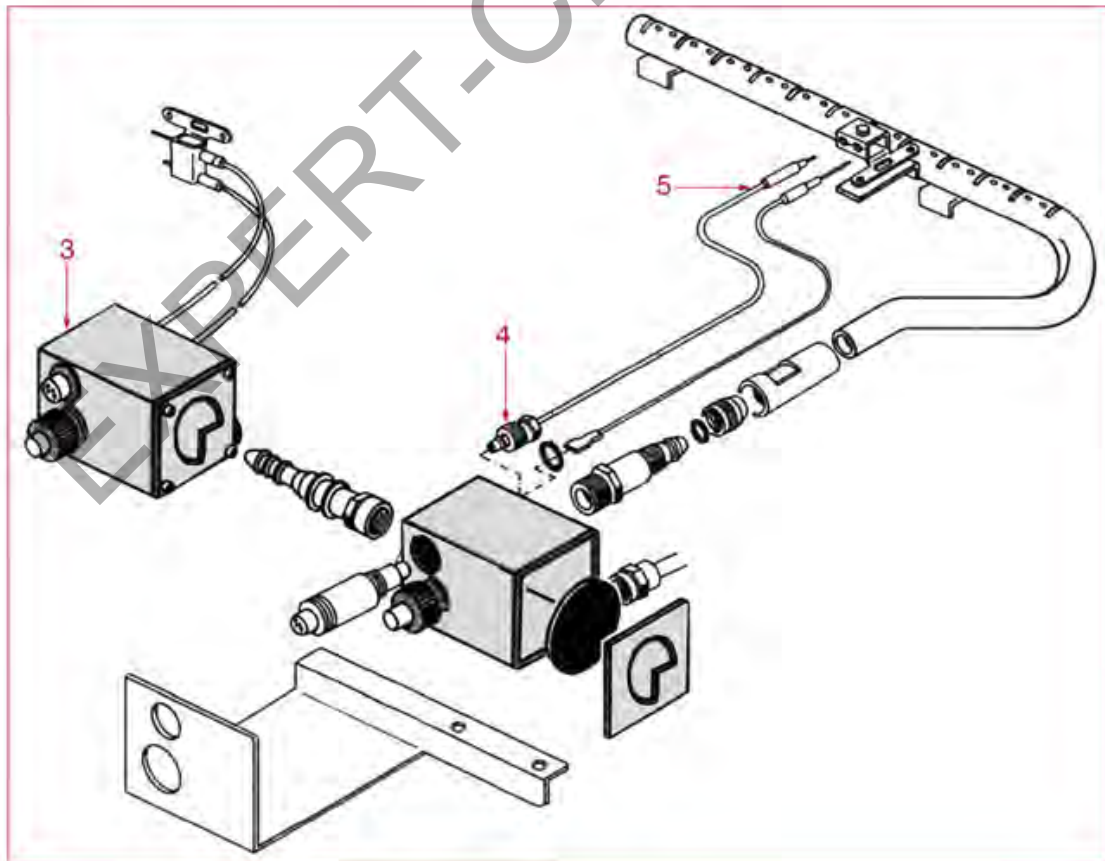
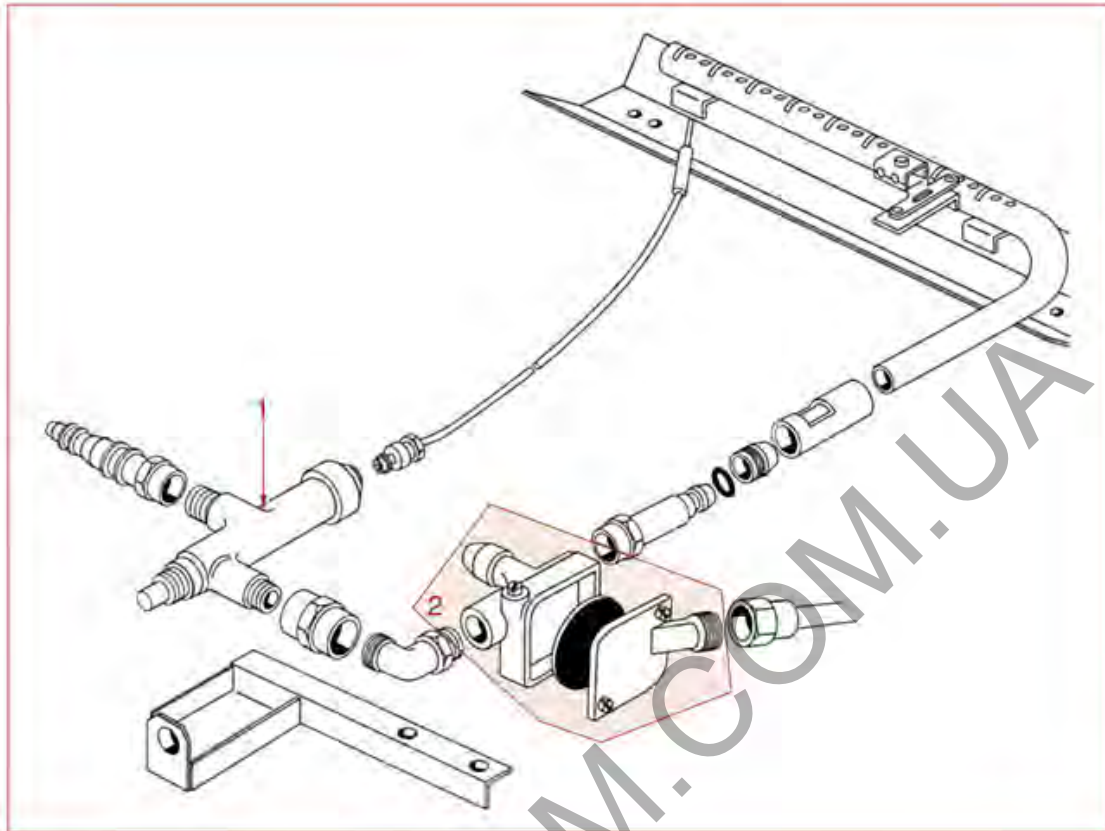


Position	LF code no.	Description
1	1515100	BOILER VALVE \varnothing 3/8"M 1.8bar CE-PED
1	1523003	BOILER VALVE \varnothing 3/8"M - 1.6 bar CE/PED
2	1186067	ROUND COPPER GASKET \varnothing 23x17x3 mm
12	1349014	BOILER FITTING \varnothing 1/2"M-1/2"M
13	1341001	LEVEL PROBE \varnothing 1/4"M-125 mm
14	1186047	ROUND COPPER GASKET \varnothing 28x22x3 mm
16	1186618	BOILER GASKET \varnothing 142x130x3 mm
22	1184009	STAINLESS STEEL M8x25 mm STUD
26	1186048	ROUND COPPER GASKET \varnothing 19x13x2.7 mm
29	1449010	INJECTOR PIPE \varnothing 1/4"M
30	1349278	BOILER FITTING \varnothing 1/2"M-1/2"M-1/4"F
32	1186634	TRIANGULAR GASKET FOR HEATING ELEMENT
33	1755002	HEATING ELEMENT 3500W 230V
33	1755003	HEATING ELEMENT 5000W 230V
33	1755217	HEATING ELEMENT 4500W 230/380V
33	1755330	HEATING ELEMENT 1800W 230V
33	1755331	HEATING ELEMENT 3000W 230V
33	1755332	HEATING ELEMENT 4000W 230V
33	1755333	HEATING ELEMENT 5000W 230V
33	1755337	HEATING ELEMENT 3000W 380V
33	1755338	HEATING ELEMENT 4000W 380V
34	1755134	HEATING ELEMENT 2400W 230V
34	1755336	HEATING ELEMENT 1800W 230V
34	1755633	HEATING ELEMENT 1800W 110V
34	1755634	HEATING ELEMENT 2400W 110V
36	1186623	PTFE FLAT GASKET \varnothing 53x43x3 mm
38	3186606	O-RING 0144 EPDM
39	1755637	HEATING ELEMENT 1400W 110V

EXPERT-CM.COM.UA



GAS SYSTEM





BRASILIA

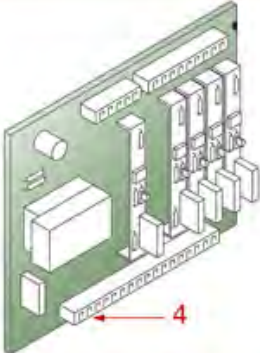
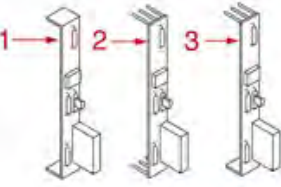
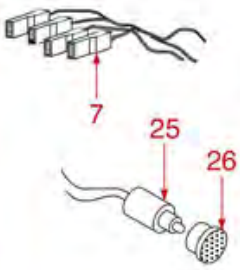
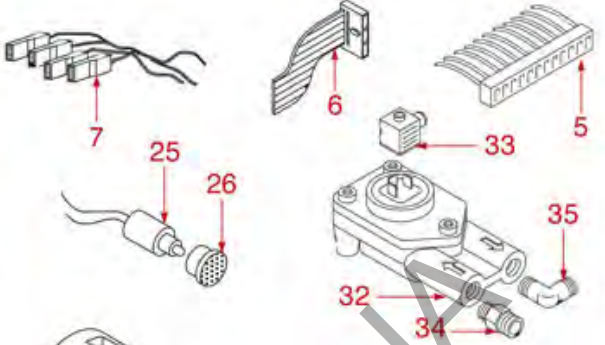
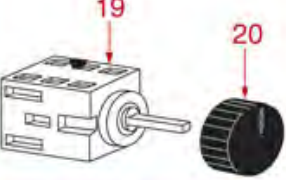
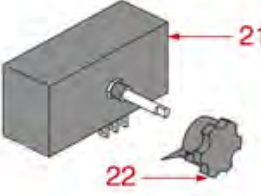
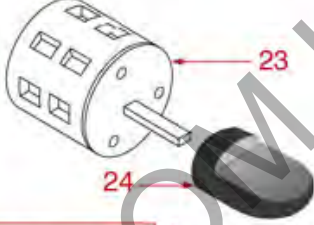
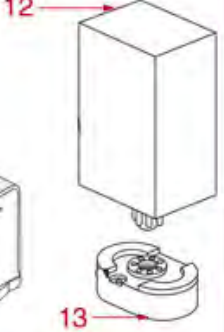
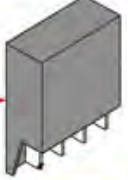
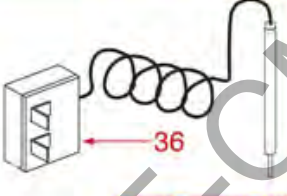













Position	LF code no.	Description
1	3523002	VALVE M1 \varnothing 1/4"MM
1	3523006	NUT M12x1 FOR M1 VALVE
1	3523007	RING NUT M12x1 FOR M1 VALVE
1	3523052	VALVE M1 \varnothing 3/8"MM
4	3440011	SLOTTED FITTING M9x1
5	3440027	THERMOCOUPLE SIT M8x1 32 cm
5	3440028	THERMOCOUPLE SIT M8x1 60 cm
5	3440053	THERMOCOUPLE SIT M8x1 60 cm THREAD M8x1

EXPERT-CM.COM.UA



ELECTRICAL PARTS



BRASILIA





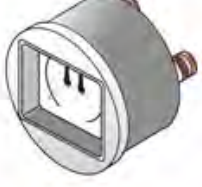


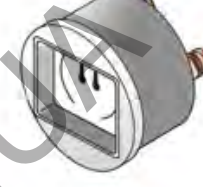


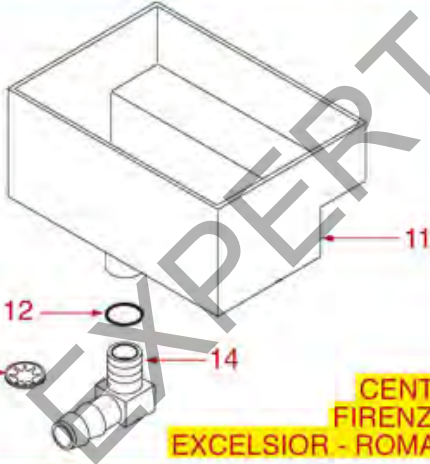
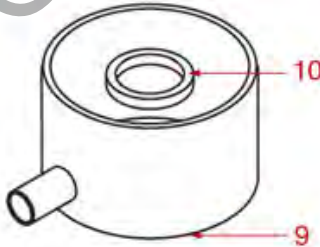
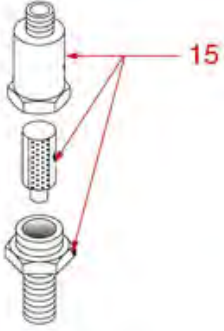




Position	LF code no.	Description
4	1054542	DOSER CONTROL BOX 2 GROUPS BAR 230V
12	1054539	LEVEL REGULATOR NRL30/1E-2C/8 230V
13	3351154	BASE OCTAL ES8 10A 400V
14	1054538	LEVEL REGULATOR 230V
16	1054537	DOSER CONTROL BOX 2 GROUPS 230V
18	1320531	PRESSURE SWITCH P302/6 3-POLES 30A
18	1320533	MEMBRANE KIT FOR PRESSURE SWITCH
18	1320541	PRESSURE SWITCH PARKER
19	1319531	SELECTOR SWITCH 0-2 POSITIONS 16A 600V
20	1319464	ORANGE BIPOLAR SWITCH 16A 250V
21	1057531	SELECTOR SWITCH 0-5 POSITIONS
23	1319012	SELECTOR SWITCH 0-2 POSITIONS 20A 690V
24	1241542	KNOB SELECTOR SWITCH BLACK \varnothing 33 mm
26	1221509	GREEN LAMP CAP
26	1221510	ORANGE LAMP CAP
27	1319464	ORANGE BIPOLAR SWITCH 16A 250V
28	1319464	ORANGE BIPOLAR SWITCH 16A 250V
29	1319614	RED BIPOLAR PUSH BUTTTON 16A 250V
29	1319619	RED BIPOLAR PUSH BUTTTON 16A 250V
29	3319948	RED BIPOLAR SWITCH 16A 250V
31	1319611	RED BIPOLAR SWITCH 16A 250V
31	1319612	RED BIPOLAR SWITCH 16A 250V
32	1455068	VOLUMETRIC FLOWMETER GICAR
33	1455033	CONNECTOR FEMALE SMALL
34	3349318	NICHEL-PLATED FITTING \varnothing 1/8"M-1/8"M
35	1349013	L-FITTING \varnothing 1/8"M-1/8"M NICKEL-PLATED
37	1054529	LEVEL REGULATOR SMA 220V

EXPERT-CM.COM.UA



PRESSURE GAUGES AND TANKS

<p>1</p>  <p>CENTURY</p>	<p>2</p>  <p>GRADISCA - BAR</p>	<p>3</p>  <p>PORTOFINO</p>	<p>4</p>  <p>PORTOFINO 100 - 205 - 210</p>
<p>5</p>  <p>CLASSICA - 105 - 205</p>	<p>6</p>  <p>BELLE EPOQUE</p>	<p>7</p>  <p>CAPPUCCINO</p>	<p>8</p>  <p>FIRENZE</p>
<p>18</p>  <p>CADETTA-ROMA</p>	<p>19</p>  <p>EXCELSIOR</p>		
 <p>CENTURY - GRADISCA - PORTOFINO FIRENZE - BELLE EPOQUE - CLASSICA EXCELSIOR - ROMA - STUDIO - 100 - 105 - 205 - 210</p>		 <p>9, 10</p>	 <p>15</p>
<p>16</p>  <p>CAPPUCCINO - ROBOCAF - ROBOSTAR</p>	<p>17</p>  <p>CENTURY - PORTOFINO - GRADISCA</p>		



BRASILIA



Position	LF code no.	Description
1	1245009	BOILER-PUMP PRESSURE GAUGE ø 63 mm
1	1245532	BOILER-PUMP PRESSURE GAUGE ø 63 mm
2	1245009	BOILER-PUMP PRESSURE GAUGE ø 63 mm
3	1245535	BOILER-PUMP PRESSURE GAUGE ø 63 mm
8	1245532	BOILER-PUMP PRESSURE GAUGE ø 63 mm
10	1186067	ROUND COPPER GASKET ø 23x17x3 mm
12	1186352	O-RING 02050 EPDM
15	1160700	COUPLING WITH FILTER ø 3/8" M - 3/8" M
16	1079001	COMPLETE SMALL CAPPUCCINATORE WHITE
17	1079002	STANDARD NYLON CAPPUCCINATORE

EXPERT-CM.COM.UA