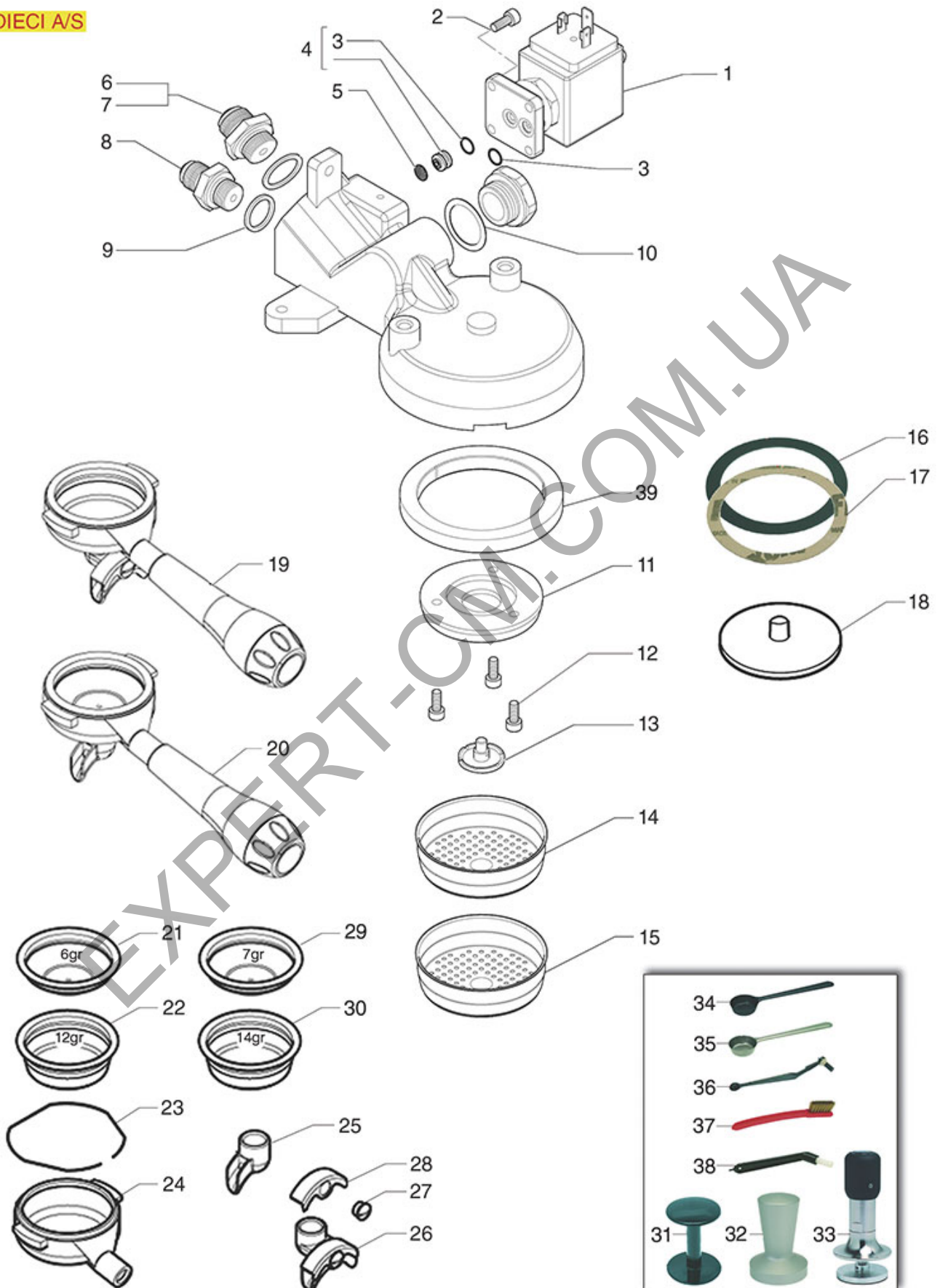




DIECI COFFEE GROUP

DIECI A/S



CSCA01

Positions without LF code no.: upon request



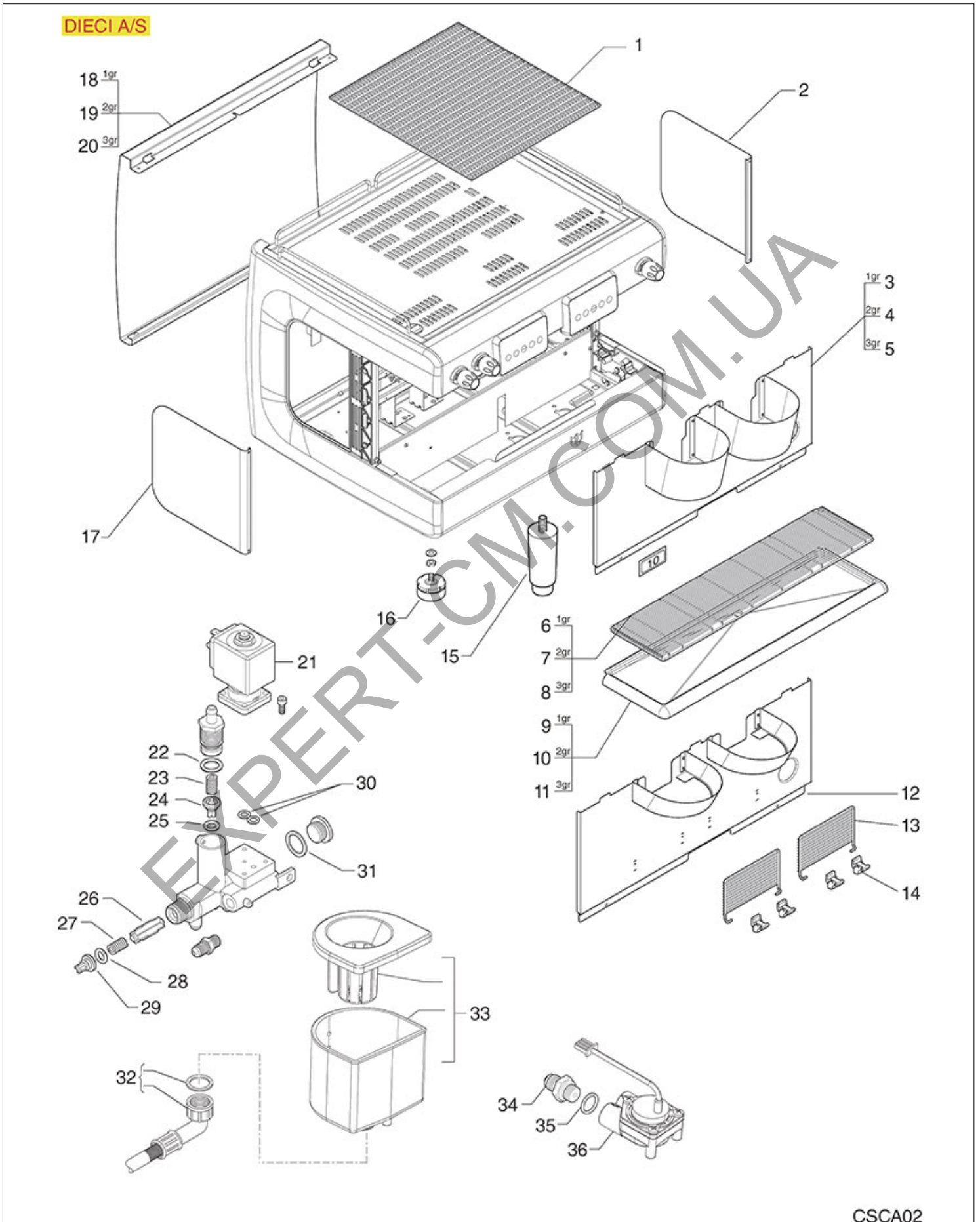
CASADIO



Position	LF code no.	Description
1	1120330	3-WAY SOLENOID VALVE LUCIFER 240V 50Hz
2	1455034	CYLINDER HEAD SCREW M4x10
3	1186966	GASKET ORM 0057-19 VITON GREEN
5	1160011	WATER FILTER ø 9 mm
9	1186619	COPPER FLAT GASKET ø 18x14x1.5 mm
10	1186248	PTFE FLAT GASKET ø 27x20x1 mm
11	1086003	SHOWER HOLDER DIFFUSER
12	1455034	CYLINDER HEAD SCREW M4x10
13	1510004	ASSEMBLY SPRINKLER ø 21 mm M5x1
14	1081016	SHOWER SCREEN ø 60 mm
15	1081116	SHOWER SCREEN ø 60 mm
15	1081216	SHOWER SCREEN ø 60 mm
15	1081516	SHOWER ø 60 mm
16	1190002	RUBBER SHIM ø 73x59x1 mm EPDM
17	1190001	PAPER SHIM ø 73x59x0.8 mm
18	1160293	MEMBRANE BLIND FILTER
19	1165097	COMPLETE FILTER HOLDER 2 CUPS CASADIO
20	1165096	COMPLETE FILTER HOLDER 1 CUP CASADIO
21	1160251	1 CUP FILTER 6 g
22	1160252	2-CUP FILTER 12 GRAMS
23	1250101	FILTER BLOCKING SPRING ø 1,00 mm INOX
24	1165065	FILTER HOLDER CIMBALI/FAEMA
24	1165142	FILTER HOLDER COFFEE MACH. FAEMA/CIMBALI
25	1022100	SINGLE SPOUT M16
26	1022521	LONG DOUBLE SPOUT ø 3/8"
27	1160559	CHROME PLATED SCREW FOR SPOUT
29	1160335	1 CUP FILTER 7 g
30	1160337	2-CUP FILTER 14 GRAMS
31	1385000	NYLON TAMPER ø 50/52 mm
31	1385002	NYLON COFFEE TAMPER ø 50/57 mm
32	1385053	ANODISED ALUMINUM TAMPER ø 58 mm
32	1385054	ANODISED ALUMINUM TAMPER ø 53 mm
33	1385600	DYNAMOMETRIC MANUAL COFFEE TAMPER ø 57mm
33	1385601	DYNAMOMETRIC MANUAL TAMPER ø 52 mm
34	1069001	PLASTIC MEASURING SPOON 20 ml
35	1069002	STAINLESS STEEL MEASURING SPOON 20 ml
36	1384003	BLACK SHOWER CLEANING BRUSH
37	1384002	BRUSH FOR MAINTENANCE
38	1384001	BRUSH FOR COFFEE SHOWER
39	1186721	FILTER HOLDER GASKET ø 74x57.5x8 mm
39	5028118	GASKET FILTER HOLDER ø 74x58x8 mm



DIECI BODIES AND HYDRAULIC SYSTEM



CSCA02

Positions without LF code no.: upon request



CASADIO



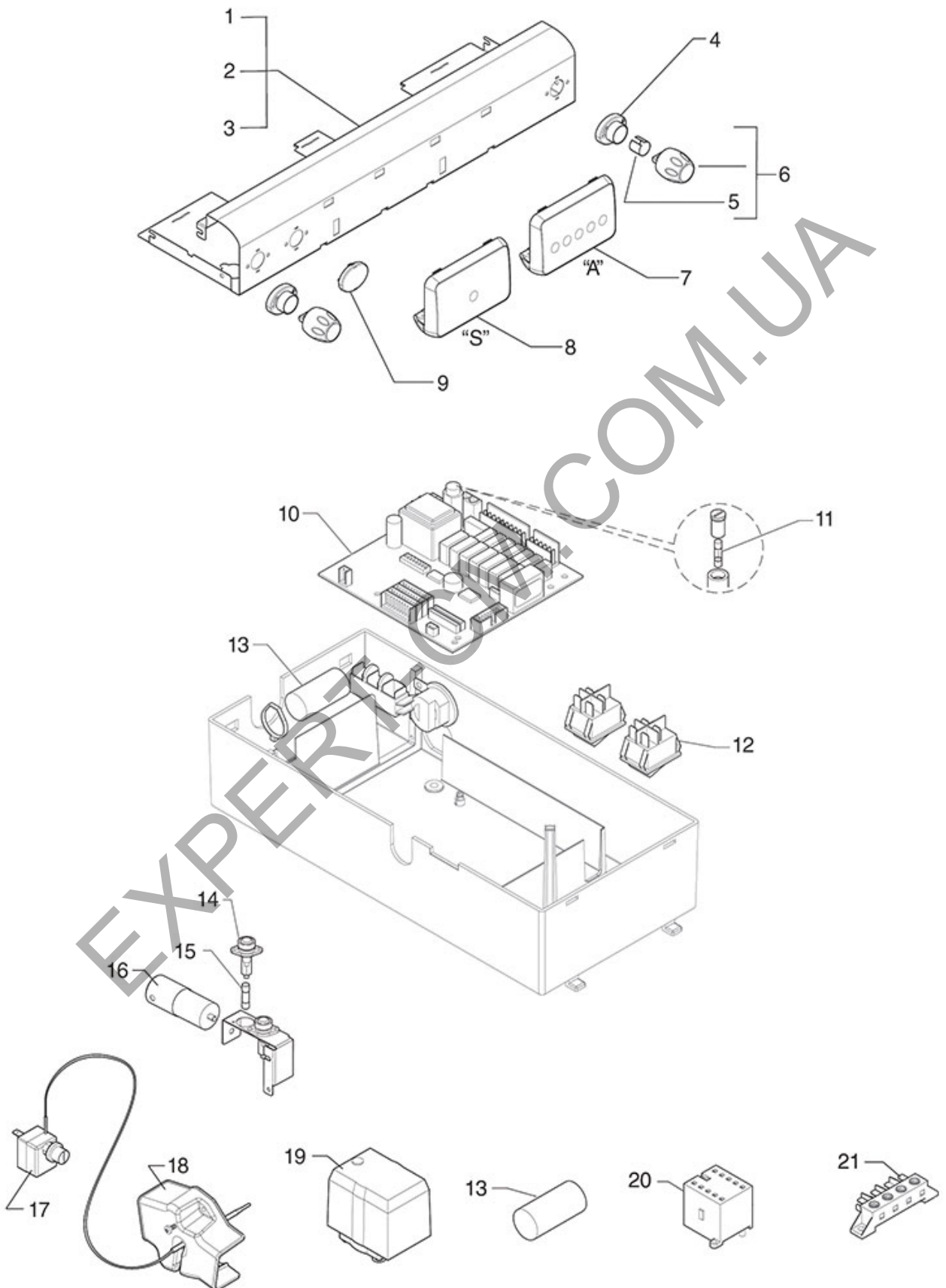
Position	LF code no.	Description
1	1185029	CUP WARMING GRID
7	1185030	ST.STEEL CUP GRID 2 GROUPS
16	1313016	FOOT \varnothing 60 mm M10 H=30÷40 mm
21	1120192	2-WAY SOLENOID VALVE LUCIFER 220/240V
22	3060608	O-RING O3050 EPDM
24	1523066	CHECK VALVE
25	1786197	O-RING 03030 GREEN VITON
28	1786197	O-RING 03030 GREEN VITON
29	1523066	CHECK VALVE
30	1186966	GASKET ORM 0057-19 VITON GREEN
31	1186957	FLAT GASKET PTFE \varnothing 22x17x1,5 mm
32	1449876	DRAIN PIPE \varnothing 3/4" F 1500 mm
33	1527037	DRAIN TANK
35	1186950	O-RING 02043 VITON GREEN
36	1455058	VOLUMETRIC FLOWMETER GICAR

EXPERT-CM.COM.UA



DIECI ELECTRICAL COMPONENTS

DIECI A/S



CSCA03



CASADIO



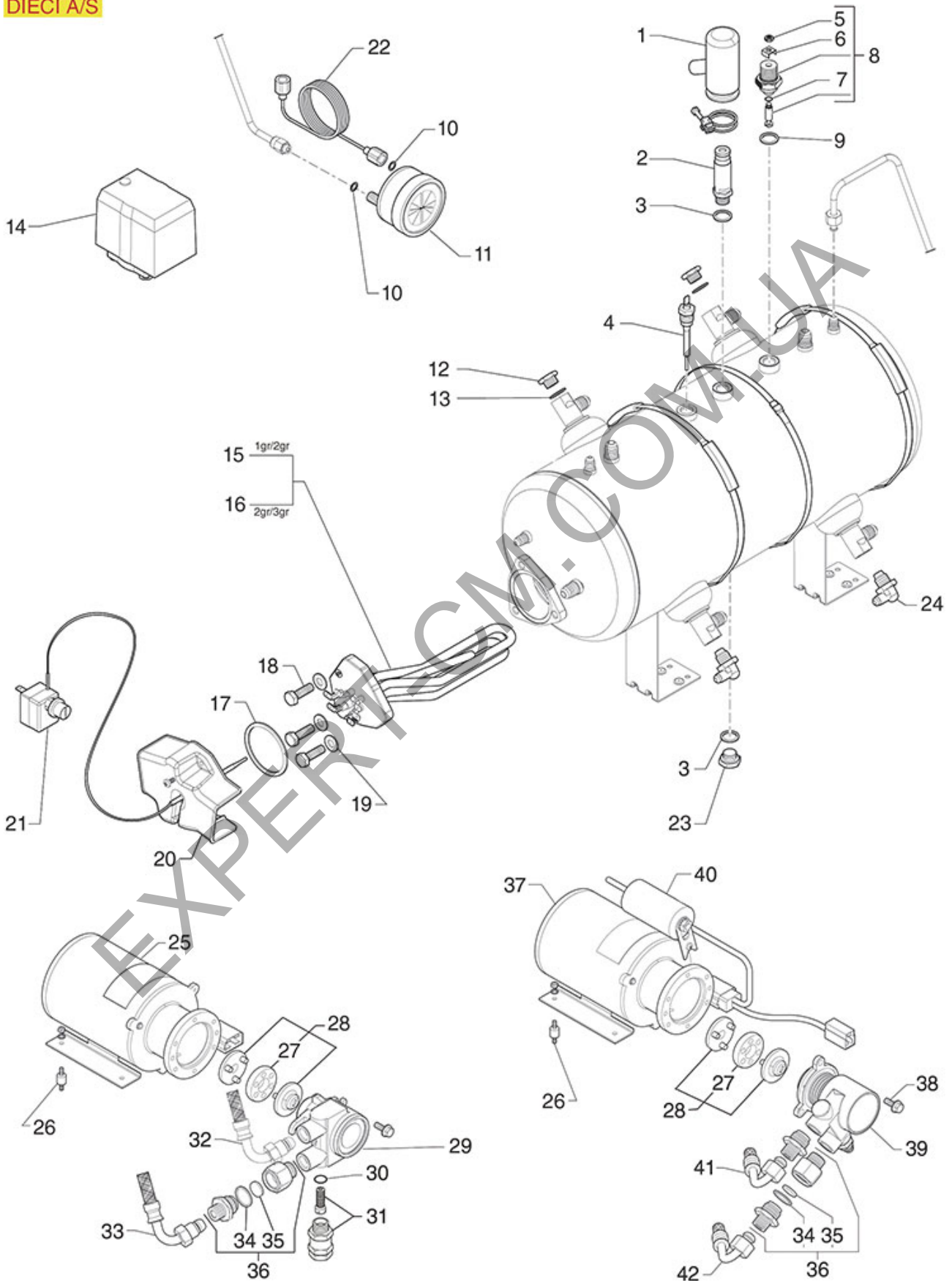
Position	LF code no.	Description
5	1241561	ELASTIC RING FOR KNOB
6	1241167	WATER/STEAM TAP KNOB
7	1319434	PUSH-BUTTON PANEL 5 BUTTONS
8	1319435	PUSH-BUTTON PANEL 1 BUTTON
11	3049052	QUICK ACTING FUSE \varnothing 5x20 mm - 10 PCS
12	1319202	SWITCH 2-POLE GREEN 16A 250V
16	3068016	CAPACITOR μ F 10 450V 50/60Hz
17	5047881	SINGLE-PHASE THERMOSTAT 170°C
19	1320803	PRESSURE SWITCH P303T02 3-POLES 20A 1/4"
20	1454001	CONTACTOR ALLEN-BRADLEY K09 20A 400V
21	3247037	4-POLE TERMINAL BLOCK FV173 40A 600V

EXPERT-CM.COM.UA



DIECI BOILER AND MOTORS

DIECI A/S



CSCA04

Positions without LF code no.: upon request



CASADIO



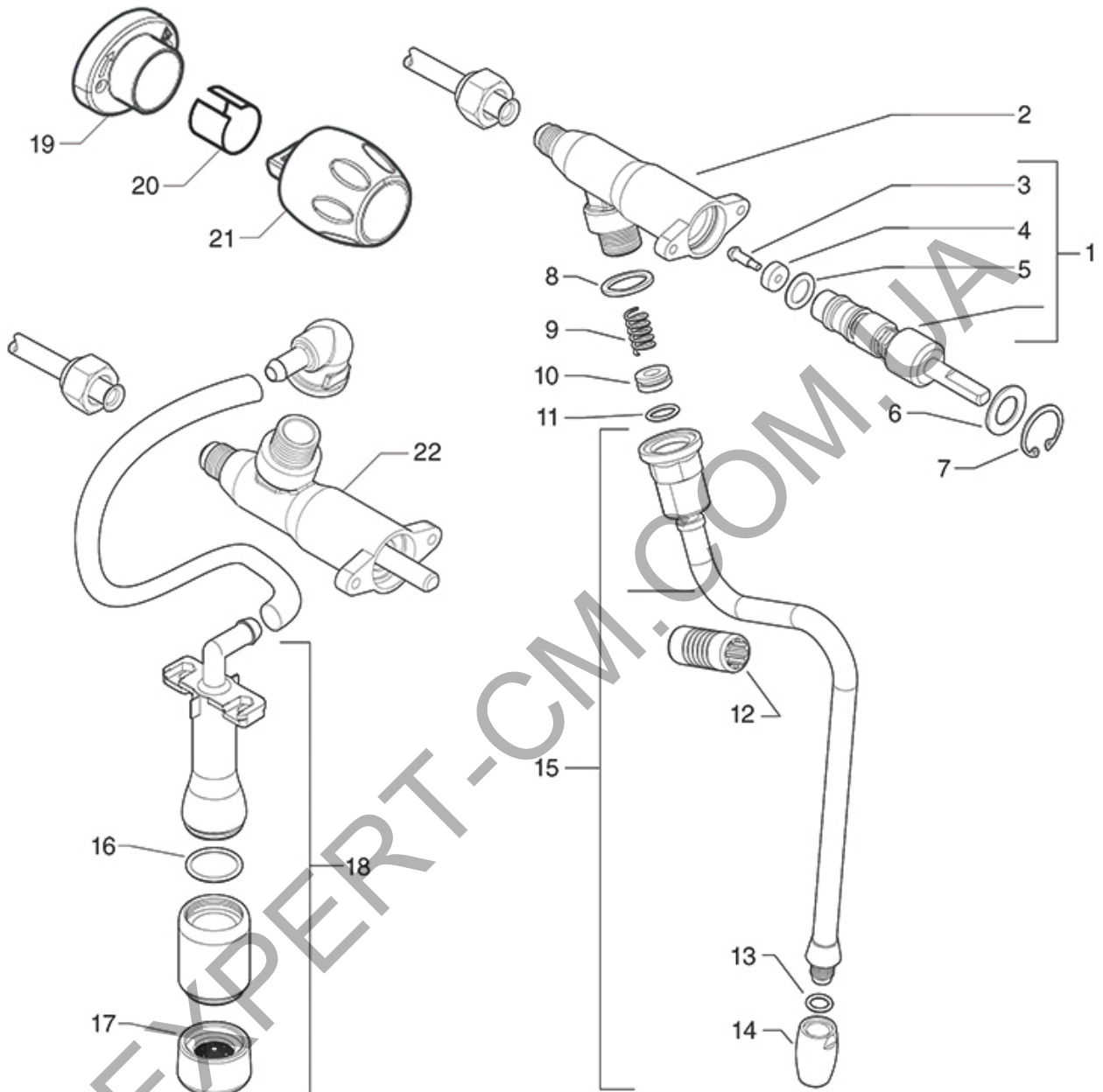
Position	LF code no.	Description
2	1515004	BOILER VALVE \varnothing 1/4"M - 2.0 bar CE/PED
3	1786166	PTFE FLAT GASKET \varnothing 18x14x1.5 mm
4	1341038	LEVEL PROBE \varnothing 1/4"M-89 mm
5	1348813	HEXAGONAL NUT M4 MEDIUM
7	1186362	"O" RING 02021 EPDM
8	1523538	BOILER VALVE \varnothing 1/4"M
9	1786166	PTFE FLAT GASKET \varnothing 18x14x1.5 mm
10	1186974	FLAT PTFE GASKET \varnothing 8.5x4.5x1.5 mm
11	1245047	BOILER-PUMP PRESSURE GAUGE \varnothing 62 mm
13	1186619	COPPER FLAT GASKET \varnothing 18x14x1.5 mm
14	1320803	PRESSURE SWITCH P303T02 3-POLES 20A 1/4"
15	1755236	HEATING ELEMENT 2700W 220V
16	1755235	HEATING ELEMENT 5400/6430W 220/400V
17	1186607	FLAT CARBO GASKET \varnothing 57.8x50x3 mm
18	1184008	HEXAGON HEAD SCREW M8x25
21	5047881	SINGLE-PHASE THERMOSTAT 170°C
25	1240295	MOTOR SMA WITH FLANGE 150W UL
27	1191002	RUBBER COUPLING \varnothing 41.5 mm
28	1191003	COMPLETE METAL COUPLING
29	1330018	ROTARY VANE PUMP CIMBALI/FAEMA \varnothing 3/8"
29	1330031	ROTARY VANE PUMP ROTOFLOW \varnothing 3/8"
29	1330033	ROTARY VANE PUMP PROCON \varnothing 3/8"
29	1330200	ROTARY VANE PUMP NUERT \varnothing 3/8" GAS
34	1186969	FLAT GASKET PTFE \varnothing 25x21x1,5 mm
35	1160068	WATER FILTER \varnothing 18 mm
36	1160700	COUPLING WITH FILTER \varnothing 3/8"M - 3/8"M
37	1240296	MOTOR SMA WITH FLANGE 150W
38	3528112	HEXAGONAL HEAD SCREW M6x16
39	1330017	ROTARY VANE PUMP PROCON \varnothing 3/8"
40	3068016	CAPACITOR μ F 10 450V 50/60Hz

EXPERT-CM.COM.UA



DIECI WATER/STEAM TAP

DIECI A/S



 0+100°C 50	 0+100°C 51	 INOX 18/10 103	---	100	 INOX 18/10 206	0,20L 2 cups	200	 INOX 18/10 306	---	300	 INOX 18/10 406	0,25L 2 cups	400
			---	101		0,30L 3 cups	201		---	301		0,35L 3 cups	401
			---	102		0,45L 4 cups	202		---	302		0,50L 4 cups	402
			0,60L 6 cups	103		0,60L 6 cups	203	0,60L 6 cups	303			0,75L 6 cups	403
			0,70L 9 cups	104		0,70L 9 cups	204	1,00L 10 cups	304			1,00L 10 cups	404
			1,10L 12 cups	105		1,10L 12 cups	205	1,50L 12 cups	305			1,50L 13 cups	405
			---	106		---	206	2,00L 15 cups	306			---	406



CASADIO

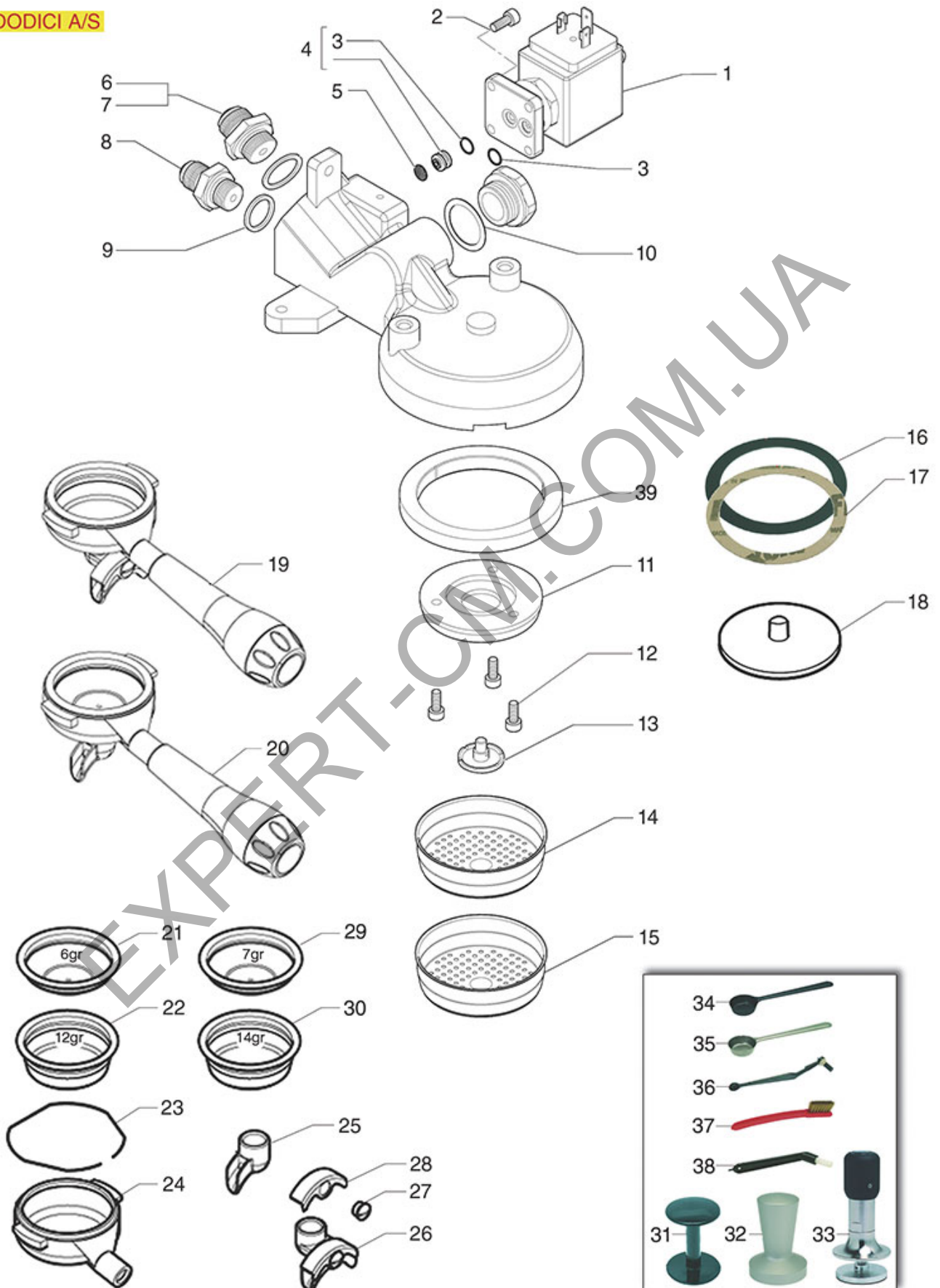


Position	LF code no.	Description
1	1348111	TAP SPINDLE
3	1184019	SCREW PIN FOR WATER/STEAM TAP
4	1186927	FLAT GASKET VITON \varnothing 12x4x4 mm
5	1186236	O-RING 03043 VITON
6	1186299	WASHER \varnothing 21x16x1 mm
7	1348029	SEEGER RING J-19
8	1186957	FLAT GASKET PTFE \varnothing 22x17x1,5 mm
9	1250226	TAP PIPE SPRING \varnothing 11x24 mm
10	1186344	CONICAL PTFE SEAL \varnothing 14.5x7x6 mm
11	1186346	O-RING 02043 EPDM
12	1186924	BURN PREVENTING PIPE HANDGRIP \varnothing 10 mm
13	1186411	O-RING 02031 EPDM
14	1549012	STAINLESS STEEL STEAM SPRINKLER \varnothing 1/8"F
15	1549005	ST. STEEL COMPLETE STEAM PIPE \varnothing 10 mm
16	1786165	O-RING 02068 GREEN VITON
18	1449209	COMPLETE WATER PIPE
20	1241561	ELASTIC RING FOR KNOB
21	1241167	WATER/STEAM TAP KNOB
50	1394553	ANALOGICAL THERMOMETER \varnothing 25 mm
51	1394554	ANALOG THERMOMETER \varnothing 45 mm
103	1024051	SERVING COFFEE POT PRATIKA 0.60 L
104	1024052	SERVING COFFEE POT PRATIKA 0.70 L
105	1024053	SERVING COFFEE POT PRATIKA 1.10 L
200	1024001	MILK PITCHER PRATIKA 0.20 L
201	1024002	MILK PITCHER PRATIKA 0.30 L
202	1024003	MILK PITCHER PRATIKA 0.45 L
203	1024004	MILK PITCHER PRATIKA 0.60 L
204	1024005	MILK PITCHER PRATIKA 0.70 L
205	1024006	MILK PITCHER PRATIKA 1.10 L
302	1224901	MILK JUG 0.35 L
303	1224902	MILK JUG 0.60 L
304	1224903	MILK JUG 1 L
305	1224904	MILK JUG 1.5 L
400	1224014	MILK PITCHER EUROPA WITH SPOUT 0.25 L
401	1224015	MILK PITCHER EUROPA WITH SPOUT 0.35 L
402	1224010	MILK PITCHER EUROPA WITH SPOUT 0.50 L
403	1224011	MILK PITCHER EUROPA WITH SPOUT 0.75 L
404	1224012	MILK PITCHER EUROPA WITH SPOUT 1 L
405	1224013	MILK PITCHER EUROPA WITH SPOUT 1.5 L



DODICI COFFEE GROUP

DODICI A/S



CSCA10

Positions without LF code no.: upon request



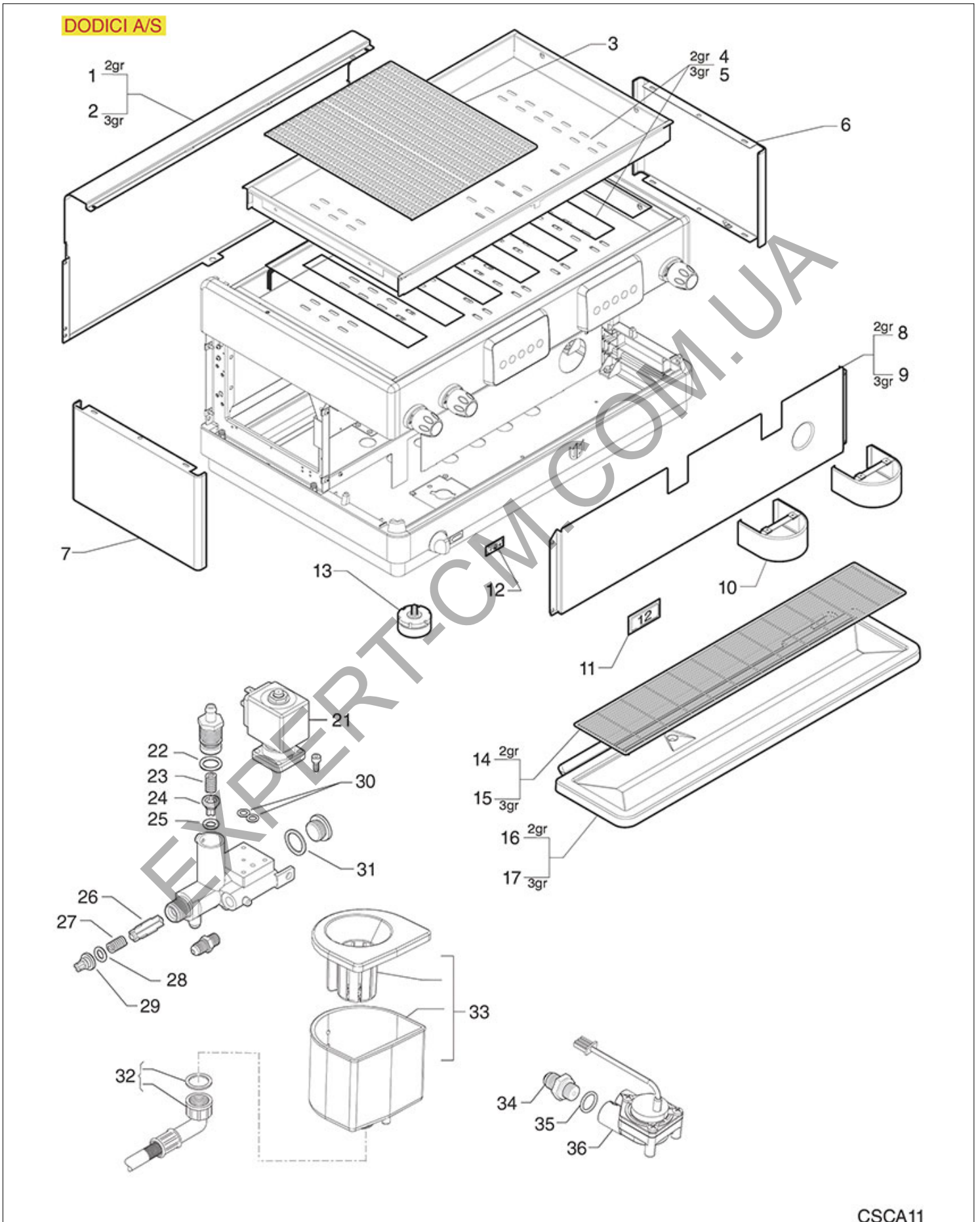
CASADIO



Position	LF code no.	Description
1	1120330	3-WAY SOLENOID VALVE LUCIFER 240V 50Hz
2	1455034	CYLINDER HEAD SCREW M4x10
3	1186966	GASKET ORM 0057-19 VITON GREEN
5	1160011	WATER FILTER ø 9 mm
9	1186619	COPPER FLAT GASKET ø 18x14x1.5 mm
10	1186248	PTFE FLAT GASKET ø 27x20x1 mm
11	1086003	SHOWER HOLDER DIFFUSER
12	1455034	CYLINDER HEAD SCREW M4x10
13	1510004	ASSEMBLY SPRINKLER ø 21 mm M5x1
14	1081016	SHOWER SCREEN ø 60 mm
15	1081116	SHOWER SCREEN ø 60 mm
15	1081216	SHOWER SCREEN ø 60 mm
15	1081516	SHOWER ø 60 mm
16	1190002	RUBBER SHIM ø 73x59x1 mm EPDM
17	1190001	PAPER SHIM ø 73x59x0.8 mm
18	1160293	MEMBRANE BLIND FILTER
19	1165097	COMPLETE FILTER HOLDER 2 CUPS CASADIO
20	1165096	COMPLETE FILTER HOLDER 1 CUP CASADIO
21	1160251	1 CUP FILTER 6 g
22	1160252	2-CUP FILTER 12 GRAMS
23	1250101	FILTER BLOCKING SPRING ø 1,00 mm INOX
24	1165065	FILTER HOLDER CIMBALI/FAEMA
24	1165142	FILTER HOLDER COFFEE MACH. FAEMA/CIMBALI
25	1022100	SINGLE SPOUT M16
26	1022521	LONG DOUBLE SPOUT ø 3/8"
27	1160559	CHROME PLATED SCREW FOR SPOUT
29	1160335	1 CUP FILTER 7 g
30	1160337	2-CUP FILTER 14 GRAMS
31	1385000	NYLON TAMPER ø 50/52 mm
31	1385002	NYLON COFFEE TAMPER ø 50/57 mm
32	1385053	ANODISED ALUMINUM TAMPER ø 58 mm
32	1385054	ANODISED ALUMINUM TAMPER ø 53 mm
33	1385600	DYNAMOMETRIC MANUAL COFFEE TAMPER ø 57mm
33	1385601	DYNAMOMETRIC MANUAL TAMPER ø 52 mm
34	1069001	PLASTIC MEASURING SPOON 20 ml
35	1069002	STAINLESS STEEL MEASURING SPOON 20 ml
36	1384003	BLACK SHOWER CLEANING BRUSH
37	1384002	BRUSH FOR MAINTENANCE
38	1384001	BRUSH FOR COFFEE SHOWER
39	1186721	FILTER HOLDER GASKET ø 74x57.5x8 mm
39	5028118	GASKET FILTER HOLDER ø 74x58x8 mm



DODICI BODIES AND HYDRAULIC SYSTEM





CASADIO



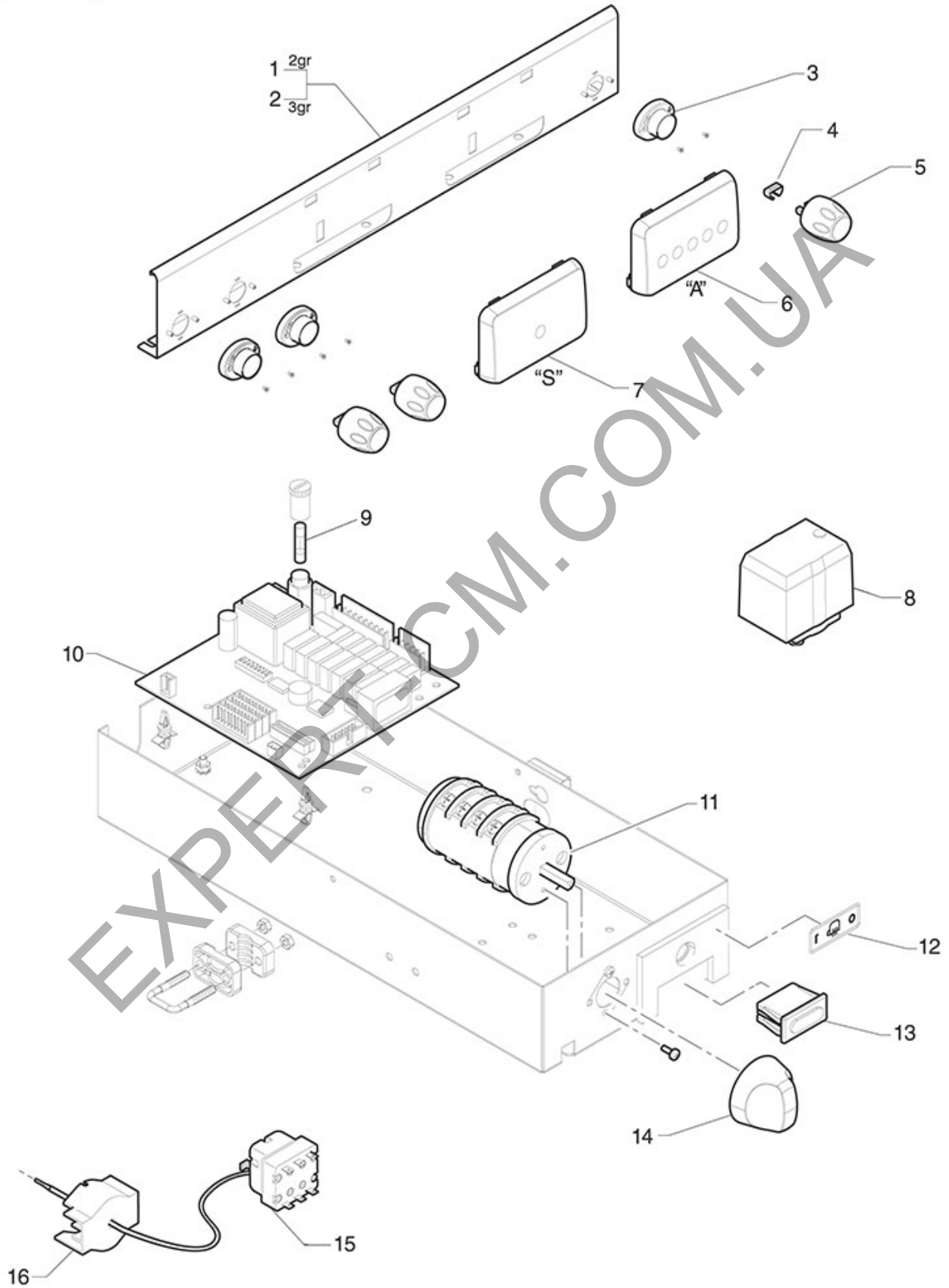
Position	LF code no.	Description
3	1185035	CUP WARMING GRID
3	1185702	WHITE CUP WARMING GRID
13	1313016	FOOT \varnothing 60 mm M10 H=30÷40 mm
14	5039437	CUP SUPPORT GRID ST/STEEL 2 GROUPS
21	1120192	2-WAY SOLENOID VALVE LUCIFER 220/240V
22	3060608	O-RING O3050 EPDM
24	1523066	CHECK VALVE
25	1786197	O-RING 03030 GREEN VITON
28	1786197	O-RING 03030 GREEN VITON
29	1523066	CHECK VALVE
30	1186966	GASKET ORM 0057-19 VITON GREEN
31	1186957	FLAT GASKET PTFE \varnothing 22x17x1,5 mm
32	1449876	DRAIN PIPE \varnothing 3/4" F 1500 mm
33	1527037	DRAIN TANK
35	1186950	O-RING 02043 VITON GREEN
36	1455058	VOLUMETRIC FLOWMETER GICAR

EXPERT-CM.COM.UA



DODICI ELECTRICAL COMPONENTS

DODICI A/S





CASADIO



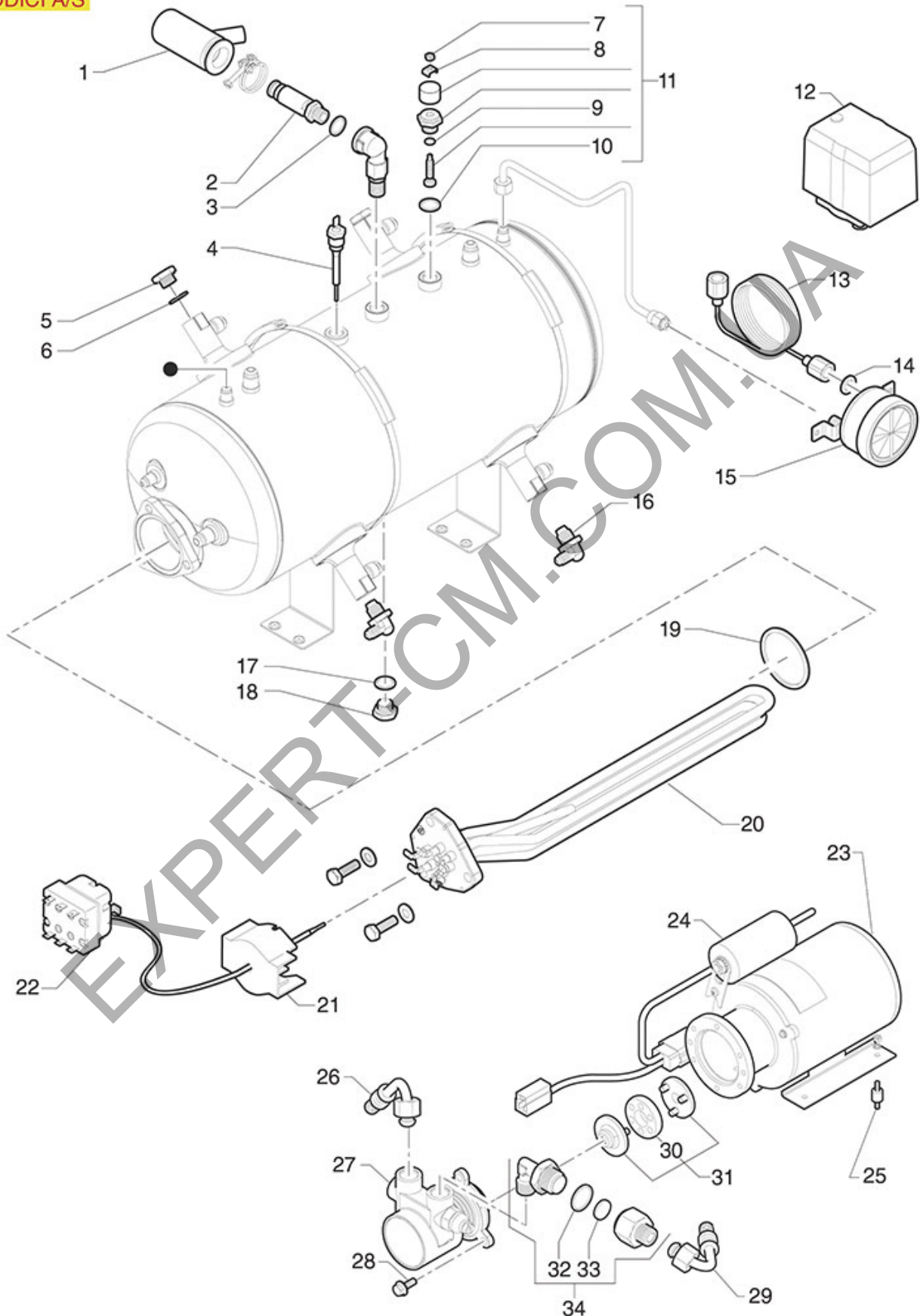
Position	LF code no.	Description
4	1241561	ELASTIC RING FOR KNOB
5	1241167	WATER/STEAM TAP KNOB
6	1319439	PUSH-BUTTON PANEL 5 BUTTONS
7	1319489	PUSH-BUTTON PANEL 1 KEY
8	1320803	PRESSURE SWITCH P303T02 3-POLES 20A 1/4"
9	3049052	QUICK ACTING FUSE \varnothing 5x20 mm - 10 PCS
11	1057004	SELECTOR SWITCH 0-2 POSITIONS 20A 600V
14	1241033	SELECTOR SWITCH KNOB \varnothing 40 mm
15	1444509	THREE-PHASE THERMOSTAT 169°C

EXPERT-CM.COM.UA



DODICI BOILER AND MOTORS

DODICI A/S





CASADIO



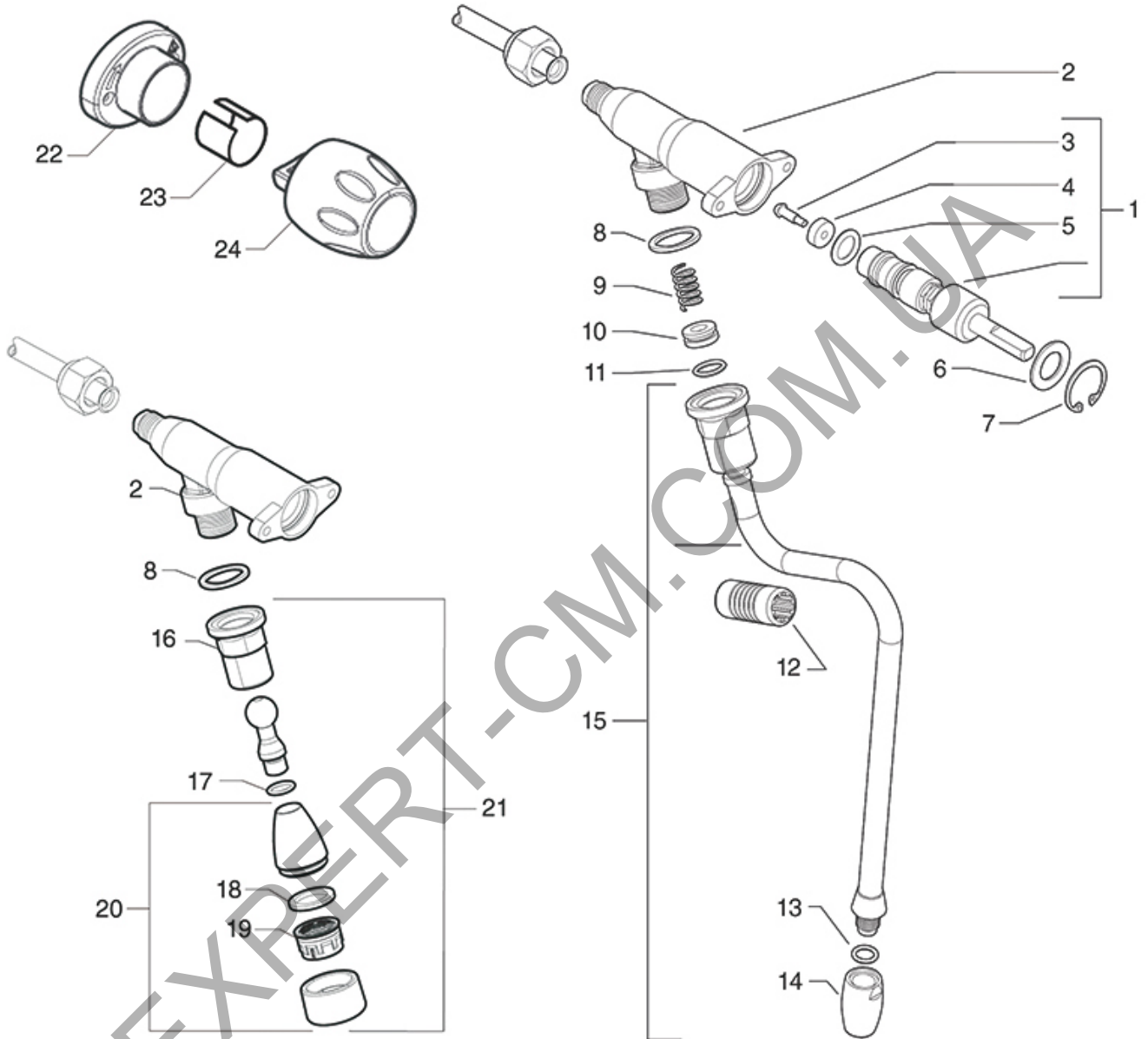
Position	LF code no.	Description
2	1515004	BOILER VALVE \varnothing 1/4"M - 2.0 bar CE/PED
3	1786166	PTFE FLAT GASKET \varnothing 18x14x1.5 mm
4	1341038	LEVEL PROBE \varnothing 1/4"M-89 mm
6	1186619	COPPER FLAT GASKET \varnothing 18x14x1.5 mm
7	1348813	HEXAGONAL NUT M4 MEDIUM
9	1186362	"O" RING 02021 EPDM
10	1786166	PTFE FLAT GASKET \varnothing 18x14x1.5 mm
11	1523538	BOILER VALVE \varnothing 1/4"M
12	1320803	PRESSURE SWITCH P303T02 3-POLES 20A 1/4"
14	1186974	FLAT PTFE GASKET \varnothing 8.5x4.5x1.5 mm
15	1245047	BOILER-PUMP PRESSURE GAUGE \varnothing 62 mm
17	1786166	PTFE FLAT GASKET \varnothing 18x14x1.5 mm
19	1186607	FLAT CARBO GASKET \varnothing 57.8x50x3 mm
20	1755235	HEATING ELEMENT 5400/6430W 220/400V
22	1444509	THREE-PHASE THERMOSTAT 169°C
23	1240296	MOTOR SMA WITH FLANGE 150W
24	3068016	CAPACITOR μ F 10 450V 50/60Hz
27	1330017	ROTARY VANE PUMP PROCON \varnothing 3/8"
28	3528112	HEXAGONAL HEAD SCREW M6x16
30	1191002	RUBBER COUPLING \varnothing 41.5 mm
31	1191003	COMPLETE METAL COUPLING
32	1186969	FLAT GASKET PTFE \varnothing 25x21x1,5 mm
33	1160068	WATER FILTER \varnothing 18 mm

EXPERT-CM.COM.UA



DODICI WATER/STEAM TAP

DODICI A/S



 50	0+100°C	---	100	 51	0,20L 2 cups	200	 300	---	300	 400	0,25L 2 cups	400
	0+100°C	---	101		0,30L 3 cups	201		---	301		0,35L 3 cups	401
 INOX 18/10 103	---	---	102	0,45L 4 cups	202	---	302	0,50L 4 cups	402			
	0,60L 6 cups	---	103	0,60L 6 cups	203	0,60L 6 cups	303	0,75L 6 cups	403			
	0,70L 9 cups	---	104	0,70L 9 cups	204	1,00L 10 cups	304	1,00L 10 cups	404			
	1,10L 12 cups	---	105	---	205	1,50L 12 cups	305	1,50L 13 cups	405			
 INOX 18/10 206	---	---	106	---	206	---	306	---	406			
	---	---	---	---	---	---	---	---	---			
	---	---	---	---	---	---	---	---	---			



CASADIO

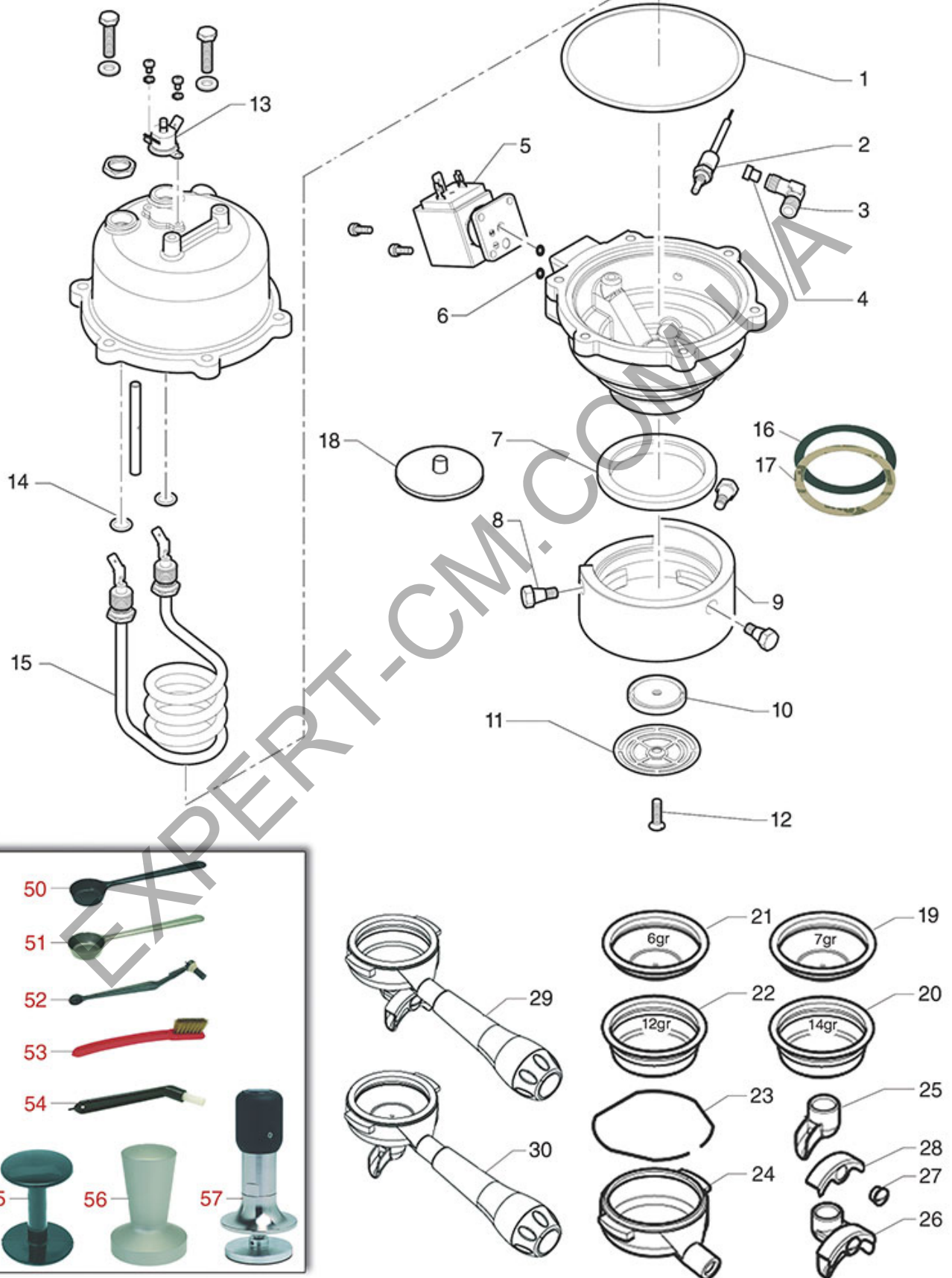


Position	LF code no.	Description
1	1348111	TAP SPINDLE
3	1184019	SCREW PIN FOR WATER/STEAM TAP
4	1186927	FLAT GASKET VITON \varnothing 12x4x4 mm
5	1186236	O-RING 03043 VITON
6	1186299	WASHER \varnothing 21x16x1 mm
7	1348029	SEEGER RING J-19
8	1186957	FLAT GASKET PTFE \varnothing 22x17x1,5 mm
9	1250226	TAP PIPE SPRING \varnothing 11x24 mm
10	1186344	CONICAL PTFE SEAL \varnothing 14.5x7x6 mm
11	1186346	O-RING 02043 EPDM
12	1186924	BURN PREVENTING PIPE HANDGRIP \varnothing 10 mm
13	1186411	O-RING 02031 EPDM
14	1549012	STAINLESS STEEL STEAM SPRINKLER \varnothing 1/8"F
15	1449143	S/STEEL COMPLETE STEAM PIPE \varnothing 10 mm
15	1449837	STEAM PIPE
17	3243009	O-RING GASKET 0106 EPDM
18	1186958	FLAT EPDM GASKET \varnothing 20.5x15x2 mm
19	5029747	WATER SPRINKLER
20	1449196	WATER SPRINKLER
21	1449042	COMPLETE WATER PIPE
23	1241561	ELASTIC RING FOR KNOB
24	1241167	WATER/STEAM TAP KNOB
50	1394553	ANALOGICAL THERMOMETER \varnothing 25 mm
51	1394554	ANALOG THERMOMETER \varnothing 45 mm
103	1024051	SERVING COFFEE POT PRATIKA 0.60 L
104	1024052	SERVING COFFEE POT PRATIKA 0.70 L
105	1024053	SERVING COFFEE POT PRATIKA 1.10 L
200	1024001	MILK PITCHER PRATIKA 0.20 L
201	1024002	MILK PITCHER PRATIKA 0.30 L
202	1024003	MILK PITCHER PRATIKA 0.45 L
203	1024004	MILK PITCHER PRATIKA 0.60 L
204	1024005	MILK PITCHER PRATIKA 0.70 L
205	1024006	MILK PITCHER PRATIKA 1.10 L
302	1224901	MILK JUG 0.35 L
303	1224902	MILK JUG 0.60 L
304	1224903	MILK JUG 1 L
305	1224904	MILK JUG 1.5 L
400	1224014	MILK PITCHER EUROPA WITH SPOUT 0.25 L
401	1224015	MILK PITCHER EUROPA WITH SPOUT 0.35 L
402	1224010	MILK PITCHER EUROPA WITH SPOUT 0.50 L
403	1224011	MILK PITCHER EUROPA WITH SPOUT 0.75 L
404	1224012	MILK PITCHER EUROPA WITH SPOUT 1 L
405	1224013	MILK PITCHER EUROPA WITH SPOUT 1.5 L



VENTI COFFEE GROUP

VENTI





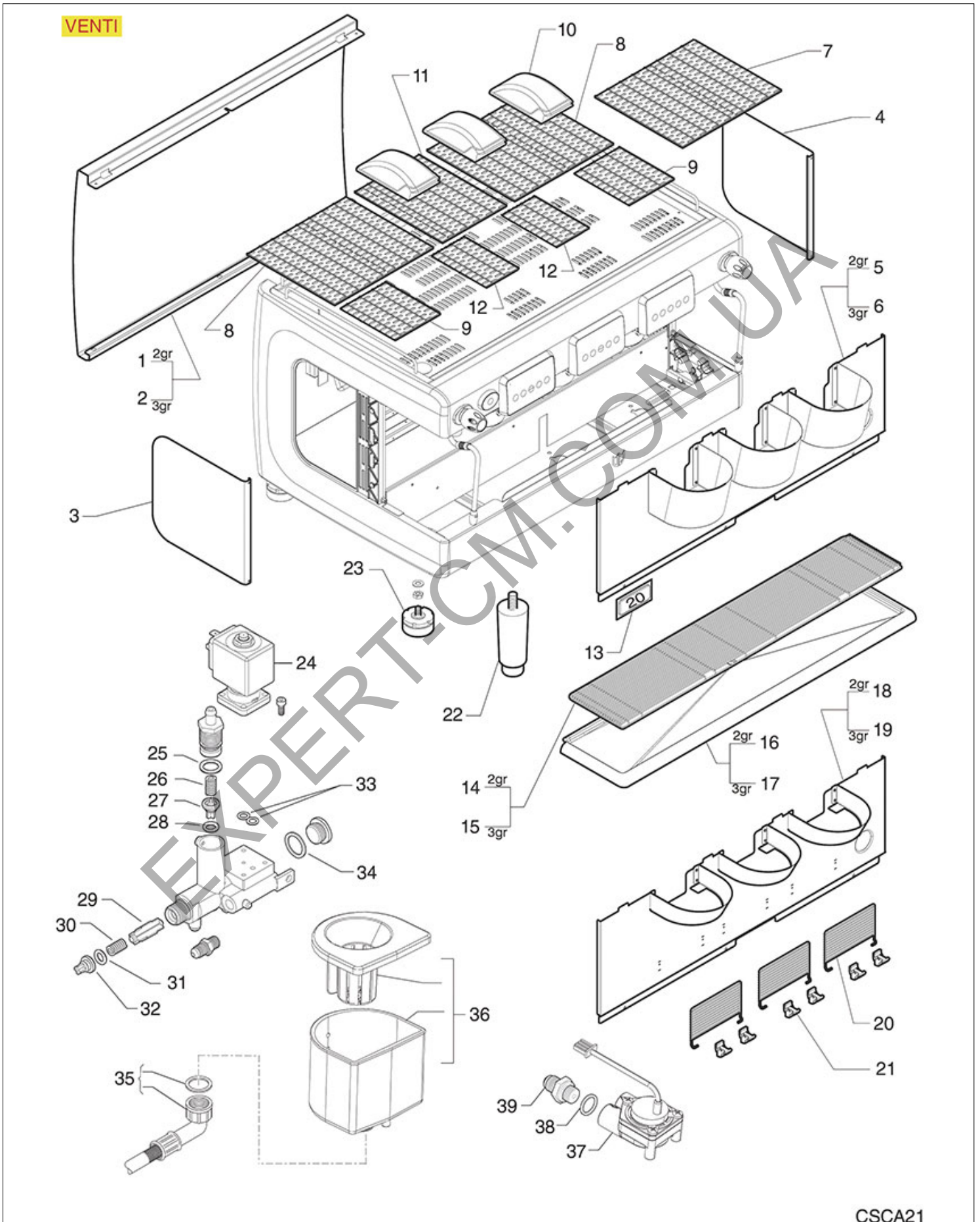
CASADIO



Position	LF code no.	Description
1	5501389	VITON O-RING 04400 BLACK
2	1397042	TEMPERATURE PROBE
6	3243139	O-RING 02025 EPDM
7	1186701	FILTER HOLDER GASKET ø 71x56x9 mm
7	5032979	GASKET FILTER HOLDER ø 71x56x9 mm
8	1184016	BELL SCREW
10	1081005	BREW GROUP SPRAY NOZZLE ø 35 mm M5X1
11	1081006	SHOWER SCREEN ø 51.5 mm
12	1528011	SHOWER SCREW M5x20
14	1186803	O-RING 02037 EPDM
15	1755237	HEATING ELEMENT 1550/1300W 220/240V
16	1190003	RUBBER SHIM ø 70x57x1 mm EPDM
17	1190005	PAPER SHIM ø 70x57x0.5 mm
17	1190051	PAPER SEAL ø 70x57x0.8 mm
18	1160293	MEMBRANE BLIND FILTER
19	1160335	1 CUP FILTER 7 g
20	1160337	2-CUP FILTER 14 GRAMS
21	1160251	1 CUP FILTER 6 g
22	1160252	2-CUP FILTER 12 GRAMS
23	1250101	FILTER BLOCKING SPRING ø 1,00 mm INOX
24	1165065	FILTER HOLDER CIMBALI/FAEMA
24	1165142	FILTER HOLDER COFFEE MACH. FAEMA/CIMBALI
25	1022100	SINGLE SPOUT M16
26	1022521	LONG DOUBLE SPOUT ø 3/8"
27	1160559	CHROME PLATED SCREW FOR SPOUT
29	1165097	COMPLETE FILTER HOLDER 2 CUPS CASADIO
30	1165096	COMPLETE FILTER HOLDER 1 CUP CASADIO
50	1069001	PLASTIC MEASURING SPOON 20 ml
51	1069002	STAINLESS STEEL MEASURING SPOON 20 ml
52	1384003	BLACK SHOWER CLEANING BRUSH
53	1384002	BRUSH FOR MAINTENANCE
54	1384001	BRUSH FOR COFFEE SHOWER
55	1385000	NYLON TAMPER ø 50/52 mm
55	1385002	NYLON COFFEE TAMPER ø 50/57 mm
56	1385053	ANODISED ALUMINUM TAMPER ø 58 mm
56	1385054	ANODISED ALUMINUM TAMPER ø 53 mm
57	1385600	DYNAMOMETRIC MANUAL COFFEE TAMPER ø 57mm
57	1385601	DYNAMOMETRIC MANUAL TAMPER ø 52 mm



VENTI BODIES AND HYDRAULIC SYSTEM





CASADIO

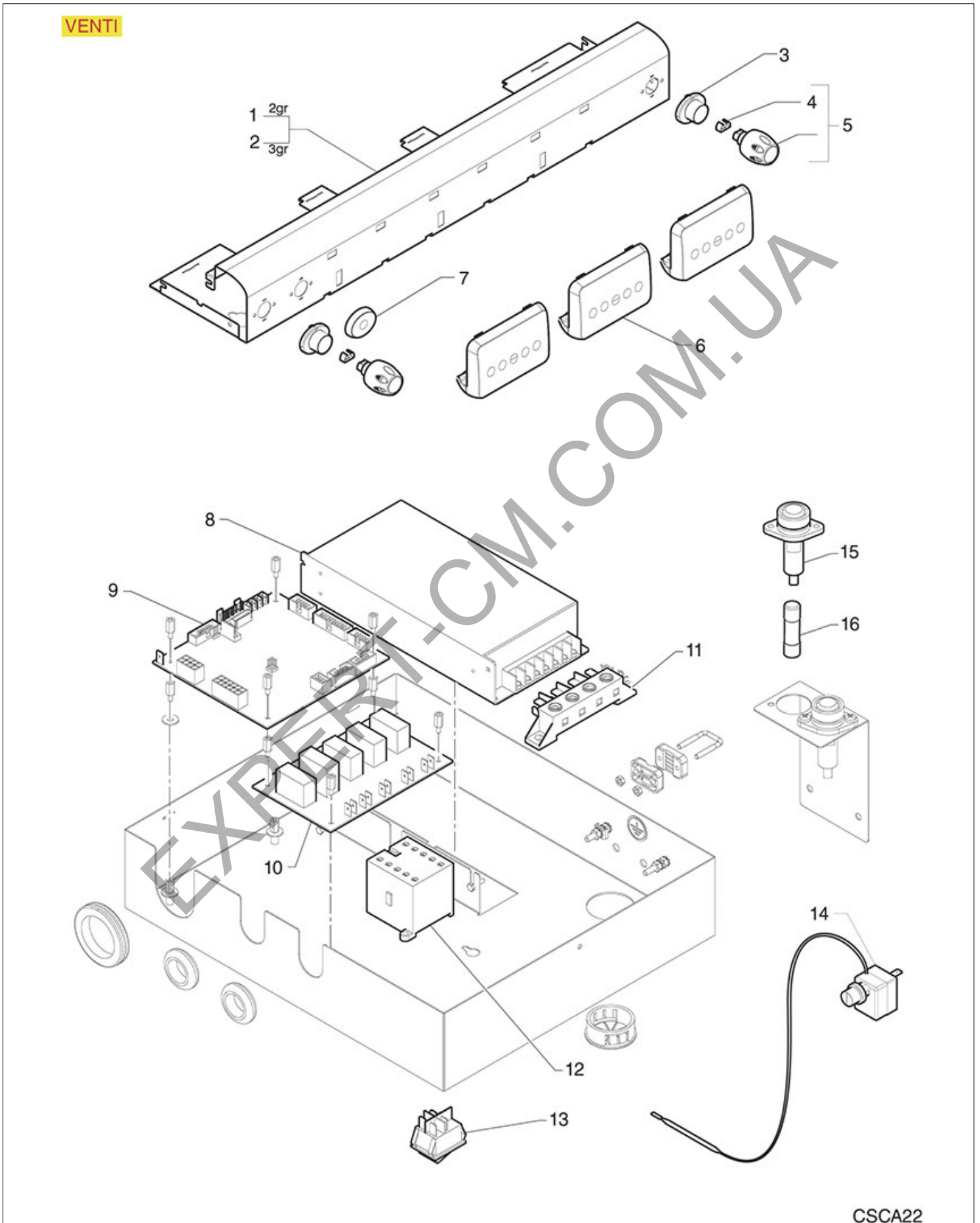


Position	LF code no.	Description
7	1185029	CUP WARMING GRID
14	1185030	ST.STEEL CUP GRID 2 GROUPS
23	1313016	FOOT \varnothing 60 mm M10 H=30÷40 mm
25	3060608	O-RING O3050 EPDM
27	1523066	CHECK VALVE
28	1786197	O-RING O3030 GREEN VITON
31	1786197	O-RING O3030 GREEN VITON
32	1523066	CHECK VALVE
33	1186966	GASKET ORM 0057-19 VITON GREEN
34	1186957	FLAT GASKET PTFE \varnothing 22x17x1,5 mm
35	1449876	DRAIN PIPE \varnothing 3/4" F 1500 mm
36	1527037	DRAIN TANK
37	1455058	VOLUMETRIC FLOWMETER GICAR
38	1186950	O-RING O2043 VITON GREEN

EXPERT-CM.COM.UA



VENTI ELECTRICAL COMPONENTS



CSCA22

Positions without LF code no.: upon request



CASADIO

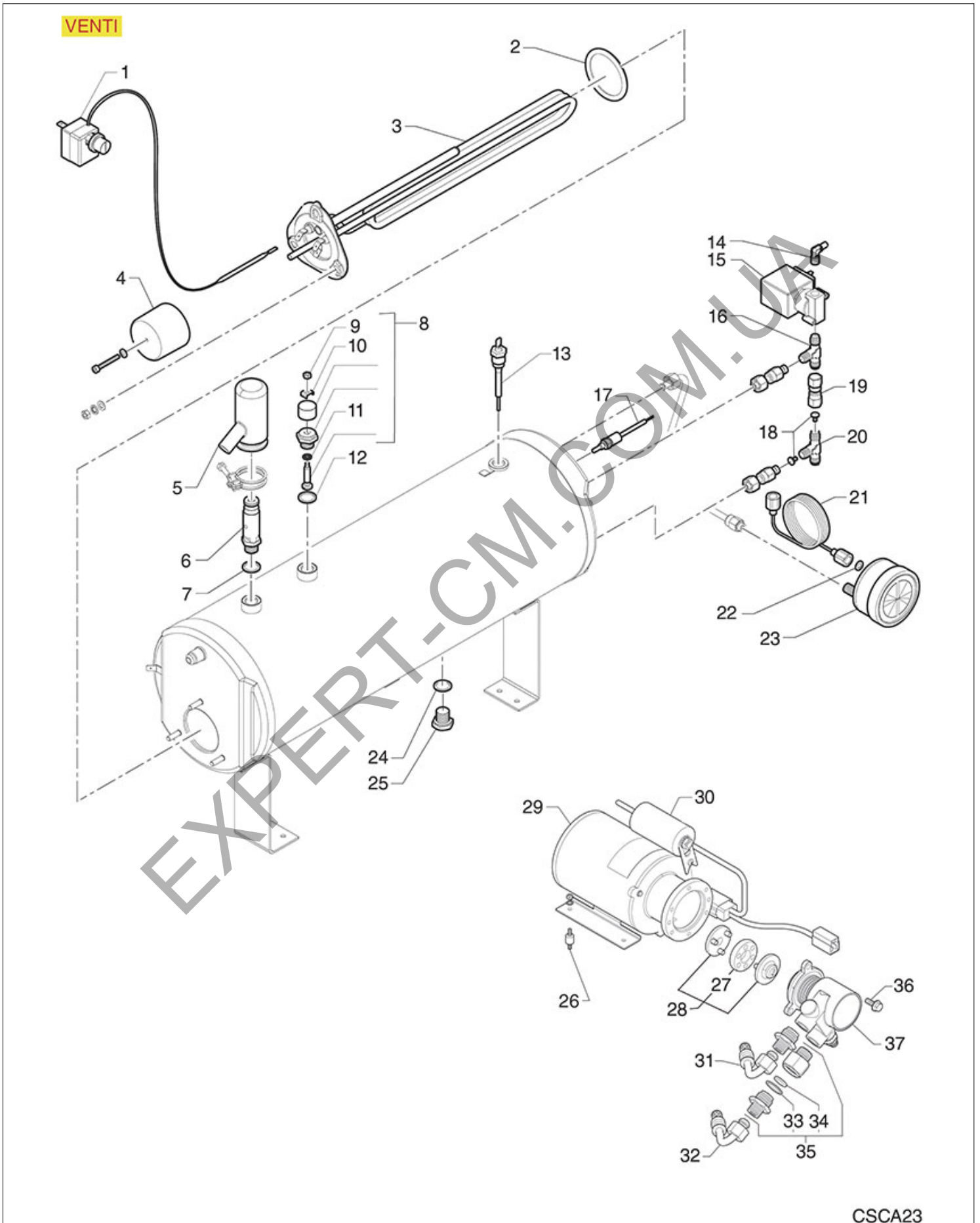


Position	LF code no.	Description
4	1241561	ELASTIC RING FOR KNOB
5	1241167	WATER/STEAM TAP KNOB
6	1319438	PUSH-BUTTON PANEL 7 BUTTONS
11	3247037	4-POLE TERMINAL BLOCK FV173 40A 600V
12	1454001	CONTACTOR ALLEN-BRADLEY K09 20A 400V
13	1319202	SWITCH 2-POLE GREEN 16A 250V
14	5047881	SINGLE-PHASE THERMOSTAT 170°C

EXPERT-CM.COM.UA



VENTI BOILER AND MOTOR





CASADIO



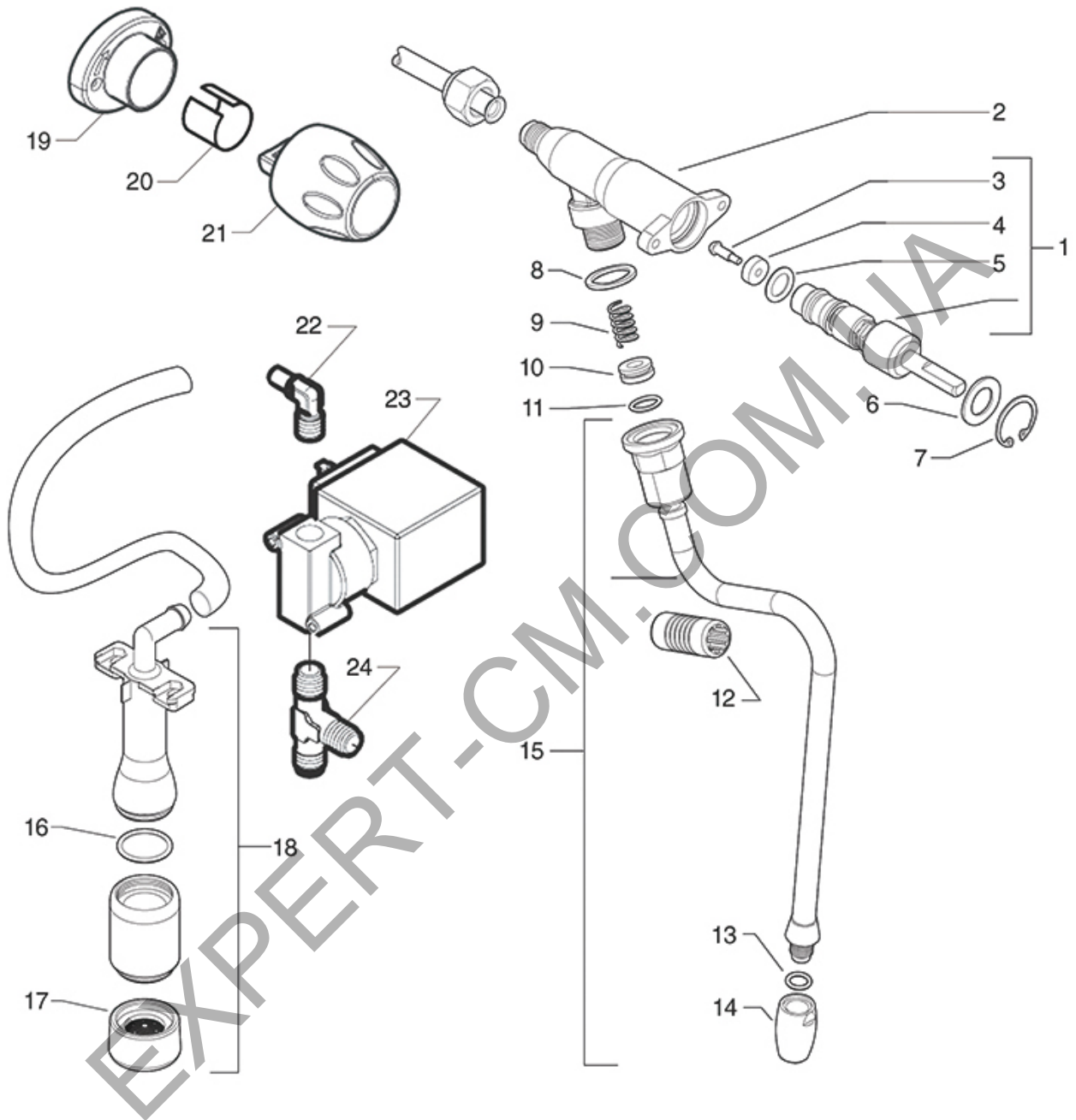
Position	LF code no.	Description
1	5047881	SINGLE-PHASE THERMOSTAT 170°C
2	3186013	O-RING GASKET 06187 EPDM \varnothing 58 mm
3	1755234	HEATING ELEMENT 2700W 230V
6	1515004	BOILER VALVE \varnothing 1/4" M - 2.0 bar CE/PED
7	1786166	PTFE FLAT GASKET \varnothing 18x14x1.5 mm
8	1523538	BOILER VALVE \varnothing 1/4" M
9	1348813	HEXAGONAL NUT M4 MEDIUM
11	1186362	"O" RING 02021 EPDM
12	1786166	PTFE FLAT GASKET \varnothing 18x14x1.5 mm
13	1341038	LEVEL PROBE \varnothing 1/4" M-89 mm
15	1120106	2-WAY PARKER SOLENOID VALVE \varnothing 1/8" 24VDC
16	1349153	T-FITTING \varnothing 1/4" M-1/4" M-1/4" M
17	1397042	TEMPERATURE PROBE
20	3349356	NICHEL-PL. T-FITTING \varnothing 1/8" M-1/8" M-1/8" M
22	1186974	FLAT PTFE GASKET \varnothing 8.5x4.5x1.5 mm
23	1245047	BOILER-PUMP PRESSURE GAUGE \varnothing 62 mm
24	1786166	PTFE FLAT GASKET \varnothing 18x14x1.5 mm
27	1191002	RUBBER COUPLING \varnothing 41.5 mm
28	1191003	COMPLETE METAL COUPLING
29	1240296	MOTOR SMA WITH FLANGE 150W
30	3068016	CAPACITOR μ F 10 450V 50/60Hz
33	1186969	FLAT GASKET PTFE \varnothing 25x21x1,5 mm
34	1160068	WATER FILTER \varnothing 18 mm
35	1160700	COUPLING WITH FILTER \varnothing 3/8" M - 3/8" M
36	3528112	HEXAGONAL HEAD SCREW M6x16
37	1330017	ROTARY VANE PUMP PROCON \varnothing 3/8"

EXPERT-CM.COM.UA



VENTI WATER/STEAM TAP

VENTI



 50	 51	 INOX 18/10	--- 100 --- 101 --- 102 0,60L 6 cups 103 0,70L 9 cups 104 1,10L 12 cups 105 --- 106	 INOX 18/10	0,20L 2 cups 200 0,30L 3 cups 201 0,45L 4 cups 202 0,60L 6 cups 203 0,70L 9 cups 204 1,10L 12 cups 205 --- 206	 INOX 18/10	--- 300 --- 301 --- 302 0,60L 6 cups 303 1,00L 10 cups 304 1,50L 12 cups 305 2,00L 15 cups 306	 INOX 18/10	0,25L 2 cups 400 0,35L 3 cups 401 0,50L 4 cups 402 0,75L 6 cups 403 1,00L 10 cups 404 1,50L 13 cups 405 --- 406
---------------	---------------	----------------	--	----------------	---	----------------	---	----------------	--



CASADIO



Position	LF code no.	Description
1	1348111	TAP SPINDLE
3	1184019	SCREW PIN FOR WATER/STEAM TAP
4	1186927	FLAT GASKET VITON \varnothing 12x4x4 mm
5	1186236	O-RING 03043 VITON
6	1186299	WASHER \varnothing 21x16x1 mm
7	1348029	SEEGER RING J-19
8	1186957	FLAT GASKET PTFE \varnothing 22x17x1,5 mm
9	1250226	TAP PIPE SPRING \varnothing 11x24 mm
10	1186344	CONICAL PTFE SEAL \varnothing 14.5x7x6 mm
11	1186346	O-RING 02043 EPDM
12	1186924	BURN PREVENTING PIPE HANDGRIP \varnothing 10 mm
13	1186411	O-RING 02031 EPDM
14	1549012	STAINLESS STEEL STEAM SPRINKLER \varnothing 1/8"F
15	1549005	ST. STEEL COMPLETE STEAM PIPE \varnothing 10 mm
16	1786165	O-RING 02068 GREEN VITON
18	1449209	COMPLETE WATER PIPE
20	1241561	ELASTIC RING FOR KNOB
21	1241167	WATER/STEAM TAP KNOB
23	1120106	2-WAY PARKER SOLENOID VALVE \varnothing 1/8" 24VDC
24	3349356	NICHEL-PL. T-FITTING \varnothing 1/8"M-1/8"M-1/8"M
50	1394553	ANALOGICAL THERMOMETER \varnothing 25 mm
51	1394554	ANALOG THERMOMETER \varnothing 45 mm
103	1024051	SERVING COFFEE POT PRATIKA 0.60 L
104	1024052	SERVING COFFEE POT PRATIKA 0.70 L
105	1024053	SERVING COFFEE POT PRATIKA 1.10 L
200	1024001	MILK PITCHER PRATIKA 0.20 L
201	1024002	MILK PITCHER PRATIKA 0.30 L
202	1024003	MILK PITCHER PRATIKA 0.45 L
203	1024004	MILK PITCHER PRATIKA 0.60 L
204	1024005	MILK PITCHER PRATIKA 0.70 L
205	1024006	MILK PITCHER PRATIKA 1.10 L
302	1224901	MILK JUG 0.35 L
303	1224902	MILK JUG 0.60 L
304	1224903	MILK JUG 1 L
305	1224904	MILK JUG 1.5 L
400	1224014	MILK PITCHER EUROPA WITH SPOUT 0.25 L
401	1224015	MILK PITCHER EUROPA WITH SPOUT 0.35 L
402	1224010	MILK PITCHER EUROPA WITH SPOUT 0.50 L
403	1224011	MILK PITCHER EUROPA WITH SPOUT 0.75 L
404	1224012	MILK PITCHER EUROPA WITH SPOUT 1 L
405	1224013	MILK PITCHER EUROPA WITH SPOUT 1.5 L