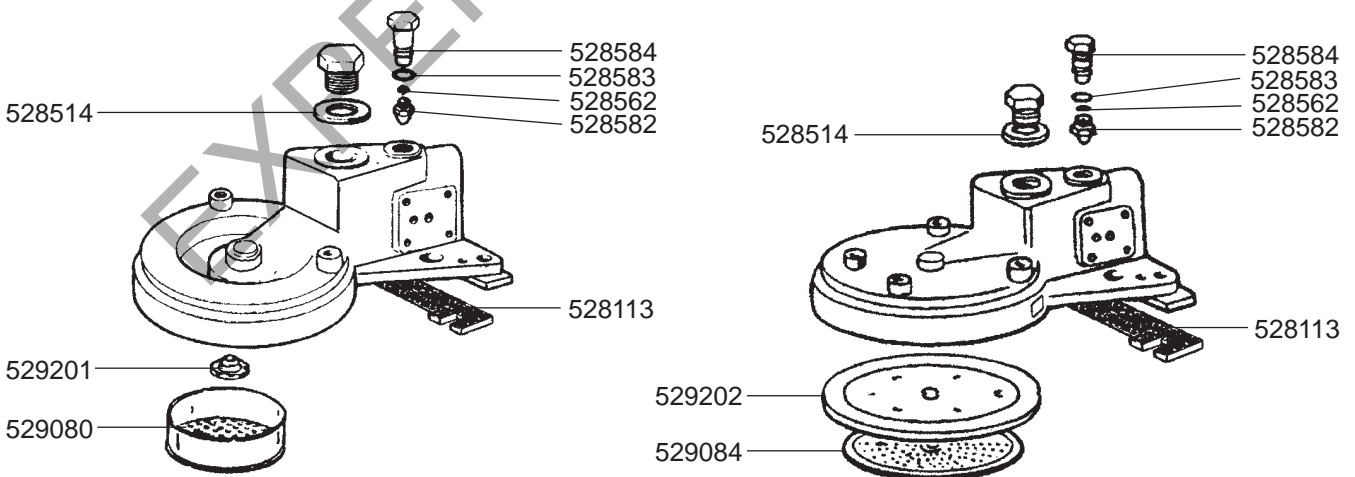
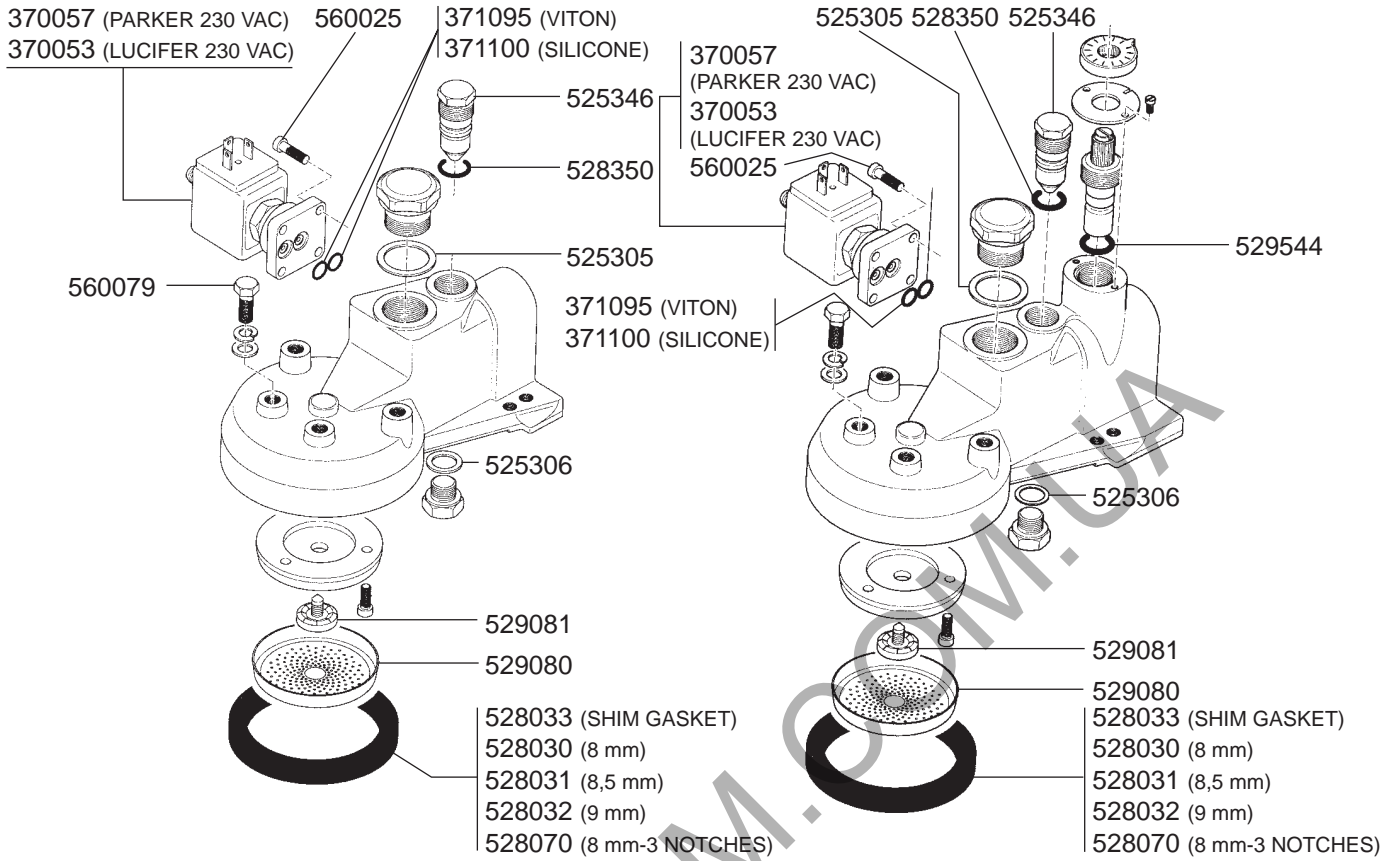
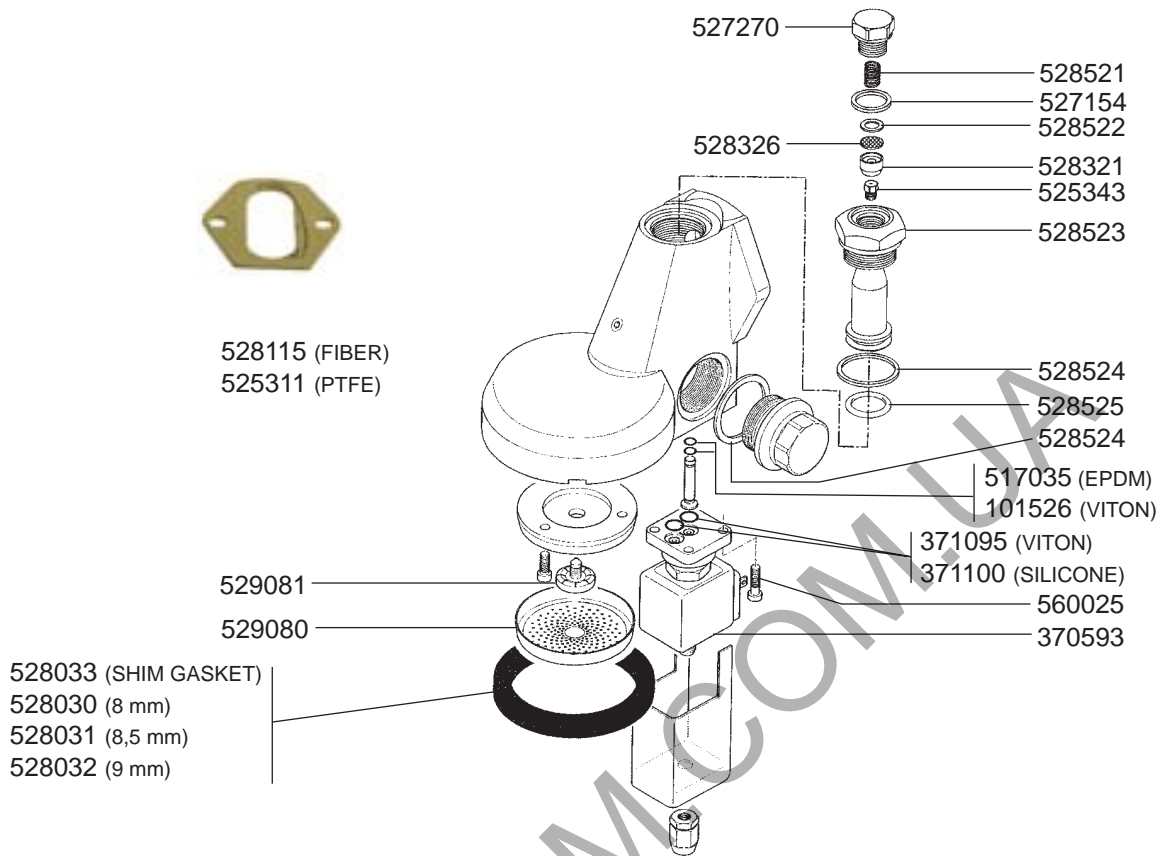


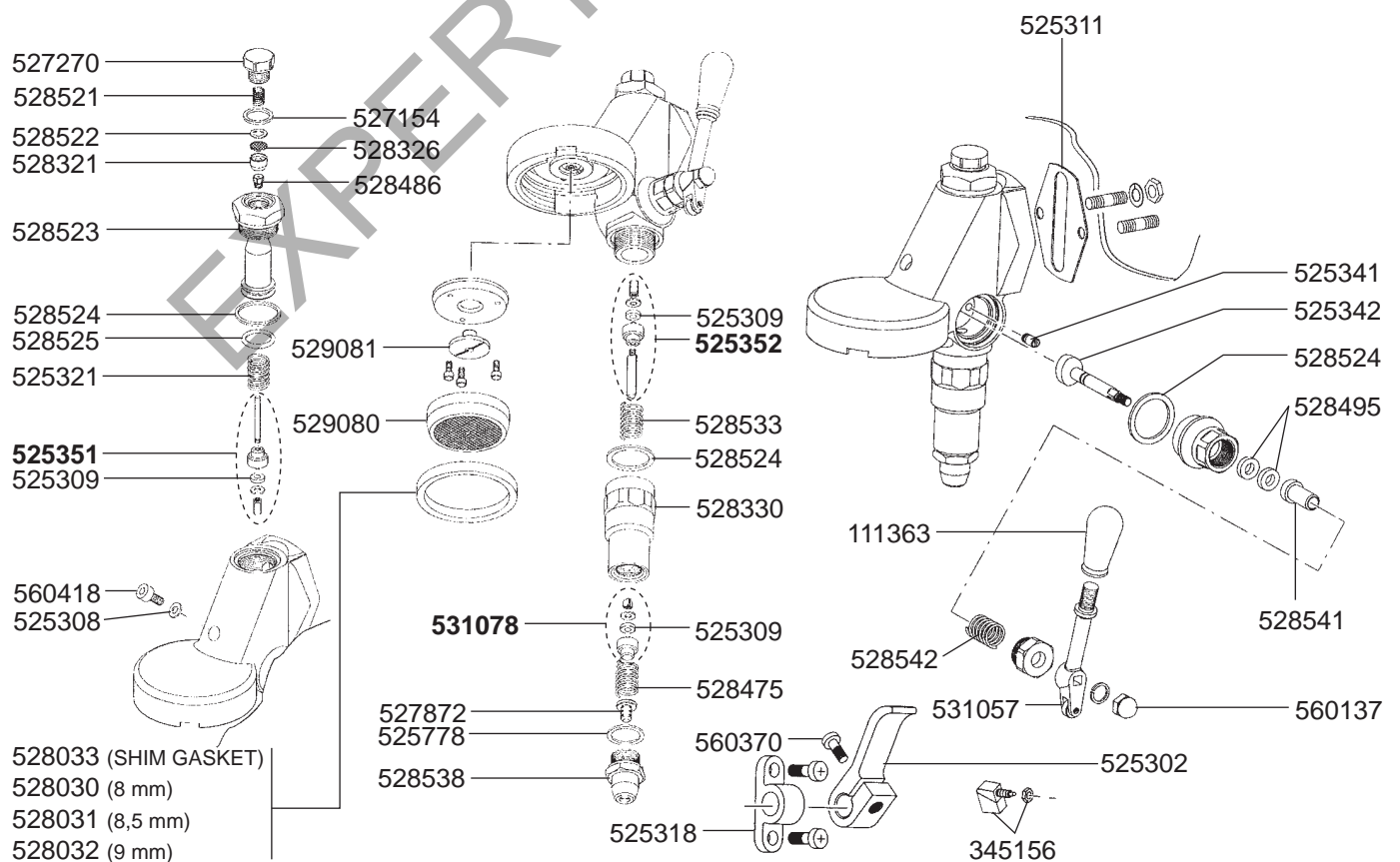
SOLENOID GROUPS



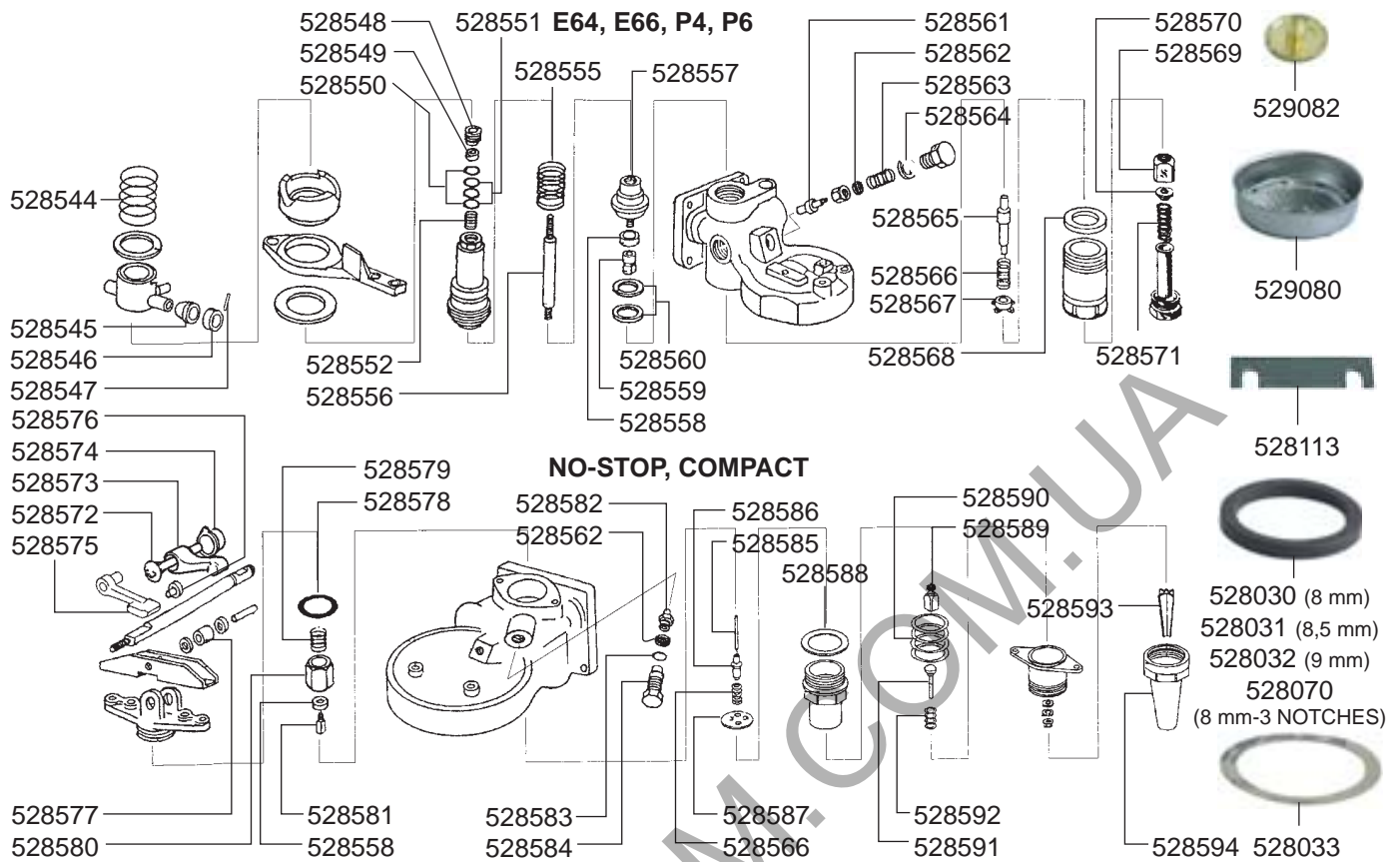
SOLENOID GROUPS



MANUAL GROUP



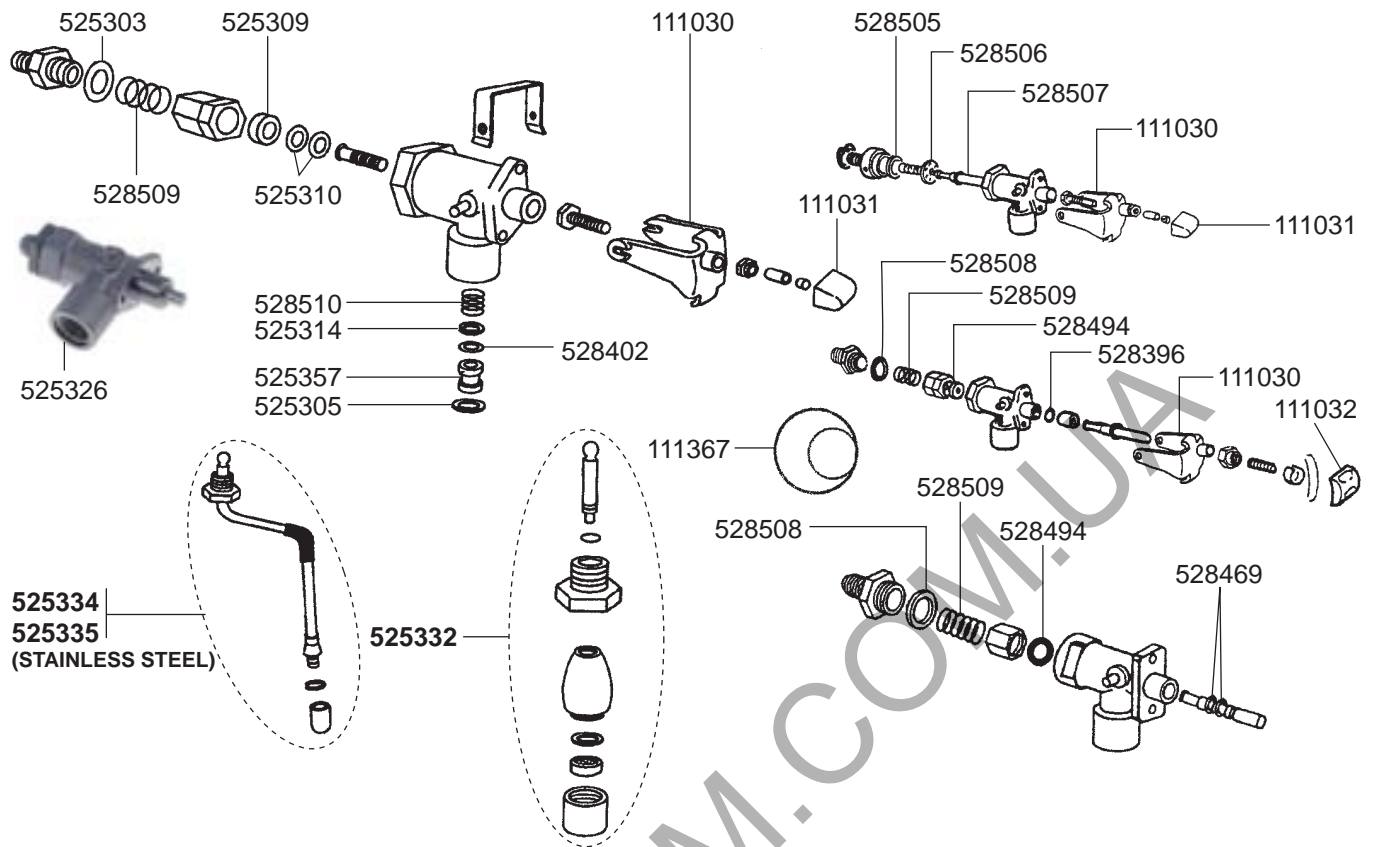
MANUAL GROUP



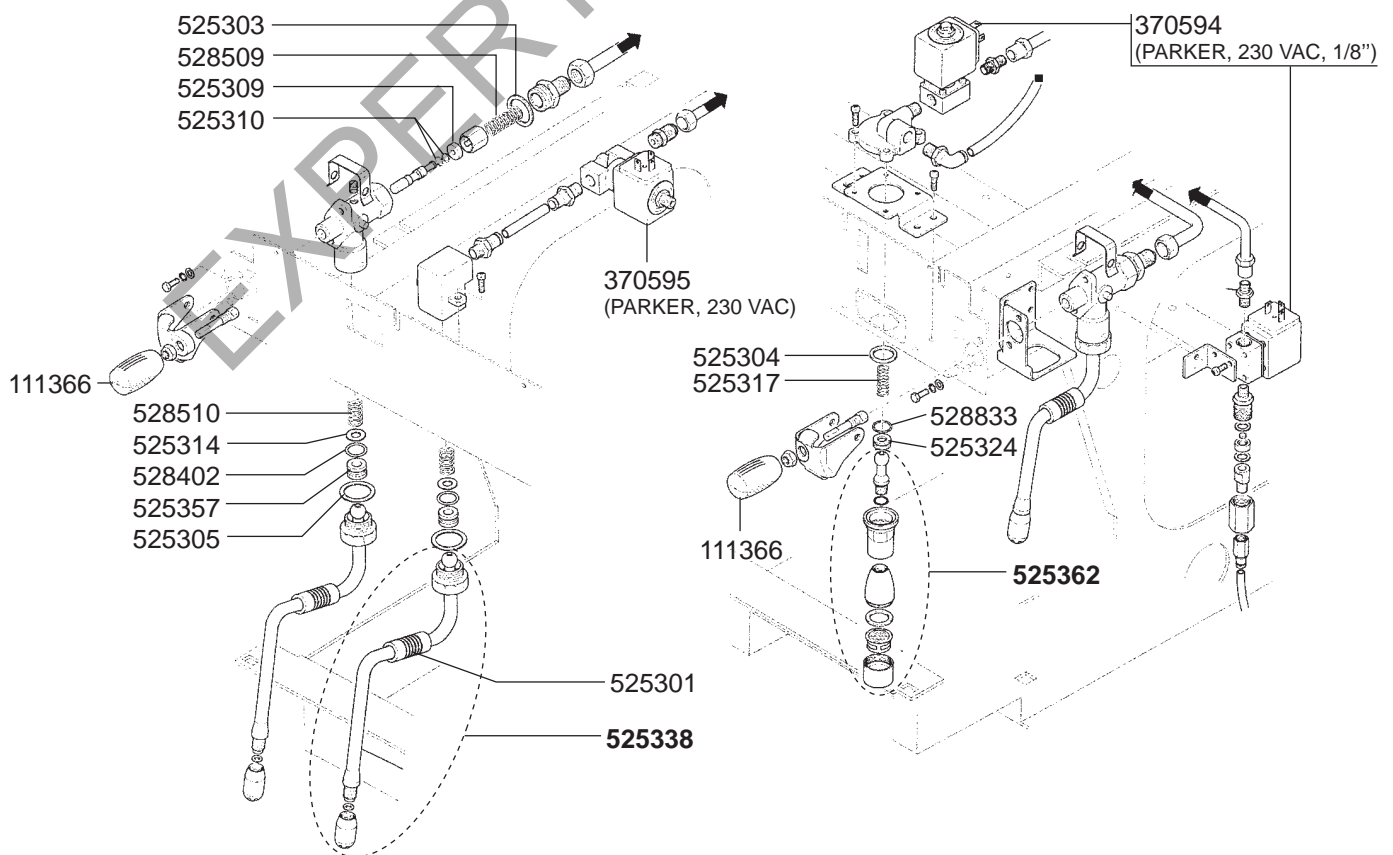
FILTER HOLDERS



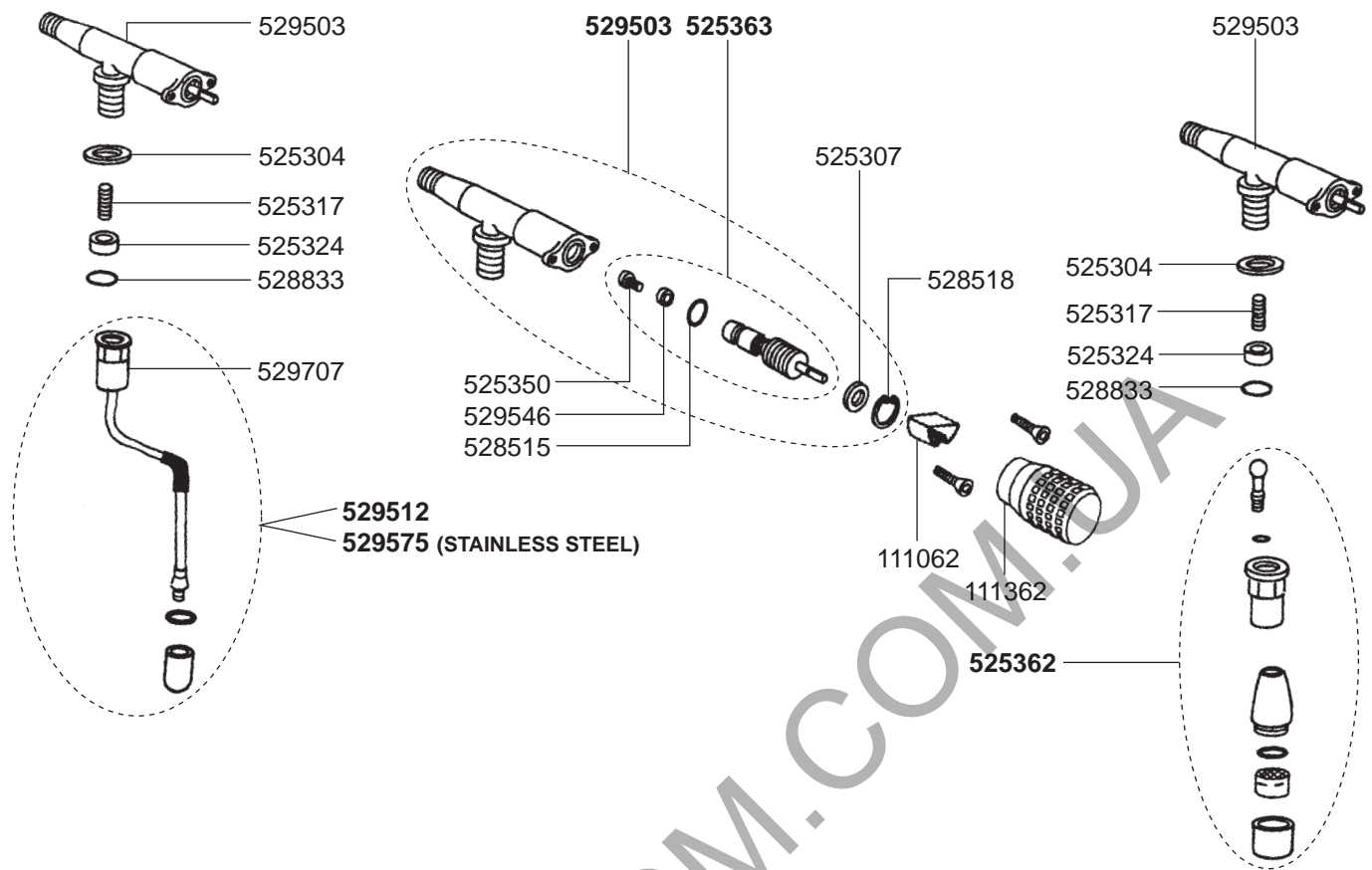
STEAM/WATER TAPS E91/DUE/DIPLOMAT



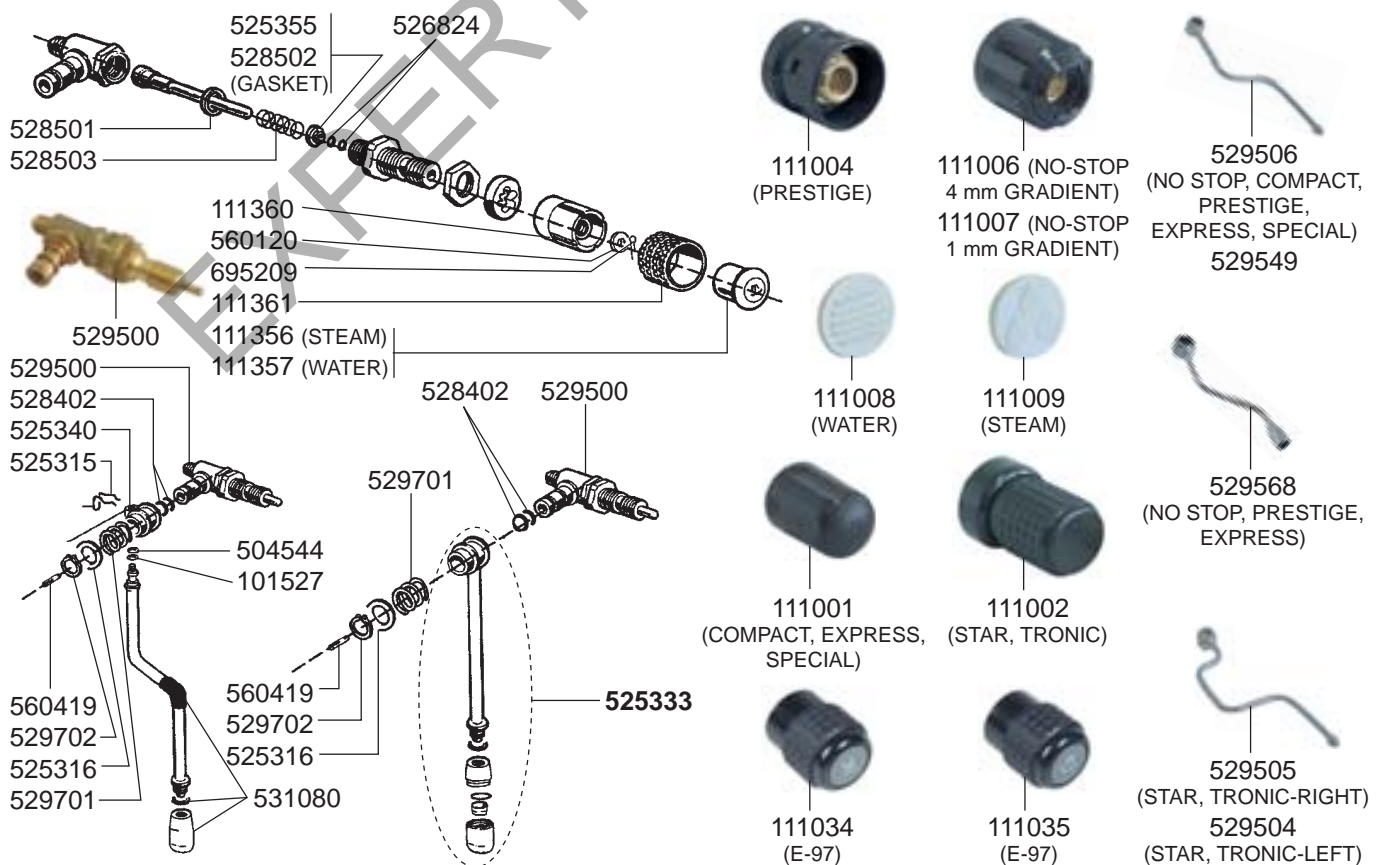
STEAM/WATER TAPS E92 ELITE A/S - E92 RESTYLING A/S



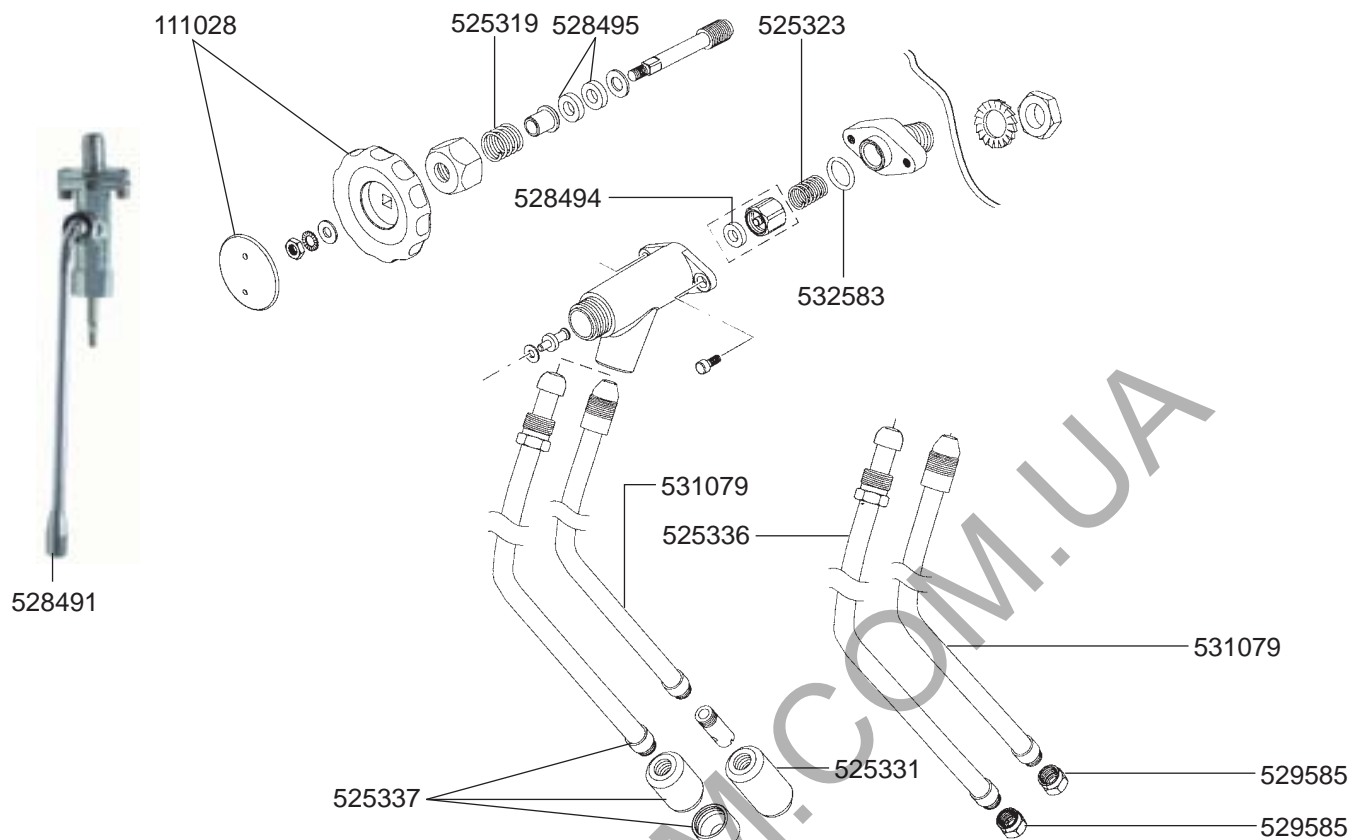
STEAM/WATER TAPS E98 PRESIDENT A/S



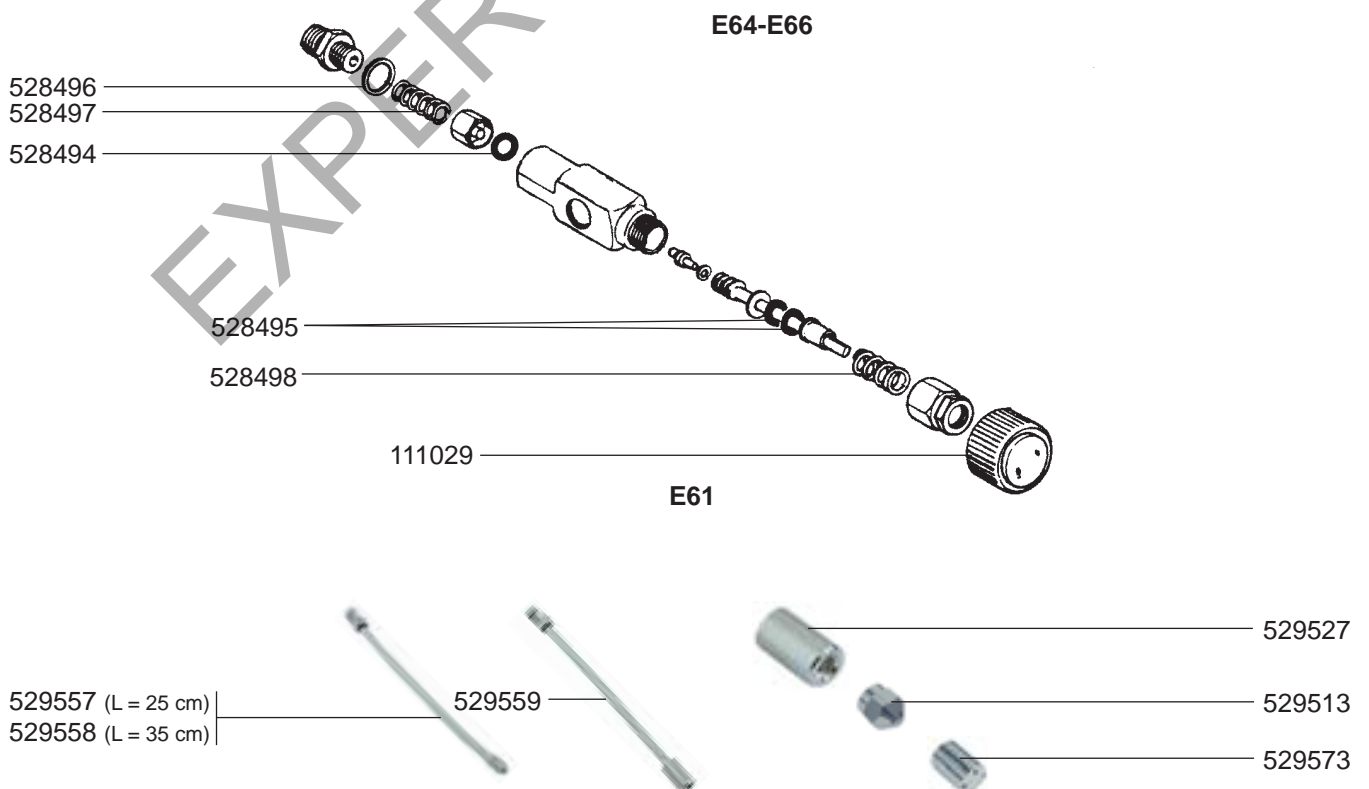
STEAM/WATER TAPS E98 A/S - NO STOP - COMPACT - PRESTIGE - EXPRESS - SPECIAL



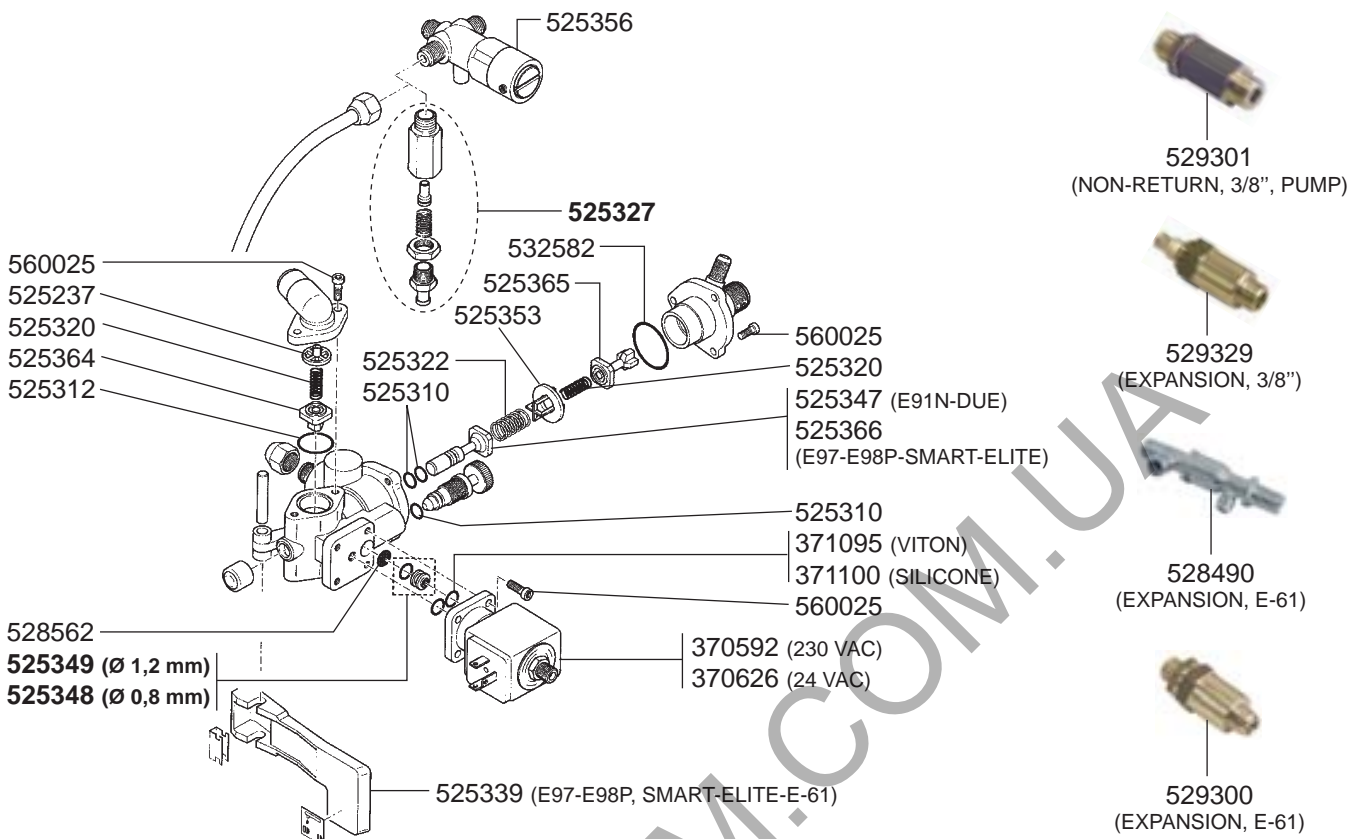
STEAM/WATER TAPS E61



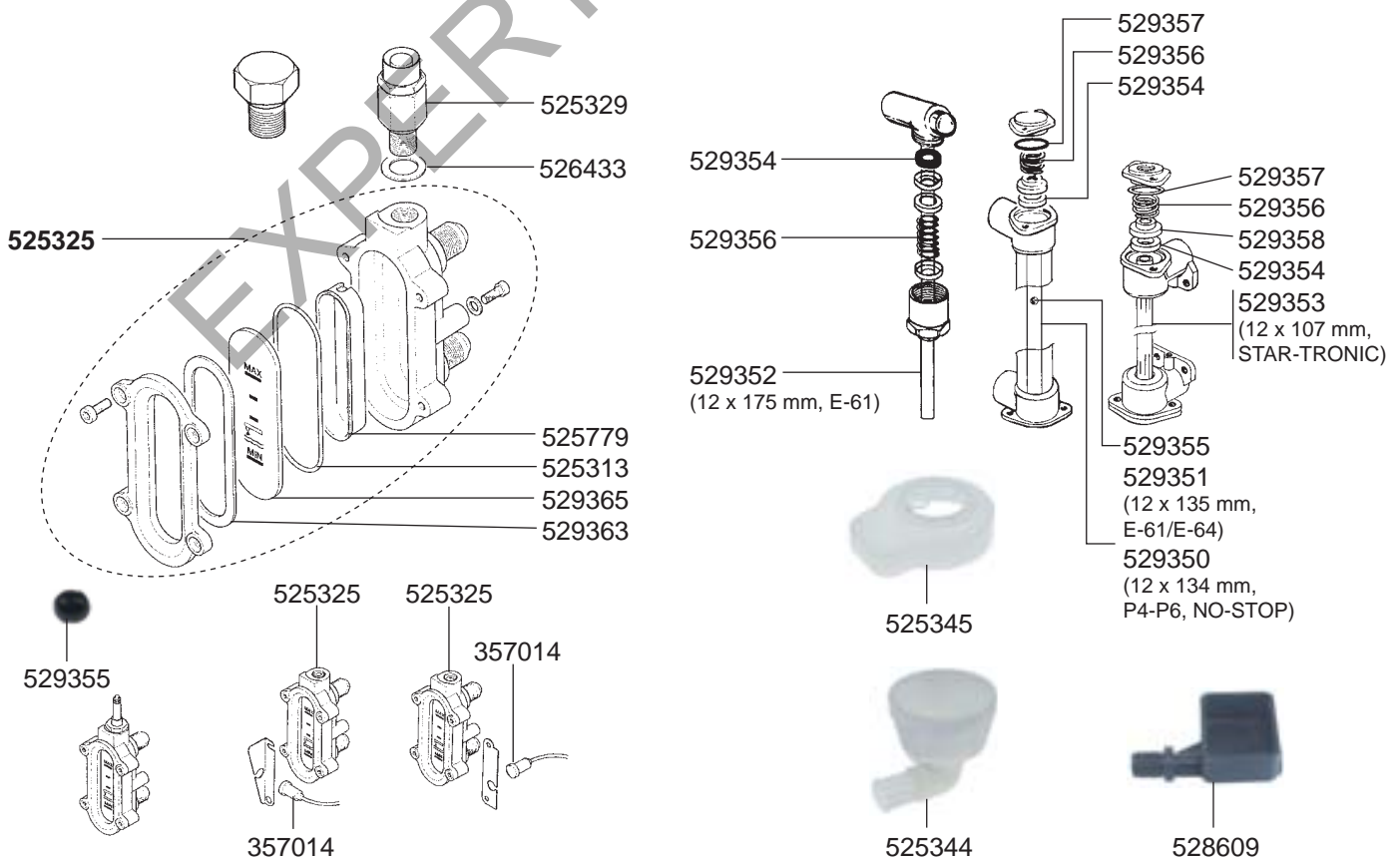
STEAM/WATER TAPS E64-E66-E61



VALVES



LEVEL INDICATOR/DRIP TRAYS



MANOMETERS



541200
(0-3 BAR, E-61)



541201
(0-16 BAR, E-61)



541202
(E-64, E-66)



541203
(NO-STOP, P4, P6, DUE,
SPECIAL, EXPRESS, STAR,
SMART, E-98P, E-97)



541207
(0-15 BAR,
SUPERTRONIC)



541205
(0-2,5 BAR, E-91, E-92)



541206
(0-16 BAR, E-91, E-92)

BOILER VARIOUS



417002 (1 GR-230 VAC-1500 W)
417003 (1 GR-230 VAC-1800 W)



417202 (2 GR-230/400 VAC-3750 W)
417112 (2-3 GR-230/400 VAC-4500 W)



417107 (1 GR-230 VAC-2600 W)



528022 (PTFE)



417083
(1 GR-230 VAC-1500 W COMPACT-A)



390166

417001 (2 GR-230 VAC-2600 W)

417108 (2 GR-230 VAC-3500 W)

417109 (3 GR-230 VAC-3700 W)

417110 (3 GR-230 VAC-5000 W)



528488 (FIBER)



417004
(1-2 GR-230 VAC-2400 W COMPACT)



417103 (2 GR-230 VAC-2600 W)
417104 (2 GR-230 VAC-3700 W)
417106 (3 GR-230 VAC-5000 W)



528488 (FIBER)



528022 (PTFE)



525652



390154



550006



550350

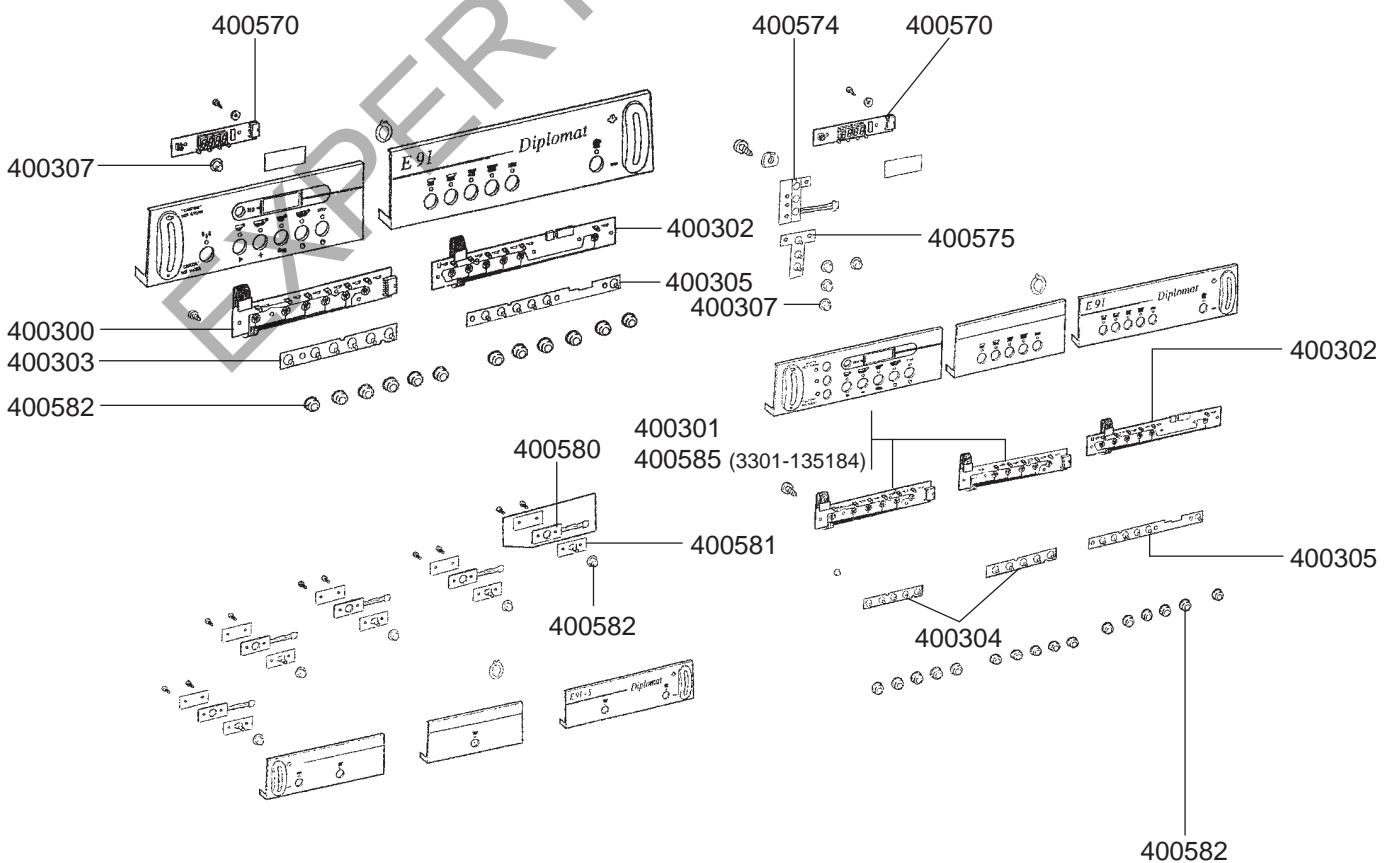


550351

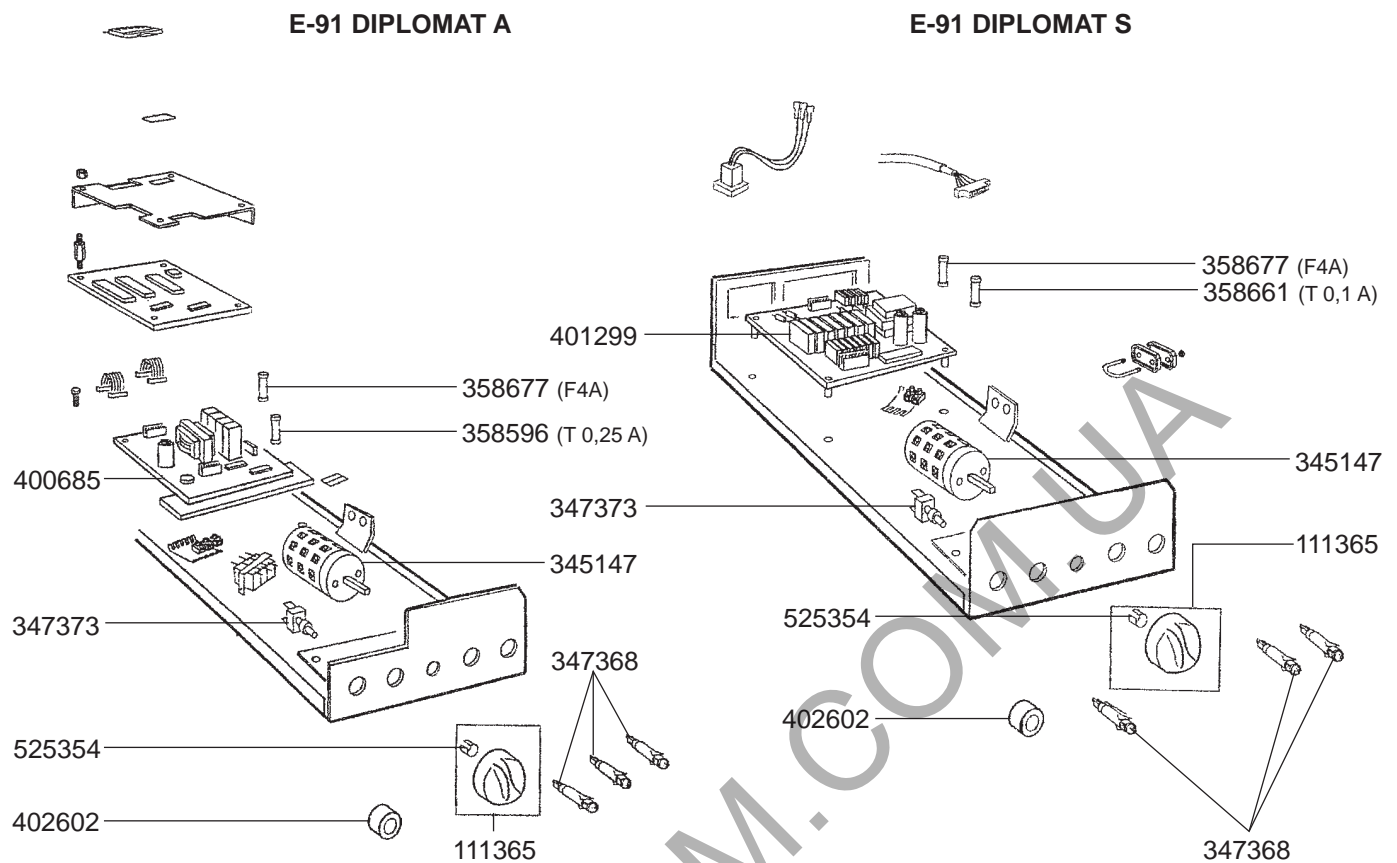
BOILER VARIOUS



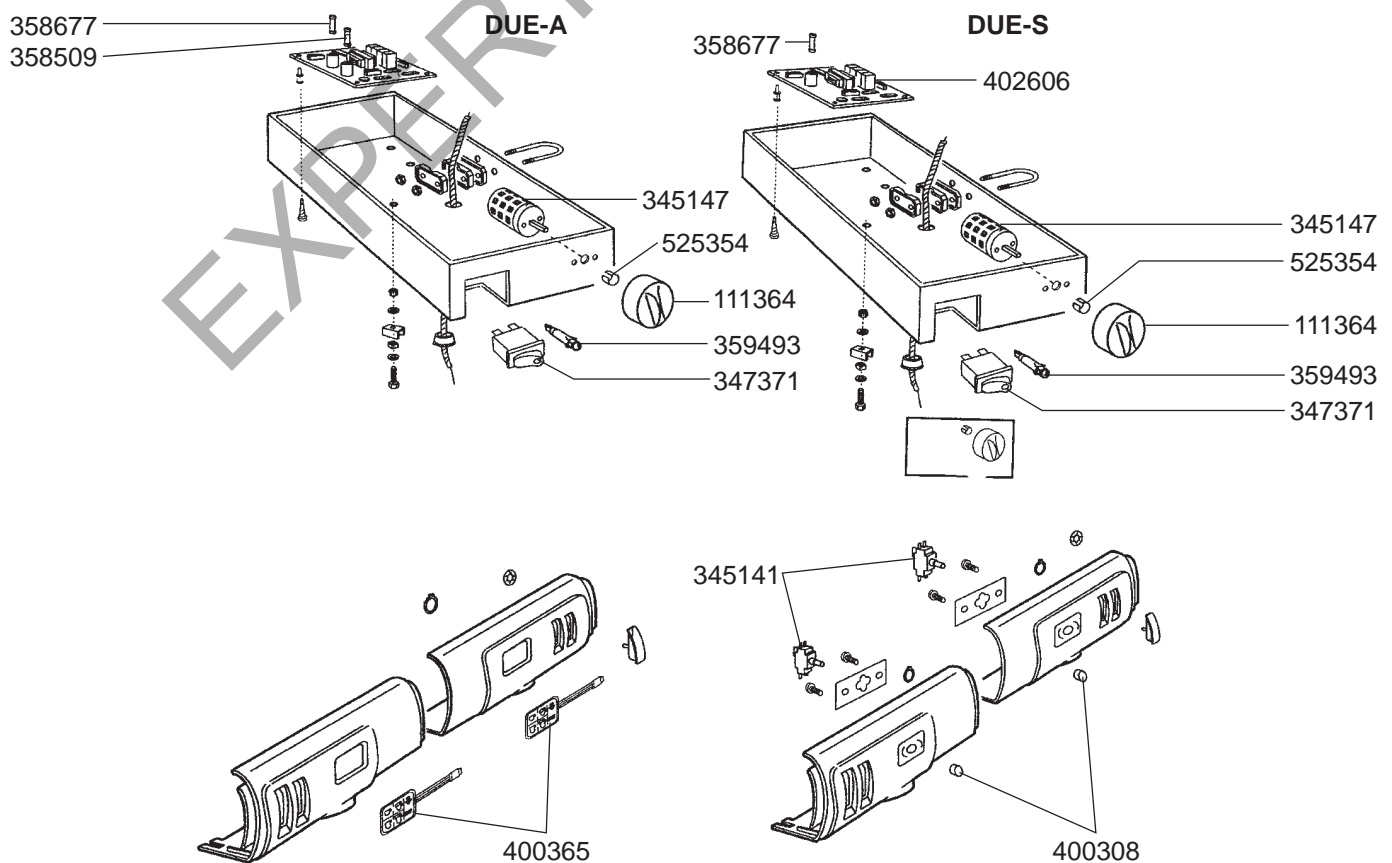
ELECTRICAL COMPONENTS E91



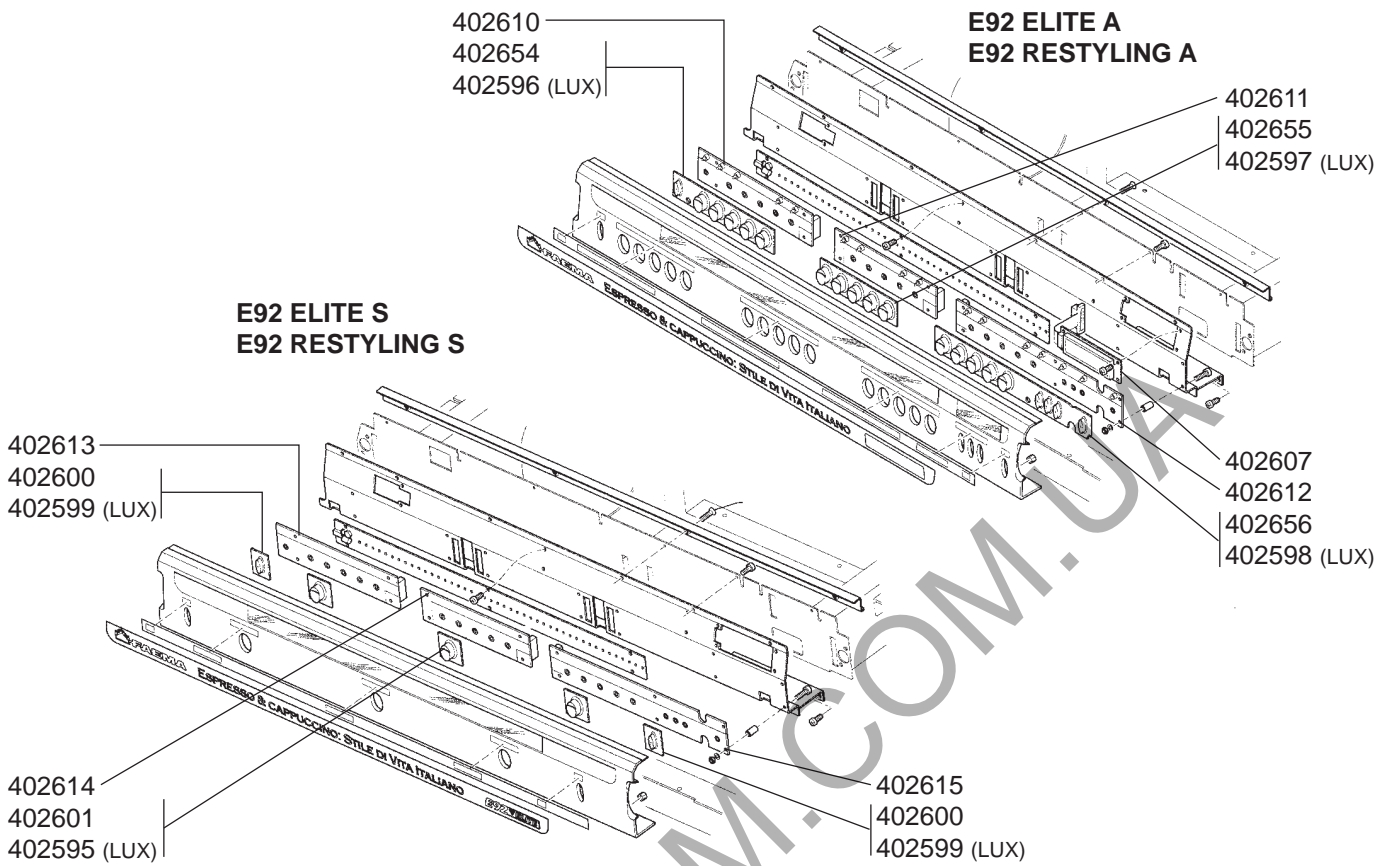
ELECTRICAL COMPONENTS E91



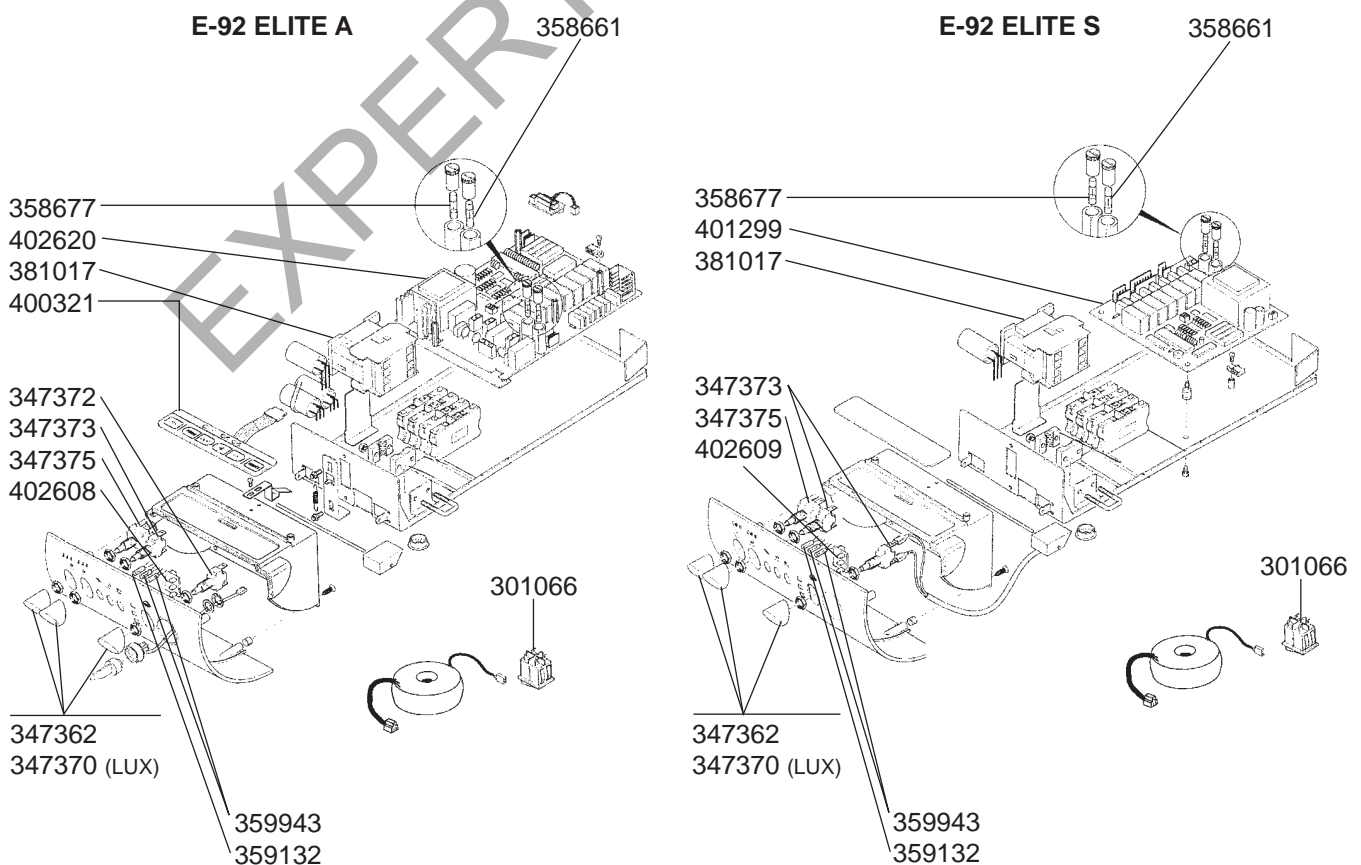
ELECTRICAL COMPONENTS DUE A/S



ELECTRICAL COMPONENTS E92

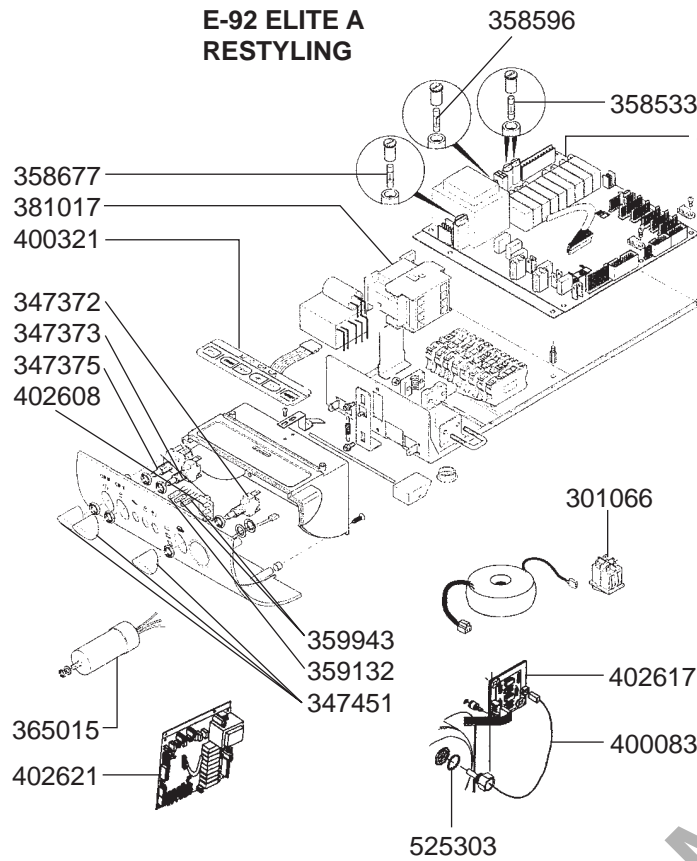


ELECTRICAL COMPONENTS E92

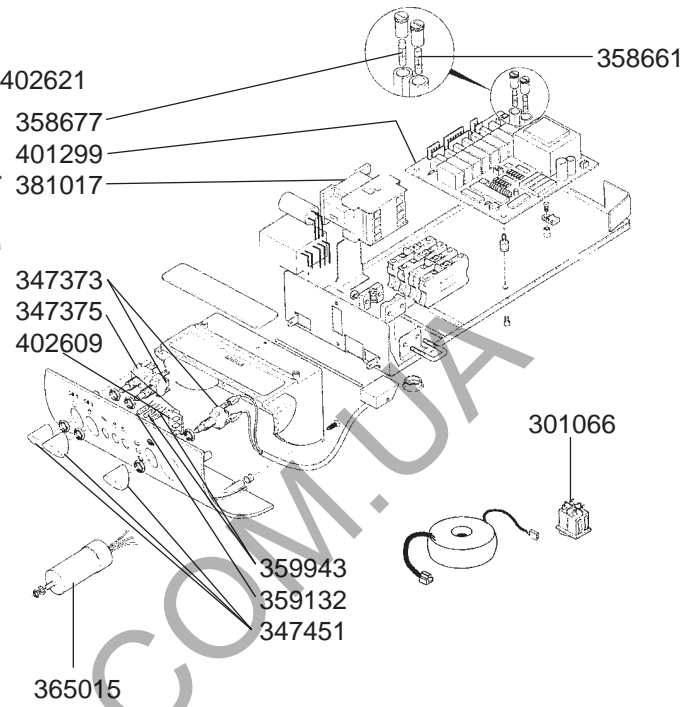


ELECTRICAL COMPONENTS E92

**E-92 ELITE A
RESTYLING**

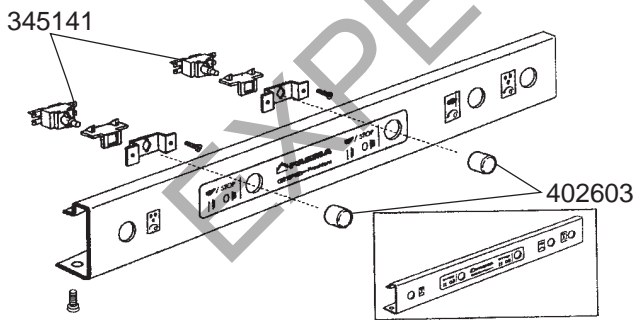


E-92 RESTYLING S

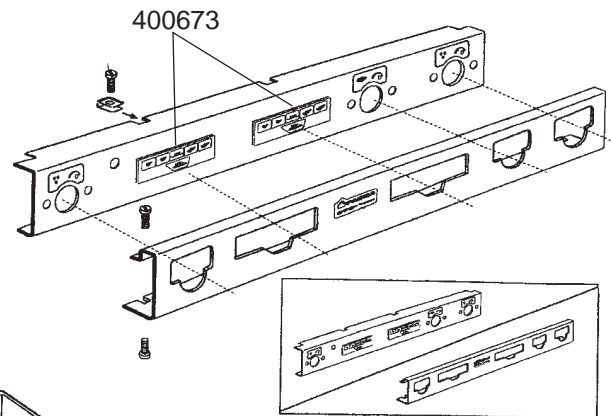


ELECTRICAL COMPONENTS E98

E-98 PRESIDENT S



E-98 PRESIDENT A

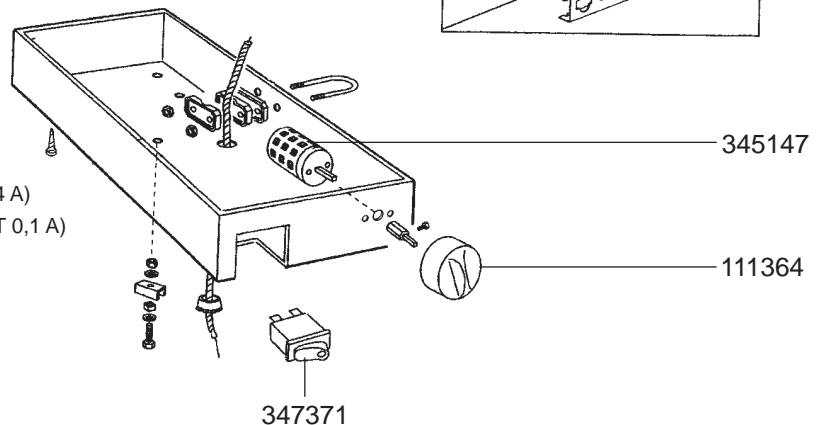


E-98 PRESIDENT S/A

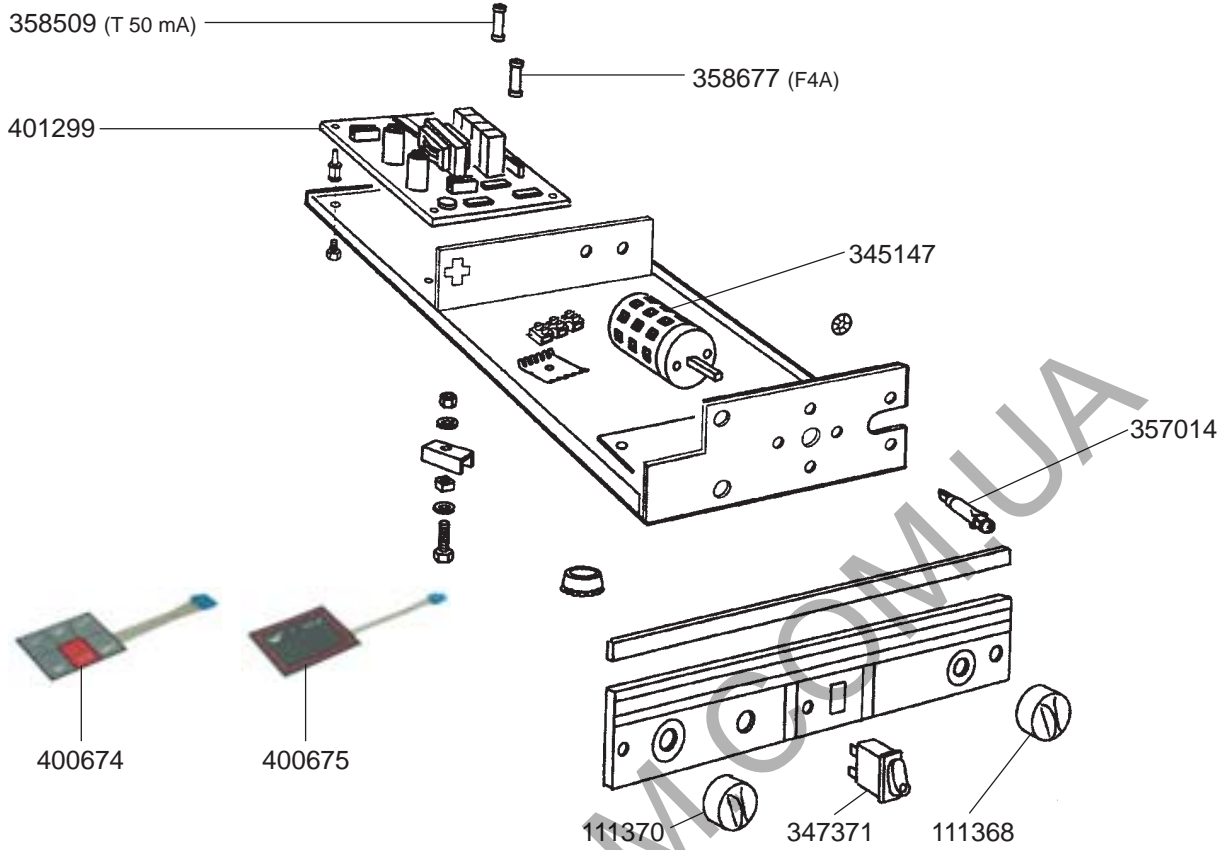
402606 (S)
401299 (A)



358677 (4 A)
358661 (T 0,1 A)

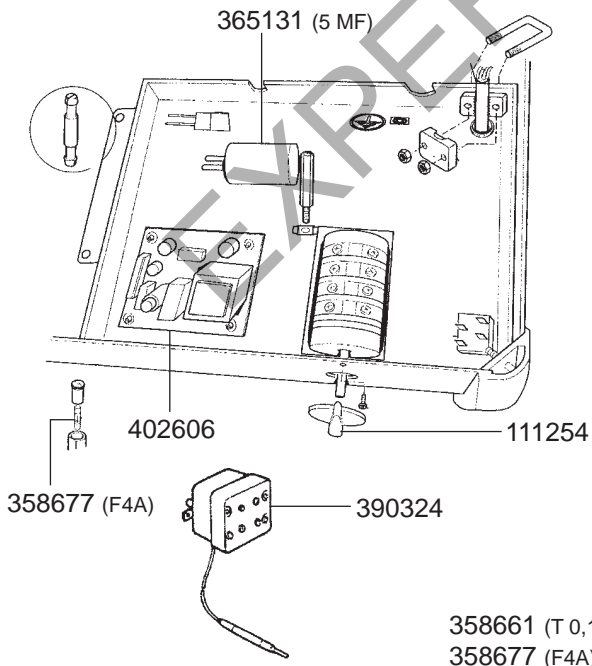


ELECTRICAL COMPONENTS E97 A/S

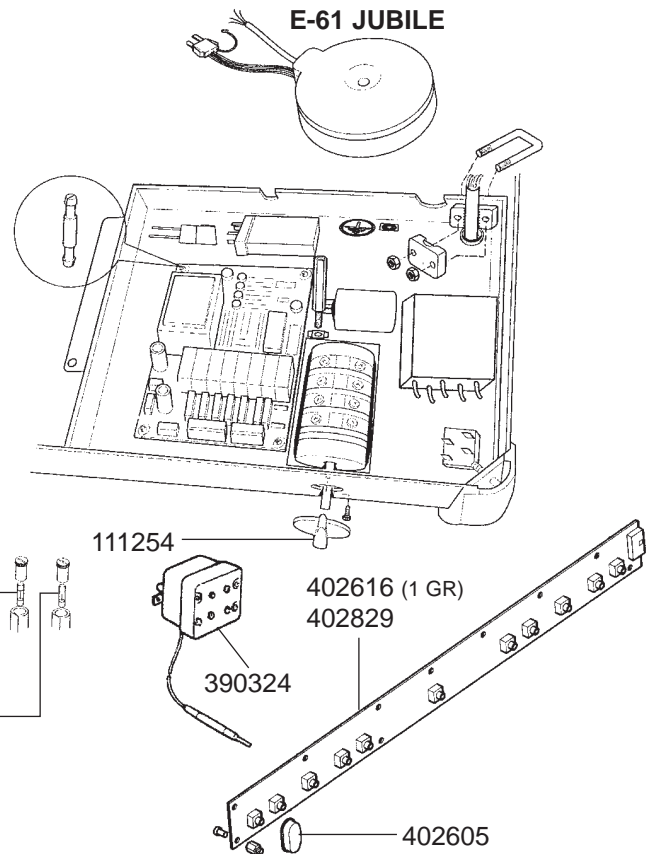


ELECTRICAL COMPONENTS E61

E-61 LEGEND



E-61 JUBILE



ELECTRICAL COMPONENTS VARIOUS



ELECTRICAL COMPONENTS VARIOUS



ELECTRICAL COMPONENTS VARIOUS



345145
(P4-P6)



345147
(NO-STOP, STAR-TRONIC, SPECIAL, EXPRESS, E-91, DUE)



345150
(COMPACT)



110205



345033
(SWITCH)



345142
(SWITCH)



345160
(SWITCH)



345141
(SWITCH, 2 POLES)



345130
(PUSH BUTTON, 1 POLE)



400308



346009
(CUP WARMER SWITCH)



345156
(E-61)



345269
(P4/P6)



346006
(NO-STOP)



346007
(STAR-TRONIC)



359043
(Ø 12 mm, 230 VAC, RED)



359138
(Ø 10 mm, 230 VAC, RED)



359140
(Ø 10 mm, 230 VAC, YELLOW)



359401
(Ø 8 mm, 230 VAC, RED)



400010
(RL70/1E/2C/8)



380137
(8 POLES)



400020
(L = 150 mm)

EXPERT-CM.COM