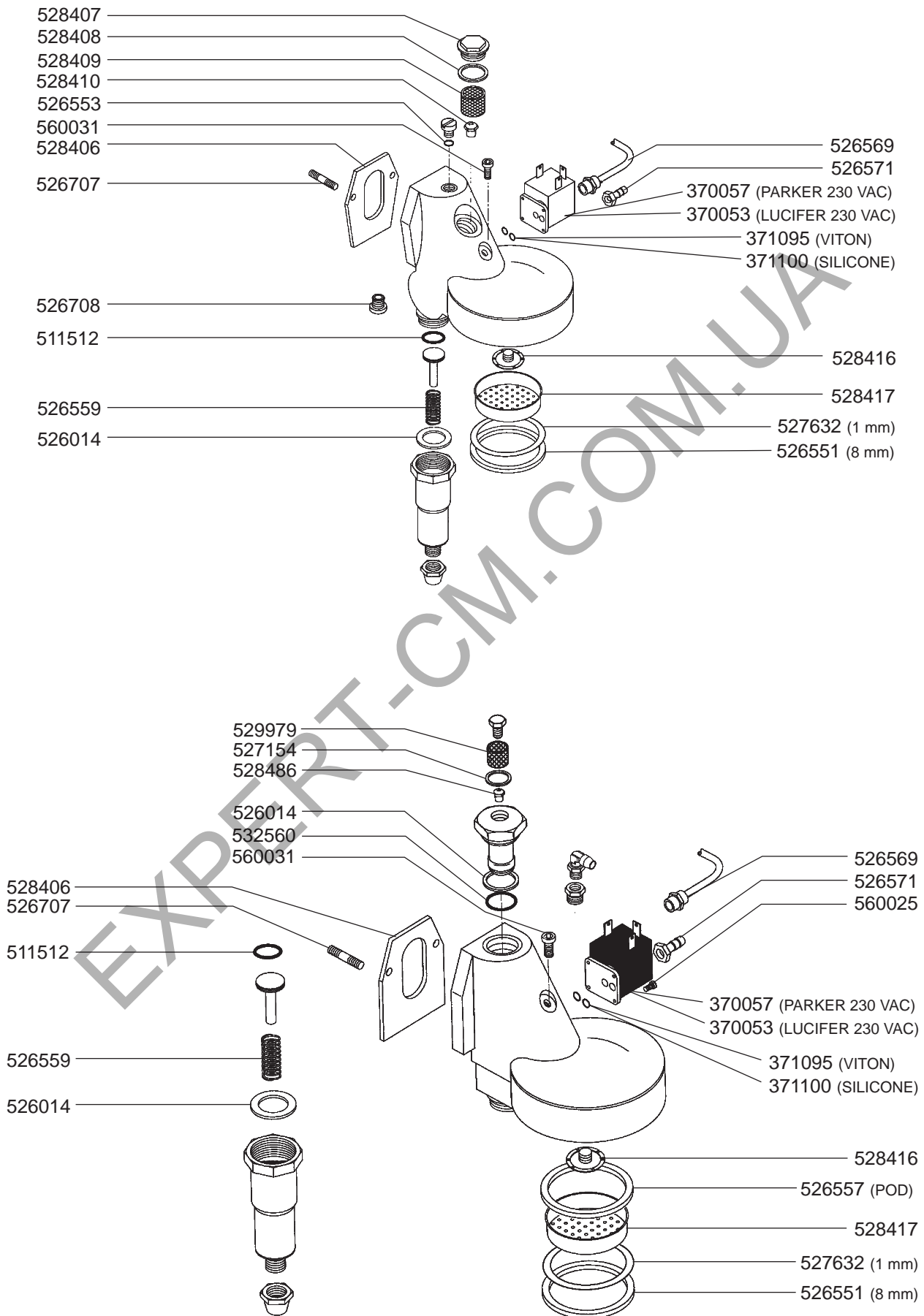
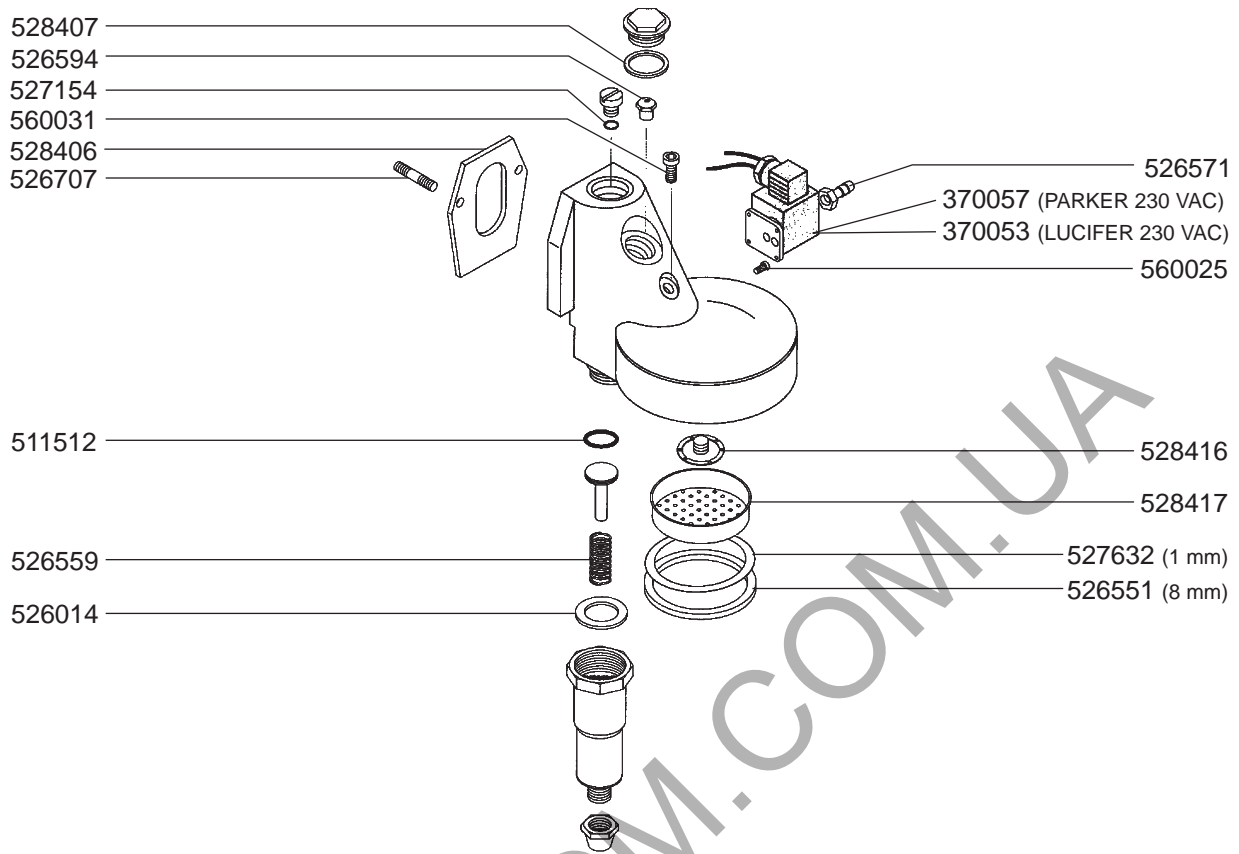


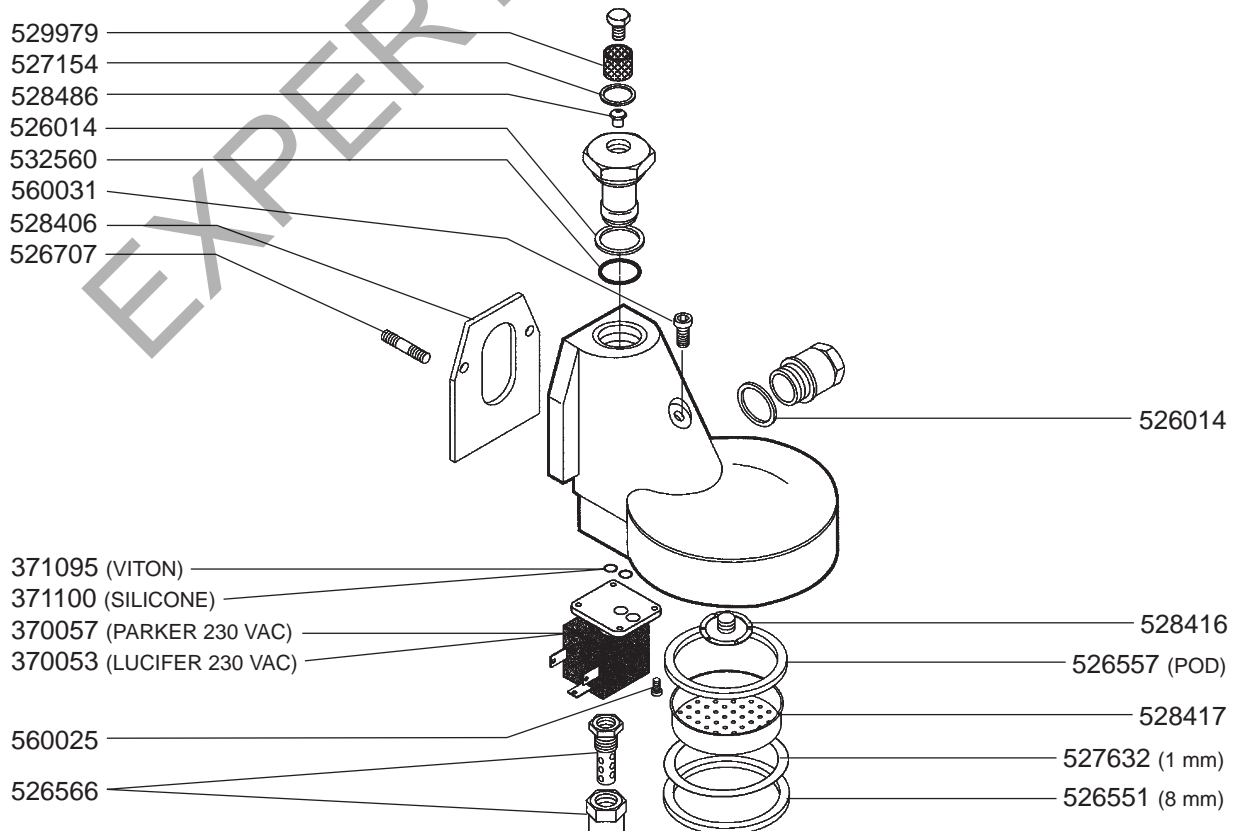
## SOLENOID GROUP



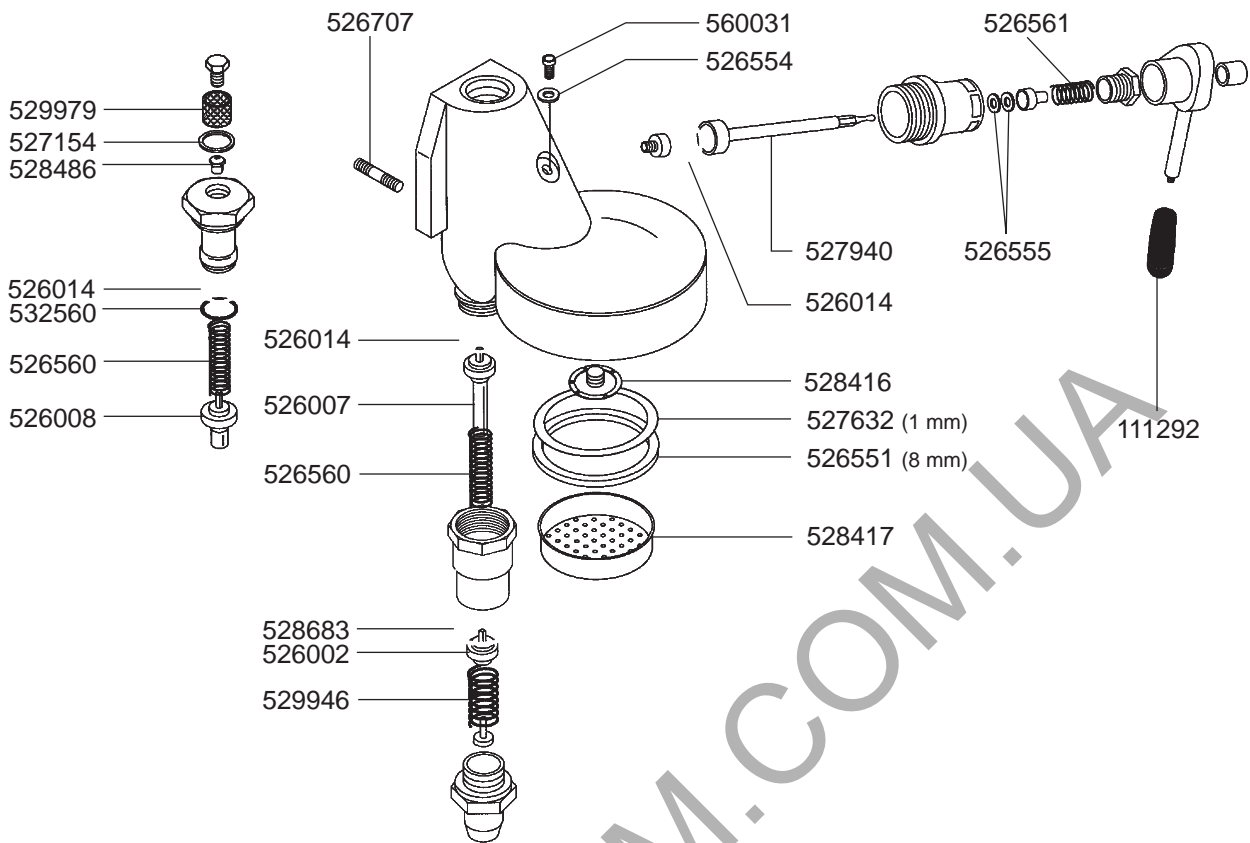
## BULLONE ROSSO SOLENOID GROUP



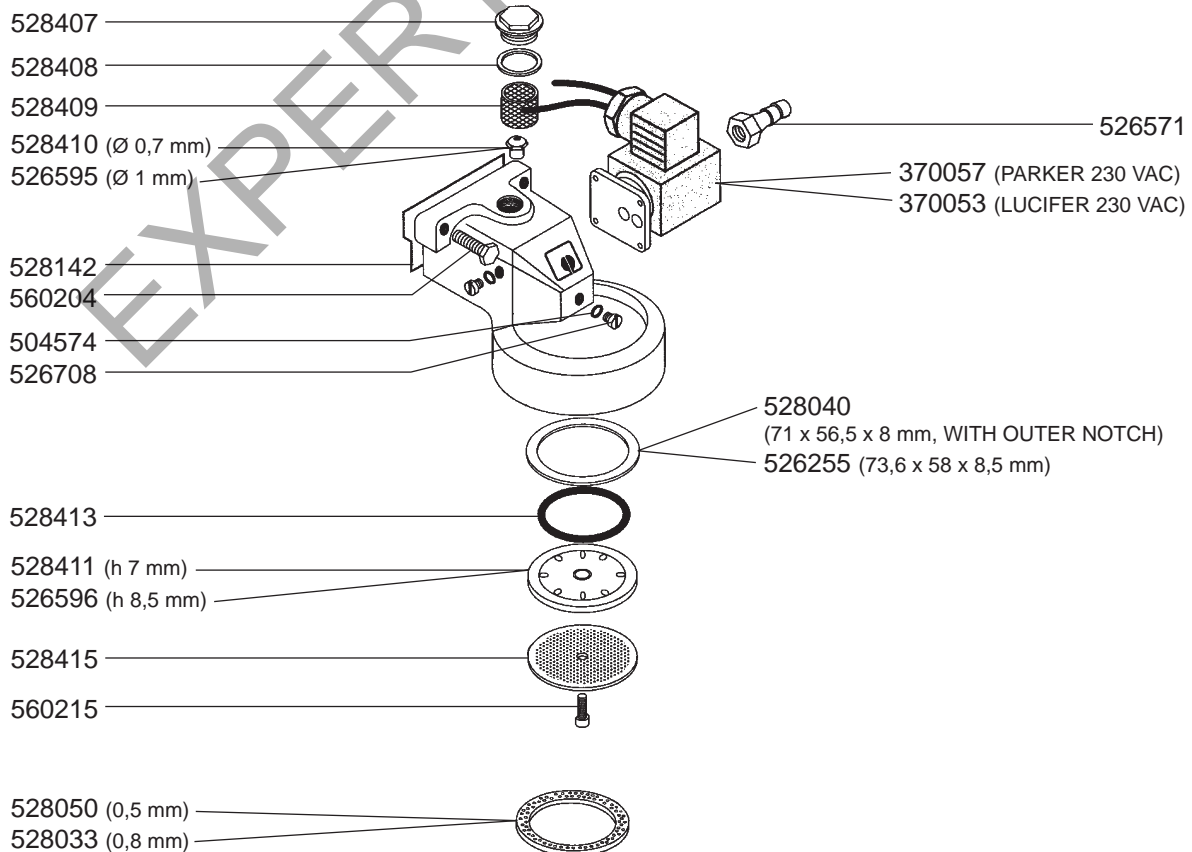
## SOLENOID GROUP



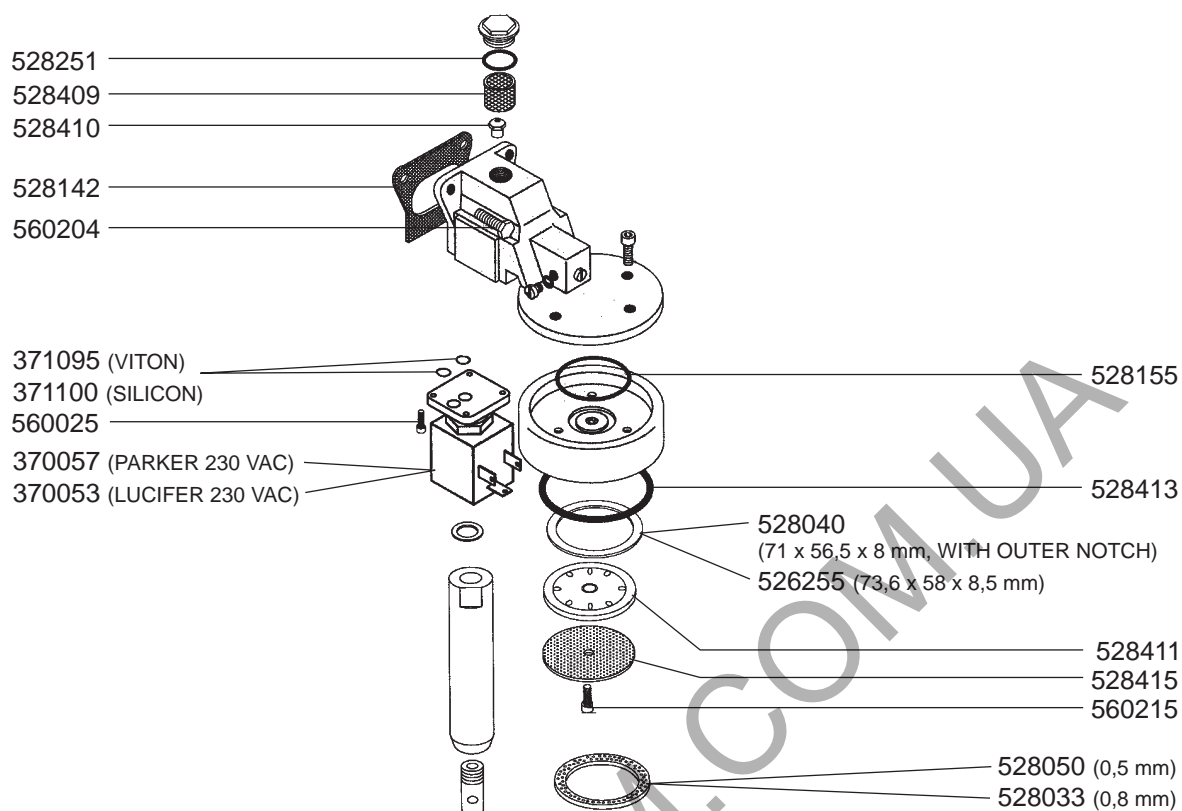
## MANUAL GROUP



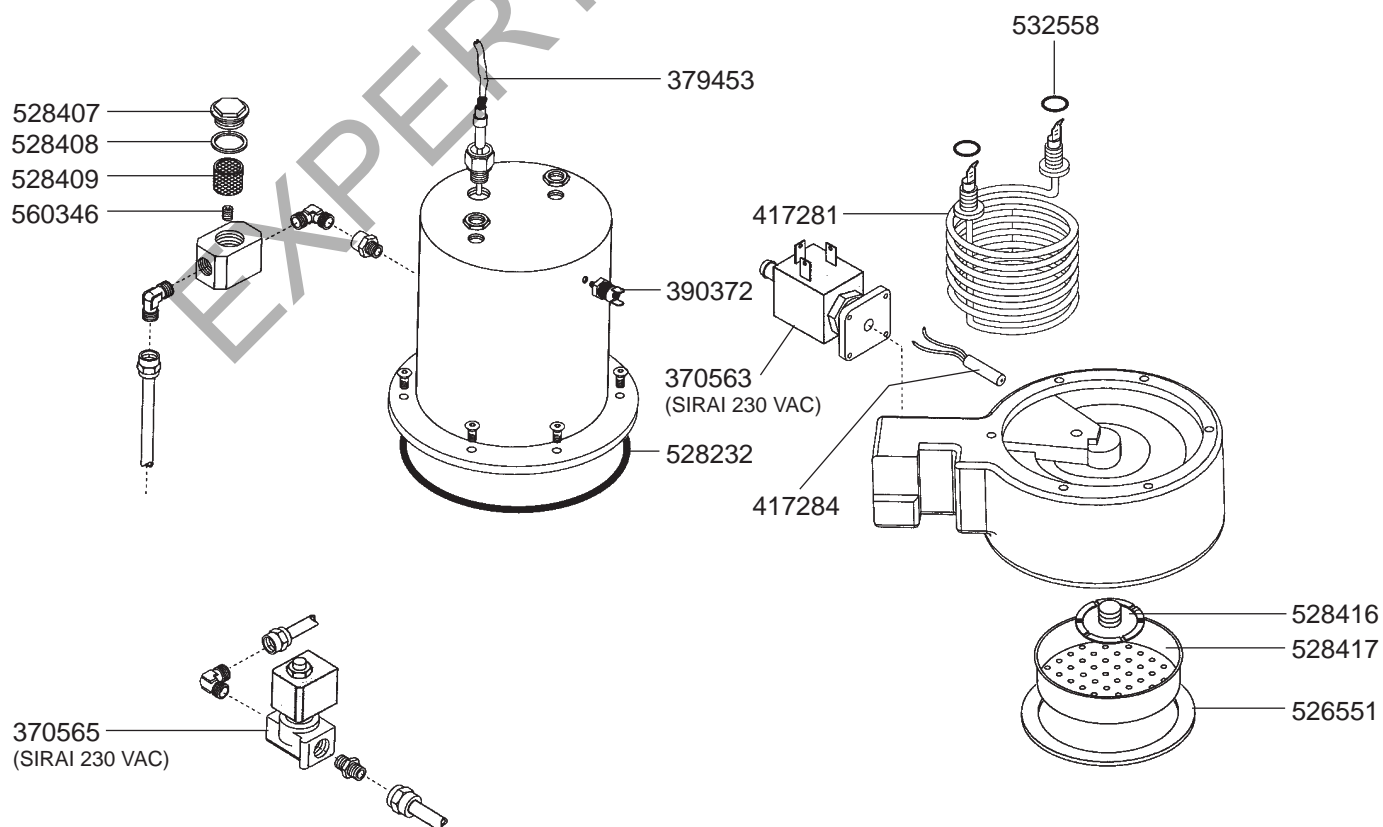
## SOLENOID GROUP



## SOLENOID GROUP



## SOLENOID GROUP OPUS SUBLIMA





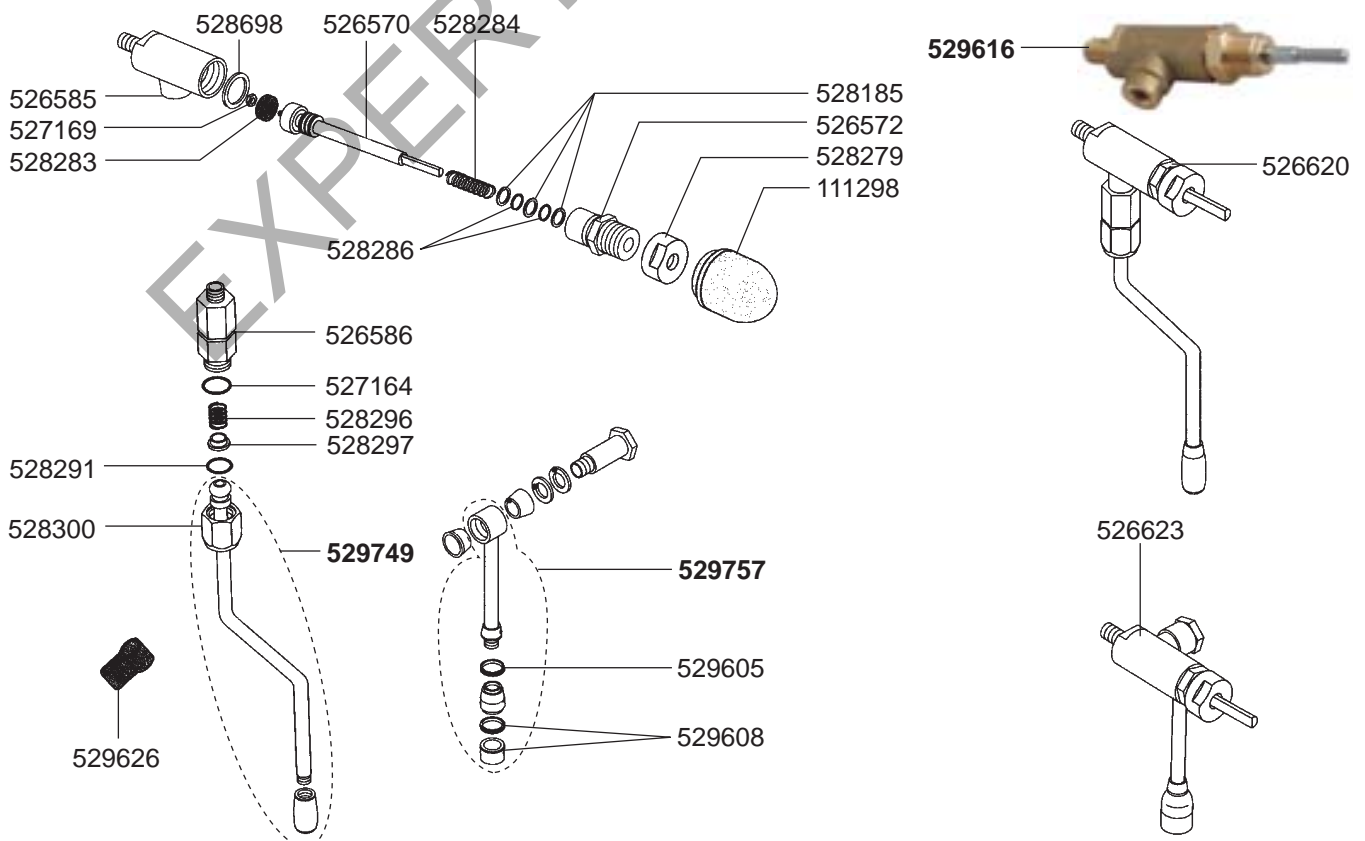
# BRASILIA – ESPRESSO MACHINES

1  
ESPRESSO MACHINES

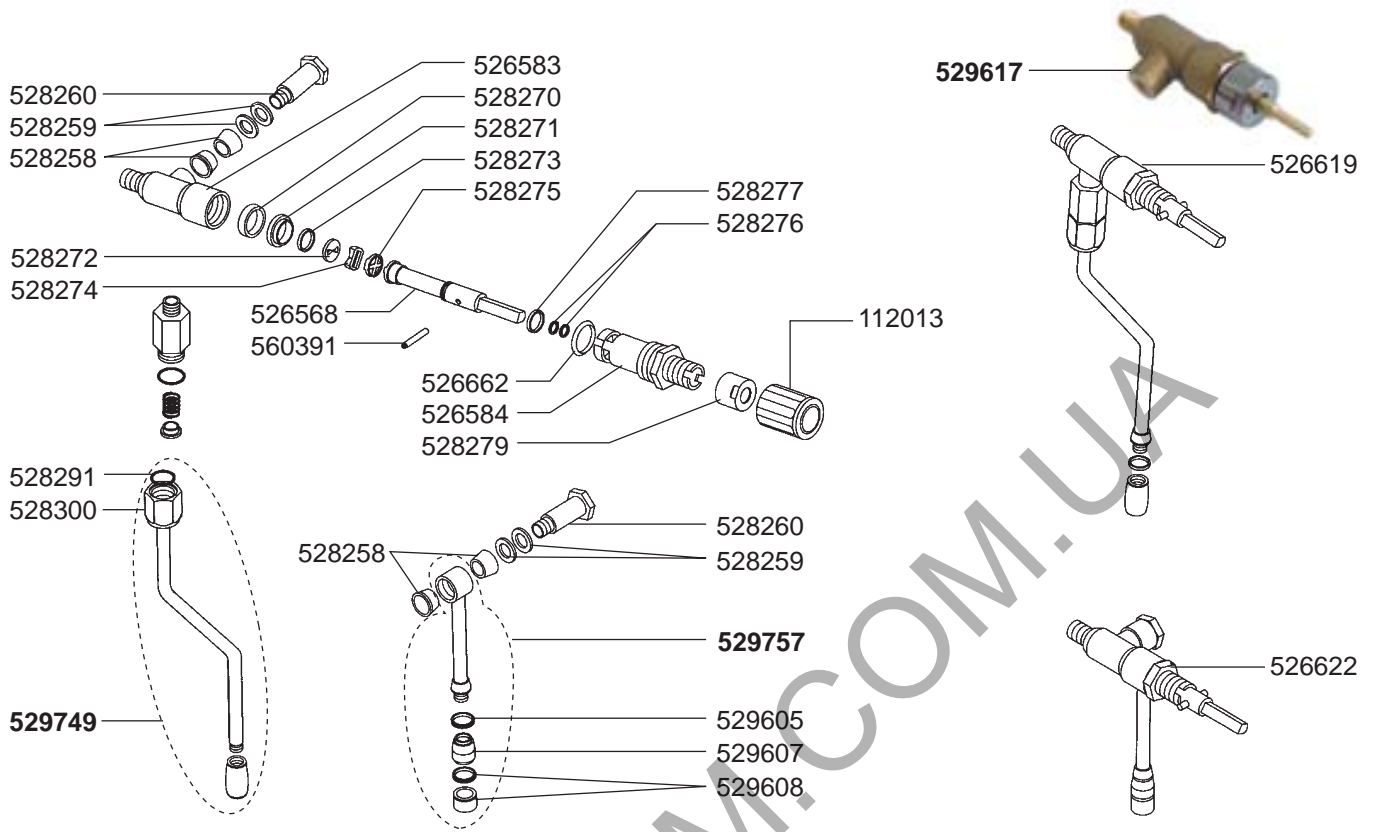
## FILTER HOLDERS



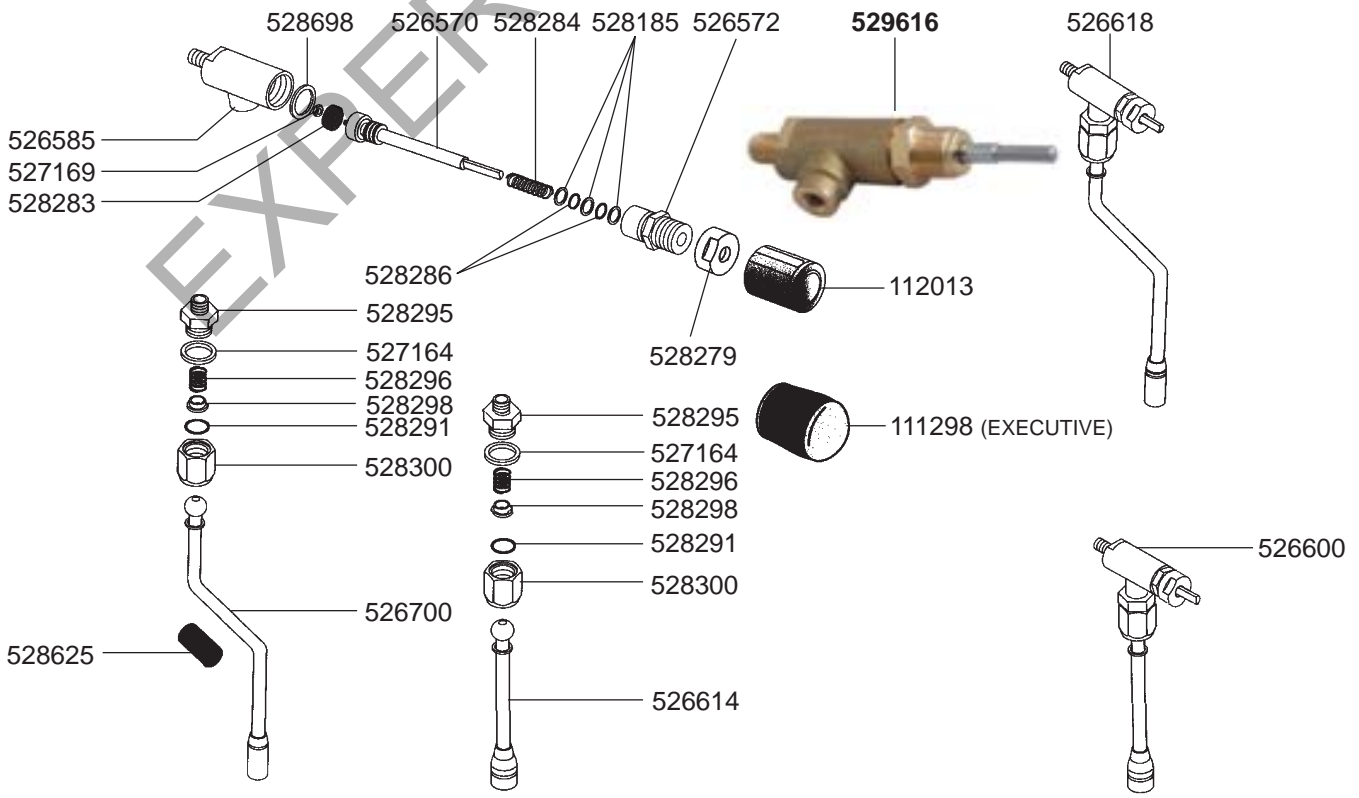
## STEAM/WATER TAPS GRADISCA



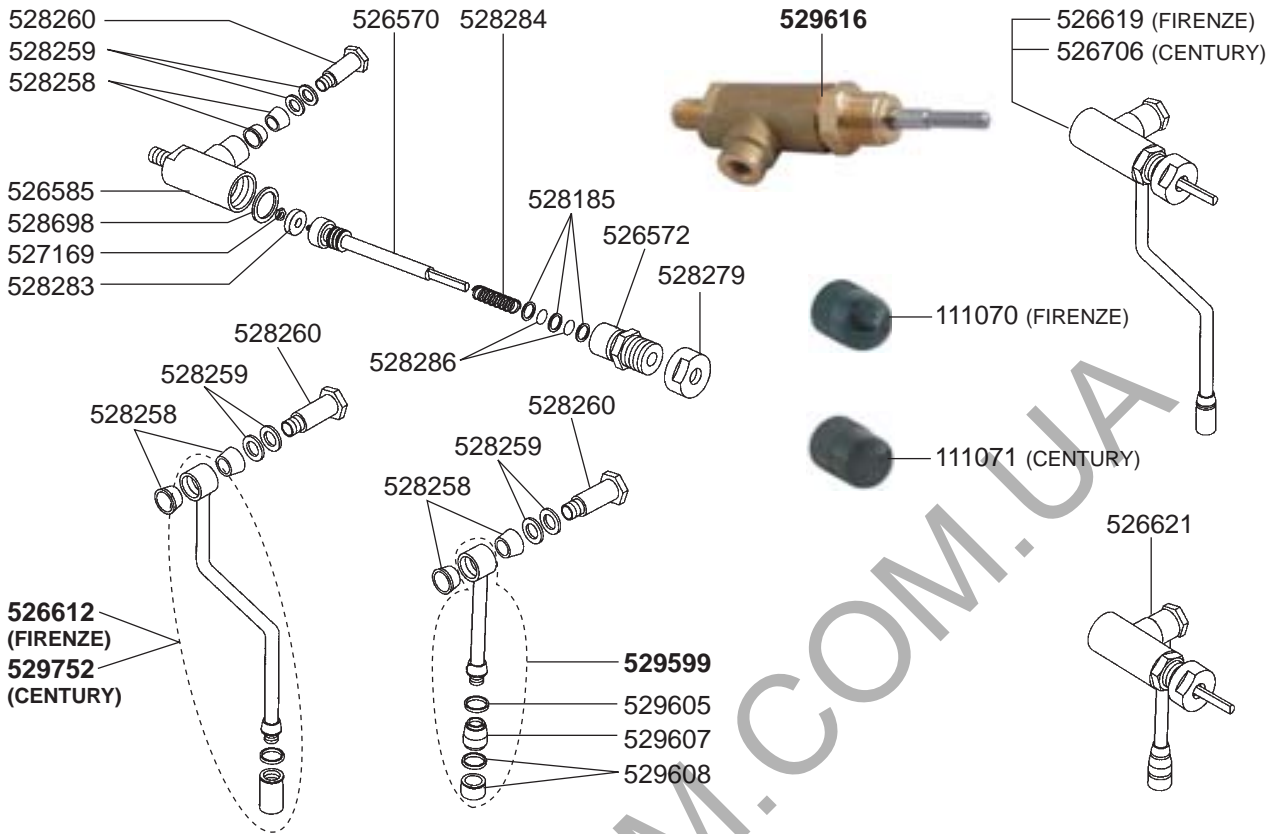
STEAM/WATER TAPS GRADISCA



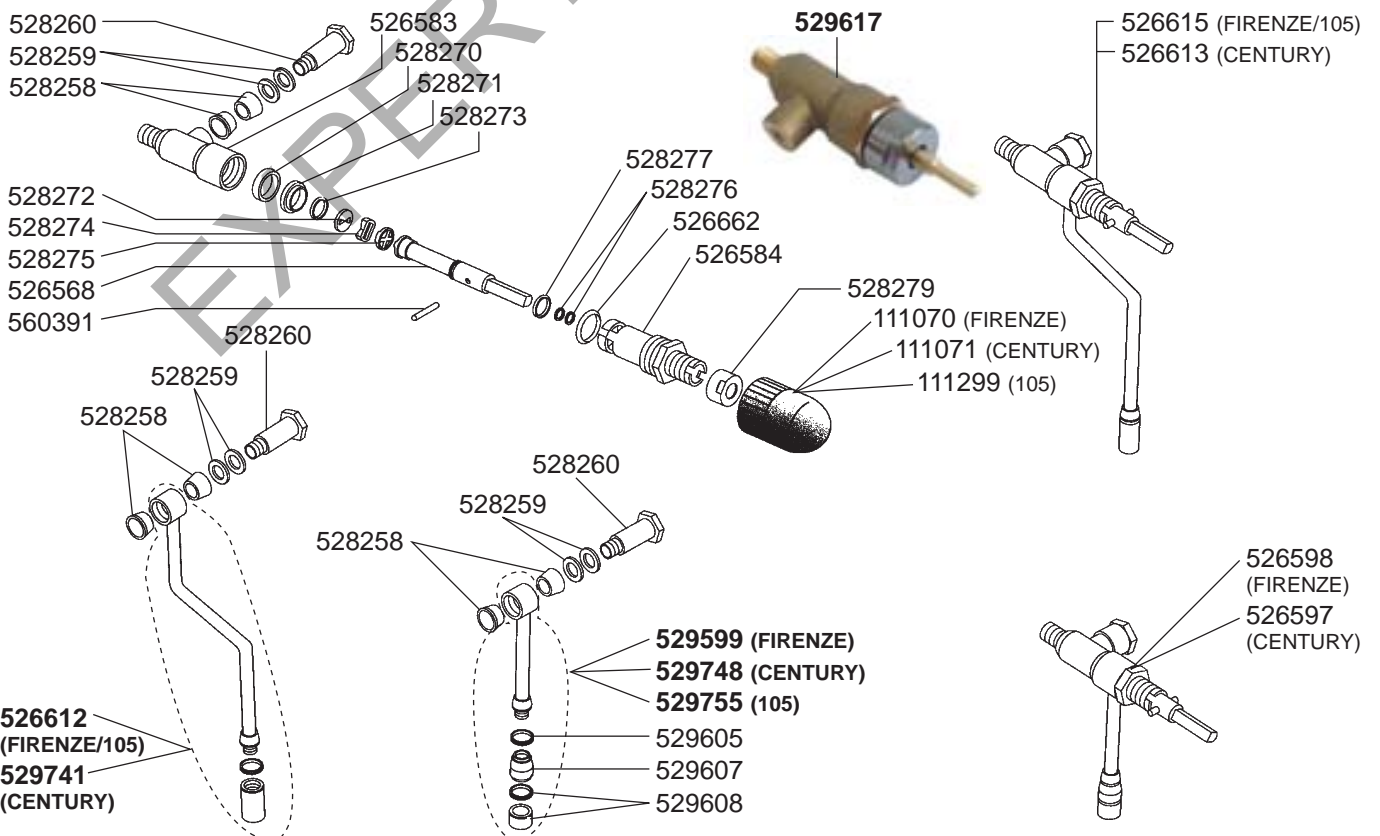
STEAM/WATER TAPS PORTOFINO/FIRENZE SL/205/EXECUTIVE



## STEAM/WATER TAPS FIRENZE/CENTURY

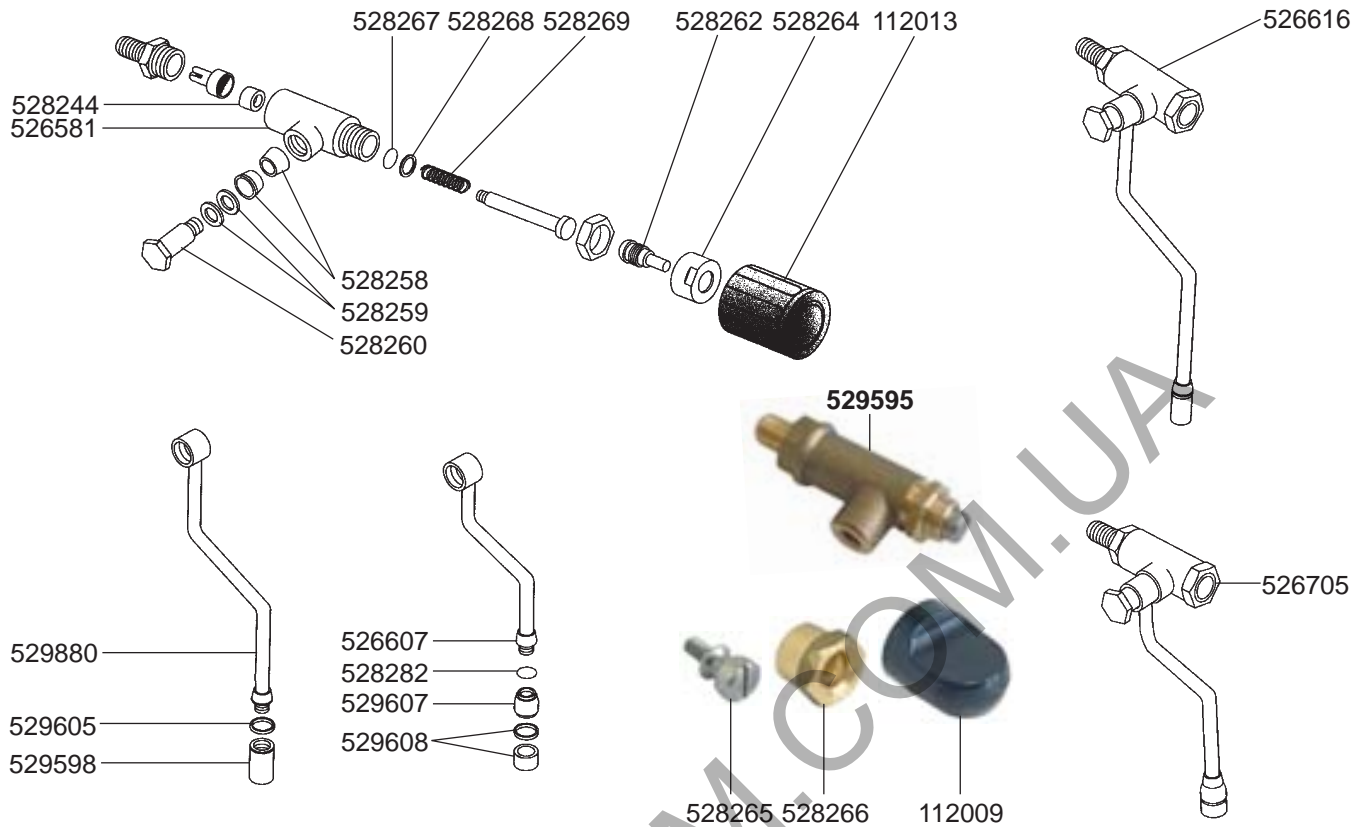


## STEAM/WATER TAPS FIRENZE/CENTURY/105

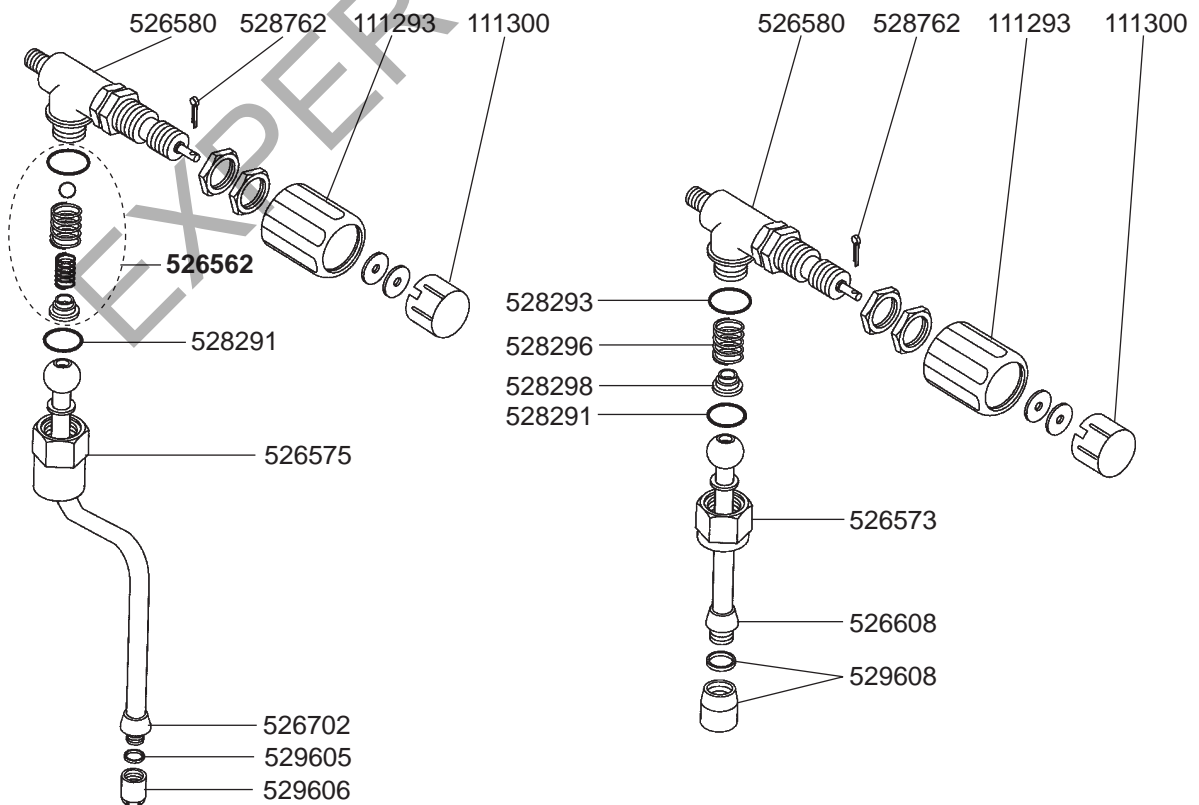




STEAM/WATER TAPS FIRENZE SL



STEAM/WATER TAPS ROMA

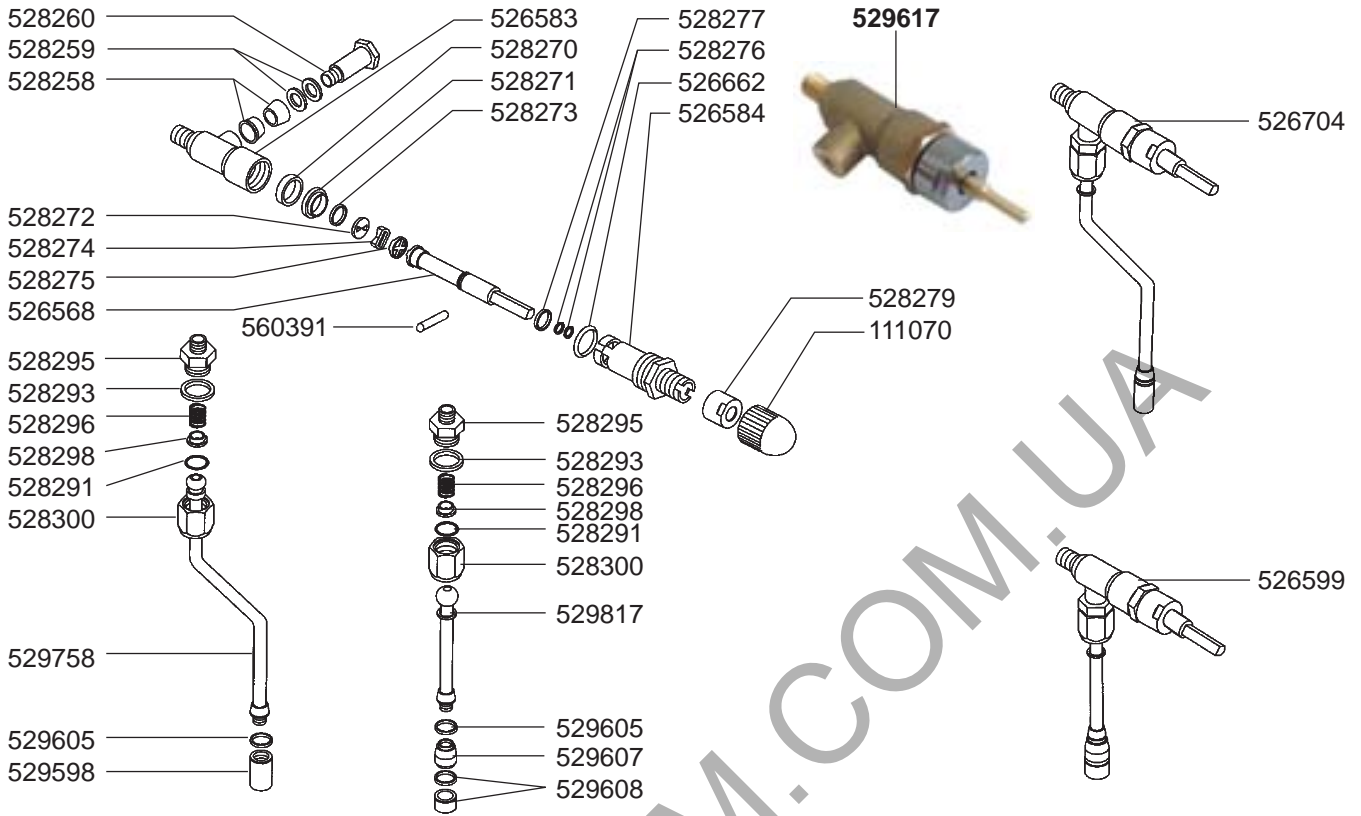




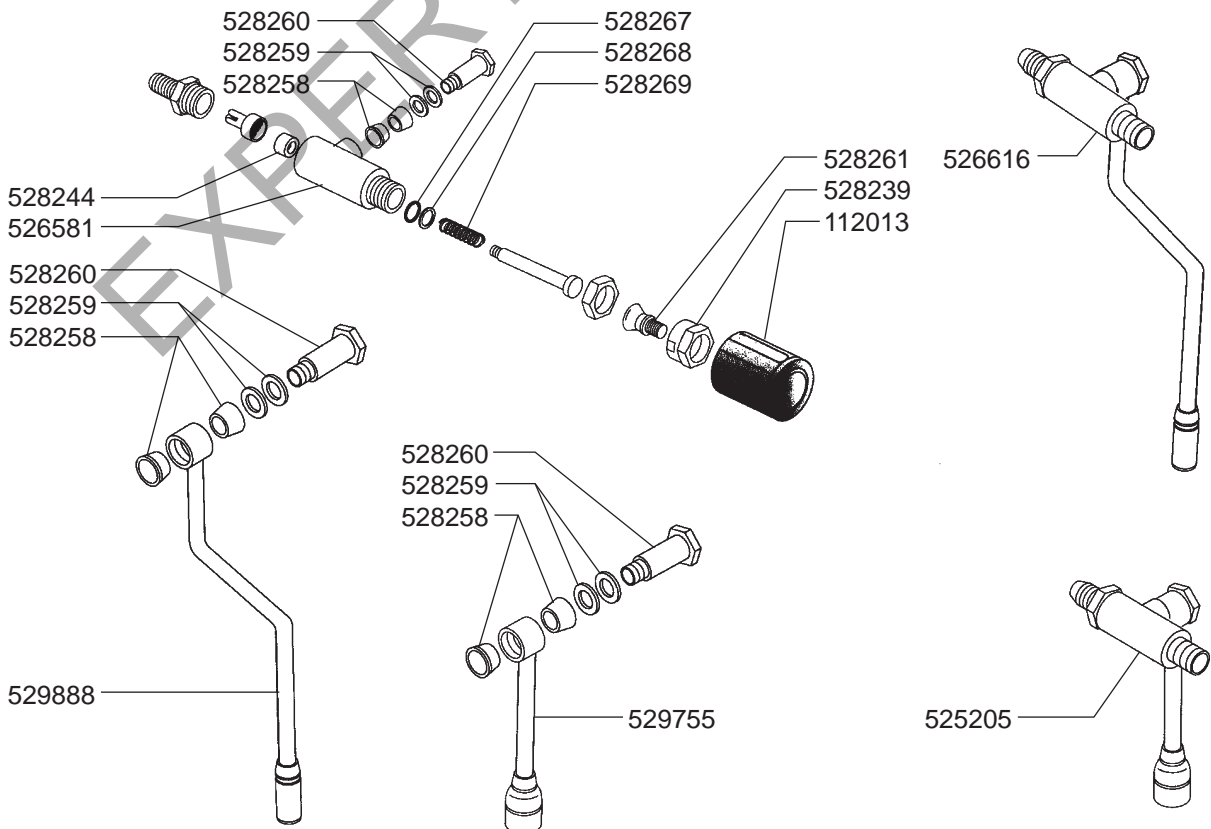
# BRASILIA – ESPRESSO MACHINES

1  
ESPRESSO MACHINES

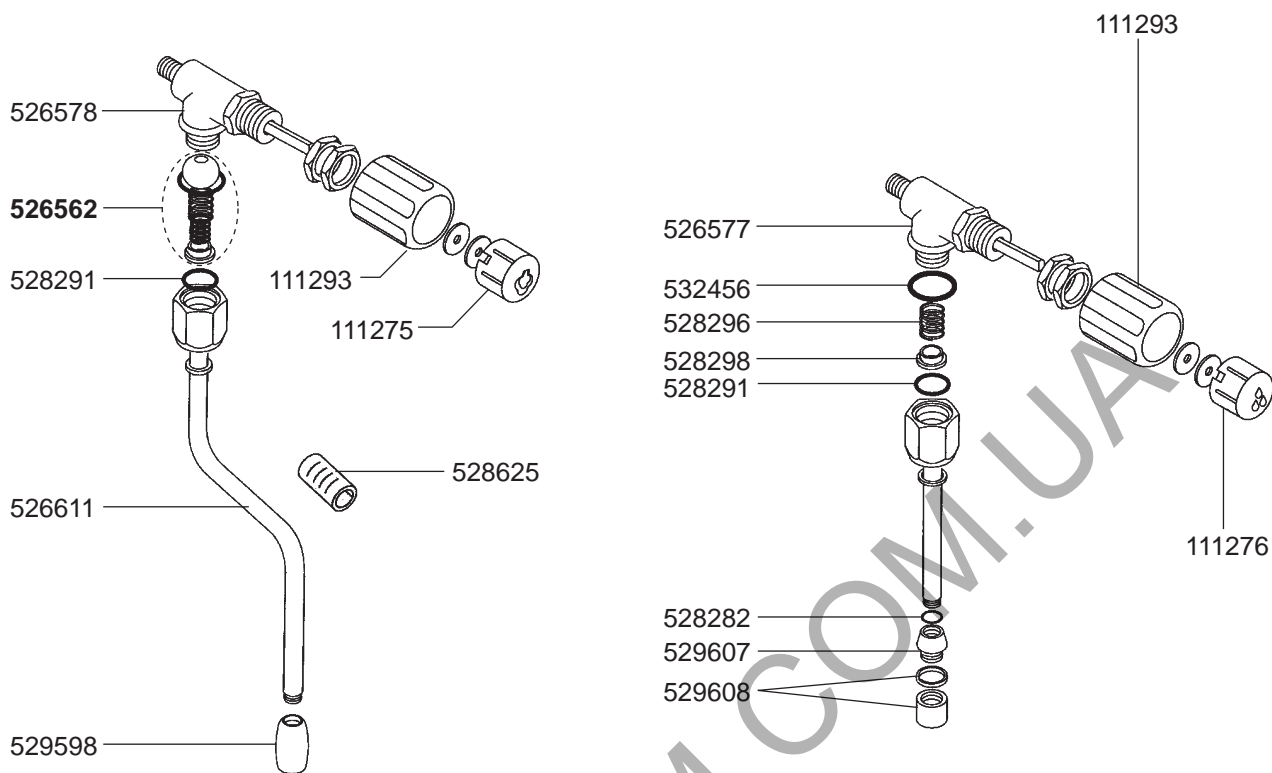
## STEAM/WATER TAPS 205



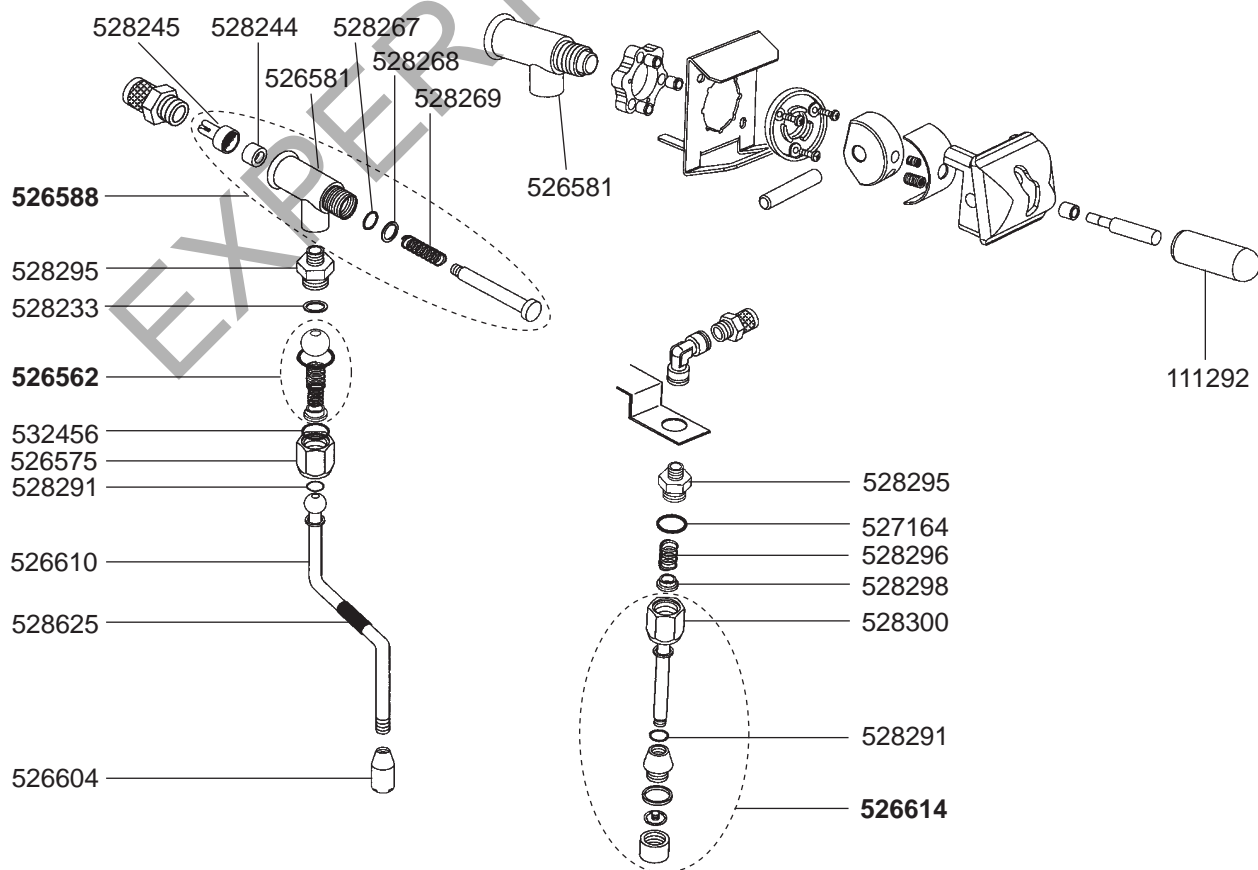
## STEAM/WATER TAPS 105SL



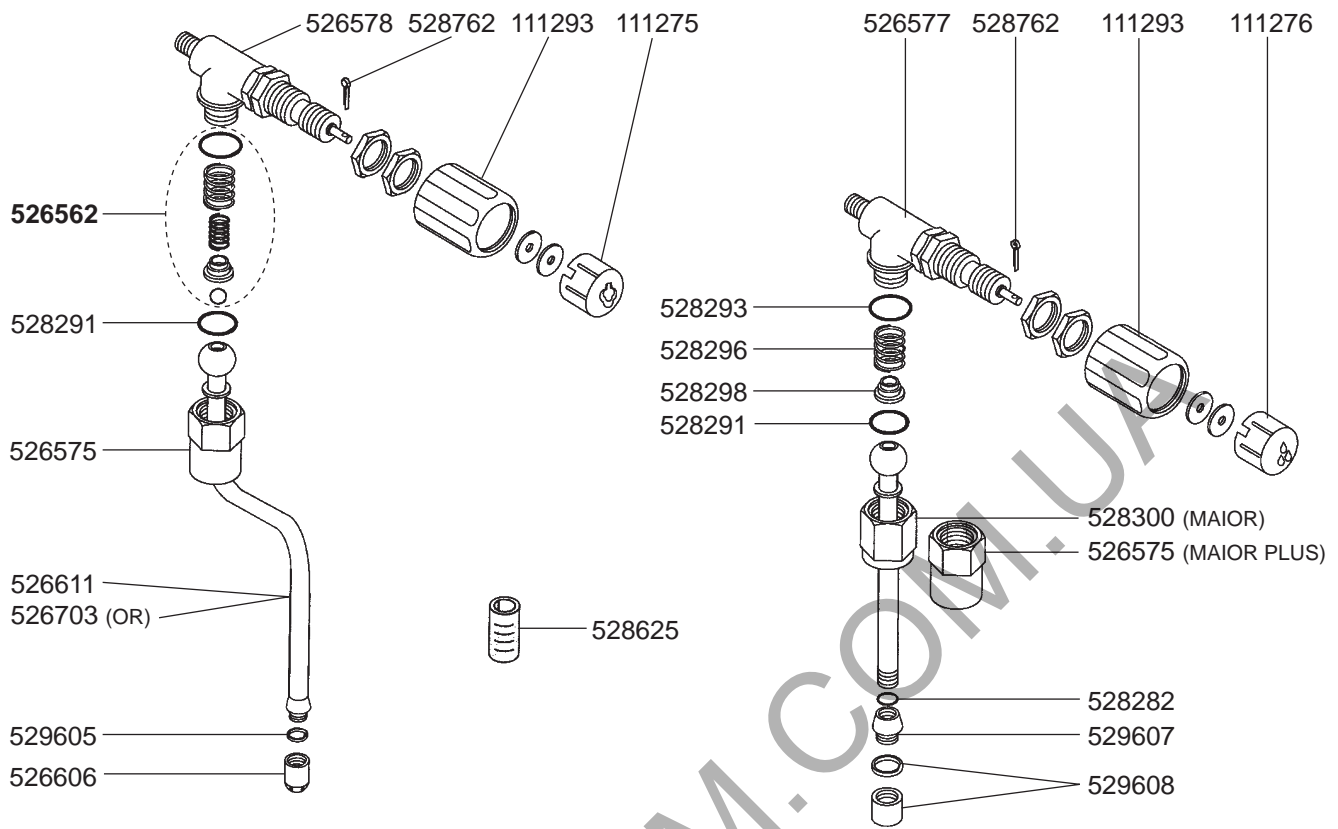
STEAM/WATER TAPS CADETTA



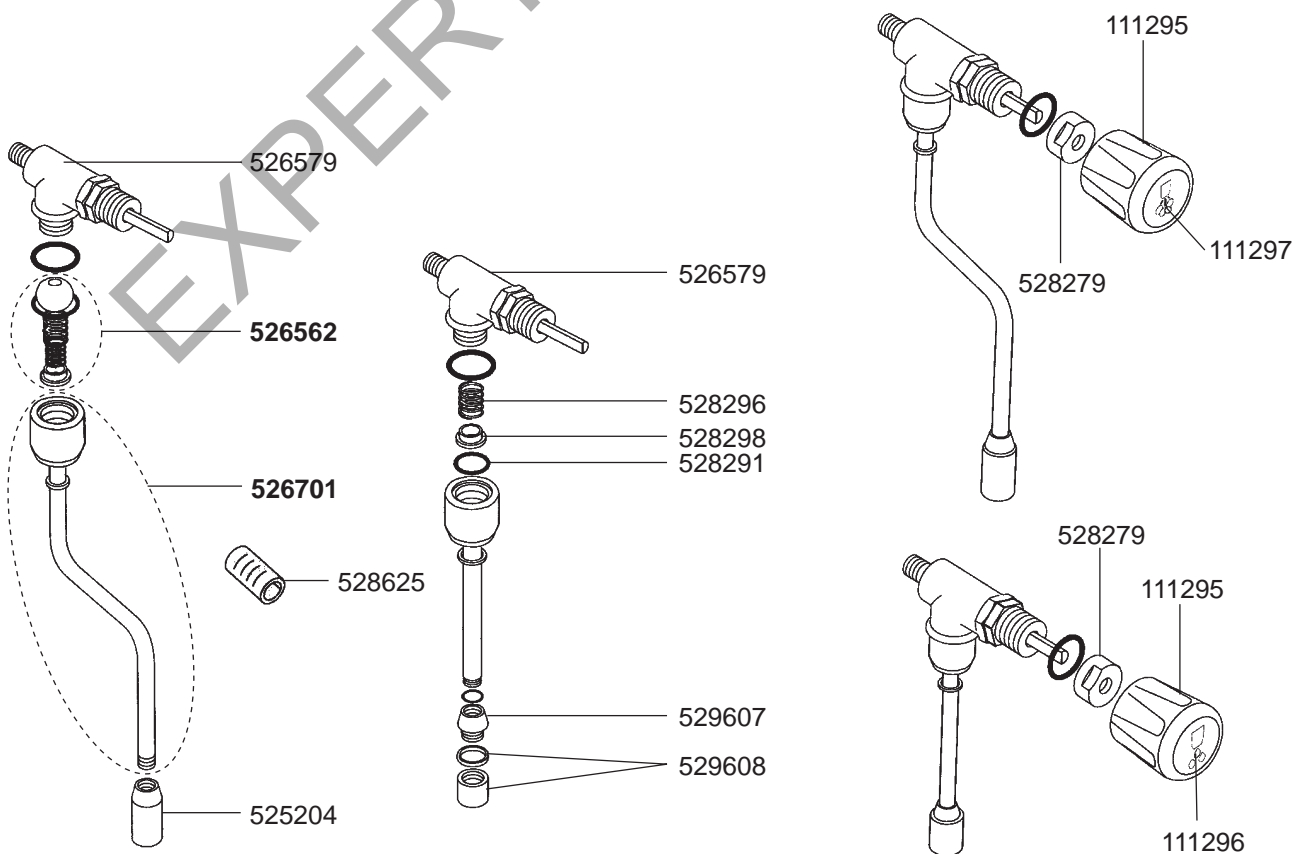
STEAM/WATER TAPS AGILE



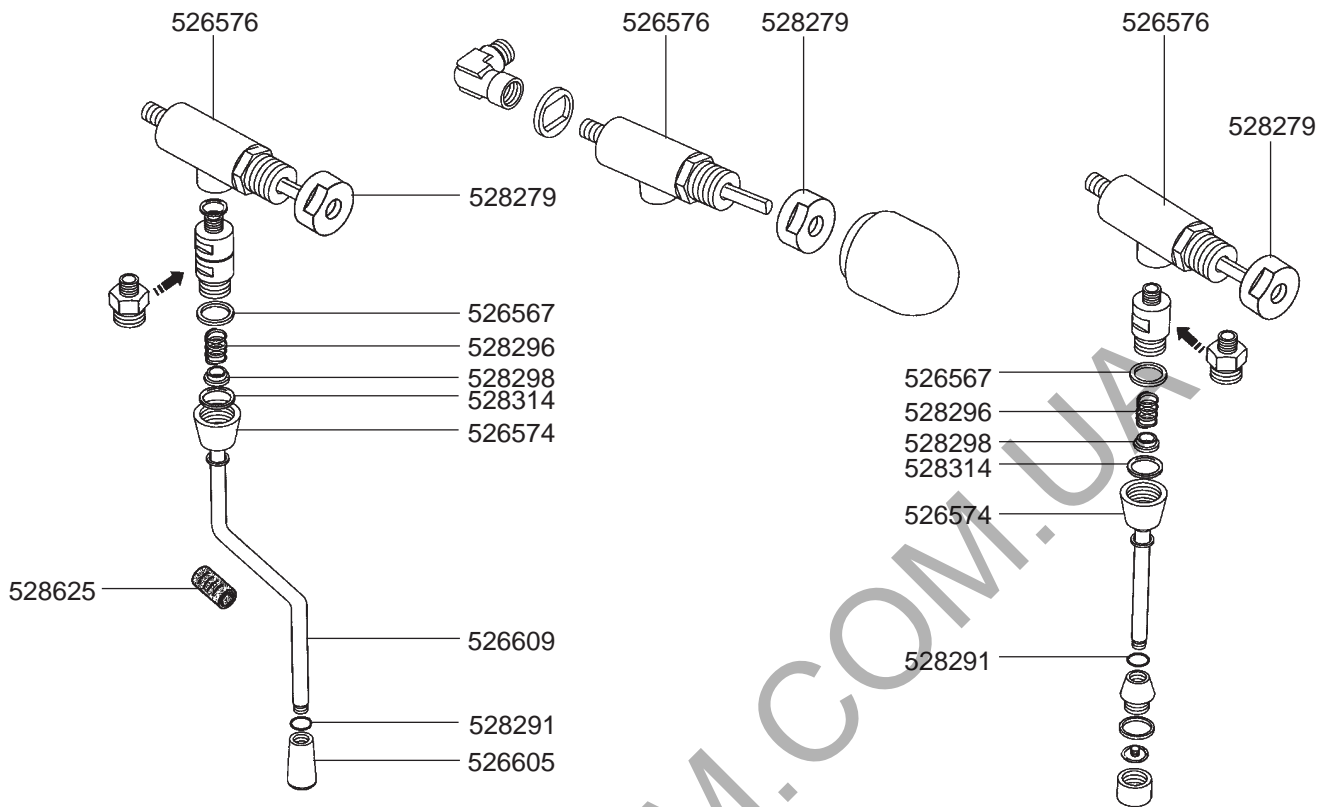
## STEAM/WATER TAPS MAIOR



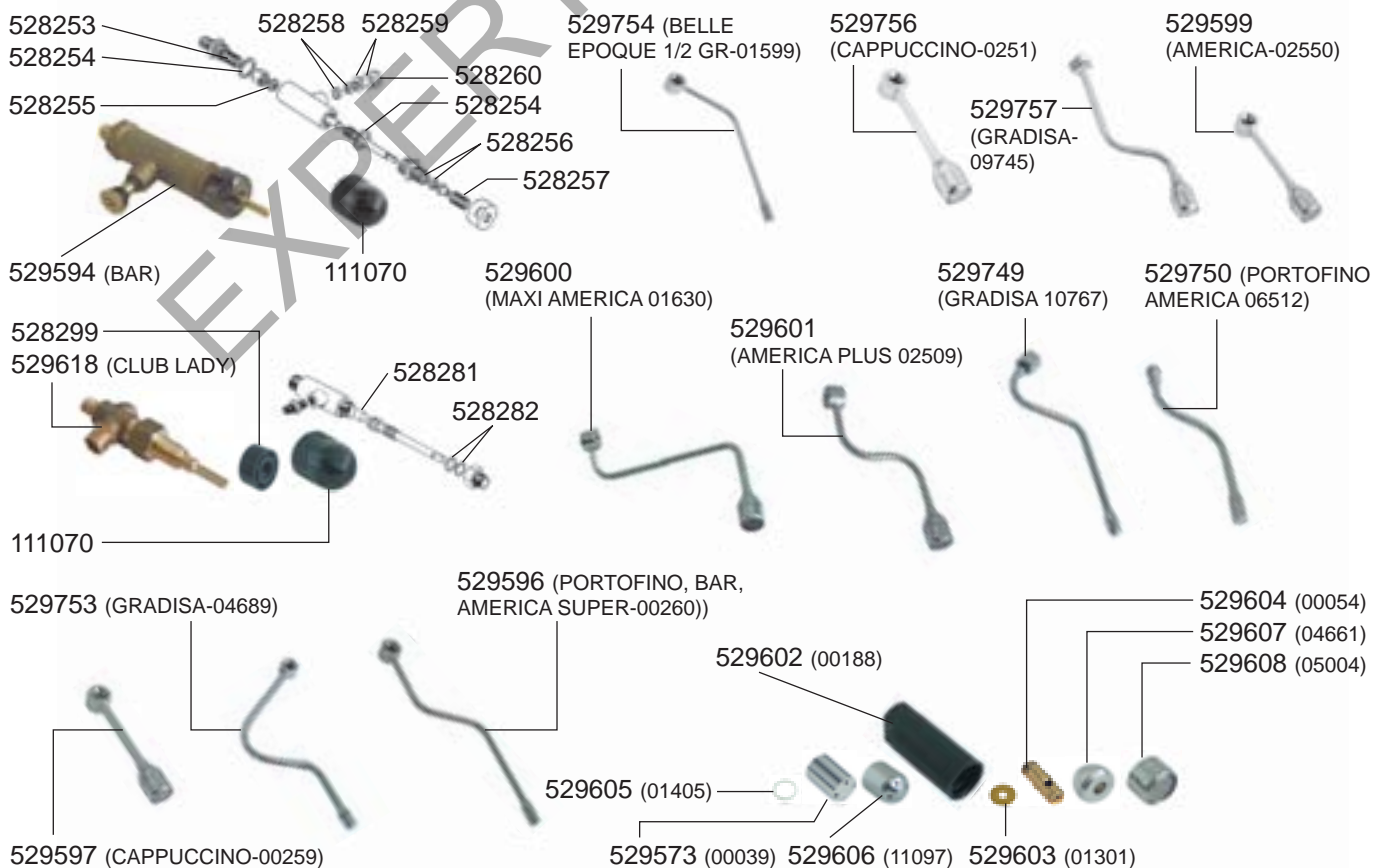
## STEAM/WATER TAPS OPUS



## STEAM/WATER TAPS EXCELSIOR

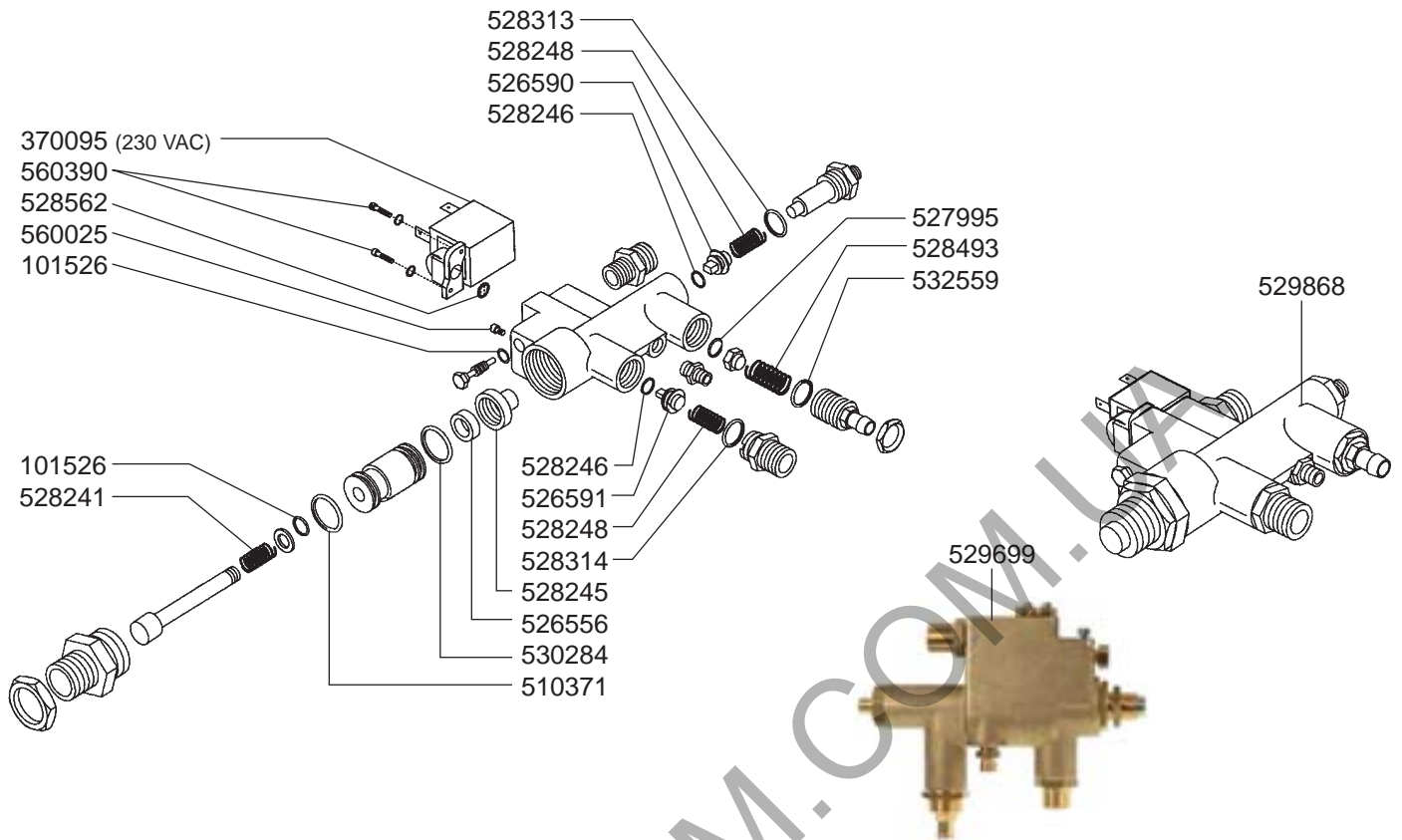


## STEAM/WATER TAPS/TAP-PIPES VARIOUS

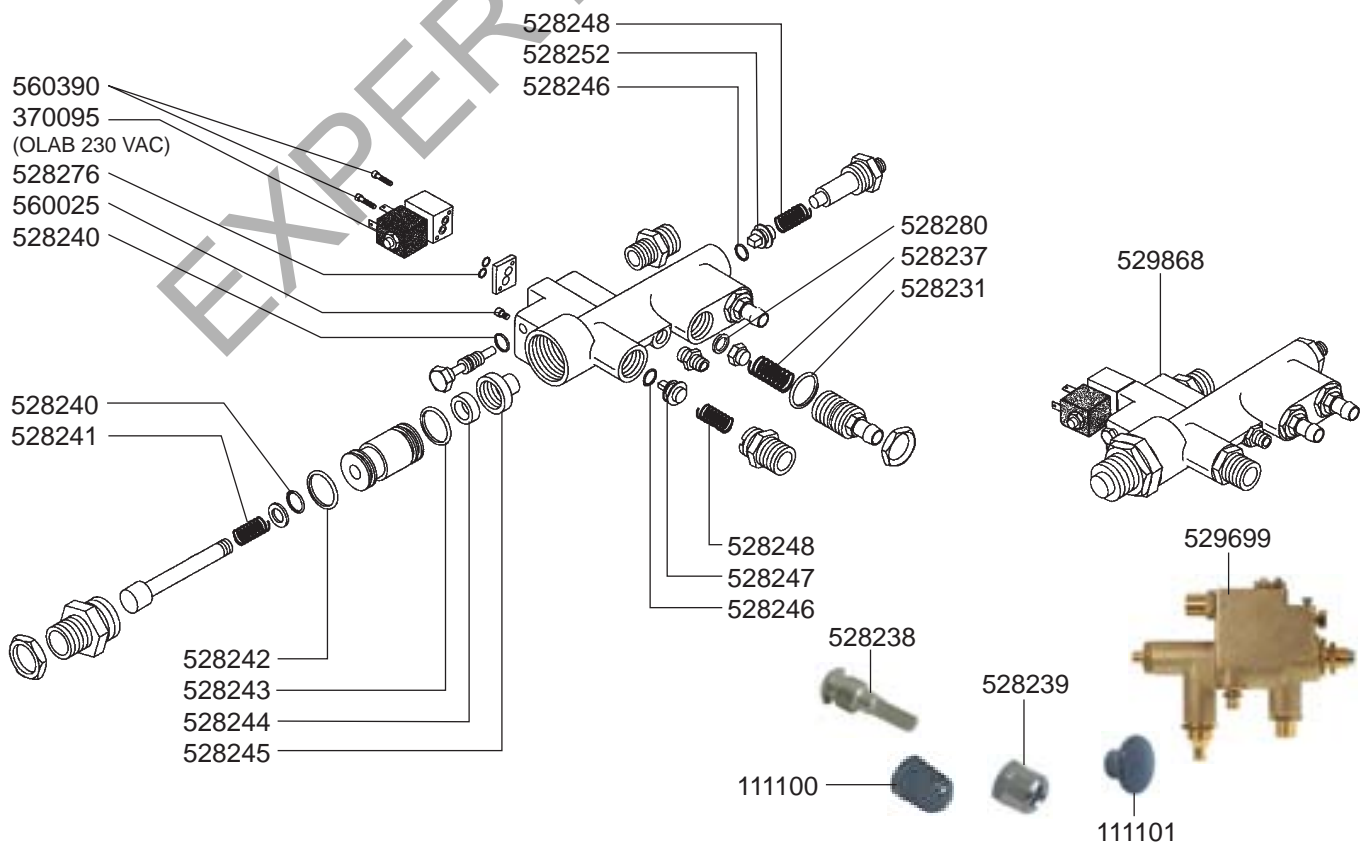




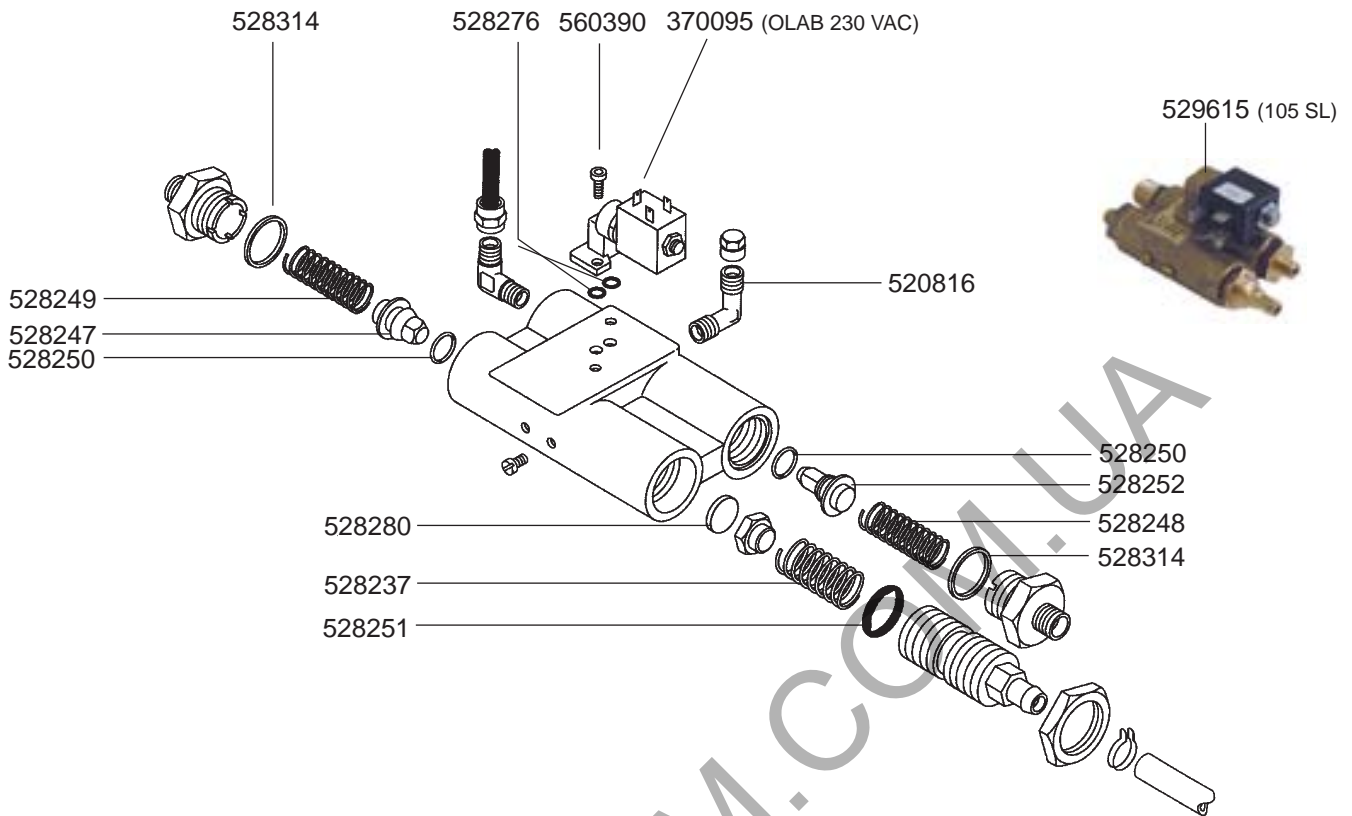
## Inlet VALVE 4<sup>a</sup> SERIES



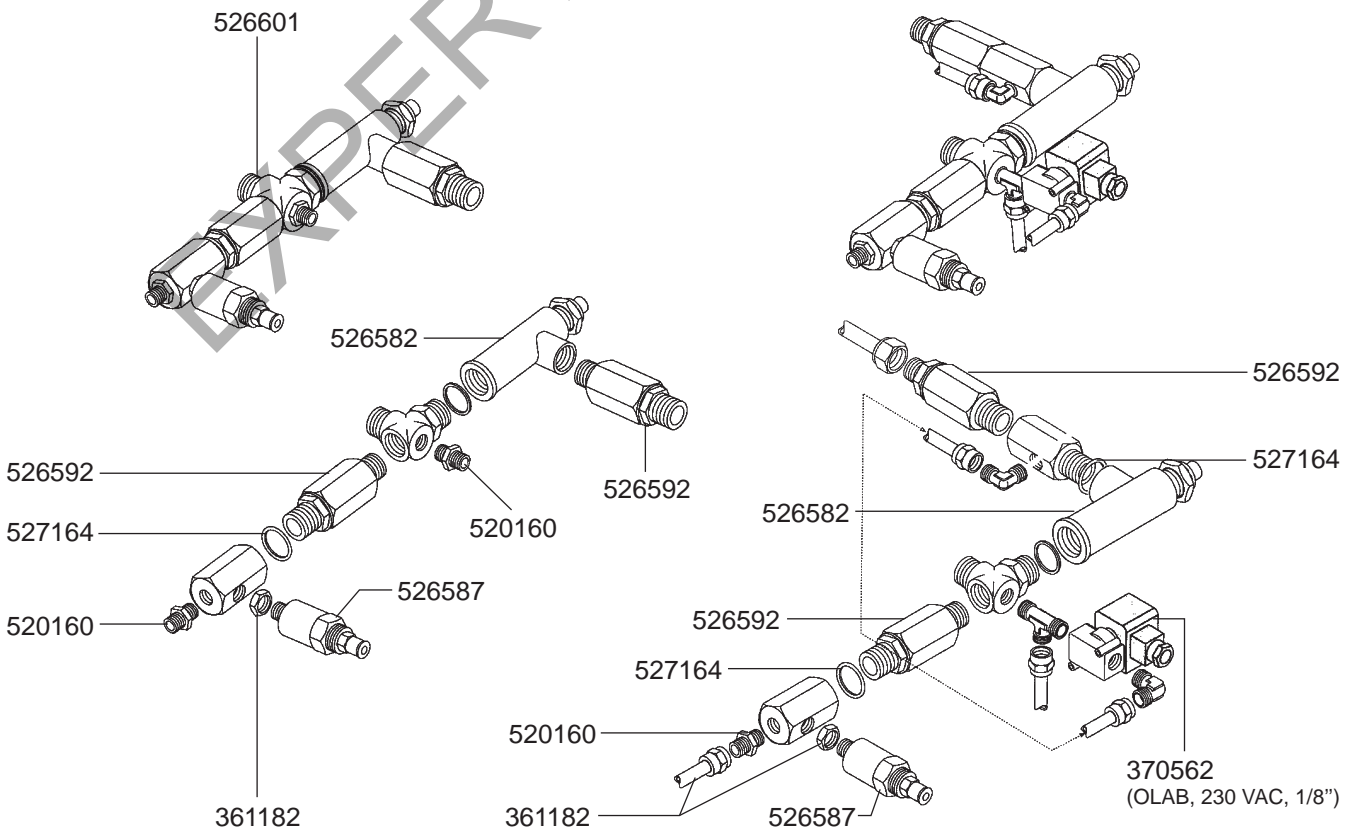
## Inlet VALVE 3<sup>a</sup> SERIES



Inlet VALVE

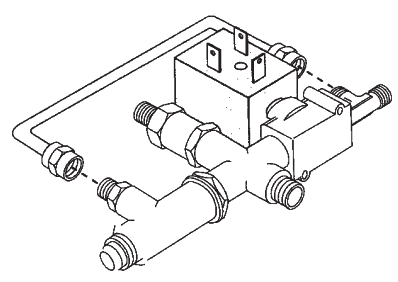


Inlet VALVES

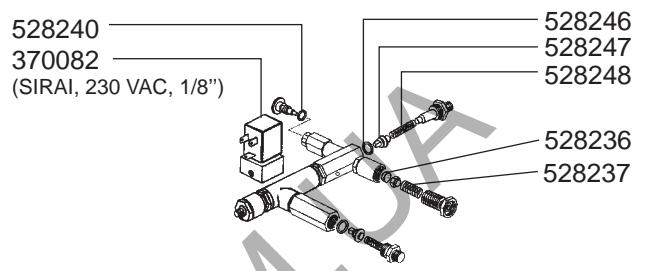
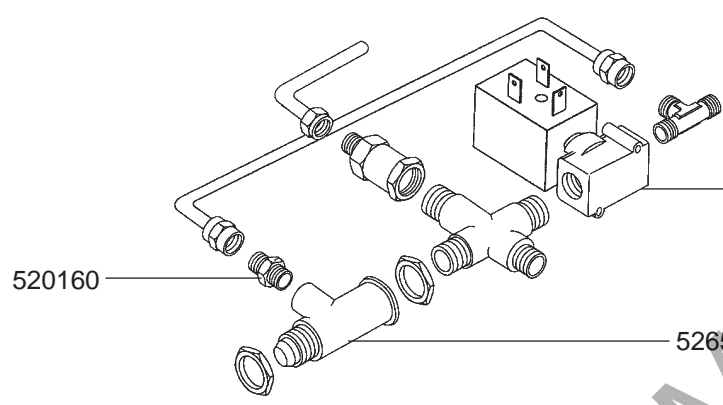
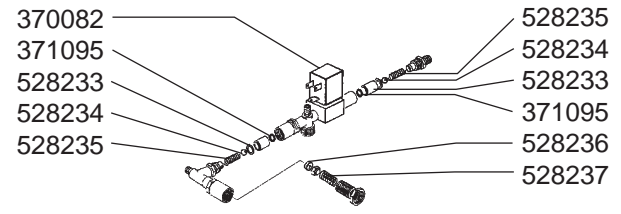


## Inlet VALVES

### AGILE



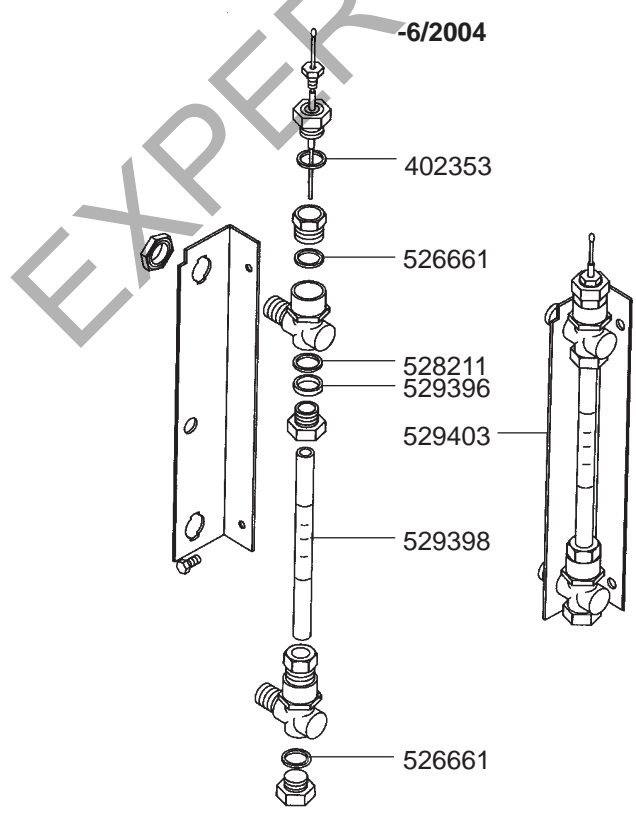
### VARIOUS



370561 (M&M, 230 VAC, 1/8")

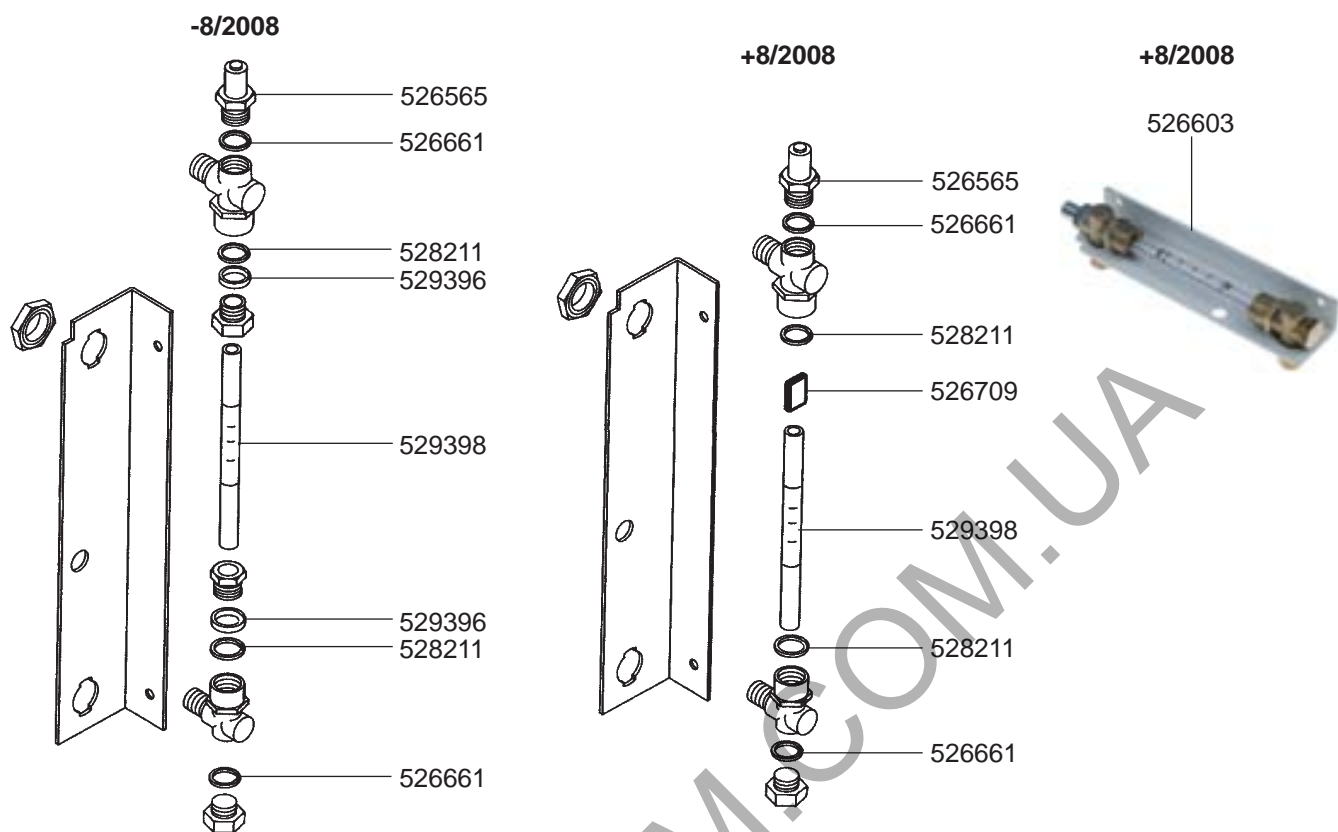


## LEVEL INDICATOR

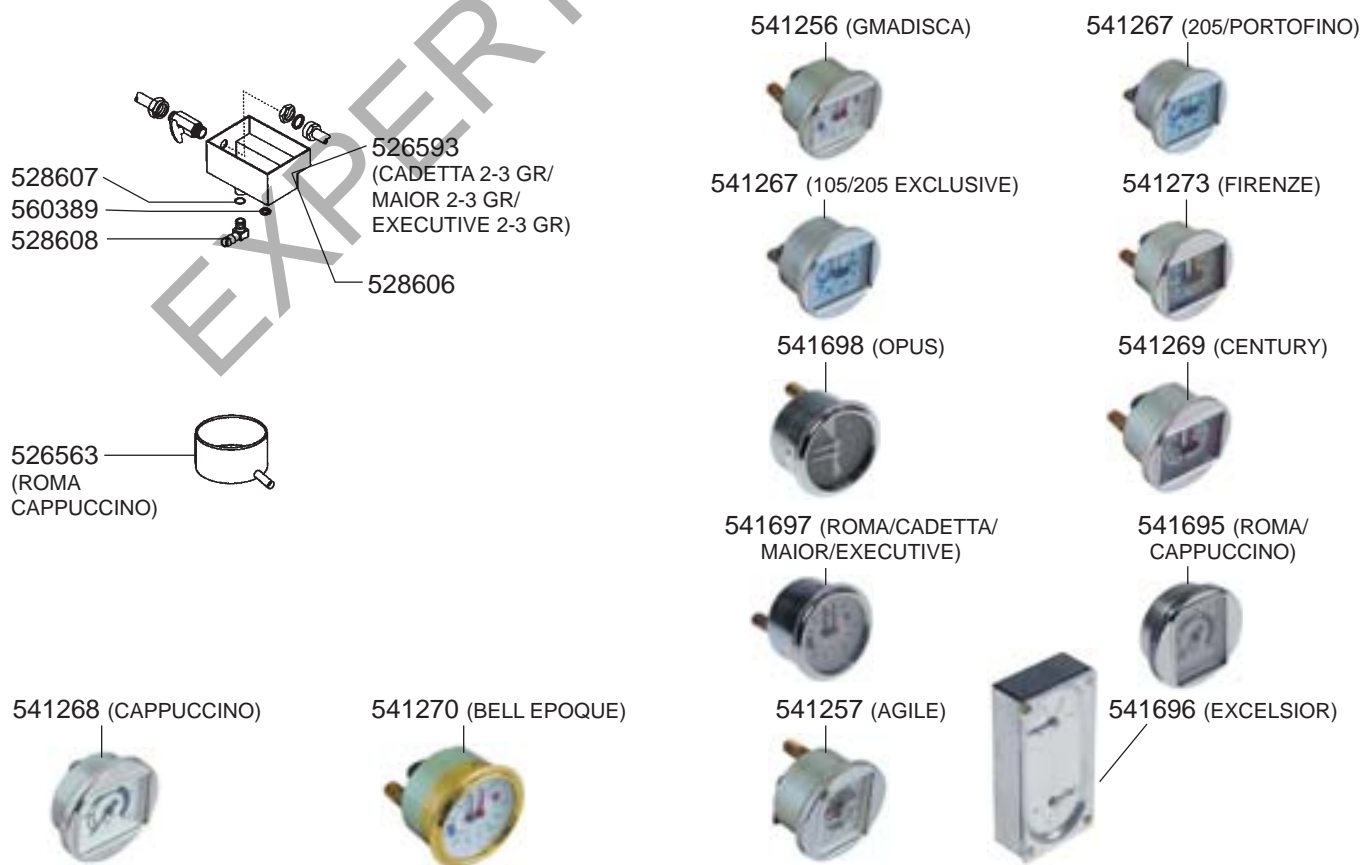




LEVEL INDICATOR



DRIP TRAYS/MANOMETERS

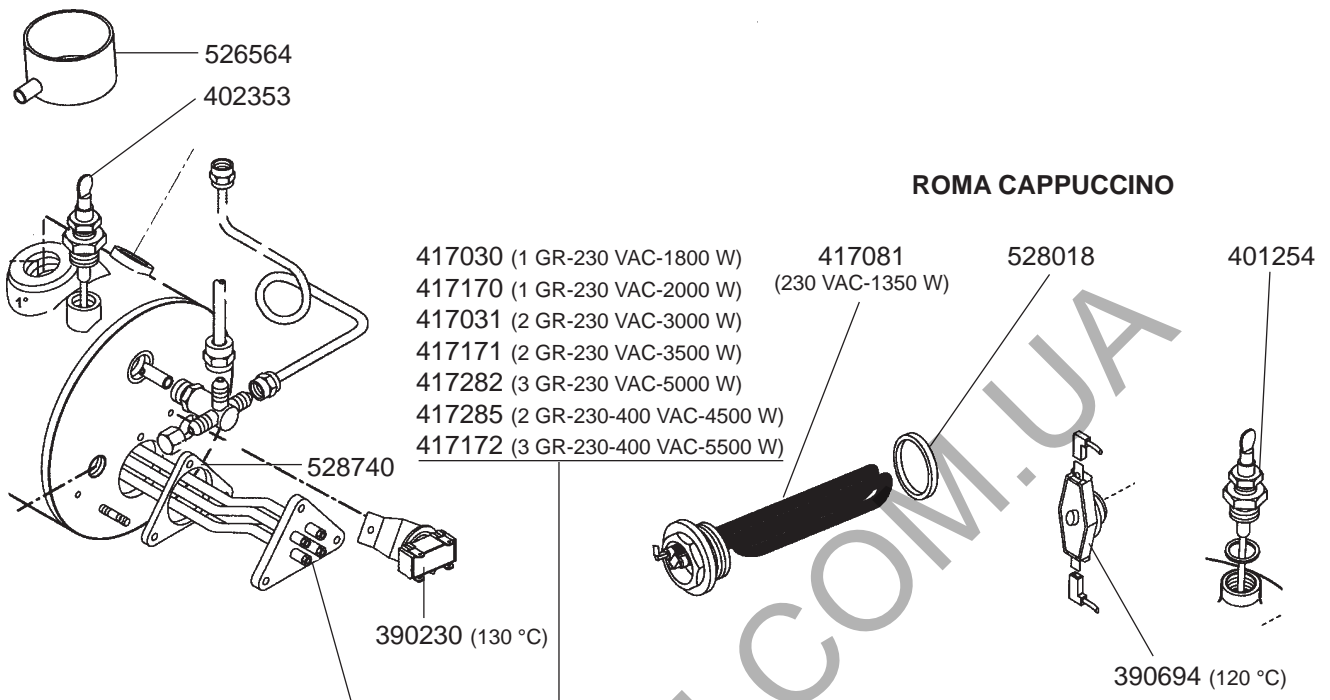




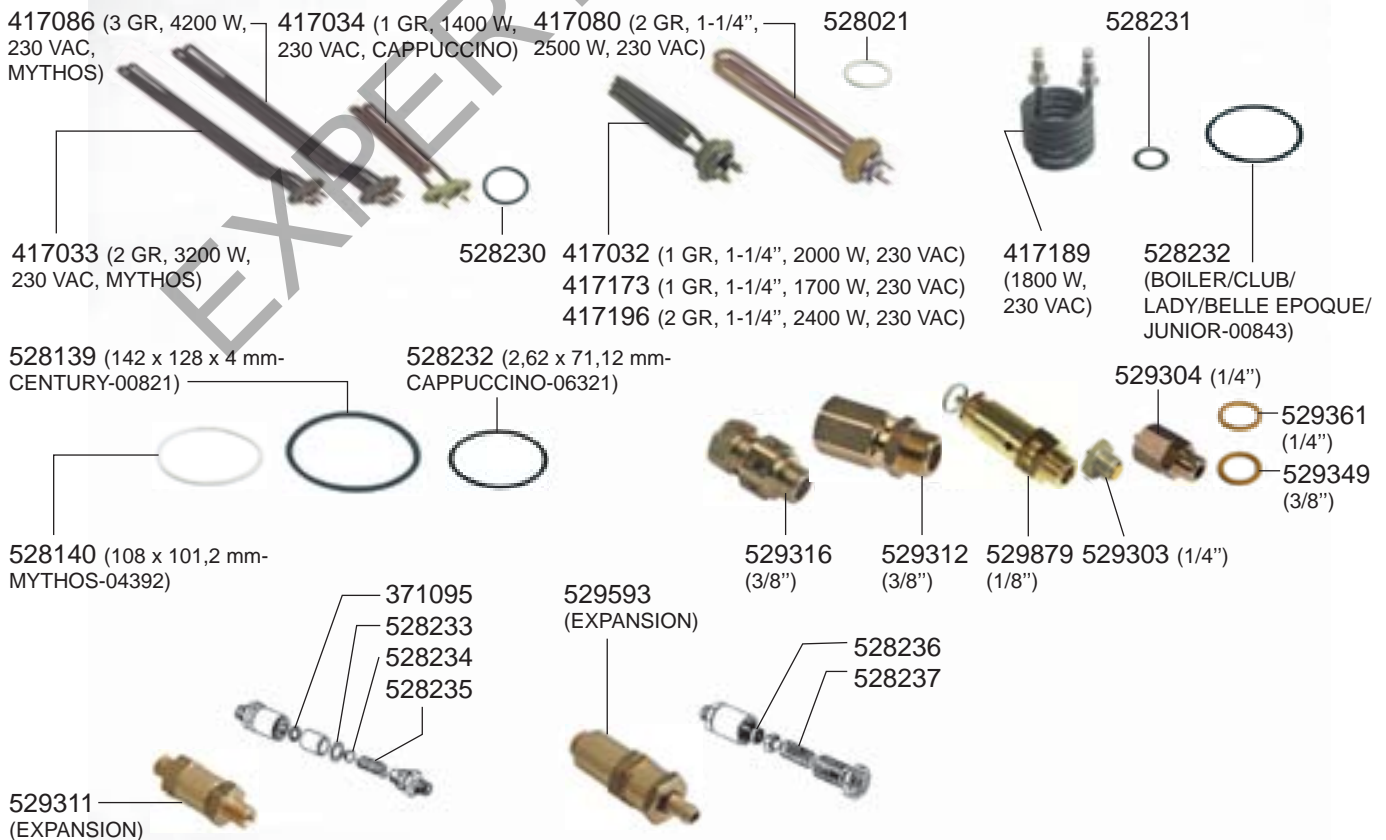
# BRASILIA – ESPRESSO MACHINES

1  
ESPRESSO MACHINES

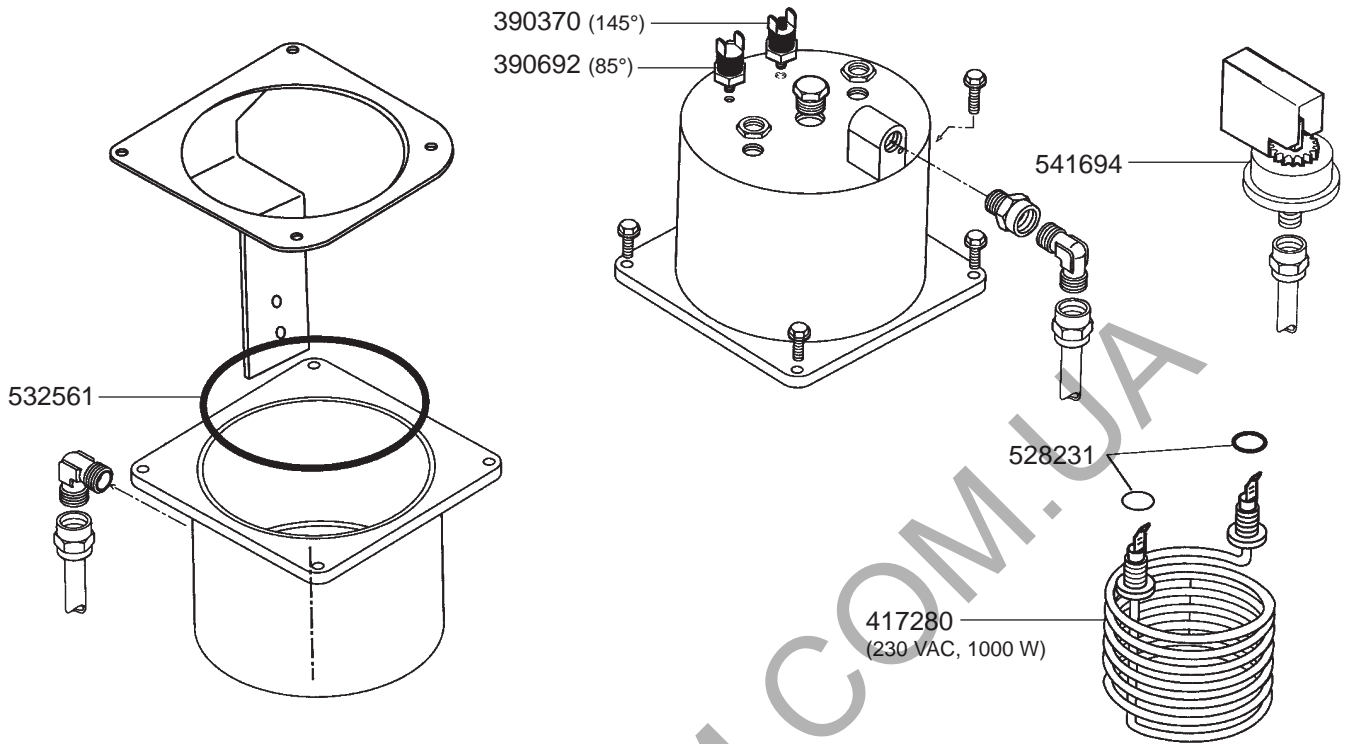
## BOILER VARIOUS



## BOILER/VALVES VARIOUS



## BULLONE ROSSO BOILER



## ELECTRICAL COMPONENTS GRADISCA

### GRADISCA RESTYLING



## ELECTRICAL COMPONENTS GRADISCA/PORTOFINO/FIRENZE

### GRADISCA



### PORTOFINO



### FIRENZE



## ELECTRICAL COMPONENTS FIRENZE/FIRENZE SL

### FIRENZE



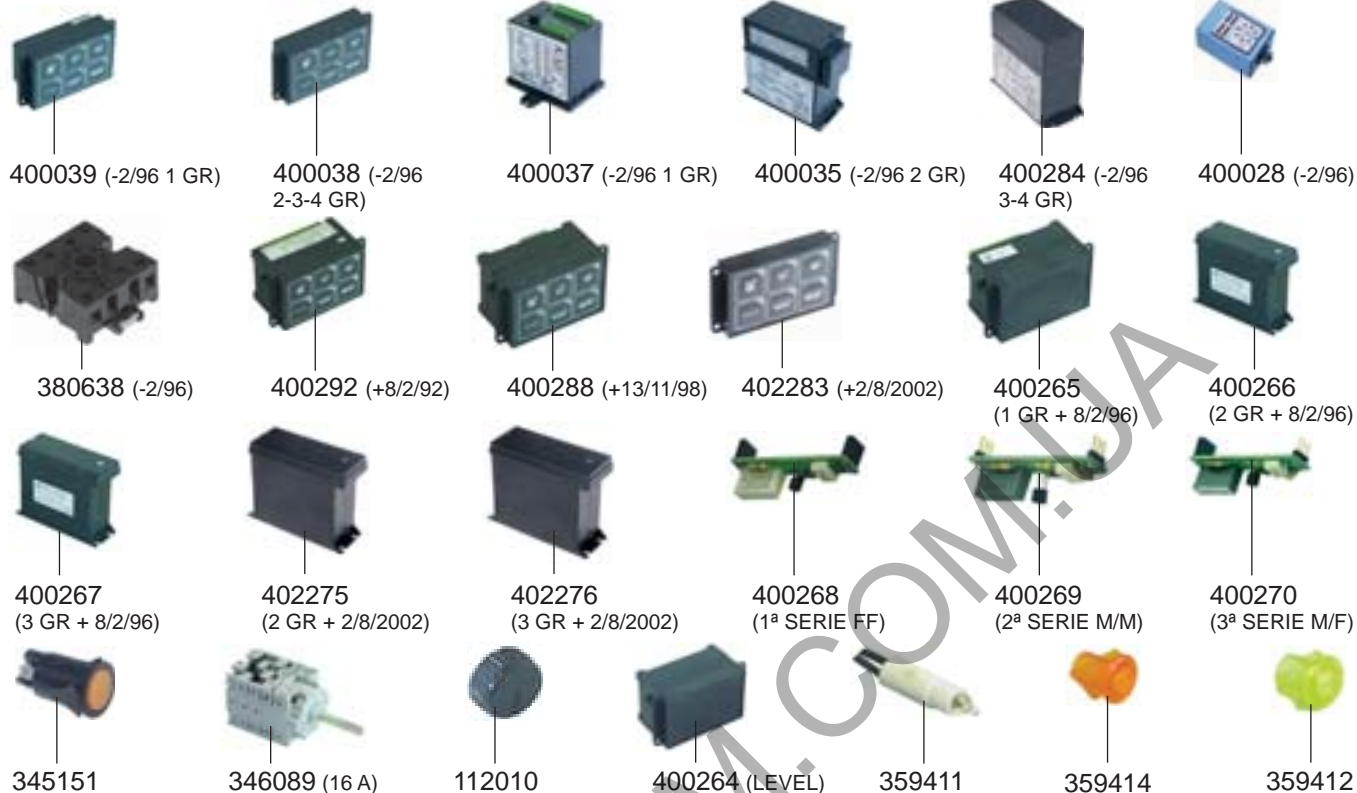
### FIRENZE S.L.





## ELECTRICAL COMPONENTS CENTURY

### CENTURY



## ELECTRICAL COMPONENTS ROMA/ROMA CAPPUCCINO

### ROMA



### ROMA CAPPUCCINO




























# BRASILIA – ESPRESSO MACHINES

1  
ESPRESSO MACHINES

## ELECTRICAL COMPONENTS 205/105

			<b>205</b> 		
400271	402284	400266 (2 GR)	400267 (3 GR)	402275 (2 GR+02/08/2002)	402276 (3 GR+02/08/2002)
					
400270	346089 (16 A)	345112 (20 A)	111100	345151	400264 (LEVEL)
					
402280	402843 (2 GR+02/08/2002 EXCLUSIVE)	402844 (3-4 GR+02/08/2002 EXCLUSIVE)	112010	359411	359414
			<b>105</b> 		
400271 (+10/03/2000)	402284 (+02/08/2002)	400396 (1 GR -02/96)	400266 (2 GR+10/03/2000)	400267 (3 GR+10/03/2000)	402275 (2 GR+02/08/2002)
					
					402276 (3 GR+02/08/2002)

## ELECTRICAL COMPONENTS 105/CADETTA

			<b>105</b>			
400270	345151	359411		359414	359412	346089 (16 A)
						
345112 (20 A)	111100	112010 (SL)		400264 (LEVEL)		
			<b>CADETTA</b>			
402287 (GICAR REF. 9.9.13.22G)	402269 (2 GR GICAR REF. 9.5.22.78G00)	402270 (3 GR GICAR REF. 9.5.22.69G06)		345151	359411	359414
						
359412	347221	112010 (SL)	347192	347226	347224	400264 (LEVEL)

## ELECTRICAL COMPONENTS AGILE/MAIOR



402287 (GICAR  
REF. 9.9.13.22G)



402295



402268 (GICAR  
REF. 9.5.25.73G)



402289



347192



347226



347225



347221



112010



359411



359414 (ORANGE)



402292 (GICAR  
REF. 9.9.14.21G)



301060



402266 (2 GR)



402267 (3 GR)



402289



345151



359411



359414



359412



347221



112010



400264 (LEVEL)

## ELECTRICAL COMPONENTS EXECUTIVE/EXCELSIOR

### EXECUTIVE



402288 (GICAR  
REF. 9.9.13.70G)



402266 (2 GR GICAR  
REF. 9.5.22.58G00)



402267 (3 GR  
9.5.22.52G00)



402268 (3 GR GICAR  
REF. 9.5.25.73G)



345151



359411



359414



359412



402289



347221



112010



400264  
(LEVEL)

### EXCELSIOR



402281



402234 (2 GR GICAR  
REF. 9.1.29.05G00)



402272 (3 GR)



301068



359411



359414  
(ORANGE)



359412 (GREEN)



402294



380889



541694

## ELECTRICAL COMPONENTS OPUS

### OPUS















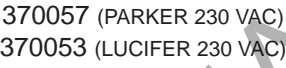
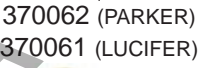
















## ELECTRICAL COMPONENTS VARIOUS





## ELECTRICAL COMPONENTS VARIOUS

 400255	 400256	 400257	 400258	 400254	 400199	 400349	 541021 (SIRAI, 30 AMP, 3 POLES)
 541724 (SIRAI, 20 AMP, 3 POLES)	 541723 (SIRAI, 20 AMP, 2 POLES)	 541453 (PARKER)	 541155	 370057 (PARKER 230 VAC)	 370062 (PARKER)	 370053 (LUCIFER 230 VAC)	 370061 (LUCIFER)
 370206 (PARKER 1/8")	 371029 (PARKER 230 VAC)	 371031 (LUCIFER 230 VAC)	 371090	 371100 (SILICONE)	 370095 (OLAB 230 VAC)	 370165 (M&M 1/8" 230 VAC)	 370167 (M&M 1/8" 24 VDC)
 370072 (LUCIFER 1/8")	 371091	 371095 (VITON)	 371022 (230 VAC)	 371071 (SIRAI 230 VAC)	 370166 (OLAB 1/8" 24 VDC)	 370169 (SIRAI 1/8" 230 VAC 1,6 L/min)	 370168 (SIRAI 1/8" 230 VAC 2,3 L/min)

## ELECTRICAL COMPONENTS VARIOUS

 390114 (110 °C LADY-CLUB)	 390109 (BELLE EPOQUE JUNIOR)	 390125 (2 POLES)	 390105 (2 POLES)	 390128 (95 °C)
 400034 (BELLE EPOQUE 1/2 GR)	 112009 (BELLE EPOQUE 1/2 GR)	 345032 (BELLE EPOQUE 1/2 GR)	 345152 (SWITCH LIGHTED)	 390129 (125 °C/SAFETY)
 345153 (SWITCH LIGHTED)	 345155 (SWITCH)	 345154 (PUSH BUTTON)	 345151 (PUSH BUTTON LIGHTED)	 390322 (100 °C)
 346046 (STEAM)	 301076 (ELECTROSYMBOL)	 346049 (COFFEE)	 345160 (SWITCH LIGHTED)	 390152 (107 °C)
 359411	 359412 (GREEN)	 359414 (YELLOW)	 346002 (PUSH BUTTON LIGHTED)	 390152 (110 °C)
 359143 (YELLOW)	 359142 (GREEN)	 390323 (145 °C/SAFETY)	 346003 (PUSH BUTTON LIGHTED)	 390372 (165 °C/SAFETY)