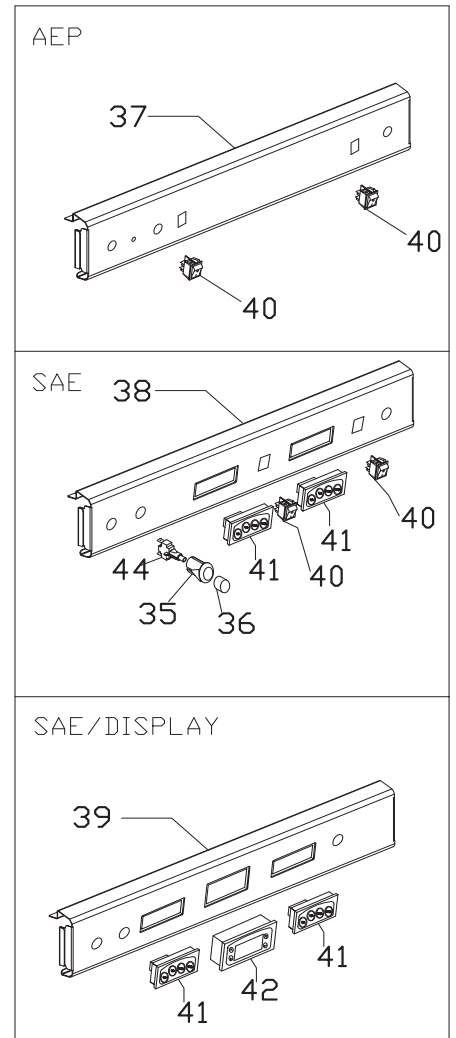
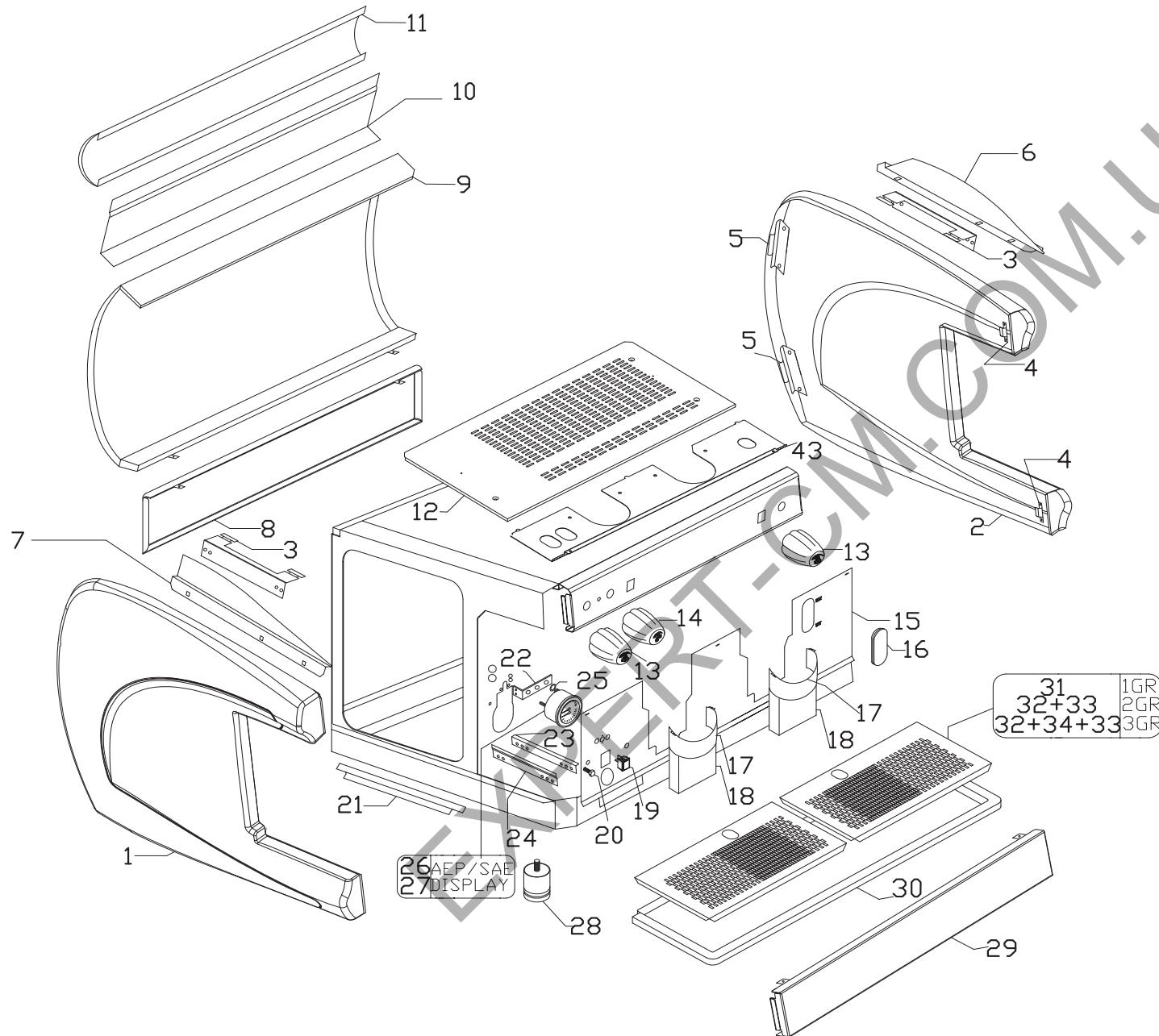
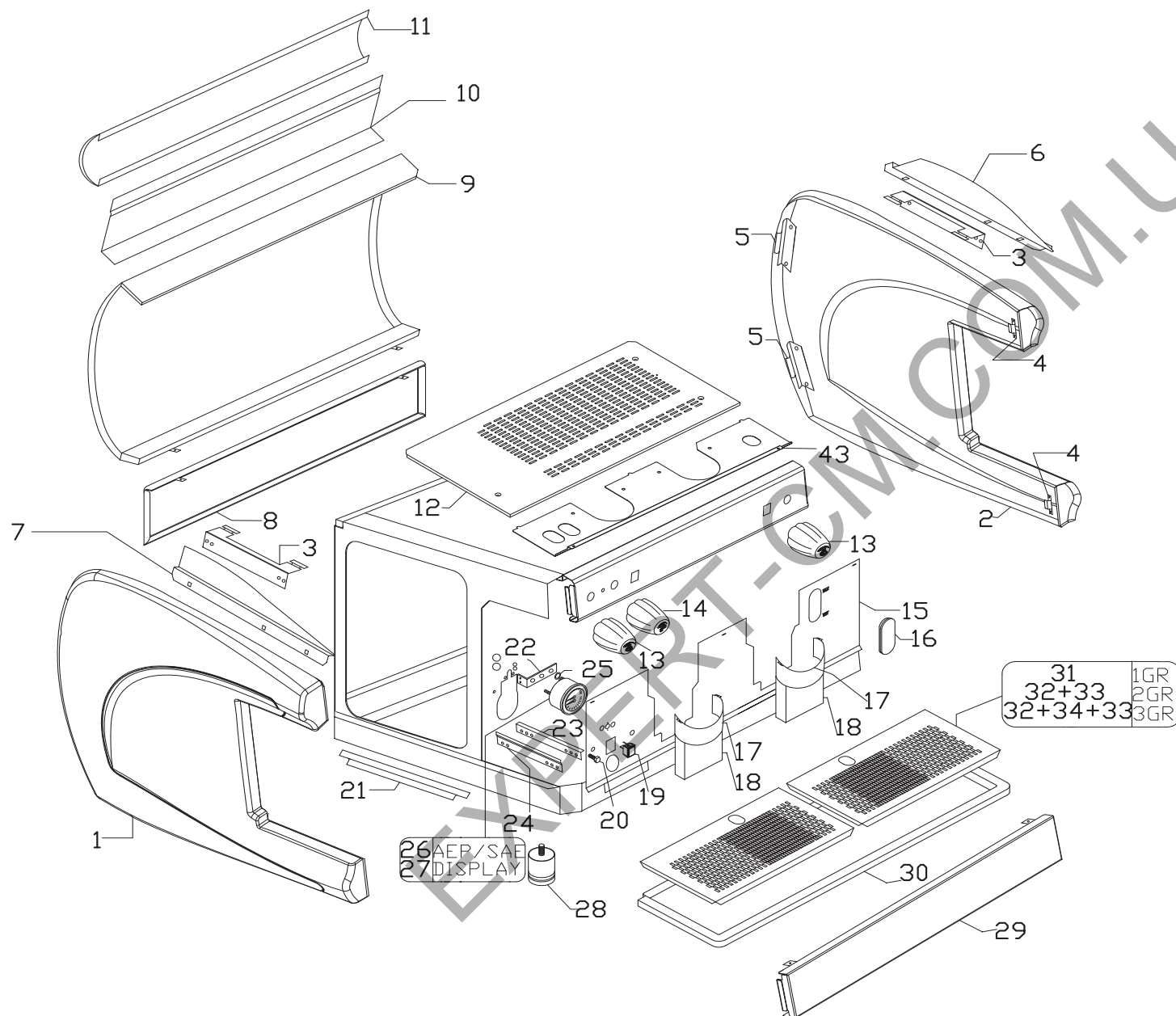


| Pos | Cod.      | Denominazione - IT -               | Denomination - GB -                | Denomination - FR -                 | Denomination - DE -              | Denumire - RO -                      |
|-----|-----------|------------------------------------|------------------------------------|-------------------------------------|----------------------------------|--------------------------------------|
| 1   | 73130603  | FIANCO SX MCE 011 NERO             | SIDE PANEL LEFT MCE 011 BLACK      | COTE GAUCHE MCE 011 NOIR            | SEITE LINKE MCE 011 SCHWARZ      | LATERALA STANGA MCE 011 NEGRU        |
| 2   | 73130602  | FIANCO DX MCE 011 NERO             | SIDE PANEL RIGHT MCE 011 BLACK     | COTE DROIT MCE 011 NOIR             | SEITE LECHT MCE 011 SCHWARZ      | LATERALA DREAPTA MCE 011 NEGRU       |
| 3   | 78041006  | STAFFA FERMA FIANCO SUP.MCE 011    | UPPER LATERAL SUPPORT              | SUPPORT LATERAL SUPERIEUR MCE 011   | OBEREN SEITLICHEN HALT           | SUPORT OPRIRE PARTEA SUP.MCE 011     |
| 4*  | 77607063  | FERMA FIANCO ANTERIORE             | FRONT SIDE BRACKET                 | PLATINE AVANT COTE                  | BUEGEL SEITENBLLENDE             | SUPORT LATERALA ANTERIOR             |
| 5   | 77607064  | FERMA FIANCO POSTERIORE            | BACK SIDE BRACKET                  | PLATINE POST. COTE                  | BUEGEL SEITENBLLENDE             | SUPORT LATERALA POSTERIOR            |
| 6   | 77607100  | PROFILO DX FIANCO MCE 011          | SIDE RIGHT PROFIL MCE011           | PROFIL LATERAL DROIT MCE 011        | SEITENPROFIL LECHT MCE 011       | PROFIL LATERAL DREAPTA               |
| 7   | 77607101  | PROFILO SX FIANCO MCE 011          | SIDE LEFT PROFIL MCE 011           | PROFIL LATERAL GAUCHE MCE 011       | SEITENPROFIL LINKE MCE011        | PROFIL LATERAL STANGA                |
| 8   | 75287006  | PANN.POST.INF.1GR MCE 011 NERO     | BACK LOWER PANEL 1GR BLACK         | PANNEAU POST INF.1GR NOIR           | TAFEL HINTEN UNTERE 1GR SCHWARZ  | PANOU POSTERIOR INFERIOR 1GR NEGRU   |
| 8   | 75287007  | PANN.POST.INF.2GR MCE 011 NERO     | BACK LOWER PANEL 2GR BLACK         | PANNEAU POST INF.2GR NOIR           | TAFEL HINTEN UNTERE 2GR SCHWARZ  | PANOU POSTERIOR INFERIOR 2GR NEGRU   |
| 8   | 75287008  | PANN.POST.INF.3GR MCE 011 NERO     | BACK LOWER PANEL 3GR BLACK         | PANNEAU POST INF.3GR 011 NOIR       | TAFEL HINTEN UNTERE 3GR SCHWARZ  | PANOU POSTERIOR INFERIOR 3GR NEGRU   |
| 9   | 75287021  | PANN.POST.CENTR.1GR INOX/L         | BACK CENTRAL PANEL 1GR STEEL       | PANNEAU POST CENTR.1GR INOX         | HINTEN MITTELTADEL 1GR STHAL     | PANOU CENTRAL POSTERIOR 1GR INOX     |
| 9   | 75287022  | PANN.POST.CENTR.2GR INOX/L         | BACK CENTRAL PANEL 2GR STEEL       | PANNEAU POST CENTR.2GR INOX         | HINTEN MITTELTADEL 2GR STHAL     | PANOU CENTRAL POSTERIOR 2GR INOX     |
| 9   | 75287023  | PANN.POST.CENTR.3GR INOX/L         | BACK CENTRAL PANEL 3GR STEEL       | PANNEAU POST CENTR.3GR INOX         | HINTEN MITTELTADEL 3GR STHAL     | PANOU CENTRAL POSTERIOR 3GR INOX     |
| 9   | 75287003  | PANN.POST.CENTR.1GR NERO           | BACK CENTRAL PANEL 1GR BLACK       | PANNEAU POST CENTR.1GR NOIR         | HINTEN MITTELTADEL 1GR SCHWARZ   | PANOU CENTRAL POSTERIOR 1GR NEGRU    |
| 9   | 75287004  | PANN.POST.CENTR.2GR NERO           | BACK CENTRAL PANEL 2GR BLACK       | PANNEAU POST CENTR.2GR NOIR         | HINTEN MITTELTADEL 2GR SCHWARZ   | PANOU CENTRAL POSTERIOR 2GR NEGRU    |
| 9   | 75287005  | PANN.POST.CENTR.3GR NERO           | BACK CENTRAL PANEL 3GR BLACK       | PANNEAU POST CENTR.3GR NOIR         | HINTEN MITTELTADEL 3GR SCHWARZ   | PANOU CENTRAL POSTERIOR 3GR NEGRU    |
| 10  | 77607102  | SUPP.PANN.POST.SUP.1GR INOX/L      | SUPPORT BACK UPPER PANEL 1GR STEEL | SUPPORT PANNEAU POST SUP.1GR INOX   | TAFEL HINTEN OBER 1GR STHAL      | SUPORT PANOU POST.SUP.1GR INOX       |
| 10  | 77607103  | SUPP.PANN.POST.SUP.2GR INOX/L      | SUPPORT BACK UPPER PANEL 2GR STEEL | SUPPORT PANNEAU POST SUP.2GR INOX   | TAFEL HINTEN OBER 2GR STHAL      | SUPORT PANOU POST.SUP.2GR INOX       |
| 10  | 77607104  | SUPP.PANN.POST.SUP.3GR INOX/L      | SUPPORT BACK UPPER PANEL 3GR STEEL | SUPPORT PANNEAU POST SUP.3GR INOX   | TAFEL HINTEN OBER 3GR STHAL      | SUPORT PANOU POST.SUP.3GR INOX       |
| 11  | 75287018  | PANN.POST.SUP.1GR INOX/L           | BACK UPPER PANEL 1GR STEEL         | PANNEAU POST SUP.1GR INOX           | HINTEN OBER 1GR STHAL            | PANOU POST.SUP.1GR INOX              |
| 11  | 75287019  | PANN.POST.SUP.2GR INOX/L           | BACK UPPER PANEL 2GR STEEL         | PANNEAU POST SUP.2GR INOX           | HINTEN OBER 2GR STHAL            | PANOU POST.SUP.2GR INOX              |
| 11  | 75287020  | PANN.POST.SUP.3GR INOX/L           | BACK UPPER PANEL 3GR STEEL         | PANNEAU POST SUP.3GR INOX           | HINTEN OBER 3GR STHAL            | PANOU POST.SUP.3GR INOX              |
| 11  | 75287000  | PANN.POST.SUP.1GR NERO             | BACK UPPER PANEL 1GR BLACK         | PANNEAU POST SUP.1GR NOIR           | HINTEN OBER 1GR SCHWARZ          | PANOU POST.SUP.1GR NEGRU             |
| 11  | 75287001  | PANN.POST.SUP.2GR NERO             | BACK UPPER PANEL 2GR BLACK         | PANNEAU POST SUP.2GR NOIR           | HINTEN OBER 2GR SCHWARZ          | PANOU POST.SUP.2GR NEGRU             |
| 11  | 75287002  | PANN.POST.SUP.3GR NERO             | BACK UPPER PANEL 3GR BLACK         | PANNEAU POST SUP.3GR NOIR           | HINTEN OBER 3GR SCHWARZ          | PANOU POST.SUP.3GR NEGRU             |
| 12  | 76100211  | GRIGLIA SUP.1GR INOX/LUC           | COVER GRILL UPPER 1GR INOX         | GRILLE SUPERIEURE 1GR INOX          | OBERGITTER 1GR ATAHL             | GRILAJ SUP.1GR INOX                  |
| 12  | 76100212  | GRIGLIA SUP.2GR INOX/LUC           | COVER GRILL UPPER 2GR INOX         | GRILLE SUPERIEURE 2GR INOX          | OBERGITTER 2GR ATAHL             | GRILAJ SUP.2GR INOX                  |
| 12  | 76100213  | GRIGLIA SUP.3GR INOX/LUC           | COVER GRILL UPPER 3GR INOX         | GRILLE SUPERIEURE 3GR INOX          | OBERGITTER 3GR ATAHL             | GRILAJ SUP.3GR INOX                  |
| 13  | 83150026R | KIT MANOPOLA VAPORE FORMA          | KIT STEAM TAP KNOB FOR FORMA       | KIT POIGNEE VAP FORMA               | KIT HANDGRIFF DAMPFFORMA         | KIT MANOPOLA VAPOR FORMA             |
| 14  | 83150027R | KIT MANOPOLA H2O FORMA             | KIT H2O TAP KNOB FOR FORMA         | KIT POIGNEE H2O FORMA               | KIT HANDGRIFF H2O FORMA          | KIT MANOPOLA H2O FORMA               |
| 15  | 77044117  | COPRICALDAIA ER/1 INOX/LUC         | S.STEEL BOILER COVER 1GR           | COUVRE-CHAUDIERE INOX 1GR           | KESSELDECKEL 1GR STAHL           | PROTECTIE CAZ.ER/1 INOX/LUC          |
| 15  | 77044118  | COPRICALDAIA ER/2 INOX/LUC         | S.STEEL BOILER COVER 2GR           | COUVRE-CHAUDIERE INOX 2GR           | KESSELDECKEL 2GR STAHL           | PROTECTIE CAZ.ER/2 INOX/LUC          |
| 15  | 77044119  | COPRICALDAIA ER/3 INOX/LUC         | S.STEEL BOILER COVER 3GR           | COUVRE-CHAUDIERE INOX 3GR           | KESSELDECKEL 3GR STAHL           | PROTECTIE CAZ.ER/3 INOX/LUC          |
| 15  | 77044120  | COPRICALDAIA ER/1+DISPLAY INOX/LUC | S.STEEL BOILER COVER 1GR+DISPLAY   | COUVRE-CHAUDIERE INOX 1GR+DISPLAY   | KESSELDECKEL 1GR+DISPLAY STAHL   | PROTECTIE CAZ.ER/1+DISPLAY INOX/LUC  |
| 15  | 77044121  | COPRICALDAIA ER/2+DISPLAY INOX/LUC | S.STEEL BOILER COVER 2GR+DISPLAY   | COUVRE-CHAUDIERE INOX 2GR+DISPLAY   | KESSELDECKEL 2GR+DISPLAY STAHL   | PROTECTIE CAZ.ER/2+DISPLAY INOX/LUC  |
| 15  | 77044122  | COPRICALDAIA ER/3+DISPLAY INOX/LUC | S.STEEL BOILER COVER 3GR+DISPLAY   | COUVRE-CHAUDIERE INOX 3GR+DISPLAY   | KESSELDECKEL 3GR+DISPLAY STAHL   | PROTECTIE CAZ. ER/3+DISPLAY INOX/LUC |
| 16  | 21202     | SEGNALIVELLO OVE TUV INCOLORE WEGA | COLORLESS LEVEL INDICATOR OVE-TUV  | SIGNAL NIVEAU OVE-TUV               | FARBLOSER NIVEAUNZEIGER OVE-TUV  | INDICATOR NIVEL OVE-TUV INCOLOR      |
| 17  | 77308049  | PROT.SUP.GRUPPO INOX/L             | SUPERIOR PROTECTION GROUP INOX/L   | PROTECTION GROUPE SUPERIEURE INOX/L | HERVORRANGENDEN SCHUTZ GR.INOX/L | PROTECTIE SUPERIOARA GRUP INOX/L     |
| 18  | 77308048  | PROT.INF.GRUPPO INOX/L             | LOWER PROTECTION GROUP INOX        | PROTECTION GROUPE INF.INOX          | UNTEREN SCHUTZGRUPPE INOX        | PROTECTIE INF.GRUP INOX/L            |

4\* 77607063 sost. da 77607148 (avviamento con N.F.: M59649)

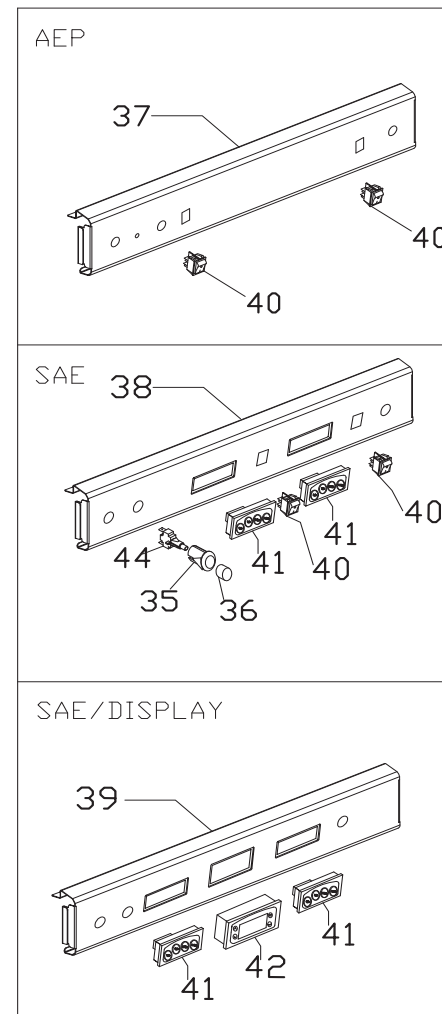


| Pos | Cod.     | Denominazione - IT -                    | Denomination - GB -                      | Denomination - FR -                   | Denomination - DE -                 | Denumire - RO -                       |
|-----|----------|---|--|---------------------------------------|-------------------------------------|---------------------------------------|
| 19  | 15486002 | TAPPO FORO INTERRUTTORE                 | SWITCH HOLE PLUG                         | CAPUCHON TROU INTERRUP.               | ABDECKUNG SCHALTERLOCH              | CAPAC DIN PLASTIC PT.INTRERUPATOR     |
| 20  | 23420    | VITE TE OTTONE M6x12 NICHELATA          | M6x12NICKEL-PLATED BRASS HEX.HEAD SCREW  | VIS TH LAITON M6x12 NICKELEE          | SECHSKANTSCHRAUBE AUS MESSING M6x12 | SURUB DIN ALAMA M6x12 NICHELAT        |
| 21  | 77607020 | SUPPORTO DESTRO-SINISTRO FIANCO         | RIGHT-LEFT SUPPORT                       | SUPPORT DROIT-GAUCHE                  | RECHTS/LINKS HALTER                 | SUPORT LATERALA DREAPTA-STANGA        |
| 22  | 78150072 | SUPPORTO MANOMETRO 1>3GR                | GAUGE SUPPORT 1>3GR                      | SUPPORT MANOMETRE 1>3GR               | MANOMETERHALTER 1>3GR               | SUPORT MANOMETRU 1>3GR                |
| 23  | 77741    | GUIDA DX-SX BACINELLAXTELAI             | R-L BASIN GUIDE FOR FRAMES               | GUIDE DX-SX CUVE x CHASSIS            | FÜHRUNG R-L SCHALE FÜR RAH          | GHIDAJ DR-ST PT.TAVA DE SCURGERE      |
| 24  | 77742005 | DISTANZIALE GUIDA BACINELLA             | SPACER GLOSSY                            | ENTRETOISE CUVE                       | DISTANZSTUCK                        | DIST.PT.GHIDAJ PT.TAVA DE SCURGERE    |
| 25  | 12155001 | GUARNIZIONE CU 8.5x3.3x1                | COPPER GASKET 8.5X3.3X1                  | JOINT CU 8.5X3.3X1                    | CU DICHTUNG 8.5x3.3x1               | GARN.DIN CU 8.5x3.3x1                 |
| 26  | 21112    | MANOMETRO TONDO DOPPIA SCALA            | PRESSURE GAUGE                           | MANOMETRE                             | MANOMETER                           | MANOMETRU                             |
| 27  | 21114    | MANOMETRO TONDO 16Bar                   | ROUND PRESSURE GAUGE 16ATM               | MANOMETRE ROND 16 Atm                 | MANOMETER 16 Atm                    | MANOMETRU 16 BAR                      |
| 28  | 15318    | PIEDINO REGOL.INOX/SAT H55/69           | ADJUSTABLE FOOT H55/69                   | PIED REGLABLE H55/69                  | REGELBARER FUSS H55/69              | PICIOARE REGLABILE INOX/SAT H55/69    |
| 29  | 77487451 | PROF.BAS.ANT.1GR NERO                   | PROF.BAS.ANT 1GR BLACK                   | PROF.BAS.ANT 1GR NOIR                 | BASISPRPOF.VORDER 1GR SCHWARZ       | PROF.BAZ.ANT.1GR NEGRU                |
| 29  | 77487452 | PROF.BAS.ANT.2GR NERO                   | PROF.BAS.ANT 2GR BLACK                   | PROF.BAS.ANT 2GR NOIR                 | BASISPRPOF.VORDER 2GR SCHWARZ       | PROF.BAZ.ANT.2GR NEGRU                |
| 29  | 77487453 | PROF.BAS.ANT.3GR NERO                   | PROF.BAS.ANT 3GR BLACK                   | PROF.BAS.ANT 3GR NOIR                 | BASISPRPOF.VORDER 3GR SCHWARZ       | PROF.BAZ.ANT.3GR NEGRU                |
| 30  | 76095    | BACINELLA 1GR INOX LUCIDO               | 1GR GLOSSY STAINLESS STEEL TRAY          | BASSINELLE 1GR INOX BRILLANT          | STAHLSCHALE 1GR                     | TAVA DE SCURGERE DIN INOX/L 1GR       |
| 30  | 76096    | BACINELLA 2GR INOX LUCIDO               | 2GR GLOSSY STAINLESS STEEL TRAY          | BASSINELLE 2GR INOX BRILLANT          | STAHLSCHALE 2GR                     | TAVA DE SCURGERE DIN INOX/L 2GR       |
| 30  | 76097    | BACINELLA 3GR INOX LUCIDO               | 3GR GLOSSY STAINLESS STEEL TRAY          | BASSINELLE 3GR INOX BRILLANT          | STAHLSCHALE 3GR                     | TAVA DE SCURGERE DIN INOX/L 3GR       |
| 31  | 76153000 | GRIGLIA INF.INOX LUC.456x201            | LOWER GRILL 456x201 SHINY S.STEEL        | GRILLE INF.INOX 456x201               | STAHL-UNTERGITTER 456x201           | GRILAJ INF.DIN INOX 456x201.          |
| 32  | 76154000 | GRIGLIA INF.DX INOX LUC.338.5x201       | RIGHT LOWER GRILL -SHINY S.STEEL         | GRILLE INF.DROIT INOX 338.5x201       | STAHL-UNTER-RECHTEGITTER 338,5x201  | GRILAJ INF.DR.DIN INOX 338.5x201      |
| 33  | 76155000 | GRIGLIA INF.SINISTRA INOX LUC.338.5x201 | LEFT LOWER GRILL - SHINY S.STEEL         | GRILLE INF.GAUCHE INOX 338,5x201      | STAHL-UNTER-LINKEGITTER 338,5x201   | GRILAJ INF.ST.DIN INOX 338.5x201      |
| 34  | 76156000 | GRIGLIA INF.INOX LUC. 253x201           | LOWER GRILL 253x201 - SHINY S.STEEL      | GRILLE INF.INOX 253x201               | STAHL-UNTERGITTER 253x201           | GRILAJ INF.INOX 253x201               |
| 35  | 15373058 | SUPPORTO TASTO CROMATO SIBILLA          | KEY SUPPORT CHROMED SIBILLA              | SUPPORT TOUCHE CHROMEE SIBILLA        | TASTEHALTER CHROM SIBILLA           | SUPORT TASTE SIBILLA                  |
| 36  | 15373057 | TASTO PULSANTIERE CROMATO SIBILLA       | CHROMED KEY SIBILLA                      | TOUCHE CHROMEE SIBILLA                | CHROM TASTE SIBILLA                 | BUTON SIBILLA                         |
| 37  | 70848890 | FRONTONE AEP/1 MCE 011 INOX             | AEP FRONT/1 MCE 011 STEEL/LUC            | ELEM.FRONT AEP/1 MCE 011 INOX         | FRONT.AEP/1 MCE 011 STAHL           | FRONT.AEP/1 MCE 011 INOX              |
| 37  | 70848891 | FRONTONE AEP/2 MCE 011 INOX             | AEP FRONT/2 MCE 011 STEEL/LUC            | ELEM.FRONT AEP/2 MCE 011 INOX         | FRONT.AEP/2 MCE 011 STAHL           | FRONT.AEP/2 MCE 011 INOX              |
| 37  | 70848892 | FRONTONE AEP/3 MCE 011 INOX             | AEP FRONT/3 MCE 011 STEEL/LUC            | ELEM.FRONT AEP/3 MCE 011 INOX         | FRONT.AEP/3 MCE 011 STAHL           | FRONT.AEP/3 MCE 011 INOX              |
| 38  | 70848893 | FRONTONE SAE/1 MCE 011 INOX             | SAE FRONT/1 MCE 011 STEEL/LUC            | ELEM.FRONT SAE/1 MCE 011 INOX         | FRONT.SAE/1 MCE 011 STAHL           | FRONT.SAE/1 MCE 011 INOX              |
| 38  | 70848894 | FRONTONE SAE/2 MCE 011 INOX             | SAE FRONT/2 MCE 011 STEEL/LUC            | ELEM.FRONT SAE/2 MCE 011 INOX         | FRONT.SAE/2 MCE 011 STAHL           | FRONT.SAE/2 MCE 011 INOX              |
| 38  | 70848895 | FRONTONE SAE/3 MCE 011 INOX             | SAE FRONT/3 MCE 011 STEEL/LUC            | ELEM.FRONT SAE/3 MCE 011 INOX         | FRONT.SAE/3 MCE 011 STAHL           | FRONT.SAE/3 MCE 011 INOX              |
| 39  | 70848896 | FRONTONE SAE/1+DISPLAY MCE 011 INOX     | SAE FRONT/1+DISPLAY MCE 011 STEEL/LUC    | ELEM.FRONT SAE/1+DISPLAY MCE 011 INOX | FRONT.SAE/1+DISPLAY MCE 011 STAHL   | FRONT.SAE/1+DISPLAY MCE 011 INOX      |
| 39  | 70848897 | FRONTONE SAE/2+DISPLAY MCE 011 INOX     | SAE FRONT/2+DISPLAY MCE 011 STEEL/LUC    | ELEM.FRONT SAE/2+DISPLAY MCE 011 INOX | FRONT.SAE/2+DISPLAY MCE 011 STAHL   | FRONT.SAE/2+DISPLAY MCE 011 INOX      |
| 39  | 70848898 | FRONTONE SAE/3+DISPLAY MCE 011 INOX     | SAE FRONT/3+DISPLAY MCE 011 STEEL/LUC    | ELEM.FRONT SAE/3+DISPLAY MCE 011 INOX | FRONT.SAE/3+DISPLAY MCE 011 STAHL   | FRONT.SAE/3+DISPLAY MCE 011 INOX      |
| 40  | 18262    | INT.BIP.LUM.BIANCO B418C1L110000        | WHITE LIGHT BIPOLAR SWITCH B418C1L110000 | INT.BIP.LUMINEUX BLANC B418C1L110000  | WEIßES LICHT BIPOLAREN SCHALTE      | INTR.BIPOLAR LUMINOS ALBB418C1L110000 |
| 41  | 18359101 | PULSANT.CAPACIT.4T x TC BIANCO          | CAPACITIVE TOUCH PAD 4TxTC WHITE         | CLAVIER CAPACITIF 4TxTC BLANC         | KAPAZITIVEN TASTATUR 4TxTC WEIß     | TASTATURA CAPACITIVA 4TxTC ALBA       |
| 42  | 18088013 | MODULO DISPLAY BIANCO x TC              | DISPLAY xTC WHITE                        | DISPLAY xTC BLANC                     | DISPLAY xTC WEIß                    | DISPLAY xTC ALB                       |
| 43  | 77308045 | COPRIMPIANTO 1GR MCE 011                | CABLE - COVER 1GR MCE 011                | COUVRE - CABLAGE 1GR MCE 011          | VERDAHTUNHDECKEL 1GR MCE011         | PROT.INST.1GR MCE 011                 |
| 43  | 77308046 | COPRIMPIANTO 2GR MCE 011                | CABLE - COVER 2GR MCE 011                | COUVRE - CABLAGE 2GR MCE 011          | VERDAHTUNHDECKEL 2GR MCE011         | PROT.INST.2GR MCE 011                 |
| 43  | 77308047 | COPRIMPIANTO 3GR MCE 011                | CABLE - COVER 3GR MCE 011                | COUVRE - CABLAGE 3GR MCE 011          | VERDAHTUNHDECKEL 2GR MCE011         | PROT.INST.3GR MCE 011                 |
| 44  | 18371058 | PULS.UNIP.N.A.SIBILLA                   | SINGLE POLE PUSHBUTTON                   | AUTOCOL.POIGNEE NOIR ROB.VAP/H2O      | EINPOLIGER TASTER                   | TASTA UNIPOLARA SIBILLA               |



26 AER/SAE  
27 DISPLAY

31 1GR  
32+33 2GR  
32+34+33 3GR



AER

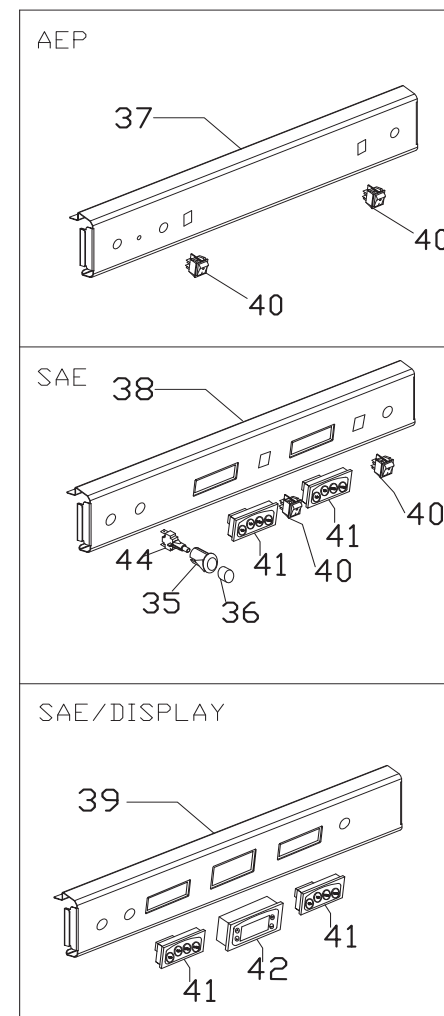
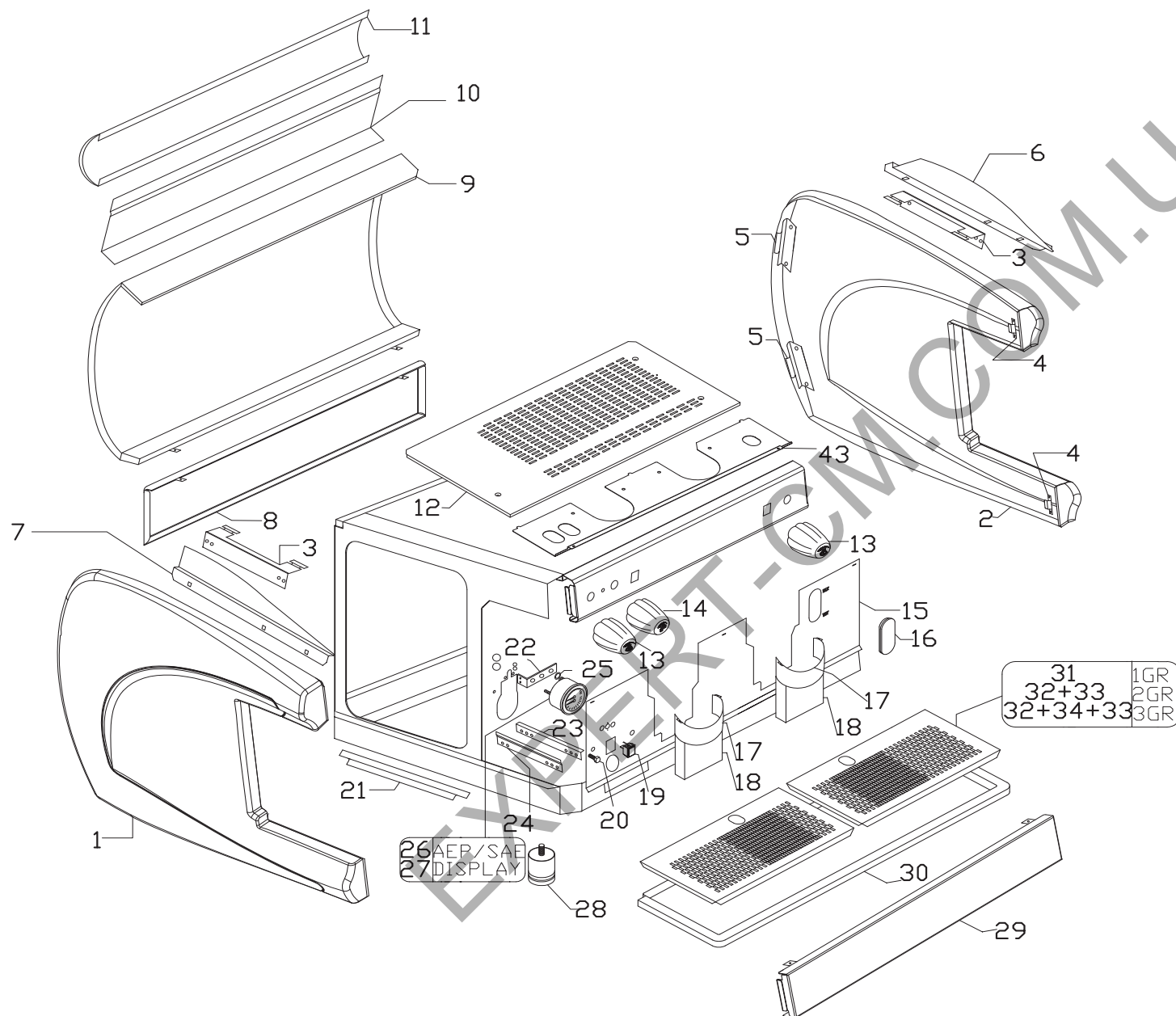
SAE

SAE/DISPLAY



| Pos | Cod.      | Denominazione - IT -               | Denomination - GB -                | Denomination - FR -                 | Denomination - DE -              | Denumire - RO -                      |
|-----|-----------|------------------------------------|------------------------------------|-------------------------------------|----------------------------------|--------------------------------------|
| 1   | 73130601  | FIANCO SX MCE 011 BIANCO           | SIDE PANEL LEFT MCE 011 WHITE      | COTE GAUCHE MCE 011 BLANC           | SEITE LINKE MCE 011 WEIß         | LATERALA STANGA MCE 011 ALBA         |
| 2   | 73130600  | FIANCO DX MCE 011 BIANCO           | SIDE PANEL RIGHT MCE 011 WHITE     | COTE DROIT MCE 011 BLANC            | SEITE LECHT MCE 011 WEIß         | LATERALA DREAPTA MCE 011 ALBA        |
| 3   | 78041006  | STAFFA FERMA FIANCO SUP.MCE 011    | UPPER LATERAL SUPPORT              | SUPPORT LATERAL SUPERIEUR MCE 011   | OBEREN SEITLICHEN HALT           | SUPORT OPRIRE PARTEA SUP.MCE 011     |
| 4*  | 77607063  | FERMA FIANCO ANTERIORE             | FRONT SIDE BRACKET                 | PLATINE AVANT COTE                  | BUEGEL SEITENBLENDE              | SUPORT LATERALA ANTERIOR             |
| 5   | 77607064  | FERMA FIANCO POSTERIORE            | BACK SIDE BRACKET                  | PLATINE POST. COTE                  | BUEGEL SEITENBLENDE              | SUPORT LATERALA POSTERIOR            |
| 6   | 77607100  | PROFILO DX FIANCO MCE 011          | SIDE RIGHT PROFIL MCE011           | PROFIL LATERAL DROIT MCE 011        | SEITENPROFIL LECHT MCE 011       | PROFIL LATERAL DREAPTA               |
| 7   | 77607101  | PROFILO SX FIANCO MCE 011          | SIDE LEFT PROFIL MCE 011           | PROFIL LATERAL GAUCHE MCE 011       | SEITENPROFIL LINKE MCE011        | PROFIL LATERAL STANGA                |
| 8   | 75287015  | PANN.POST.INF.1GR MCE 011 BIANCO   | BACK LOWER PANEL 1GR WHITE         | PANNEAU POST INF.1GR BLANC          | TAFEL HINTEN UNTERE 1GR WEIß     | PANOU POSTERIOR INFERIOR 1GR ALB     |
| 8   | 75287016  | PANN.POST.INF.2GR MCE 011 BIANCO   | BACK LOWER PANEL 2GR WHITE         | PANNEAU POST INF.2GR BLANC          | TAFEL HINTEN UNTERE 2GR WEIß     | PANOU POSTERIOR INFERIOR 2GR ALB     |
| 8   | 75287017  | PANN.POST.INF.3GR MCE 011 BIANCO   | BACK LOWER PANEL 3GR WHITE         | PANNEAU POST INF.3GR 011 BLANC      | TAFEL HINTEN UNTERE 3GR WEIß     | PANOU POSTERIOR INFERIOR 3GR ALB     |
| 9   | 75287021  | PANN.POST.CENTR.1GR INOX/L         | BACK CENTRAL PANEL 1GR STEEL       | PANNEAU POST CENTR.1GR INOX         | HINTEN MITTELTADEL 1GR STHAL     | PANOU CENTRAL POSTERIOR 1GR INOX     |
| 9   | 75287022  | PANN.POST.CENTR.2GR INOX/L         | BACK CENTRAL PANEL 2GR STEEL       | PANNEAU POST CENTR.2GR INOX         | HINTEN MITTELTADEL 2GR STHAL     | PANOU CENTRAL POSTERIOR 2GR INOX     |
| 9   | 75287023  | PANN.POST.CENTR.3GR INOX/L         | BACK CENTRAL PANEL 3GR STEEL       | PANNEAU POST CENTR.3GR INOX         | HINTEN MITTELTADEL 3GR STHAL     | PANOU CENTRAL POSTERIOR 3GR INOX     |
| 9   | 75287012  | PANN.POST.CENTR.1GR BIANCO         | BACK CENTRAL PANEL 1GR WHITE       | PANNEAU POST CENTR.1GR BLANC        | HINTEN MITTELTADEL 1GR WEIß      | PANOU CENTRAL POSTERIOR 1GR ALB      |
| 9   | 75287013  | PANN.POST.CENTR.2GR BIANCO         | BACK CENTRAL PANEL 2GR WHITE       | PANNEAU POST CENTR.2GR BLANC        | HINTEN MITTELTADEL 2GR WEIß      | PANOU CENTRAL POSTERIOR 2GR ALB      |
| 9   | 75287014  | PANN.POST.CENTR.3GR BIANCO         | BACK CENTRAL PANEL 3GR WHITE       | PANNEAU POST CENTR.3GR BLANC        | HINTEN MITTELTADEL 3GR WEIß      | PANOU CENTRAL POSTERIOR 3GR ALB      |
| 10  | 77607102  | SUPP.PANN.POST.SUP.1GR INOX/L      | SUPPORT BACK UPPER PANEL 1GR STEEL | SUPPORT PANNEAU POST SUP.1GR INOX   | TAFEL HINTEN OBER 1GR STHAL      | SUPORT PANOU POST.SUP.1GR INOX       |
| 10  | 77607103  | SUPP.PANN.POST.SUP.2GR INOX/L      | SUPPORT BACK UPPER PANEL 2GR STEEL | SUPPORT PANNEAU POST SUP.2GR INOX   | TAFEL HINTEN OBER 2GR STHAL      | SUPORT PANOU POST.SUP.2GR INOX       |
| 10  | 77607104  | SUPP.PANN.POST.SUP.3GR INOX/L      | SUPPORT BACK UPPER PANEL 3GR STEEL | SUPPORT PANNEAU POST SUP.3GR INOX   | TAFEL HINTEN OBER 3GR STHAL      | SUPORT PANOU POST.SUP.3GR INOX       |
| 11  | 75287018  | PANN.POST.SUP.1GR INOX/L           | BACK UPPER PANEL 1GR STEEL         | PANNEAU POST SUP.1GR INOX           | HINTEN OBER 1GR STHAL            | PANOU POST.SUP.1GR INOX              |
| 11  | 75287019  | PANN.POST.SUP.2GR INOX/L           | BACK UPPER PANEL 2GR STEEL         | PANNEAU POST SUP.2GR INOX           | HINTEN OBER 2GR STHAL            | PANOU POST.SUP.2GR INOX              |
| 11  | 75287020  | PANN.POST.SUP.3GR INOX/L           | BACK UPPER PANEL 3GR STEEL         | PANNEAU POST SUP.3GR INOX           | HINTEN OBER 3GR STHAL            | PANOU POST.SUP.3GR INOX              |
| 11  | 75287009  | PANN.POST.SUP.1GR BIANCO           | BACK UPPER PANEL 1GR WHITE         | PANNEAU POST SUP.1GR BLANC          | HINTEN OBER 1GR WEIß             | PANOU POST.SUP.1GR ALB               |
| 11  | 75287010  | PANN.POST.SUP.2GR BIANCO           | BACK UPPER PANEL 2GR WHITE         | PANNEAU POST SUP.2GR BLANC          | HINTEN OBER 2GR WEIß             | PANOU POST.SUP.2GR ALB               |
| 11  | 75287011  | PANN.POST.SUP.3GR BIANCO           | BACK UPPER PANEL 3GR WHITE         | PANNEAU POST SUP.3GR BLANC          | HINTEN OBER 3GR WEIß             | PANOU POST.SUP.3GR ALB               |
| 12  | 76100211  | GRIGLIA SUP.1GR INOX/LUC           | COVER GRILL UPPER 1GR INOX         | GRILLE SUPERIEURE 1GR INOX          | OBERGITTER 1GR ATAHL             | GRILAJ SUP.1GR INOX                  |
| 12  | 76100212  | GRIGLIA SUP.2GR INOX/LUC           | COVER GRILL UPPER 2GR INOX         | GRILLE SUPERIEURE 2GR INOX          | OBERGITTER 2GR ATAHL             | GRILAJ SUP.2GR INOX                  |
| 12  | 76100213  | GRIGLIA SUP.3GR INOX/LUC           | COVER GRILL UPPER 3GR INOX         | GRILLE SUPERIEURE 3GR INOX          | OBERGITTER 3GR ATAHL             | GRILAJ SUP.3GR INOX                  |
| 13  | 83150026R | KIT MANOPOLA VAPORE FORMA          | KIT STEAM TAP KNOB FOR FORMA       | KIT POIGNEE VAP FORMA               | KIT HANDGRIFF DAMPF FORMA        | KIT MANOPOLA VAPOR FORMA             |
| 14  | 83150027R | KIT MANOPOLA H2O FORMA             | KIT H2O TAP KNOB FOR FORMA         | KIT POIGNEE H2O FORMA               | KIT HANDGRIFF H2O FORMA          | KIT MANOPOLA H2O FORMA               |
| 15  | 77044117  | COPRICALDAIA ER/1 INOX/LUC         | S.STEEL BOILER COVER 1GR           | COUVRE-CHAUDIERE INOX 1GR           | KESSELDECKEL 1GR STAHL           | PROTECTIE CAZ.ER/1 INOX/LUC          |
| 15  | 77044118  | COPRICALDAIA ER/2 INOX/LUC         | S.STEEL BOILER COVER 2GR           | COUVRE-CHAUDIERE INOX 2GR           | KESSELDECKEL 2GR STAHL           | PROTECTIE CAZ.ER/2 INOX/LUC          |
| 15  | 77044119  | COPRICALDAIA ER/3 INOX/LUC         | S.STEEL BOILER COVER 3GR           | COUVRE-CHAUDIERE INOX 3GR           | KESSELDECKEL 3GR STAHL           | PROTECTIE CAZ.ER/3 INOX/LUC          |
| 15  | 77044120  | COPRICALDAIA ER/1+DISPLAY INOX/LUC | S.STEEL BOILER COVER 1GR+DISPLAY   | COUVRE-CHAUDIERE INOX 1GR+DISPLAY   | KESSELDECKEL 1GR+DISPLAY STAHL   | PROTECTIE CAZ.ER/1+DISPLAY INOX/LUC  |
| 15  | 77044121  | COPRICALDAIA ER/2+DISPLAY INOX/LUC | S.STEEL BOILER COVER 2GR+DISPLAY   | COUVRE-CHAUDIERE INOX 2GR+DISPLAY   | KESSELDECKEL 2GR+DISPLAY STAHL   | PROTECTIE CAZ.ER/2+DISPLAY INOX/LUC  |
| 15  | 77044122  | COPRICALDAIA ER/3+DISPLAY INOX/LUC | S.STEEL BOILER COVER 3GR+DISPLAY   | COUVRE-CHAUDIERE INOX 3GR+DISPLAY   | KESSELDECKEL 3GR+DISPLAY STAHL   | PROTECTIE CAZ. ER/3+DISPLAY INOX/LUC |
| 16  | 21202     | SEGNALIVELLO OVE TUV INCOLORE WEGA | COLORLESS LEVEL INDICATOR OVE-TUV  | SIGNAL NIVEAU OVE-TUV               | FARBLOSER NIVEAUNZEIGER OVE-TUV  | INDICATOR NIVEL OVE-TUV INCOLOR      |
| 17  | 77308049  | PROT.SUP.GRUPPO INOX/L             | SUPERIOR PROTECTION GROUP INOX/L   | PROTECTION GROUPE SUPERIEURE INOX/L | HERVORRANGENDEN SCHUTZ GR.INOX/L | PROTECTIE SUPERIOARA GRUP INOX/L     |
| 18  | 77308048  | PROT.INF.GRUPPO INOX/L             | LOWER PROTECTION GROUP INOX        | PROTECTION GROUPE INF.INOX          | UNTEREN SCHUTZGRUPPE INOX        | PROTECTIE INF.GRUP INOX/L            |

4\* 77607063 sost. da 77607148 (avviamento con N.F.: M59649)

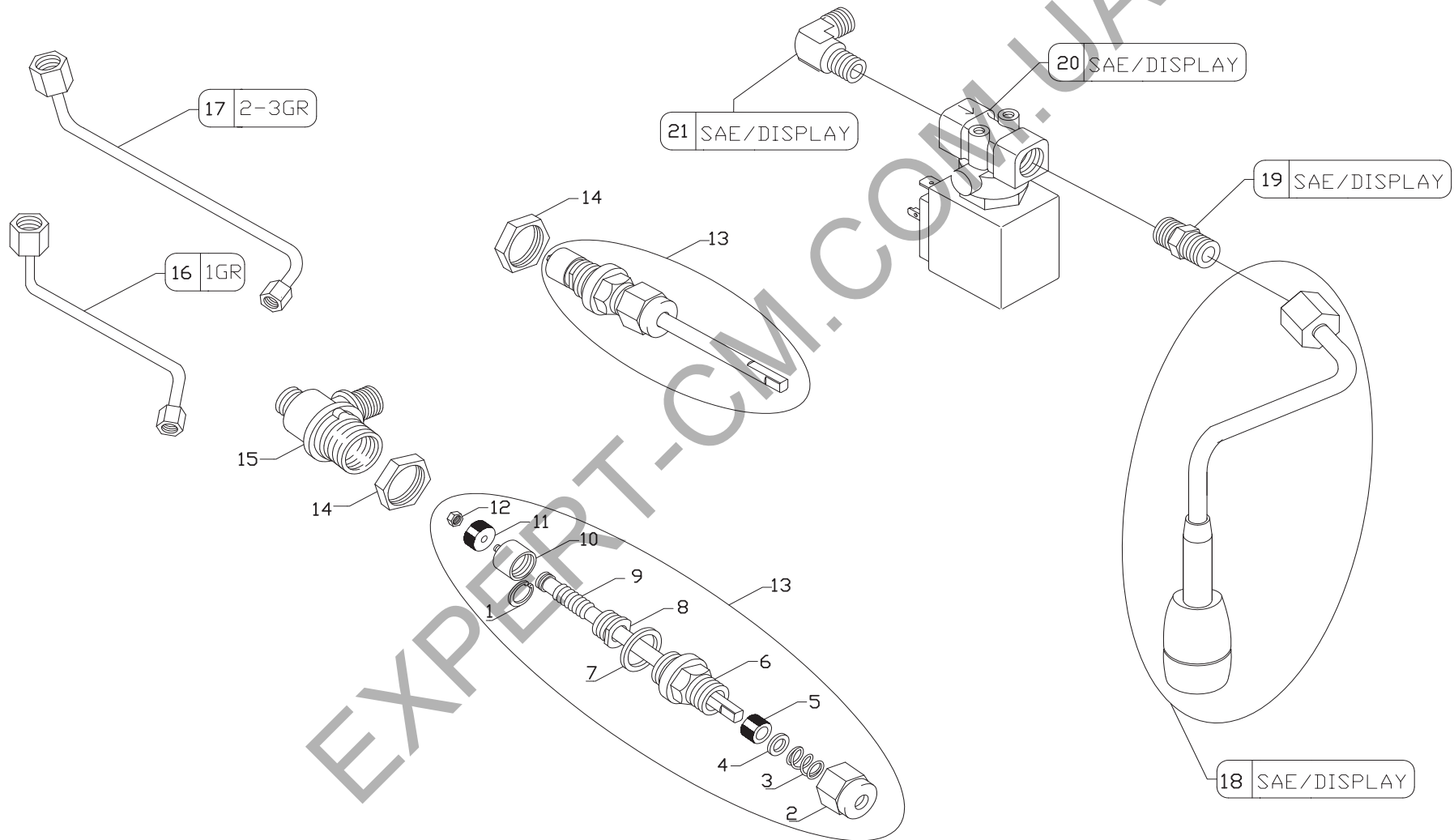


| Pos | Cod.     | Denominazione - IT -                    | Denomination - GB -                      | Denomination - FR -                   | Denomination - DE -                 | Denumire - RO -                       |
|-----|----------|---|--|---------------------------------------|-------------------------------------|---------------------------------------|
| 19  | 15486002 | TAPPO FORO INTERRUOTORE                 | SWITCH HOLE PLUG                         | CAPUCHON TROU INTERRUPT.              | ABDECKUNG SCHALTERLOCH              | CAPAC DIN PLASTIC PT.INTRRUPATOR      |
| 20  | 23420    | VITE TE OTTONE M6x12 NICHELATA          | M6x12NICKEL-PLATED BRASS HEX.HEAD SCREW  | VIS TH LAITON M6x12 NICHELEE          | SECHSKANTSCHRAUBE AUS MESSING M6x12 | SURUB DIN ALAMA M6x12 NICHELAT        |
| 21  | 77607020 | SUPPORTO DESTRO-SINISTRO FIANCO         | RIGHT-LEFT SUPPORT                       | SUPPORT DROIT-GAUCHE                  | RECHTS/LINKS HALTER                 | SUPORT LATERALA DREAPTA-STANGA        |
| 22  | 78150072 | SUPPORTO MANOMETRO 1>3GR                | GAUGE SUPPORT 1>3GR                      | SUPPORT MANOMETRE 1>3GR               | MANOMETERHALTER 1>3GR               | SUPORT MANOMETRU 1>3GR                |
| 23  | 77741    | GUIDA DX-SX BACINELLAxTELAI             | R-L BASIN GUIDE FOR FRAMES               | GUIDE DX-SX CUVE x CHASSIS            | FÜHRUNG R-L SCHALE FÜR RAH          | GHIDAJ DR-ST.PT.TAVA DE SCURGERE      |
| 24  | 77742005 | DISTANZIALE GUIDA BACINELLA             | SPACER GLOSSY                            | ENTRETOISE CUVE                       | DISTANZSTUCK                        | DIST.PT.GHIDAJ PT.TAVA DE SCURGERE    |
| 25  | 12155001 | GUARNIZIONE CU 8.5x3.3x1                | COPPER GASKET 8.5X3.3X1                  | JOINT CU 8.5X3.3X1                    | CU DICHTUNG 8.5x3.3x1               | GARN.DIN CU 8.5x3.3x1                 |
| 26  | 21112    | MANOMETRO TONDO DOPPIA SCALA            | PRESSURE GAUGE                           | MANOMETRE                             | MANOMETER                           | MANOMETRU                             |
| 27  | 21114    | MANOMETRO TONDO 16Bar                   | ROUND PRESSURE GAUGE 16ATM               | MANOMETRE ROND 16 Atm                 | MANOMETER 16 Atm                    | MANOMETRU 16 BAR                      |
| 28  | 15318    | PIEDINO REGOL. INOX/SAT H55/69          | ADJUSTABLE FOOT H55/69                   | PIED REGLABLE H55/69                  | REGELBARER FUSS H55/69              | PICIOARE REGLABILE INOX/SAT H55/69    |
| 29  | 77487454 | PROF.BAS.ANT.1GR BIANCO                 | PROF.BAS.ANT 1GR WHITE                   | PROF.BAS.ANT 1GR BLANC                | BASISPRPOF.VORDER 1GR WEIß          | PROF.BAZ.ANT.1GR ALB                  |
| 29  | 77487455 | PROF.BAS.ANT.2GR BIANCO                 | PROF.BAS.ANT 2GR WHITE                   | PROF.BAS.ANT 2GR BLANC                | BASISPRPOF.VORDER 2GR WEIß          | PROF.BAZ.ANT.2GR ALB                  |
| 29  | 77487456 | PROF.BAS.ANT.3GR BIANCO                 | PROF.BAS.ANT 3GR WHITE                   | PROF.BAS.ANT 3GR BLANC                | BASISPRPOF.VORDER 3GR WEIß          | PROF.BAZ.ANT.3GR ALB                  |
| 30  | 76095    | BACINELLA 1GR INOX LUCIDO               | 1GR GLOSSY STAINLESS STEEL TRAY          | BASSINELLE 1GR INOX BRILLANT          | STAHLSCHALE 1GR                     | TAVA DE SCURGERE DIN INOX/L 1GR       |
| 30  | 76096    | BACINELLA 2GR INOX LUCIDO               | 2GR GLOSSY STAINLESS STEEL TRAY          | BASSINELLE 2GR INOX BRILLANT          | STAHLSCHALE 2GR                     | TAVA DE SCURGERE DIN INOX/L 2GR       |
| 30  | 76097    | BACINELLA 3GR INOX LUCIDO               | 3GR GLOSSY STAINLESS STEEL TRAY          | BASSINELLE 3GR INOX BRILLANT          | STAHLSCHALE 3GR                     | TAVA DE SCURGERE DIN INOX/L 3GR       |
| 31  | 76153000 | GRIGLIA INF. INOX LUC.456x201           | LOWER GRILL 456x201 SHINY S.STEEL        | GRILLE INF. INOX 456x201              | STAHL-UNTERGITTER 456x201           | GRILAJ INF.DIN INOX 456x201.          |
| 32  | 76154000 | GRIGLIA INF.DX INOX LUC.338.5x201       | RIGHT LOWER GRILL -SHINY S.STEEL         | GRILLE INF.DROIT INOX 338,5x201       | STAHL-UNTER-RECHTEGITTER 338,5x201  | GRILAJ INF.DR.DIN INOX 338.5x201      |
| 33  | 76155000 | GRIGLIA INF.SINISTRA INOX LUC.338.5x201 | LEFT LOWER GRILL - SHINY S.STEEL         | GRILLE INF.GAUCHE INOX 338,5x201      | STAHL-UNTER-LINKEGITTER 338,5x201   | GRILAJ INF.ST.DIN INOX 338.5x201      |
| 34  | 76156000 | GRIGLIA INF. INOX LUC. 253x201          | LOWER GRILL 253x201 - SHINY S.STEEL      | GRILLE INF. INOX 253x201              | STAHL-UNTERGITTER 253x201           | GRILAJ INF. INOX 253x201              |
| 35  | 15373058 | SUPPORTO TASTO CROMATO SIBILLA          | KEY SUPPORT CHROMED SIBILLA              | SUPPORT TOUCHE CHROMEE SIBILLA        | TASTEHALTER CHROM SIBILLA           | SUPORT TASTE SIBILLA                  |
| 36  | 15373057 | TASTO PULSANTIERE CROMATO SIBILLA       | CHROMED KEY SIBILLA                      | TOUCHE CHROMEE SIBILLA                | CHROM TASTE SIBILLA                 | BUTON SIBILLA                         |
| 37  | 70848890 | FRONTONE AEP/1 MCE 011 INOX             | AEP FRONT/1 MCE 011 STEEL/LUC            | ELEM.FRONT AEP/1 MCE 011 INOX         | FRONT.AEP/1 MCE 011 STAHL           | FRONT.AEP/1 MCE 011 INOX              |
| 37  | 70848891 | FRONTONE AEP/2 MCE 011 INOX             | AEP FRONT/2 MCE 011 STEEL/LUC            | ELEM.FRONT AEP/2 MCE 011 INOX         | FRONT.AEP/2 MCE 011 STAHL           | FRONT.AEP/2 MCE 011 INOX              |
| 37  | 70848892 | FRONTONE AEP/3 MCE 011 INOX             | AEP FRONT/3 MCE 011 STEEL/LUC            | ELEM.FRONT AEP/3 MCE 011 INOX         | FRONT.AEP/3 MCE 011 STAHL           | FRONT.AEP/3 MCE 011 INOX              |
| 38  | 70848893 | FRONTONE SAE/1 MCE 011 INOX             | SAE FRONT/1 MCE 011 STEEL/LUC            | ELEM.FRONT SAE/1 MCE 011 INOX         | FRONT.SAE/1 MCE 011 STAHL           | FRONT.SAE/1 MCE 011 INOX              |
| 38  | 70848894 | FRONTONE SAE/2 MCE 011 INOX             | SAE FRONT/2 MCE 011 STEEL/LUC            | ELEM.FRONT SAE/2 MCE 011 INOX         | FRONT.SAE/2 MCE 011 STAHL           | FRONT.SAE/2 MCE 011 INOX              |
| 38  | 70848895 | FRONTONE SAE/3 MCE 011 INOX             | SAE FRONT/3 MCE 011 STEEL/LUC            | ELEM.FRONT SAE/3 MCE 011 INOX         | FRONT.SAE/3 MCE 011 STAHL           | FRONT.SAE/3 MCE 011 INOX              |
| 39  | 70848896 | FRONTONE SAE/1+DISPLAY MCE 011 INOX     | SAE FRONT/1+DISPLAY MCE 011 STEEL/LUC    | ELEM.FRONT SAE/1+DISPLAY MCE 011 INOX | FRONT.SAE/1+DISPLAY MCE 011 STAHL   | FRONT.SAE/1+DISPLAY MCE 011 INOX      |
| 39  | 70848897 | FRONTONE SAE/2+DISPLAY MCE 011 INOX     | SAE FRONT/2+DISPLAY MCE 011 STEEL/LUC    | ELEM.FRONT SAE/2+DISPLAY MCE 011 INOX | FRONT.SAE/2+DISPLAY MCE 011 STAHL   | FRONT.SAE/2+DISPLAY MCE 011 INOX      |
| 39  | 70848898 | FRONTONE SAE/3+DISPLAY MCE 011 INOX     | SAE FRONT/3+DISPLAY MCE 011 STEEL/LUC    | ELEM.FRONT SAE/3+DISPLAY MCE 011 INOX | FRONT.SAE/3+DISPLAY MCE 011 STAHL   | FRONT.SAE/3+DISPLAY MCE 011 INOX      |
| 40  | 18262    | INT.BIP.LUM.BIANCO B418C1L110000        | WHITE LIGHT BIPOLAR SWITCH B418C1L110000 | INT.BIP.LUMINEUX BLANC B418C1L110000  | WEIßES LICHT BIPOLAREN SCHALTE      | INTR.BIPOLAR LUMINOS ALBB418C1L110000 |
| 41  | 18359101 | PULSANT.CAPACIT.4T x TC BIANCO          | CAPACITIVE TOUCH PAD 4TxC WHITE          | CLAVIER CAPACITIF 4TxC BLANC          | KAPAZITIVEN TASTATUR 4TxC WEIß      | TASTATURA CAPACITIVA 4TxC ALBA        |
| 42  | 18088013 | MODULO DISPLAY BIANCO x TC              | DISPLAY xTC WHITE                        | DISPLAY xTC BLANC                     | DISPLAY xTC WEIß                    | DISPLAY xTC ALB                       |
| 43  | 77308045 | COPRIMPIANTO 1GR MCE 011                | CABLE - COVER 1GR MCE 011                | COUVRE - CABLAGE 1GR MCE 011          | VERDAHTUNHDECKEL 1GR MCE011         | PROT.INST.1GR MCE 011                 |
| 43  | 77308046 | COPRIMPIANTO 2GR MCE 011                | CABLE - COVER 2GR MCE 011                | COUVRE - CABLAGE 2GR MCE 011          | VERDAHTUNHDECKEL 2GR MCE011         | PROT.INST.2GR MCE 011                 |
| 43  | 77308047 | COPRIMPIANTO 3GR MCE 011                | CABLE - COVER 3GR MCE 011                | COUVRE - CABLAGE 3GR MCE 011          | VERDAHTUNHDECKEL 2GR MCE011         | PROT.INST.3GR MCE 011                 |
| 44  | 18371058 | PULS.UNIP.N.A.SIBILLA                   | SINGLE POLE PUSHBUTTON                   | AUTOCOL.POIGNEE NOIR ROB.VAP/H2O      | EINPOLIGER TASTER                   | TASTA UNIPOLARA SIBILLA               |



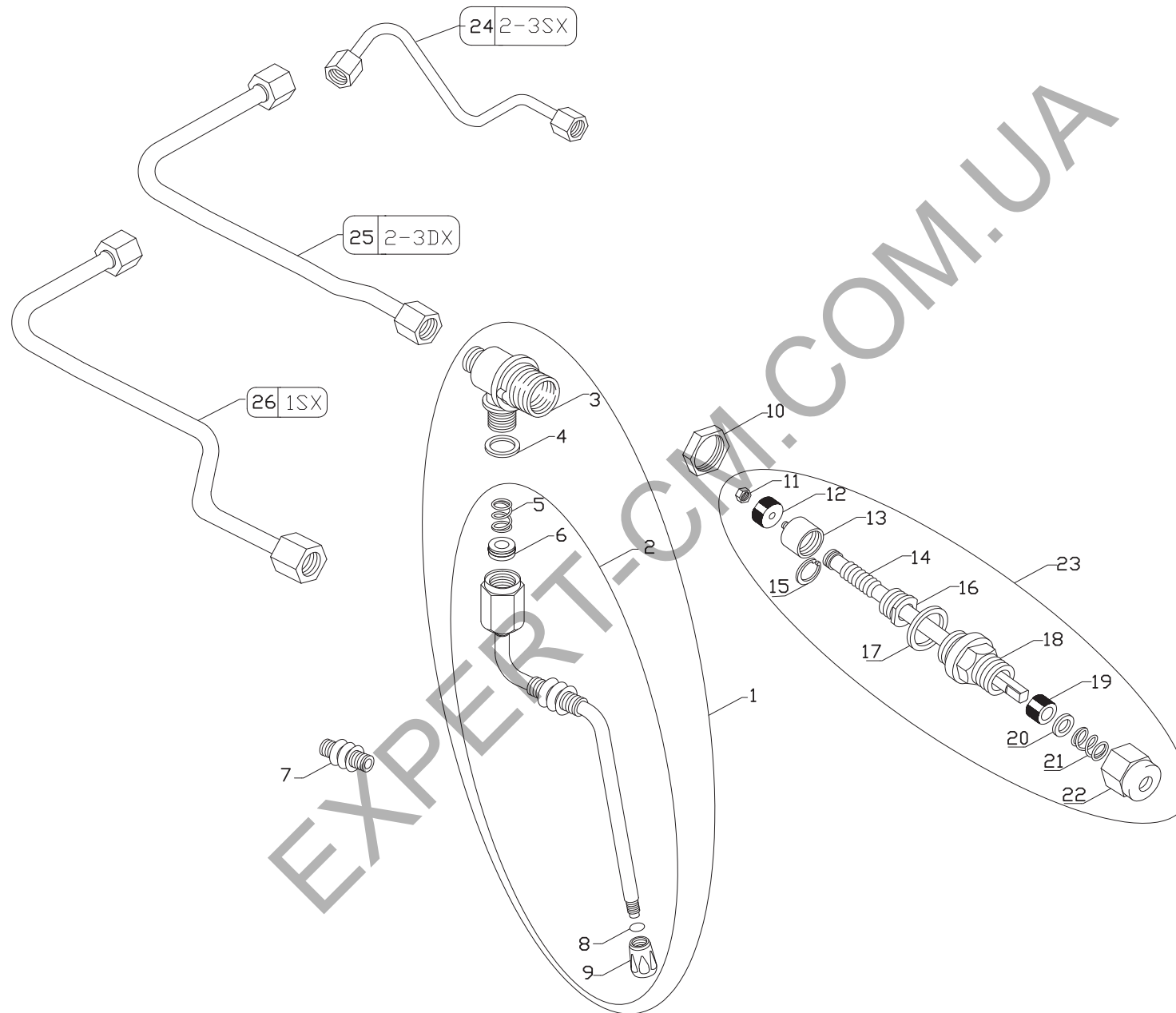


| Pos. Cod    | Denominazione - IT -                          | Denomination - GB -                    | Denomination - FR -                     | Denomination - DE -                    | Denumire - RO -                              |
|-------------|---|--|---|--|--|
| 1 10001     | ANELLO ARRES.D6 INOX 316 DIN 6799             | STEEL CIRCLIP 316 DIN 6799             | CIRCLIP INOX 316 DIN 6799               | STAHLHALTENRING 316 DIN 6799           | INEL OPRIRE D.6 INOX 316 DIN 6799            |
| 2 25385001  | DADO PREMISTOPPA COMPLETO                     | STUFFING NUT COMPLETE                  | ECROU DE PRESSE-ETOUPE COMPLET          | STOPFBUCHSE MUTTER GANZ                | PIULITA-DOP COMPLET                          |
| 3 10452     | MOLLA RUBINETTO H2O/VAPORE N4                 | WATER/STEAM TAP SPRING N4              | RESSORT DE ROB.EAU-VAPEUR N4            | WASSER/DAMPF HAHNFED. N4               | ARC PT. ROB.DE APA /VAP.N4                   |
| 4 25655     | RONDELLA RUBINETTO                            | TAP WASHER                             | RONDELLE ROBINET                        | HAHNSCHEIBE                            | SAIBA ROBINET                                |
| 5 12204     | GU GOMMA RUBIN. H2O/VAP 12.5x7.5x9            | TAP RUBBER GASKET 12.5x7.5x9           | JOINT CAOUTCHOUC ROB. 12.5X7.5X9        | HAHNDICHTUNG 12.5x7.5x9                | GARN.CAUCIUC PT. ROB DE APA/VAP.             |
| 6 25678001  | RACC.RUBINETTO                                | TAP FITTING                            | RACCORD ROBINET                         | HAHNANSCHLUSSTUCK                      | RACORD ROBINET                               |
| 7 12158     | GU CU RUB. 26x20.5x2                          | 26x20.5x2 GASKET COPPER SEAL           | JOINT CUIVRE 26x20.5x2                  | KUPFERDICHTUNG 26x20.5x2               | GARN.DIN CUPRU PT. ROB. 26x20.5x2            |
| 8 25461     | GHIERA RUBINETTO                              | TAP RING NUT                           | EMBOUT ROBINET                          | HAHNZWINGE                             | PIULITA INELARA PT. ROBINET                  |
| 9 25311     | ASTA RUBINETTO L109 CROMATA                   | CHROMED TAP ROD 109L                   | TIGE ROBINET L109 CHROMEE               | VERCHROMTE HAHNSTANGE L109             | SURUB AUTOFILETANT PT.ROBINET,CROMAT L109.   |
| 10 25616    | PISTONCINO RUBINETTO                          | TAP JUMPER                             | PISTON ROBINET                          | HAHNKOLBEN                             | PISTON ROBINET                               |
| 11 12203    | GU GOMMA 15x4x4                               | RUBBER GASKET 15x4x4                   | JOINT EN CAOUTCHOUC 15X4X4              | GUMMIDICHTUNG 15x4x4                   | GARNITURA DIN CAUCIUC 15x4x4                 |
| 12 23050    | DADO OTTONE M3 UNI 5587                       | BRASS NUT M3 UNI 5587                  | ECROU LAITON M3 UNI 5587                | MESSING-MUTTER M3 UNI 5587             | PIULITA DIN ALAMA M3 UNI 5587                |
| 13 561021   | ASSIEME RUBINETTO H2O/VAPORE                  | H20/STEAM TAP ASSEMBLY                 | ENSEMBLE ROBINET H20/VAPEUR             | SATZ HAHN H20/DAMPF                    | ANSAMBLU ROBINETI H2O/VAPORI                 |
| 14 25384    | DADO OTTONE M26x1.5                           | BRASS NUT 26X1.5                       | ECROU LAITON 26X1.5                     | MESSING-MUTTER 26X1.5                  | PIULITA DIN ALAMA M26x1.5                    |
| 15 53003    | CORPO RUBINETTO                               | TAP BODY                               | CORPS DE ROBINET                        | HAHNKRPER                              | CORP ROBINET                                 |
| 16 52005007 | TBS.D-8 L.290 AEP 1GR FM8 MCE 011 CLD > EV H  | TUBE D-8 L.290 AEP 1GR FM8 MCE 011     | TUYAU D-8 L.290 AEP 1GR FM8 MCE 011     | ROHR D-8 L.290 AEP 1GR FM8 MCE 011     | TUB D-8 L.290 AEP 1GR FM8 MCE 011 CAZAN > EV |
| 17 52003019 | TBS.D-10 L.315 AEP 2-3GR FM20 MCE 011 CLD > E | TUBE D-10 L.315 AEP 2-3GR FM20 MCE 011 | TUYAU D-10 L.315 AEP 2-3GR FM20 MCE 011 | ROHR D-10 L.315 AEP 2-3GR FM20 MCE 011 | TUB D-10 L.315 AEP 2-3GR FM20 MCE 011 CAZAN> |
| 18 56119129 | ASS.TUBO H2O Cr MOBILE GL22                   | WATER PIPE Cr MOBILE GL22              | TUYAU EAU Cr MOBILE GL22                | ROHR WASSER Cr MOBILE GL22             | ASS.TUB H2O Cr GL22                          |

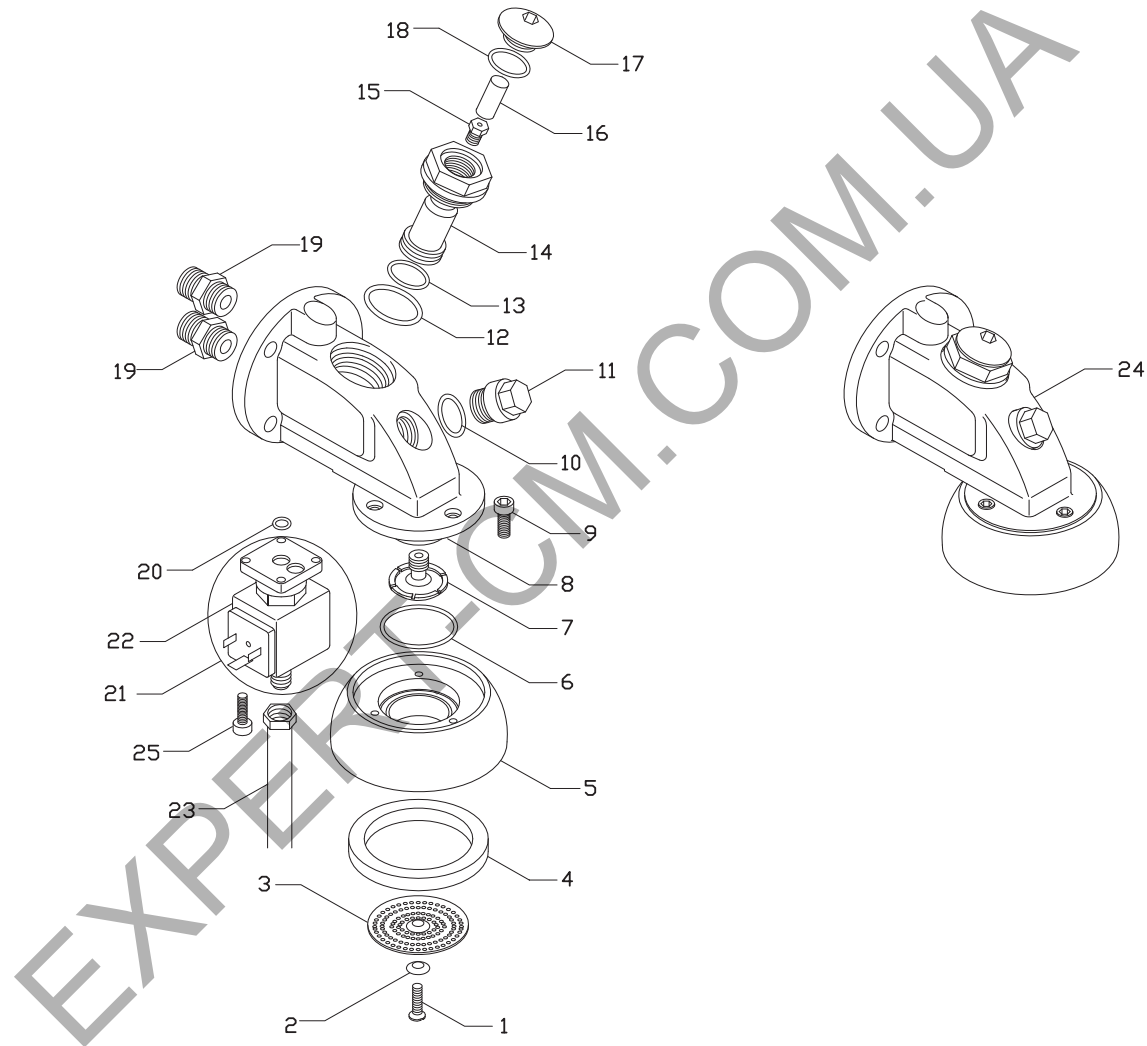


| Pos. Cod | Denominazione - IT -                        | Denomination - GB -                        | Denomination - FR -                   | Denomination - DE -                   | Denumire - RO -                            |
|----------|---|--|---------------------------------------|---------------------------------------|--|
| 1        | 10001 ANELLO ARRES.D6 INOX 316 DIN 6799     | STEEL CIRCLIP 316 DIN 6799                 | CIRCLIP INOX 316 DIN 6799             | STAHLHALTENRING 316 DIN 6799          | INEL OPRIRE D.6 INOX 316 DIN 6799          |
| 2        | 25385001 DADO PREMISTOPPA COMPLETO          | STUFFING NUT COMPLETE                      | ECROU DE PRESSE-ETOUPE COMPLET        | STOPFBUCHSE MUTTER GANZ               | PIULITA-DOP COMPLET                        |
| 3        | 10452 MOLLA RUBINETTO H2O/VAPORE N4         | WATER/STEAM TAP SPRING N4                  | RESSORT DE ROB.EAU-VAPEUR N4          | WASSER/DAMPF HAHNFED. N4              | ARC PT. ROB.DE APA /VAP.N4                 |
| 4        | 25655 RONDELLA RUBINETTO                    | TAP WASHER                                 | RONDELLE ROBINET                      | HAHNSCHEIBE                           | SAIBA ROBINET                              |
| 5        | 12204 GU GOMMA RUBIN. H2O/VAP 12.5x7.5x9    | TAP RUBBER GASKET 12.5x7.5x9               | JOINT CAOUTCHOUC ROB. 12.5X7.5X9      | HAHNDICHTUNG 12.5x7.5x9               | GARN.CAUCIUC PT. ROB DE APA/VAP.           |
| 6        | 25678001 RACC.RUBINETTO                     | TAP FITTING                                | RACCORD ROBINET                       | HAHNANSCHLUSSTUCK                     | RACORD ROBINET                             |
| 7        | 12158 GU CU RUB. 26x20.5x2                  | 26x20.5x2 GASKET COPPER SEAL               | JOINT CUIVRE 26x20.5x2                | KUPFERDICHTUNG 26x20.5x2              | GARN.DIN CUPRU PT. ROB. 26x20.5x2          |
| 8        | 25461 GHIERA RUBINETTO                      | TAP RING NUT                               | EMBOUT ROBINET                        | HAHNZWINGE                            | PIULITA INELARA PT. ROBINET                |
| 9        | 25311 ASTA RUBINETTO L109 CROMATA           | CHROMED TAP ROD 109L                       | TIGE ROBINET L109 CHROME              | VERCHROMTE HAHNSTANGE L109            | SURUB AUTOFILETANT PT.ROBINET,CROMAT L109. |
| 10       | 25616 PISTONCINO RUBINETTO                  | TAP JUMPER                                 | PISTON ROBINET                        | HAHNKOLBEN                            | PISTON ROBINET                             |
| 11       | 12203 GU GOMMA 15x4x4                       | RUBBER GASKET 15x4x4                       | JOINT EN CAOUTCHOUC 15X4X4            | GUMMIDICHTUNG 15x4x4                  | GARNITURA DIN CAUCIUC 15x4x4               |
| 12       | 23050 DADO OTTONE M3 UNI 5587               | BRASS NUT M3 UNI 5587                      | ECROU LAITON M3 UNI 5587              | MESSING-MUTTER M3 UNI 5587            | PIULITA DIN ALAMA M3 UNI 5587              |
| 13       | 561021 ASSIEME RUBINETTO H2O/VAPORE         | H20/STEAM TAP ASSEMBLY                     | ENSEMBLE ROBINET H20/VAPEUR           | SATZ HAHN H20/DAMPF                   | ANSAMBLU ROBINET H20/VAPORI                |
| 14       | 25384 DADO OTTONE M26x1.5                   | BRASS NUT 26X1.5                           | ECROU LAITON 26X1.5                   | MESSING-MUTTER 26X1.5                 | PIULITA DIN ALAMA M26x1.5                  |
| 15       | 53003 CORPO RUBINETTO                       | TAP BODY                                   | CORPS DE ROBINET                      | HAHNKRPER                             | CORP ROBINET                               |
| 16       | 52005018 TBS.D-8 L.220 1GR FM19 CLD> EV H2O | TUBE D-8 L.220 1GR FM19                    | TUYAU D-8 L.220 1GR FM19              | ROHR D-8 L.220 1GR FM19               | TUB D-8 L.220 1GR FM19 CAZ>EV H2O          |
| 17       | 52005000 TBS.D-8 L.300 2-3GR FM CLD>EV H2O  | TUBE D-8 L.300 2-3GR FM                    | TUYAU D-8 L.300 2-3GR FM              | ROHR D-8 L.300 2-3GR FM               | TUB D-8 L.300 2-3GR FM CAZ>EV H2O          |
| 18       | 56119043 ASS.TUBO Cr H2O FISSA SP18         | COMPLETE WATER PIPE SP18                   | TUYAU EAU CR SP 18                    | ROHR WASSER CR SP 18                  | ANSAMBLU TUB DE APA CROMAT SP18            |
| 19       | 23228001 RACC.DRITTO 1/8M 3/8M OT/Ni        | Straight connection 1/8M 3/8M              | RACCORD DROIT 1/8M 3/8M               | GERADE VERSCHRAUBUNG 1/8M 3/8M        | RACORD DE ALAMA NICHELAT 1/8M 3/8M         |
| 20       | 18160053 EL.AEA 220-230V 50/60Hz L120V12    | SOL.VALVE WATER REFILL 220-230V/50 L120V12 | EL.AEA 220-230V/50 L120V12            | ELEKTROVENTIL AEA 220-230V/50 L120V12 | ELECTROVALVA AEA SIRAI 220-230V 50Hz       |
| 21       | 23201 RACC.OTT.GOM.D6.2 1/4x1/8-AEA         | ELBOW BRASS CONNECTOR D6.2 1/4x1/8-AEA     | RACCORD COUDE LAITON D6.2 1/4x1/8-AEA | MESSING-ANSCHLUSS D6.2 1/4x1/8-AEA    | RACORD ALAMA CAUCIUC D6.2 1/4x1/8 AEA.     |

EXPERTSFORM.COM

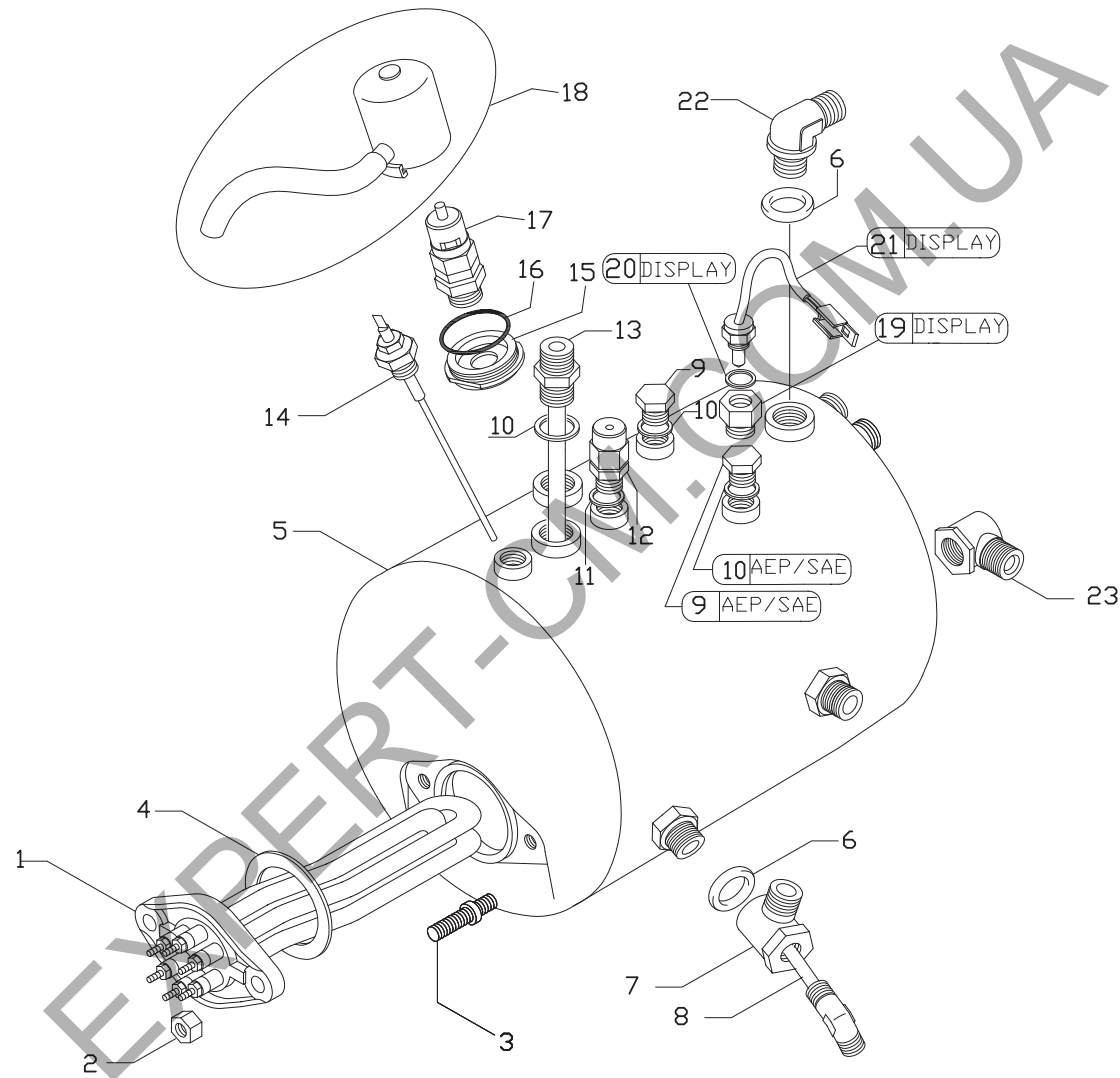


| Pos Cod. | Denominazione - IT -                                   | Denomination - GB -                 | Denomination - FR -                 | Denomination - DE -                 | Denumire - RO -                              |
|----------|--|-------------------------------------|-------------------------------------|-------------------------------------|--|
| 1        | 25763344 ASS.TUBO VAP.IN.D.8 SPRUZZ.4FORI+C.           | STAINLESS STEEL STEAM ARM D8        | TUYAU VAPEUR INOX SP. D.8           | SATZ DAMPF ROHR INOX D.8-DAMPFDUSE  | ANS.TUB VAP.D8-DISP.DE ELIB.VAP-4 ORIF       |
| 2        | 25763149 TUBO VAP.IN.D.8 SPRUZZ.4FORI                  | TUBE STEAM STAINLESS STEEL ARM D.8  | TUYAU VAPEUR INOX D.8 ATOMISEUR     | DAMPF ROHR INOX D.8-DAMPFDUSE       | TUB VAP.I.D.8 CU DISP.DE ELIB.VAP-4ORI       |
| 3        | 53003 CORPO RUBINETTO                                  | TAP BODY                            | CORPS DE ROBINET                    | HAHNKRPER                           | CORP ROBINET                                 |
| 4        | 12010 GU TEFLON x H2O/VAP 21x17x2 cnn                  | PIPE GASKET TEFLON 21x17x2          | JOINT TUYAU TEF.EAU/VAP 21x17x2     | TEFLON-DICHTUNG WASSER/VAP 21x17x2  | GARNITURA DE TEFLONxH2O/VAP. 21x17x2         |
| 5        | 10465001 MOLLA DE 11,4 DF 1,7 L.6 AISI 302             | S.STEAM PIPE SPRING D11,4/1,7 L.6   | RESORT TUYAU VAP.IN.D11,4/1,7 L6    | FEDER DAMPF.EDELSTAHL D11,4/1,7L.6  | ARC 11,4 DF 1,7 L.6 AISI 302                 |
| 6        | 12661 GU.OR CON LUNETTA P.M.CANNA VAP.IN               | OR REST FOR ST.STEEL STEAM PIPE     | OR LUNETTE P.RESS.TUYAU VAP. IN     | HALBE OR-DICHT.F.FEDER DAMPFROHR ED | GARN.OR PT.ARC SI TUB DE VAP.INOX            |
| 7        | 15296000 GOMMINO ANTISCOT.RA x TUBO VAP.D8             | AN-BURNING RUBBER EL.FOR ST.PIPE D8 | ELEM.AN-BRULURE POUR T.VAP. D-8     | GUMMI GEGEN VERBRENNUNGEN F. D.8    | CAUCIUC IMP.ARD.PT.TEAVA DE VAP.D.8          |
| 8        | 12662000 GU.ORM 0060 - 15 SPRUZZATORE                  | GASKET ORM 0060-15                  | JOINT ORM 0060-15                   | DICHTUNG ORM 0060-15                | GARNITURA ORM 0060 - 15 PT. PULVERI.         |
| 9        | 25763080 SPRUZZ.VAP.IN.M8x1 4 FORI x TUBO D.8          | STEEL STEAM SPRAYER                 | VAPORISATEUR INOX                   | STAHLDAMPFER                        | DISP.DE ELIB.VAP.-IN.CU 4GAURIX TUB D8       |
| 10       | 25384 DADO OTTONE M26x1.5                              | BRASS NUT 26X1.5                    | ECROU LAITON 26X1.5                 | MESSING-MUTTER 26X1.5               | PIULITA DIN ALAMA M26x1.5                    |
| 11       | 23050 DADO OTTONE M3 UNI 5587                          | BRASS NUT M3 UNI 5587               | ECROU LAITON M3 UNI 5587            | MESSING-MUTTER M3 UNI 5587          | PIULITA DIN ALAMA M3 UNI 5587                |
| 12       | 12203 GU GOMMA 15x4x4                                  | RUBBER GASKET 15x4x4                | JOINT EN CAOUTCHOUC 15X4X4          | GUMMIDICHTUNG 15x4x4                | GARNITURA DE CAUCIUC 15x4x4                  |
| 13       | 25616 PISTONCINO RUBINETTO                             | TAP JUMPER                          | PISTON ROBINET                      | HAHNKOLBEN                          | PISTON ROBINET                               |
| 14       | 25311 ASTA RUBINETTO L109 CROMATA                      | CHROMED TAP ROD 109L                | TIGE ROBINET L109 CHROME            | VERCHROMTE HAHNSTANGE L109          | SURUB AUTOFILETANT PT.ROBINET,CROMAT L109.   |
| 15       | 10001 ANELLO ARRESTO D6 INOX 316 DIN 6799              | STEEL CIRCLIP 316 DIN 6799          | CIRCLIP INOX 316 DIN 6799           | STAHLHALTENRING 316 DIN 6799        | INEL OPRIRE D.6 INOX 316 DIN 6799            |
| 16       | 25461 GHIERA RUBINETTO                                 | TAP RING NUT                        | EMBOUT ROBINET                      | HAHNZWINGE                          | PIULITA INELARA PENTRU ROBINET               |
| 17       | 12158 GU CU RUB. 26x20.5x2                             | GASKET 26x20.5x2                    | JOINT 26x20.5x2                     | DICHTUNG 26x20.5x2                  | GARNITURA DIN CUPRU PT. ROB.26x20.5x2        |
| 18       | 25678001 RACC.RUBINETTO                                | TAP FITTING                         | RACCORD ROBINET                     | HAHNANSCHLUSSTUCK                   | RACORD ROBINET                               |
| 19       | 12204 GU GOMMA RUBIN. H2O/VAP 12.5x7.5x9               | TAP RUBBER GASKET 12.5x7.5x9        | JOINT CAOUTCHOUC ROB. 12.5X7.5X9    | HAHNDICHTUNG 12.5x7.5x9             | GARN.CAUCIUC PT. ROB. DE APA/VAP.            |
| 20       | 25655 RONDELLA RUBINETTO                               | TAP WASHER                          | RONDELLE ROBINET                    | HAHNSCHEIBE                         | SAIBA ROBINET                                |
| 21       | 10452 MOLLA RUBINETTO H2O/VAPORE N4                    | WATER/STEAM TAP SPRING N4           | RESSORT DE ROBINET EAU-VAPEUR N4    | WASSER/DAMPF HAHNFEDER N4           | ARC PT. ROB. DE APA/VAPORI N4                |
| 22       | 25385001 DADO PREMISTOPPA COMPLETO                     | STUFFING NUT COMPLETE               | ECROU DE PRESSE-ETOUPE COMPLET      | STOPFBUCHSE MUTTER GANZ             | PIULITA-DOP COMPLET                          |
| 23       | 561021 ASSIEME RUBINETTO H2O/VAPORE                    | H2O/STEAM TAP ASSEMBLY              | ENSEMBLE ROBINET H2O/VAPEUR         | SATZ HAHN H2O/DAMPF                 | ANSAMBLU ROBINET H2O/VAPORI                  |
| 24       | 52005011 TBS.D-10 L.320 2-3GR FM12 MCE 011 CLD > VAP.S | TUBE D-10 L.320 2-3GR FM12 MCE 011  | TUYAU D-10 L.320 2-3GR FM12 MCE 011 | ROHR D-10 L.320 2-3GR FM12 MCE 011  | TUB D-10 L.320 2-3GR FM12 MCE 011 CAZAN>VAP. |
| 25       | 52005003 TBS.D-10 L.280 FM4 MCE 011 CLD > VAP.DX       | TUBE D-10 L.280 FM4 MCE 011         | TUYAU D-10 L.280 FM4 MCE 011        | ROHR D-10 L.280 FM4 MCE 011         | TUB D-10 L.280 FM4 MCE 011 CAZAN>VAP.DR.     |
| 26       | 52005002 TBS.D-10 L.310 FM3 MCE 011 CLD > VAP.SX       | TUBE D-10 L.310 FM3 MCE 011         | TUYAU D-10 L.310 FM3 MCE 011        | ROHR D-10 L.310 FM3 MCE 011         | TUB D-10 L.310 FM3 MCE 011 CAZAN>VAP.ST.     |

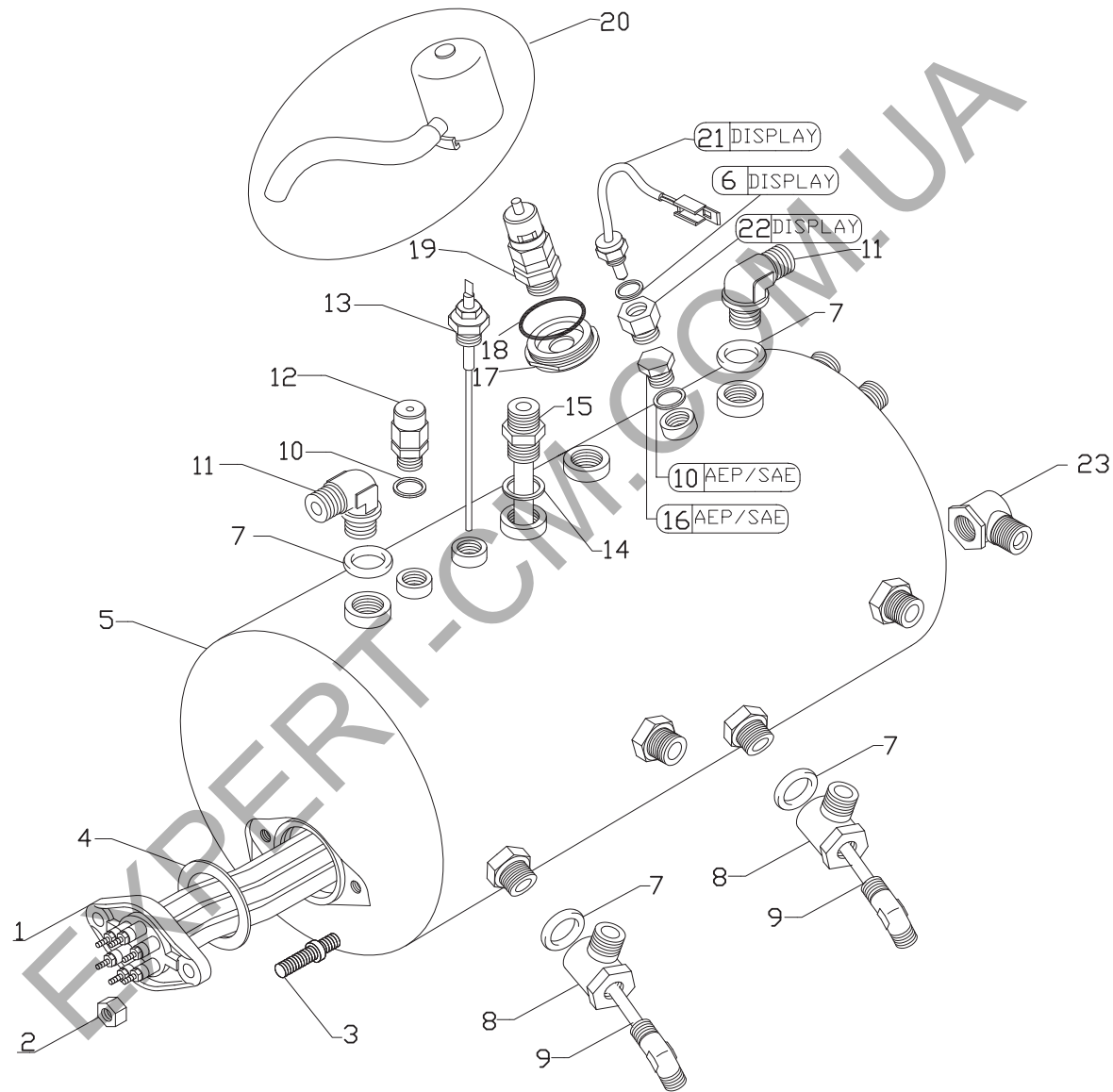


| Pos.Cod.    | Denominazione - IT -                | Denomination - GB -                      | Denomination - FR -                 | Denomination - DE -                  | Denumire - RO -                    |
|-------------|-------------------------------------|--|-------------------------------------|--------------------------------------|------------------------------------|
| 1 23514     | VITE TPS IN.5x20 TAGLIO CACCIAVITE  | 5x20 STAINLESS STEEL FLATHEAD SCREW      | VIS TPS INOX 5x20 DE TOURNEVIS      | SCHRAUBE TPS ROSTFREI 5x20           | SURUB DIN INOX TPS M 5x20          |
| 2 23260014  | RONDELLA INOX 12x5 DOCCETTA         | INOX WASHER 12X5                         | RONDELLE INOX 12x5 DOUCHETTE        | STAHL SCHEIBE 12x5 DUSCHE            | SAIBA DIN INOX M 12x5              |
| 3 27100     | DOCCETTA GRUPPO ER 51.9             | GROUP SHOWER PLATE 51.9                  | DOUCHETTE GROUPE ER. 51.9           | DUSCHE VERTEILEREINHEIT 51.9         | SITA PT. GRUPUL DE EROGARE 51.9    |
| 4 12217     | GU GOMMA S.COPPA 72x56x8 NORMALE    | ST.SIZE FILTER SUPPORT GASKET 72x56x8    | JOINT CAOUTCHOU SAUCOUCPE 72x56x8   | FILTERHALTER GUMMIDICHTUNG 72x56x8   | GARN.DIN CAUCIUC PT.GRUP 72x56x8   |
| 4 12215     | GU GOMMA S.COPPA 72x56x8.5 MAGGIOR  | LARGER SIZED FILT.SUPP. RUBBER 72x56x8.5 | JOINT CAOUTCHOU SOUCOUCPE 72x56x8.5 | FILTERHALTER GUMMIDICHTUNG 72x56x8.5 | GARN.DIN CAUCIUC PT.GRUP 72x56x8.5 |
| 5 25250003  | ANELLO AGGANCIATORE VE CROMATO      | CHROMED CLAMPING RING                    | SABOT CHROME                        | CHROM GRUPPENRING                    | INEL CROMAT DE AGATARE             |
| 6 12300034  | GU OR 3137 VITON Di34,6 CORDA 2,62  | 700SRHING SEAL 3137 VITON                | JOINT OR 3137 VITON                 | O-RINGDICHT. 3137 VITON              | GARN.OR 3137 VITON D.34,6          |
| 7 27105000  | DIFF.GRUPPO WEGA x ADATTATORE       | SPRAIER GROUP                            | DIFFUSEUR GROUPE                    | DIFFUSOR VERTEILEREINHEIT            | PROPAGATOR PT. GRUP-WEGA           |
| 8 25368009  | CORPO GRP ER CTS VE                 | DISTRIBUTION GROUP CTS VE                | CORPS GROUPE DEBIT CTS VE           | KORPER DER ABGABEGRUPPE CTS VE       | CORP PT. GRUP ER. CTS VE           |
| 9 23552     | VITE TCEI INOX 5X10                 | STEEL SCREW TCCE 5X10                    | VIS INOX TCCE 5X10                  | STAHLSCHRAUBE TCCE 5x10              | SURUB DIN INOX TCEI M 5x10         |
| 10 12303    | GU OR 119 HNBR TAPPO GRUPPO / VNR   | CAP O RING GASKET 119                    | JOINT OR 119 POUR BOUCHON           | OR DICHTUNG FUR STOPFEN 119          | GARNITURA OR 119 HNBR              |
| 11 25789301 | TAPPO CAMERA PREINFUSIONE GRP ESTR. | CAP GROUP                                | BOUCHON GROUPE                      | STOPFEN ABGABEGRUPPE                 | DOP PT. CAM.DE PREINF. A GRUPULUI  |
| 12 12300026 | GU OR 0134 EPDM 17.86X2.62          | O RING GASKET 0134 EPDM 17.86X2.62       | JOINT OR 0134 EPDM 17.86X2.62       | OR DICHTUNG 0134 EPDM 17.86X2.62     | GARNITURA OR 0134 EPDM 17.86X2.62  |
| 13 12336001 | GU OR 0134 EPDM 25.8x3.53           | O RING GASKET 0134 EPDM 25.8x3.53        | JOINT OR 0134 EPDM 25.8x3.53        | OR DICHTUNG 0134 EPDM 25.8x3.53      | GARNITURA OR 0134 EPDM 25.8x3.53   |
| 14 25739503 | PORTAGIGLEUR GRUPPO CTS 03 VE       | NOZZLE HOLDER GROUP CTS 03               | PORTE-GICLEUR GROUPE CTS 03         | DUSEHALTER GRUPPE CTS 03             | PORTAJIGLER PT. GRUP CTS 03 VE     |
| 15 10300C   | GIGLER OTT. X GRUPPO D 0.6          | BRASS UNIT FOR JET D 0.6                 | GIGLEUR LAITON POUR GROUPE D 0.6    | VERMESSINGTE GRUPPENDÜSE D 0.6       | JIGLER DIN ALAMA PT. GRUP D. 0.6   |
| 16 10253    | FILTRO GIGLER GRUPPO W527           | JET FILTER                               | FILTRE GICLEUR                      | DUSE FILTER                          | FILTRU JIGLER PT. GRUP W527        |
| 17 25789306 | TAPPO PORTA GIGLEUR GRUPPO CTS 03   | CAP GROUP JET                            | BOUCHON GIGLEUR                     | STOPFEN EINSPRITZDUSE                | DOP PORTAJIGLER PT. GRUP CTS 03    |
| 18 12336000 | GU ORM 0170-30 HNBR 70Sh Di17x3 GRP | GCATSSKET ORM 0170-30 HNBR 70Sh          | JOINT ORM 0170-30 HNBR 70Sh         | DICHTUNG ORM 0170-30 HNBR 70Sh       | GARN. ORM 0170-30 HNBR 70Sh Di17x3 |
| 19 25687002 | RACCORDO 3/8X3/8 GAS GRP CTS 03     | CONNECTOR 3/8x3/8 CTS 03 UNIT            | RACCORD 3/8x3/8 GR. CTS 03          | ANSCHLUSS 3/8x3/8 CTS 03             | RACORD 3/8X3/8 PT. GRUP CTS 03     |
| 20 12305    | GU OR 105 GR.ELETT.VITON 70SH       | O RING VITON SEAL 105 GREEN SOLENOI      | JOINT OR 105 GR.ELECT.              | O-RINGDICHT. 105 EKELTR. EINHEIT     | GARN.OR 105 PT.ELECT.GR.VITON 70SH |
| 21 18160002 | ELETTROVAL.GRUPPO SIR 230V 50HZ     | GROUP SOLENOID VALE SIR 230V 50HZ        | ELECTROV.GROUPE SIR 230V 50HZ       | GRUPPENMAGNETVENTIL SIR 230V 50HZ    | ELECTROVAL.PT. GRUP SIR 230V 50HZ  |
| 22 18001002 | BOBINA GRUPPO 230V SIR. 2A 32A      | REEL SIR 230V 2A 32A                     | BOBINE SIR 230V 2A 32A              | ROLLE SIR 230V 2A 32A                | BOBINA PT. GRUP 230V SIR. 2A 32A   |
| 23 52000168 | TBS.D-12 L.92 1-4GR RACCORD SCARICO | TUBE D-12 L.92 1-4GR                     | TUYAU D-12 L.92 1-4 GR              | ROHR D-12 L.92 1-4 GR                | TUB D-12 L.92 1-4 GR               |
| 24 56082112 | GRUPPO CTS VE/CMA NEUTRO            | DISTRIBUT.GROUP CTS VE/CMA NEUTER        | GROUPE DEBIT CTS VE/CMA NEUTRE      | AUSGABEGRUPPR CTS VE/CMA NEUTR.      | GRUP CTS VE/CMA                    |
| 25 23551    | VITE TCEI INOX 4x12 UNI 5931 D      | SCREW TCCE S.STEEL 4x12 UNI 5931 D       | VIS TCCE INOX 4x12 UNI 5931 D       | STAHLSCHRAUBE TCCE 4x12 UNI 5931 D   | SURUB DIN INOX TCEI M4x12 UNI 5931 |





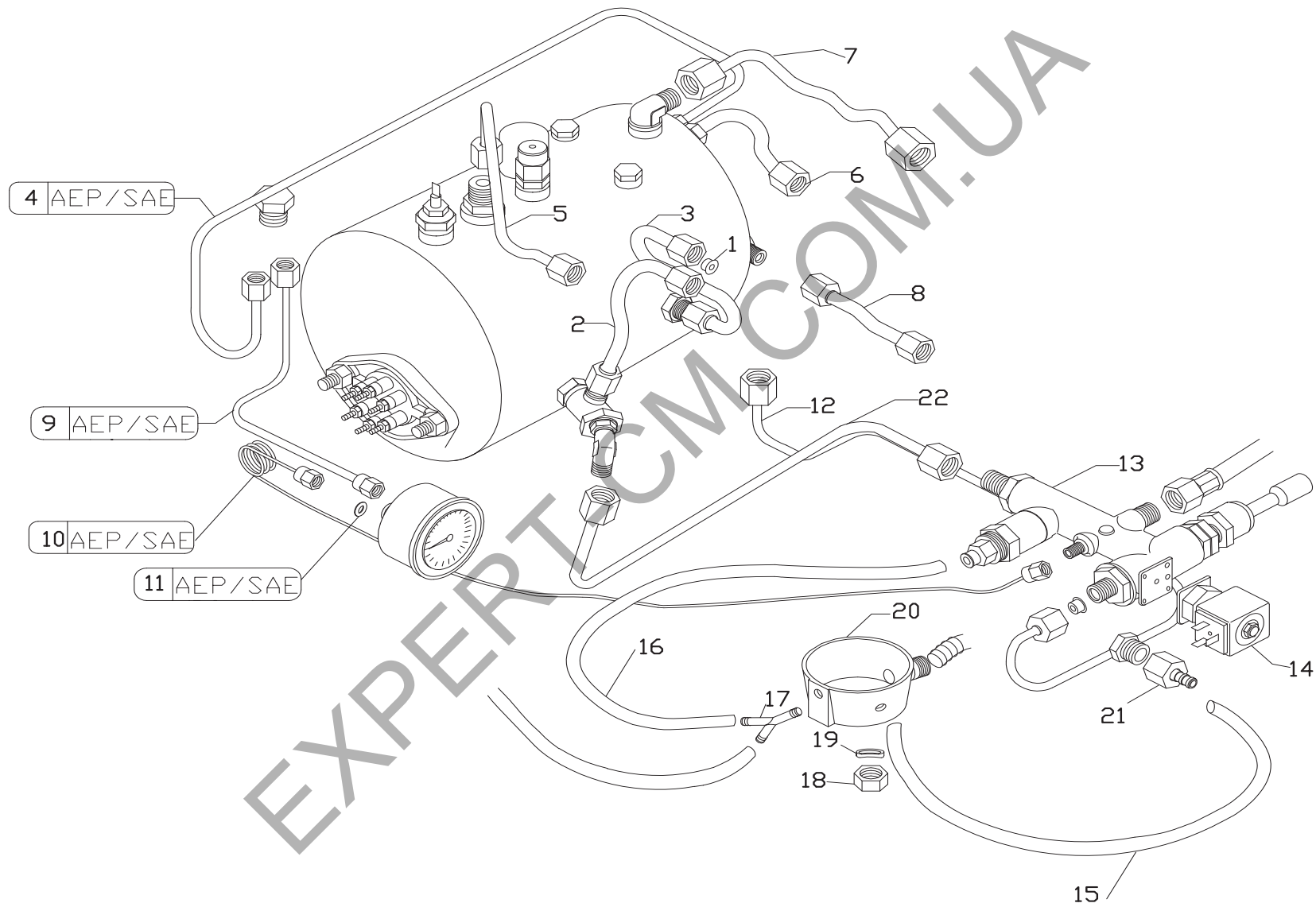
| Pos | Cod.     | Denominazione - IT -                 | Denomination - GB -                 | Denomination - FR -                | Denomination - DE -                 | Denumire - RO -                     |
|-----|----------|--------------------------------------|-------------------------------------|------------------------------------|-------------------------------------|-------------------------------------|
| 1   | 17012    | RES.1GR 6P 230/380V 2700W            | HEAT.ELEM.1GR 230/380V 2700W 6P.    | RESIST.1GR 230/380V 2700W 6P.      | HEIZKORPER 1GR 230/380V 2700W 6P.   | REZIST.1GR 6P 230/380V 2700W        |
| 2   | 23049    | DADO OTTONE M8 UNI 5587              | BRASS NUT M8 UNI 5587               | ECROU LAITON M8 UNI 5587           | MESSING-SCHRAUBENMUTTER M8 UNI 5587 | PIULITA DIN ALAMA MM8UUNNI55887     |
| 3   | 23132001 | PRIG.INOX M8 FONDO CALD.ECON.        | M8 S.STEEL BOTTOM STUD BOLT         | PRISONNIER INOX M8 FOND            | STIFTSCHRAUBE EDELSTAHL M8 BODEN    | SURUB PT. PRINDEREA REZIS. PE CAZA  |
| 4   | 12001    | GU TEFLON VERGI.x RES/SCA 58x43x2    | TEFLON GASKET ELEM./EXCH. 58x43x2   | JOINT TEFLON RESIST/ECHANG.58x43x2 | TEFLON DICHTUNG 58x23x2             | GARNITUTRA DIN TEFLON 58x43x2       |
| 5   | 62020009 | CLD 1GR CTS 6LT ECON.SC.80           | BOILER 1GR CTS 6LT - ECO SC.80      | CHAUDIÈRE 1GR CTS 6LT - ECO SC.80  | KESSEL 1GR CTS 6LT - ECO SC.80      | CAZAN 1GR CTS 6LT ECON. SC.80       |
| 6   | 12101    | GU CU/ALIM 3/8 22x17x3               | 3/8 22x17x3 FEEDER/COPPER SEAL      | JOINT CUIVRE/ALIM 3/8 22x17x3      | KUPFERDICHTUNG/SPEIS. 3/8 22x17x3   | GARNITURA CUPRU 3/8 22x17x3         |
| 7   | 43030001 | RACC.INIETTORE IT.3/8Fx3/8Mx14F      | 3/8Fx3/8Mx14F INJECTOR FITTING      | RACC. INJECTEUR 3/8Fx3/8Mx14F      | ANSCHLUSS EINSPRITZER 3/8Fx3/8Mx14F | RAC.INJECTOR 3/8Fx3/8Mx14F          |
| 8   | 52000410 | TBS.D-6 L.85 AEP-SAE/2 GL11 INIETT.  | TUBE D-6 L.85 GL11                  | TUYAU D-6 L.85 GL11                | ROHR D-6 L.85 GL11                  | TUB D-6 L.85 AEP-SAE/2 GL11         |
| 9   | 25785    | TAPPO MASCHIO 3/8                    | MALE CAP 3/8                        | BOUCHON MALE 3/8                   | STOPFEN 3/8                         | DOP 3/8                             |
| 10  | 12154    | GUARNIZIONE CU 3/8 22X17X1.5         | 3/8 22X17X1.5 COPPER SEAL           | JOINT CUIVRE 3/8 22X17X1.5         | KUPFERDICHTUNG 3/8 22X17X1.5        | GARNITURA DIN CUPRU 3/8 22x17x1.5   |
| 11  | 12153    | GU CU 1/4 17x13.3x1.5                | 1/4 17x13.3x1.5 COPPER SEAL         | JOINT CUIVRE 1/4 17x13.3x1.5       | KUPFERDICHTUNG 1/4 17x13.3x1.5      | GARN. DIN CUPRU 1/4 17x13.3x1.5     |
| 12  | 56150    | VALVOLA ANTIRISUCCHIO V.A.R.         | ANTI-EDDY VALVE V.A.R.              | SOUPAPE ANTI-DEPRESSION V.A.R.     | VENTIL UNTERDRUCKFREI V.A.R.        | VALVA ANTIRETUR V.A.R.              |
| 13  | 52001612 | TUBO D-10 L.115 1>4GR                | TUBE D-10 L.115 1>4GR               | TUYAU D-10 L.115 1>4GR             | ROHR D-10 L.115 1>4GR               | TUB D-10 L.115 1-4 GR. DE 13.       |
| 14  | 20251    | SONDA LIV.TL 10/B L125 908600        | TL 10/B L125 908600 LEVEL PROBE     | JAUGE TL 10/B L125 908600          | PEGELFÜHLER TL 10/B L125 908600     | SONDA DE NIV.TL 10/B L125 908600    |
| 15  | 15006001 | FLANGIA GREENAMID 66 G50 H VALV.SIC. | FLANGE GREENAMID VALVE              | JOINT GREENAMID VANNE              | FLANSCH GREENAMID VENTIL            | FLANSA GREENAMID PT.VALVA DE SIGUR. |
| 16  | 12300000 | GU OR 3156 VITON x VALV.SIC.         | O RING VITON                        | JOINT OR VITON                     | OR DICHTUNG VITON                   | GARN. OR.3156 VITON PT.VALV.DE SIG  |
| 17  | 20352    | VALV.SICUREZZA *CE* + SIG.CMA        | *CE* SAFETY VALVE                   | SOUPAPE DE SECURITE *CE*           | SICHERHEITSVENTIL *CE*              | VALVA DE SIGURANTA *CE*             |
| 18  | 56009980 | ASS.PROT.VALVOLE SICUREZZA           | UNIT PROTECTION VALVE               | ENSEMBLE PROTECTION VANNE          | SATZ-SCHUTZGITTER VENTIL            | ANS.DE PROT. PT. VALVA DE SIGURAN.  |
| 19  | 25749001 | RIDUZIONE 3/8M GAS-1/8F GAS NI       | REDUCER 3/8M GAS -1/8F GAS NI       | REDUCTEUR 3/8M GAS-1/8F GAS NI     | REDUZIERER 3/8M GAS-1/8F GAS NI     | RED. 3/8GAS-1/8F GAS NI             |
| 20  | 12151    | GU CU DOSATORE SAE 13x10.2x1.5       | CU GASKET FOR SAE DOSER 13x10.2x1.5 | JOINT CU DE DOSEUR SAE 13x10.2x1.5 | CU DICHTUNG FÜR SAE DOSIERANLAGE    | GARNITURA DIN CUPRU 13x10.2x1.5     |
| 21  | 20306    | TERMOSTATO SONDA NTC ES 13           | THERMOSTAT NTC ES 13                | THERMOSTAT NTC ES 13               | TERMOSTAT NTC ES 13                 | TERMOSTAT NTC ES 13                 |
| 22  | 43052    | RACORD "L" 3/8                       | CONNECTOR "L" 3/8                   | RACCORD "L" 3/8                    | ANSCHLUSS "L" 3/8                   | RACORD "L" 3/8                      |
| 23  | 43070    | RACC."L" 3/8F GAS CON. x 3/8M GAS    | CONNECTOR L 3/8 GAS x 3/8 GAS       | RACCORD L 3/8 GAZ x 3/8 GAZ        | FITTING L 3/8 GAS x 3/8 GAS         | RACORD "L" 3/8F GAS CU 3/8M GAS     |



| Pos Cod. | Denominazione - IT -                          | Denomination - GB -                 | Denomination - FR -                 | Denomination - DE -                 | Denumire - RO -                     |
|----------|---|-------------------------------------|-------------------------------------|-------------------------------------|-------------------------------------|
| 1        | 17059 RESIST. 2G 6P 230/380V 3400W            | HEATING EL.2GR 220/380V-3400W 6P    | RESISTANCE 2GR 220/380V-3400W 6P    | HEIZKORPER 2GR 220/380V-3400W 6P    | REZIST.2GR 6P 230/380V 3400W        |
| 2        | 23049 DADO OTTONE M8 UNI 5587                 | BRASS NUT M8 UNI 5587               | ECROU LAITON M8 UNI 5587            | MESSING-SCHRAUBENMUTTER M8 UNI 5587 | PIULITA DIN ALAMA M8 UNI 5587       |
| 3        | 23132001 PRIG.INOX M8 FONDO CALD.ECONO.       | M8 STAINLESS STEEL BOTTOM STUD BOLT | PRISONNIER INOX M8 FOND             | STIFTSCHRAUBE EDELSTAHL M8 BODEN    | SURUB PT. PRINDEREA REZIS. PE CAZAN |
| 4        | 12001 GU TEFLON VERG. x RES/SCA 58x43x2       | TEFLON GASKET ELEMENT/EXCH. 58x43x2 | JOINT TEFLON RESIST/ECHANG. 58x43x2 | TEFLON DICHTUNG 58x23x2             | GARNITURA DIN TEFLON 58x43x2        |
| 5        | 62143009 CALDAIA 2GR CTS ECONOMICA SC.80      | BOILER 2GR CTS- ECO - SC.80         | CHAUDIERE 2GR CTS - ECO SC.80       | KESSEL 2GR CTS -ECO SC.80           | CAZAN 2GR CTS ECON. SC.80           |
| 6        | 12151 GU CU DOSATORE SAE 13x10.2x1.5          | CU GASKET FOR SAE DOSER 13x10.2x1.5 | JOINT CU DE DOSEUR SAE 13x10.2x1.5  | CU DICHTUNG FÜR SAE DOSIERANLAGE    | GARNITURA DIN CUPRU 13x10.2x1.5     |
| 7        | 12101 GU CU/ALIM 3/8 22x17x3                  | 3/8 22x17x3 FEEDER/COPPER SEAL      | JOINT CUIVRE/ALIM 3/8 22x17x3       | KUPFERDICHTUNG/SPEIS. 3/8 22x17x3   | GARN. DIN CUPRU 3/8 22x17x3         |
| 8        | 43030001 RACC.INIETTORE 3/8Fx3/8Mx14F         | 3/8Fx3/8Mx14F INJECTOR FITTING      | RACC. INJECTEUR 3/8Fx3/8Mx14F       | ANSCHLUSS EINSPRITZER 3/8Fx3/8Mx14  | FRAC.INJECTOR 3/8Fx3/8Mx14F         |
| 9        | 52000410 TBS.D-6 L.85 AEP-SAE/2 GL11 INIETT.  | TUBE D-6 L.85 GL11                  | TUYAU D-6 L.85 GL11                 | ROHR D-6 L.85 GL11                  | TUB D-6 L.85 AEP-SAE/2 GL11         |
| 10       | 12153 GU CU 1/4 17x13.3x1.5                   | 1/4 17x13.3x1.5 COPPER SEAL         | JOINT CUIVRE 1/4 17x13.3x1.5        | KUPFERDICHTUNG 1/4 17x13.3x1.5      | GARN. DIN CUPRU 1/4 17x13.3x1.5     |
| 11       | 43052 RACORD "L" 3/8                          | CONNECTOR "L" 3/8                   | RACCORD "L" 3/8                     | ANSCHLUSS "L" 3/8                   | RACORD "L" 3/8                      |
| 12       | 56150 VALVOLA ANTIRISUCCHIO V.A.R.            | ANTI-EDDY VALVE V.A.R.              | SOUPAPE ANTI-DEPRESSION V.A.R.      | VENTIL UNTERDRUCKFREI V.A.R.        | VALVA ANTIRETUR V.A.R.              |
| 13       | 20251 SONDA LIV. TL 10/B L125 908600          | TL 10/B L125 908600 LEVEL PROBE     | JAUGE TL 10/B L125 908600           | PEGELFÜHLER TL 10/B L125 908600     | SONDA DE NIVEL TL 10/B L125 908600  |
| 14       | 12154 GU CU 3/8 22x17x1.5                     | 3/8 22x17x1.5 COPPER SEAL           | JOINT CUIVRE 3/8 22x17x1.5          | KUPFERDICHTUNG 3/8 22x17x1.5        | GARNITURA DIN CUPRU 3/8 22x17x1.5   |
| 15       | 52001612 TBS.D-10 L.115 1>4GR DE 13 PES       | TUBE D-10 L.115 1 4GR DE 13         | TUYAU D-10 L.115 1 4GR DE 13        | ROHR D-10 L.115 1 4GR DE 13         | TUB D-10 L.115 1>4GR DE 13          |
| 16       | 25780 TAPPO MASCHIO OTTONE 1/4                | BRASS MALE CAP 1/4                  | BOUCHON MALE LAITON 1/4             | MESSING-STOPFEN 1/4                 | DOP DIN ALAMA PT. MASC. 1/4         |
| 17       | 15006001 FLANGIA GREENAMID 66 G50 H VALV.SIC. | FLANGE GREENAMID VALVE              | JOINT GREENAMID VANNE               | FLANSCH GREENAMID VENTIL            | FLANSA GREENAMID PT.VALVA DE SIGUR. |
| 18       | 12300000 GU OR 3156 VITON x VALV.SIC.         | O RING VITON                        | JOINT OR VITON                      | OR DICHTUNG VITON                   | GARN.OR.3156 PT.VALVA DE SIGUR.     |
| 19       | 20352 VALVOLA SICUREZZA *CE* + SIG.CMA        | *CE* SAFETY VALVE                   | SOUPAPE DE SECURITE *CE*            | SICHERHEITSENTIL *CE*               | VALVA DE SIGURANTA *CE*             |
| 20       | 56009980 ASS.PROT.VALVOLE SICUREZZA           | UNIT PROTECTION VALVE               | ENSEMBLE PROTECTION VANNE           | SATZ-SCHUTZGITTER VENTIL            | ANS. DE PROT. PT. VALVA DE SIG.     |
| 21       | 20306 TERMOSTATO SONDA NTC ES 13              | THERMOSTAT NTC ES 13                | THERMOSTAT NTC ES 13                | TERMOSTAT NTC ES 13                 | TERMOSTAT NTC ES 13                 |
| 22       | 25749003 RIDUZIONE 1/4M GAS-1/8F GAS NI       | REDUCER 1/4M GAS -1/8F GAS NI       | RÉDUCTEUR 1/4M GAS-1/8F GAS NI      | REDUZIERER 1/4M GAS-1/8F GAS NI     | RED. 1/4GAS-1/8F GAS NI             |
| 23       | 43070 RACC."L" 3/8F GAS CON. x 3/8M GAS       | CONNECTOR L 3/8 GAS x 3/8 GAS       | RACCORD L 3/8 GAZ x 3/8 GAZ         | FITTING L 3/8 GAS x 3/8 GAS         | RACORD "L" 3/8F GAS CU 3/8M GAS     |

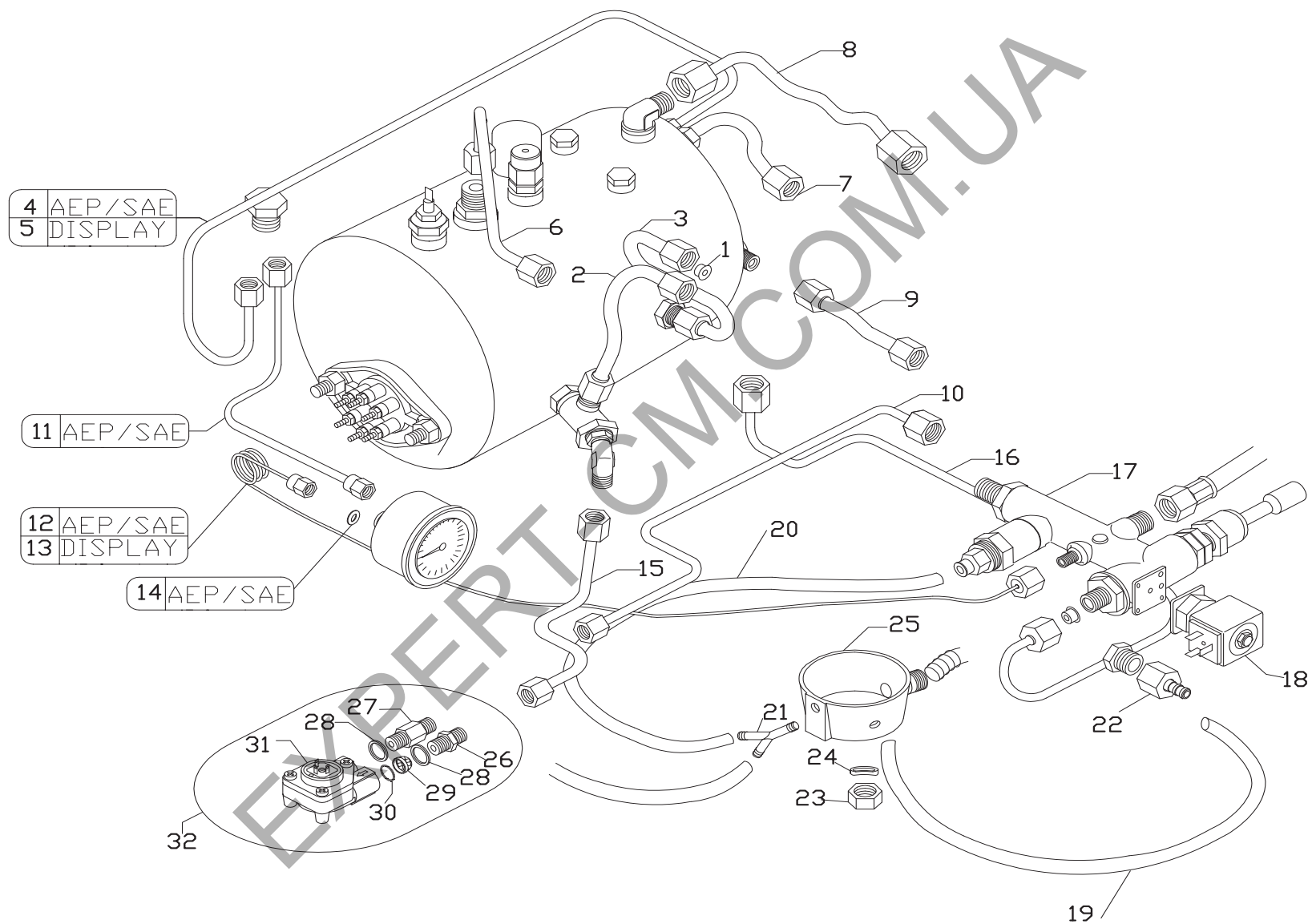


| Pos | Cod.     | Denominazione - IT -                 | Denomination - GB -                  | Denomination - FR -                | Denomination - DE -                 | Denumire - RO -                  |
|-----|----------|--------------------------------------|--------------------------------------|------------------------------------|-------------------------------------|----------------------------------|
| 1   | 17107    | RES.3GR 6P 230/380V 5000W            | HEATING EL.3GR 220/240V 5000/5440 6P | RESISTANCE 3GR 220/240V 5000/5440W | HEIZKORPER 3GR 220/240V 5000/5440W  | REZIST 3GR 6P 230/380V 5000W     |
| 2   | 23049    | DADO OTTONE M8 UNI 5587              | BRASS NUT M8 UNI 5587                | ECROU LAITON M8 UNI 5587           | MESSING-SCHRAUBENMUTTER M8 UNI 5587 | PIULITA DIN ALAMA M8 UNI 5587    |
| 3   | 23132001 | PRIG.INOX M8 FONDO CALD.ECONO.       | M8 STAINLESS STEEL BOTTOM STUD BOLT  | PRISONNIER INOX M8 FOND            | STIFTSCHRAUBE EDELSTAHL M8 BODEN    | SURUB PT.PRINDEREA REZIS.PE CAZ  |
| 4   | 12001    | GU PTFE VERG.x RES/SCA 58x43x2       | TEFLON GASKET ELEMENT/EXCH. 58x43x2  | JOINT TEFLON RESIST/ECHANG.58x43x2 | TEFLON DICHTUNG 58x23x2             | GARNITUTRA DIN TEFLON 58x43x2    |
| 5   | 62250009 | CALDAIA 3GR CTS ECONO.SC.80          | BOILER 3GR CTS- ECO - SC.80          | CHAUDIERE 3GR CTS - ECO SC.80      | KESSEL 3GR CTS -ECO SC.80           | CAZAN 3GR CTS ECON. SC.80        |
| 6   | 12151    | GU CU DOSATORE SAE 13x10.2x1.5       | CU GASKET FOR SAE DOSER 13x10.2x1.5  | JOINT CU DE DOSEUR SAE 13x10.2x1.5 | CU DICHTUNG FÜR SAE DOSIERANLAGE    | GARNITURA DIN CUPRU 13x10.2x1.5  |
| 7   | 12101    | GU CU/ALIM 3/8 22x17x3               | 3/8 22x17x3 FEEDER/COPPER SEAL       | JOINT CUIVRE/ALIM 3/8 22x17x3      | KUPFERDICHTUNG/SPEIS. 3/8 22x17x3   | GARN. DIN CUPRU 3/8 22x17x3      |
| 8   | 43030001 | RACC.INIETTORE 3/8Fx3/8Mx14F         | 3/8Fx3/8Mx14F INJECTOR FITTING       | RACC. INJECTEUR 3/8Fx3/8Mx14F      | ANSCHLUSS EINSPRITZER 3/8Fx3/8Mx14F | RAC.INJECTOR 3/8Fx3/8Mx14F       |
| 9   | 52000410 | TBS.D-6 L.85 AEP-SAE/2 GL11 INIETT.  | TUBE D-6 L.85 GL11                   | TUYAU D-6 L.85 GL11                | ROHR D-6 L.85 GL11                  | TUB D-6 L.85 AEP-SAE/2 GL11      |
| 10  | 12153    | GU CU 1/4 17x13.3x1.5                | 1/4 17x13.3x1.5 COPPER SEAL          | JOINT CUIVRE 1/4 17x13.3x1.5       | KUPFERDICHTUNG 1/4 17x13.3x1.5      | GARN. DIN CUPRU 1/4 17x13.3x1.5  |
| 11  | 43052    | RACORD "L" 3/8                       | CONNECTOR "L" 3/8                    | RACCORD "L" 3/8                    | ANSCHLUSS "L" 3/8                   | RACORD "L" 3/8                   |
| 12  | 56150    | VALVOLA ANTIRISUCCHIO V.A.R.         | ANTI-EDDY VALVE V.A.R.               | SOUPAPE ANTI-DEPRESSION V.A.R.     | VENTIL UNTERDRUCKFREI V.A.R.        | VALVA ANTIRETUR V.A.R.           |
| 13  | 20251    | SONDA LIVELLO TL 10/B L125 908600    | TL 10/B L125 908600 LEVEL PROBE      | JAUGE TL 10/B L125 908600          | PEGELFÜHLER TL 10/B L125 908600     | SONDA DE NIV.TL 10/B L125 908600 |
| 14  | 12154    | GU CU 3/8 22x17x1.5                  | 3/8 22x17x1.5 COPPER SEAL            | JOINT CUIVRE 3/8 22x17x1.5         | KUPFERDICHTUNG 3/8 22x17x1.5        | GARN. DIN CUPRU 3/8 22x17x1.5    |
| 15  | 52001612 | TBS.D-10 L.115 1>4GR DE 13 PES       | TUBE D-10 L.115 1 4GR DE 13          | TUYAU D-10 L.115 1 4GR DE 13       | ROHR D-10 L.115 1 4GR DE 13         | TUB D-10 L.115 1>4GR DE 13       |
| 16  | 25780    | TAPPO MASCHIO OTTONE 1/4             | BRASS MALE CAP 1/4                   | BOUCHON MALE LAITON 1/4            | MESSING-STOPFEN 1/4                 | DOP DIN ALAMA PT. MASC. 1/4      |
| 17  | 15006001 | FLANGIA GREENAMID 66 G50 H VALV.SIC. | FLANGE GREENAMID VALVE               | JOINT GREENAMID VANNE              | FLANSCH GREENAMID VENTIL            | FLANSA GREENAMID PT.VALVA DE SIG |
| 18  | 12300000 | GU OR 3156 VITON x VALV.SIC.         | O RING VITON                         | JOINT OR VITON                     | OR DICHTUNG VITON                   | GARN.OR.3156 PT.VALVA DE SIG.    |
| 19  | 20352    | VALVOLA SICUREZZA *CE* + SIG.CMA     | *CE* SAFETY VALVE                    | SOUPAPE DE SECURITE *CE*           | SICHERHEITSVENTIL *CE*              | VALVA DE SIGURANTA *CE*          |
| 20  | 56009980 | ASS.PROT.VALVOLE SICUREZZA           | UNIT PROTECTION VALVE                | ENSEMBLE PROTECTION VANNE          | SATZ-SCHUTZGITTER VENTIL            | ANS. DE PROT.PT.VALVA DE SIG.    |
| 21  | 20306    | TERMOSTATO SONDA NTC ES 13           | THERMOSTAT NTC ES 13                 | THERMOSTAT NTC ES 13               | TERMOSTAT NTC ES 13                 | TERMOSTAT NTC ES 13              |
| 22  | 25749003 | RIDUZIONE 1/4M GAS-1/8F GAS NI       | REDUCER 1/4M GAS -1/8F GAS NI        | REDUCTEUR 1/4M GAS-1/8F GAS NI     | REDUZIERER 1/4M GAS-1/8F GAS NI     | RED. 1/4GAS-1/8F GAS NI          |
| 23  | 43070    | RACC."L" 3/8F GAS CON. x 3/8M GAS    | CONNECTOR L 3/8 GAS x 3/8 GAS        | RACCORD L 3/8 GAZ x 3/8 GAZ        | FITTING L 3/8 GAS x 3/8 GAS         | RAC."L"3/8F GAS CU 3/8M GAS      |



| Pos | Cod.     | Denominazione - IT -                      | Denomination - GB -                  | Denomination - FR -               | Denomination - DE -               | Denumire - RO -                            |
|-----|----------|---|--------------------------------------|-----------------------------------|-----------------------------------|--|
| 1   | 23294003 | STROZZATURA RICIRCOLO GR CTS D 4          | CTS UNIT D 4 RECIRC. NECK            | ETRANGLEMENT RECYCLAGE GR.D.4     | ENGSTELLE UMWLZUNG D. 4           | JIGLER PT.CIRCULATIE APA GR CTS D.         |
| 2   | 52003422 | TBS.D-10 L.160 TC 1GR W283 GRUPPO>CLD     | TUBE D-10 L.160 TC 1GR W283          | TUYAU D-10 L.160 TC1GR W283       | ROHR D-10 L.160 TC 1GR W283       | TUB D-10 L.160 TC 1GR W283                 |
| 3   | 52003480 | TBS.D-10 L.180 TC 1GR W400 GR>SC          | TUBE D-10 L.180 TOUCH 1GR W400 GR>SC | TUYAU D-10 L.180 TOUCH 1GR W400   | ROHR D-10 L.180 TOUCH 1GR W400    | TUB D-10 L.180 TOUCH 1GR W400 GR>SC        |
| 4   | 52005009 | TBS.D-6 L.500 1GR FM10 CLD>PRESSOSTATO    | TUBE D-6 L.500 1GR FM10 MCE 011      | TUYAU D-6 L.500 1GR FM10 MCE 011  | ROHR D-6 L.500 1GR FM10 MCE 011   | TUB D-6 L.500 1GR FM10 MCE 011 CAZ>PRES    |
| 5   | 52005007 | TBS.D-8 L.290 AEP 1GR FM8 CLD > EV H2O    | TUBE D-8 L.290 AEP 1GR FM8           | TUYAU D-8 L.290 AEP 1GR FM8       | ROHR D-8 L.290 AEP 1GR FM8        | TUB D-8 L.290 AEP 1GR FM8 CAZ > EV H2O     |
| 6   | 52005012 | TBS.D-10 L.140 FM13 CLD > LIV.SUP         | TUBE D-10 L.140 FM13                 | TUYAU D-10 L.140 FM13             | ROHR D-10 L.140 FM13              | TUB D-10 L.140 FM13 CAZ>NIV.SUP            |
| 7   | 52005002 | TBS.D-10 L.310 FM3 CLD>VAP.SX             | TUBE D-10 L.310 FM3                  | TUYAU D-10 L.310 FM3              | ROHR D-10 L.310 FM3               | TUB D-10 L.310 FM3 CAZ>VAP.SX              |
| 8   | 52003424 | TBS.D-10 L.103 TC 1GR W285 LIV.INF>CLD    | TUBE D-10 L.103 TC 1GR W285          | TUYAU D-10 L.103 TC 1GR W285      | ROHR D-10 L.103 TC 1GR W285       | TUB D-10 L.103 TC 1GR W285 NIV.INF>CAZ     |
| 9   | 52001437 | TBS.D-4 L.435 1GR CTS AR 60 CA            | TUBE D-4 L.435 1GR CTS AR 60 CA      | TUYAU D-4 L.435 1GR CTS AR 60 CA  | ROHR D-4 L.435 1GR CTS AR 60 CA   | TUB D-4 L.435 1GR CTS AR 60 CA             |
| 10  | 52003056 | TBS.D-2 L.500 1/8-1/8 GL214 CA.MANOM.     | TUBE D-2 L.500 1/8-1/8 GL214         | TUYAU D-2 L.500 1/8-1/8 GL214     | ROHR D-2 L.500 1/8-1/8 GL214      | TUB D-2 L.500 1/8-1/8 GL214                |
| 11  | 12155001 | GUARNIZIONE CU 8.5x3.3x1                  | COPPER GASKET 8.5X3.3X1              | JOINT CU 8.5X3.3X1                | KUPFERDICHTUNG 8.5x3.3x1          | GARNITURA DIN CUPRU 8.5X3.3X1              |
| 12  | 52004328 | TBS.D-8 L600 1GR W351 W.ECO-10 DISTR> CLD | TUBE D-8 L600 1GR W351               | TUYAU D-8 L600 1GR W351           | ROHR D-8 L600 1GR W351            | TUB D-8 L600 1GR W351 DISTR>CAZ            |
| 13  | 61016001 | DISTRIBUTORE MULT.CARICO H2O C/W.ECO-10   | WATER DISTRIBUTION BLOCK             | DISTRIBUTEUR EAU                  | WASSER VERTEILER                  | DISTR.MULTIFUNC. H2O C/W.ECO-10            |
| 14  | 18159002 | EL.AEA 220/240V 50-60Hz 125CR             | SOL.VALVE 220/240V 50-60Hz           | ELECTROVANNE 220/240V 50-60Hz     | ELEKTROVENTIL 220/240V 50-60Hz    | EL.AEA 220/240V 50-60Hz 125CR              |
| 15  | 15452113 | TUBO SILICONE PLAT.D-6x9 L.195            | SILICONE TUBE D-6x9 L.195            | TUYAU SILICONE D-6x9 L.195        | SILIKONROHR D-6x9 L.195           | FURTUN DE SILICON D-6x9 L.195              |
| 16  | 15452098 | TUBO SILICONE PLATINICO 6x9 L.270         | SILICONE TUBE D-6x9 L.270            | TUYAU SILICONE D-6x9 L.270        | SILIKONROHR D-6x9 L.270           | FURTUN DIN SILICON D-6x9 L.270             |
| 17  | 15422010 | RACC. "Y" POLIPROPILENE D-10              | Y POLIPROPILENE FITTING D-10         | RACCORD "Y" POLIPROPILENE D-10    | ANSCHLUSS "Y" POLIPROPILENE D-10  | RACORD IN FORMA DE "Y" DIN POLIPROPILENA D |
| 18  | 23052    | DADO OTTONE M10 UNI 5587                  | TOP BRASS NUT M10 UNI 5587           | ECROU LAITON SUP.M10 UNI 5587     | UNTER/MESSING MUTTER M10 UNI 5587 | PIULITA DIN ALAMA M10 UNI 5587             |
| 19  | 23267    | RONDELLA ELAST.ONDUL.D10 DIN137           | ELASTIC WASHER D10 DIN137            | RONDELLE ELASTIQUE D10 DIN137     | ELASTISCHE SCHEIBE D10 DIN137     | SAIBA ELASTICA OND.D10 DIN137              |
| 20  | 15502    | VASCHETTA SCARICO ROTONDA D 80mm          | ROUND DRAIN BASIN D.80mm             | CUVE A VIDANGER RONDE D.80mm      | RUNDE ABFLUSSCHALE D.80mm         | VAS DE SCURGERE ROTUND D.80mm              |
| 21  | 257396   | RACC.SCARICO CALDAIA ASSIEMATO            | CONNECTOR DRAIN BOILER               | RACCORD DRAINER CHAUDIERE         | ANSCHLUSS ABPROPFEN KESSEL        | RACORD SCURGERE CAZAN ASAMBLAT             |
| 22  | 52004356 | TBS.D-6 L.300 AEP/1 AR164 TANYA           | TUBE D-6 L.300 AEP/1 AR164 TANYA     | TUYAU D-6 L.300 AEP/1 AR164 TANYA | ROHR D-6 L.300 AEP/1 AR164 TANYA  | TUB D-6 L.300 AEP/1 AR164 TANYA            |

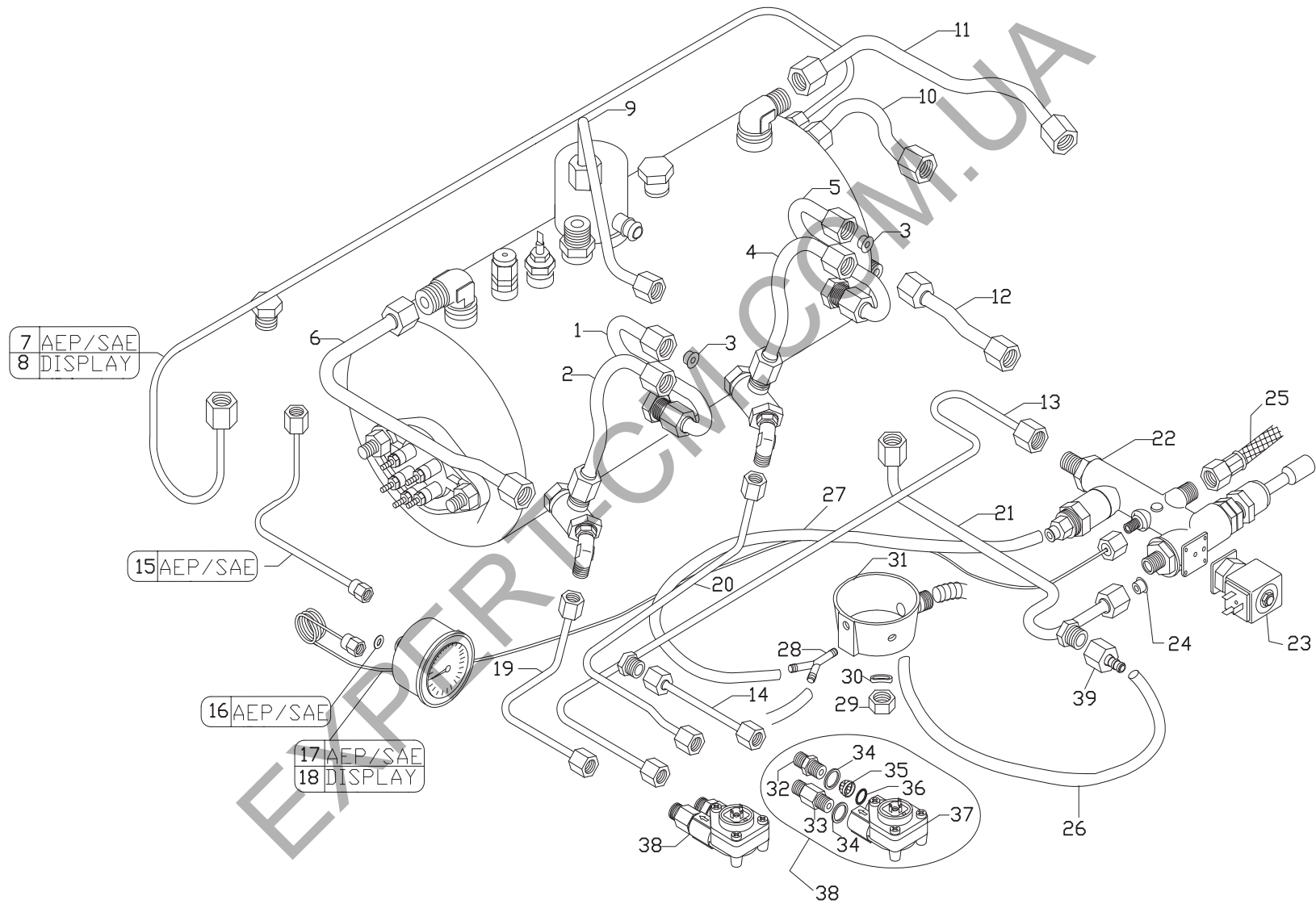




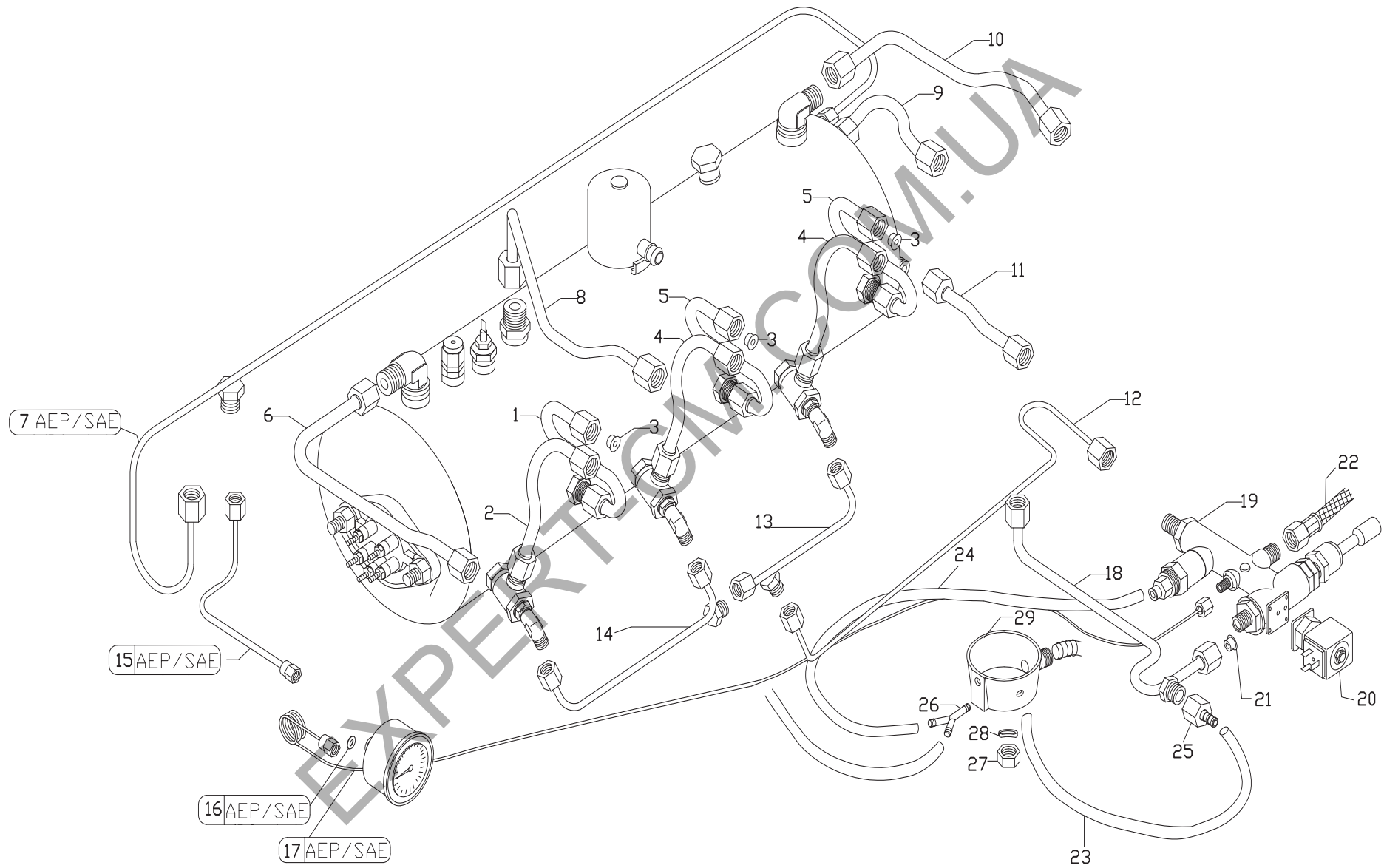
| Pos | Cod.     | Denominazione - IT -                       | Denomination - GB -                 | Denomination - FR -              | Denomination - DE -               | Denumire - RO -                            |
|-----|----------|--|-------------------------------------|----------------------------------|-----------------------------------|--|
| 1   | 23294003 | STROZZATURA RICIRCOLO GR CTS D 4           | CTS UNIT D 4 RECIRC. NECK           | ETRANGLEMENT RECYCLAGE GR.D.4    | ENGSTELLE UMWLZUNG D. 4           | JIGLER PT.CIRCULATIE APA GR CTS D.         |
| 2   | 52003422 | TBS.D-10 L.160 TC 1GR W283 GRUPPO>CLD      | TUBE D-10 L.160 TC 1GR W283         | TUYAU D-10 L.160 TC1GR W283      | ROHR D-10 L.160 TC 1GR W283       | TUB D-10 L.160 TC 1GR W283                 |
| 3   | 52003480 | TBS.D-10 L.180 TC 1GR W400 GR>SC           | TUBE D-10 L180 TOUCH 1GR W400 GR>SC | TUYAU D-10 L180 TOUCH 1GR W400   | ROHR D-10 L180 TOUCH 1GR W400     | TUB D-10 L180 TOUCH 1GR W400 GR>SC         |
| 4   | 52005009 | TBS.D-6 L.500 1GR FM10 CLD>PRESSOSTATO     | TUBE D-6 L.500 1GR FM10 MCE 011     | TUYAU D-6 L.500 1GR FM10 MCE 011 | ROHR D-6 L.500 1GR FM10 MCE 011   | TUB D-6 L.500 1GR FM10 MCE 011 CAZ>PRES    |
| 5   | 52005008 | TBS.D-6 L.500 1GR+DSP FM9 CLD > PRESSOSTAT | TUBE D-6 L.500 1GR+DSP FM9          | TUYAU D-6 L.500 1GR+DSP FM9      | ROHR D-6 L.500 1GR+DSP FM9        | TUB D-6 L.500 1GR+DSP FM9                  |
| 6   | 52005018 | TBS.D-8 L.220 1GR FM19 CLD> EV H2O         | TUBE D-8 L.220 1GR FM19             | TUYAU D-8 L.220 1GR FM19         | ROHR D-8 L.220 1GR FM19           | TUB D-8 L.220 1GR FM19                     |
| 7   | 52005012 | TBS.D-10 L.140 FM13 CLD > LIV.SUP          | TUBE D-10 L.140 FM13                | TUYAU D-10 L.140 FM13            | ROHR D-10 L.140 FM13              | TUB D-10 L.140 FM13 CAZ>NIV.SUP            |
| 8   | 52005002 | TBS.D-10 L.310 FM3 CLD>VAP.SX              | TUBE D-10 L.310 FM3                 | TUYAU D-10 L.310 FM3             | ROHR D-10 L.310 FM3               | TUB D-10 L.310 FM3 CAZ>VAP.SX              |
| 9   | 52003424 | TBS.D-10 L.103 TC 1GR W285 LIV.INF>CLD     | TUBE D-10 L.103 TC 1GR W285         | TUYAU D-10 L.103 TC 1GR W285     | ROHR D-10 L.103 TC 1GR W285       | TUB D-10 L.103 TC 1GR W285 NIV.INF>CAZ     |
| 10  | 52005010 | TBS.D-6 L.380 1GR FM11 DISTR>DOSATORE      | TUBE D-6 L.380 1GR FM11             | TUYAU D-6 L.380 1GR FM11         | ROHR D-6 L.380 1GR FM11           | TUB D-6 L.380 1GR FM11 DISTR>DOZATOR       |
| 11  | 52001437 | TBS.D-4 L.435 1GR CTS AR 60 CA             | TUBE D-4 L.435 1GR CTS AR 60 CA     | TUYAU D-4 L.435 1GR CTS AR 60 CA | ROHR D-4 L.435 1GR CTS AR 60 CA   | TUB D-4 L.435 1GR CTS AR 60 CA             |
| 12  | 52003055 | TBS.D-2 L.500 1/4-1/8 GL213 CA.MANOM       | TUBE D-2 L.500 1/4-1/8 GL213        | TUYAU D-2 L.500 1/4-1/8 GL213    | ROHR D-2 L.500 1/4-1/8 GL213      | TUB D-2 L.500 1/4-1/8 GL213                |
| 13  | 52003056 | TBS.D-2 L.500 1/8-1/8 GL214 CA.MANOM.      | TUBE D-2 L.500 1/8-1/8 GL214        | TUYAU D-2 L.500 1/8-1/8 GL214    | ROHR D-2 L.500 1/8-1/8 GL214      | TUB D-2 L.500 1/8-1/8 GL214                |
| 14  | 12155001 | GUARNIZIONE CU 8.5x3.3x1                   | COPPER GASKET 8.5X3.3X1             | JOINT CU 8.5X3.3X1               | KUPFERDICHTUNG 8.5x3.3x1          | GARNITURA DIN CUPRU 8.5X3.3X1              |
| 15  | 52003451 | TBS.D-6 L.220 TC 1GR CLD>DOSATORE          | TUBE D-6 L.220 TC 1GR               | TUYAU D-6 L.220 TC 1GR           | ROHR D-6 L.220 TC 1GR             | TUB D-6 L.220 TC 1GR CAZ>DOZATOR           |
| 16  | 52004328 | TBS.D-8 L600 1GR W351 W.ECO-10 DISTR> CLD  | TUBE D-8 L600 1GR W351              | TUYAU D-8 L600 1GR W351          | ROHR D-8 L600 1GR W351            | TUB D-8 L600 1GR W351 DISTR>CAZ            |
| 17  | 61016001 | DISTRIBUTORE MULT.CARICO H2O C/W.ECO-10    | WATER DISTRIBUTION BLOCK            | DISTRIBUTEUR EAU                 | WASSER VERTEILER                  | DISTR.MULTIFUNC. H2O C/W.ECO-10            |
| 18  | 18159002 | EL.AEA 220/240V 50-60Hz 125CR              | SOL.VALVE 220/240V 50-60Hz          | ELECTROVANNE 220/240V 50-60Hz    | ELEKTROVENTIL 220/240V 50-60Hz    | EL.AEA 220/240V 50-60Hz 125CR              |
| 19  | 15452113 | TUBO SILICONE PLAT.D-6x9 L.195             | SILICONE TUBE D-6x9 L.195           | TUYAU SILICONE D-6x9 L.195       | SILIKONROHR D-6x9 L.195           | FURTUN DE SILICON D-6x9 L.195              |
| 20  | 15452098 | TUBO SILICONE PLATINICO 6x9 L.270          | SILICONE TUBE D-6x9 L.270           | TUYAU SILICONE D-6x9 L.270       | SILIKONROHR D-6x9 L.270           | FURTUN DIN SILICON D-6x9 L.270             |
| 21  | 15422010 | RACC. "Y" POLIPROPILENE D-10               | Y POLIPROPILENE FITTING D-10        | RACCORD "Y" POLIPROPILENE D-10   | ANSCHLUSS "Y" POLIPROPILENE D-10  | RACORD IN FORMA DE "Y" DIN POLIPROPILENA D |
| 22  | 257396   | RACC.SCARICO CALDAIA ASSIEMATO             | CONNECTOR DRAIN BOILER              | RACCORD DRAINER CHAUDIERE        | ANSCHLUSS ABPROPFEN KESSEL        | RACORD SCURGERE CAZAN ASAMBLAT             |
| 23  | 23052    | DADO OTTONE M10 UNI 5587                   | TOP BRASS NUT M10 UNI 5587          | ECROU LAITON SUP.M10 UNI 5587    | UNTER/MESSING MUTTER M10 UNI 5587 | PIULITA DIN ALAMA M10 UNI 5587             |
| 24  | 23267    | RONDELLA ELAST.ONDUL.D10 DIN137            | ELASTIC WASHER D10 DIN137           | RONDELLE ELASTIQUE D10 DIN137    | ELASTISCHE SCHEIBE D10 DIN137     | SAIBA ELASTICA OND.D10 DIN137              |
| 25  | 15502    | VASCETTA SCARICO ROTONDA D 80mm            | ROUND DRAIN BASIN D.80mm            | CUVE A VIDANGER RONDE D.80mm     | RUNDE ABFLUSSCHALE D.80mm         | VAS DE SCURGERE ROTUND D.80mm              |
| 26  | 25686    | RACC.1/4x1/4 FLANGIA                       | CONNECTION 1/4x1/4 FITING           | RACCORD 1/4x1/4 BRIDE            | ANSCHLUSS 1/4x1/4 FLANSCH         | RACORD 1/4x1/4                             |
| 27  | 25708    | RACC.1/4x1/4 GRUPPO LEVETTA                | CONNECTION 1/4x1/4 GTROUPS          | RACCORD 1/4x1/4 GROUPE           | ANSCHLUSS 1/4x1/4 GRUPPEN         | RACORD 1/4x1/4 GRUP                        |
| 28  | 12153    | GU CU 1/4 17x13.3x1.5                      | GASKET 1/4 17x13.3x1.5 COPPER       | JOINT CUIVRE 1/4 17x13.3x1.5     | KUPFERDICHTUNG 1/4 17x13.3x1.5    | GARNITURA DIN CUPRU 1/4 17X13.3X1.5.       |
| 29  | 10254    | FILTRO ACCIAIO 160-200 MESH                | STEEL FILTER 160-200 MESH           | FILTRE EN ACIER 160-200 MESH     | STAHLFILTER 160-200 MESH          | Filtru din otel 160-200 MESH.              |
| 30  | 12329    | GU OR 2031 VITON 7.66xW1.78 H2O D.E        | GASKET OR HNBR 7.66xW1.78           | JOINT OR HNBR 7.66x1.78          | OR DICHTUNG HNBR 7.66xW1.78       | GARNITURA DIN CAUCIUC 7.66xW1.78           |
| 31  | 18126    | DOSATORE FLOWMETER FH 12 909602            | FLOWMETER DOSER FH 12 909602        | DOSEUR FLOWMETER FH 12 909602    | DOSIERER FLOWMETER FH 12 909602   | DOZATOR VOLUMETRIC FH 12 909602.           |
| 32  | 56122000 | ASSIEME DOSATORE                           | DOSER KIT                           | ENSEMBLE DOSEUR                  | UNTER DOSIERER                    | ANSAMBLU DOZATOR VOLUMETRIC                |



| Pos | Cod.     | Denominazione - IT -                          | Denomination - GB -              | Denomination - FR -               | Denomination - DE -                     | Denumire - RO -                            |
|-----|----------|---|----------------------------------|-----------------------------------|---|--|
| 1   | 52005004 | TBS.D-10 L.230 FM5 MCE 011 SCA.INT>GR.DX      | TUBE D-10 L.230 FM5              | TUYAU D-10 L.230 FM5              | ROHR D-10 L.230 FM5                     | TUB D-10 L.230 FM5                         |
| 2   | 52000272 | TBS.D-10 L.135 DV73 SCAMBIATOR                | D-10 L135 PIPE DV 73             | TUYAU D-10 L.135 DV 73            | ROHR D. 10 L.135 DV 73                  | TUB D-10 L.135 DV73 SCHIMBATOR             |
| 3   | 23294003 | STROZZATURA RICIRCOLO GR CTS D 4              | CTS UNIT D 4 RECIRC. NECK        | ETRANGLEMENT RECYCLAGE GR.D.4     | ENGSTELLE UMWALZUNG D. 4                | JIGLER PT.CIRCULATIE APA GR CTS D 4        |
| 4   | 52000245 | TBS.D-10 L.165 DV46 SCAMBIATOR                | D-10 L165 PIPE DV 46             | TUYAU D-10 L.165 DV 46            | ROHR D. 10 L.165 DV 46                  | TUB D-10 L.165 DV46 SCHIMBATOR             |
| 5   | 52005005 | TBS.D-10 L.210 FM6 SCAMBIATORE INT. > GRUPP   | TUBE D-10 L.210 FM6              | TUYAU D-10 L.210 FM6              | ROHR D-10 L.210 FM6                     | TUB D-10 L.210 FM6                         |
| 6   | 52005003 | TBS.D-10 L.280 FM4 CLD>VAP.DX                 | TUBE D-10 L.280 FM4              | TUYAU D-10 L.280 FM4              | ROHR D-10 L.280 FM4                     | TUB D-10 L.280 FM4 CAZ>VAP.DR              |
| 7   | 52004323 | TBS.D-6 L.780 2GR W348 W.ECO-10 PRESS-MAN.>   | TUBE D-6 L.780 2GR W348 W.ECO-10 | TUYAU D-6 L.780 2GR W348 W.ECO-10 | ROHR D-6 L.780 2GR W348 W.ECO-10        | TUB D-6 L.780 2GR W348 W.ECO-10            |
| 8   | 52003019 | TBS.D-10 L.315 AEP 2-3GR FM20 CLD>EV H2O      | TUBE D-10 L.315 AEP 2-3GR FM20   | TUYAU D-10 L.315 AEP 2-3GR FM20   | ROHR D-10 L.315 AEP 2-3GR FM20          | TUB D-10 L.315 AEP 2-3GR FM20 CAZ>EV H2O   |
| 9   | 52005001 | TBS.D-10 L.135 FM2 CLD>LIV.SUP                | TUBE D-10 L.135 FM2              | TUYAU D-10 L.135 FM2              | ROHR D-10 L.135 FM2                     | TUB ROHR D-10 L.135 FM2                    |
| 10  | 52005011 | TBS.D-10 L.320 2-3GR FM12 CLD>VAP.SX          | TUBE D-10 L.320 2-3GR FM12       | TUYAU D-10 L.320 2-3GR FM12       | ROHR D-10 L.320 2-3GR FM12              | TUB D-10 L.320 2-3GR FM12 CAZAN>VAP.STG    |
| 11  | 52003424 | TBS.D-10 L.103 TC 1GR W285 LIV.INF>CLD        | TUBE D-10 L.103 TC 1GR W285      | TUYAU D-10 L.103 TC 1GR W285      | ROHR D-10 L.103 TC 1GR W285             | TUB D-10 L.103 TC 1GR W285 NIV.INF>CAZ     |
| 12  | 52003014 | TBS.D-6 L.245 2>4GR SP 15INIET                | TUBE D-6 L.245 SP15              | TUYAU D-6 L.245 SP15              | ROHR D-6 L.245 SP15                     | TUB D-6 L.245 2>4GR                        |
| 13  | 52004355 | TBS.D-6 L.200 AEP/2 AR163 TANYA DISTR.>ENTR.  | TUBE D-6 L.200 AEP/2 AR163 TANYA | TUYAU D-6 L.200 AEP/2 AR163 TANYA | ROHR D-6 L.200 AEP/2 AR163 TANYA        | TUB D-6 L.200 AEP/2 AR163 TANYA            |
| 14  | 52001437 | TBS.D-4 L.435 1GR CTS AR 60 CA                | TUBE D-4 L.435 1GR CTS AR 60 CA  | TUYAU D-4 L.435 1GR CTS AR 60 CA  | ROHR D-4 L.435 1GR CTS AR 60 CA         | TUB D-4 L.435 1GR CTS AR 60 CA             |
| 15  | 12155001 | GUARNIZIONE CU 8.5x3.3x1                      | COPPER GASKET 8.5X3.3X1          | JOINT CU 8.5X3.3X1                | KUPFERDICHTUNG 8.5x3.3x1                | GARNITURA DIN CUPRU 8.5X3.3X1              |
| 16  | 52003058 | TBS.D-2 L.1000 1/8-1/8 GL216 CAPILLARE MANOME | TUBE D-2 L.1000 1/8-1/8 GL216    | TUYAU D-2 L.1000 1/8-1/8 GL216    | ROHR D-2 L.1000 1/8-1/8 GL216           | TUB D-2 L.1000 1/8-1/8 GL216               |
| 17  | 52004313 | TBS.D-8 L395 2/3GR AR145 TANYA DIST>CLD       | TUBE D-8 L395 2/3GR AR145 TANYA  | TUYAU D-8 L395 2/3GR AR145 TANYA  | ROHR D-8 L395 2/3GR AR145 TANYA         | TUB D-8 L395 2/3GR AR145 TANYA             |
| 18  | 61016001 | DISTRIBUTORE MULT.CARICO H2O C/W.ECO-10       | WATER DISTRIBUTION BLOCK         | DISTRIBUTEUR EAU                  | WASSER VERTEILER                        | DISTR.MULTIFUNC. H2O C/W.ECO-10            |
| 19  | 18159002 | EL.AEA 220/240V 50-60Hz 125CR                 | SOL.VALVE 220/240V 50-60Hz       | ELECTROVANNE 220/240V 50-60Hz     | ELEKTROVENTIL 220/240V 50-60Hz          | EL.AEA 220/240V 50-60Hz 125CR              |
| 20  | 23293012 | STROZZATURA PER A.E.A. D1.2 MACCHINA ECO-1    | NECK A.E.A D-1.2                 | ETRANGLEMENT A.E.A D-1.2          | UMWALZUNG A.E.A D-1.2                   | JIGLER A.E.A. D1.2 MASINA ECO-10           |
| 21  | 30404    | TUBOFLEX 3/8FF P.GOMMA CON. L45 Ni            | FLEX PIPE 3/8 L45 CONICAL        | TUYAU FLEX 3/8 FF L45             | SCHLAUCH 3/8 AUFNAHMETÜR L45 GUMMI KONI | TUB FLEXIBIL 3/8FF L45 Ni.                 |
| 22  | 15452098 | TUBO SILICONE PLATINICO 6x9 L.270             | SILICONE TUBE D-6x9 L.270        | TUYAU SILICONE D-6x9 L.270        | SILIKONROHR D-6x9 L.270                 | FURTUN DIN SILICON D-6x9 L.270             |
| 23  | 15452125 | TUBO SILICONE PLAT.D- 6x9 L.400               | SILICONE TUBE D-6x9 L.400        | TUYAU SILICONE D-6x9 L.400        | SILIKONROHR D-6x9 L.400                 | FURTUN DE SILICON D-6x9 L.400              |
| 24  | 15422010 | RACC. "Y" POLIPROPILENE D-10                  | Y POLIPROPILENE FITTING D-10     | RACCORD "Y" POLIPROPILENE D-10    | ANSCHLUSS "Y" POLIPROPILENE D-10        | RACORD IN FORMA DE "Y" DIN POLIPROPILENA D |
| 25  | 23052    | DADO OTTONE M10 UNI 5587                      | TOP BRASS NUT M10 UNI 5587       | ECROU LAITON SUP.M10 UNI 5587     | UNTER/MESSING MUTTER M10 UNI 5587       | PIULITA DIN ALAMA M10 UNI 5587             |
| 26  | 23267    | RONDELLA ELAST.ONDUL.D10 DIN137               | ELASTIC WASHER D10 DIN137        | RONDELLE ELASTIQUE D10 DIN137     | ELASTISCHE SCHEIBE D10 DIN137           | SAIBA ELASTICA OND.D10 DIN137              |
| 27  | 15502    | VASCHETTA SCARICO ROTONDA D 80mm              | ROUND DRAIN BASIN D.80mm         | CUVE A VIDANGER RONDE D.80mm      | RUNDE ABFLUSSCHALE D.80mm               | VAS DE SCURGERE ROTUND D.80mm              |
| 28  | 257396   | RACC.SCARICO CALDAIA ASSIEMATO                | CONNECTOR DRAIN BOILER           | RACCORD DRAINER CHAUDIERE         | ANSCHLUSS ABPROPFEN KESSEL              | RACORD SCURGERE CAZAN ASAMBLAT             |

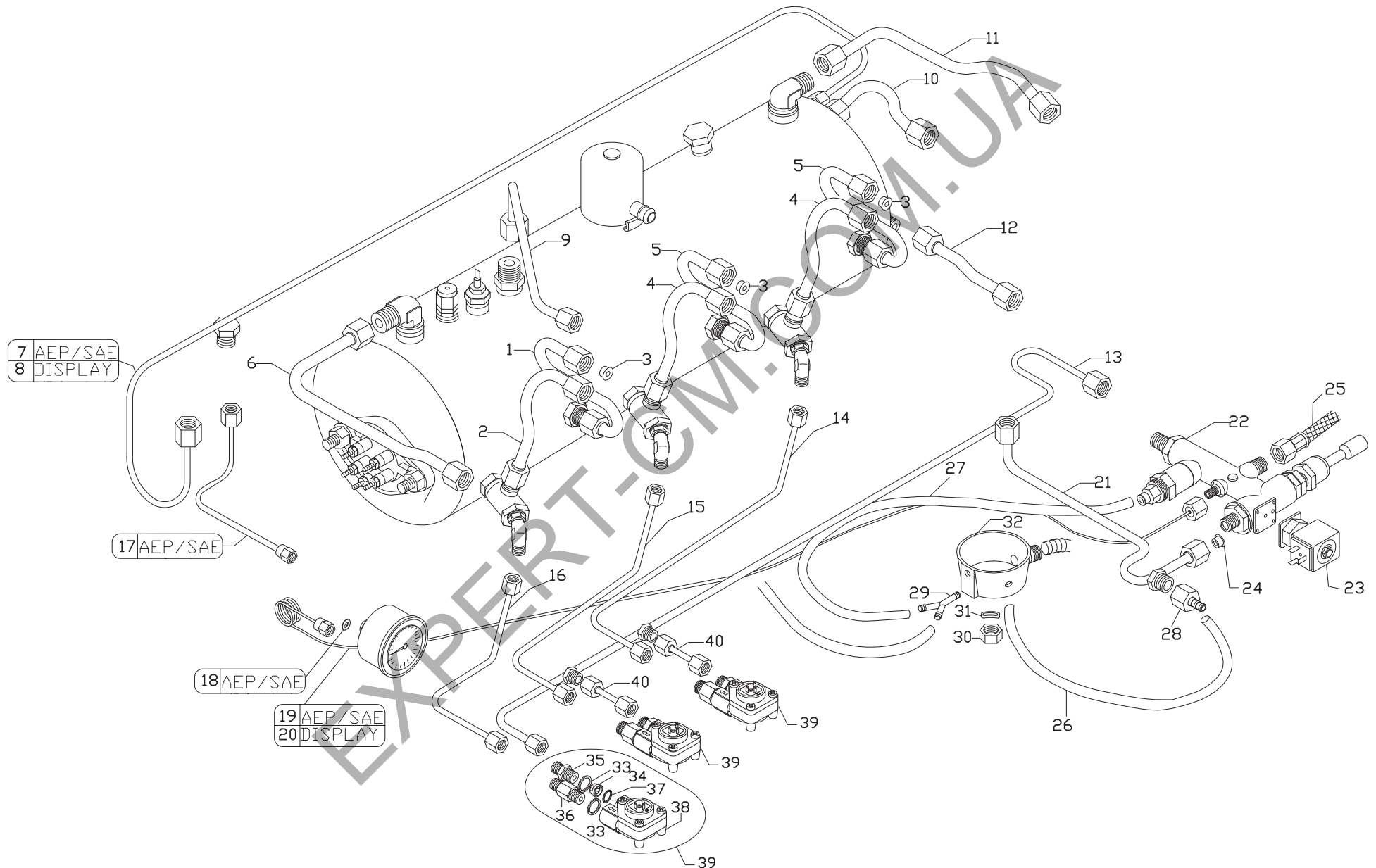


| Pos | Cod.     | Denominazione - IT -                          | Denomination - GB -              | Denomination - FR -               | Denomination - DE -                     | Denumire - RO -                             |
|-----|----------|---|----------------------------------|-----------------------------------|---|---|
| 1   | 52005004 | TBS.D-10 L.230 FM5 MCE 011 SCA.INT>GR.DX      | TUBE D-10 L.230 FM5              | TUYAU D-10 L.230 FM5              | ROHR D-10 L.230 FM5                     | TUB D-10 L.230 FM5                          |
| 2   | 52000272 | TBS.D-10 L.135 DV73 SCAMBIATOR                | D-10 L135 PIPE DV 73             | TUYAU D-10 L.135 DV 73            | ROHR D. 10 L.135 DV 73                  | TUB D-10 L.135 DV73 SCHIMBATOR              |
| 3   | 23294003 | STROZZATURA RICIRCOLO GR CTS D 4              | CTS UNIT D 4 RECIRC. NECK        | ETRANGLEMENT RECYCLAGE GR.D.4     | ENGSTELLE UMWLZUNG D. 4                 | JIGLER PT.CIRCULATIE APA GR CTS D 4         |
| 4   | 52000245 | TBS.D-10 L.165 DV46 SCAMBIATOR                | D-10 L165 PIPE DV 46             | TUYAU D-10 L.165 DV 46            | ROHR D. 10 L.165 DV 46                  | TUB D-10 L.165 DV46 SCHIMBATOR              |
| 5   | 52005005 | TBS.D-10 L.210 FM6 SCAMBIATORE INT. > GRUPPI  | TUBE D-10 L.210 FM6              | TUYAU D-10 L.210 FM6              | ROHR D-10 L.210 FM6                     | TUB D-10 L.210 FM6                          |
| 6   | 52005003 | TBS.D-10 L.280 FM4 CLD>VAP.DX                 | TUBE D-10 L.280 FM4              | TUYAU D-10 L.280 FM4              | ROHR D-10 L.280 FM4                     | TUB D-10 L.280 FM4 CAZ>VAP.DR               |
| 7   | 52004323 | TBS.D-6 L.780 2GR W348 W.ECO-10 PRESS-MAN.>   | TUBE D-6 L.780 2GR W348 W.ECO-10 | TUYAU D-6 L.780 2GR W348 W.ECO-10 | ROHR D-6 L.780 2GR W348 W.ECO-10        | TUB D-6 L.780 2GR W348 W.ECO-10             |
| 8   | 52005006 | TBS.D-6 L.780 2GR FM7 PRESS>CLD               | TUBE D-6 L.780 2GR FM7           | TUYAU D-6 L.780 2GR FM7           | ROHR D-6 L.780 2GR FM7                  | TUB D-6 L.780 2GR FM7 PRESOSTAT>CAZAN       |
| 9   | 52005000 | TBS.D-8 L.300 2-3GR FM CLD>EV H2O             | TUBE D-8 L.300 2-3GR FM          | TUYAU D-8 L.300 2-3GR FM          | ROHR D-8 L.300 2-3GR FM                 | TUB D-8 L.300 2-3GR FM CAZAN>EV H2O         |
| 10  | 52005001 | TBS.D-10 L.135 FM2 CLD>LIV.SUP                | TUBE D-10 L.135 FM2              | TUYAU D-10 L.135 FM2              | ROHR D-10 L.135 FM2                     | TUB ROHR D-10 L.135 FM2                     |
| 11  | 52005011 | TBS.D-10 L.320 2-3GR FM12 CLD>VAP.SX          | TUBE D-10 L.320 2-3GR FM12       | TUYAU D-10 L.320 2-3GR FM12       | ROHR D-10 L.320 2-3GR FM12              | TUB D-10 L.320 2-3GR FM12 CAZAN>VAP.STG     |
| 12  | 52003424 | TBS.D-10 L.103 TC 1GR W285 LIV.INF>CLD        | TUBE D-10 L.103 TC 1GR W285      | TUYAU D-10 L.103 TC 1GR W285      | ROHR D-10 L.103 TC 1GR W285             | TUB D-10 L.103 TC 1GR W285 NIV.INF>CAZ      |
| 13  | 52004304 | TBS.D-6 L.560 2GR W337 C/W.ECO                | TUBE D-6 L.560 2GR W337 C/W.ECO  | TUYAU D-6 L.560 2GR W337 C/W.ECO  | ROHR D-6 L.560 2GR W337 C/W.ECO         | TUB D-6 L.560 2GR W337 C/W.ECO              |
| 14  | 52004324 | TUB.D-6 L.100 2/3GR W349 C/W.E DOS.DX         | TUBE D-6 L.100 2/3GR W349 C/W.E  | TUYAU D-6 L.100 2/3GR W349 C/W.E  | ROHR D-6 L.100 2/3GR W349 C/W.E         | TUB D-6 L.100 2/3GR W349 C/W.E DOZ.DR       |
| 15  | 52001437 | TBS.D-4 L.435 1GR CTS AR 60 CA                | TUBE D-4 L.435 1GR CTS AR 60 CA  | TUYAU D-4 L.435 1GR CTS AR 60 CA  | ROHR D-4 L.435 1GR CTS AR 60 CA         | TUB D-4 L.435 1GR CTS AR 60 CA              |
| 16  | 12155001 | GUARNIZIONE CU 8.5x3.3x1                      | COPPER GASKET 8.5X3.3X1          | JOINT CU 8.5X3.3X1                | KUPFERDICHTUNG 8.5x3.3x1                | GARNITURA DIN CUPRU 8.5X3.3X1               |
| 17  | 52003058 | TBS.D-2 L.1000 1/8-1/8 GL216 CAPILLARE MANOME | TUBE D-2 L.1000 1/8-1/8 GL216    | TUYAU D-2 L.1000 1/8-1/8 GL216    | ROHR D-2 L.1000 1/8-1/8 GL216           | TUB D-2 L.1000 1/8-1/8 GL216                |
| 18  | 52003057 | TBS.D-2 L.1000 1/4-1/8 GL215 CAPILLARE MANOME | TUBE D-2 L.1000 1/4-1/8 GL215    | TUYAU D-2 L.1000 1/4-1/8 GL215    | ROHR D-2 L.1000 1/4-1/8 GL215           | TUB D-2 L.1000 1/4-1/8 GL215                |
| 19  | 52000403 | TUB.D-6 L.310 SAE/2 GL4 DOS.SX>INIETTORE SX   | TUBE D-6 L.310 SAE/2 GL4         | TUYAU D-6 L.310 SAE/2 GL4         | ROHR D-6 L.310 SAE/2 GL4                | TUB D-6 L.310 SAE/2 GL4 DOS.STG>INJECTOR ST |
| 20  | 52000402 | TUB.D-6 L.395 SAE/2 GL3 DOS.DX>INIETTORE DX   | TUBE D-6 L.395 SAE/2 GL3         | TUYAU D-6 L.395 SAE/2 GL3         | ROHR D-6 L.395 SAE/2 GL3                | TUB D-6 L.395 SAE/2 GL3 DOS.DR>INJECTOR DR  |
| 21  | 52004313 | TBS.D-8 L395 2/3GR AR145 TANYA DIST>CLD       | TUBE D-8 L395 2/3GR AR145 TANYA  | TUYAU D-8 L395 2/3GR AR145 TANYA  | ROHR D-8 L395 2/3GR AR145 TANYA         | TUB D-8 L395 2/3GR AR145 TANYA              |
| 22  | 61016001 | DISTRIBUTORE MULT.CARICO H2O C/W.ECO-10       | WATER DISTRIBUTION BLOCK         | DISTRIBUTEUR EAU                  | WASSER VERTEILER                        | DISTR.MULTIFUNC. H2O C/W.ECO-10             |
| 23  | 18159002 | EL.AEA 220/240V 50-60Hz 125CR                 | SOL.VALVE 220/240V 50-60Hz       | ELECTROVANNE 220/240V 50-60Hz     | ELEKTROVENTIL 220/240V 50-60Hz          | EL.AEA 220/240V 50-60Hz 125CR               |
| 24  | 23293012 | STROZZATURA PER A.E.A. D1.2 MACCHINA ECO-1    | NECK A.E.A D-1.2                 | ETRANGLEMENT A.E.A D-1.2          | UMWALZUNG A.E.A D-1.2                   | JIGLER A.E.A. D1.2 MASINA ECO-10            |
| 25  | 30404    | TUBOFLEX 3/8FF P.GOMMA CON. L45 Ni            | FLEX PIPE 3/8 L45 CONICAL        | TUYAU FLEX 3/8 FF L45             | SCHLAUCH 3/8 AUFNAHMETÜR L45 GUMMI KONI | TUB FLEXIBIL 3/8FF L45 Ni.                  |
| 26  | 15452098 | TUBO SILICONE PLATINICO 6x9 L.270             | SILICONE TUBE D-6x9 L.270        | TUYAU SILICONE D-6x9 L.270        | SILIKONROHR D-6x9 L.270                 | FURTUN DIN SILICON D-6x9 L.270              |
| 27  | 15452125 | TUBO SILICONE PLAT.D- 6x9 L.400               | SILICONE TUBE D-6x9 L.400        | TUYAU SILICONE D-6x9 L.400        | SILIKONROHR D-6x9 L.400                 | FURTUN DE SILICON D-6x9 L.400               |
| 28  | 15422010 | RACC. "Y" POLIPROPILENE D-10                  | Y POLIPROPILENE FITTING D-10     | RACCORD "Y" POLIPROPILENE D-10    | ANSCHLUSS "Y" POLIPROPILENE D-10        | RACORD IN FORMA DE "Y" DIN POLIPROPILENA D  |
| 29  | 23052    | DADO OTTONE M10 UNI 5587                      | TOP BRASS NUT M10 UNI 5587       | ECROU LAITON SUP.M10 UNI 5587     | UNTER/MESSING MUTTER M10 UNI 5587       | PIULITA DIN ALAMA M10 UNI 5587              |
| 30  | 23267    | RONDELLA ELAST.ONDUL.D10 DIN137               | ELASTIC WASHER D10 DIN137        | RONDELLE ELASTIQUE D10 DIN137     | ELASTISCHE SCHEIBE D10 DIN137           | SAIBA ELASTICA OND.D10 DIN137               |
| 31  | 15502    | VASCHETTA SCARICO ROTONDA D 80mm              | ROUND DRAIN BASIN D.80mm         | CUVE A VIDANGER RONDE D.80mm      | RUNDE ABFLUSSCHALE D.80mm               | VAS DE SCURGERE ROTUND D.80mm               |
| 32  | 25686    | RACCORDO 1/4x1/4 FLANGIA                      | CONNECTOR 1/4 x 1/4              | RACCORD 1/4 x 1/4                 | ANSCHLUSS 1/4x1/4                       | RACORD 1/4X1/4 flansa.                      |
| 33  | 25708    | RACC.1/4x1/4 GRUPPO LEVETTA                   | CONNECTOR 1/4x1/4 FITTING        | RACCORD 1/4x1/4                   | ANSCHLUSS 1/4x1/4                       | RACORD 1/4X1/4                              |
| 34  | 12153    | GU CU 1/4 17x13.3x1.5                         | GASKET 1/4 17x13.3x1.5 COPPER    | JOINT CUIVRE 1/4 17x13.3x1.5      | KUPFERDICHTUNG 1/4 17x13.3x1.5          | GARNITURA DIN CUPRU 1/4 17X13.3X1.5.        |
| 35  | 10254    | FILTRO ACCIAIO 160-200 MESH                   | STEEL FILTER 160-200 MESH        | FILTRE EN ACIER 160-200 MESH      | STAHLFILTER 160-200 MESH                | FILTRU DIN OTEL 160-200 MESH.               |
| 36  | 12329    | GUARNIZIONE OR HNBR 7.66xW1.78                | GASKET OR HNBR 7.66xW1.78        | JOINT OR HNBR 7.66x1.78           | OR DICHTUNG HNBR 7.66xW1.78             | GARNITURA DIN CAUCIUC 7.66xW1.78            |
| 37  | 18126    | DOSATORE FLOWMETER FH 12 909602               | FLOWMETER DOSER FH 12 909602     | DOSEUR FLOWMETER FH 12 909602     | DOSIERER FLOWMETER FH 12 909602         | DOZATOR VOLUMETRIC FH 12 909602             |
| 38  | 56122000 | ASS.DOSATORE                                  | DOSER KIT                        | KIT DOSEUR                        | DOSIERER                                | ANSAMBLU DOZATOR VOLUMETRIC                 |
| 39  | 257396   | RACC.SCARICO CALDAIA ASSIEMATO                | CONNECTOR DRAIN BOILER           | RACCORD DRAINER CHAUDIERE         | ANSCHLUSS ABPROPFEN KESSEL              | RACORD SCURGERE CAZAN ASAMBLAT              |

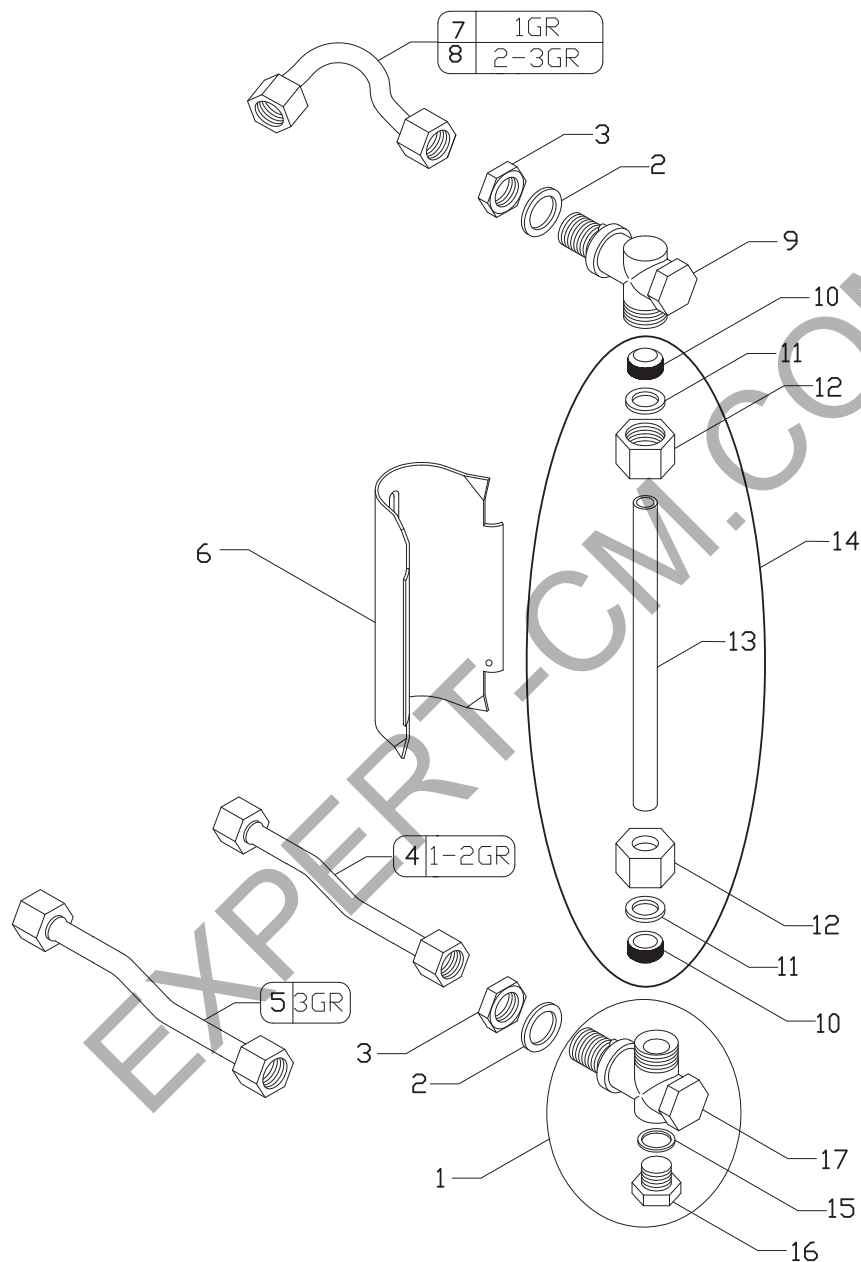


| Pos | Cod.     | Denominazione - IT -                        | Denomination - GB -                | Denomination - FR -              | Denomination - DE -                     | Denumire - RO -                            |
|-----|----------|---|------------------------------------|----------------------------------|---|--|
| 1   | 52005004 | TBS.D-10 L.230 FM5 MCE 011 SCA.INT>GR.DX    | TUBE D-10 L.230 FM5                | TUYAU D-10 L.230 FM5             | ROHR D-10 L.230 FM5                     | TUB D-10 L.230 FM5                         |
| 2   | 52000272 | TBS.D-10 L.135 DV73 SCAMBIATOR              | D-10 L135 PIPE DV 73               | TUYAU D-10 L.135 DV 73           | ROHR D. 10 L.135 DV 73                  | TUB D-10 L.135 DV73 SCHIMBATOR             |
| 3   | 23294003 | STROZZATURA RICIRCOLO GR CTS D 4            | CTS UNIT D 4 RECIRC. NECK          | ETRANGLEMENT RECYCLAGE GR.D.4    | ENGSTELLE UMWLZUNG D. 4                 | JIGLER PT.CIRCULATIE APA GR CTS D 4        |
| 4   | 52000245 | TBS.D-10 L.165 DV46 SCAMBIATOR              | D-10 L165 PIPE DV 46               | TUYAU D-10 L.165 DV 46           | ROHR D. 10 L.165 DV 46                  | TUB D-10 L.165 DV46 SCHIMBATOR             |
| 5   | 52005005 | TBS.D-10 L.210 FM6 SCAMBIATORE INT. > GRUPP | TUBE D-10 L.210 FM6                | TUYAU D-10 L.210 FM6             | ROHR D-10 L.210 FM6                     | TUB D-10 L.210 FM6                         |
| 6   | 52005003 | TBS.D-10 L.280 FM4 CLD>VAP.DX               | TUBE D-10 L.280 FM4                | TUYAU D-10 L.280 FM4             | ROHR D-10 L.280 FM4                     | TUB D-10 L.280 FM4 CAZ>VAP.DR              |
| 7   | 52005014 | TBS.D-6 L.940 3GR FM15 CLD>PRESS            | TUBE D-6 L.940 3GR FM15            | TUYAU D-6 L.940 3GR FM15         | ROHR D-6 L.940 3GR FM15                 | TUB D-6 L.940 3GR FM15 CAZ>PRESOSTAT       |
| 8   | 52003019 | TBS.D-10 L.315 AEP 2-3GR FM20 CLD>EV H2O    | TUBE D-10 L.315 AEP 2-3GR FM20     | TUYAU D-10 L.315 AEP 2-3GR FM20  | ROHR D-10 L.315 AEP 2-3GR FM20          | TUB D-10 L.315 AEP 2-3GR FM20 CAZ>EV H2O   |
| 9   | 52005001 | TBS.D-10 L.135 FM2 CLD>LIV.SUP              | TUBE D-10 L.135 FM2                | TUYAU D-10 L.135 FM2             | ROHR D-10 L.135 FM2                     | TUB ROHR D-10 L.135 FM2                    |
| 10  | 52005011 | TBS.D-10 L.320 2-3GR FM12 CLD>VAP.SX        | TUBE D-10 L.320 2-3GR FM12         | TUYAU D-10 L.320 2-3GR FM12      | ROHR D-10 L.320 2-3GR FM12              | TUB D-10 L.320 2-3GR FM12 CAZAN>VAP.STG    |
| 11  | 52003446 | TBS.D-10 L.105 W307 LIVELLO INF>CLD         | TUBE D-10 L.105 W307               | TUYAU D-10 L.105 W307            | ROHR D-10 L.105 W307                    | TUB D-10 L.105 W307 NIV.INF>CAZ            |
| 12  | 52005017 | TUB.D-6 L.480 3GR FM18 DISTR>SCAMBIATORE    | TUBE D-6 L.480 3GR FM18            | TUYAU D-6 L.480 3GR FM18         | ROHR D-6 L.480 3GR FM18                 | TUB D-6 L.480 3GR FM18                     |
| 13  | 52003454 | TBS.D-6 L.245 TC 3GR W315                   | TUBE D-6 L.245 TC 3GR W315         | TUYAU D-6 L.245 TC 3GR W315      | ROHR D-6 L.245 TC 3GR W315              | TUB D-6 L.245 TC 3GR W315                  |
| 14  | 52003014 | TBS.D-6 L.245 2>4GR SP 15INIET              | TUBE D-6 L.245 SP15                | TUYAU D-6 L.245 SP15             | ROHR D-6 L.245 SP15                     | TUB D-6 L.245 2>4GR                        |
| 15  | 52001437 | TBS.D-4 L.435 1GR CTS AR 60 CA              | TUBE D-4 L.435 1GR CTS AR 60 CA    | TUYAU D-4 L.435 1GR CTS AR 60 CA | ROHR D-4 L.435 1GR CTS AR 60 CA         | TUB D-4 L.435 1GR CTS AR 60 CA             |
| 16  | 12155001 | GUARNIZIONE CU 8.5x3.3x1                    | COPPER GASKET 8.5X3.3X1            | JOINT CU 8.5X3.3X1               | KUPFERDICHTUNG 8.5x3.3x1                | GARNITURA DIN CUPRU 8.5X3.3X1              |
| 17  | 52003060 | TBS.D-2 L.1500 1/8-1/8 GL218                | TUBE D-2 L.1500 1/8-1/8 GL218      | TUYAU D-2 L.1500 1/8-1/8 GL218   | ROHR D-2 L.1500 1/8-1/8 GL218           | TUB D-2 L.1500 1/8-1/8 GL218               |
| 18  | 52004313 | TBS.D-8 L395 2/3GR AR145 TANYA DIST>CLD     | TUBE D-8 L395 2/3GR AR145 TANYA    | TUYAU D-8 L395 2/3GR AR145 TANYA | ROHR D-8 L395 2/3GR AR145 TANYA         | TUB D-8 L395 2/3GR AR145 TANYA             |
| 19  | 61016001 | DISTRIBUTORE MULT.CARICO H2O C/W.ECO-10     | WATER DISTRIBUTION BLOCK           | DISTRIBUTEUR EAU                 | WASSER VERTEILER                        | DISTR.MULTIFUNC. H2O C/W.ECO-10            |
| 20  | 18159002 | EL.AEA 220/240V 50-60Hz 125CR               | SOL.VALVE 220/240V 50-60Hz         | ELECTROVANNE 220/240V 50-60Hz    | ELEKTROVENTIL 220/240V 50-60Hz          | EL.AEA 220/240V 50-60Hz 125CR              |
| 21  | 23293012 | STROZZATURA PER A.E.A. D1.2 MACCHINA ECO-1  | NECK A.E.A D-1.2                   | ETRANGLEMENT A.E.A D-1.2         | UMWALZUNG A.E.A D-1.2                   | JIGLER A.E.A. D1.2 MASINA ECO-10           |
| 22  | 30404    | TUBOFLEX 3/8FF P.GOMMA CON. L45 Ni          | FLEX PIPE 3/8 L45 CONICAL          | TUYAU FLEX 3/8 FF L45            | SCHLAUCH 3/8 AUFNAHMETÜR L45 GUMMI KONI | TUB FLEXIBIL 3/8FF L45 Ni.                 |
| 23  | 15452125 | TUBO SILICONE PLAT.D-6x9 L.400              | SILICONE TUBE D-6x9 L.400          | TUYAU SILICONE D-6x9 L.400       | SILIKONROHR D-6x9 L.400                 | FURTUN DE SILICON D-6x9 L.400              |
| 24  | 15477013 | TUBO SILICONE PLAT.D-6x9 (1mt=0.035 kg)     | SILICONE TUBE D-6x9 (1mt=0.035 kg) | TUYAU SILICONE D-6x9 L.195       | SILIKONROHR D-6x9 (1mt=0.035 kg)        | FURTUN DE SILICON D-6x9 (1mt=0.035 kg)     |
| 25  | 257396   | RACC.SCARICO CALDAIA ASSIEMATO              | CONNECTOR DRAIN BOILER             | RACCORD DRAINER CHAUDIERE        | ANSCHLUSS ABPROPFEN KESSEL              | RACORD SCURGERE CAZAN ASAMBLAT             |
| 26  | 15422010 | RACC. "Y" POLIPROPILENE D-10                | Y POLIPROPILENE FITTING D-10       | RACCORD "Y" POLIPROPILENE D-10   | ANSCHLUSS "Y" POLIPROPILENE D-10        | RACORD IN FORMA DE "Y" DIN POLIPROPILENA D |
| 27  | 23052    | DADO OTTONE M10 UNI 5587                    | TOP BRASS NUT M10 UNI 5587         | ECROU LAITON SUP.M10 UNI 5587    | UNTER/MESSING MUTTER M10 UNI 5587       | PIULITA DIN ALAMA M10 UNI 5587             |
| 28  | 23267    | RONDELLA ELAST.ONDUL.D10 DIN137             | ELASTIC WASHER D10 DIN137          | RONDELLE ELASTIQUE D10 DIN137    | ELASTISCHE SCHEIBE D10 DIN137           | SAIBA ELASTICA OND.D10 DIN137              |
| 29  | 15502    | VASCHETTA SCARICO ROTONDA D 80mm            | ROUND DRAIN BASIN D.80mm           | CUVE A VIDANGER RONDE D.80mm     | RUNDE ABFLUSSCHALE D.80mm               | VAS DE SCURGERE ROTUND D.80mm              |

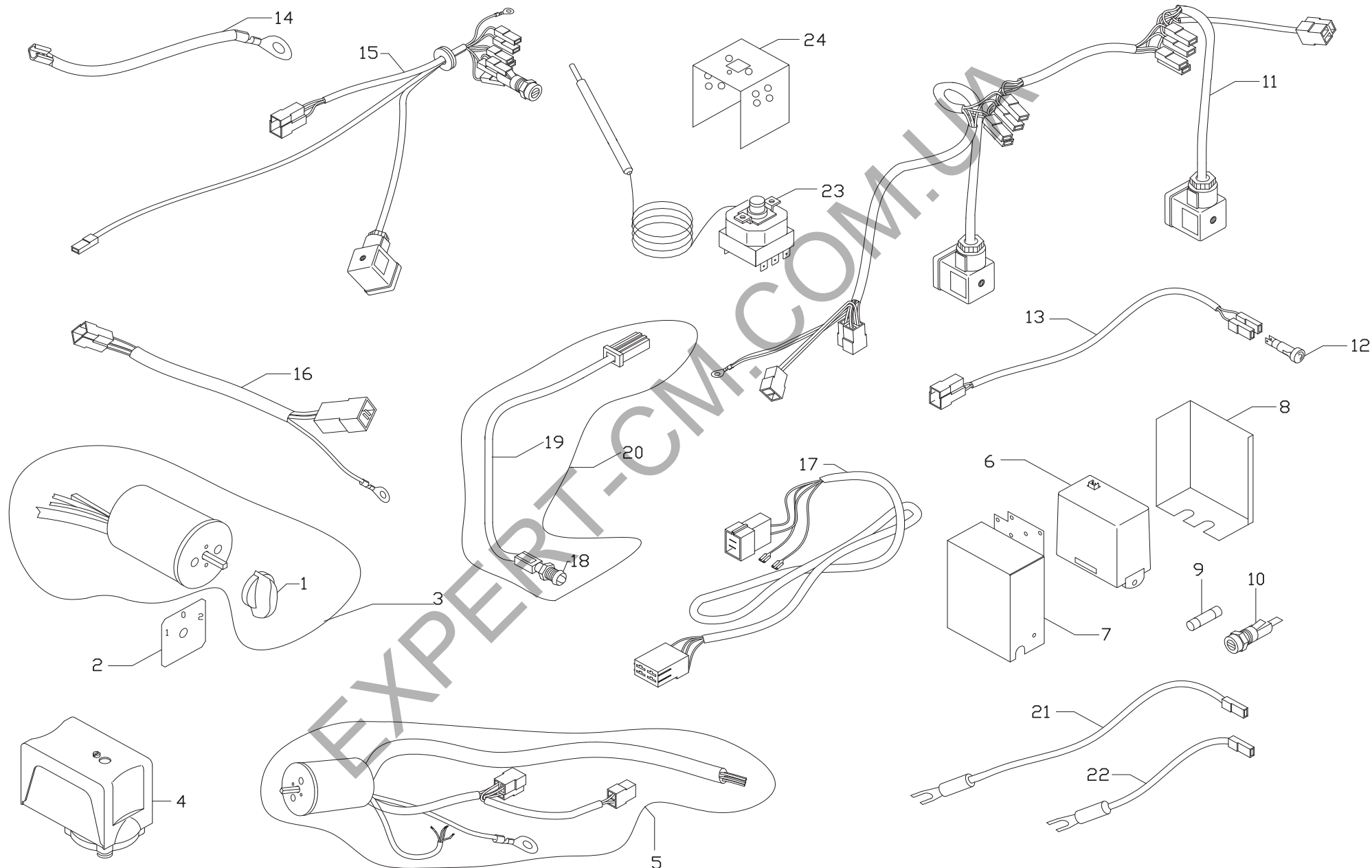




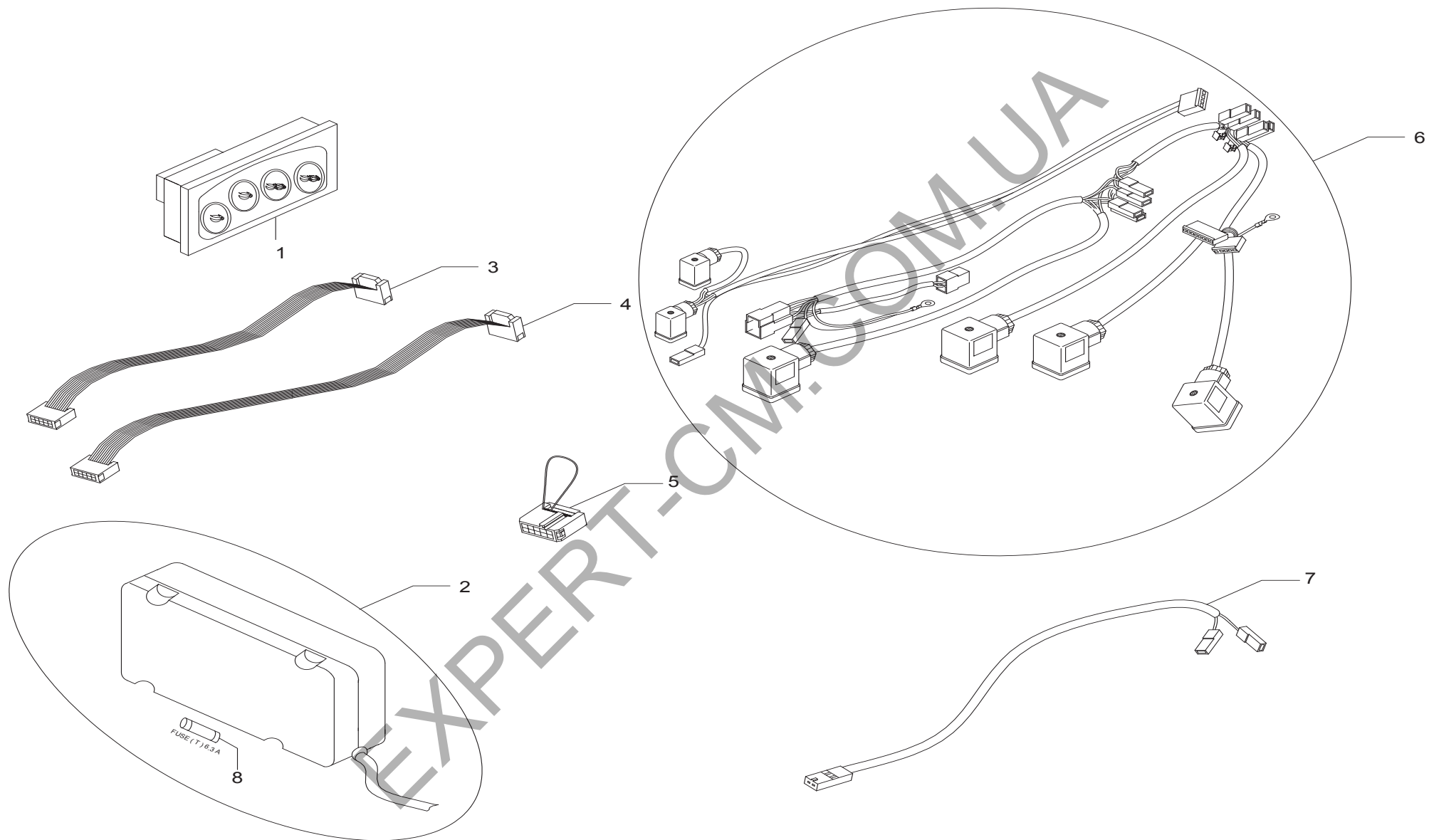
| Pos | Cod.     | Denominazione - IT -                        | Denomination - GB -                | Denomination - FR -                 | Denomination - DE -                     | Denumire - RO -                             |
|-----|----------|---|------------------------------------|-------------------------------------|---|---|
| 1   | 52005004 | TBS.D-10 L.230 FM5 MCE 011 SCA.INT>GR.DX    | TUBE D-10 L.230 FM5                | TUYAU D-10 L.230 FM5                | ROHR D-10 L.230 FM5                     | TUB D-10 L.230 FM5                          |
| 2   | 52000272 | TBS.D-10 L.135 DV73 SCAMBIATOR              | D-10 L135 PIPE DV 73               | TUYAU D-10 L.135 DV 73              | ROHR D. 10 L.135 DV 73                  | TUB D-10 L.135 DV73 SCHIMBATOR              |
| 3   | 23294003 | STROZZATURA RICIRCOLO GR CTS D 4            | CTS UNIT D 4 RECIRC. NECK          | ETRANGLEMENT RECYCLAGE GR.D.4       | ENGSTELLE UMWLZUNG D. 4                 | JIGLER PT.CIRCULATIE APA GR CTS D 4         |
| 4   | 52000245 | TBS.D-10 L.165 DV46 SCAMBIATOR              | D-10 L165 PIPE DV 46               | TUYAU D-10 L.165 DV 46              | ROHR D. 10 L.165 DV 46                  | TUB D-10 L.165 DV46 SCHIMBATOR              |
| 5   | 52005005 | TBS.D-10 L.210 FM6 SCAMBIATORE INT. > GRUPP | TUBE D-10 L.210 FM6                | TUYAU D-10 L.210 FM6                | ROHR D-10 L.210 FM6                     | TUB D-10 L.210 FM6                          |
| 6   | 52005003 | TBS.D-10 L.280 FM4 CLD>VAP.DX               | TUBE D-10 L.280 FM4                | TUYAU D-10 L.280 FM4                | ROHR D-10 L.280 FM4                     | TUB D-10 L.280 FM4 CAZ>VAP.DR               |
| 7   | 52005014 | TBS.D-6 L.940 3GR FM15 CLD>PRESS            | TUBE D-6 L.940 3GR FM15            | TUYAU D-6 L.940 3GR FM15            | ROHR D-6 L.940 3GR FM15                 | TUB D-6 L.940 3GR FM15 CAZ>PRESOSTAT        |
| 8   | 52005015 | TBS.D-6 L.940 3GR+DSP FM16 CLD>PRES         | TUBE D-6 L.940 3GR+DSP FM16        | TUYAU D-6 L.940 3GR+DSP FM16        | ROHR D-6 L.940 3GR+DSP FM16             | TUB D-6 L.940 3GR+DSP FM16 CAZ>PRESOSTAT    |
| 9   | 52005000 | TBS.D-8 L.300 2-3GR FM CLD>EV H2O           | TUBE D-8 L.300 2-3GR FM            | TUYAU D-8 L.300 2-3GR FM            | ROHR D-8 L.300 2-3GR FM                 | TUB D-8 L.300 2-3GR FM CAZAN>EV H2O         |
| 10  | 52005001 | TBS.D-10 L.135 FM2 CLD>LIV.SUP              | TUBE D-10 L.135 FM2                | TUYAU D-10 L.135 FM2                | ROHR D-10 L.135 FM2                     | TUB ROHR D-10 L.135 FM2                     |
| 11  | 52005011 | TBS.D-10 L.320 2-3GR FM12 CLD>VAP.SX        | TUBE D-10 L.320 2-3GR FM12         | TUYAU D-10 L.320 2-3GR FM12         | ROHR D-10 L.320 2-3GR FM12              | TUB D-10 L.320 2-3GR FM12 CAZAN>VAP.STG     |
| 12  | 52003446 | TBS.D-10 L.105 TC W307 LIV.INF>CLD          | TUBE D-10 L.105 TC W307            | TUYAU D-10 L.105 TC W307            | ROHR D-10 L.105 TC W307                 | TUB D-10 L.105 TC W307 NIV.INF>CAZ          |
| 13  | 52004336 | TBS.D-6 L.830 3GR W364 C/W.ECO-10           | TUBE D-6 L.830 3GR W364 C/W.ECO-10 | TUYAU D-6 L.830 3GR W364 C/W.ECO-10 | ROHR D-6 L.830 3GR W364 C/W.ECO-10      | TUB D-6 L.830 3GR W364 C/W.ECO-10           |
| 14  | 52005016 | TBS.D-6 L.535 3GR FM17                      | YTUBE D-6 L.535 3GR FM17           | TUYAU D-6 L.535 3GR FM17            | ROHR D-6 L.535 3GR FM17                 | TUB D-6 L.535 3GR FM17                      |
| 15  | 52000402 | TUB.D-6 L.395 SAE/2 GL3 DOS.DX>INIETTORE DX | TUBE D-6 L.395 SAE/2 GL3           | TUYAU D-6 L.395 SAE/2 GL3           | ROHR D-6 L.395 SAE/2 GL3                | TUB D-6 L.395 SAE/2 GL3 DOS.DR>INJECTOR DR  |
| 16  | 52000403 | TUB.D-6 L.310 SAE/2 GL4 DOS.SX>INIETTORE SX | TUBE D-6 L.310 SAE/2 GL4           | TUYAU D-6 L.310 SAE/2 GL4           | ROHR D-6 L.310 SAE/2 GL4                | TUB D-6 L.310 SAE/2 GL4 DOS.STG>INJECTOR ST |
| 17  | 52001437 | TBS.D-4 L.435 1GR CTS AR 60 CA              | TUBE D-4 L.435 1GR CTS AR 60 CA    | TUYAU D-4 L.435 1GR CTS AR 60 CA    | ROHR D-4 L.435 1GR CTS AR 60 CA         | TUB D-4 L.435 1GR CTS AR 60 CA              |
| 18  | 12155001 | GUARNIZIONE CU 8.5x3.3x1                    | COPPER GASKET 8.5X3.3X1            | JOINT CU 8.5X3.3X1                  | KUPFERDICHTUNG 8.5x3.3x1                | GARNITURA DIN CUPRU 8.5X3.3X1               |
| 19  | 52003060 | TBS.D-2 L.1500 1/8-1/8 GL218                | TUBE D-2 L.1500 1/8-1/8 GL218      | TUYAU D-2 L.1500 1/8-1/8 GL218      | ROHR D-2 L.1500 1/8-1/8 GL218           | TUB D-2 L.1500 1/8-1/8 GL218                |
| 20  | 52003059 | TBS.D-2 L.1500 1/4-1/8 GL217                | TUBE D-2 L.1500 1/4-1/8 GL217      | TUYAU D-2 L.1500 1/4-1/8 GL217      | ROHR D-2 L.1500 1/4-1/8 GL217           | TUB D-2 L.1500 1/4-1/8 GL217                |
| 21  | 52004313 | TBS.D-8 L395 2/3GR AR145 TANYA DIST>CLD     | TUBE D-8 L395 2/3GR AR145 TANYA    | TUYAU D-8 L395 2/3GR AR145 TANYA    | ROHR D-8 L395 2/3GR AR145 TANYA         | TUB D-8 L395 2/3GR AR145 TANYA              |
| 22  | 61016001 | DISTRIBUTORE MULT.CARICO H2O C/W.ECO-10     | WATER DISTRIBUTION BLOCK           | DISTRIBUTEUR EAU                    | WASSER VERTEILER                        | DISTR.MULTIFUNC. H2O C/W.ECO-10             |
| 23  | 18159002 | EL.AEA 220/240V 50-60Hz 125CR               | SOL.VALVE 220/240V 50-60Hz         | ELECTROVANNE 220/240V 50-60Hz       | ELEKTROVENTIL 220/240V 50-60Hz          | EL.AEA 220/240V 50-60Hz 125CR               |
| 24  | 23293012 | STROZZATURA PER A.E.A. D1.2 MACCHINA ECO-1  | NECK A.E.A D-1.2                   | ETRANGLEMENT A.E.A D-1.2            | UMWALZUNG A.E.A D-1.2                   | JIGLER A.E.A. D1.2 MASINA ECO-10            |
| 25  | 30404    | TUBOFLEX 3/8FF P.GOMMA CON. L45 Ni          | FLEX PIPE 3/8 L45 CONICAL          | TUYAU FLEX 3/8 FF L45               | SCHLAUCH 3/8 AUFNAHMETÜR L45 GUMMI KONI | TUB FLEXIBIL 3/8FF L45 Ni.                  |
| 26  | 15452125 | TUBO SILICONE PLAT.D-6x9 L.400              | SILICONE TUBE D-6x9 L.400          | TUYAU SILICONE D-6x9 L.400          | SILIKONROHR D-6x9 L.400                 | FURTUN DE SILICON D-6x9 L.400               |
| 27  | 15477013 | TUBO SILICONE PLAT.D-6x9 (1mt=0.035 kg)     | SILICONE TUBE D-6x9 (1mt=0.035 kg) | TUYAU SILICONE D-6x9 L.195          | SILIKONROHR D-6x9 (1mt=0.035 kg)        | FURTUN DE SILICON D-6x9 (1mt=0.035 kg)      |
| 28  | 257396   | RACC.SCARICO CALDAIA ASSIEMATO              | CONNECTOR DRAIN BOILER             | RACCORD DRAINER CHAUDIERE           | ANSCHLUSS ABPROPFFEN KESSEL             | RACORD SCURGERE CAZAN ASAMBLAT              |
| 29  | 15422010 | RACC. "Y" POLIPROPILENE D-10                | Y POLIPROPILENE FITTING D-10       | RACCORD "Y" POLIPROPILENE D-10      | ANSCHLUSS "Y" POLIPROPILENE D-10        | RACORD IN FORMA DE "Y" DIN POLIPROPILENA D  |
| 30  | 23052    | DADO OTTONE M10 UNI 5587                    | TOP BRASS NUT M10 UNI 5587         | ECROU LAITON SUP.M10 UNI 5587       | UNTER/MESSING MUTTER M10 UNI 5587       | PIULITA DIN ALAMA M10 UNI 5587              |
| 31  | 23267    | RONDELLA ELAST.ONDUL.D10 DIN137             | ELASTIC WASHER D10 DIN137          | RONDELLE ELASTIQUE D10 DIN137       | ELASTISCHE SCHEIBE D10 DIN137           | SAIBA ELASTICA OND.D10 DIN137               |
| 32  | 15502    | VASCHETTA SCARICO ROTONDA D 80mm            | ROUND DRAIN BASIN D.80mm           | CUVE A VIDANGER RONDE D.80mm        | RUNDE ABFLUSSCHALE D.80mm               | VAS DE SCURGERE ROTUND D.80mm               |
| 33  | 12153    | GU CU 1/4 17x13.3x1.5                       | GASKET 1/4 17x13.3x1.5 COPPER      | JOINT CUIVRE 1/4 17x13.3x1.5        | KUPFERDICHTUNG 1/4 17x13.3x1.5          | GARNITURA DIN CUPRU 1/4 17X13.3X1.5.        |
| 34  | 10254    | FILTRO ACCIAIO 160-200 MESH                 | STEEL FILTER 160-200 MESH          | FILTRE EN ACIER 160-200 MESH        | STAHLFILTER 160-200 MESH                | FILTRU DIN OTEL 160-200 MESH.               |
| 35  | 25686    | RACCORDO 1/4x1/4 FLANGIA                    | CONNECTOR 1/4 x 1/4                | RACCORD 1/4 x 1/4                   | ANSCHLUSS 1/4x1/4                       | RACORD 1/4X1/4 FLANSA                       |
| 36  | 25708    | RACC.1/4x1/4 GRUPPO LEVETTA                 | CONNECTOR 1/4x1/4 FITTING          | RACCORD 1/4x1/4                     | ANSCHLUSS 1/4x1/4                       | RACORD 1/4X1/4                              |
| 37  | 12329    | GUARNIZIONE OR HNBR 7.66xW1.78              | GASKET OR HNBR 7.66xW1.78          | JOINT OR HNBR 7.66x1.78             | OR DICHTUNG HNBR 7.66xW1.78             | GARNITURA DIN CAUCIUC 7.66xW1.78            |
| 38  | 18126    | DOSATORE FLOWMETER FH 12 909602             | FLOWMETER DOSER FH 12 909602       | DOSEUR FLOWMETER FH 12 909602       | DOSIERER FLOWMETER FH 12 909602         | DOZATOR VOLUMETRIC FH 12 909602             |
| 39  | 56122000 | ASS.DOSATORE                                | DOSER KIT                          | KIT DOSEUR                          | DOSIERER                                | ANSAMBLU DOZATOR VOLUMETRIC                 |
| 40  | 52004324 | TUB.D-6 L.100 2/3GR W349 C/W.E DOS.DX       | TUBE D-6 L.100 2/3GR W349 C/W.E    | TUYAU D-6 L.100 2/3GR W349 C/W.E    | ROHR D-6 L.100 2/3GR W349 C/W.E         | TUB D-6 L.100 2/3GR W349 C/W.E DOZ.DR       |



| Pos.Cod | Denominazione - IT -                                | Denomination - GB -                 | Denomination - FR -                | Denomination - DE -             | Denumire - RO -                           |
|---------|---|-------------------------------------|------------------------------------|---------------------------------|---|
| 1       | 56005 ASS.CORPO LIVELLO INFERIORE                   | LOWER LEVEL BODY UNIT               | ENSEMBLE CORPS DE NIVEAU INFERIEUR | UNTER NIVEAUKORPER              | ANSAMBLU CORP PT. NIVELUL INFERIOR        |
| 2       | 25651 RONDELLA OTTONE 3/8                           | BRASS WASHER 3/8                    | RONDELLE LAITON 3/8                | MESSINGSCHIEBE 3/8              | SAIBA DIN ALAMA 3/8                       |
| 3       | 25356 CONTRODADO OTTONE 3/8                         | BRASS LOCK NUT 3/8                  | CONTRE-ECROU LAITON 3/8            | MESSING-GEGENMUTTER 3/8         | CONTRAPIULITA DIN ALAMA 3/8               |
| 4       | 52003424 TBS.D-10 L.103 1GR W285 LIV.>CLD           | TUBE D-10 L.103 TC 1GR W285         | TUYAU D-10 L.103 TC 1GR W285       | ROHR D-10 L.103 TC 1GR W285     | TUB D-10 L103 1GR W285 NIV.>CAZ           |
| 5       | 52003446 TBS.D-10 L.105 2GR W307 LIV.>CLD           | TUBE D-10 L.105 TC 2GR W307         | TUYAU D-10 L.105 TC 2GR W307       | ROHR D-10 L.105 TC 2GR W307     | TUB D-10 L105 2GR W307 NIV.>CAZ           |
| 6       | 44002 COPRILIVELLO VERNICIATO BIANCO                | LEVEL INDICATOR COVER PAINTED WHITE | COUVRE-NIVEAU LAQUE BLANC          | NIVEAUDECKEL                    | PROT.ALBA PT. INDIC. DE NIVEL             |
| 7       | 52005012 TBS.D-10 L.140 FM13 MCE 011 CALD> LIV.SUP. | TUBE D-10 L.140 FM13 MCE 011        | TUYAU D-10 L.140 FM13 MCE 011      | ROHR D-10 L.140 FM13 MCE 011    | TUB D-10 L.140 FM13 MCE 011 NIV.SUP>CAZAN |
| 8       | 52005001 TBS.D-10 L.135 FM2 MCE 011 CALD> LIV.SUP.  | TUBE D-10 L.135 FM2 MCE 011         | TUYAU D-10 L.135 FM2 MCE 011       | ROHR D-10 L.135 FM2 MCE 011     | TUB D-10 L.135 FM2 MCE 011 NIV.SUP>CAZAN  |
| 9       | 53002 CORPO LIVELLO SUPERIORE                       | UPPER LEVEL BODY                    | CORPS DE NIVEAU SUPERIEUR          | OBERNIVEAUKORPER                | CORP PT. NIVELUL SUPERIOR                 |
| 10      | 12200 GU GOMMA x LIVELLO 16x10x8 SMUSSATA           | SIGHT GLASS RUBBER GASKET 16X10X8   | JOINT CAOUTCHOU DE NIVEAU 16X10X8  | GUMMIDICHTUNG FR NIVEAU 16x10x8 | GARN. DIN CAUCIUC PT.TUBUL DE NIV.        |
| 11      | 25652 RONDELLA OTTONE D17.8                         | BRASS WASHER D.17.8                 | RONDELLE LAITON D.17.8             | MESSING-SCHIEBE D.17.8          | SAIBA DIN ALAMA D 17.8                    |
| 12      | 25383 DADO OTTONE M20x1.5                           | BRASS NUT 20x1.5                    | ECROU LAITON 20x1.5                | MESSING-MUTTER 20x1.5           | PIULTA DIN ALAMA M20x1.5                  |
| 13      | 21300 TUBO VETRO PIREX LIVELLO 11x8x170             | GLASS LEVEL TUBE 11X8X170           | TUBE NIVEAU EN VERRE 11X8X170      | NIVEAU GLASROHR 11x8x170        | TUB PT. NIVEL DIN STICLA 11x8x170         |
| 14      | 56001 ASSIEME TUBO LIVELLO                          | LEVEL TUBE UNIT                     | ENSEMBLE TUBE DE NIVEAU            | ROHRSATZ FUR NIVEAU             | ANSAMBLU TUB NIVEL                        |
| 15      | 12153 GU CU 1/4 17x13.3x1.5                         | 1/4 17x13.3x1.5 COPPER SEAL         | JOINT CUIVRE 1/4 17x13.3x1.5       | KUPFERDICHTUNG 1/4 17x13.3x1.5  | GARN. DIN CUPRU 1/4 17x13.3x1.5           |
| 16      | 25780 TAPPO MASCHIO OTTONE 1/4                      | BRASS MALE CAP 1/4                  | BOUCHON MALE LAITON 1/4            | MESSING-STOPFEN 1/4             | DOP DIN ALAMA PT. MASC. 1/4               |
| 17      | 53001 CORPO LIVELLO INFERIORE                       | LOWER LEVEL CONNECTOR               | CORPS DE NIVEAU INFERIEUR          | UNTERNIVEAUKORPER               | CORP PT. NIVELUL INFERIOR                 |



| Pos. Cod | Denominazione - IT -                          | Denomination - GB -                   | Denomination - FR -                     | Denomination - DE -                    | Denumire - RO -                           |
|----------|---|---------------------------------------|---|--|---|
| 1        | 15271 MANOPOLA INT.GEN.BREMAS CMA/WE          | MAIN SWITCH HAND GRIP                 | MANETTE INTERR. GENERAL                 | HAUPTSCHALTERGRIF                      | INTRERUPATOR GENERAL BREMAS CMA/WE        |
| 2        | 29067 ET.AD.'1-0-2'NERO PLASTICO 58x58        | PLASTIC ADHESIVE PLATE 1-0-2 58x58    | PLAQUETTE ADHESIVE 1-0-2 58x58          | KLEBESCHILD 1-0-2 58x58                | ET.ADEZIVA DIN PLASTIC NEAGRA 1-0-2 58x58 |
| 3        | 18104 COMMUTATORE BREMAS A20.12 CS0177412     | COMMUTATOR BREMAS A20.12              | COMMUTATEUR BREMAS A20.12               | UMSCHLATER BREMAS A20.12               | COMUTATOR BREMAS A20.12                   |
| 3        | 18105 COMMUTATORE BREMAS A32.12 CS0257412     | COMMUTATOR BREMAS A32.12              | COMMUTATEUR BREMAS A32.12               | UMSCHALTER BREMAS A32.12               | COMUTATOR BREMAS A32.12                   |
| 4        | 20150 PRESSOSTATO SECCO SIRAI P302/6          | SIRAI P302/6 DRY PRESSURE SWITCH      | PRESSOSTAT SEC SIRAI P302/6             | TROCKENDRUCKWOCHTER SIRAI P302/6       | PRESOSTAT SIRAI P302/6                    |
| 5        | 22944 COM.1-3GR 3F+N 18104 D2.5 NEOP.         | COM.1-3GR 3F+N 18104 D2.5 NEOP.       | CHANGER 1-3GR 3F+N 18104 D2.5 NEOP.     | WECHSELN 1-3GR 3F+N 18104 D2.5 NEOP.   | COM.1-3GR 3F+N 18104 D2.5 NEOP.           |
| 5        | 22945 COM.4GR 3F+N 18105 D4 NEOP.             | COM.4GR 3F+N 18105 D4 NEOP.           | CHANGER.4GR 3F+N 18105 D4 NEOP.         | WECHSELN 4GR 3F+N 18105 D4 NEOP.       | COM.4GR 3F+N 18105 D4 NEOP.               |
| 6        | 18080001 REG.LIV.RL30/T.O.220/240V 917500.00  | LEVEL CONTROL RL30 220/240V           | CONTROLE NIVEAU RL30 220/240V           | WASSERNIVEAUREGLER RL30 220/240V       | REG.NIVEL RL30/T.O.220/240V 917500.00     |
| 7        | 78200 SUPP.AEA RL30 x TUTTI I TELAI           | AWR BEARING RL30xALL MOD.FRAMES       | SUPP.REA RL30 POUR TOUS CHASSIS M       | OADW.F HALTER RL30xFUR ALLE MOD.RAHMEN | SUPORT PT. REG. DE NIVEL                  |
| 8        | 77691F PROT.CENTR.RL30 PER SUPP.78200         | RL30 GEARCASE PROTECTION              | PROTECTION RL30                         | SCHUTZGITTER RL30                      | PROTECTIE PT. SUPORTUL M78200             |
| 9        | 19101 FUSIBILE 5x20 2A SF520220 OMEGA         | FUSE OMEGA 5x20 2A                    | FUSIBLE OMEGA 5x20 2A                   | SCHMELZSICH.OMEGA 5x20 2A              | SIGURANTA 5x20 2A SF520220 OMEGA          |
| 10       | 19122 PORTAFUSIBILE P2300 10A 250V OMEGA      | FUSE HOLDER 6.3A 250V                 | PORTE-FUSIBLE 6.3A 250V                 | SICHERUNGSHALTER 6.3A 250V             | SUP.PT.SIGURANTA P2300 10A 250V OMEGA     |
| 11       | 227701 CABL.AEP/1 + JUNIOR NEW                | AEP/1 + JUNIOR NEW WIRING             | CABLAGE AEP/1 + JUNIOR NEW              | VERKABELUNG AEP/1 + JUNIOR NEW         | CABLU AEP/1+JUNIOR NOU                    |
| 11       | 227702 CABL.AEP/2 NEW                         | AEP/2 + JUNIOR NEW WIRING             | CABLAGE AEP/2 + JUNIOR NEW              | VERKABELUNG AEP/2 + JUNIOR NEW         | CABLU AEP/2 NOU                           |
| 11       | 227703 CABL.AEP/3 NEW                         | AEP/3 + JUNIOR NEW WIRING             | CABLAGE AEP/3 + JUNIOR NEW              | VERKABELUNG AEP/3 + JUNIOR NEW         | CABLU AEP/3 NOU                           |
| 12       | 21011 LAMPA.SPIA VERDE 220V 332247030T        | 220V GREEN INDICATOR LIG              | AMPOULE TEMOIN VERT 220V                | KONTROLLEUCHTE GRN 220V                | LED VERDE 220V 332247030T                 |
| 13       | 227181 CABL.PROLUNGA LAMPADINA                | WIRING FOR LAMP                       | CABLE PROLONGE LAMPE                    | VERDRAHTUNG LAMPE                      | CABLU PRELUNGIRE LED                      |
| 14       | 22051 CAVO FILO TERRA FT4 BM4+10101 L275      | EARTH WIRE CABLE FT4 BM4+10101 L2     | CABLE FIL TERRE FT4 BM4+10101 L27       | 5ERDE KABEL FT4 BM4+10101 L275         | CABL.PT.IMPAMANTARE FT4 BM4+10101 L27     |
| 15       | 22858 CABL.AEA 1>4GR ER NEW LUCIFER           | CABLE A.W.R. 1-4GR                    | CABLAGE R.E.A. 1-4GR                    | VERDRAHTUNG A.W.F.1-4GR                | CABLU ELECTRIC 1>4GR ER NOU LUCIFER       |
| 16       | 22717301 CABL.ALIM.MOT.RPM 120W NORMALE       | CABLE SUPPLY MOTOR RPM 120W           | CABLE ALIMENTER MOTEUR RPM 120W         | KABEL DER FÜHREN MOTOR RPM 120W        | CABLU DE ALIM.MOTOR 120W NORMAL           |
| 17       | 227173 CABL.ALIMENTAZIONE M.I. NORMALE        | CABLE SUPPLY M.I.                     | CABLE ALIMENTER M.I.                    | KABEL DER FÜHREN M.I.                  | CABLU ALIMENTARE M.I. NORMAL              |
| 18       | 21024 LED D5 COL.ROSSO                        | RED LED D.5                           | LED ROUGE D.5                           | ROTES LED D.5                          | LED D5 ROSU                               |
| 19       | 22625001 CAVO 1/2GR RL30/TIMEOUT SENZA LED    | 1/2 CABLE TIMEOUT UNIT EXCEPT LED     | CABLE 1/2 GR. RL30/TIMEOUT LED          | KABEL 1/2GR. RL30/TIMEOUT OHNE LED     | CABLU 1/2GR RL30/TIMEOUT FARA LED         |
| 20       | 22625 CAVO 1/2GR RL30/TIMEOUT CON LED         | 1/2 CABLE TIMEOUT UNIT WITH LED       | CABLE 1/2 GR. RL30/TIMEOUT LED          | KABEL 1/2GR. RL30/TIMEOUT MIT LED      | CABLU 1/2GR RL30/TIMEOUT CU LED           |
| 20       | 22626 CAVO 3/4GR RL30/TIMEOUT CON LED         | 3/4 CABLE TIMEOUT UNIT WITH LED       | CABLE 3/4 GR. RL30/TIMEOUT LED          | KABEL 3/4GR. RL30/TIMEOUT MIT LED      | CABLU 3/4GR RL30/TIMEOUT CU LED           |
| 21       | 22415 CAVO RIP.PFF06-6/BF-U4 D2,5 L.540       | CABLE.RIP.PFF06-6/BF-U4 D2,5          | CABLAGE RIP.PFF06-6/BF-U4 D2,5          | KABEL RIP.PFF06-6/BF-U4 D2,5 L.540     | CABLU RIP.PFF06-6/BF-U4 D2,5 L.540        |
| 21       | 22420 CAVO RIT.PFF1-6/GF-U4 D4 L.540          | CABLE RIT.PFF1-6/GF-U4 D4 L.540       | CABLAGE RIT.PFF1-6/GF-U4 D4 L.540       | KABEL RIT.PFF1-6/GF-U4 D4 L.540        | CABLU RIT.PFF1-6/GF-U4 D4 L.540           |
| 22       | 22400503 CAVO RIT.PFF06-6/BF-U4 D2.5 L.250    | CABLE.PFF06-6/BF-U4 D2.5 L.250        | CABLAGE PFF06-6/BF-U4 D2.5 L.250        | KABEL PFF06-6/BF-U4 D2.5 L.250         | CABLU PFF06-6/BF-U4 D2.5 L.250            |
| 22       | 22400504 CAVO RIT.SILIC.4mmq L.250 FF6.3 C/F4 | CABLE RIT.SILIC.4mmq L.250 FF6.3 C/F4 | CABLAGE RIT.SILIC.4mmq L.250 FF6.3 C/F4 | KABEL RIT.SILIC.4mmq L.250 FF6.3 C/F4  | CABLU RIT.SILIC.4mmq L.250 FF6.3 C/F4     |
| 23       | 20300015 TERMOSTATO EGO 169 C 55.32532.020    | THERMOSTAT 169 C55.32532.020          | THERMOSTAT 169 C55.32532.020            | TERMOSTAT 163 C55.32532.020            | TERMOSTAT 163 C55.32532.020               |
| 24       | 77699003 SCATOLA TERMOSTATO EGO MCE           | BOX THERMOSTAT MCE                    | BOITE THERMOSTAT MCE                    | SCHACHTEL TERMOSTAT MCE                | CUTIE PT. TERMOSTAT MCE                   |

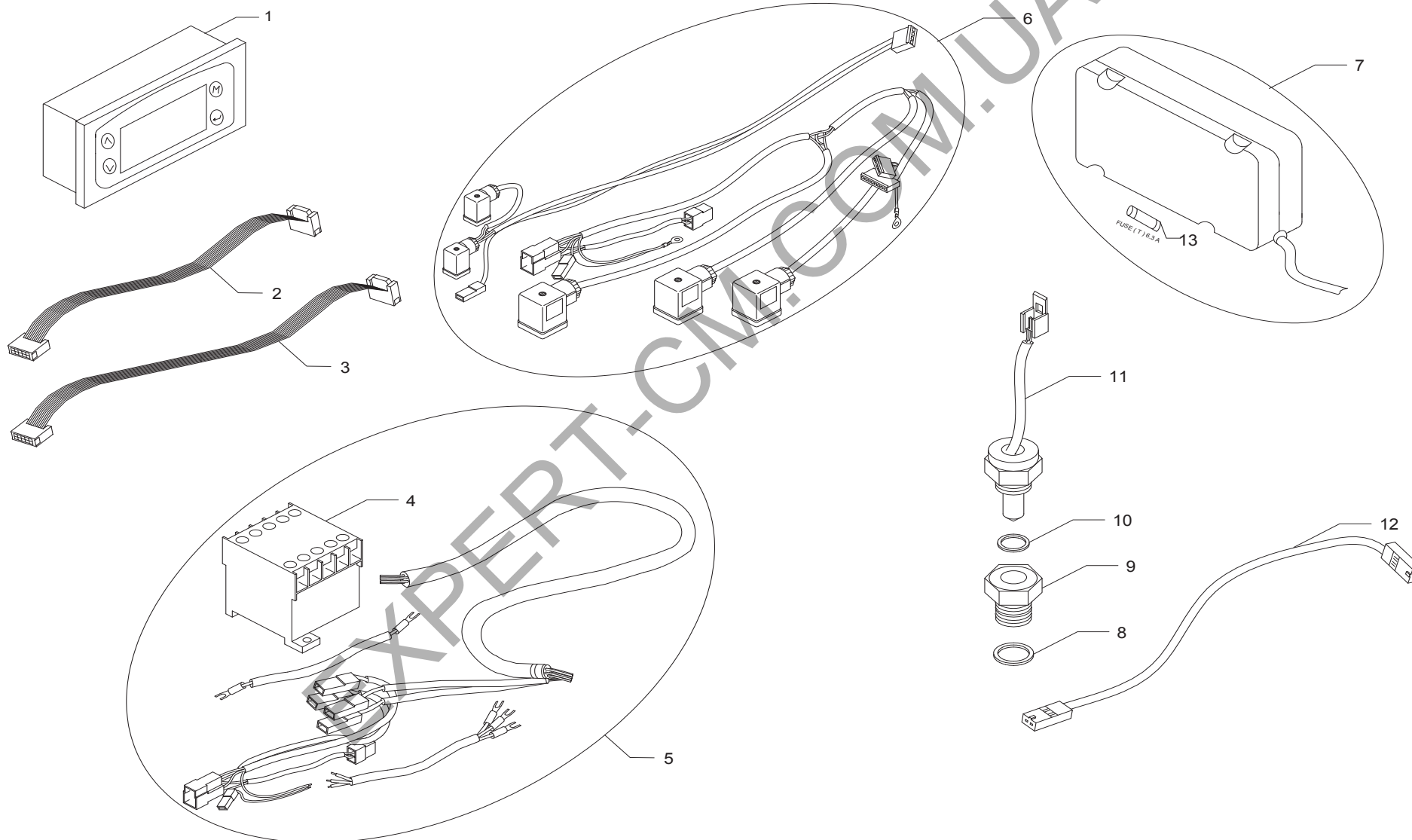


| Pos. | Cod      | Denominazione - IT -                  | Denomination - GB -                | Denomination - FR -              | Denomination - DE                | Denumire - RO -                   |
|------|----------|---------------------------------------|------------------------------------|----------------------------------|----------------------------------|-----------------------------------|
| 1    | 18359101 | PULSANTIERA CAPACITIVA 4T x TC BIANCO | TOUCH PAD 4T xTC WHITE             | CLAVIER A TOUCHES 4T xTC BLANC   | DRUCKNOPFTAFEL 4T xTC WEIß       | TASTATURA CAPACITIVA 4T xTC ALBA  |
| 2    | 18088004 | CENTR.BASE+THE 1-2GR 230V x TC        | CONTROL UNIT+TEA 1-2GR 230V x TC   | CENTR.+THE 1-2GR 230V x TC       | EINHEIT+TEE 1-2GR 230V x TC      | PROCESOR+CEAI 1-2GR 230V x TC     |
| 2    | 18088005 | CENTR.BASE+THE 3-4GR 230V x TC        | CONTROL UNIT+TEA 3-4 GR 230V x TC  | CENTR.+THE 3-4GR 230V x TC       | EINHEIT+TEE 3-4GR 230V x TC      | PROCESOR+CEAI 3-4GR 230V x TC     |
| 3    | 22628100 | CAVO PULSANTIERA CAP.xTC 8 POLI 50CM  | 50 CM CONNECTOR FOR P.BUTTON PANEL | CABLEAGE CLAVIER 50 CM           | KABEL BEDIENBL 50 CM             | CABLU PT. PULSAT. 50 CM           |
| 4    | 22628101 | CAVO PULSANTIERA CAP.xTC 8 POLI 70CM  | 70 CM CONNECTOR FOR P.BUTTON PANEL | CABLEAGE CLAVIER 70 CM           | KABEL BEDIENBL 70 CM             | CABLU PT. PULSAT. 70 CM           |
| 5    | 15486016 | TAPPO TERMINALE x TC                  | END CAP x TC                       | CEEMNBTORU.T 1x-2TCGR 230V       | DECKEL x TC                      | CAPAC TERMINAL x TC               |
| 6    | 22874006 | CABL.SAE/1+THE MONTEL x TC            | SAE/1+TEA CABLE MONTELxTC          | CABLEAGE SAE/1+THE MONTELxTC     | KABEL SAE/1+TEE MONTELxTC        | CABLU SAE/1+CEAI                  |
| 6    | 22874007 | CABL.SAE/2+THE MONTELxTC              | SAE/2+TEA CABLE MONTELxTC          | CABLEAGE SAE/2+THE MONTELxTC     | KABEL SAE/2+TEE MONTELxTC        | CABLU SAE/2+CEAI                  |
| 6    | 22874008 | CABL.SAE/3+THE MONTEL Xtc             | SAE/3+TEA CABLE MONTELxTC          | CABLEAGE SAE/3+THE MONTELxTC     | KABEL SAE/3+TEE MONTELxTC        | CABLU SAE/3+CEAI                  |
| 7    | 22719014 | CABL.THE ESPRESSIMO                   | CABLE THE                          | CABLAGE THE                      | VERKABELUNG THE                  | CABLU CEAI ESPRESSIMO             |
| 8    | 19103    | FUSIBILE 5x20 6.3A ST520263 OMEGA     | FUSE 5x20 6.3A ST520263 OMEGA      | FUSIBLE 5x20 6.3A ST520263 OMEGA | SCHMELZSICH.OMAGEA 5x20 ST520263 | FUZIBIL 5x20 6.3A ST520263 OMEGA. |

EXPERT-CM.COM



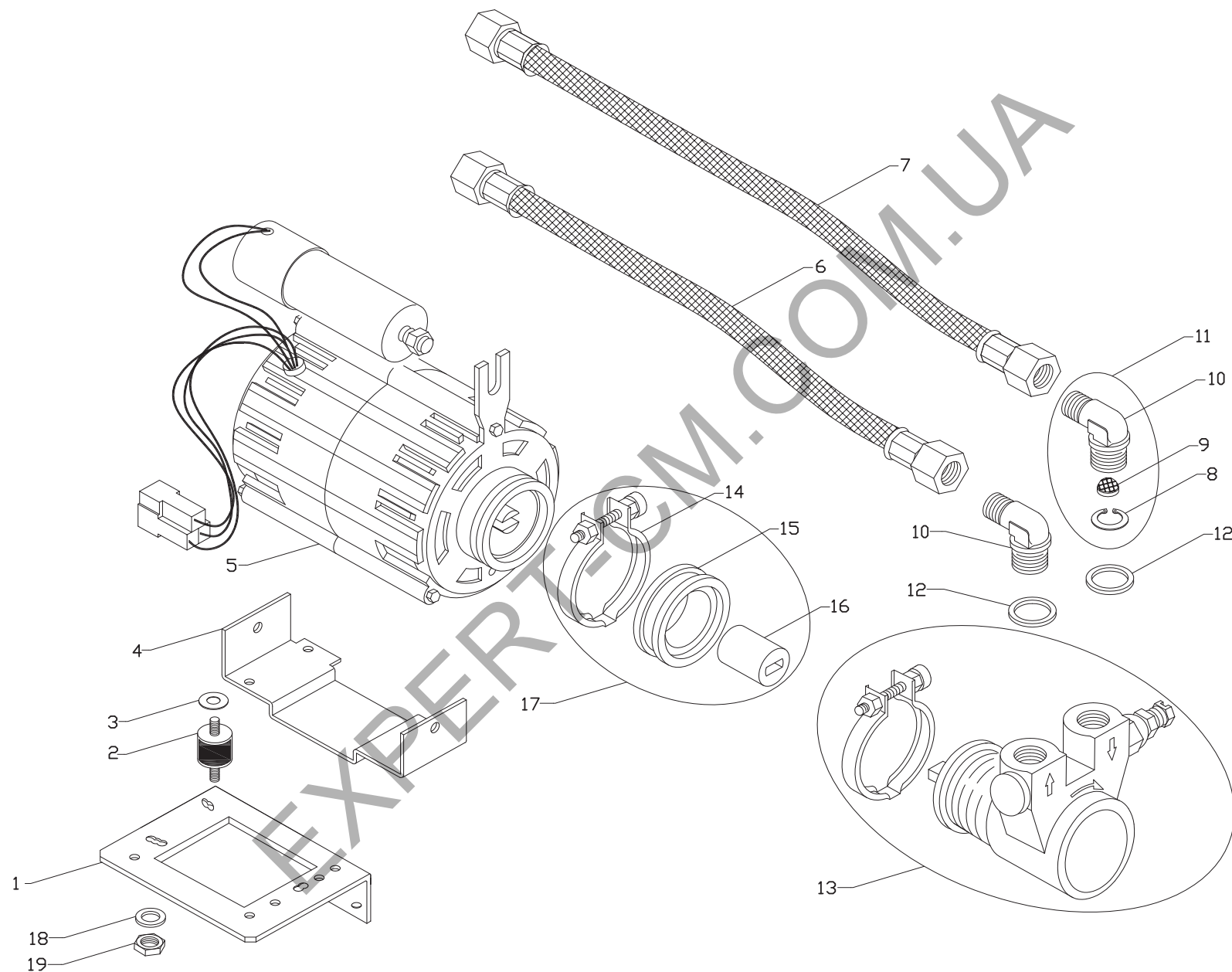




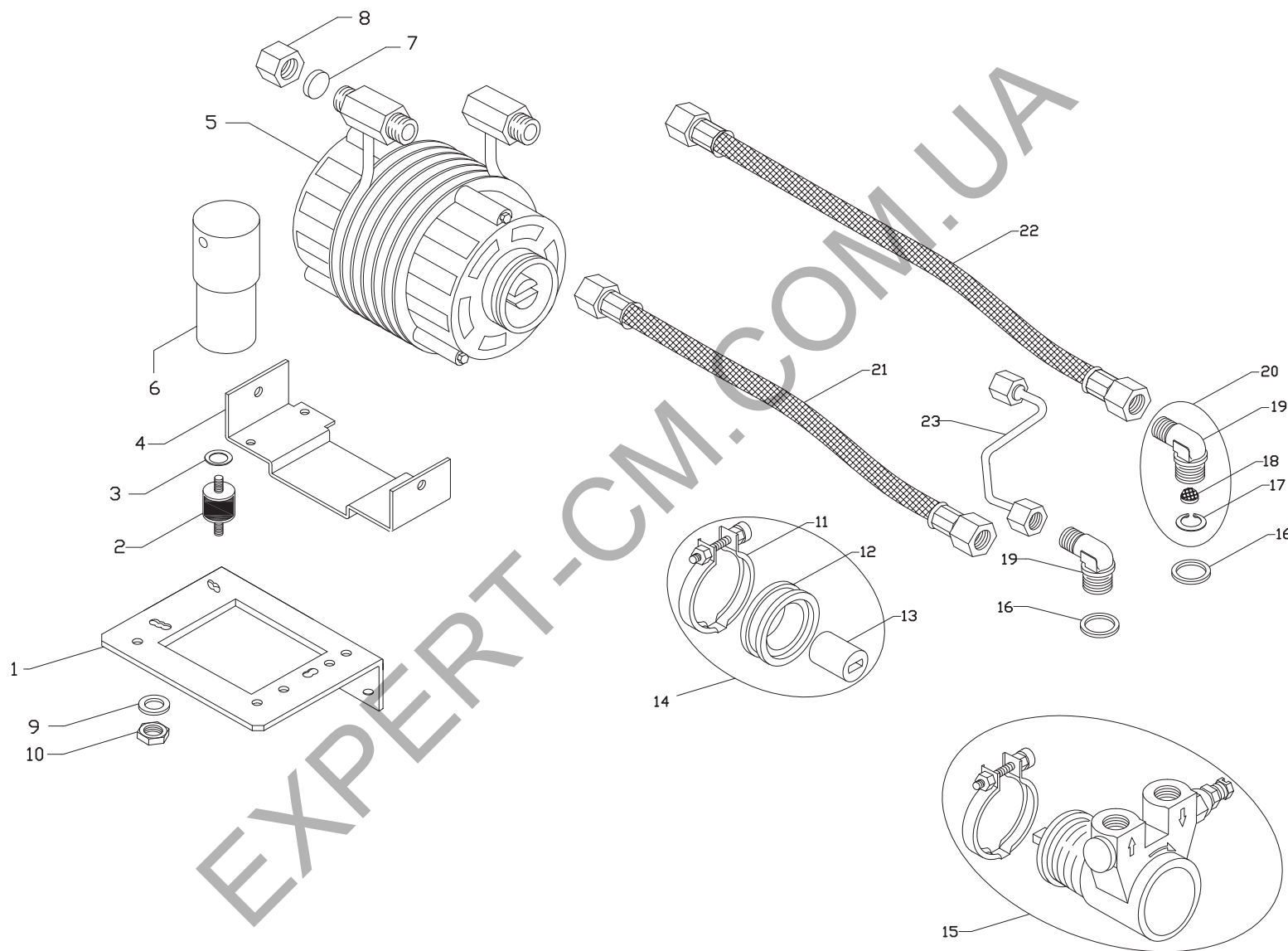
| Pos. Cod | Denominazione - IT -                           | Denomination - GB -                   | Denomination - FR -                   | Denomination - DE -                  | Denumire - RO -                      |
|----------|--|---------------------------------------|---------------------------------------|--------------------------------------|--------------------------------------|
| 1        | 18088013 MODULO DISPLAY BIANCO x TC            | DISPLAY WHITE xTC                     | DISPLAY BLANC xTC                     | DISPLAY WEIß xTC                     | DISPLAY ALB xTC                      |
| 2        | 22628100 CAVO PULASNTIERA CAP.xTC 8 POLI 50CM  | 50CM CONNECTOR FOR P.BUTTON PANEL     | CABLEAGE CLAVIER 50 CM                | KABEL BEDIENBL 50 CM                 | CABLU PT.PULSATIERA 50 CM            |
| 3        | 22628101 CAVO PULASNTIERA CAP.xTC 8 POLI 70CM  | 70CM CONNECTOR FOR P.BUTTON PANEL     | CABLEAGE CLAVIER 70 CM                | KABEL BEDIENBL 70 CM                 | CABLU PT.PULSATIERA 70 CM            |
| 4        | 20299005 TELERUTTORE ABB A9-40-00 25A 230/240V | RELAY SWITCH 230/240V                 | TELERUPTEUR 230/240V                  | CONTROL SWITCH 230/240V              | RELEU 230/240V                       |
| 5        | 22629008 CABL.ALIMENTAZIONE 1-2GR.DISPLAY x TC | CABLE SUPPLY DISPLAYxTC 1-2GR         | CABLE ALIMENTATION 1-2GR DISPLAYxTC   | KABEL VERSORGUNG 1-2GR DISPLAYxTC    | CABLU PT.ALIMENTARE-DISPLAY 1-2      |
| 5        | 22629009 CABL.ALIMENTAZIONE 3GR.DISPLAY x TC   | CABLE SUPPLY DISPLAYxTC 3GR           | CABLE ALIMENTATION 3GR DISPLAYxTC     | KABEL VERSORGUNG 3GR DISPLAYxTC      | CABLU PT.ALIMENTARE-DISPLAY 3GR      |
| 6        | 22874009 CABL.SAE/1+THE DISPLAY MONTEL x TC    | SAE/1+TEA CABLE DISPLAY MONTELxTC     | CABLEAGE SAE/1+THE DISPLAY MONTELxTC  | KABEL SAE/1+TEE DISPLAY MONTELxTC    | CABLU PT.SAE/1+CEAI DISPLAY MONT.xTC |
| 6        | 22874010 CABL.SAE/2+THE DISPLAY MONTEL x TC    | SAE/2+TEA CABLE DISPLAY MONTELxTC     | CABLEAGE SAE/2+THE DISPLAY MONTELxTC  | KABEL SAE/2+TEE DISPLAY MONTELxTC    | CABLU PT.SAE/2+CEAI DISPLAY MONT.xTC |
| 6        | 22874011 CABL.SAE/3+THE DISPLAY MONTEL x TC    | SAE/3+TEA CABLE DISPLAY MONTELxTC     | CABLEAGE SAE/3+THE DISPLAY MONTEL xTC | KABEL SAE/3+TEE DISPLAY MONTELxTC    | CABLU PT.SAE/3+CEAI DISPLAY MONT.xTC |
| 7        | 18088006 CENTR.VERS.DISPLAY+THE 1-2GR 230V XTC | CONTROL UNIT DISPLAY+TEA 1-2 GR 230V  | CENTR. DISPLAY+THE 1-2 GR 230V        | EINHEIT DISPLAY+TEE 1-2 GR 230V      | PROCESOR DISPLAY+CEAI 1-2 GR 230V    |
| 7        | 18088007 CENTR.VERS.DISPLAY+THE 3-4GR 230V XTC | CONTROL UNIT DISPLAY+TEA 3-4 GR 230V  | CENTR. DISPLAY+THE 3-4 GR 230V        | EINHEIT DISPLAY+TEE 3-4 GR 230V      | PROCESOR DISPLAY+CEAI 3-4 GR 230V    |
| 8        | 12153 GUARNIZIONE CU 1/4 17x13.3x1.5           | 1/4 17x13.3x1.5 COPPER SEAL           | JOINT CUIVRE 1/4 17x13.3x1.5          | KUPFERDICHTUNG 1/4 17x13.3x1.5       | GARNITURA 1/4 17x13.3x1.5            |
| 9        | 25749000 RID.1/4M GAS - 1/8F GAS Ni            | REDUCTION GEAR 1/4M GAS - 1/8F GAS Ni | REDUCTEUR 1/4M GAS - 1/8F GAS Ni      | MINDERER 1/4M GAS - 1/8F GAS Ni      | RED.1/4M GAS - 1/8F GAS Ni           |
| 9        | 25749001 RID.3/8M GAS - 1/8F GAS Ni            | REDUCTION GEAR 3/8M GAS - 1/8F GAS Ni | REDUCTEUR 3/8M GAS - 1/8F GAS Ni      | MINDERER 3/8M GAS - 1/8F GAS Ni      | RED.3/8M GAS - 1/8F GAS Ni           |
| 10       | 12151 GUARNIZIONE CU DOSATORE 13x10.2x1.5      | CU GASKET FOR SALE DOSER 13x10.2x1.5  | JOINT CU DE DOSEUR SAE 13x10.2x1.5    | CU DICHTUNG FUR SAE DOS. 13x10.2x1.5 | GARNITURA 13x10.2x1.5                |
| 11       | 20306 TERMOSTATO SONDA NTC ES 13               | THERMOSTAT NTC ES 13                  | THERMOSTAT NTC ES 13                  | TERMOSTAT NTC ES 13                  | TERMOSTAT NTC ES 13                  |
| 12       | 22629007 CAVO SONDA TEMP.CALDAIA MONTEL x TC   | CABLE PROBE BOILER MONTELxTC          | CABLEAGE SONDE CHAUDIERE MONTELxTC    | KABEL SONDE KESSEL MONTELxTC         | CABLU PT.SONDA DE TEMP.CAZAN         |
| 13       | 19103 FUSIBILE 5x20 6.3A ST520263 OMEGA        | FUSE 5x20 6.3A ST520263 OMEGA         | FUSIBLE 5x20 6.3A ST520263 OMEGA      | SCHMELZSICH.OMAGEA 5x20 ST520263     | FUZIBIL 5x20 6.3A ST520263 OMEGA.    |

EXPERT-ONLINE.COM





| Pos.Cod | Denominazione - IT -                             | Denomination - GB -                  | Denomination - FR -                  | Denomination - DE -                     | Denumire - RO -                            |
|---------|--|--------------------------------------|--------------------------------------|---|--|
| 1       | 78167015 SUPP.MOTORE INC.1>4GR LAVAZZA           | MOTORPUMP BEARING INC.1>4GR LAVAZZA  | SUPP.MOTEURPOMPE INC.1>4GR LAVAZZA   | NORM.MOTORPUMPE INC.1>4GR LAVAZZA       | SUPORT PT. MOTOR INC.1>4GR LAVAZZA         |
| 2       | 15105 GOMMA AMMORTIZ.x MOTORE RAF.H2             | RUBBER FOR WATER COOLED MOTOR ZEC.   | CAOUTCH.POUR MOTEUR REFRROID.EAU ZEC | GUMMI x WASSERGEKHLTER MOTOR ZEC.       | GARN. CAUCIUC PT.AMORT.MOTOR               |
| 3       | 23265 RONDELLA GREMB. INOX 4x12 UNI              | INOX WASHER 4x12 UNI                 | RONDELLE INOX 4x12 UNI               | STHAL SCHEIBE 4x12 UNI                  | SAIBA INOX 4x12 UNI                        |
| 4       | 78174 SUPP.MOTORE INCORPORATO R.P.M.             | MOTOR BEAR. RPM                      | SUPPORT MOT. RPM                     | EINGEBAUTER MOTORHALTER RPM             | SUPORT PT. MOTOR INCORPORAT                |
| 5       | 18303 MOTORE R.P.M. 230V 120W                    | MOTOR R.P.M. 230V 120W               | MOTEUR R.P.M. 230V 120W              | MOTOR R.P.M. 230V 120W                  | MOTOR R.P.M. 230V 120W                     |
| 5       | 18303001 MOTORE R.P.M. 230V 150W                 | MOTOR R.P.M. 230V 150W               | MOTEUR R.P.M. 230V 150W              | MOTOR R.P.M. 230V 150W                  | MOTOR R.P.M. 230V 150W                     |
| 6       | 30404 TUBOFLEX 3/8 FF P.GOMMA L45 Ni             | FLEX PIPE 3/8 L45 CONICAL            | TUYAU FLEX 3/8 FF L45 PORTE-TUYAU    | SCHLAUCH 3/8 AUFNAHMETR L45 GUMMI KONI  | TUB FLEXIBIL DIN CAUCIUC 3/8 FF ,L45       |
| 7       | 30408 TUBOFLEX 3/8FF P.GOMMA L150 Ni             | FLEX PIPE 3/8 L150                   | TUYAU FLEX 3/8 FF L150 PORTE-TUYAU   | SCHLAUCH 3/8 AUFNAHMETR L150 GUMMI KONI | TUB FLEXIBIL 3/8FF L150 Ni.                |
| 8       | 10005 ANELLO DI ARRESTO IN.DIN472 D11            | DIN472 D11 STAINLESS STEEL STOP RING | ANNEAU DE BUTEE INOX DIN472 D11      | DRAHTSPRENGRING ROSTFREI DIN472 D11     | INEL DIN INOX DE OPRIRE DIN472 D11         |
| 9       | 10254 FILTRO ACCIAIO 160-200 MESH                | STEEL FILTER 160-200 MESH            | FILTRE EN ACIER 160-200 MESH         | STAHLFILTER 160-200 MESH                | FILTRU DIN OTEL 160-200 MESH               |
| 10      | 43052 RACCORDO "L" 3/8                           | CONNECTOR 'L' 3/8                    | RACCORD 'L' 3/8                      | ANSCHLUSS 'L' 3/8                       | RACORD "L" 3/8.                            |
| 11      | 56116001 RACCORDO GOMITO 3/8+3/8 MOTOPOMPA ASSIE | CONNECTOR 3/8+3/8 PUMP ASSEMBLY      | RACCORD 3/8 + 3/8 ENS. MOTO POMPE    | ANSCHLUSS 3/8 + 3/8 MOTORP. ZUSAMMEN    | RACORD ANSAMBLU MOTO POMPA 3/8+3/8         |
| 12      | 12101 GUARNIZIONE CU/ALIM 3/8 22x17x3            | 3/8 22x17x3 FEEDER/COPPER SEAL       | JOINT CUIVRE/ALIM 3/8 22x17x3        | KUPFERDICHTUNG/SPEIS. 3/8 22x17x3       | GARNITURA DIN CUPRU PT.ALIMENTARE 3/8 22X1 |
| 13      | 26303001 POMPA FLUID-O-TECH PA 104 NFS 3/8G      | PUMP FLUID-O-TECH PO 104 NSF 3/8G    | POMPE FLUID-O-TECH PO104 NFS 3/8G    | PUMPE FLUID-O-TECH PO 104 NFS 3/8G      | POMPA FLUID-O-TECH PA 104 NFS 3/8G         |
| 14      | 26310003 FASCETTA GIUNZIONE POMPA MOTORE         | CLAMP MOTOR-PUMP                     | BANDE MOTEUR-POMPE                   | SCHELLE MOTOR-PUMPE                     | BANDA PT.LEGAREA POMPEI LA MOT.            |
| 15      | 15006010 DISTANZIALE POMPA MOTORE RPM            | SPACING BAR RPM MOTOR PUMP           | ENTRETOISE POMPE                     | DISTANZSTUECK MOTOR-PUMPE               | DISTANTATOR DINTRE MOTOR-POMPA             |
| 16      | 15006011 GIUNTO POMPA MOTORE RPM                 | RPM MOTOR PUMP JOINT                 | JOINT DE POMPE                       | KUPPLUNG PUMPE-MOTOR                    | LEGATURA DINTRE MOTOR-POMPA                |
| 17      | 83260016R KIT DISACCOPIAMENTO MOTORE-POMPA       | KIT COUPLING MOTOR-PUMP              | ENSEMBLE DECOUPLAGE MOTEUR POMPE     | KIT MOTOR-PUMPE KUPPLUNG                | KIT PT.DESPARTIRE MOTOR - POMPA            |
| 18      | 23261 RONDELLA INOX DENTELLATA D4                | INOX WASHER D4                       | RONDELLE INOX D4                     | STHAL SCHEIBE D4                        | SAIBA ZIMTATA D4                           |
| 19      | 23030 DADO INOX M4 UNI 5587                      | NUT S.STEEL M4 UNI 5587              | ECROU INOX M4 UNI 5587 A2            | SCHRAUBENMUTTER INOX M4 UNI 5587 A2     | PIULITA DIN INOX M4 UNI 5587 A2            |



| Pos. Cod | Denominazione - IT -                             | Denomination - GB -                  | Denomination - FR -                  | Denomination - DE -                     | Denumire - RO -                            |
|----------|--|--------------------------------------|--------------------------------------|---|--|
| 1        | 78167015 SUPP.MOTORE INC.1>4GR LAVAZZA           | MOTORPUMP BEARING INC.1>4GR LAVAZZA  | SUPP.MOTEURPOMPE INC.1>4GR LAVAZZA   | NORM.MOTORPUMPE INC.1>4GR LAVAZZA       | SUPORT PT. MOTOR INC.1>4GR LAVAZZA         |
| 2        | 15105 GOMMA AMMORTIZ.x MOTORE RAF.H2             | RUBBER FOR WATER COOLED MOTOR ZEC.   | CAOUTCH.POUR MOTEUR REFRROID.EAU ZEC | .GUMMI x WASSERGEKHLTER MOTOR ZEC.      | GARN. CAUCIUC PT.AMORT.MOTOR               |
| 3        | 23265 RONDELLA GREMB. INOX 4x12 UNI              | INOX WASHER 4x12 UNI                 | RONDELLE INOX 4x12 UNI               | STHAL SCHEIBE 4x12 UNI                  | SAIBA INOX 4x12 UNI                        |
| 4        | 78174 SUPP.MOTORE INCORPORATO R.P.M.             | MOTOR BEAR. RPM                      | SUPPORT MOT. RPM                     | EINGEBAUTER MOTORHALTER RPM             | SUPORT PT. MOTOR INCORPORAT                |
| 5        | 56406 MOTORE RPM NI 230V 50/60HZ H2O ASS         | MOTOR RPM 230V 50/60HZ H2O           | MOTEUR RPM 230V 50/60HZ H2O          | MOTOR RPM 230V 50/60HZ H2O              | MOTOR RPM 230V 50/60HZ H2O                 |
| 6        | 19062001 CONDENSATORE MOTORE 230V 7UF            | MOTOR CAPACITOR 230V 7UF             | CONDENSATEUR MOTEUR 230V 7UF         | KONDENSATOR MOTOR 230V 7UF              | CONDENSATOR MOTOR 230V 7UF                 |
| 7        | 12007 GUARNIZIONE KLINGERSIL4400                 | KLINGERSIL4400 SEAL JOINT            | KLINGERSIL4400 POUR BOUCHON          | DICHTUNG KLINGER SIL4400 X DECKEL       | GARNITURA KLINGERSIL 4400                  |
| 8        | 25782 TAPPO FEMMINA 1/4 GAS                      | 1/4 GAS FEMALE TAP                   | BOUCHON FEMELLE 1/4 GAZ              | INNENANSCHLUSSSTÖPSEL 1/4 GAS           | DOP FEMEIE 1/4 GAZ                         |
| 9        | 23261 RONDELLA INOX DENTELLATA D4                | INOX WASHER D4                       | RONDELLE INOX D4                     | STHAL SCHEIBE D4                        | SAIBA ZIMTATA D4                           |
| 10       | 23030 DADO INOX M4 UNI 5587                      | NUT S.STEEL M4 UNI 5587              | ECROU INOX M4 UNI 5587 A2            | SCHRAUBENMUTTER INOX M4 UNI 5587 A2     | PIULITA DIN INOX M4 UNI 5587 A2            |
| 11       | 26310003 FASCETTA GIUNZIONE MOTORE-POMPA         | CLAMP MOTOR-PUMP                     | BANDE MOTEUR-POMPE                   | SHELLE MOTOR-PUMPE                      | BANDA PT. LEGAREA POMPEI LA MOT.           |
| 12       | 15006010 DISTANZIALE POMPA MOTORE RPM            | SPACING BAR RPM MOTOR PUMP           | ENTRETOISE POMPE                     | DISTANZSTUECK MOTOR-PUMPE               | DISTANTATOR DINTRE MOTOR-POMPA             |
| 13       | 15006011 GIUNTO POMPA MOTORE RPM                 | RPM MOTOR PUMP JOINT                 | JOINT DE POMPE                       | KUPPLUNG PUMPE-MOTOR                    | LEGATURA DINTRE MOTOR-POMPA                |
| 14       | 83260016R KIT DISACCOPIAMENTO MOTORE-POMPA       | KIT COUPLING MOTOR-PUMP              | ENSEMBLE DECOUPLAGE MOTEUR POMPE     | KIT MOTOR-PUMPE KUPPLUNG                | KIT PT.DESPARTIRE MOTOR - POMPA            |
| 15       | 26303001 POMPA FLUID-O-TECH PA 104 NFS 3/8G      | PUMP FLUID-O-TECH PO 104 NSF 3/8G    | POMPE FLUID-O-TECH PO104 NFS 3/8G    | PUMPE FLUID-O-TECH PO 104 NFS 3/8G      | POMPA FLUID-O-TECH PA 104 NFS 3/8G         |
| 16       | 12101 GUARNIZIONE CU/ALIM 3/8 22x17x3            | 3/8 22x17x3 FEEDER/COPPER SEAL       | JOINT CUIVRE/ALIM 3/8 22x17x3        | KUPFERDICHTUNG/SPEIS. 3/8 22x17x3       | GARNITURA DIN CUPRU PT.ALIMENTARE 3/8 22X1 |
| 17       | 10005 ANELLO DI ARRESTO INOX DIN472 D11          | DIN472 D11 STAINLESS STEEL STOP RING | ANNEAU DE BUTEE INOX DIN472 D11      | DRAHTSPRENGRING ROSTFREI DIN472 D11     | INEL DIN INOX DE OPRIRE DIN 472 D11        |
| 18       | 10254 FILTRO ACCIAIO 160-200 MESH                | STEEL FILTER 160-200 MESH            | FILTRE EN ACIER 160-200 MESH         | STAHLFILTER 160-200 MESH                | FILTRU DIN OTEL 160-200 MESH               |
| 19       | 43052 RACCORDO "L" 3/8                           | CONNECTOR 'L' 3/8                    | RACCORD 'L' 3/8                      | ANSCHLUSS 'L' 3/8                       | RACORD "L" 3/8.                            |
| 20       | 56116001 RACCORDO GOMITO 3/8+3/8 MOTOPOMPA ASSIE | CONNECTOR 3/8+3/8 PUMP ASSEMBLY      | RACCORD 3/8 + 3/8 ENS. MOTOPOMPE     | ANSCHLUSS 3/8 + 3/8 MOTORP. ZUSAMMEN    | RACORD ANSAMBLU MOTOPOMPA 3/8+3/8          |
| 21       | 30404 TUBOFLEX 3/8 FF P.GOMMA L45 Ni             | FLEX PIPE 3/8 L45 CONICAL            | TUYAU FLEX 3/8 FF L45 PORTE-TUYAU    | SCHLAUCH 3/8 AUFNAHMETR L45 GUMMI KONI  | TUB FLEXIBIL DIN CAUCIUC 3/8 FF ,L45       |
| 22       | 30408 TUBOFLEX 3/8FF P.GOMMA L150 NI             | FLEX PIPE 3/8 L150                   | TUYAU FLEX 3/8 FF L150 PORTE-TUYAU   | SCHLAUCH 3/8 AUFNAHMETR L150 GUMMI KONI | TUB FLEXIBIL 3/8FF L150 Ni.                |
| 23       | 52005013 TUBO D-6 L.125 FM14                     | TUBE D-6 L.125 FM14                  | TUYAU D-6 L.125 FM14                 | ROHR D-6 L.125 FM14                     | TUB D-6 L.125 FM14                         |