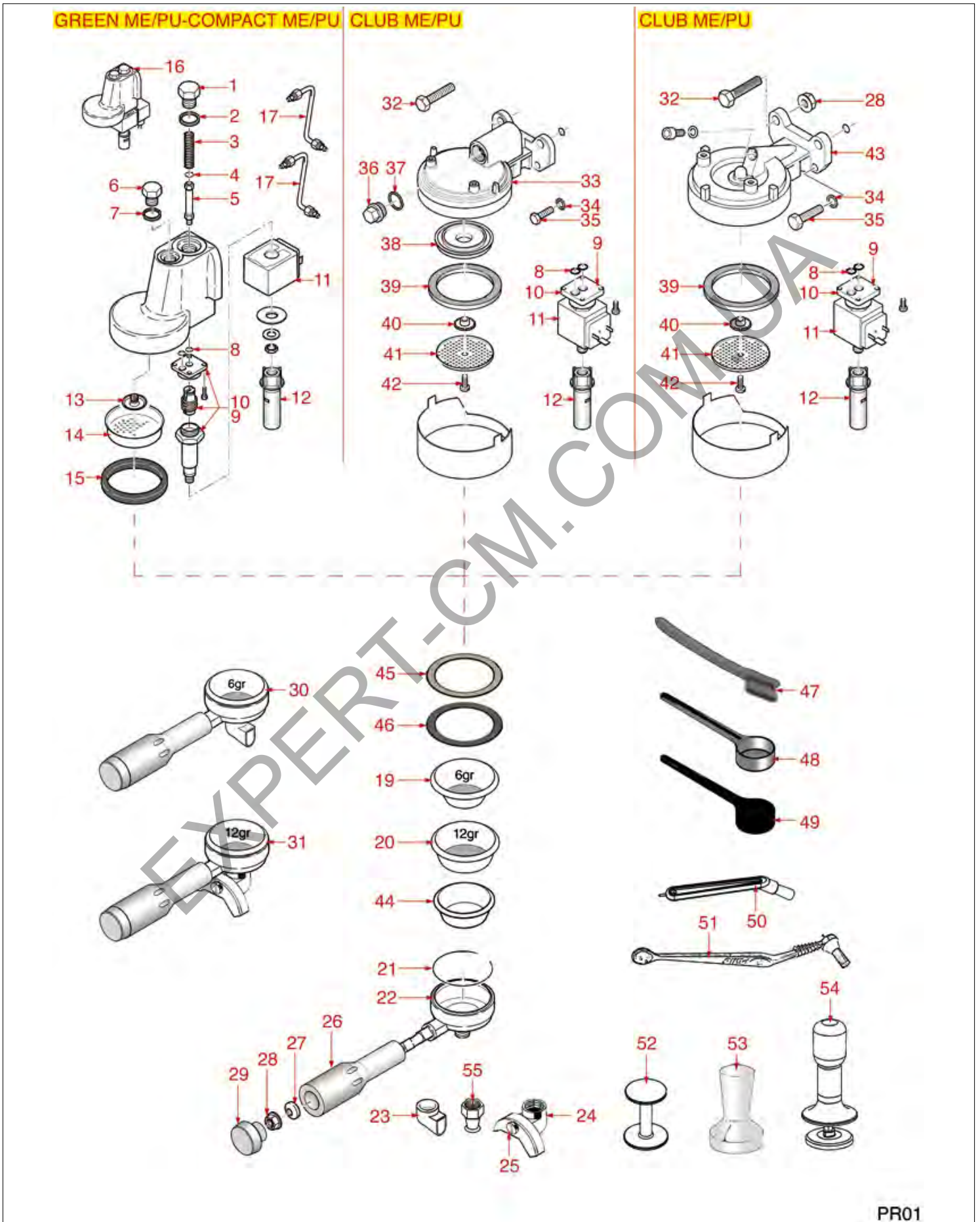




BREW GROUPS GREEN-COMPACT-CLUB





PROMAC

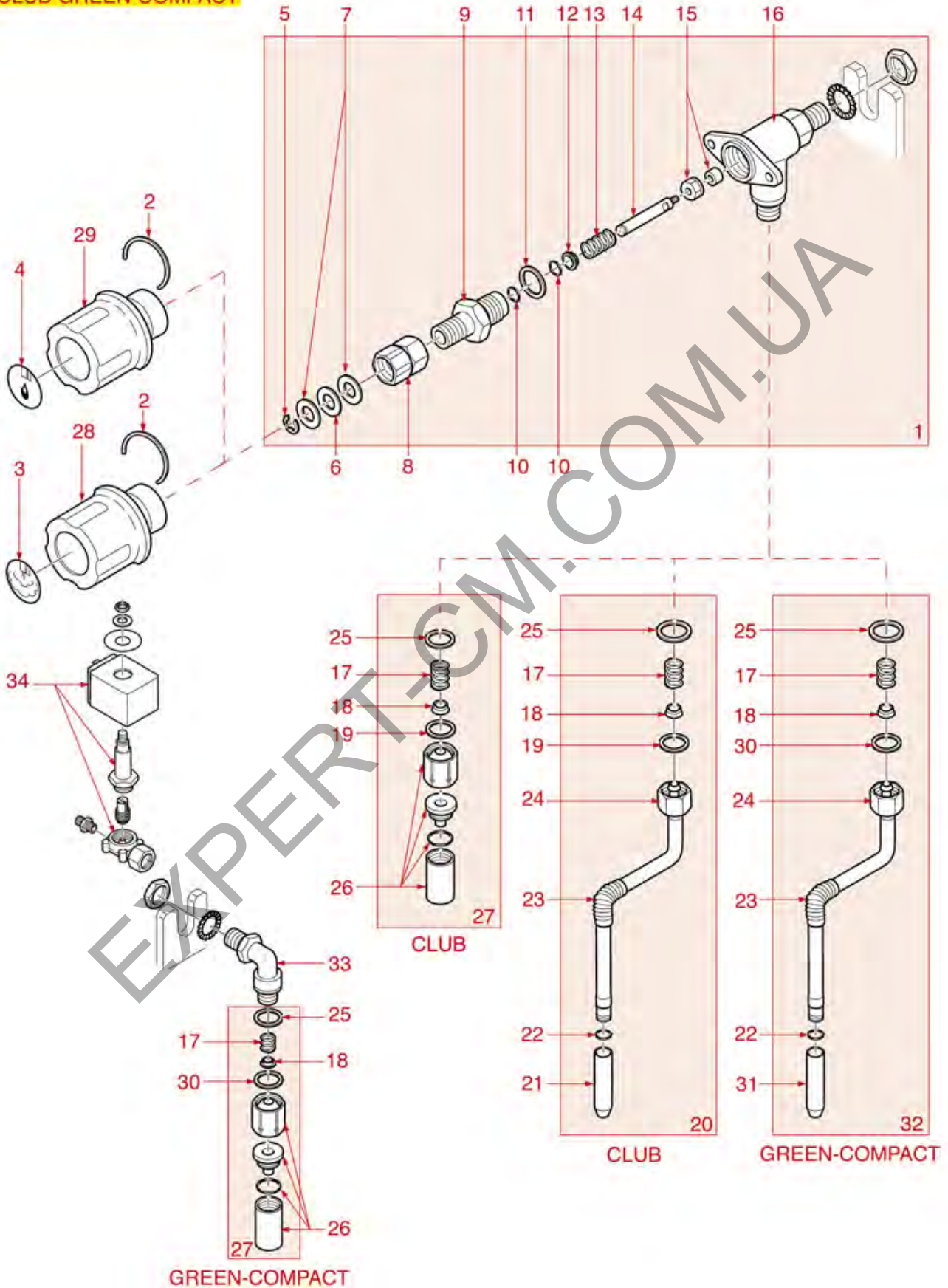


Position	LF code no.	Description
2	1186620	COPPER FLAT GASKET \varnothing 22x17x1.5 mm
3	1250225	SPRING \varnothing 7x27 mm WITH NOZZLE AND FILTER
4	1186421	O-RING 02018 EPDM
5	1324117	INJECTOR PIN
7	1186792	COPPER FLAT GASKET \varnothing 16x12x2 mm
8	1186612	O-RING 02025 VITON
9	1120101	3-WAY SOLENOID VALVE PARKER 115V 50/60Hz
9	1120102	3-WAY SOLENOID VALVE LUCIFER 115V 60Hz
9	1120330	3-WAY SOLENOID VALVE LUCIFER 240V 50Hz
9	1120335	3-WAY SOLENOID VALVE PARKER 230V 50/60Hz
10	1120334	3-WAY MECHANICAL COMPONENT LUCIFER
10	1120339	3-WAY MECHANICAL COMPONENT PARKER
11	1120332	COIL LUCIFER/PARKER 220/240V 9W 50Hz
11	3120032	COIL PARKER ZB09 9W 220/240V 50/60Hz
12	1349037	DRAIN PIPE
13	1501561	GROUP SPRAY NOZZLE \varnothing 30 mm M10x1
14	1081016	SHOWER SCREEN \varnothing 60 mm
14	1081116	SHOWER SCREEN \varnothing 60 mm
14	1081216	SHOWER SCREEN \varnothing 60 mm
14	1081516	SHOWER \varnothing 60 mm
15	1186795	FILTER HOLDER GASKET \varnothing 73.5x57.5x8 mm
15	1486031	GASKET FILTER HOLDER \varnothing 73.5x57.5x8 mm
19	1160251	1 CUP FILTER 6 g
20	1160252	FILTER 2-CUP 12 g
21	1250101	FILTER BLOCKING SPRING \varnothing 1,00 mm INOX
22	1165046	FILTER HOLDER RANCILIO
23	1022501	SINGLE SPOUT \varnothing 3/8"
24	1022502	DOUBLE SPOUT \varnothing 3/8"
25	1160559	CHROME PLATED SCREW FOR SPOUT
26	1241511	FILTER HOLDER HANDLE
27	1186504	WASHER FLAT M10
28	1241513	BLIND HEXAGONAL NUT M8 UNI 5721
29	1241051	FILTER HOLDER KNOB CAP
32	1528026	CYLINDER HEAD SCREW M8x20
36	1439028	CAP \varnothing 18 mm FOR BREW GROUP
37	1186677	FLAT COPPER GASKET \varnothing 22x18x1.8 mm
38	1086014	SHOWER HOLDER DIFFUSER
39	1186812	FILTER HOLDER GASKET \varnothing 72x57x8 mm
39	1486032	GASKET FILTER HOLDER \varnothing 74x57.5x8.5 mm
39	5048248	GASKET FOR FILTER HOLD. \varnothing 74x57.5x8.5 mm
40	1349803	BREW GROUP SPRAY NOZZLE \varnothing 21 mm
41	1081036	SHOWER \varnothing 57.5 mm
41	1081536	SHOWER SCREEN \varnothing 57.5 mm
42	1528012	CYLINDER HEAD SCREW M5x14
44	1160339	BLIND FILTER \varnothing 70x17 mm
45	1190001	PAPER SHIM \varnothing 73x59x0.8 mm
46	1190002	RUBBER SHIM \varnothing 73x59x1 mm EPDM
47	1384002	BRUSH FOR MAINTENANCE
48	1069002	STAINLESS STEEL MEASURING SPOON 20 ml
49	1069001	PLASTIC MEASURING SPOON 20 ml
50	1384001	BRUSH FOR COFFEE SHOWER
51	1384003	BLACK SHOWER CLEANING BRUSH
52	1385002	NYLON COFFEE TAMPER \varnothing 50/57 mm
53	1385053	ANODIZED ALUMINIUM TAMPER \varnothing 58 mm
54	1385600	DYNAMOMETRIC MANUAL COFFEE TAMPER \varnothing 57mm
54	1385602	TAMPER MANUAL DYNAMOMETRICAL \varnothing 57 mm
55	1022503	STRAIGHT SINGLE SPOUT \varnothing 3/8"



WATER STEAM TAPS

CLUB-GREEN-COMPACT





PROMAC



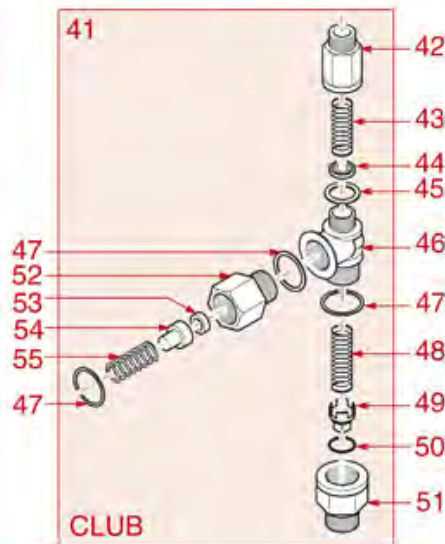
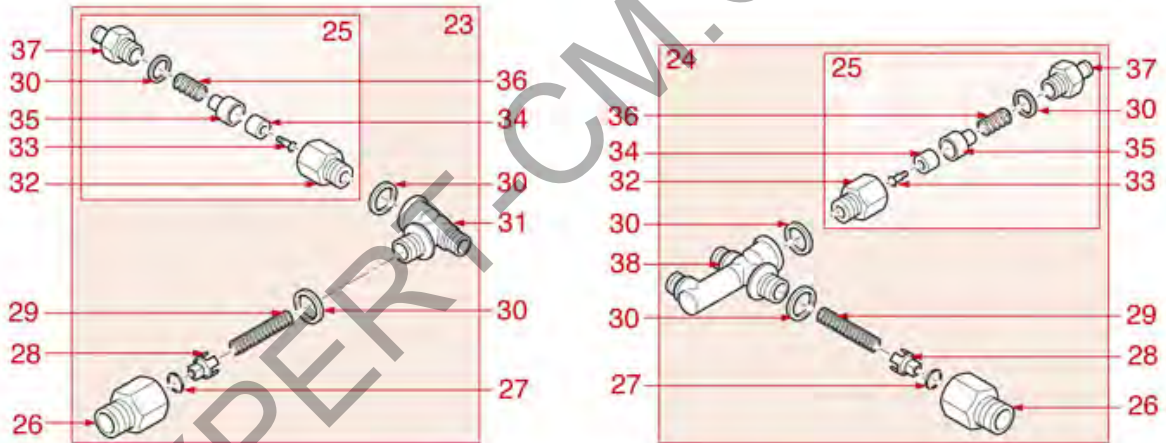
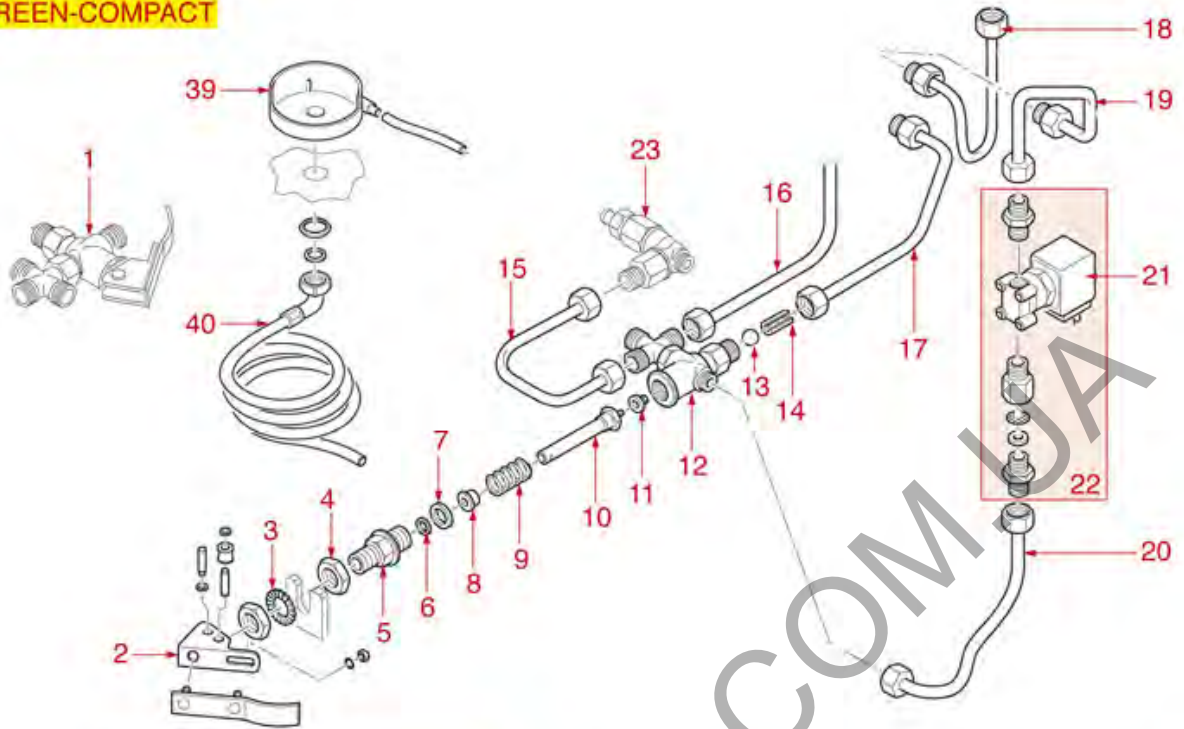
Position	LF code no.	Description
1	1348855	STEAM/WATER TAP
2	1250820	STEAM HANDLE SPRING
5	1348326	SPRING RING RADIAL \varnothing 7 mm
6	1186443	PTFE FLAT GASKET \varnothing 18x9x0.5 mm
7	1528020	WASHER FLAT LARGE M8
8	1348045	TAP BUSHING
9	1348046	TAP PIN
10	1186803	O-RING 02037 EPDM
11	1186810	FLAT COPPER GASKET \varnothing 24x21x1 mm
12	1250027	SPRING GUIDE
13	1250026	SPRING \varnothing 12x31 mm
14	1324078	TAP ROD
15	1528019	NUT WITH GASKET
17	1250224	SPRING \varnothing 12x12 mm
18	1186793	CONICAL PTFE SEAL \varnothing 12x6.5 mm
19	1186794	PTFE FLAT GASKET \varnothing 14.6x12x3 mm
20	1449051	STEAM PIPE COMPLETE CHROME-PLATED \varnothing 10 m
25	1186201	GASKET FLAT PTFE \varnothing 21x16.8x2 mm
26	1449053	COMPLETE WATER PIPE
27	1449864	COMPLETE WATER PIPE
28	1241109	STEAM TAP KNOB
29	1241110	WATER TAP KNOB
30	1186805	O-RING 0115 EPDM
34	1120460	2-WAY SOLENOID VALVE LUCIFER 240V 50Hz
34	1120466	2-WAY SOLENOID VALVE LUCIFER 115V 60Hz

EXPERT-CM.COM.UA



INLET TAP AND RETENTION VALVES

GREEN-COMPACT





PROMAC



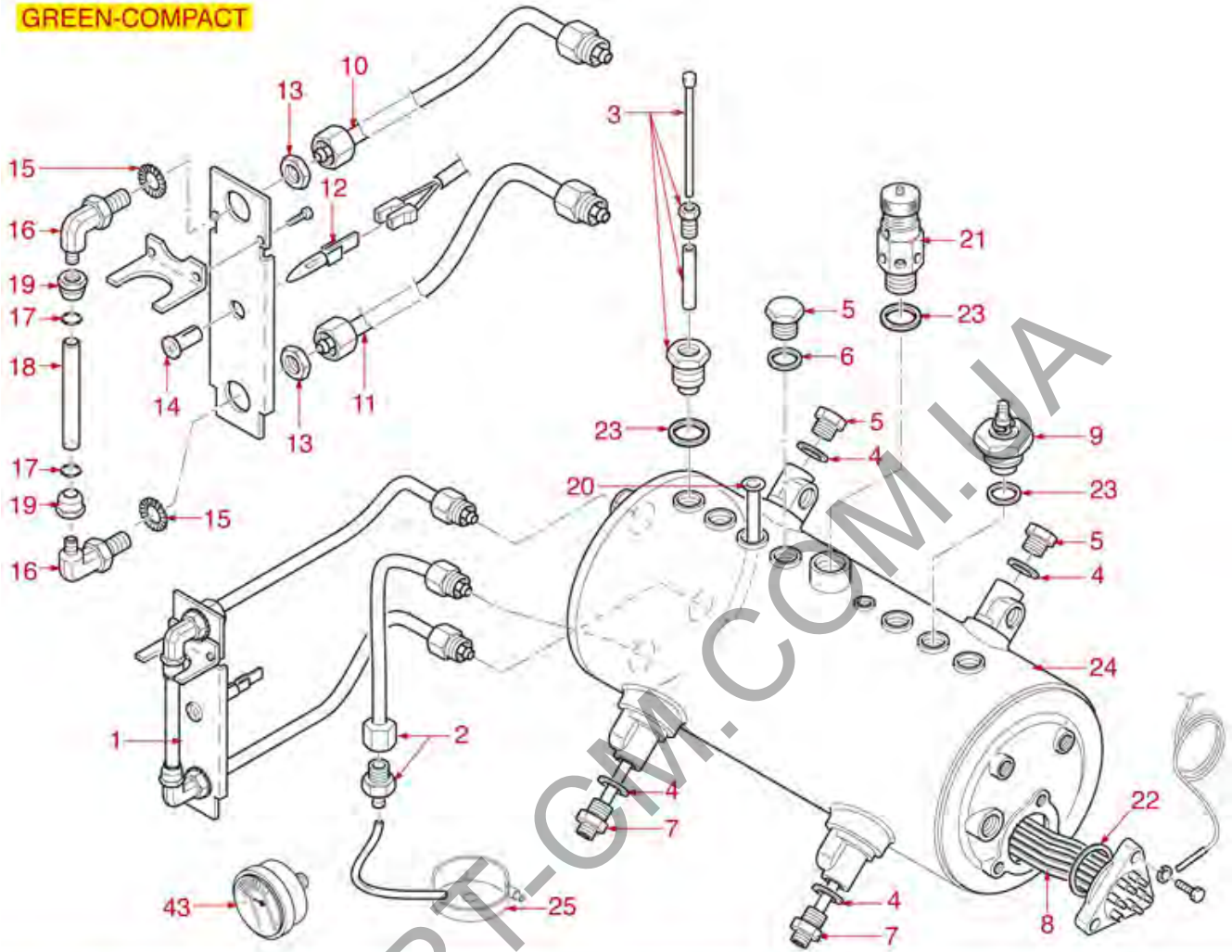
Position	LF code no.	Description
1	1348807	WATER INLET TAP
5	1349038	TAP PIN
6	1348826	LIP SEAL \varnothing 15x9x4.5 mm
7	1186810	FLAT COPPER GASKET \varnothing 24x21x1 mm
12	1348810	INLET TAP BODY
13	1348812	SPHERE MADE OF STAINLESS STEEL \varnothing 9.52 mm
14	1348811	SPACER INLET TAP
21	1120460	2-WAY SOLENOID VALVE LUCIFER 240V 50Hz
21	1120466	2-WAY SOLENOID VALVE LUCIFER 115V 60Hz
25	1523009	EXPANSION VALVE \varnothing 3/8"M-1/4"M
30	1186620	COPPER FLAT GASKET \varnothing 22x17x1.5 mm
36	1250030	SPRING \varnothing 11x20 mm
39	1527812	DRAIN TUB NSF
40	1449876	DRAIN PIPE \varnothing 3/4"F 1500 mm
43	1250028	SPRING \varnothing 10x26 mm
47	1186620	COPPER FLAT GASKET \varnothing 22x17x1.5 mm
50	1186411	O-RING 02031 EPDM
53	1186454	FLAT EPDM GASKET \varnothing 11x3.6x2 mm
55	1250030	SPRING \varnothing 11x20 mm

EXPERT-CM.COM.UA

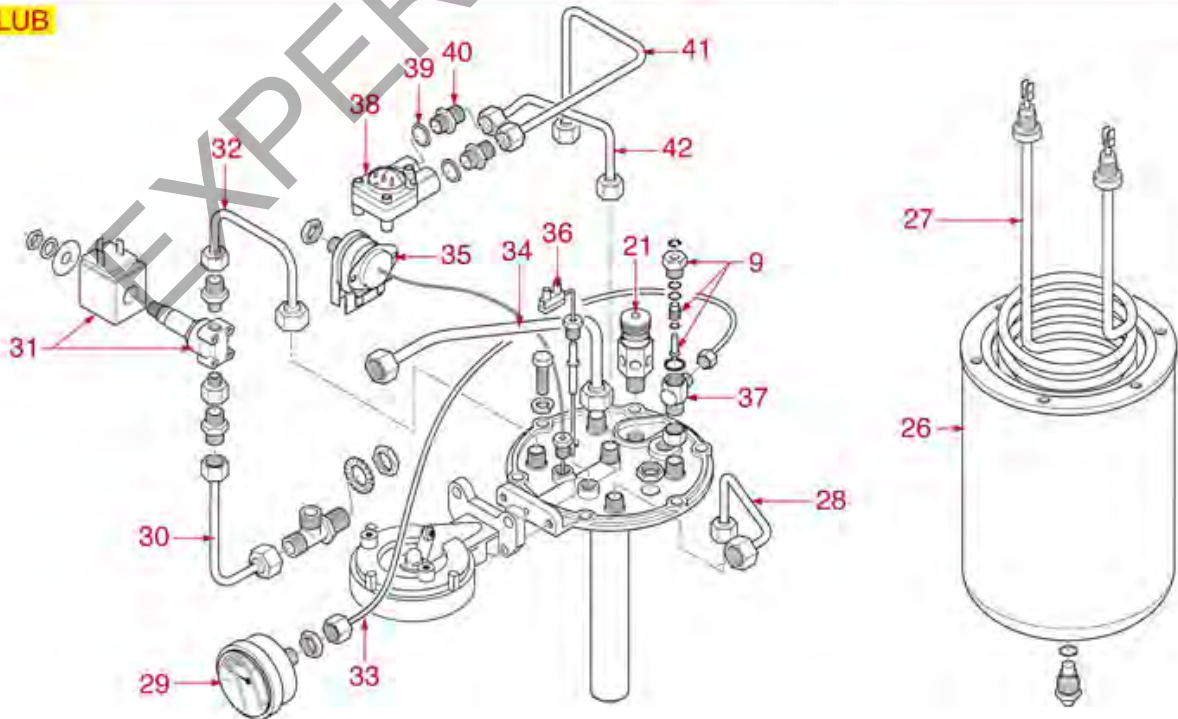


BOILER AND LEVEL GREEN-COMPACT-CLUB

GREEN-COMPACT



CLUB





PROMAC



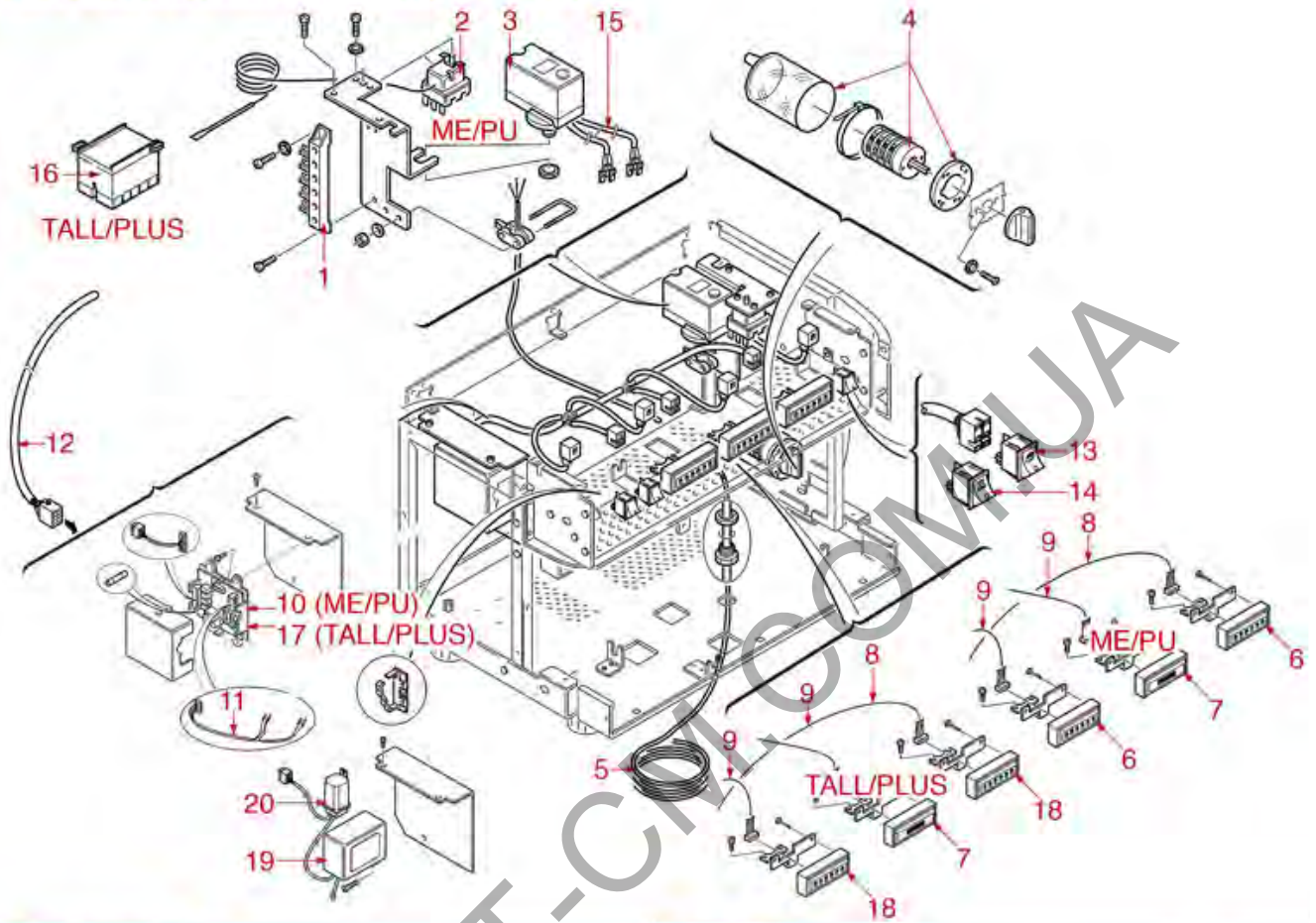
Position	LF code no.	Description
1	1201010	LEVEL GLASS ASSEMBLY
3	1341802	LEVEL PROBE \varnothing 1/8"M-115 mm
4	1186620	COPPER FLAT GASKET \varnothing 22x17x1.5 mm
6	1186620	COPPER FLAT GASKET \varnothing 22x17x1.5 mm
7	1449055	INJECTION PIPE \varnothing 1/4"M
8	1755048	HEATING ELEMENT 4300W 230/400V
8	1755049	HEATING ELEMENT 6000W 230V
8	1755182	HEATING ELEMENT 3000W 220/380V
9	1523051	BOILER VALVE \varnothing 3/8"M
9	1523651	BOILER VALVE \varnothing 3/8"M
12	3221097	NEUTRAL INDICATOR LAMP 220V
13	1449804	NUT \varnothing 3/8"F H4 SPANNER 19
14	3221163	ORANGE LAMP RECEPTACLE
17	1186803	O-RING 02037 EPDM
18	1449877	PTFE LEVEL GLASS \varnothing 10x107 mm
21	1523029	BOILER VALVE \varnothing 3/8"M - 1.6 bar CE/PED
22	1186455	PTFE FLAT GASKET \varnothing 65x46x1,5 mm
23	1186201	GASKET FLAT PTFE \varnothing 21x16.8x2 mm
25	1527812	DRAIN TUB NSF
27	1755801	HEATING ELEMENT 1700W 230V
29	1245100	BOILER PRESSURE GAUGE \varnothing 41 mm 0÷2.5 bar
35	3444230	TWO-POLE THERMOSTAT 165°C
36	1341802	LEVEL PROBE \varnothing 1/8"M-115 mm
38	1455026	VOLUMETRIC FLOW METER GICAR
39	1186619	COPPER FLAT GASKET \varnothing 18x14x1.5 mm
40	1349102	FITTING \varnothing 1/4"M-1/4"M
43	1245013	BOILER-PUMP PRESSURE GAUGE \varnothing 63 mm

EXPERT-CM.COM.UA

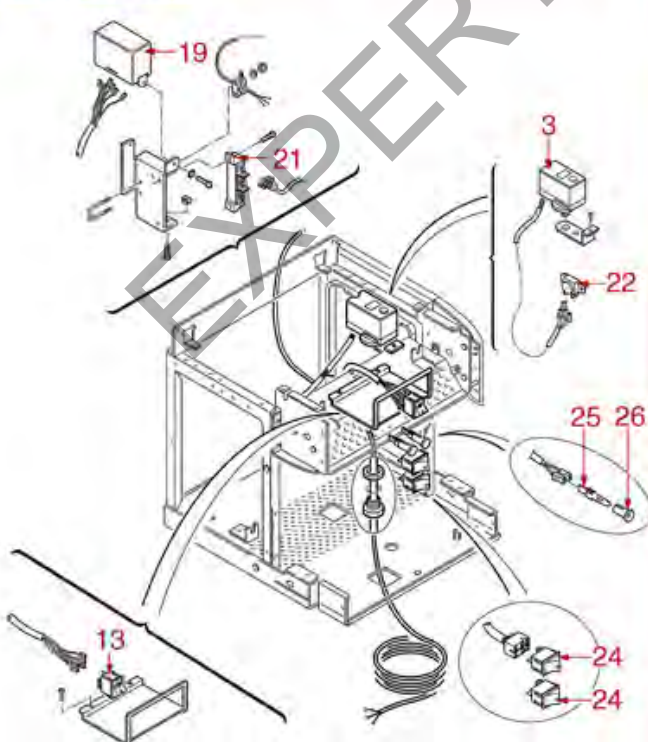


ELECTRICAL SYSTEM GREEN-COMPACT-CLUB

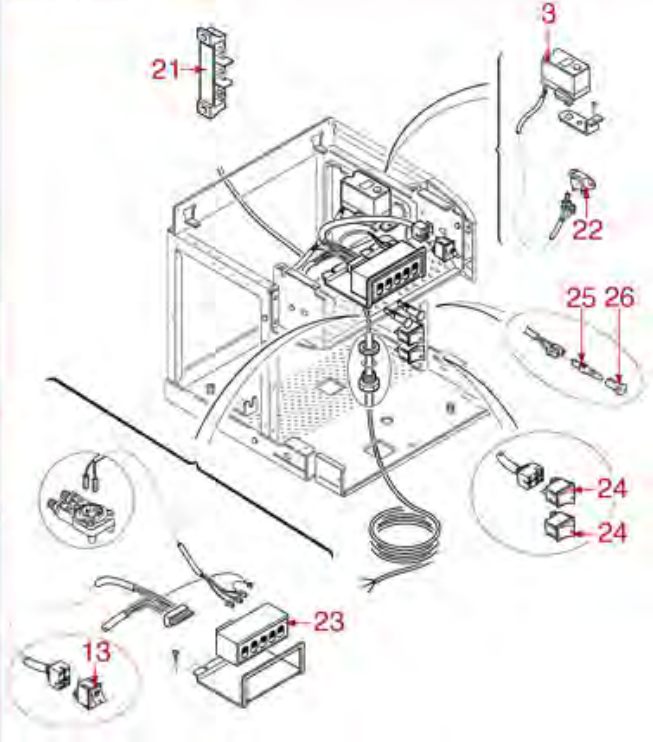
GREEN ME/PU/TALL/PLUS-compact ME/PU



CLUB PU/PU S



CLUB ME





PROMAC



Position	LF code no.	Description
1	3247009	6-POLE TERMINAL BLOCK FV122/B 40A 600V
2	1444004	THREE-PHASE THERMOSTAT 187°C
2	1444509	THREE-PHASE THERMOSTAT 169°C
3	1320541	PRESSURE SWITCH PARKER
6	1319263	PUSH-BUTTON PANEL 6 BUTTONS
10	5039219	DOSING CONTROL BOX 1-2-3 GROUPS 230V
13	1319262	BLUE BIPOLAR SWITCH 16A 250V
14	1319805	BLUE BIPOLAR SWITCH 16A 250V
17	5049432	DOSING CONTROL BOX 2-3 GROUPS 230V
21	3247016	3-POLE TERMINAL BLOCK FV273 40A 450V
22	1444005	BIPOLAR THERMOSTAT 165°
22	3444230	TWO-POLE THERMOSTAT 165°C
25	3221097	NEUTRAL INDICATOR LAMP 220V
26	3221163	ORANGE LAMP RECEPTACLE

EXPERT-CM.COM.UA