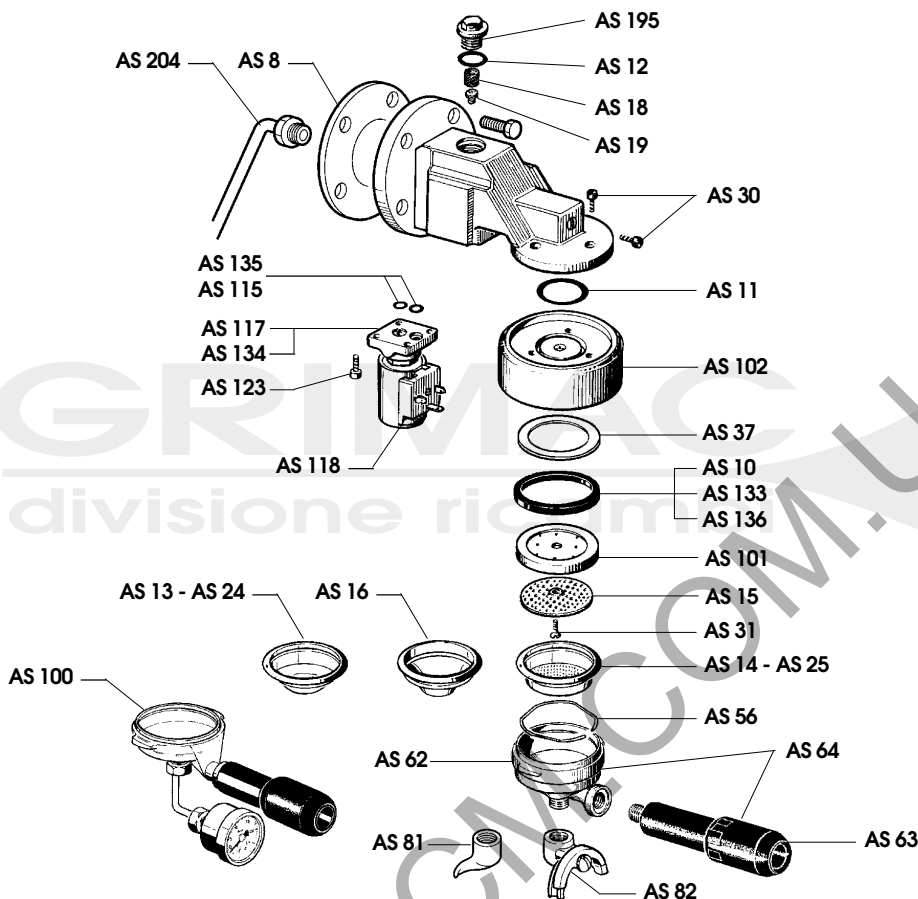


GRUPPO ELETTROVALVOLA

TAV. 001

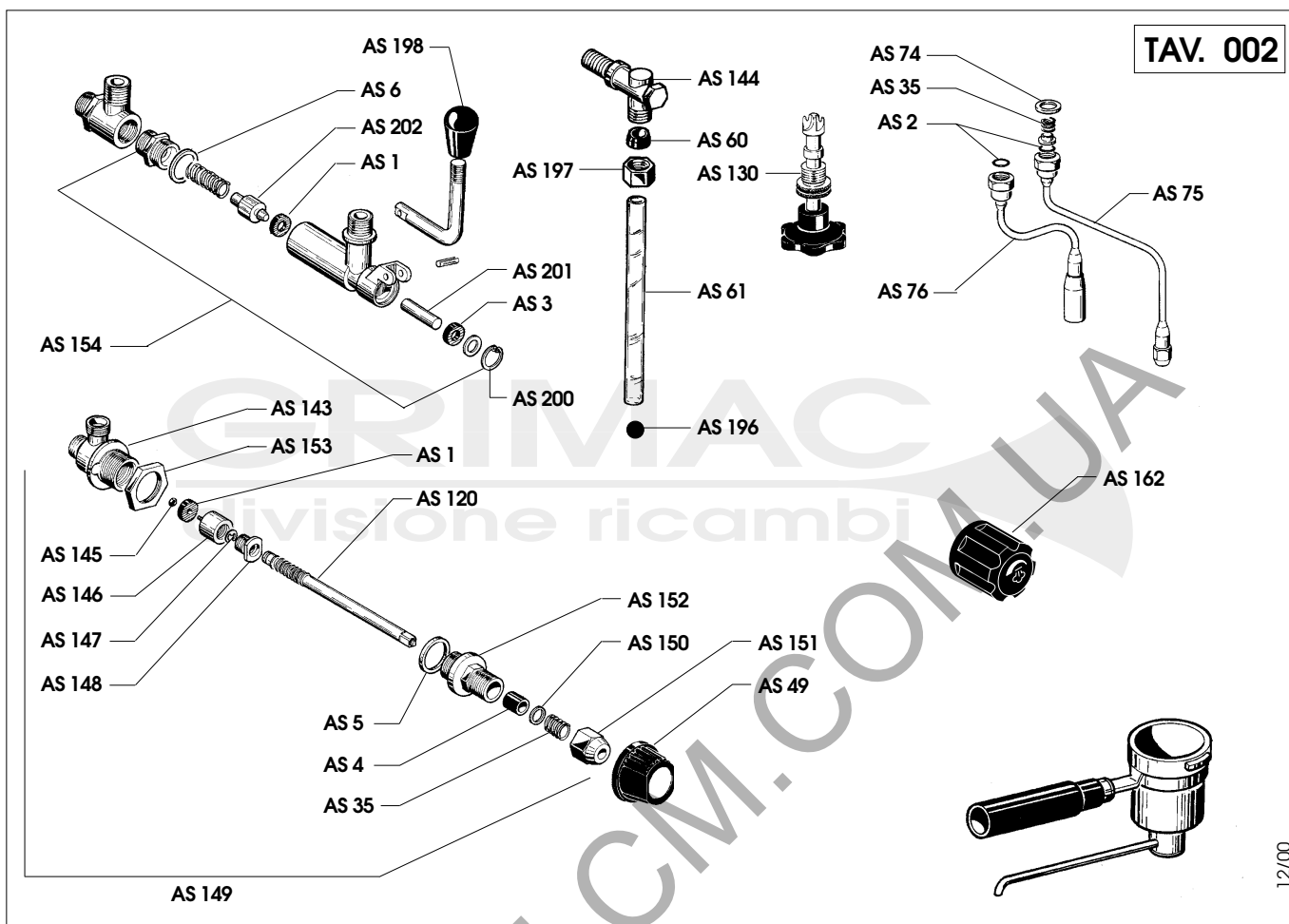


AS

10/03

CODICE CODES	DENOMINAZIONE	DENOMINATION	CODICE CODES	DENOMINAZIONE	DENOMINATION
AS/8	Guarnizione gruppo	Group gasket	AS/115	OR per elettrovalvola	Solenoid valve O-Ring
AS/10	Guar. porta filtro ø 67x56x6	Portafilter gasket ø 67x56x6	AS/117	Elettrovalvola Lucifer 230V	Lucifer 230V solenoid valve
AS/11	OR campana gruppo	Group bell O-Ring	AS/118	Bobina Lucifer 230 V	Lucifer coil 230 V
AS/12	OR tappo gruppo	Group cap O-Ring	AS/123	Vite inox	Solenoid valve screw
AS/13	Filtro 1 tazza 6 grammi	6 g. 1-cup filter with edge	AS/133	Guar. portafiltro ø71x55x8	Portafilter gasket ø71x55x8
AS/14	Filtro 2 tazze 12 grammi	12 g. 2-cup filter with edge	AS/134	Elettrovalvola Lucifer 110V	3-way solenoid valve Lucifer 110V
AS/15	Doccia erogazione	Shower screen	AS/135	OR Viton per elettrovalvola	Solenoid valve Viton O-ring
AS/16	Filtro cieco	Blind filter	AS/136	Guar. portafiltro ø71x55x8,5	Portafilter gasket ø71x55x8,5
AS/18	Filtrino per gruppo	Small filter for group	AS/195	Tappo gruppo	Group cap
AS/19	Gicleur gruppo	Groupe injection nozzle	AS/204	Tube pescante gruppo	Delivery group suction pipe
AS/24	Filtro 1 tazza 7 grammi	7 g. 1-cup filter			
AS/25	Filtro 2 tazze 14 grammi	14 g. 2-cup filter			
AS/30	Vite M5x10	Group fixing screw			
AS/31	Vite M5x12	Screw for shower screen			
AS/37	Spessore	Shim			
AS/56	Molla portafiltro	Filter clamping spring			
AS/62	Portafiltro corto	Portafilter with short handle			
AS/63	Manopola portafiltro	Portafilter knob with short handle			
AS/64	Portafiltro+manopola	Portafilter with knob			
AS/81	Beccuccio 1 via	1-way spout			
AS/82	Beccuccio 2 vie	Adjustable 2-way spout			
AS/100	Portafiltro prova pressione	Pressure test portafilter			
AS/101	Blocchetto porta doccia	Shower screen holder plate			
AS/102	Campana gruppo	Group bell			

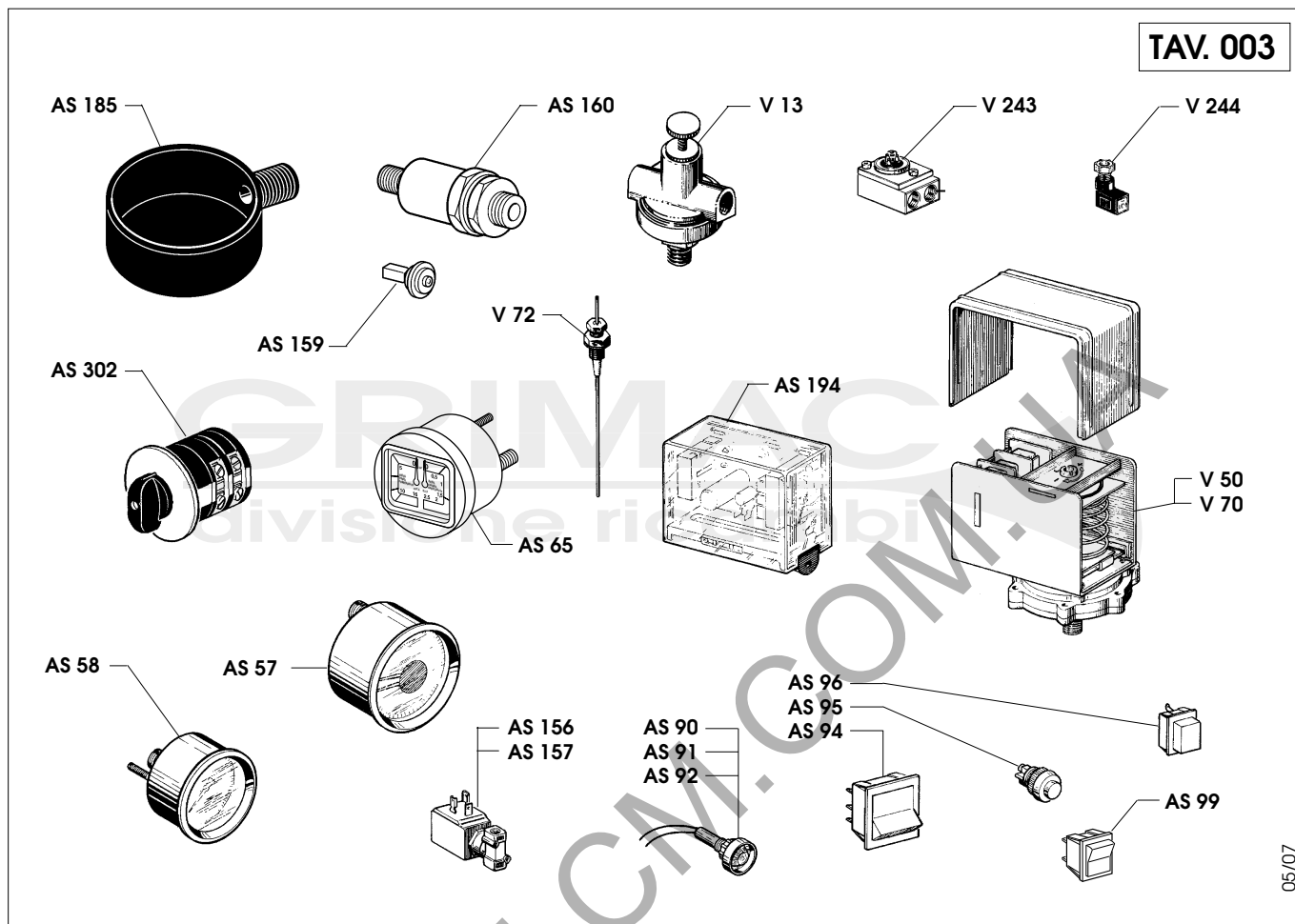
RUBINETTO-VETROLIVELLO



CODICE CODES	DENOMINAZIONE	DENOMINATION	CODICE CODES	DENOMINAZIONE	DENOMINATION
AS/1	Guarnizione	Steam/water and switch gasket	AS/151	Dado rubinetto vapore	Steam valve nut
AS/2	OR 113	Steam/water valve Viton O-Ring	AS/152	Raccordo rubinetto M26x1.5	Valve joint M26x1.5
AS/3	Guar. a collare	Collar gasket for switch	AS/153	Controdado	Valve lock nut
AS/4	Guar. premistoppa	Valve stopping box gasket	AS/154	Complessivo rubinetto carico acqua	Water intake valve assembly
AS/5	Guar. rubinetto v/a	Steam/water valve gasket	AS/162	Manopola vapore "Argenta"	"Argenta" steam knob
AS/6	Guar. rame	Water infeed copper gasket	AS/196	Biglia in plastica	Lever glass plastic ball
AS/35	Molla rubinetto vapore	Steam/water valve spring	AS/197	Dado 1/2"	Taper 1/2" nut
AS/49	Volantino rub. vap. acqua	Steam/water valve knob	AS/198	Pomello carico acqua	Water filling knob
AS/60	Guarnizione livello	Level gauge gasket	AS/200	Anello di arresto ø16	SS stop ring ø16
AS/61	Vetro livello	Level gauge glass	AS/201	Astina inox ø8	SS small rod ø8
AS/74	Guarnizione tubo	Gasket for steam pipe	AS/202	Pistoncino	Small piston
AS/75	Tubo vapore	Steam pipe			
AS/76	Tubo acqua	Water pipe			
AS/120	Asta rubinetto v/a	Steam/water valve rod			
AS/130	Fresa rubinetto v/a	Water and steam valve cutter			
AS/143	Corpo rubinetto	Valve body			
AS/144	Corpo livello superiore	Body superior level			
AS/145	Dado M3	M3 nut			
AS/146	Pistoncino rubinetto	Valve small piston			
AS/147	Anello di arresto	Small piston stop ring			
AS/148	Ghiera pistoncino	Small piston ring nut			
AS/149	Complessivo rubinetto vapore	Steam valve assembly			
AS/150	Rondella asta	Rod brass washer			

PARTI ELETTRICHE-MANOMETRI-VALVOLE

TAV. 003



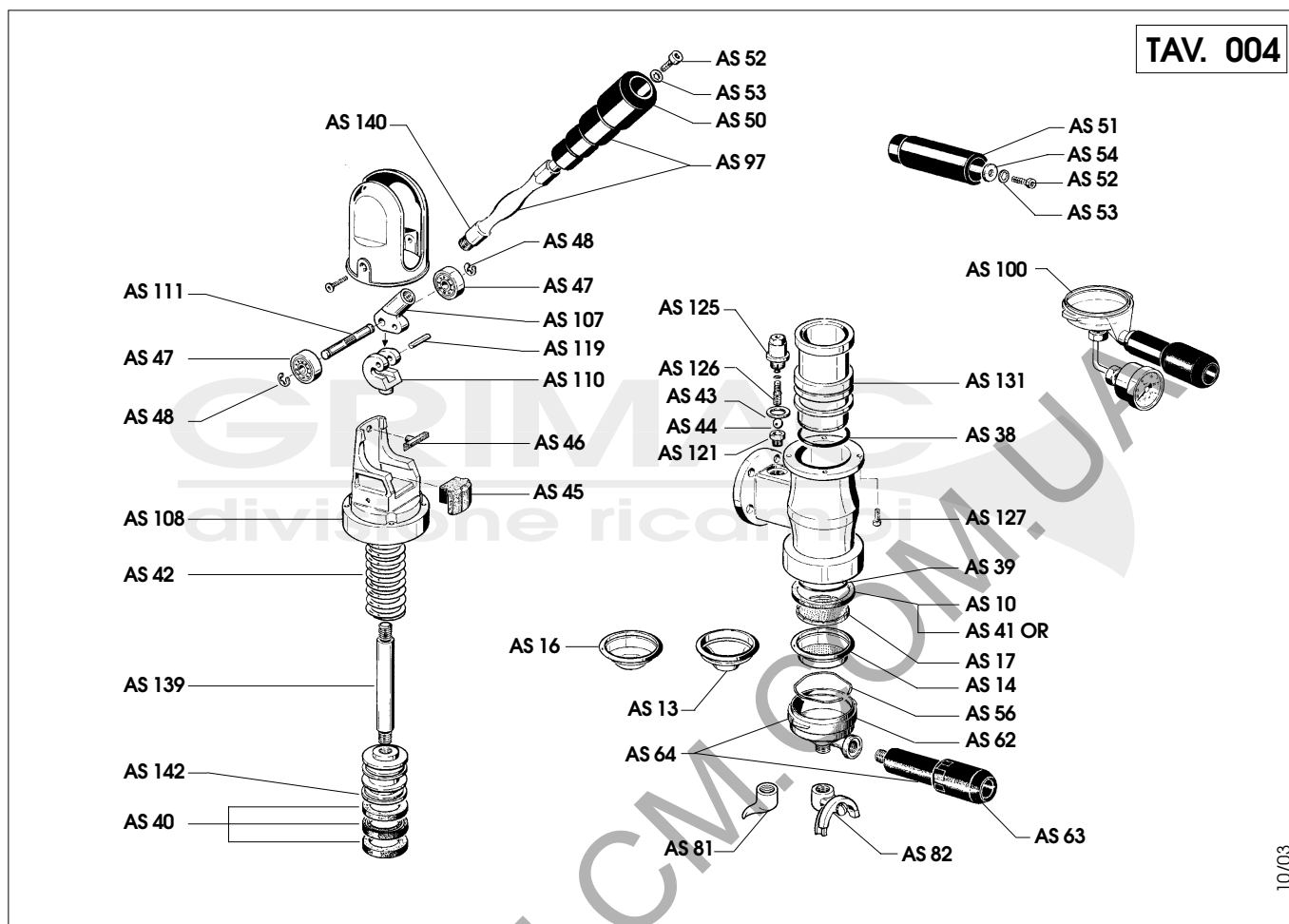
AS

05/07

CODICE CODES	DENOMINAZIONE	DENOMINATION	CODICE CODES	DENOMINAZIONE	DENOMINATION
AS/57	Manometro doppia scala	Double scale pressure gauge			
AS/58	Manometro 3 atm.	3 Atm. pressure gauge			
AS/65	Manometro doppia scala	Double scale pressure gauge			
AS/90	Spia luminosa V 12	12V pilot lamp			
AS/91	Spia luminosa V 110	110V pilot lamp			
AS/92	Spia luminosa V 230	230V pilot lamp			
AS/94	Interruttore erogazione	Screen group switch			
AS/95	Pulsante arresto	Stop button			
AS/96	Pulsante marcia	Start switch			
AS/99	Interruttore I/O	I/O switch			
AS/156	Elettrovalvola 2 vie 230V	2-way solenoid valve 230V			
AS/157	Elettrovalvola 2 vie 110V	2-way solenoid valve 110V			
AS/159	Valvola di ritegno	Nonreturn valve			
AS/160	Valvola di espansione	Expansion valve			
AS/185	Vaschetta scarico	Plastic drain tray			
AS/194	RL 30 1E 2C F 230V	Level adjuster RL 30 1E 2C F 230V			
AS/302	Interruttore generale	Main switch			
V/13	Automatico gas	Automatic gas system			
V/50	Pressostato Parker	Parker pressure switch			
V/70	Pressostato Sirai	Sirai pressure switch			
V/72	Sonda per autolivello	Probe for autom. level adjustm.			
V/243	Ventolina	Volumetric meter			
V/244	Connettore per ventolina	Connector for volumetric meter			

GRUPPO A LEVA

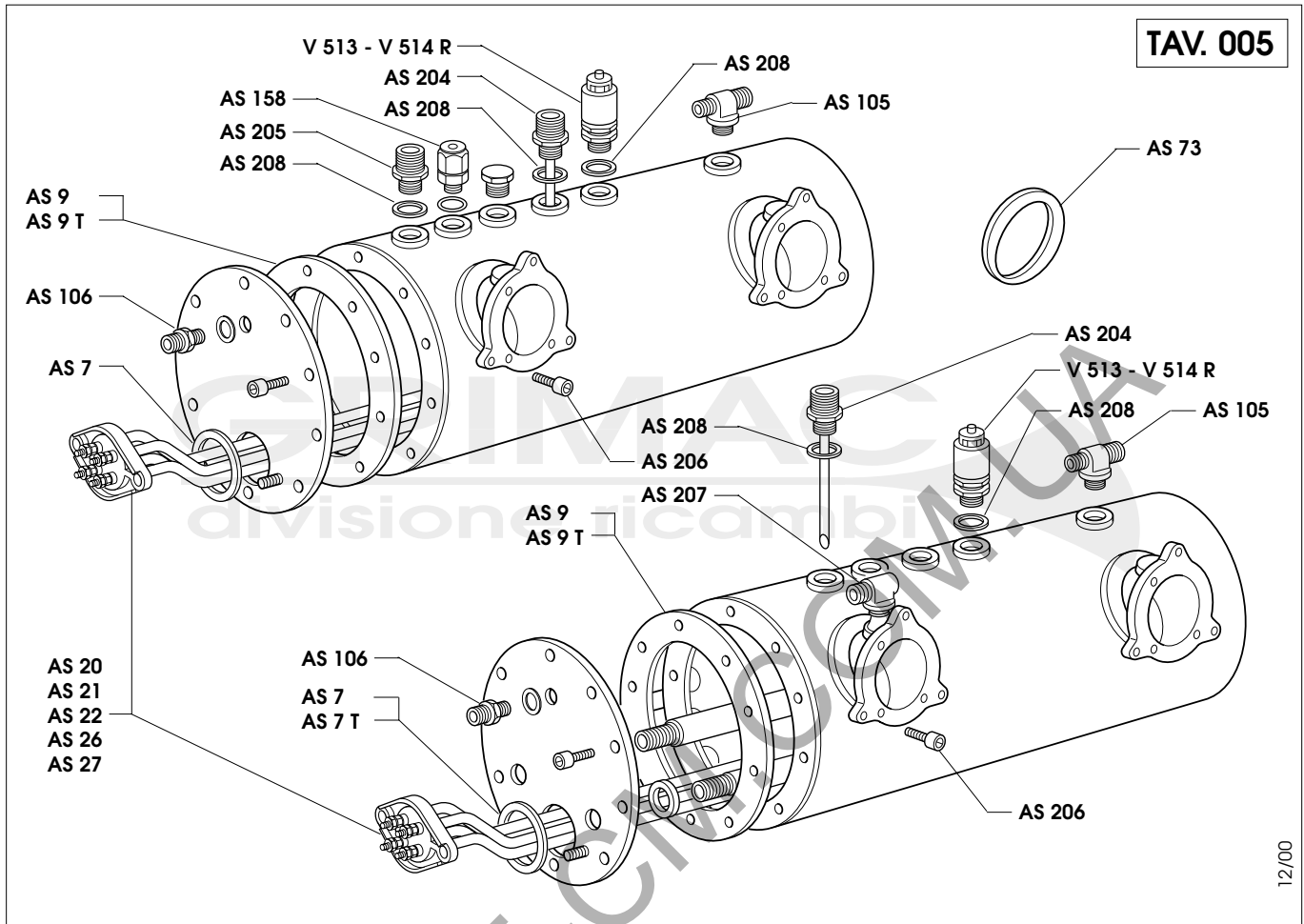
TAV. 004



10/03

CODICE CODES	DENOMINAZIONE	DENOMINATION	CODICE CODES	DENOMINAZIONE	DENOMINATION
AS/10	Guarnizione porta filtro ø67x56x6	Portafilter gasket ø67x56x6	AS/64	Portafiltra+manopola	Portafilter with knob
AS/13	Filtro 1 tazza 6 grammi	6 g. 1-cup filter with edge	AS/81	Beccuccio a 1 via	1-way spout
AS/14	Filtro 2 tazze 12 grammi	12 g. 2-cup low filter with edge	AS/82	Beccuccio a 2 vie	Adjustable 2-way spout
AS/16	Filtro cieco	Blind filter	AS/97	Leva gruppo+manopola	Group level with knob
AS/17	Doccia gr. a leva	Lever machine shower screen	AS/100	Portafiltra prova pressione	Pressure test portafilter
AS/38	OR 162 cilindro leva	Lever cylinder 162 O-Ring	AS/107	Snodo per leva	Lever joint
AS/39	OR 161 cilindro leva	Lever cylinder 161 O-Ring	AS/108	Castello gruppo Ale	Ale group mounting
AS/40	Guar. pistone a leva	Lever piston gasket	AS/110	Forcella	Fork
AS/41	OR 160 porta filtro a leva	160 O-Ring for lever portafilter	AS/111	Perno	Stop bearing pin
AS/42	Molla pistone	Piston spring	AS/119	Spina forcella	Fork pin
AS/43	Guarnizione rame	Gasket	AS/121	Valvola ritegno	Check valve for ale group
AS/44	Sfera acciaio inox	Stainless steel ball	AS/125	Raccordo gruppo	Ale group connector
AS/45	Paracolpo inferiore	Lower buffer	AS/126	Vite per valvola ritegno	Nonreturn fixing screw
AS/46	Paracolpo superiore	Upper buffer	AS/127	Vite attacco gruppo	Screw 5x16 UNI 5931
AS/47	Cuscinetto gr. a leva	Lever machine bearing	AS/131	Camicia	Ale group jacket
AS/48	Benzing	Benzing	AS/139	Asta pistone	Ale group piston rod
AS/50	Manopola gr. a leva	Lever machine grip	AS/140	Leva gruppo	Group lever
AS/51	Manopola porta filtro	Portafilter knob	AS/142	Pistone	Ale group piston
AS/52	Brugola	Allen screw for portafilter knob			
AS/53	Rosetta	Toothed washer for portafilter knob			
AS/54	Rondella	Portafilter handle washer			
AS/56	Molla porta filtro	Filter clamping spring			
AS/62	Portafiltra	Portafilter			
AS/63	Manopola portafiltra	Portafilter knob with short handle			

CALDAIA



12/00

AS

CODICE CODES	DENOMINAZIONE	DENOMINATION	CODICE CODES	DENOMINAZIONE	DENOMINATION
AS/7	Guarnizione resistenza Teflon	Heating element Teflon gasket			
AS/9	Guarnizione caldaia	Gasket for boiler			
AS/9T	Guarnizione caldaia Teflon	Teflon gasket for boiler			
AS/20	Resistenza 1 gruppo 2000W 230V	1 gr. heating element 2000W 230V			
AS/21	Resistenza 2 gruppi 2600W 230V	2 gr. heating element 2600W 230V			
AS/22	Resistenza 3 gruppi 3700W 230V	3 gr. heating element 3700W 230V			
AS/26	Resistenza 1 gruppo 2000W 110V	1 gr. heating element 2000W 110V			
AS/27	Resistenza 2 gruppi 2600W 110V	2 gr. heating element 2600W 110V			
AS/73	Guarniz. Teflon cartuccia	Teflon gasket			
AS/105	Raccordo caldaia 3/8"x1/4"x3/8"	3/8"x1/4"x3/8" connector			
AS/106	Raccordo caldaia 3/8"x1/4" M	3/8"x1/4" M connector			
AS/158	Valvola depressione caldaia 1/4"	1/4" boiler valve			
AS/204	Tubo pescaggio gruppo erogazione	Delivery group suction pipe			
AS/205	Raccordo caldaia 3/8"-3/8"	3/8"-3/8" boiler fitting			
AS/206	Vite fissaggio caldaia	Boiler securing screw			
AS/207	Raccordo caldaia 2 vie	2-way connectors			
AS/208	Guarnizione tubo pescaggio e valvola	3/8" gasket for boiler valve			
V/513	Valvola caldaia 3/8" ISPEL	3/8" ISPEL-homologated boiler valve			
V/514R	Valvola caldaia 3/8"	3/8" boiler valve			

EXPERT-CM.COM.UA