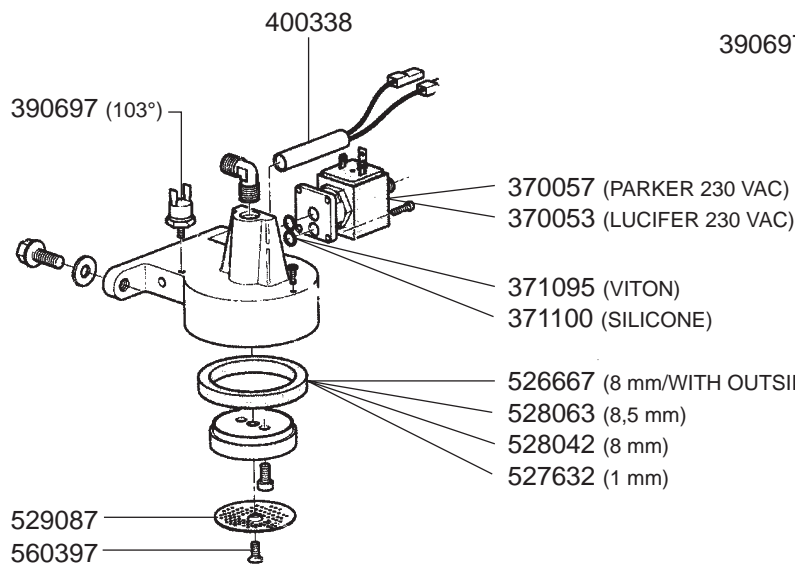
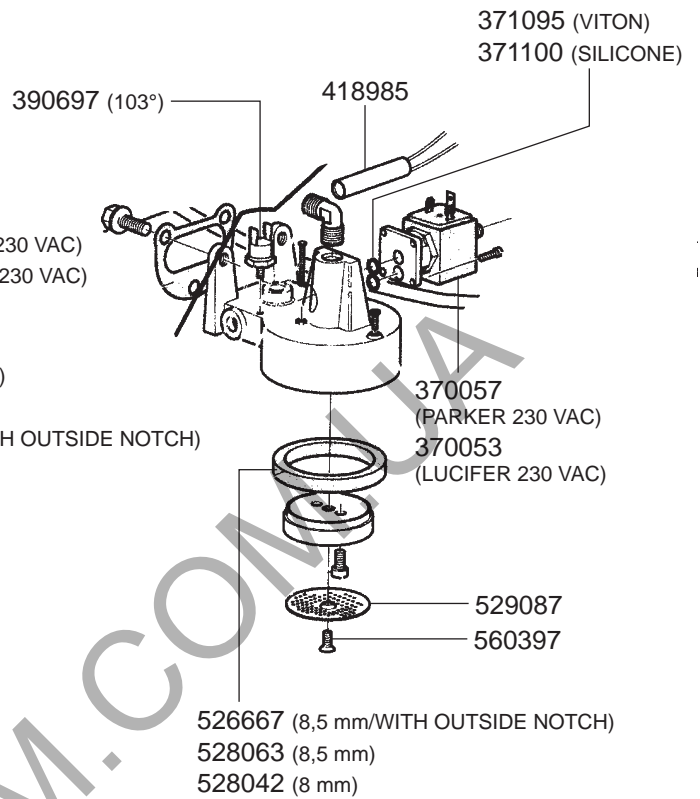


GROUP XE-XD EVOLUTION/DECO D-E/GE-GD

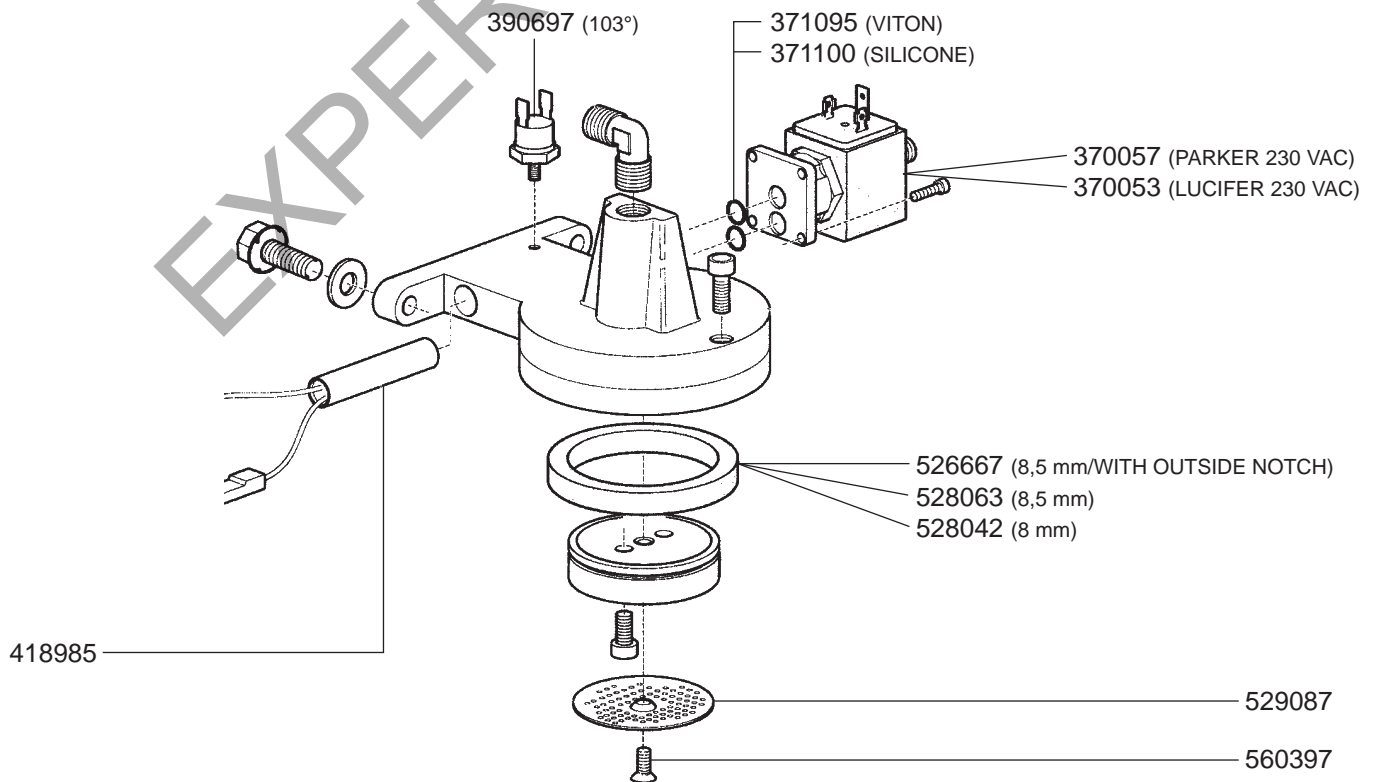
XE-XD EVOLUTION



DECO D-E/GE-GD



GROUP TS



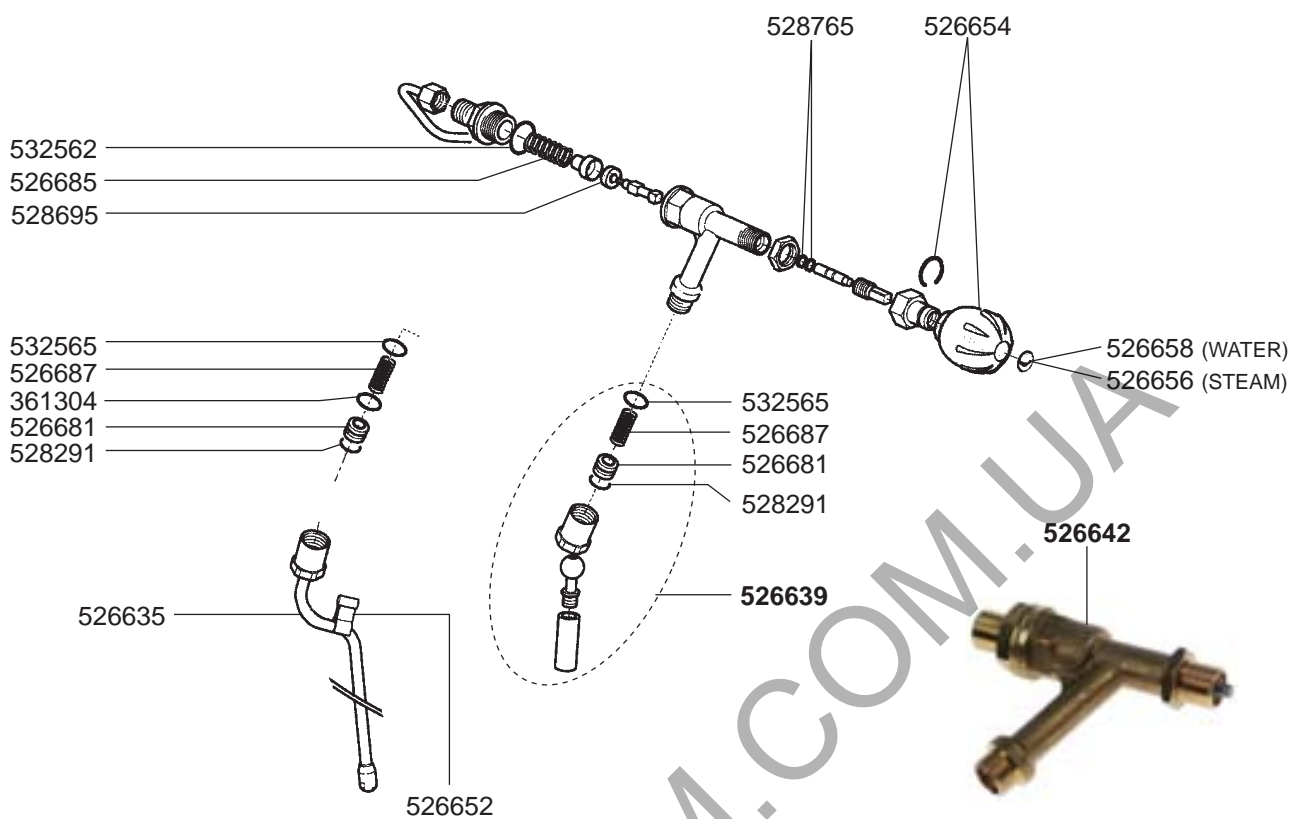
FILTER HOLDERS



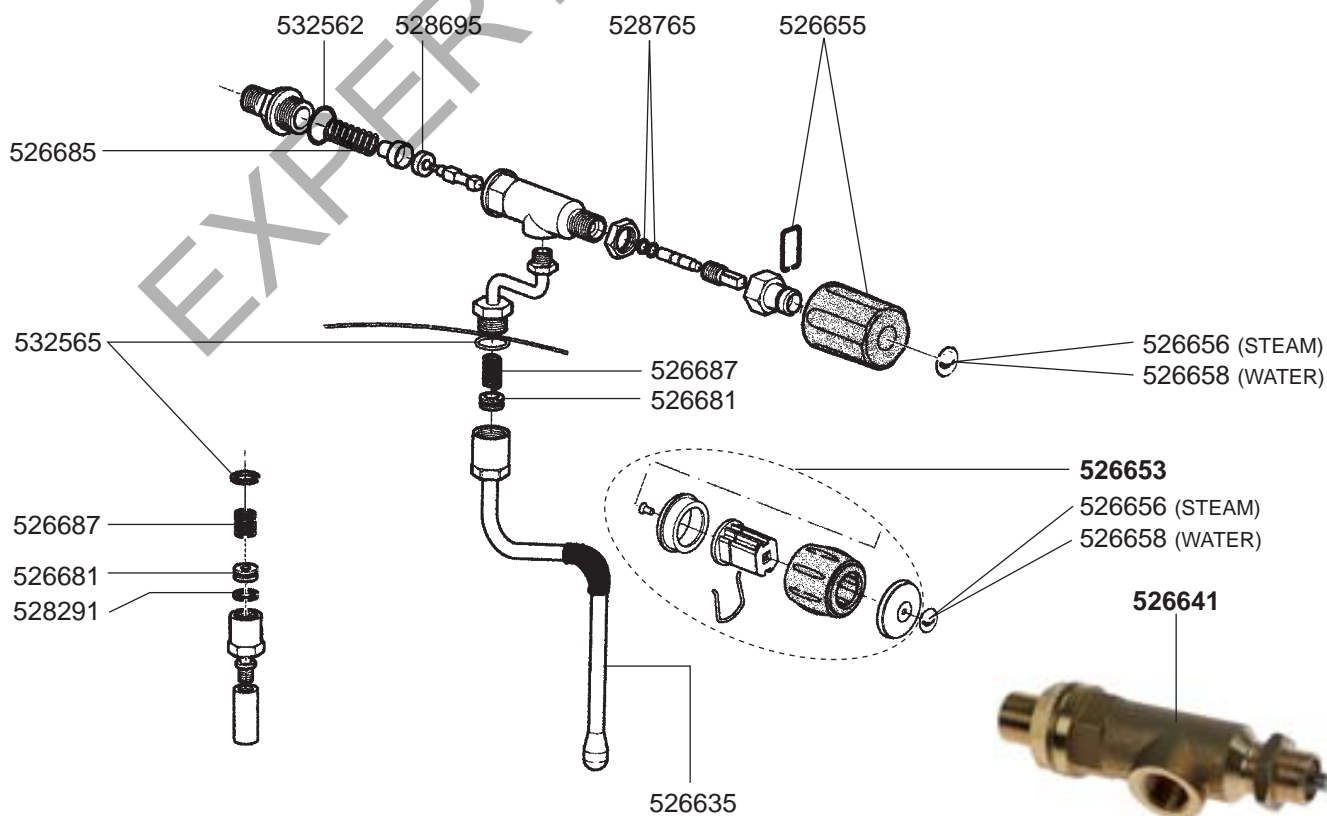
OLD MODEL FILTER HOLDERS



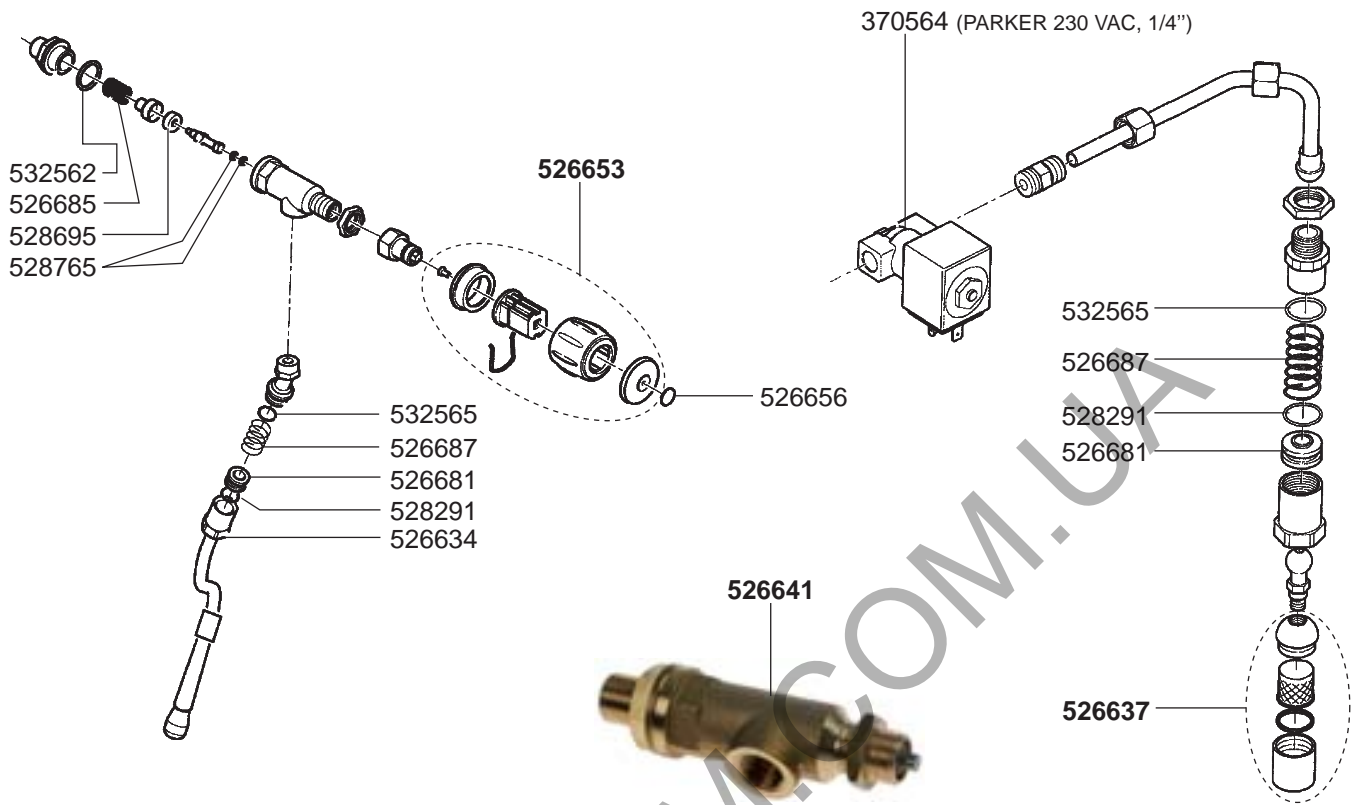
STEAM/WATER TAPS GE-GD



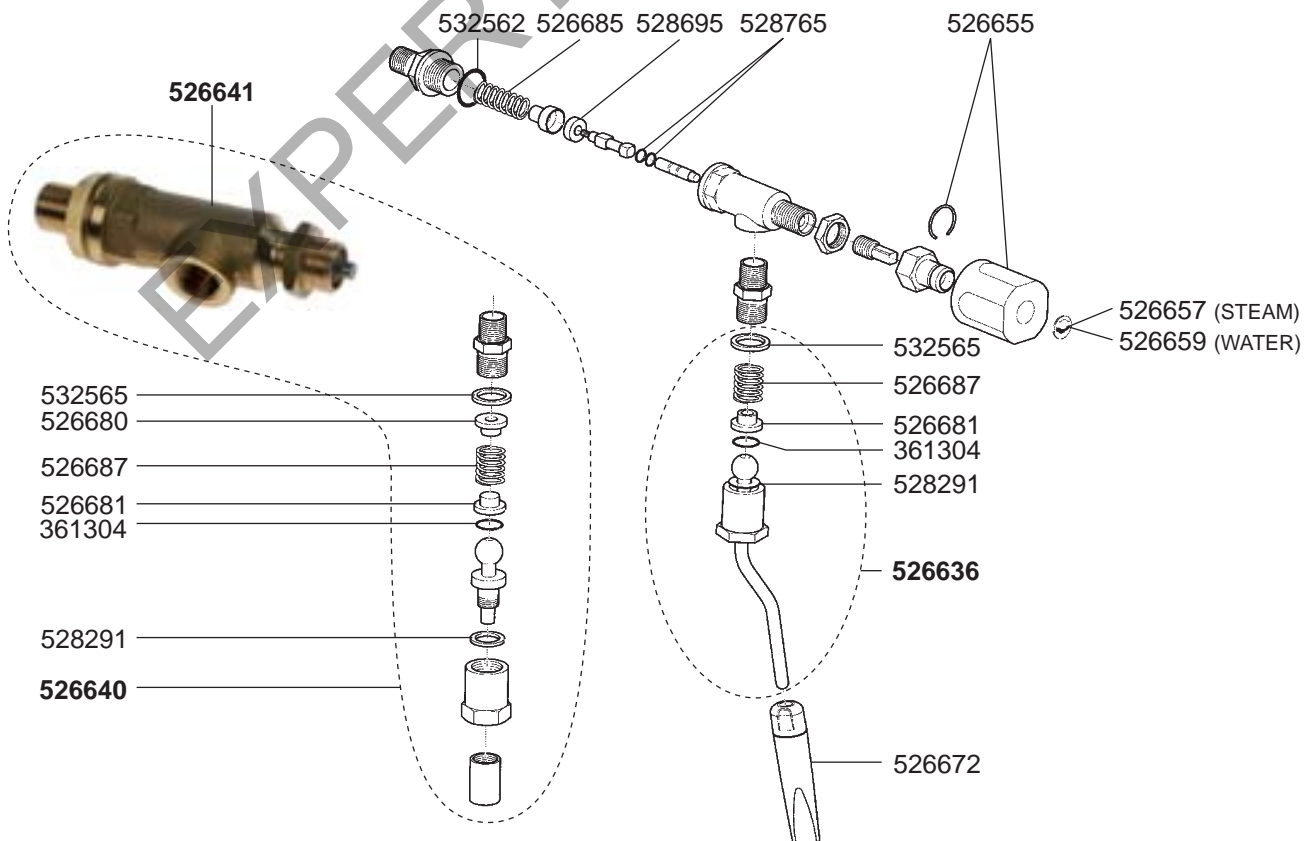
STEAM/WATER TAPS XE-XD EVOLUTION



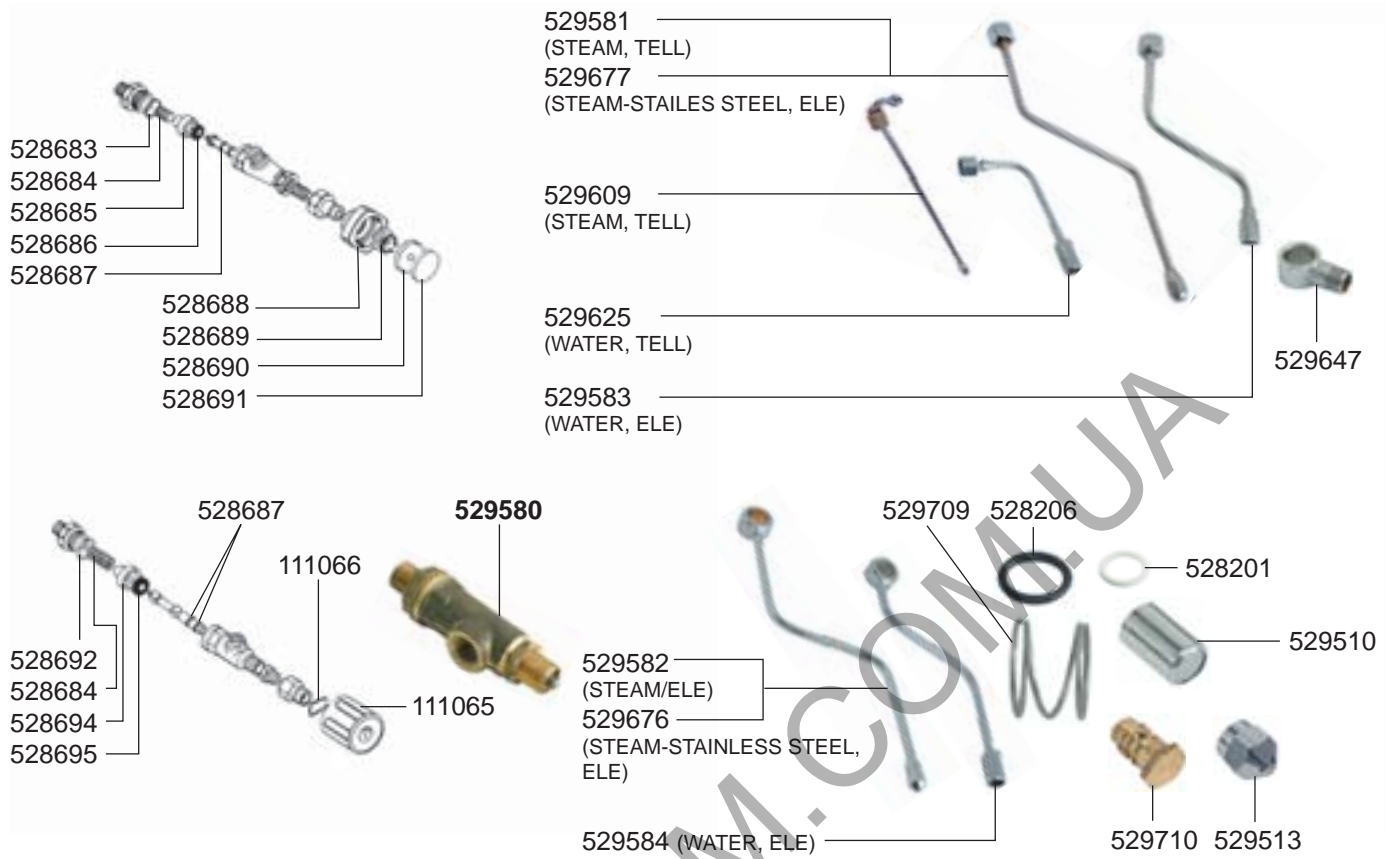
STEAM/WATER TAPS DECO D-E



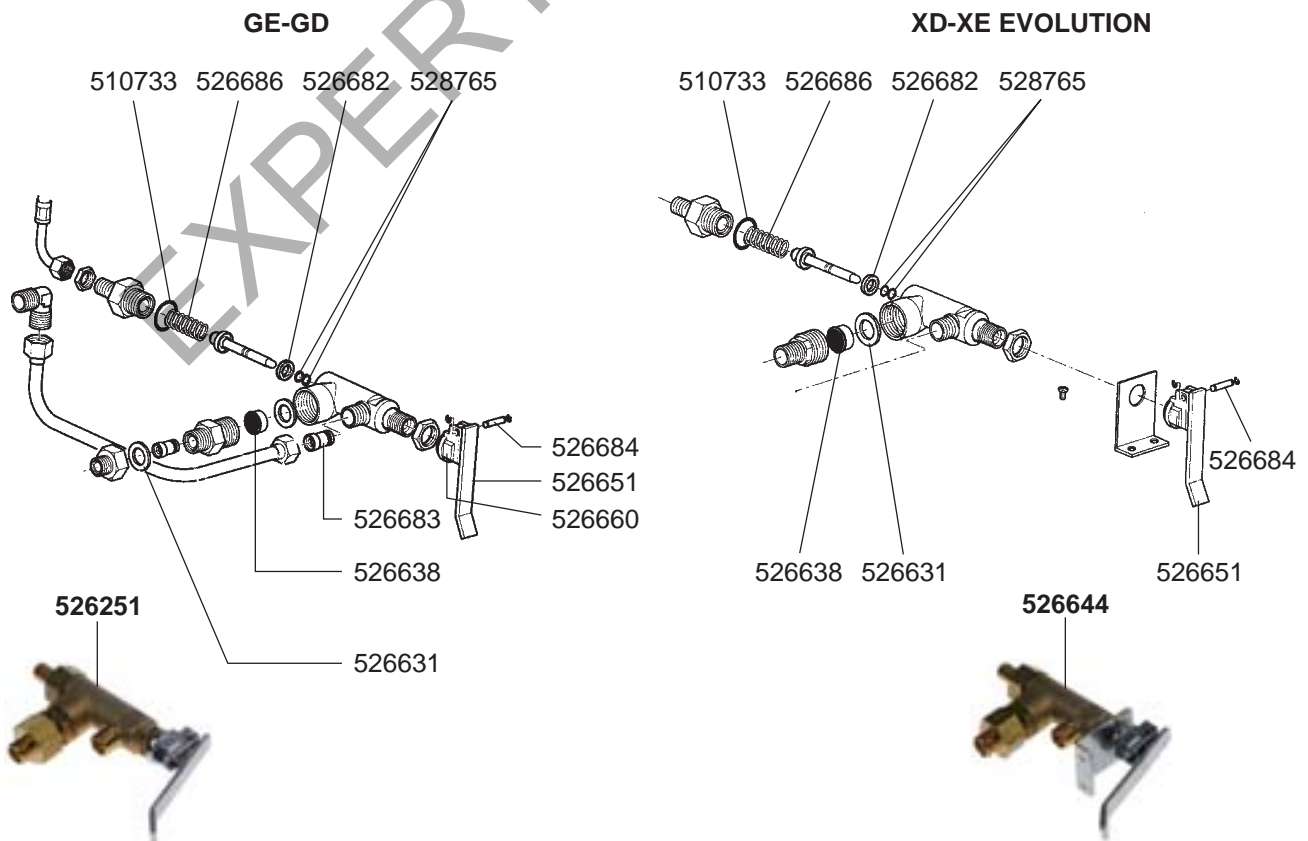
STEAM/WATER TAPS TS



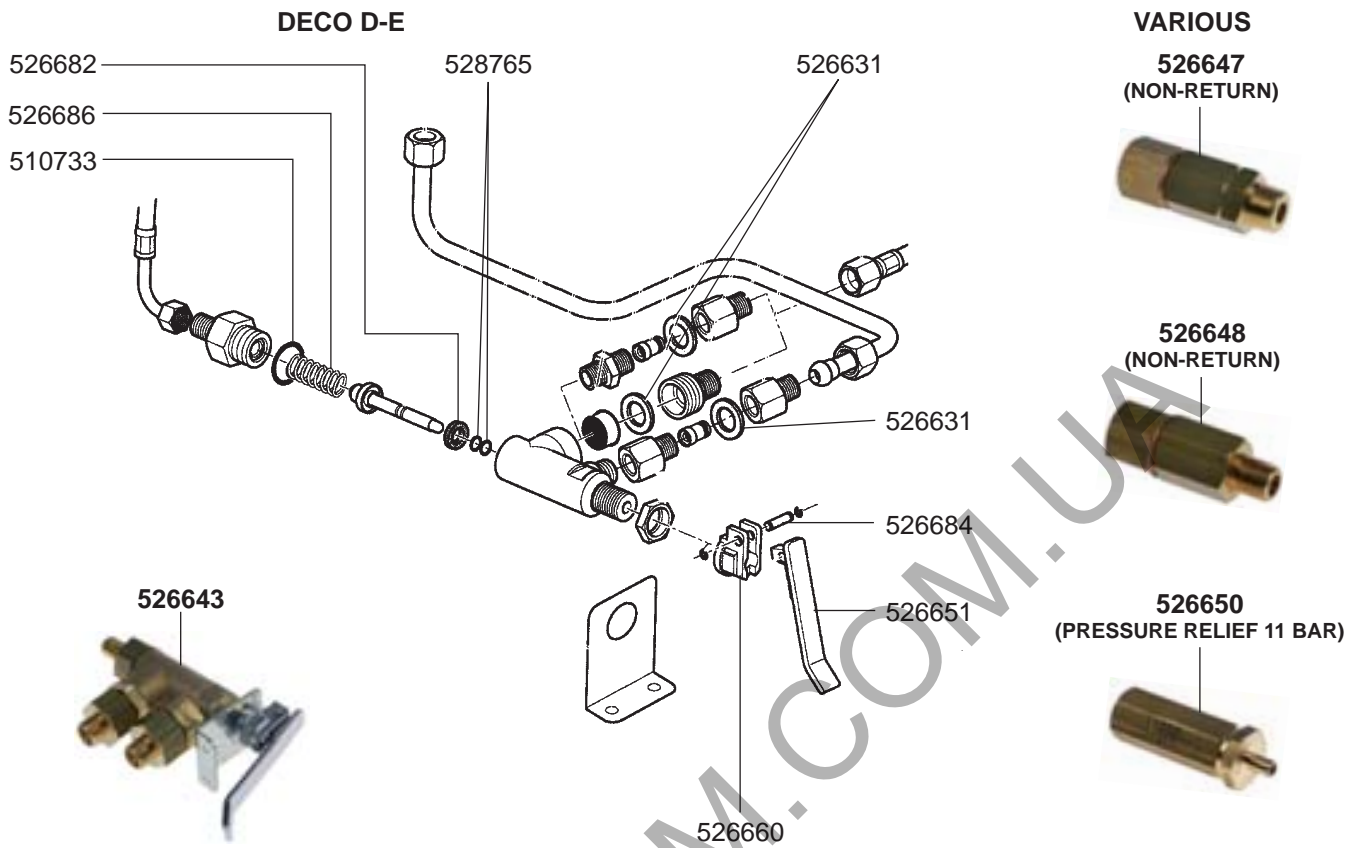
OLD MODEL STEAM/WATER TAPS



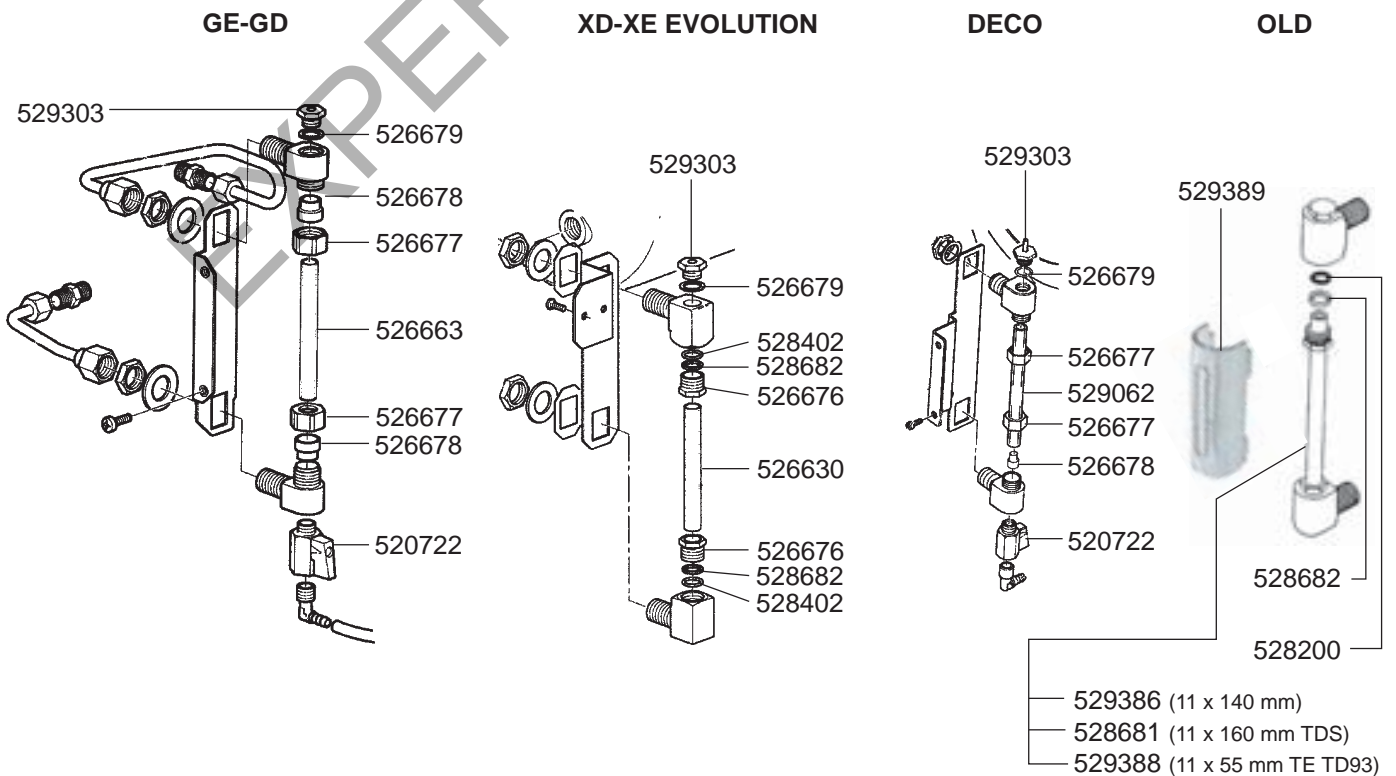
Inlet VALVE GE-GD/XD-XE EVOLUTION



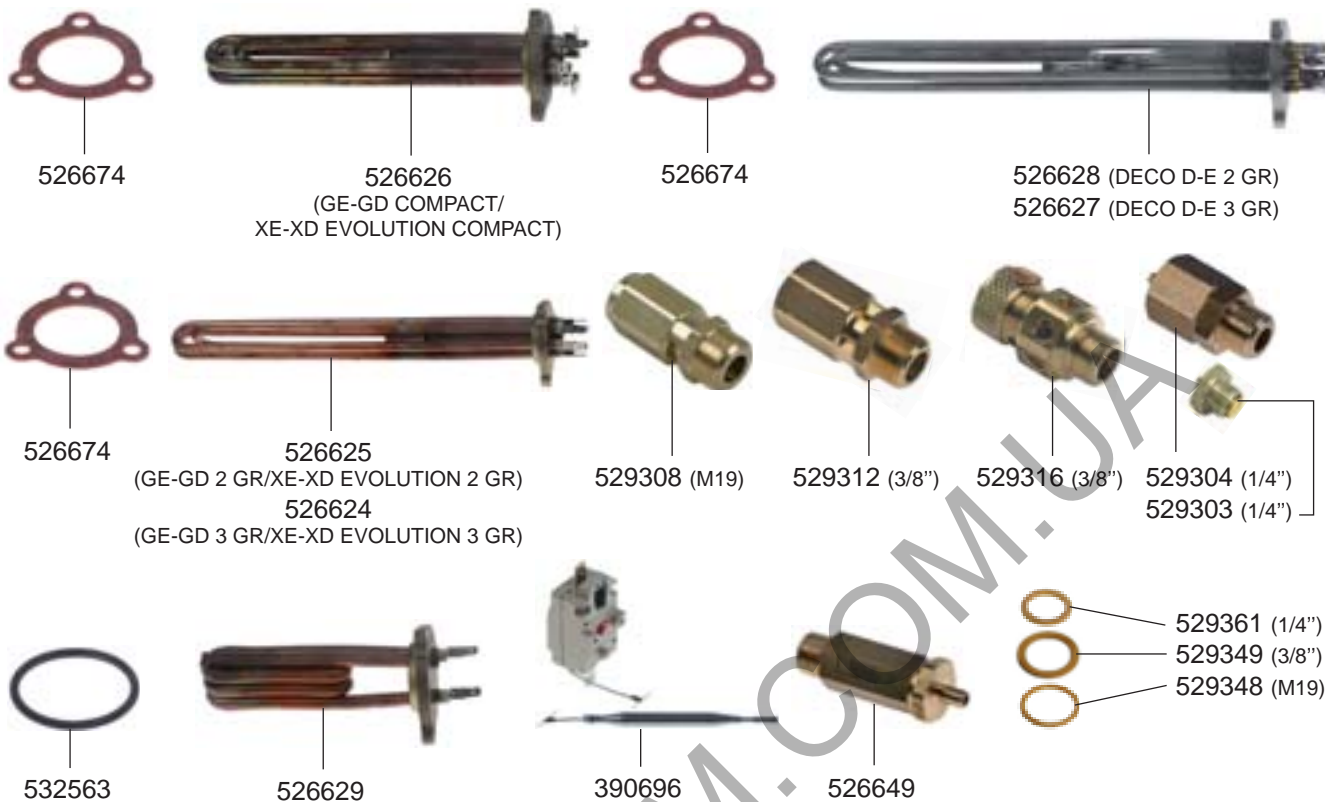
Inlet VALVE DECO D-E VARIOUS



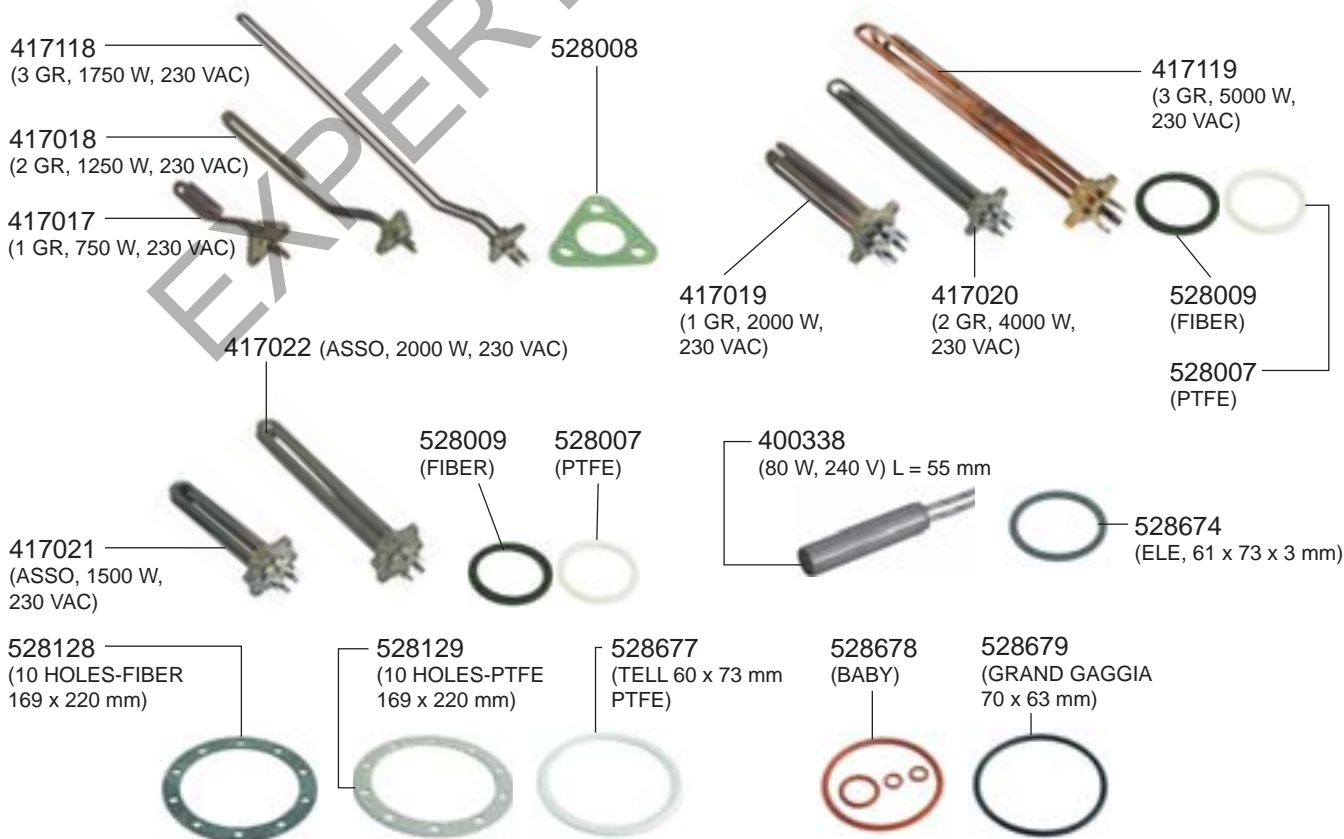
LEVEL INDICATOR GE-GD/XD-XE EVOLUTION/DECO



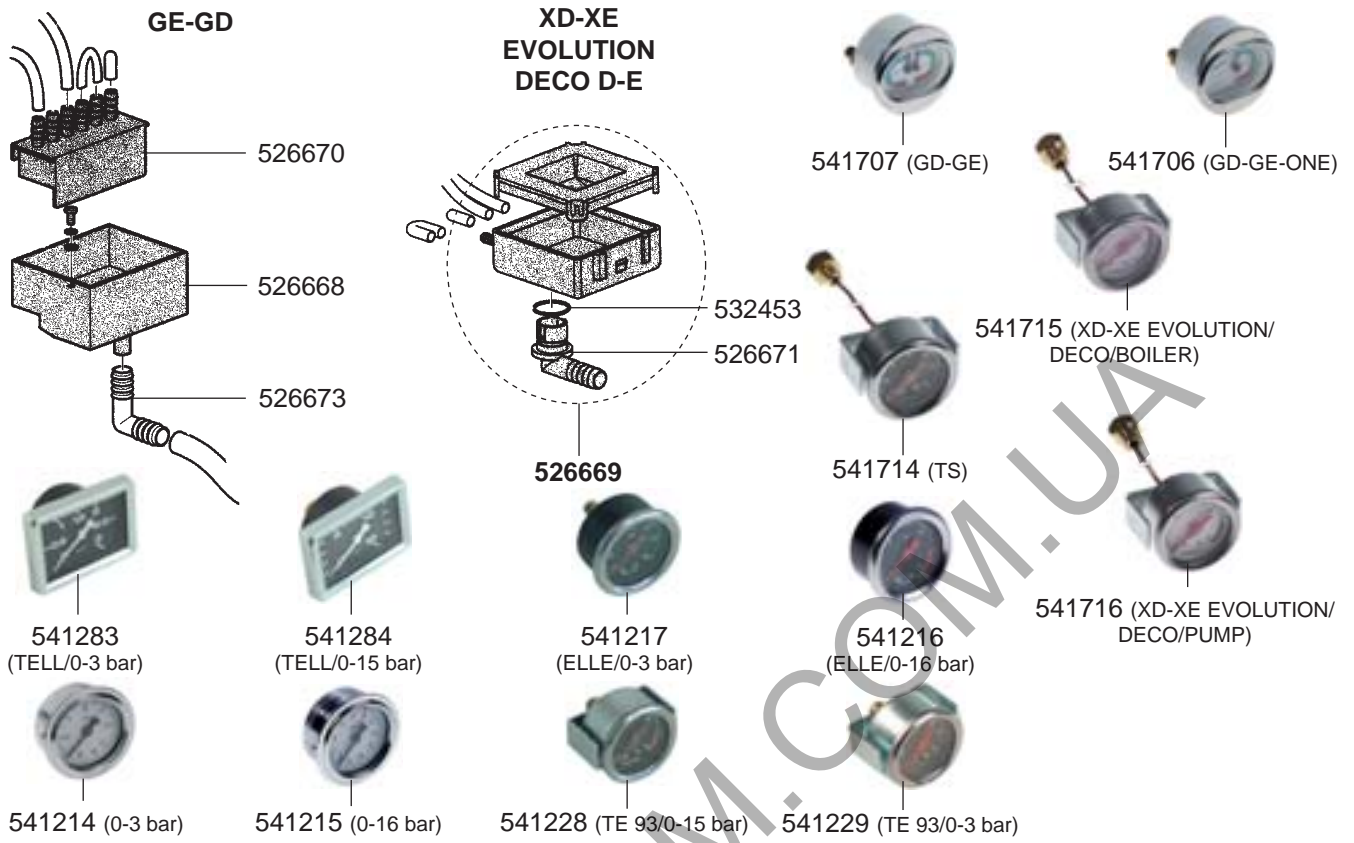
BOILER XD-XE EVOLUTION/DECO D-E/GE-GD/TS VARIOUS



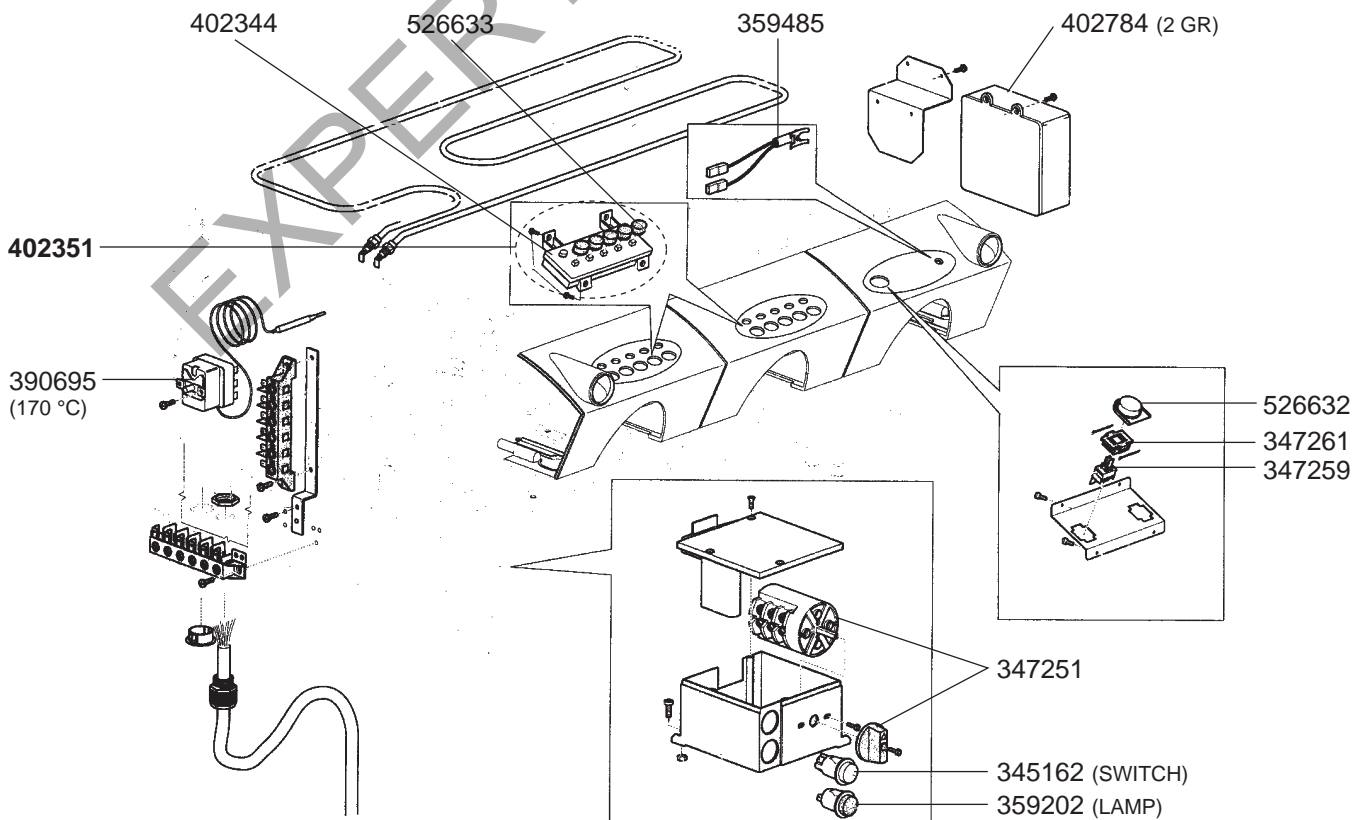
BOILER OLD MODELS VARIOUS



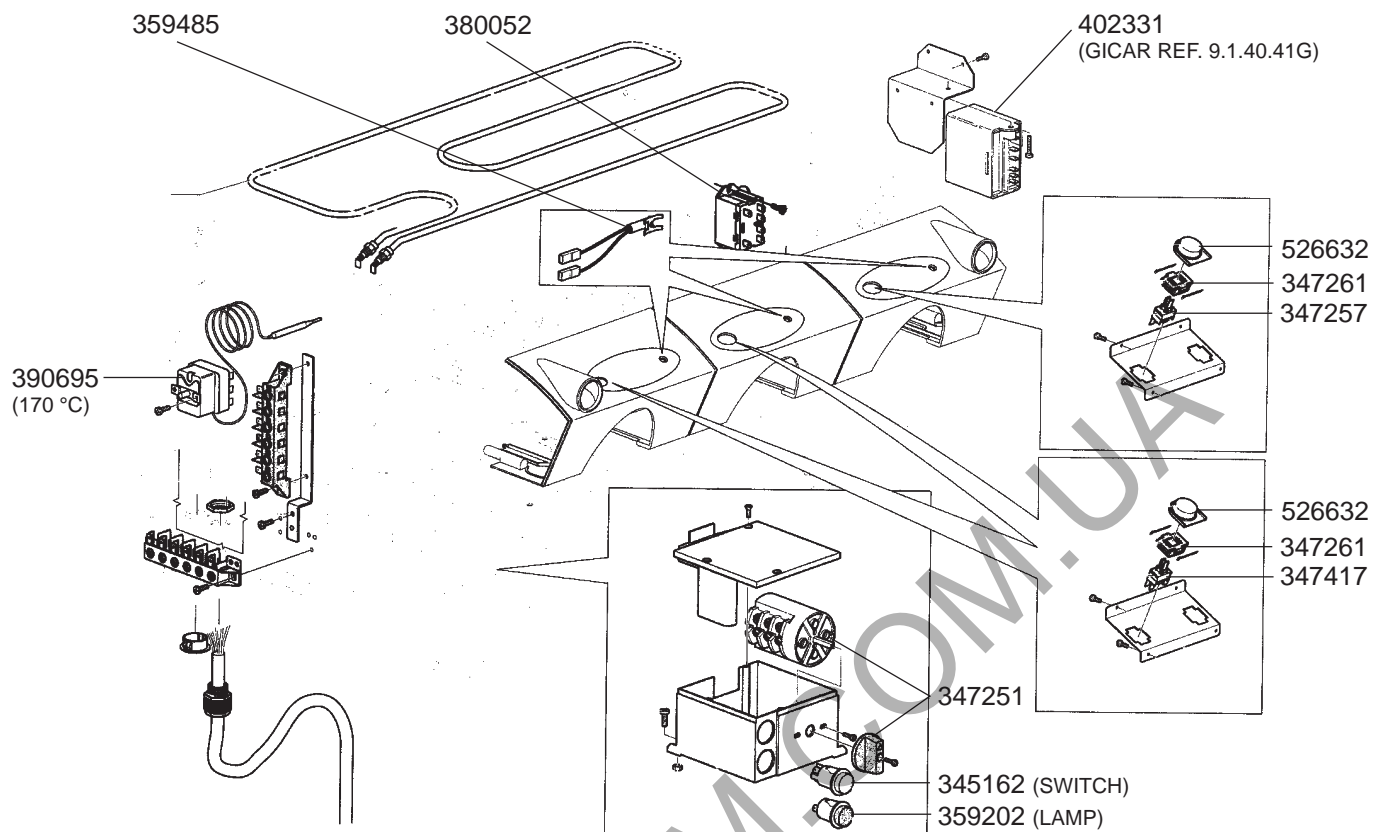
DRIP TRAYS/MANOMETERS



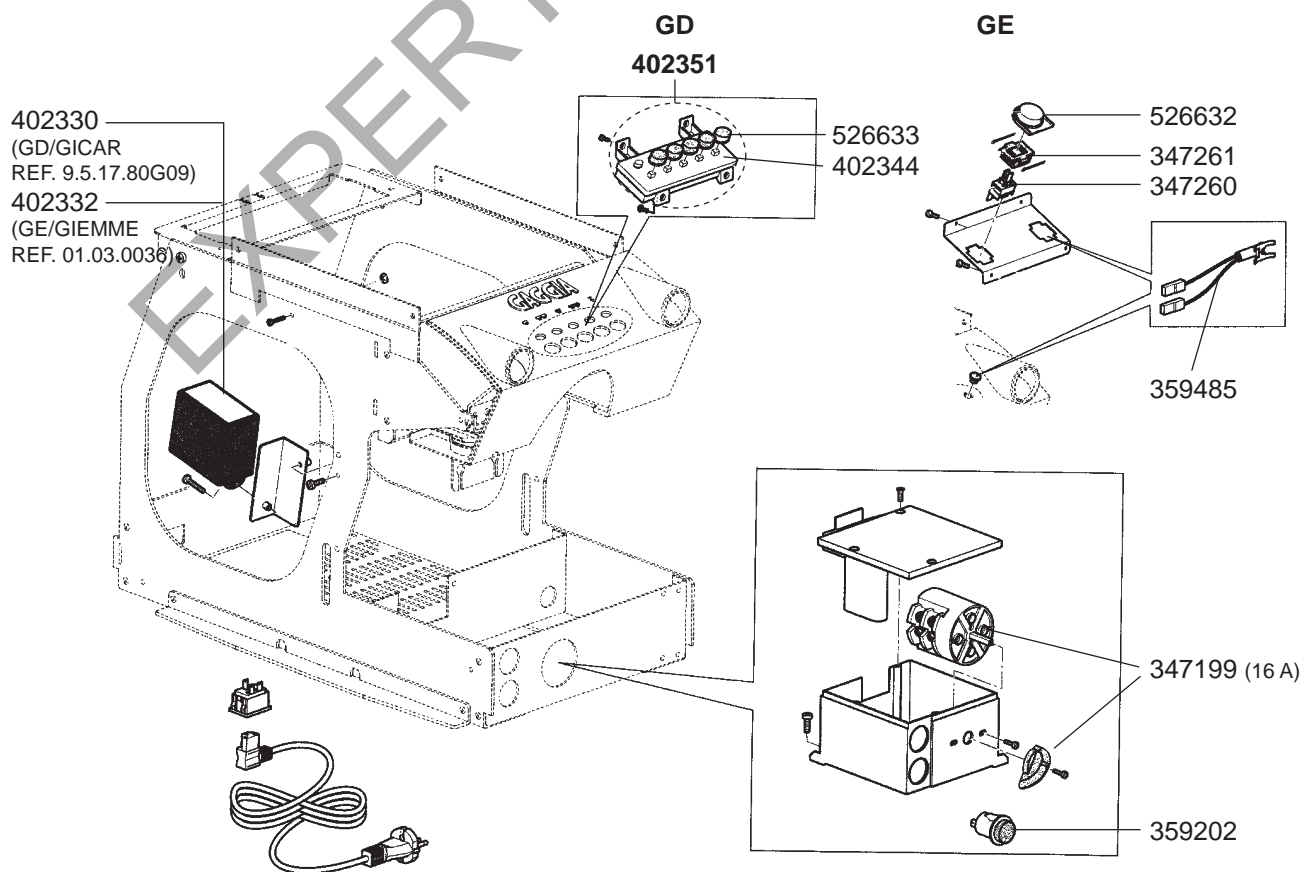
ELECTRICAL COMPONENTS GD/GD COMPACT



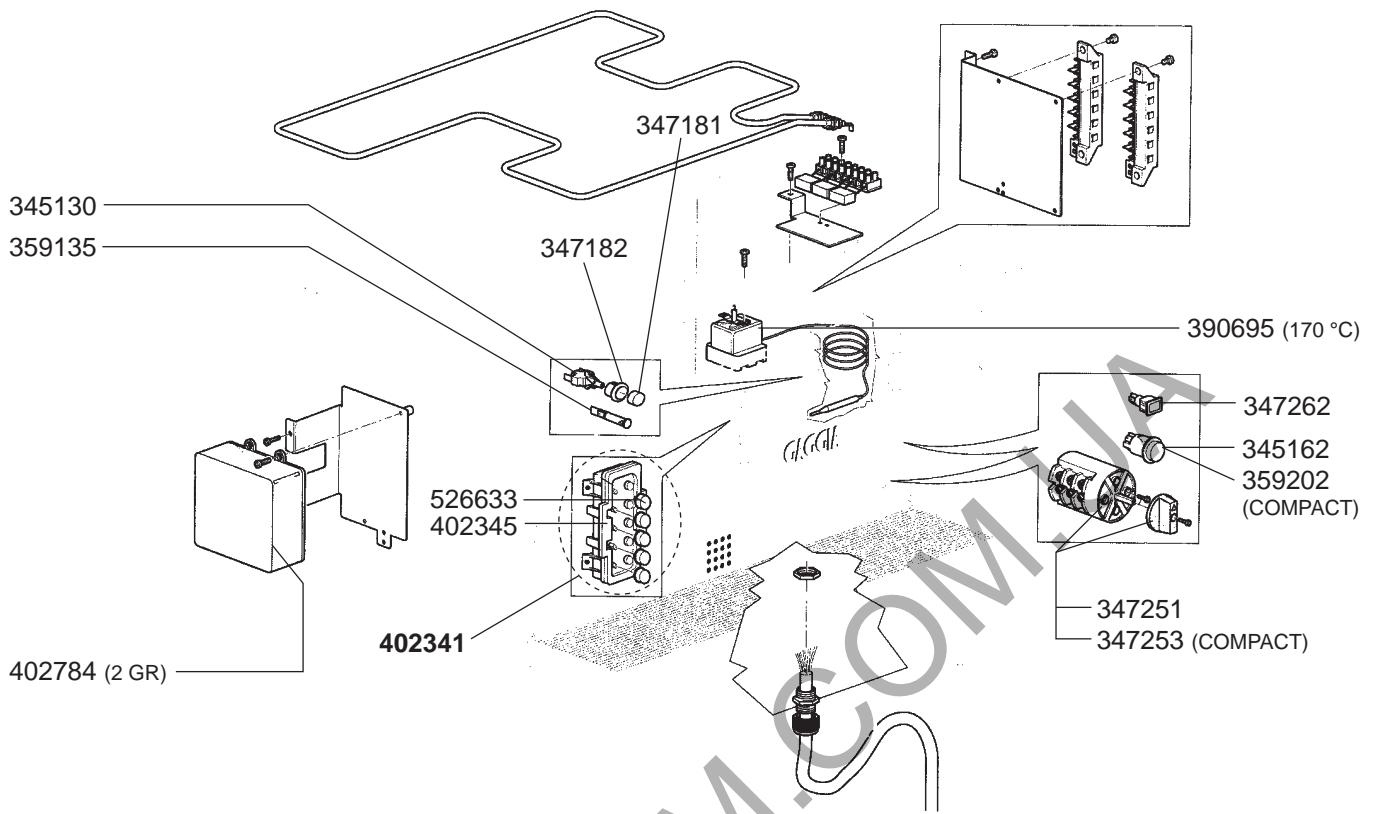
ELECTRICAL COMPONENTS GE/GE COMPACT



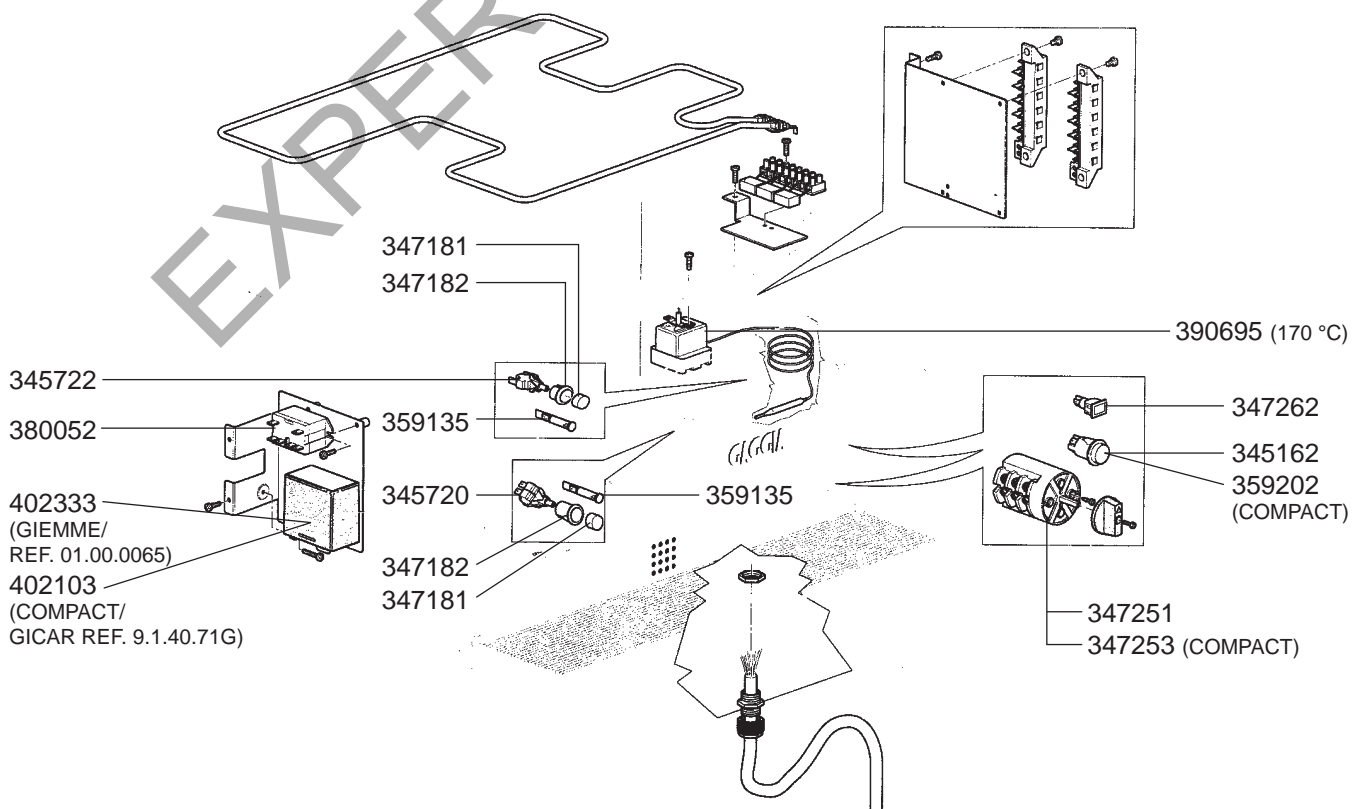
ELECTRICAL COMPONENTS GD-GE ONE



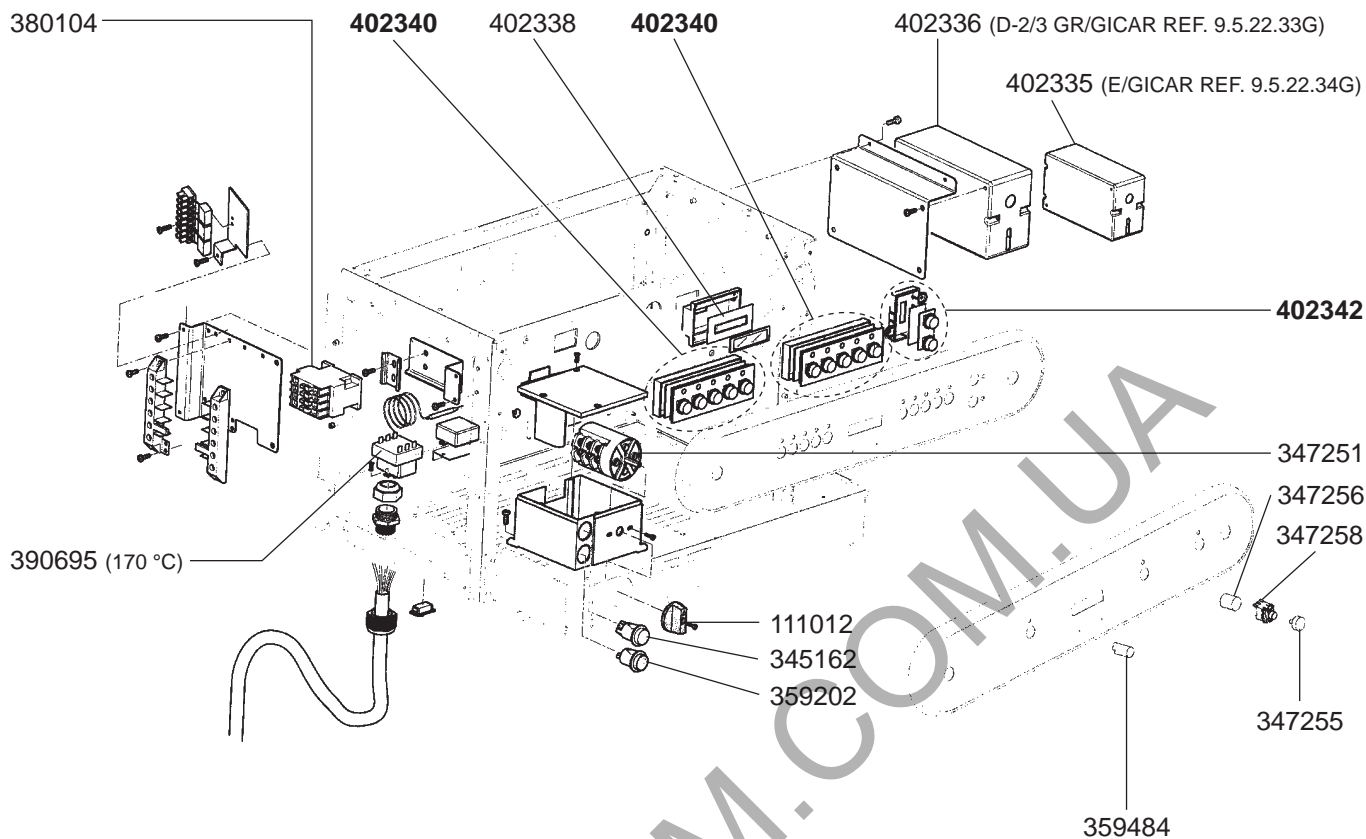
ELECTRICAL COMPONENTS XD EVOLUTION/XD EVOLUTION COMPACT



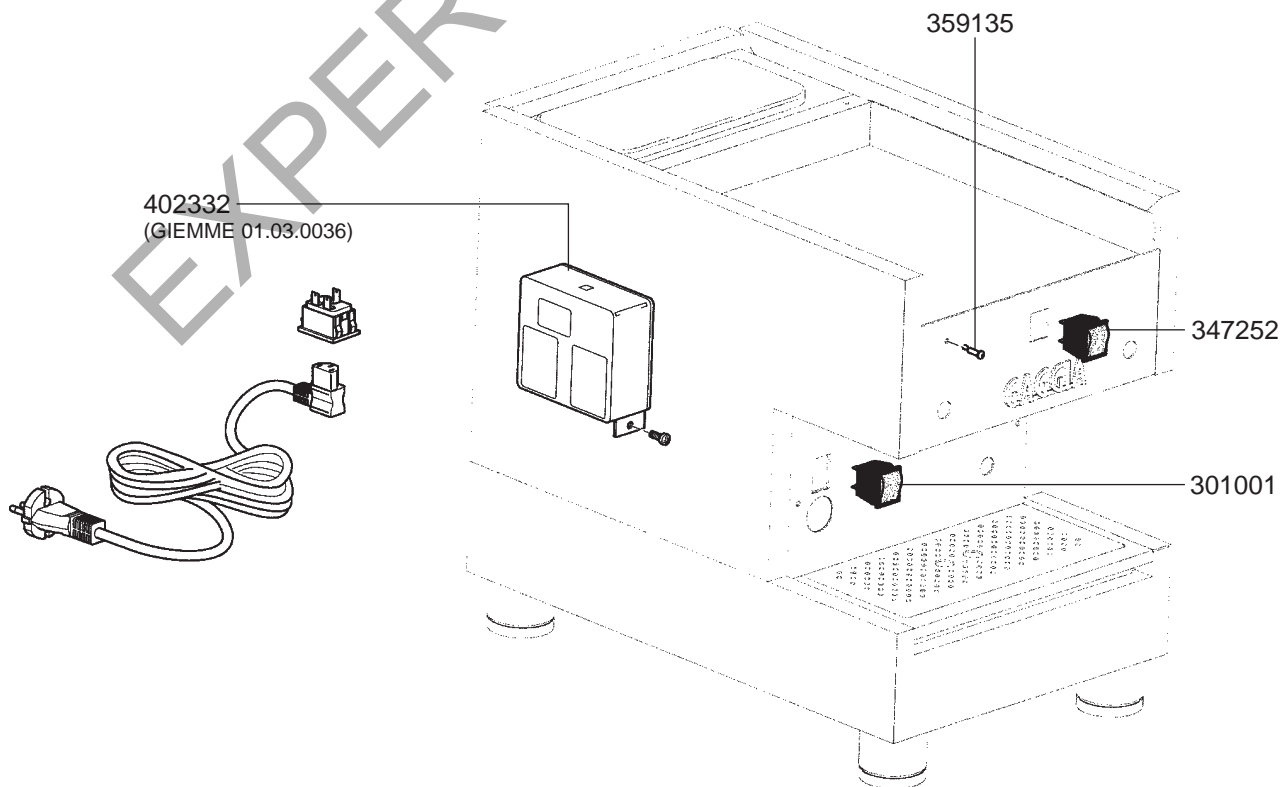
ELECTRICAL COMPONENTS XE EVOLUTION/XE EVOLUTION COMPACT



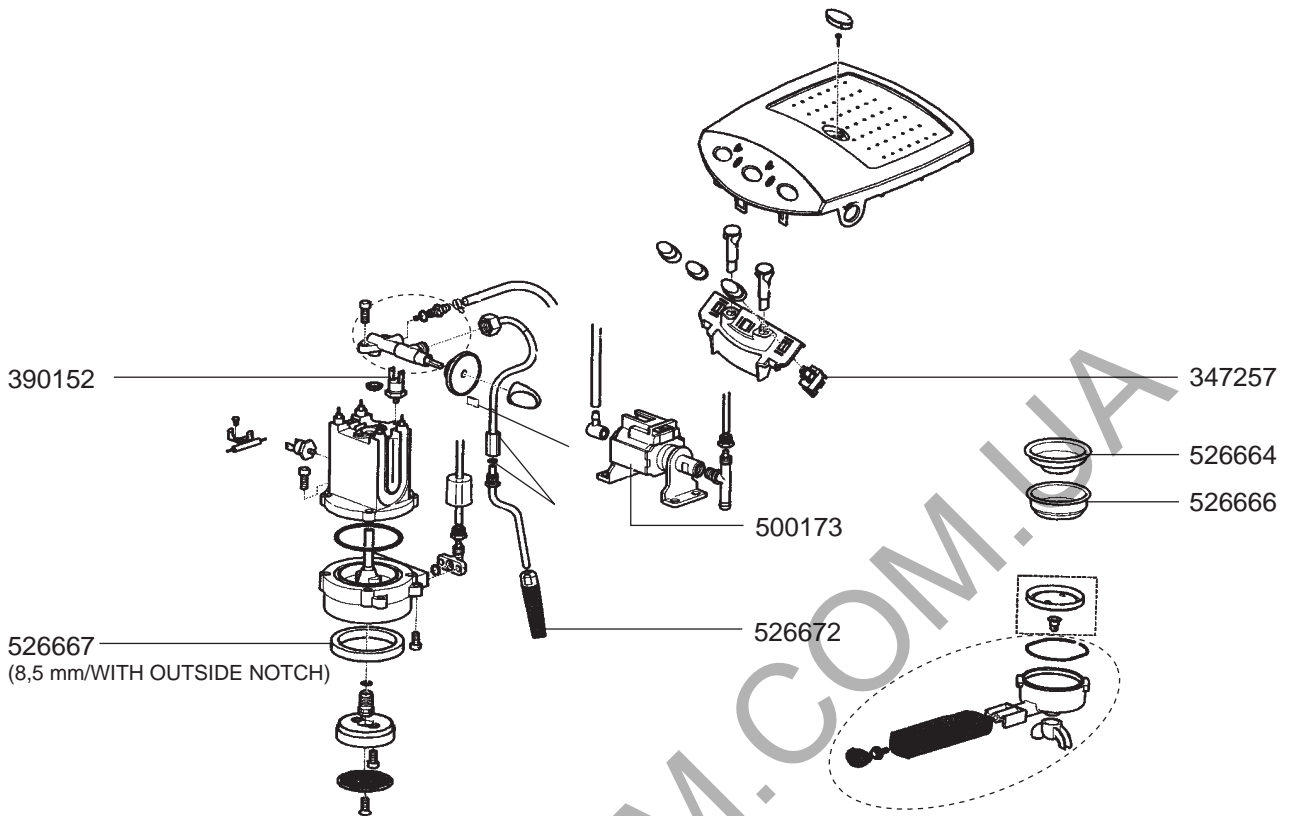
ELECTRICAL COMPONENTS DECO D-E



ELECTRICAL COMPONENTS TS



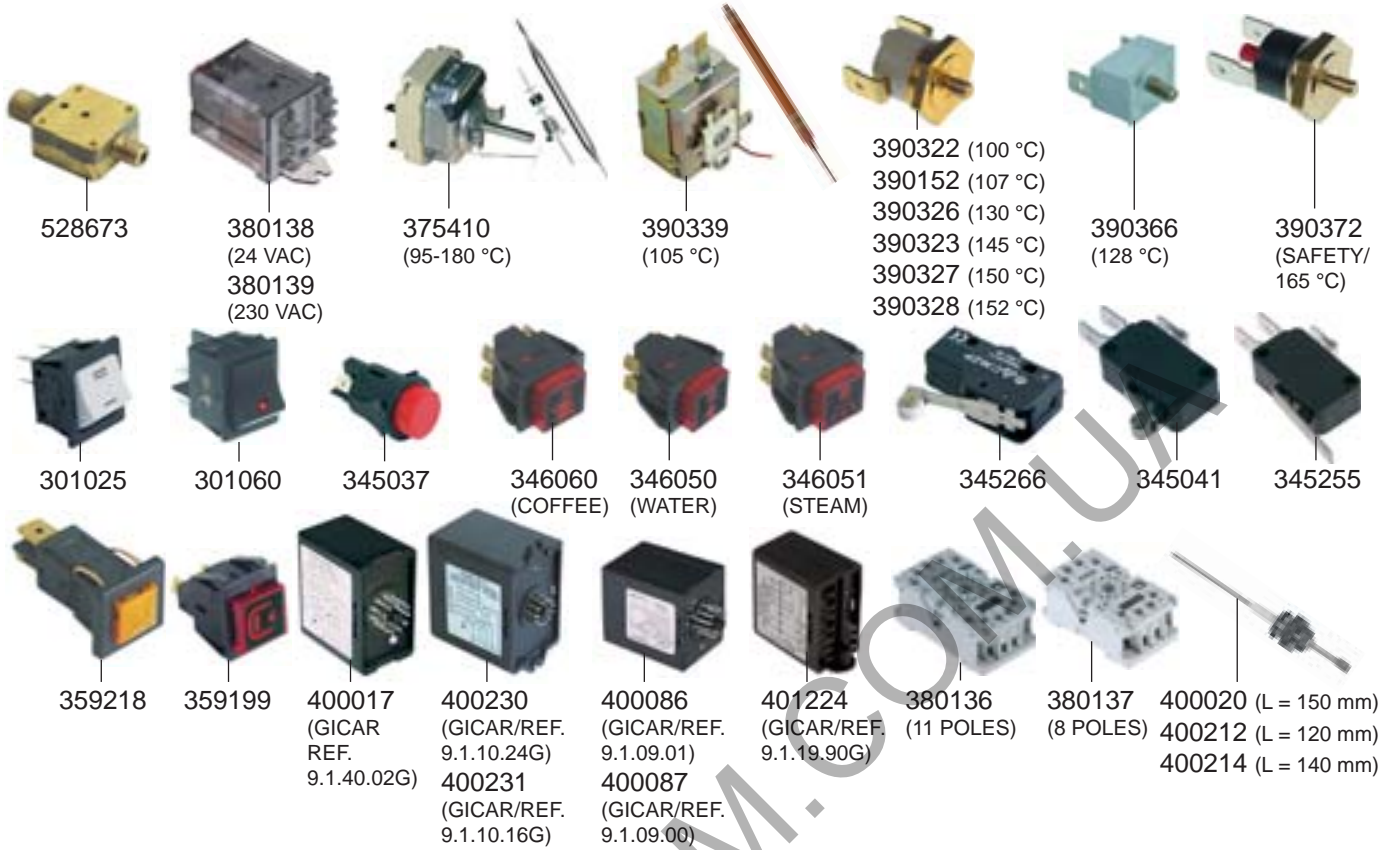
ELECTRICAL COMPONENTS EVOLUTION ESPRESSO



ELECTRICAL COMPONENTS VARIOUS



ELECTRICAL COMPONENTS VARIOUS



EXPERT-CM.COM