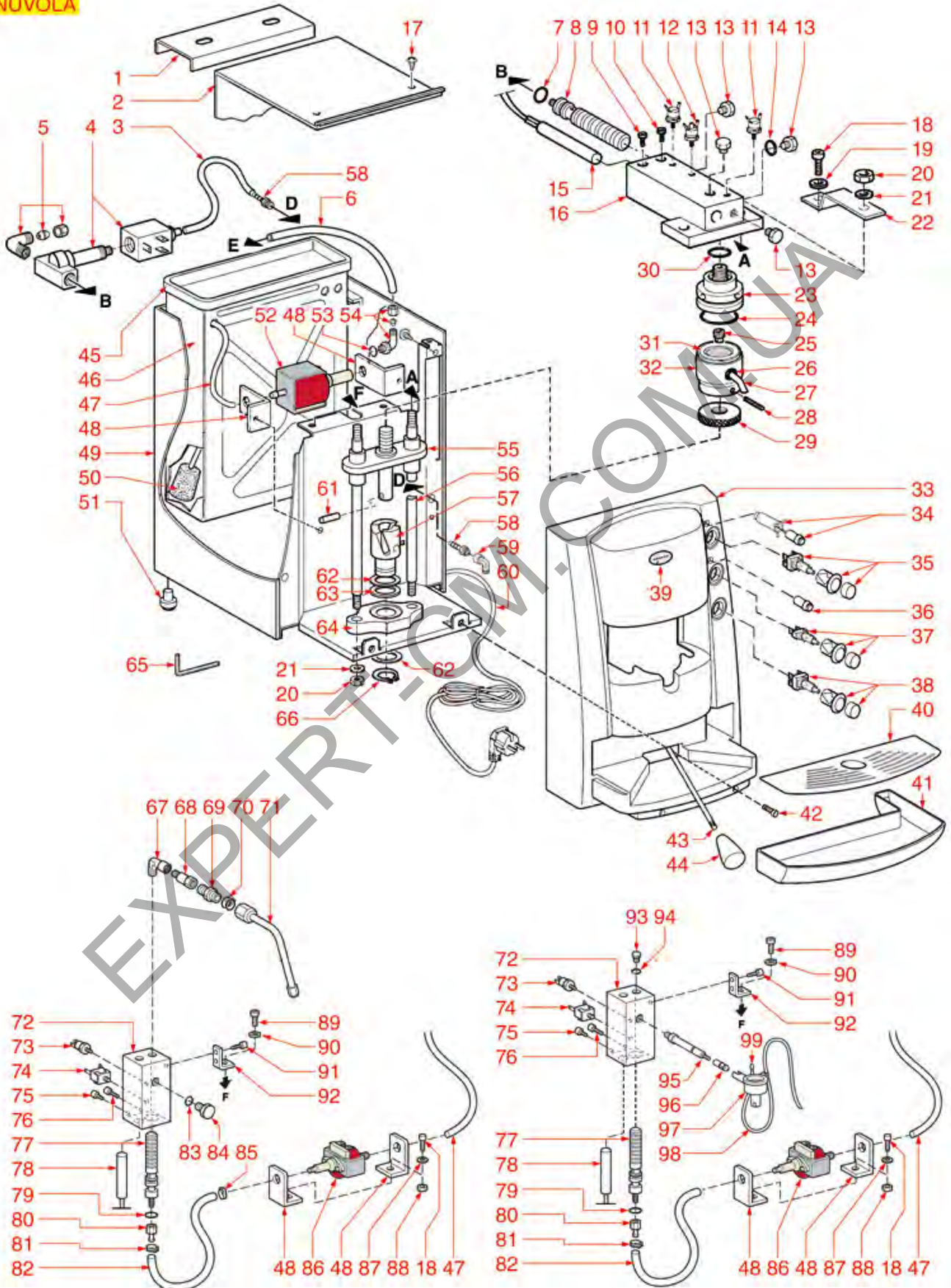




## POD COFFEE MACHINE NUVOLA

**NUVOLA**



GRCC0101

Positions without LF code no.: upon request



# GRIMAC

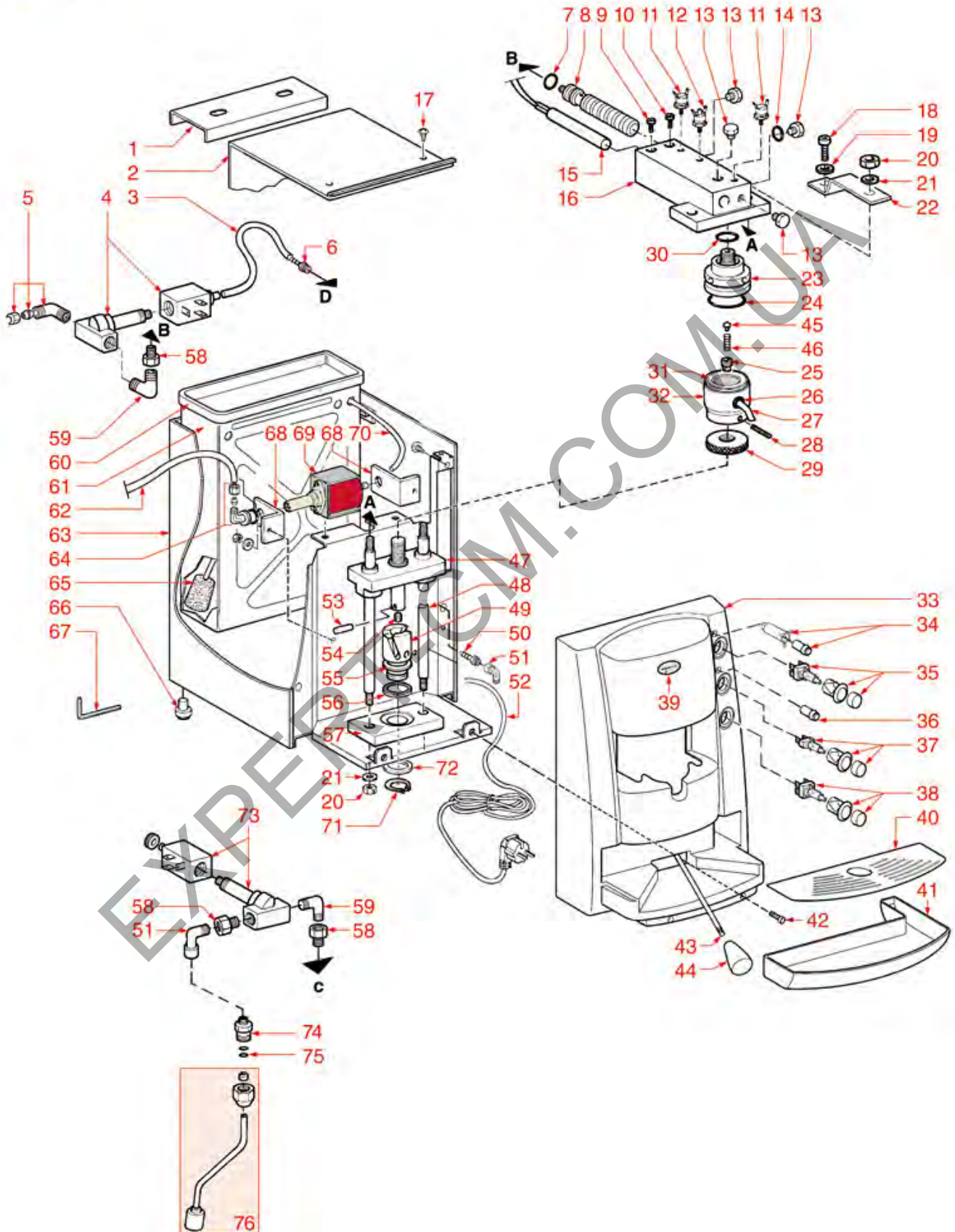


Position	LF code no.	Description
4	1120088	3-WAY SOLENOID VALVE PARKER 230V 50/60Hz
5	1349250	"L" COUPLING 1/8"M-1/8"M ø 6 mm
6	1449502	PTFE PIPE ø 4x6 mm - 10 m
7	1186805	O-RING 0115 EPDM
8	1324127	BRASS TORPEDO PIN
9	5034989	CYLINDER HEAD SCREW M4x8
10	1455034	CYLINDER HEAD SCREW M4x10
11	1444003	CONTACT THERMOSTAT 95°C M4
11	1444506	CONTACT THERMOSTAT 90°C M4
12	1444206	CONTACT THERMOSTAT 145°C M4
14	1786087	O-RING 02037 RED SILICONE
15	1755180	CARTRIDGE HEATING ELEMENT 500W 230V
18	5014713	CYLINDER HEAD SCREW M5x16
20	3060069	HEXAGONAL NUT M8 MEDIUM
24	1786117	O-RING 0147 VITON
25	1510001	GROUP DIFFUSER ø 11 mm M12x1 H12
26	1186411	O-RING 02031 EPDM
27	1022070	SINGLE SPOUT ø 8 mm
28	1528093	SCREWS NO HEAD WITH HEX. SOCKET M4x20
30	1186472	O-RING 04075 EPDM
31	1081043	SHOWER SCREEN ø 55 mm TY1 277 HOLES
31	1081067	SHOWER SCREEN ø 55 mm TY0 253 HOLES
31	1081068	SHOWER SCREEN ø 55 mm TY2 349 HOLES
31	1081069	SHOWER SCREEN ø 55 mm TY3 400 HOLES
31	1081070	SHOWER SCREEN ø 55 mm TY4 277 HOLES
32	1086020	SHOWER HOLDER SPRAYER
34	1221040	RED INDICATOR LIGHT 240V
35	1319391	COMPLETE BIPOLAR SWITCH 16A 250V
37	1319395	COMPLETE MONOPOLAR SWITCH 10A 250V
38	1319394	COMPLETE BIPOLAR PUSH-BUTTON 10A 250V
40	1185016	CHROME-PLATED CUP SHELF
41	1015018	BLACK DRIP TRAY
45	1080182	WATER CONTAINER LID
46	1080183	WATER CONTAINER 2L
47	1449281	SILICONE HOSE ø 4x7 SHORE 60 - 100 m
48	1331023	SQUARE DAMPER EX-EP-EK-EA
50	3010303	WATER SOFTENER FOR OCS NICAL 125
52	1122601	VIBRATORY PUMP EX5 41W 120V 60Hz
52	1122735	VIBRATORY PUMP EX5 48W 230V 50Hz
53	1186411	O-RING 02031 EPDM
54	1349251	"L" COUPLING ø 1/8"M-1/8"M COMPLETE
57	1324126	BRASS CAM PIN
58	1349653	HOSE-END FITTING ø 1/8"M ø 6 NICKEL
59	1349716	NICHEL PLATED L-FITTING ø 1/8"M-1/8"F
67	1349716	NICHEL PLATED L-FITTING ø 1/8"M-1/8"F
70	1186687	O-RING M 0080-20 VITON
71	1449176	ST.STEEL COMPLETE STEAM PIPE ø 8 mm
73	1444521	CONTACT THERMOSTAT 155°C M4
74	1443034	CONTACT THERMOSTAT 200°C M4
75	5034989	CYLINDER HEAD SCREW M4x8
77	1324127	BRASS TORPEDO PIN
78	1755181	CARTRIDGE HEATING ELEMENT 800W 230V
79	1186805	O-RING 0115 EPDM
81	3449147	HOSE CLAMP ø 9.6-11.3 mm
83	1786087	O-RING 02037 RED SILICONE
86	1331017	VIBRATORY PUMP NME 3S 16W 230V 50Hz
88	3528213	HEXAGONAL NUT MID M5
89	5014713	CYLINDER HEAD SCREW M5x16
91	1455034	CYLINDER HEAD SCREW M4x10
94	1786087	O-RING 02037 RED SILICONE
96	1079018	CAPPUCCINATORE CONNECTOR TUBE
97	1079001	COMPLETE SMALL CAPPUCCINATORE WHITE
98	1449280	SILICONE HOSE ø 3x5 SHORE 60 - 100 m
99	5500786	PIN FOR WHITE CAPPUCCINATORE



## POD COFFEE MACHINE TERRY

**TERRY**





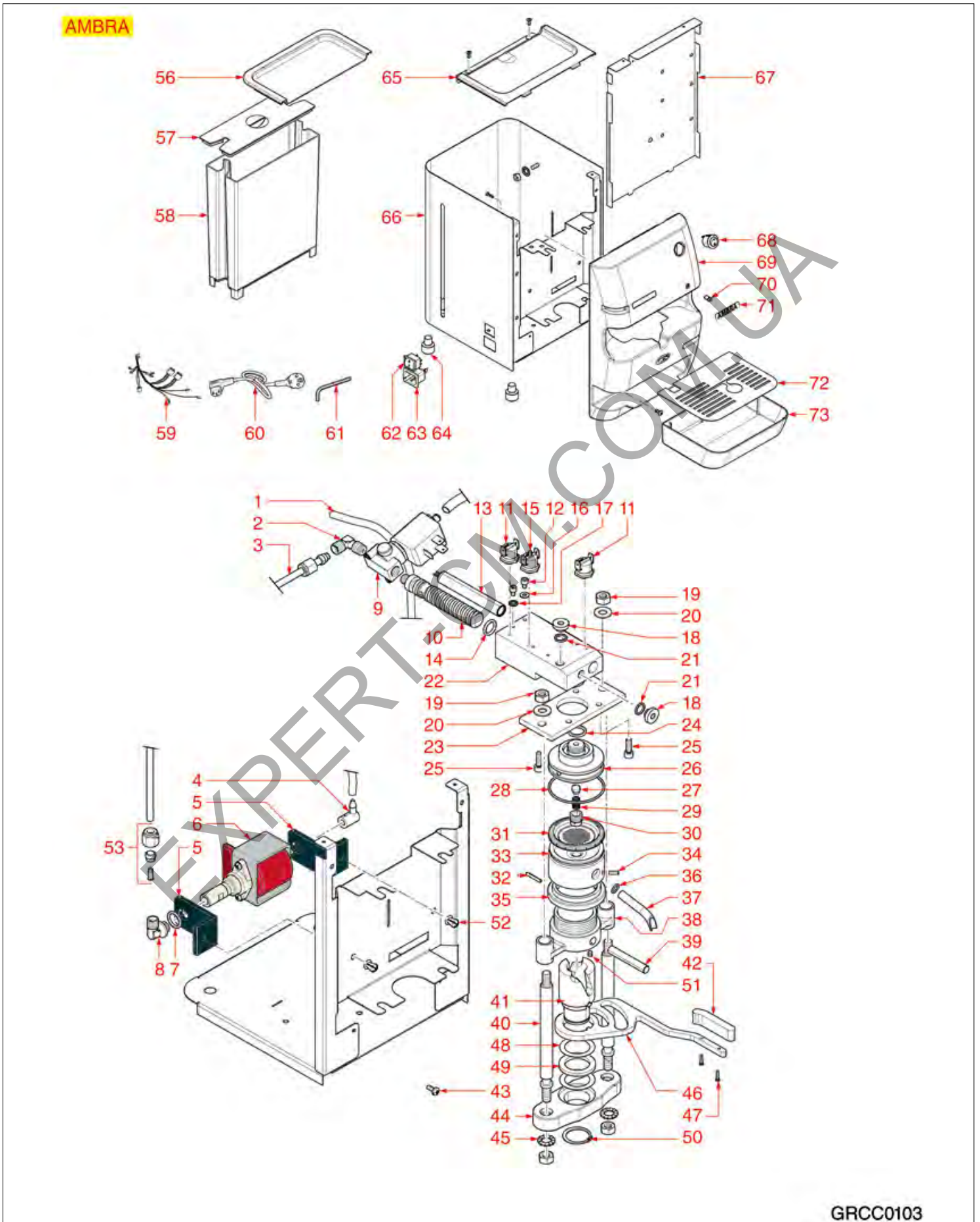
# GRIMAC



Position	LF code no.	Description
4	1120088	3-WAY SOLENOID VALVE PARKER 230V 50/60Hz
5	1349250	"L"COUPLING 1/8"M-1/8"M ø 6 mm
6	1349653	HOSE-END FITTING ø 1/8"M ø 6 NICKEL
7	1186805	O-RING 0115 EPDM
8	1324127	BRASS TORPEDO PIN
9	5034989	CYLINDER HEAD SCREW M4x8
10	1455034	CYLINDER HEAD SCREW M4x10
11	1444003	CONTACT THERMOSTAT 95°C M4
11	1444506	CONTACT THERMOSTAT 90°C M4
12	1444206	CONTACT THERMOSTAT 145°C M4
14	1786087	O-RING 02037 RED SILICONE
15	1755180	CARTRIDGE HEATING ELEMENT 500W 230V
18	5014713	CYLINDER HEAD SCREW M5x16
20	3060069	HEXAGONAL NUT M8 MEDIUM
24	1786117	O-RING 0147 VITON
25	1510001	GROUP DIFFUSER ø 11 mm M12x1 H12
26	1186411	O-RING 02031 EPDM
27	1022070	SINGLE SPOUT ø 8 mm
28	1528093	SCREWS NO HEAD WITH HEX. SOCKET M4x20
30	1186472	O-RING 04075 EPDM
31	1081043	SHOWER SCREEN ø 55 mm TY1 277 HOLES
31	1081067	SHOWER SCREEN ø 55 mm TY0 253 HOLES
31	1081068	SHOWER SCREEN ø 55 mm TY2 349 HOLES
31	1081069	SHOWER SCREEN ø 55 mm TY3 400 HOLES
31	1081070	SHOWER SCREEN ø 55 mm TY4 277 HOLES
32	1086020	SHOWER HOLDER SPRAYER
34	1221040	RED INDICATOR LIGHT 240V
35	1319391	COMPLETE BIPOLAR SWITCH 16A 250V
37	1319395	COMPLETE MONOPOLAR SWITCH 10A 250V
38	1319394	COMPLETE BIPOLAR PUSH-BUTTON 10A 250V
40	1185017	CHROME-PLATED CUP SHELF
41	1015017	BLACK DRIP TRAY
45	1786080	SILICONE MUSHROOM GASKET
46	1250286	SPRING ø 7.5x24 mm
49	1324126	BRASS CAM PIN
50	1349653	HOSE-END FITTING ø 1/8"M ø 6 NICKEL
51	1349716	NICHEL PLATED L-FITTING ø 1/8"M-1/8"F
59	1349013	L-FITTING ø 1/8"M-1/8"M NICKEL-PLATED
60	1080182	WATER CONTAINER LID
61	1080183	WATER CONTAINER 2L
62	1449502	PTFE PIPE ø 4x6 mm - 10 m
64	1349251	"L"COUPLING ø 1/8"M-1/8"M COMPLETE
65	3010303	WATER SOFTENER FOR OCS NICAL 125
68	1331023	SQUARE DAMPER EX-EP-EK-EA
69	1122601	VIBRATORY PUMP EX5 41W 120V 60Hz
69	1122735	VIBRATORY PUMP EX5 48W 230V 50Hz
70	1449281	SILICONE HOSE ø 4x7 SHORE 60 - 100 m
73	1120501	2-WAY SOLENOID VALVE M&M 230/240V 50Hz
75	1186611	O-RING 02025 RED SILICONE



## POD COFFEE MACHINE AMBRA



GRCC0103



# GRIMAC



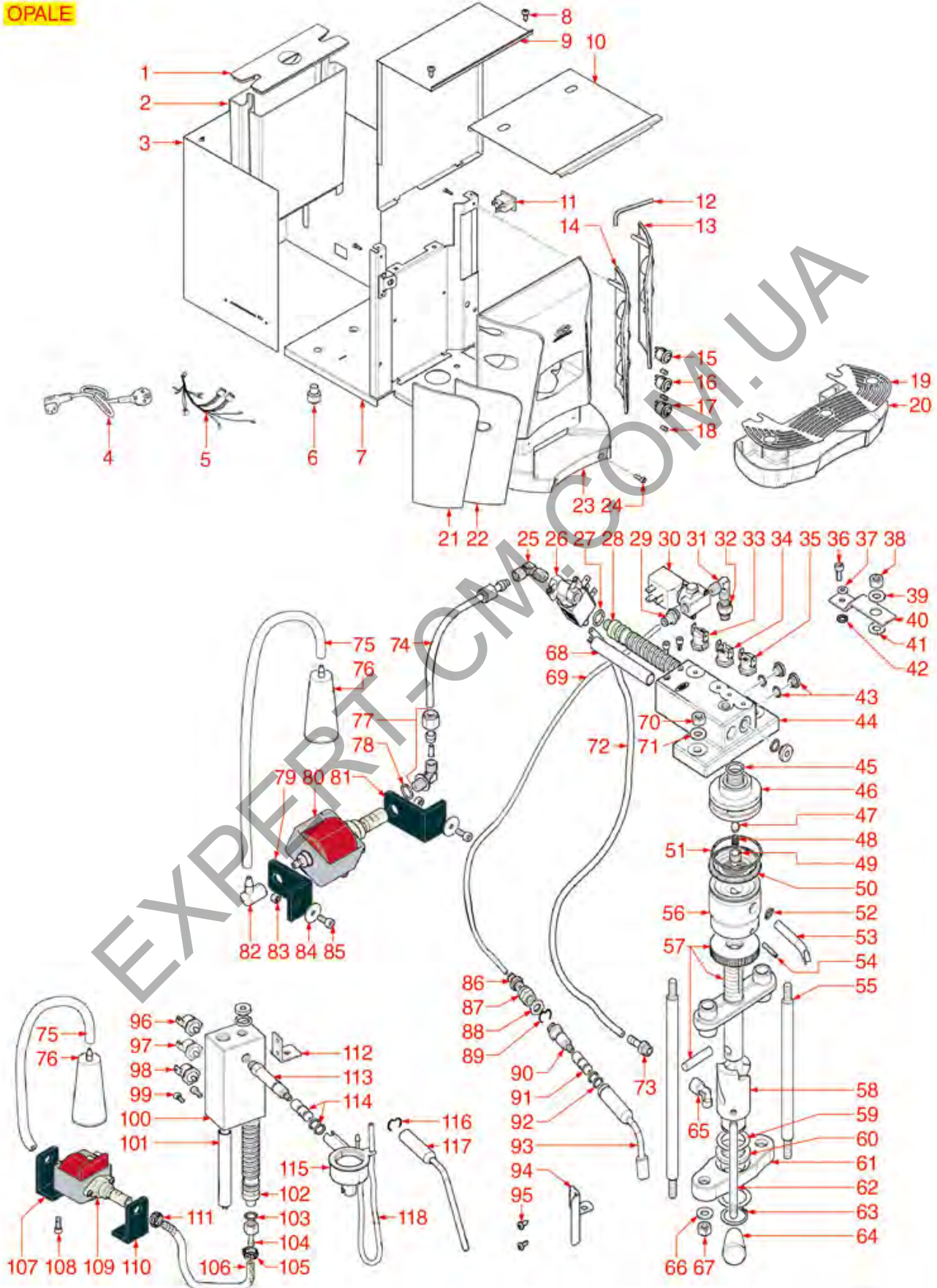
Position	LF code no.	Description
1	1449281	SILICONE HOSE $\varnothing$ 4x7 SHORE 60 - 100 m
1	1449681	SILICONE HOSE $\varnothing$ 4x7 SHORE 60 - 5 m
2	1349250	"L"COUPLING 1/8"M-1/8"M $\varnothing$ 6 mm
3	1449502	PTFE PIPE $\varnothing$ 4x6 mm - 10 m
4	1349651	PIPETTE FITTING 90°
5	1331023	SQUARE DAMPER EX-EP-EK-EA
6	1122735	VIBRATORY PUMP EX5 48W 230V 50Hz
7	1186411	O-RING 02031 EPDM
8	1349251	"L"COUPLING $\varnothing$ 1/8"M-1/8"M COMPLETE
9	1120169	3-WAY SOLENOID VALVE AE 240V 50Hz 13VA
11	1444003	CONTACT THERMOSTAT 95°C M4
13	1755180	CARTRIDGE HEATING ELEMENT 500W 230V
14	1186805	O-RING 0115 EPDM
15	1444206	CONTACT THERMOSTAT 145°C M4
19	3060069	HEXAGONAL NUT M8 MEDIUM
24	1186472	O-RING 04075 EPDM
25	5014713	CYLINDER HEAD SCREW M5x16
27	1786080	SILICONE MUSHROOM GASKET
28	1786117	O-RING 0147 VITON
30	1510001	GROUP DIFFUSER $\varnothing$ 11 mm M12x1 H12
31	1081043	SHOWER SCREEN $\varnothing$ 55 mm TY1 277 HOLES
31	1081067	SHOWER SCREEN $\varnothing$ 55 mm TY0 253 HOLES
31	1081068	SHOWER SCREEN $\varnothing$ 55 mm TY2 349 HOLES
31	1081069	SHOWER SCREEN $\varnothing$ 55 mm TY3 400 HOLES
31	1081070	SHOWER SCREEN $\varnothing$ 55 mm TY4 277 HOLES
36	1186411	O-RING 02031 EPDM
37	1022069	SINGLE SPOUT $\varnothing$ 8 mm
57	1080182	WATER CONTAINER LID
58	1080183	WATER CONTAINER 2L
62	1319392	BLACK BIPOLAR SWITCH 10A 250V
68	1319393	BLACK MONOPOLAR SWITCH 10A 250V
70	1221040	RED INDICATOR LIGHT 240V

EXPERT-CM.COM.UA



## POD COFFEE MACHINE OPALE

**OPALE**



GRCC0104

Positions without LF code no.: upon request



# GRIMAC

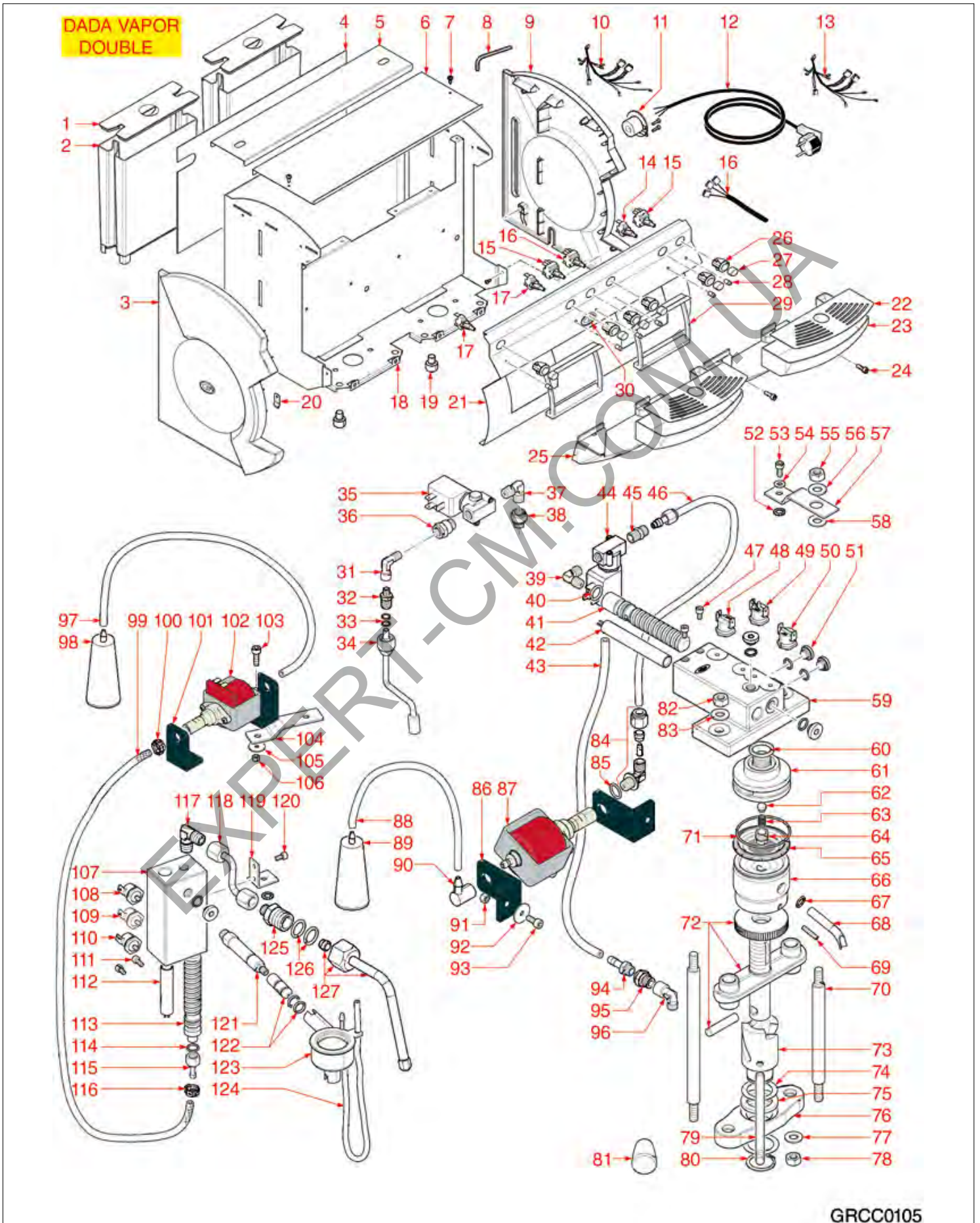


Pos.	LF code no.	Description	Pos.	LF code no.	Description
1	1080182	WATER CONTAINER LID	110	1331023	SQUARE DAMPER EX-EP-EK-EA
2	1080183	WATER CONTAINER 2L	114	1079018	CAPPUCCINATORE CONNECTOR TUBE
16	1319393	BLACK MONOPOLAR SWITCH 10A 250V	115	1079008	COMPLETE SMALL BLACK CAPPUCCINATORE
18	1221040	RED INDICATOR LIGHT 240V	118	1449280	SILICONE HOSE $\varnothing$ 3x5 SHORE 60 - 100 m
25	1349250	"L"COUPLING 1/8"M-1/8"M $\varnothing$ 6 mm	118	1449680	SILICONE HOSE $\varnothing$ 3x5 SHORE 60 - 10 m
26	1120169	3-WAY SOLENOID VALVE AE 240V 50Hz 13VA			
27	1186805	O-RING 0115 EPDM			
28	1324127	BRASS TORPEDO PIN			
30	1120501	2-WAY SOLENOID VALVE M&M 230/240V 50Hz			
31	1349013	L-FITTING $\varnothing$ 1/8"M-1/8"M NICKEL-PLATED			
33	1444003	CONTACT THERMOSTAT 95°C M4			
33	1444506	CONTACT THERMOSTAT 90°C M4			
34	1444206	CONTACT THERMOSTAT 145°C M4			
35	1444003	CONTACT THERMOSTAT 95°C M4			
35	1444506	CONTACT THERMOSTAT 90°C M4			
36	5014713	CYLINDER HEAD SCREW M5x16			
38	3060069	HEXAGONAL NUT M8 MEDIUM			
45	1186472	O-RING 04075 EPDM			
47	1786080	SILICONE MUSHROOM GASKET			
48	1250286	SPRING $\varnothing$ 7.5x24 mm			
49	1510001	GROUP DIFFUSER $\varnothing$ 11 mm M12x1 H12			
50	1081043	SHOWER SCREEN $\varnothing$ 55 mm TY1 277 HOLES			
50	1081067	SHOWER SCREEN $\varnothing$ 55 mm TY0 253 HOLES			
50	1081068	SHOWER SCREEN $\varnothing$ 55 mm TY2 349 HOLES			
50	1081069	SHOWER SCREEN $\varnothing$ 55 mm TY3 400 HOLES			
50	1081070	SHOWER SCREEN $\varnothing$ 55 mm TY4 277 HOLES			
50	1081076	SHOWER SCREEN $\varnothing$ 55 mm TYA 177 HOLES			
51	1786117	O-RING 0147 VITON			
52	1186411	O-RING 02031 EPDM			
53	1022070	SINGLE SPOUT $\varnothing$ 8 mm			
54	1528093	SCREWS NO HEAD WITH HEX. SOCKET M4x20			
56	1086020	SHOWER HOLDER SPRAYER			
58	1324126	BRASS CAM PIN			
65	1349716	NICHEL PLATED L-FITTING $\varnothing$ 1/8"M-1/8"F			
67	3060069	HEXAGONAL NUT M8 MEDIUM			
68	1755180	CARTRIDGE HEATING ELEMENT 500W 230V			
69	1449281	SILICONE HOSE $\varnothing$ 4x7 SHORE 60 - 100 m			
69	1449681	SILICONE HOSE $\varnothing$ 4x7 SHORE 60 - 5 m			
70	3060069	HEXAGONAL NUT M8 MEDIUM			
72	1449281	SILICONE HOSE $\varnothing$ 4x7 SHORE 60 - 100 m			
72	1449681	SILICONE HOSE $\varnothing$ 4x7 SHORE 60 - 5 m			
73	1349653	HOSE-END FITTING $\varnothing$ 1/8"M $\varnothing$ 6 NICKEL			
74	1449502	PTFE PIPE $\varnothing$ 4x6 mm - 10 m			
75	1449281	SILICONE HOSE $\varnothing$ 4x7 SHORE 60 - 100 m			
75	1449681	SILICONE HOSE $\varnothing$ 4x7 SHORE 60 - 5 m			
76	3010303	WATER SOFTENER FOR OCS NICAL 125			
77	1349174	OLIVE $\varnothing$ 4 mm H10			
77	1349184	OLIVE $\varnothing$ 6 mm H7			
77	1349251	"L"COUPLING $\varnothing$ 1/8"M-1/8"M COMPLETE			
78	1186411	O-RING 02031 EPDM			
79	1331023	SQUARE DAMPER EX-EP-EK-EA			
80	1122601	VIBRATORY PUMP EX5 41W 120V 60Hz			
80	1122735	VIBRATORY PUMP EX5 48W 230V 50Hz			
81	1331023	SQUARE DAMPER EX-EP-EK-EA			
82	1349651	PIPETTE FITTING 90°			
83	3528213	HEXAGONAL NUT MID M5			
85	5014713	CYLINDER HEAD SCREW M5x16			
91	1079018	CAPPUCCINATORE CONNECTOR TUBE			
96	1444521	CONTACT THERMOSTAT 155°C M4			
98	1443034	CONTACT THERMOSTAT 200°C M4			
99	5034989	CYLINDER HEAD SCREW M4x8			
101	1755181	CARTRIDGE HEATING ELEMENT 800W 230V			
102	1324127	BRASS TORPEDO PIN			
103	1186805	O-RING 0115 EPDM			
107	1331023	SQUARE DAMPER EX-EP-EK-EA			
109	1331017	VIBRATORY PUMP NME 3S 16W 230V 50Hz			





## POD COFFEE MACHINE DADA VAPOR DOUBLE



GRCC0105

Positions without LF code no.: upon request



# GRIMAC

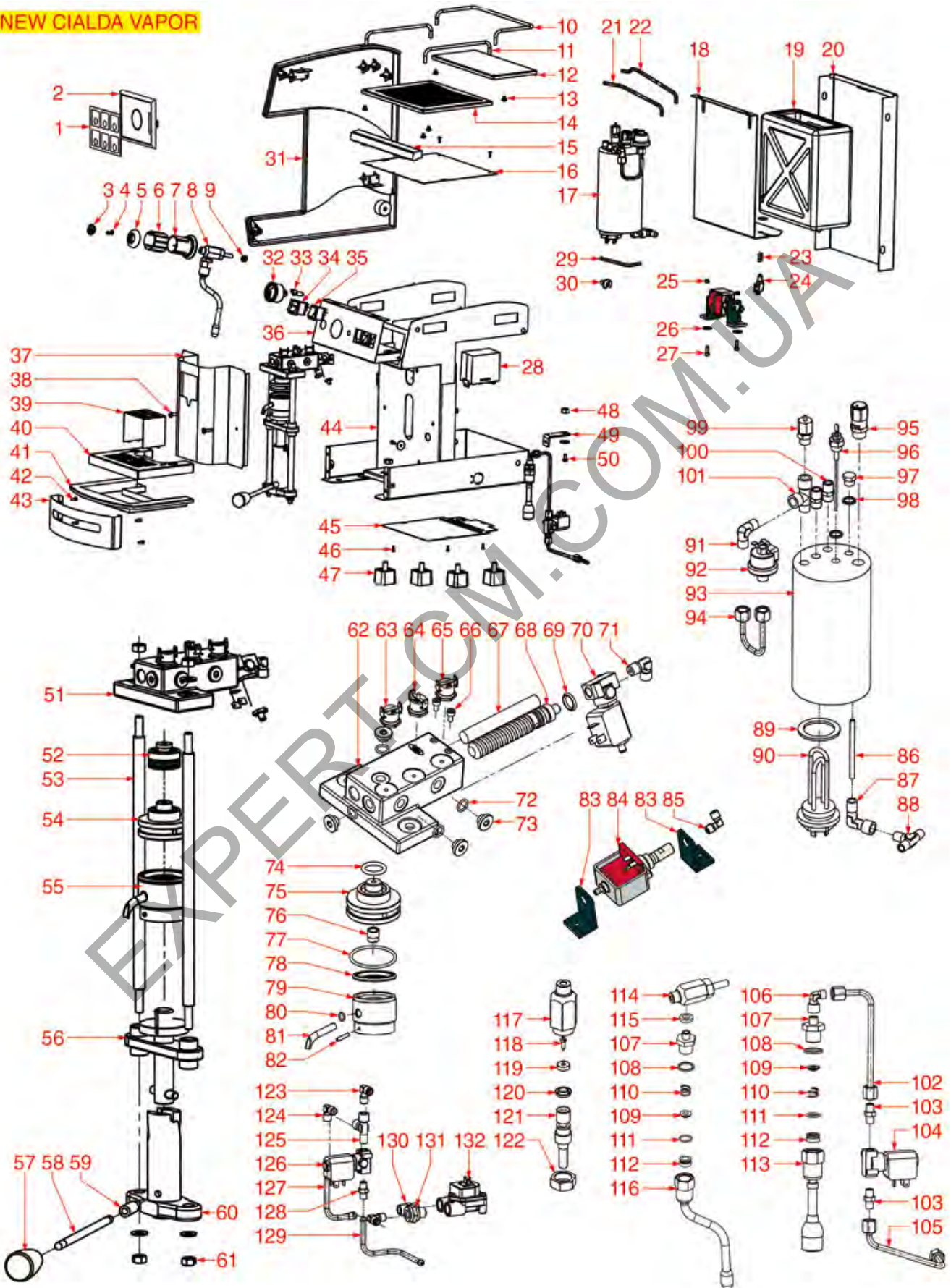


Pos.	LF code no.	Description	Pos.	LF code no.	Description
1	1080182	WATER CONTAINER LID	110	1444206	CONTACT THERMOSTAT 145°C M4
2	1080183	WATER CONTAINER 2L	111	1455034	CYLINDER HEAD SCREW M4x10
14	3319921	SINGLE-POLE SWITCH 16A 250V	112	1755181	CARTRIDGE HEATING ELEMENT 800W 230V
15	1319394	COMPLETE BIPOLAR PUSH-BUTTON 10A 250V	113	1324127	BRASS TORPEDO PIN
16	1319005	BIPOLAR SWITCH 16A 250V	114	1186805	O-RING 0115 EPDM
17	3319921	SINGLE-POLE SWITCH 16A 250V	117	1349013	L-FITTING $\varnothing$ 1/8"M-1/8"M NICKEL-PLATED
22	1185017	CHROME-PLATED CUP SHELF	120	5034989	CYLINDER HEAD SCREW M4x8
28	1221040	RED INDICATOR LIGHT 240V	122	1079018	CAPPUCCINATORE CONNECTOR TUBE
31	1349716	NICHEL PLATED L-FITTING $\varnothing$ 1/8"M-1/8"F	123	1079008	COMPLETE SMALL BLACK CAPPUCCINATORE
33	1186611	O-RING 02025 RED SILICONE	124	1449280	SILICONE HOSE $\varnothing$ 3x5 SHORE 60 - 100 m
35	1120501	2-WAY SOLENOID VALVE M&M 230/240V 50Hz	124	1449680	SILICONE HOSE $\varnothing$ 3x5 SHORE 60 - 10 m
37	1349013	L-FITTING $\varnothing$ 1/8"M-1/8"M NICKEL-PLATED	126	1186687	O-RING M 0080-20 VITON
39	1349013	L-FITTING $\varnothing$ 1/8"M-1/8"M NICKEL-PLATED	127	1449176	ST.STEEL COMPLETE STEAM PIPE $\varnothing$ 8 mm
40	1186805	O-RING 0115 EPDM			
42	1755180	CARTRIDGE HEATING ELEMENT 500W 230V			
43	1449281	SILICONE HOSE $\varnothing$ 4x7 SHORE 60 - 100 m			
43	1449681	SILICONE HOSE $\varnothing$ 4x7 SHORE 60 - 5 m			
44	1120169	3-WAY SOLENOID VALVE AE 240V 50Hz 13VA			
46	1449502	PTFE PIPE $\varnothing$ 4x6 mm - 10 m			
47	5034989	CYLINDER HEAD SCREW M4x8			
48	1444003	CONTACT THERMOSTAT 95°C M4			
48	1444506	CONTACT THERMOSTAT 90°C M4			
50	1444003	CONTACT THERMOSTAT 95°C M4			
50	1444506	CONTACT THERMOSTAT 90°C M4			
53	5014713	CYLINDER HEAD SCREW M5x16			
55	3060069	HEXAGONAL NUT M8 MEDIUM			
60	1186472	O-RING 04075 EPDM			
62	1786080	SILICONE MUSHROOM GASKET			
63	1250286	SPRING $\varnothing$ 7.5x24 mm			
64	1510001	GROUP DIFFUSER $\varnothing$ 11 mm M12x1 H12			
65	1081043	SHOWER SCREEN $\varnothing$ 55 mm TY1 277 HOLES			
65	1081067	SHOWER SCREEN $\varnothing$ 55 mm TY0 253 HOLES			
65	1081068	SHOWER SCREEN $\varnothing$ 55 mm TY2 349 HOLES			
65	1081069	SHOWER SCREEN $\varnothing$ 55 mm TY3 400 HOLES			
65	1081070	SHOWER SCREEN $\varnothing$ 55 mm TY4 277 HOLES			
65	1081076	SHOWER SCREEN $\varnothing$ 55 mm TYA 177 HOLES			
66	1086020	SHOWER HOLDER SPRAYER			
67	1186411	O-RING 02031 EPDM			
68	1022070	SINGLE SPOUT $\varnothing$ 8 mm			
69	1528093	SCREWS NO HEAD WITH HEX. SOCKET M4x20			
71	1786117	O-RING 0147 VITON			
73	1324126	BRASS CAM PIN			
78	3060069	HEXAGONAL NUT M8 MEDIUM			
82	3060069	HEXAGONAL NUT M8 MEDIUM			
84	1349174	OLIVE $\varnothing$ 4 mm H10			
84	1349184	OLIVE $\varnothing$ 6 mm H7			
84	1349251	"L" COUPLING $\varnothing$ 1/8"M-1/8"M COMPLETE			
85	1186411	O-RING 02031 EPDM			
86	1331023	SQUARE DAMPER EX-EP-EK-EA			
87	1122601	VIBRATORY PUMP EX5 41W 120V 60Hz			
87	1122735	VIBRATORY PUMP EX5 48W 230V 50Hz			
88	1449281	SILICONE HOSE $\varnothing$ 4x7 SHORE 60 - 100 m			
88	1449681	SILICONE HOSE $\varnothing$ 4x7 SHORE 60 - 5 m			
89	3010303	WATER SOFTENER FOR OCS NICAL 125			
90	1349651	PIPETTE FITTING 90°			
91	3528213	HEXAGONAL NUT MID M5			
93	5014713	CYLINDER HEAD SCREW M5x16			
94	1349653	HOSE-END FITTING $\varnothing$ 1/8"M $\varnothing$ 6 NICKEL			
96	1349716	NICHEL PLATED L-FITTING $\varnothing$ 1/8"M-1/8"F			
97	1449281	SILICONE HOSE $\varnothing$ 4x7 SHORE 60 - 100 m			
97	1449681	SILICONE HOSE $\varnothing$ 4x7 SHORE 60 - 5 m			
98	3010303	WATER SOFTENER FOR OCS NICAL 125			
101	1331023	SQUARE DAMPER EX-EP-EK-EA			
102	1331017	VIBRATORY PUMP NME 3S 16W 230V 50Hz			
106	3528213	HEXAGONAL NUT MID M5			
108	1444521	CONTACT THERMOSTAT 155°C M4			



## POD COFFEE MACHINE NEW CIALDA VAPOR

### NEW CIALDA VAPOR



GRCC0106

Positions without LF code no.: upon request



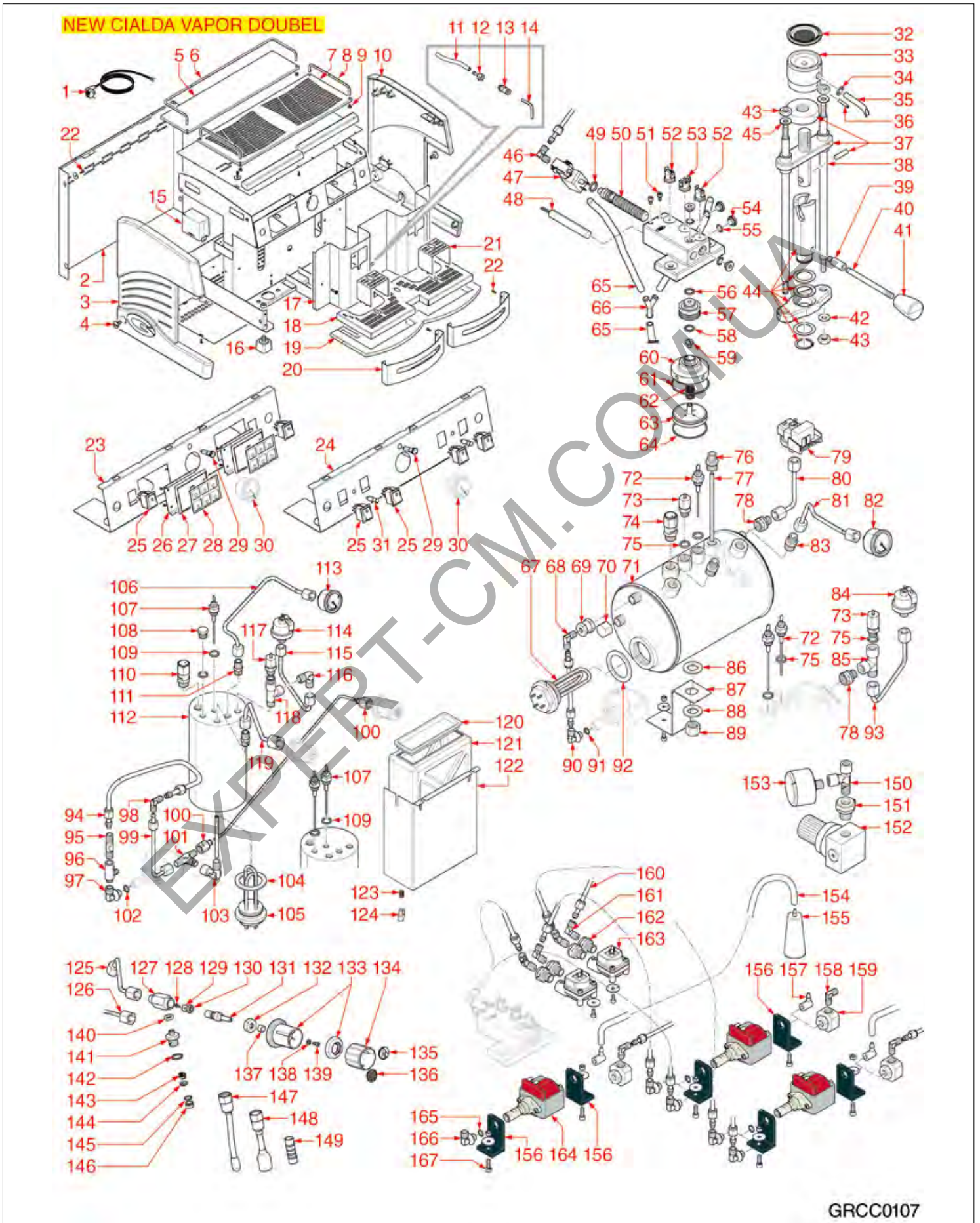
# GRIMAC



Position	LF code no.	Description
3	1241601	STEAM CAP FOR KNOB
5	1241164	STEAM TAP KNOB
5	1241165	WATER TAP KNOB
6	1241164	STEAM TAP KNOB
6	1241165	WATER TAP KNOB
25	3528213	HEXAGONAL NUT MID M5
27	5014713	CYLINDER HEAD SCREW M5x16
28	1341036	LEVEL REGULATOR MFC2SG 220V
32	1245044	BOILER PRESSURE GAUGE $\varnothing$ 41 mm 0-2,5 bar
33	3221080	RED INDICATOR LAMP 230V
34	1319806	BLACK BIPOLAR SWITCH 16A 250V
34	1319809	BLACK BIPOLAR SWITCH 16A 250V
35	3319294	BLACK BIPOLAR SWITCH 16A 250V
42	1455034	CYLINDER HEAD SCREW M4x10
61	3060069	HEXAGONAL NUT M8 MEDIUM
63	1444003	CONTACT THERMOSTAT 95°C M4
64	1444206	CONTACT THERMOSTAT 145°C M4
65	1444003	CONTACT THERMOSTAT 95°C M4
66	5034989	CYLINDER HEAD SCREW M4x8
67	1755180	CARTRIDGE HEATING ELEMENT 500W 230V
68	1324127	BRASS TORPEDO PIN
69	1186805	O-RING 0115 EPDM
70	1120088	3-WAY SOLENOID VALVE PARKER 230V 50/60Hz
71	1349250	"L" COUPLING 1/8"M-1/8"M $\varnothing$ 6 mm
72	1786087	O-RING 02037 RED SILICONE
74	1186472	O-RING 04075 EPDM
76	1510001	GROUP DIFFUSER $\varnothing$ 11 mm M12x1 H12
77	1786117	O-RING 0147 VITON
78	1081043	SHOWER SCREEN $\varnothing$ 55 mm TY1 277 HOLES
79	1086020	SHOWER HOLDER SPRAYER
80	1186411	O-RING 02031 EPDM
81	1022070	SINGLE SPOUT $\varnothing$ 8 mm
82	1528093	SCREWS NO HEAD WITH HEX. SOCKET M4x20
83	1331023	SQUARE DAMPER EX-EP-EK-EA
84	1122735	VIBRATORY PUMP EX5 48W 230V 50Hz
85	1349250	"L" COUPLING 1/8"M-1/8"M $\varnothing$ 6 mm
87	1349717	NICHEL PLATED L-FITTING $\varnothing$ 1/4"M-1/4"F
88	3349356	NICHEL-PL.T-FITTING $\varnothing$ 1/8"M-1/8"M-1/8"M
89	1186623	PTFE FLAT GASKET $\varnothing$ 53x43x3 mm
89	1186633	FLAT CARBO GASKET $\varnothing$ 53x42x3 mm
90	1755603	HEATING ELEMENT 1300W 230V
91	1349710	NICHEL PLATED L-FITTING $\varnothing$ 1/4"M-1/4"M
95	1515002	BOILER VALVE $\varnothing$ 3/8"M CE-PED
96	1341750	LEVEL PROBE $\varnothing$ 1/4"M-125 mm
98	1186982	FLAT PTFE GASKET $\varnothing$ 17x13x2 mm
99	1523538	BOILER VALVE $\varnothing$ 1/4"M
101	1349702	"T" FITTING $\varnothing$ 1/4"F-1/4"F-1/4"M NICKEL-P
104	1120501	2-WAY SOLENOID VALVE M&M 230/240V 50Hz
106	1349716	NICHEL PLATED L-FITTING $\varnothing$ 1/8"M-1/8"F
108	1186201	GASKET FLAT PTFE $\varnothing$ 21x16.8x2 mm
109	1186334	WASHER
110	1250547	SPRING $\varnothing$ 11.5x16 mm
111	1186346	O-RING 02043 EPDM
112	1186680	CONICAL PTFE SEAL $\varnothing$ 14.5x9x8 mm
113	1549023	COMPLETE WATER PIPE
119	1186342	FLAT GASKET $\varnothing$ 11x3x4 mm EPDM
120	1186491	LIP SEAL $\varnothing$ 14x7x5 mm
123	1349250	"L" COUPLING 1/8"M-1/8"M $\varnothing$ 6 mm
124	1349013	L-FITTING $\varnothing$ 1/8"M-1/8"M NICKEL-PLATED
125	3349355	NICHEL-PL.T-FITTING $\varnothing$ 1/8"F-1/8"F-1/8"F
126	1120501	2-WAY SOLENOID VALVE M&M 230/240V 50Hz
131	1349137	FITTING $\varnothing$ 1/4"M-1/8"F
132	1455067	VOLUMETRIC FLOWMETER GICAR



## POD COFFEE MACHINE NEW CIALDA VAPOR 2



GRCC0107

Positions without LF code no.: upon request



# GRIMAC

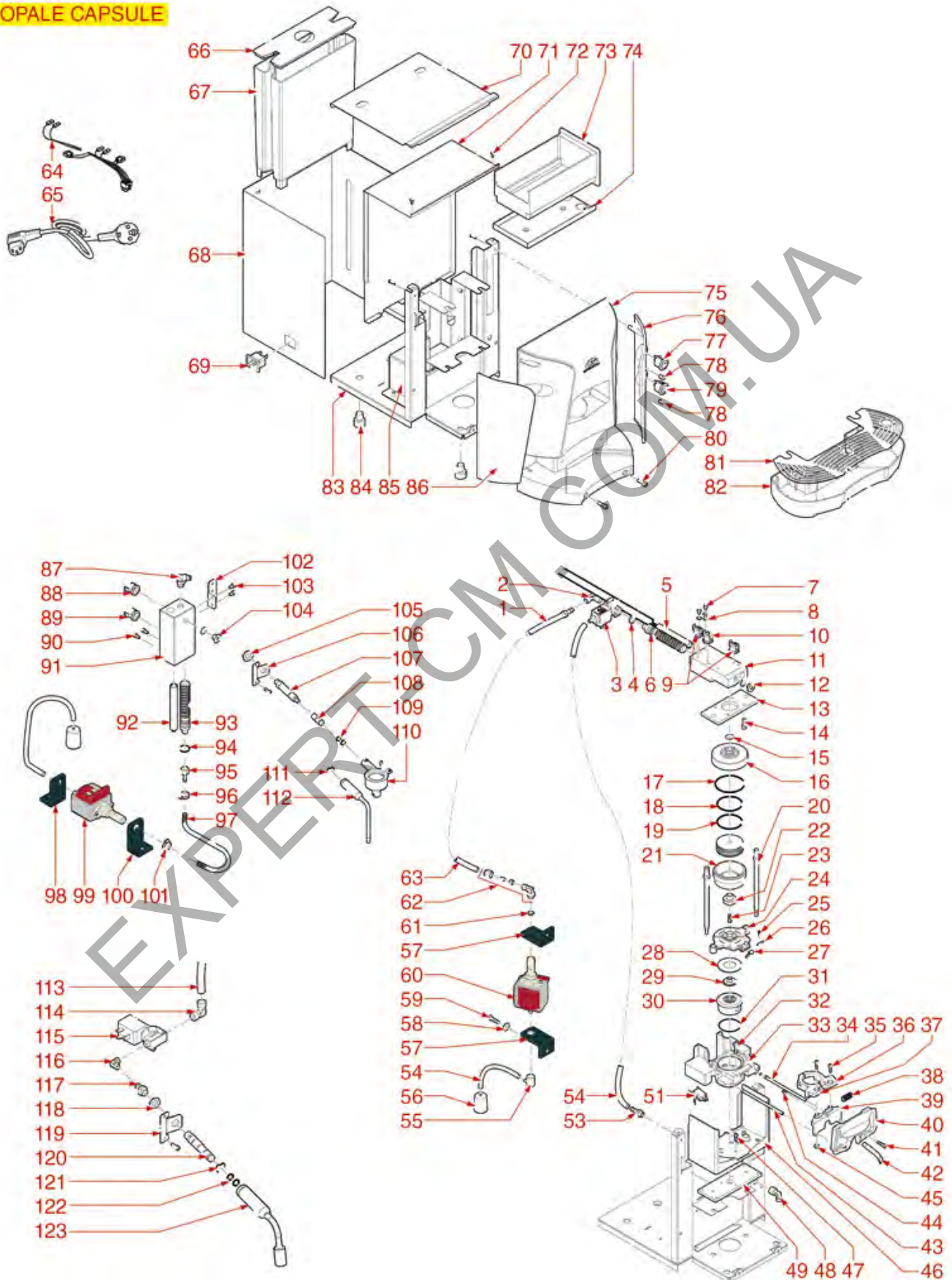


Pos.	LF code no.	Description	Pos.	LF code no.	Description
11	1449281	SILICONE HOSE ø 4x7 SHORE 60 - 100 m	136	1241602	WATER CAP FOR KNOB
11	1449681	SILICONE HOSE ø 4x7 SHORE 60 - 5 m	138	1528117	WASHER FLAT LARGE M4
15	1341036	LEVEL REGULATOR MFC2SG 220V	139	1455034	CYLINDER HEAD SCREW M4x10
22	1455034	CYLINDER HEAD SCREW M4x10	142	1186201	GASKET FLAT PTFE ø 21x16.8x2 mm
25	1319809	BLACK BIPOLAR SWITCH 16A 250V	143	1250547	SPRING ø 11.5x16 mm
25	3319294	BLACK BIPOLAR SWITCH 16A 250V	144	1186334	WASHER
29	3221080	RED INDICATOR LAMP 230V	145	1186346	O-RING 02043 EPDM
30	1245044	BOILER PRESSURE GAUGE ø 41 mm 0÷2,5 bar	146	1186680	CONICAL PTFE SEAL ø 14.5x9x8 mm
31	1221040	RED INDICATOR LIGHT 240V	148	1549023	COMPLETE WATER PIPE
32	1081043	SHOWER SCREEN ø 55 mm TY1 277 HOLES	149	1187501	BURN PREVENTING PIPE HANDGRIP ø 8 mm
33	1086020	SHOWER HOLDER SPRAYER	150	3349355	NICHEL-PL.T-FITTING ø 1/8"F-1/8"F-1/8"F
34	1186411	O-RING 02031 EPDM	151	1349137	FITTING ø 1/4"M-1/8"F
35	1022070	SINGLE SPOUT ø 8 mm	154	1449281	SILICONE HOSE ø 4x7 SHORE 60 - 100 m
36	1528093	SCREWS NO HEAD WITH HEX. SOCKET M4x20	154	1449681	SILICONE HOSE ø 4x7 SHORE 60 - 5 m
43	3060069	HEXAGONAL NUT M8 MEDIUM	155	3010303	WATER SOFTENER FOR OCS NICAL 125
47	1120088	3-WAY SOLENOID VALVE PARKER 230V 50/60Hz	156	1331023	SQUARE DAMPER EX-EP-EK-EA
48	1755180	CARTRIDGE HEATING ELEMENT 500W 230V	157	1349651	PIPETTE FITTING 90°
49	1186805	O-RING 0115 EPDM	158	1349250	"L"COUPLING 1/8"M-1/8"M ø 6 mm
50	1324127	BRASS TORPEDO PIN	160	1449502	PTFE PIPE ø 4x6 mm - 10 m
51	5034989	CYLINDER HEAD SCREW M4x8	162	1349137	FITTING ø 1/4"M-1/8"F
52	1444003	CONTACT THERMOSTAT 95°C M4	163	1455067	VOLUMETRIC FLOWMETER GICAR
53	1444206	CONTACT THERMOSTAT 145°C M4	164	1122735	VIBRATORY PUMP EX5 48W 230V 50Hz
55	1786087	O-RING 02037 RED SILICONE	165	1186611	O-RING 02025 RED SILICONE
56	1186472	O-RING 04075 EPDM	166	1349251	"L"COUPLING ø 1/8"M-1/8"M COMPLETE
58	1186472	O-RING 04075 EPDM	167	5014713	CYLINDER HEAD SCREW M5x16
64	1786117	O-RING 0147 VITON			
65	1449281	SILICONE HOSE ø 4x7 SHORE 60 - 100 m			
65	1449681	SILICONE HOSE ø 4x7 SHORE 60 - 5 m			
68	1349250	"L"COUPLING 1/8"M-1/8"M ø 6 mm			
72	1341750	LEVEL PROBE ø 1/4"M-125 mm			
73	1523538	BOILER VALVE ø 1/4"M			
74	1515002	BOILER VALVE ø 3/8"M CE-PED			
75	1186982	FLAT PTFE GASKET ø 17x13x2 mm			
76	1349112	FITTING ø 1/4"M-3/8"M			
78	1349137	FITTING ø 1/4"M-1/8"F			
82	1245044	BOILER PRESSURE GAUGE ø 41 mm 0÷2,5 bar			
83	1349112	FITTING ø 1/4"M-3/8"M			
85	1349708	NICHEL PLATED T-FITTING ø 3/8"F-3/8"F			
90	1349251	"L"COUPLING ø 1/8"M-1/8"M COMPLETE			
91	1186611	O-RING 02025 RED SILICONE			
92	1186623	PTFE FLAT GASKET ø 53x43x3 mm			
92	1186633	FLAT CARBO GASKET ø 53x42x3 mm			
94	1449502	PTFE PIPE ø 4x6 mm - 10 m			
96	1331019	VALVE S2			
97	1349251	"L"COUPLING ø 1/8"M-1/8"M COMPLETE			
98	1349250	"L"COUPLING 1/8"M-1/8"M ø 6 mm			
101	3349356	NICHEL-PL.T-FITTING ø 1/8"M-1/8"M-1/8"M			
102	1186611	O-RING 02025 RED SILICONE			
103	1349717	NICHEL PLATED L-FITTING ø 1/4"M-1/4"F			
104	1186623	PTFE FLAT GASKET ø 53x43x3 mm			
104	1186633	FLAT CARBO GASKET ø 53x42x3 mm			
105	1755603	HEATING ELEMENT 1300W 230V			
107	1341750	LEVEL PROBE ø 1/4"M-125 mm			
109	1186982	FLAT PTFE GASKET ø 17x13x2 mm			
110	1515002	BOILER VALVE ø 3/8"M CE-PED			
113	1245044	BOILER PRESSURE GAUGE ø 41 mm 0÷2,5 bar			
116	1349710	NICHEL PLATED L-FITTING ø 1/4"M-1/4"M			
117	1523538	BOILER VALVE ø 1/4"M			
118	1349708	NICHEL PLATED T-FITTING ø 3/8"F-3/8"F			
129	1186342	FLAT GASKET ø 11x3x4 mm EPDM			
130	1186491	LIP SEAL ø 14x7x5 mm			
133	1241164	STEAM TAP KNOB			
133	1241165	WATER TAP KNOB			
134	1241164	STEAM TAP KNOB			
134	1241165	WATER TAP KNOB			
135	1241601	STEAM CAP FOR KNOB			



POD COFFEE MACHINE OPALE

OPALE CAPSULE



GRCC0110

Positions without LF code no.: upon request



# GRIMAC

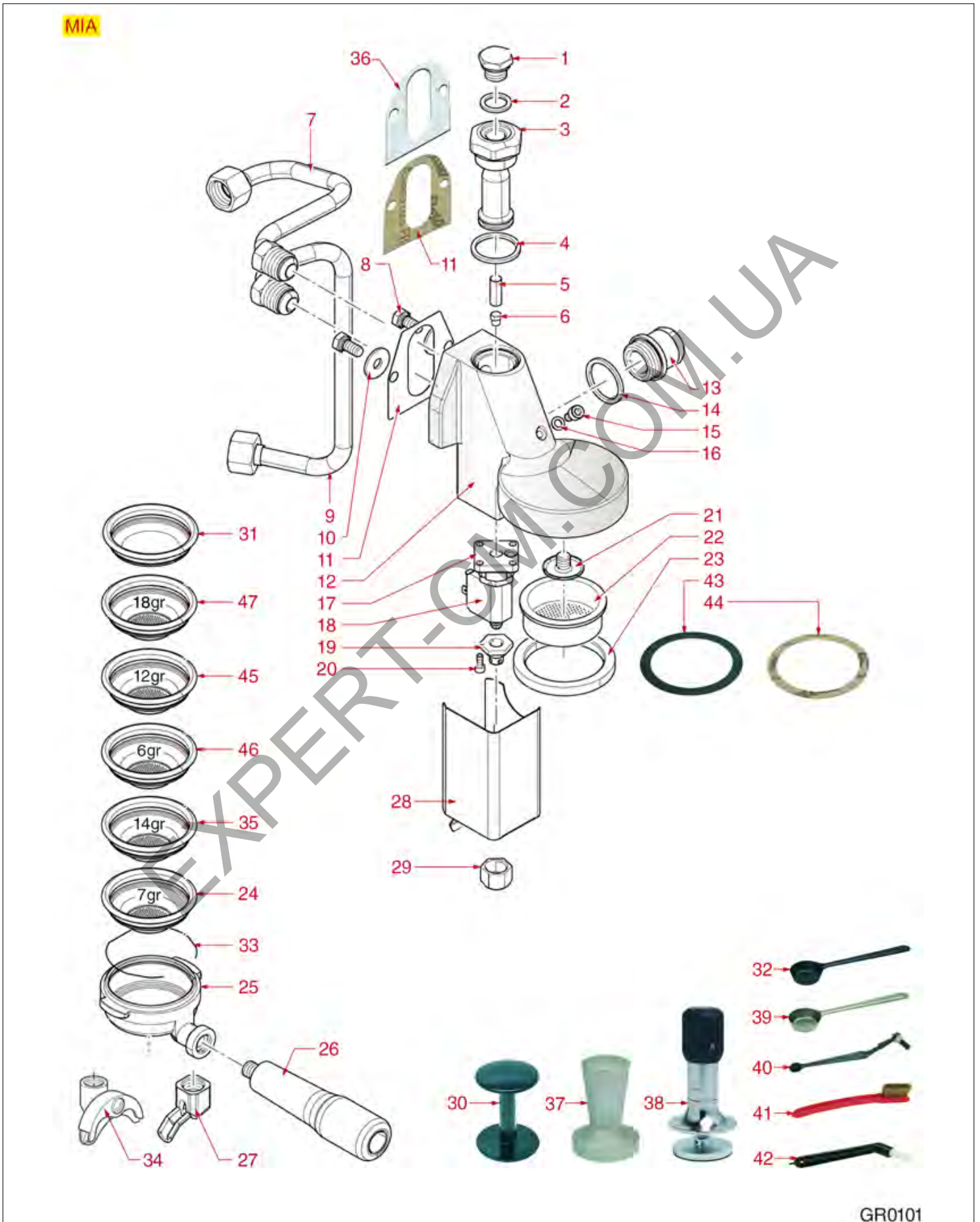


Position	LF code no.	Description
1	1449502	PTFE PIPE $\varnothing$ 4x6 mm - 10 m
2	1349250	"L"COUPLING 1/8"M-1/8"M $\varnothing$ 6 mm
3	1120169	3-WAY SOLENOID VALVE AE 240V 50Hz 13VA
4	1186805	O-RING 0115 EPDM
5	1755180	CARTRIDGE HEATING ELEMENT 500W 230V
10	1444206	CONTACT THERMOSTAT 145°C M4
14	5014713	CYLINDER HEAD SCREW M5x16
15	1186472	O-RING 04075 EPDM
18	1786117	O-RING 0147 VITON
35	1184006	LOW CYLINDER HEAD SCREW M4x12
48	1349716	NICHEL PLATED L-FITTING $\varnothing$ 1/8"M-1/8"F
53	1349653	HOSE-END FITTING $\varnothing$ 1/8"M $\varnothing$ 6 NICKEL
54	1449681	SILICONE HOSE $\varnothing$ 4x7 SHORE 60 - 5 m
55	1349651	PIPETTE FITTING 90°
56	3010303	WATER SOFTENER FOR OCS NICAL 125
57	1331023	SQUARE DAMPER EX-EP-EK-EA
59	5014713	CYLINDER HEAD SCREW M5x16
60	1122735	VIBRATORY PUMP EX5 48W 230V 50Hz
61	1186411	O-RING 02031 EPDM
62	1349251	"L"COUPLING $\varnothing$ 1/8"M-1/8"M COMPLETE
63	1449502	PTFE PIPE $\varnothing$ 4x6 mm - 10 m
66	1080182	WATER CONTAINER LID
67	1080183	WATER CONTAINER 2L
78	1221040	RED INDICATOR LIGHT 240V
79	1319393	BLACK MONOPOLAR SWITCH 10A 250V
80	5014713	CYLINDER HEAD SCREW M5x16
88	1444521	CONTACT THERMOSTAT 155°C M4
90	5034989	CYLINDER HEAD SCREW M4x8
92	1755181	CARTRIDGE HEATING ELEMENT 800W 230V
93	1324127	BRASS TORPEDO PIN
94	1186805	O-RING 0115 EPDM
98	1331022	SQUARE DAMPER HF
99	1331017	VIBRATORY PUMP NME 3S 16W 230V 50Hz
100	1331022	SQUARE DAMPER HF
103	5034989	CYLINDER HEAD SCREW M4x8
108	1079018	CAPPUCCINATORE CONNECTOR TUBE
110	1079008	COMPLETE SMALL BLACK CAPPUCCINATORE
113	1449500	PTFE PIPE $\varnothing$ 2x4 mm - 10 m
115	1120501	2-WAY SOLENOID VALVE M&M 230/240V 50Hz





## MIA BREW GROUP



Positions without LF code no.: upon request



# GRIMAC

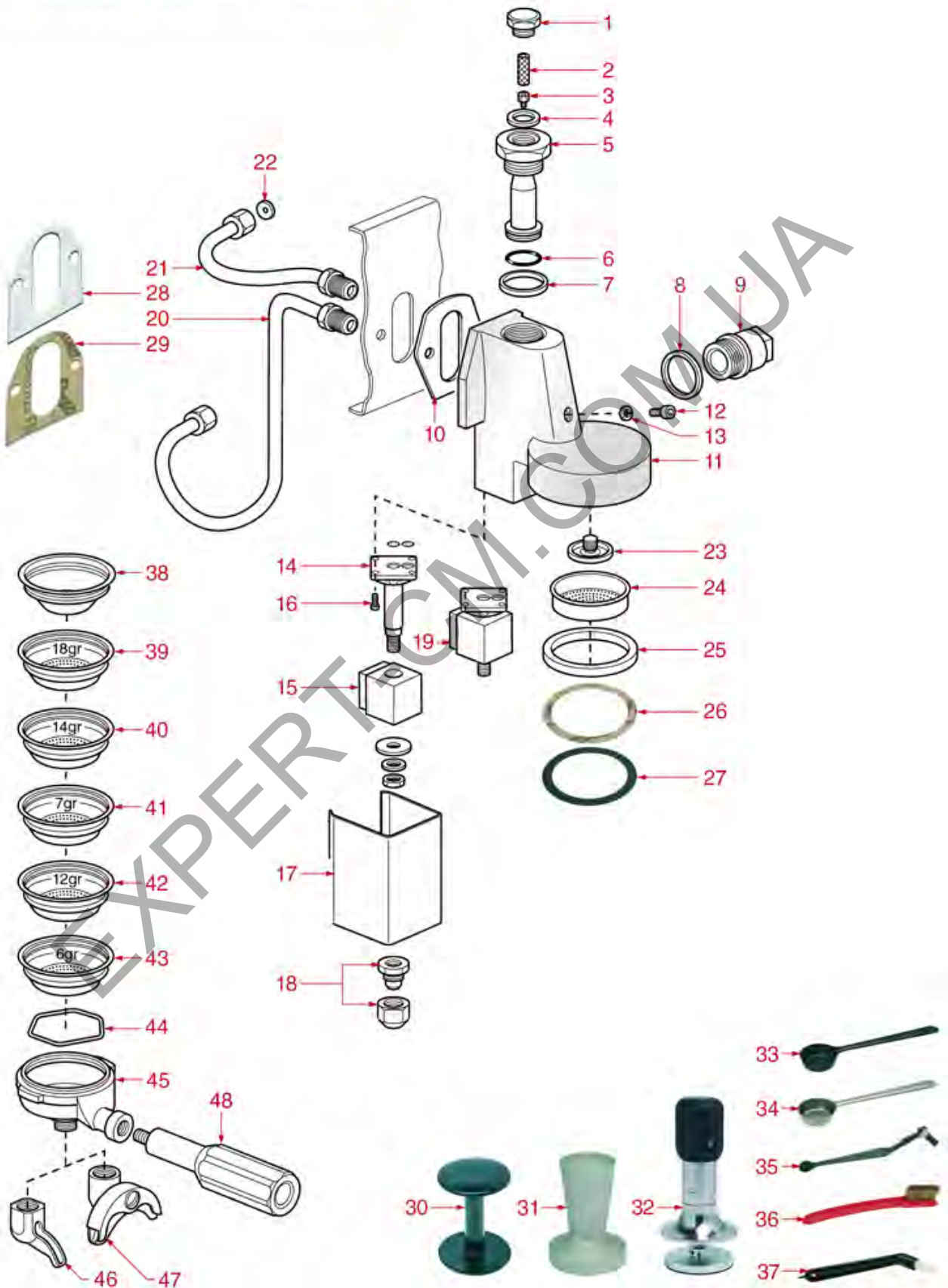


Position	LF code no.	Description
1	1439001	CAP ø 16 mm FOR BREW GROUP
2	1186326	PTFE FLAT GASKET ø 22x16x2 mm
3	1027016	UPPER CHROMIUM-PLATED SLEEVE
4	1186307	PTFE FLAT GASKET ø 36x30x2 mm
5	1160517	WATER FILTER ø 8.5x22 mm
6	1501541	NOZZLE M6x1 HOLE ø 0,8 mm
11	1186384	COFFEE GROUP GASKET 80x70x2 mm
13	1439011	CHROMIUM-PLATED SIDE CAP
14	1186307	PTFE FLAT GASKET ø 36x30x2 mm
15	1184804	CYLINDER HEAD SCREW M6x8
16	3528010	FLAT WASHER M6
17	1120339	3-WAY MECHANICAL COMPONENT PARKER
18	1120336	COIL PARKER ZB09 9W 110/120V 50/60Hz
18	3120032	COIL PARKER ZB09 9W 220/240V 50/60Hz
20	1455034	CYLINDER HEAD SCREW M4x10
21	1501561	GROUP SPRAY NOZZLE ø 30 mm M10x1
22	1081016	SHOWER SCREEN ø 60 mm
22	1081116	SHOWER SCREEN ø 60 mm
22	1081516	SHOWER ø 60 mm
23	1186891	FILTER HOLDER GASKET ø 73x57x8 mm
24	1160335	1 CUP FILTER 7 g
25	1165022	FILTER HOLDER COFFEE MACHINES
26	1241504	FILTER HOLDER HANDLE M12
27	1022501	SINGLE SPOUT ø 3/8"
30	1385002	NYLON COFFEE TAMPER ø 50/57 mm
31	1160339	BLIND FILTER
32	1069001	PLASTIC MEASURING SPOON 20 ml
33	1250101	FILTER BLOCKING SPRING ø 1,00 mm INOX
34	1022521	LONG DOUBLE SPOUT ø 3/8"
35	1160337	2-CUP FILTER 14 GRAMS
36	1186508	COFFEE GROUP GASKET 77x73x2 mm
37	1385053	ANODISED ALUMINUM TAMPER ø 58 mm
38	1385600	DYNAMOMETRIC MANUAL COFFEE TAMPER ø 57mm
39	1069002	STAINLESS STEEL MEASURING SPOON 20 ml
40	1384003	BLACK SHOWER CLEANING BRUSH
40	1384011	RED SHOWER CLEANING BRUSH
40	1384012	ORANGE SHOWER CLEANING BRUSH
41	1384002	BRUSH FOR MAINTENANCE
42	1384001	BRUSH FOR COFFEE SHOWER
43	1190002	RUBBER SHIM ø 73x59x1 mm EPDM
44	1190001	PAPER SHIM ø 73x59x0.8 mm
45	1160252	2-CUP FILTER 12 GRAMS
46	1160251	1 CUP FILTER 6 g
47	1160345	2 CUPS FILTER 18 gr



## ZOLAI-ZOLAII-TEN-TWENTY-ECLISSE GROUP

### ZOLA I - ZOLA II - TEN - TWENTY - ECLISSE





# GRIMAC

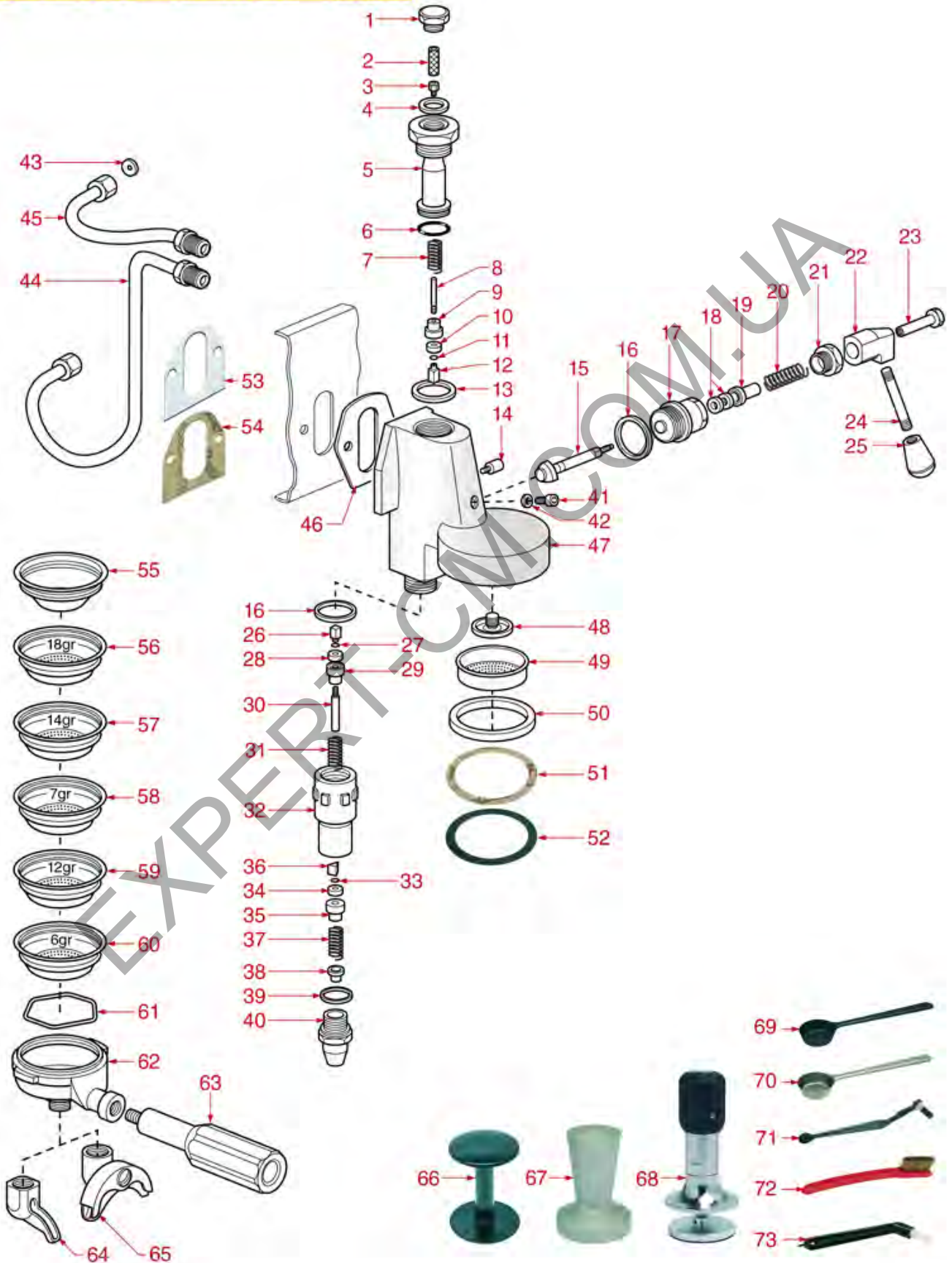


Position	LF code no.	Description
1	1439001	CAP ø 16 mm FOR BREW GROUP
2	1160517	WATER FILTER ø 8.5x22 mm
3	1501522	NOZZLE M6x1 HOLE ø 0,75 mm
4	1186326	PTFE FLAT GASKET ø 22x16x2 mm
5	1027016	UPPER CHROMIUM-PLATED SLEEVE
6	1186591	O-RING 0128 VITON
7	1186307	PTFE FLAT GASKET ø 36x30x2 mm
8	1186307	PTFE FLAT GASKET ø 36x30x2 mm
9	1439011	CHROMIUM-PLATED SIDE CAP
10	1186384	COFFEE GROUP GASKET 80x70x2 mm
12	1184804	CYLINDER HEAD SCREW M6x8
13	3528010	FLAT WASHER M6
14	1120339	3-WAY MECHANICAL COMPONENT PARKER
15	3120032	COIL PARKER ZB09 9W 220/240V 50/60Hz
16	1455034	CYLINDER HEAD SCREW M4x10
18	1349007	DRAIN CHROMIUM-PLATED FITTING
19	1120330	3-WAY SOLENOID VALVE LUCIFER 240V 50Hz
19	1120335	3-WAY SOLENOID VALVE PARKER 230V 50/60Hz
23	1501561	GROUP SPRAY NOZZLE ø 30 mm M10x1
24	1081016	SHOWER SCREEN ø 60 mm
24	1081116	SHOWER SCREEN ø 60 mm
24	1081516	SHOWER ø 60 mm
25	1186891	FILTER HOLDER GASKET ø 73x57x8 mm
26	1190001	PAPER SHIM ø 73x59x0.8 mm
27	1190002	RUBBER SHIM ø 73x59x1 mm EPDM
28	1186508	COFFEE GROUP GASKET 77x73x2 mm
29	1186384	COFFEE GROUP GASKET 80x70x2 mm
30	1385002	NYLON COFFEE TAMPER ø 50/57 mm
31	1385053	ANODISED ALUMINUM TAMPER ø 58 mm
32	1385600	DYNAMOMETRIC MANUAL COFFEE TAMPER ø 57mm
33	1069001	PLASTIC MEASURING SPOON 20 ml
34	1069002	STAINLESS STEEL MEASURING SPOON 20 ml
35	1384003	BLACK SHOWER CLEANING BRUSH
35	1384011	RED SHOWER CLEANING BRUSH
35	1384012	ORANGE SHOWER CLEANING BRUSH
36	1384002	BRUSH FOR MAINTENANCE
37	1384001	BRUSH FOR COFFEE SHOWER
38	1160339	BLIND FILTER
39	1160345	2 CUPS FILTER 18 gr
40	1160337	2-CUP FILTER 14 GRAMS
41	1160335	1 CUP FILTER 7 g
42	1160252	2-CUP FILTER 12 GRAMS
43	1160251	1 CUP FILTER 6 g
44	1250101	FILTER BLOCKING SPRING ø 1,00 mm INOX
45	1165022	FILTER HOLDER COFFEE MACHINES
46	1022501	SINGLE SPOUT ø 3/8"
47	1022502	DOUBLE SPOUT ø 3/8"
48	1241504	FILTER HOLDER HANDLE M12



## ZOLAI-ZOLAII-TEN-TWENTY-ECLISSE GROUP

### ZOLA I - ZOLA II - TEN - TWENTY - ECLISSE



GR0301



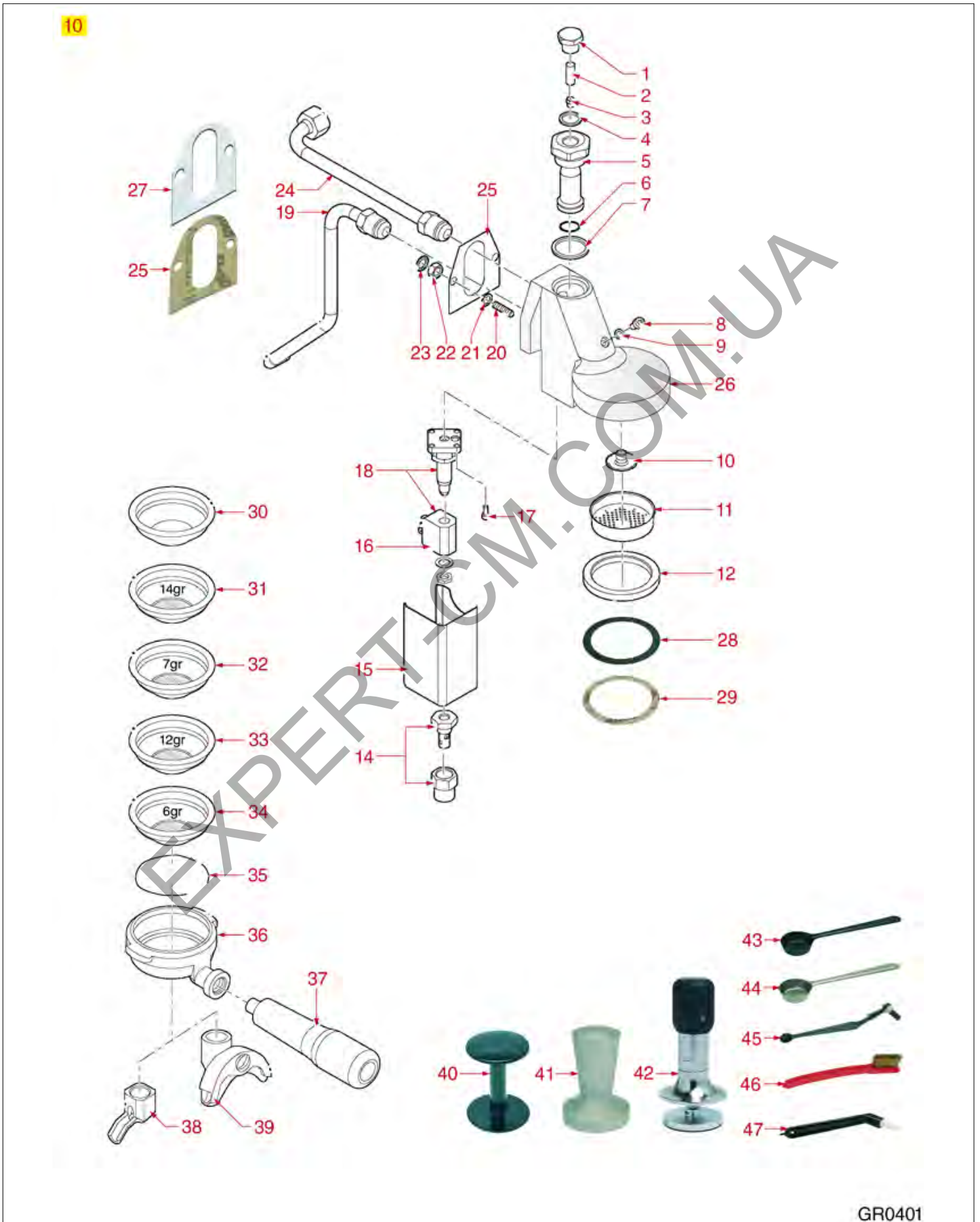
# GRIMAC



Position	LF code no.	Description
1	1439001	CAP ø 16 mm FOR BREW GROUP
2	1160517	WATER FILTER ø 8.5x22 mm
3	1501522	NOZZLE M6x1 HOLE ø 0,75 mm
4	1186326	PTFE FLAT GASKET ø 22x16x2 mm
5	1027016	UPPER CHROMIUM-PLATED SLEEVE
6	1186591	O-RING 0128 VITON
7	1250536	SPRING ø 13x42 mm
8	1250513	SPINDLE FOR GASKET HOLDER 40 mm
10	1186311	NBR FLAT GASKET ø 13x4x4 mm
12	1324303	SQUARE PIN 10.1 mm 6x6 mm M3
13	1186307	PTFE FLAT GASKET ø 36x30x2 mm
16	1186307	PTFE FLAT GASKET ø 36x30x2 mm
17	1349022	CAMS CHROMIUM-PLATED FITTING
18	1186300	FLAT GASKET ø 15x7.3x4 mm EPDM
19	1186313	CAM GUIDE BUSHING
21	1439533	STUFFING GLAND CHROME-PLATED FITTING
22	1191022	CHROMIUM-PLATED CAM
25	1241401	KNOB M8x1
28	1186311	NBR FLAT GASKET ø 13x4x4 mm
31	1250536	SPRING ø 13x42 mm
32	1027002	OUTLET CHROMIUM-PLATED SLEEVE
34	1186935	FLAT EPDM GASKET ø 13x4x4 mm
37	1250656	OUTLET SPRING ø 14.5x35 mm
38	1349536	DRAIN JET SWIRL
39	1186117	PTFE FLAT GASKET ø 26x21x2 mm
40	1349537	DRAIN CHROMIUM-PLATED FITTING
41	1184804	CYLINDER HEAD SCREW M6x8
42	3528010	FLAT WASHER M6
46	1186502	COFFEE GROUP GASKET 79x71x2 mm
48	1501561	GROUP SPRAY NOZZLE ø 30 mm M10x1
49	1081016	SHOWER SCREEN ø 60 mm
49	1081116	SHOWER SCREEN ø 60 mm
49	1081516	SHOWER ø 60 mm
50	1186891	FILTER HOLDER GASKET ø 73x57x8 mm
51	1190001	PAPER SHIM ø 73x59x0.8 mm
52	1190002	RUBBER SHIM ø 73x59x1 mm EPDM
53	1186508	COFFEE GROUP GASKET 77x73x2 mm
54	1186384	COFFEE GROUP GASKET 80x70x2 mm
55	1160339	BLIND FILTER
56	1160345	2 CUPS FILTER 18 gr
57	1160337	2-CUP FILTER 14 GRAMS
58	1160335	1 CUP FILTER 7 g
59	1160252	2-CUP FILTER 12 GRAMS
60	1160251	1 CUP FILTER 6 g
61	1250101	FILTER BLOCKING SPRING ø 1,00 mm INOX
62	1165022	FILTER HOLDER COFFEE MACHINES
63	1241504	FILTER HOLDER HANDLE M12
64	1022501	SINGLE SPOUT ø 3/8"
65	1022502	DOUBLE SPOUT ø 3/8"
66	1385002	NYLON COFFEE TAMPER ø 50/57 mm
67	1385053	ANODISED ALUMINUM TAMPER ø 58 mm
68	1385600	DYNAMOMETRIC MANUAL COFFEE TAMPER ø 57mm
69	1069001	PLASTIC MEASURING SPOON 20 ml
70	1069002	STAINLESS STEEL MEASURING SPOON 20 ml
71	1384003	BLACK SHOWER CLEANING BRUSH
71	1384011	RED SHOWER CLEANING BRUSH
71	1384012	ORANGE SHOWER CLEANING BRUSH
72	1384002	BRUSH FOR MAINTENANCE
73	1384001	BRUSH FOR COFFEE SHOWER



## G10 BREW GROUP



Positions without LF code no.: upon request



# GRIMAC



Position	LF code no.	Description
1	1439001	CAP ø 16 mm FOR BREW GROUP
2	1160517	WATER FILTER ø 8.5x22 mm
3	1501541	NOZZLE M6x1 HOLE ø 0,8 mm
4	1186326	PTFE FLAT GASKET ø 22x16x2 mm
5	1027016	UPPER CHROMIUM-PLATED SLEEVE
6	1186472	O-RING 04075 EPDM
7	1186307	PTFE FLAT GASKET ø 36x30x2 mm
8	1184804	CYLINDER HEAD SCREW M6x8
9	3528010	FLAT WASHER M6
10	1501561	GROUP SPRAY NOZZLE ø 30 mm M10x1
11	1081016	SHOWER SCREEN ø 60 mm
11	1081116	SHOWER SCREEN ø 60 mm
11	1081516	SHOWER ø 60 mm
12	1186891	FILTER HOLDER GASKET ø 73x57x8 mm
13	1349007	DRAIN CHROMIUM-PLATED FITTING
16	1120332	COIL LUCIFER/PARKER 220/240V 9W 50Hz
16	3120032	COIL PARKER ZB09 9W 220/240V 50/60Hz
17	1455034	CYLINDER HEAD SCREW M4x10
18	1120330	3-WAY SOLENOID VALVE LUCIFER 240V 50Hz
18	1120335	3-WAY SOLENOID VALVE PARKER 230V 50/60Hz
25	1186384	COFFEE GROUP GASKET 80x70x2 mm
27	1186508	COFFEE GROUP GASKET 77x73x2 mm
28	1190002	RUBBER SHIM ø 73x59x1 mm EPDM
29	1190001	PAPER SHIM ø 73x59x0.8 mm
30	1160339	BLIND FILTER
31	1160337	2-CUP FILTER 14 GRAMS
32	1160335	1 CUP FILTER 7 g
33	1160252	2-CUP FILTER 12 GRAMS
34	1160251	1 CUP FILTER 6 g
35	1250101	FILTER BLOCKING SPRING ø 1,00 mm INOX
36	1165022	FILTER HOLDER COFFEE MACHINES
37	1241504	FILTER HOLDER HANDLE M12
38	1022501	SINGLE SPOUT ø 3/8"
39	1022521	LONG DOUBLE SPOUT ø 3/8"
40	1385002	NYLON COFFEE TAMPER ø 50/57 mm
41	1385053	ANODISED ALUMINUM TAMPER ø 58 mm
42	1385600	DYNAMOMETRIC MANUAL COFFEE TAMPER ø 57mm
43	1069001	PLASTIC MEASURING SPOON 20 ml
44	1069002	STAINLESS STEEL MEASURING SPOON 20 ml
45	1384003	BLACK SHOWER CLEANING BRUSH
45	1384011	RED SHOWER CLEANING BRUSH
45	1384012	ORANGE SHOWER CLEANING BRUSH
46	1384002	BRUSH FOR MAINTENANCE
47	1384001	BRUSH FOR COFFEE SHOWER





G11 BREW GROUP

G11



GR0501

Positions without LF code no.: upon request



# GRIMAC



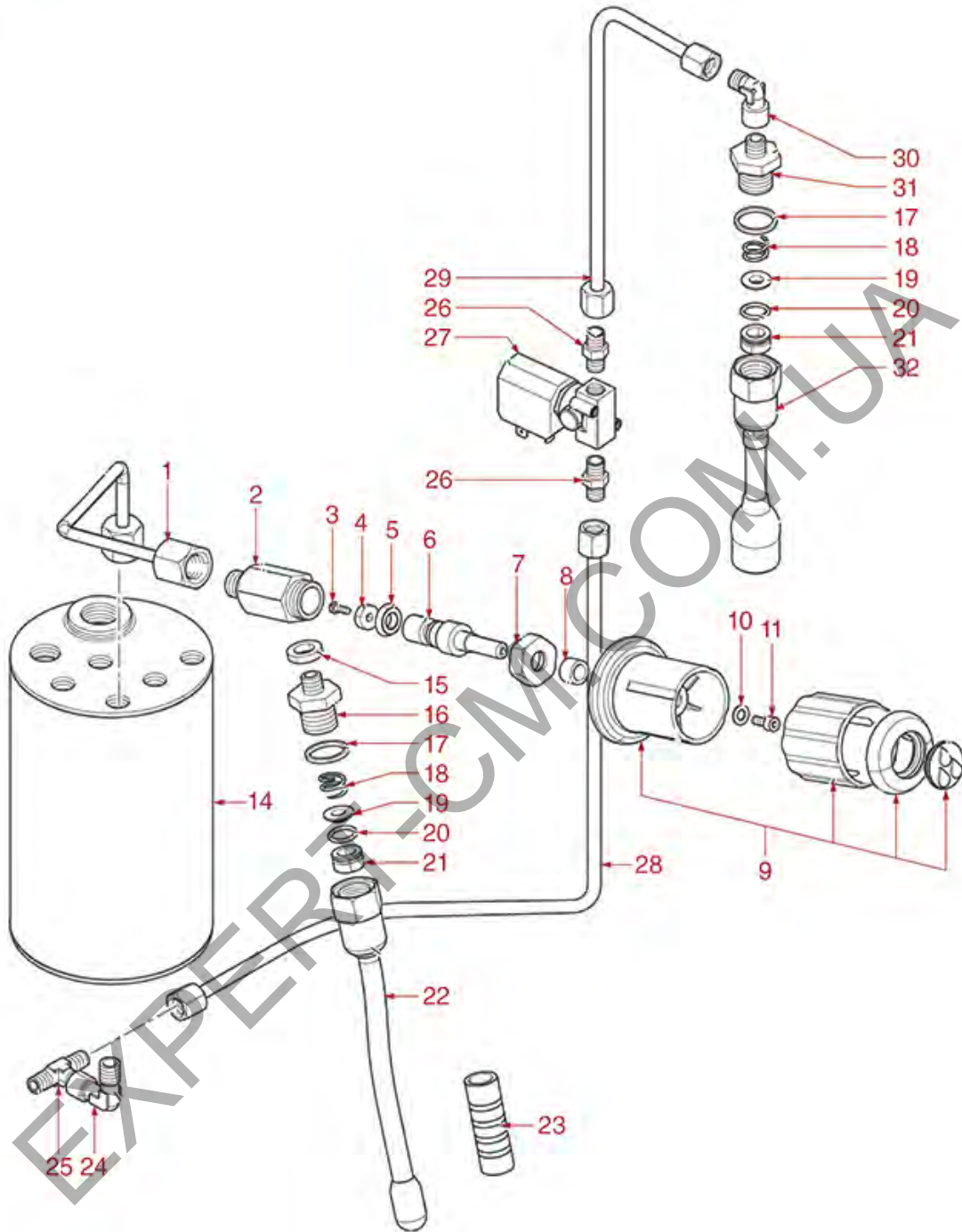
Position	LF code no.	Description
1	1349651	PIPETTE FITTING 90°
2	1120330	3-WAY SOLENOID VALVE LUCIFER 240V 50Hz
2	1120335	3-WAY SOLENOID VALVE PARKER 230V 50/60Hz
3	1439532	CAP $\varnothing$ 3/8" M FOR BREW GROUP
4	1160517	WATER FILTER $\varnothing$ 8.5x22 mm
6	1501522	NOZZLE M6x1 HOLE $\varnothing$ 0,75 mm
9	1186622	GASKET FILTER HOLDER $\varnothing$ 72x56x8 mm
10	1086595	SHOWER HOLDER DIFFUSER
11	1081007	SHOWER $\varnothing$ 51.5 mm
12	1528012	CYLINDER HEAD SCREW M5x14
13	1250101	FILTER BLOCKING SPRING $\varnothing$ 1,00 mm INOX
14	1160339	BLIND FILTER
15	1160251	1 CUP FILTER 6 g
16	1160252	2-CUP FILTER 12 GRAMS
17	1160335	1 CUP FILTER 7 g
18	1160337	2-CUP FILTER 14 GRAMS
19	1160281	1-CUP FILTER 7 gr - BASIC QUALITY
20	1160282	2-CUP FILTER 14 GRAMS - BASIC QUALITY
21	1165040	1 CUP FILTER HOLDER ASSEMBLY FIORENZATO
22	1165042	2 CUPS FILTER HOLDER ASSEMBLY FIORENZATO
23	1165022	FILTER HOLDER COFFEE MACHINES
24	1022502	DOUBLE SPOUT $\varnothing$ 3/8"
25	1022501	SINGLE SPOUT $\varnothing$ 3/8"
26	1241504	FILTER HOLDER HANDLE M12

EXPERT-CM.COM.UA



## MIA WATER/STEAM TAP

MIA



0+100°C	0+100°C		100		0,20L 2 cups	200			0,25L 2 cups	400
			101		0,30L 3 cups	201			0,35L 3 cups	401
			102		0,45L 4 cups	202			0,50L 4 cups	402
			103		0,60L 6 cups	203			0,75L 6 cups	403
			104		0,70L 9 cups	204			1,00L 10 cups	404
			105		1,10L 12 cups	205			1,50L 12 cups	405
			106		---	206			2,00L 15 cups	406
50	51	INOX 18/10			INOX 18/10				INOX 18/10	

GR1001

Positions without LF code no.: upon request



# GRIMAC

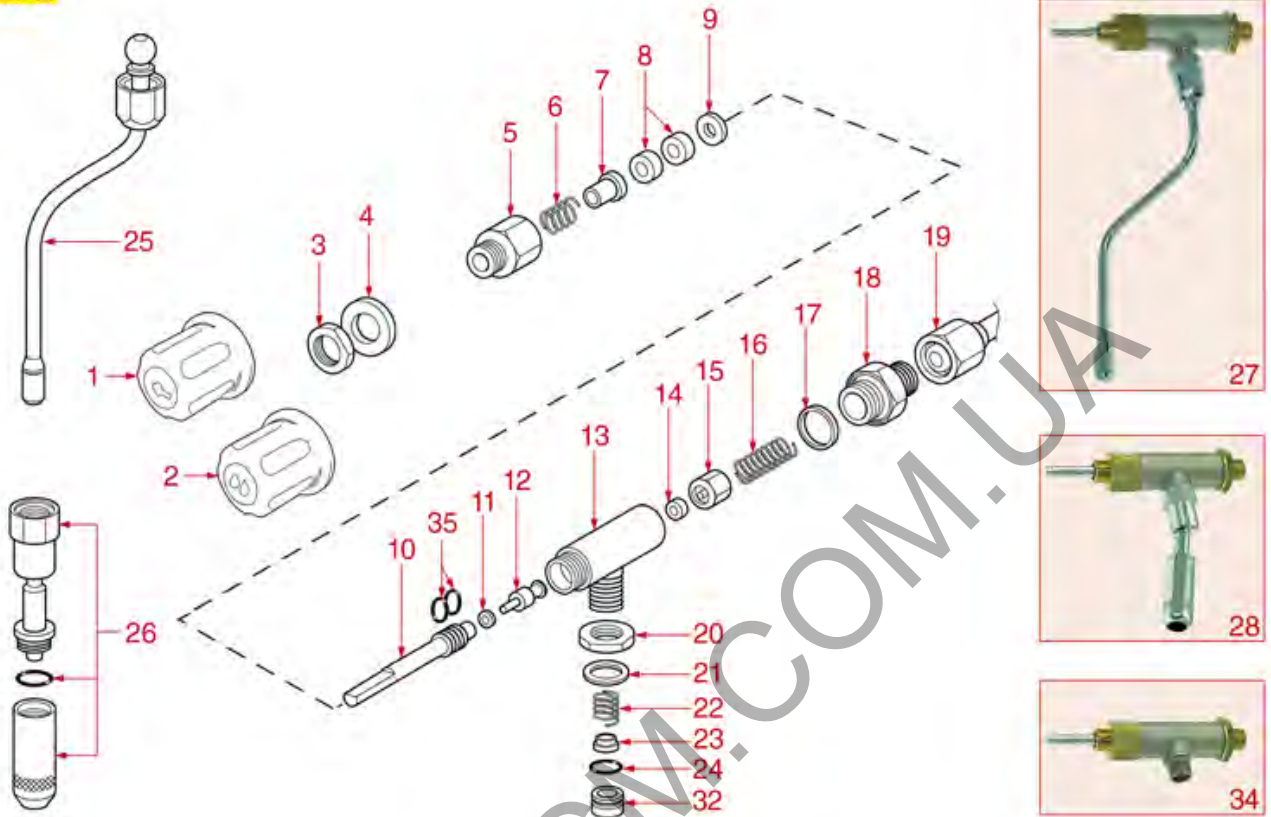


Position	LF code no.	Description
4	1186342	FLAT GASKET $\varnothing$ 11x3x4 mm EPDM
5	1186491	LIP SEAL $\varnothing$ 14x7x5 mm
9	1241164	STEAM TAP KNOB
10	1528117	WASHER FLAT LARGE M4
11	1455034	CYLINDER HEAD SCREW M4x10
17	1186201	GASKET FLAT PTFE $\varnothing$ 21x16.8x2 mm
18	1250547	SPRING $\varnothing$ 11.5x16 mm
19	1186334	WASHER
20	1186346	O-RING 02043 EPDM
21	1186680	CONICAL PTFE SEAL $\varnothing$ 14.5x9x8 mm
23	1187501	BURN PREVENTING PIPE HANDGRIP $\varnothing$ 8 mm
24	1349717	NICHEL PLATED L-FITTING $\varnothing$ 1/4"M-1/4"F
25	3349356	NICHEL-PL.T-FITTING $\varnothing$ 1/8"M-1/8"M-1/8"M
27	1120501	2-WAY SOLENOID VALVE M&M 230/240V 50Hz
30	1349716	NICHEL PLATED L-FITTING $\varnothing$ 1/8"M-1/8"F
32	1549023	COMPLETE WATER PIPE
50	1394553	ANALOGICAL THERMOMETER $\varnothing$ 25 mm
51	1394554	ANALOG THERMOMETER $\varnothing$ 45 mm
103	1024051	SERVING COFFEE POT PRATIKA 0.60 L
104	1024052	SERVING COFFEE POT PRATIKA 0.70 L
105	1024053	SERVING COFFEE POT PRATIKA 1.10 L
200	1024001	MILK PITCHER PRATIKA 0.20 L
201	1024002	MILK PITCHER PRATIKA 0.30 L
202	1024003	MILK PITCHER PRATIKA 0.45 L
203	1024004	MILK PITCHER PRATIKA 0.60 L
204	1024005	MILK PITCHER PRATIKA 0.70 L
205	1024006	MILK PITCHER PRATIKA 1.10 L
302	1224901	MILK JUG 0.35 L
303	1224902	MILK JUG 0.60 L
304	1224903	MILK JUG 1 L
305	1224904	MILK JUG 1.5 L
400	1224014	MILK PITCHER EUROPA WITH SPOUT 0.25 L
401	1224015	MILK PITCHER EUROPA WITH SPOUT 0.35 L
402	1224010	MILK PITCHER EUROPA WITH SPOUT 0.50 L
403	1224011	MILK PITCHER EUROPA WITH SPOUT 0.75 L
404	1224012	MILK PITCHER EUROPA WITH SPOUT 1 L
405	1224013	MILK PITCHER EUROPA WITH SPOUT 1.5 L

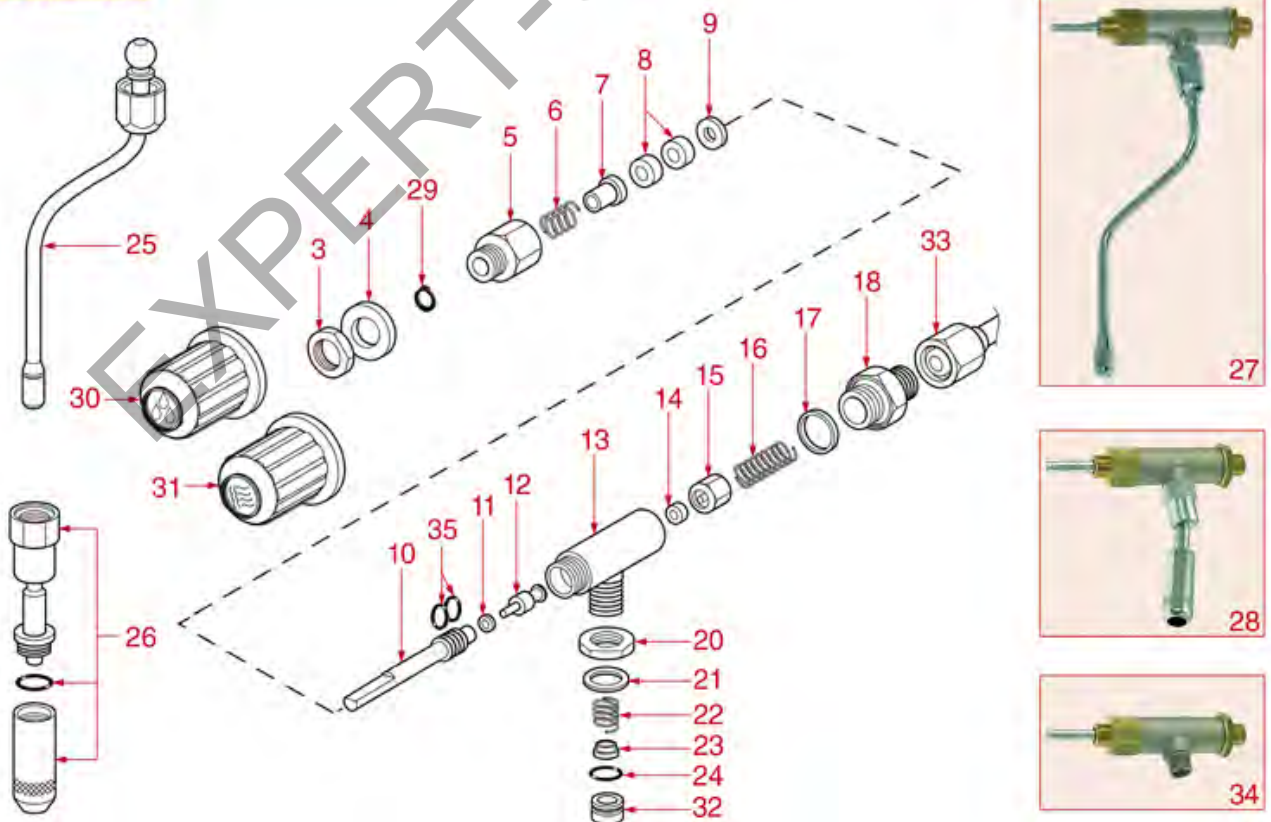


## ZOLAI-ZOLAI WATER/STEAM TAP

### ZOLA I



### ZOLA II - TEN





# GRIMAC

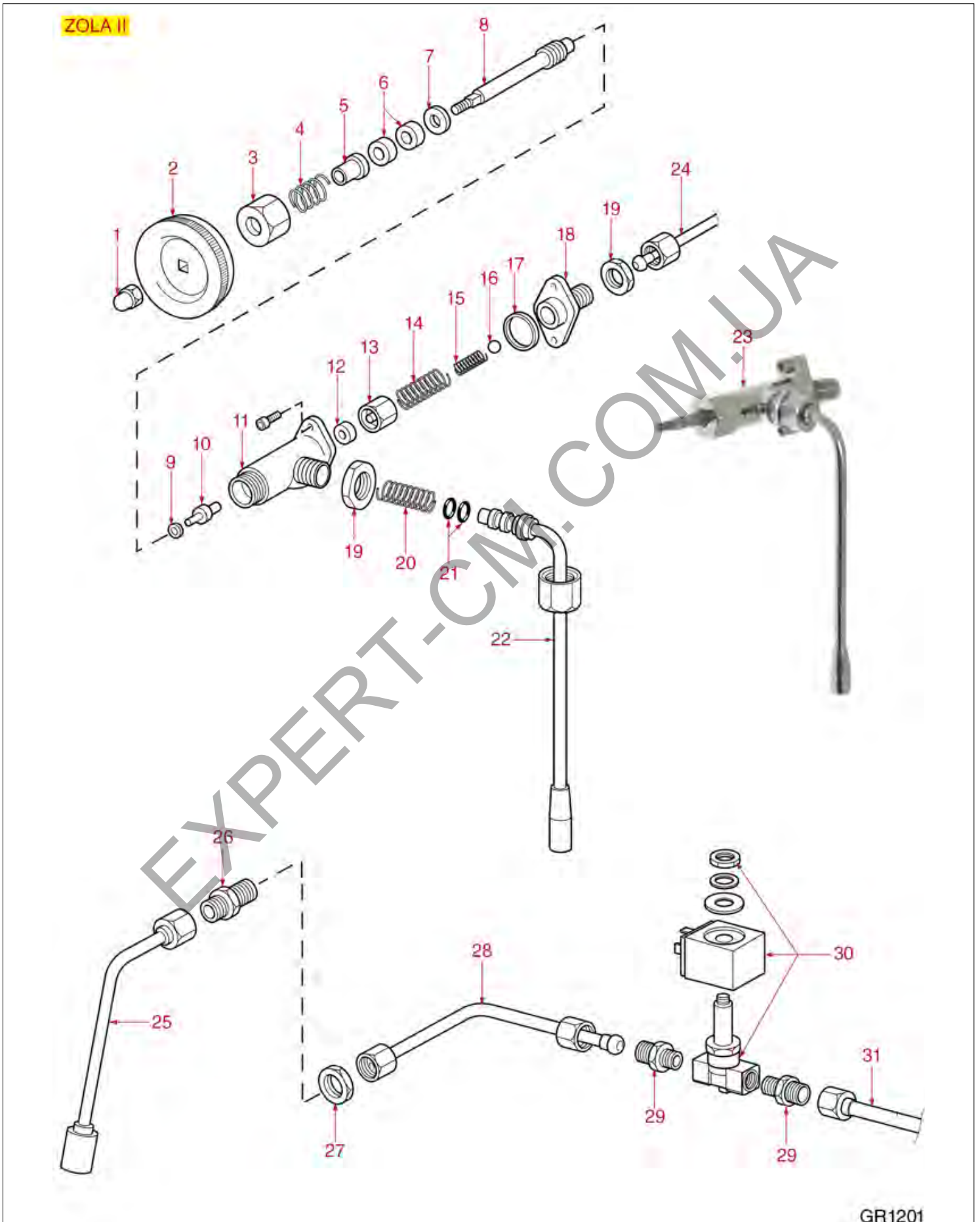


Position	LF code no.	Description
1	1241333	STEAM TAP KNOB
2	1241609	WATER TAP KNOB
6	1250652	TAP SPRING $\varnothing$ 15x18 mm
7	1186322	TAP ROD BUSHING
8	1186300	FLAT GASKET $\varnothing$ 15x7.3x4 mm EPDM
8	1186756	FLAT VITON GASKET $\varnothing$ 15.5x7.5x4 mm
9	1186681	BRASS WASHER $\varnothing$ 15x8x2 mm FLAT
10	1324300	SPINDLE FOR WATER/STEAM TAP
12	1324301	LONG SPINDLE
14	1186311	NBR FLAT GASKET $\varnothing$ 13x4x4 mm
15	1186122	GASKET HOLDER FOR TAP
16	1250157	TAP SPRING $\varnothing$ 12.5x30 mm
17	1186117	PTFE FLAT GASKET $\varnothing$ 26x21x2 mm
21	1186314	PTFE FLAT GASKET $\varnothing$ 22x17x2 mm
22	1250547	SPRING $\varnothing$ 11.5x16 mm
23	1186334	WASHER
24	1186346	O-RING 02043 EPDM
25	1449698	STEAM PIPE COMPLETE
26	1449699	COMPLETE WATER PIPE
27	1348703	COMPLETE STEAM TAP
29	1348705	CIRCLIP E- 8
30	1241606	STEAM TAP KNOB
31	1241608	WATER TAP KNOB
32	1186680	CONICAL PTFE SEAL $\varnothing$ 14.5x9x8 mm
34	1348707	COMPLETE STEAM TAP
35	1186236	O-RING 03043 VITON

EXPERT-CM.COM.UA



## ZOLAI WATER/STEAM TAP



GR1201

Positions without LF code no.: upon request



# GRIMAC



Position	LF code no.	Description
2	1241461	WATER/STEAM TAP KNOB
4	1250652	TAP SPRING $\varnothing$ 15x18 mm
5	1186322	TAP ROD BUSHING
6	1186312	EPDM FLAT GASKET $\varnothing$ 15.5x7.5x4 mm
7	1186732	WASHER $\varnothing$ 15x8.4x1 mm
8	1324086	TAP HANDLE SPINDLE
9	3528238	FLAT WASHER M4
10	1324026	TAP SPINDLE
12	1186311	NBR FLAT GASKET $\varnothing$ 13x4x4 mm
13	1186122	GASKET HOLDER FOR TAP
14	1250157	TAP SPRING $\varnothing$ 12.5x30 mm
15	1250202	SPRING $\varnothing$ 8x30 mm
16	1323003	STAINLESS STEEL BALL $\varnothing$ 8 mm
17	1186323	PTFE FLAT GASKET $\varnothing$ 24x18x2 mm
20	1250365	SPRING $\varnothing$ 11.5x30 mm FOR TAP
21	1186556	O-RING R6 EPDM
22	1449068	STEAM PIPE COMPLETE
23	1348842	STEAM TAP ASSY
25	1449697	COMPLETE WATER PIPE
26	1349705	COUPLING $\varnothing$ 3/8"M-3/8"M LOAD EXTENSION
29	1349112	FITTING $\varnothing$ 1/4"M-3/8"M

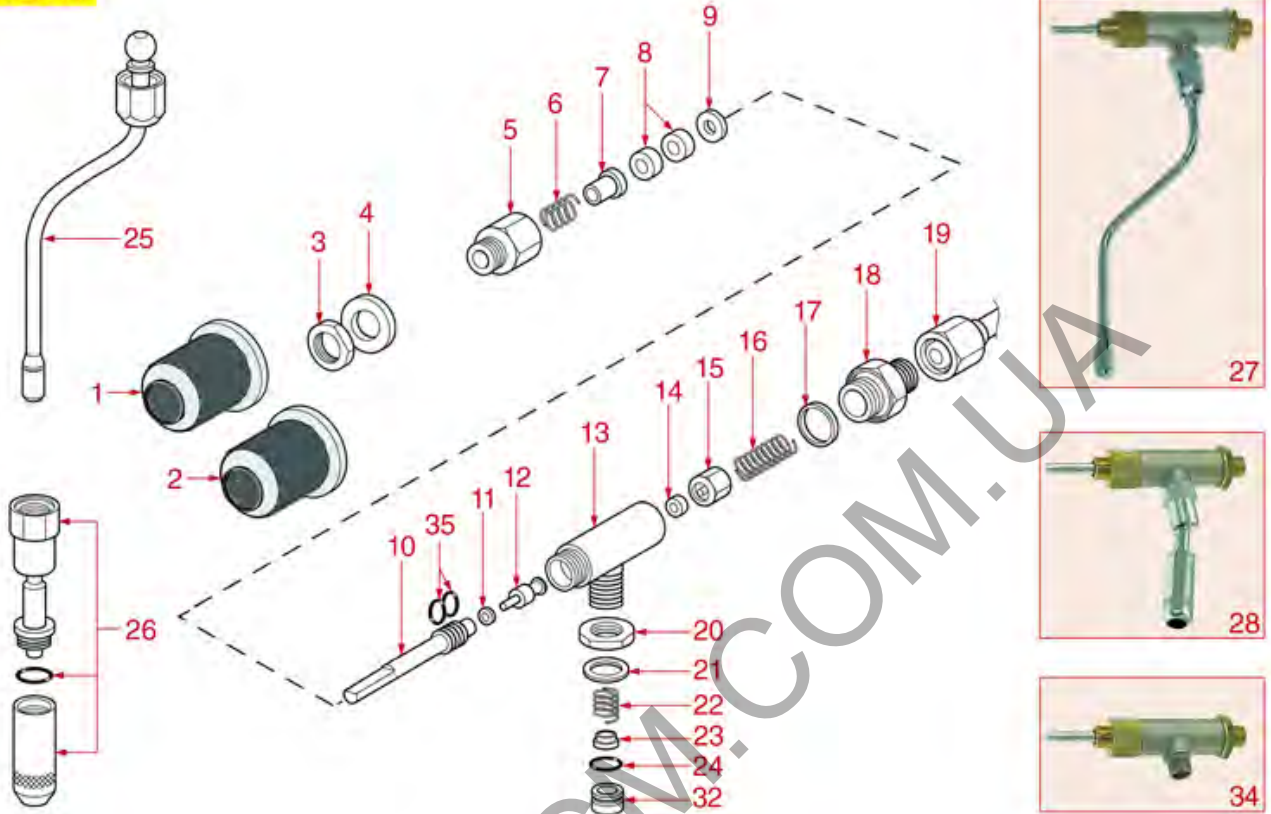
EXPERT-CM.COM.UA



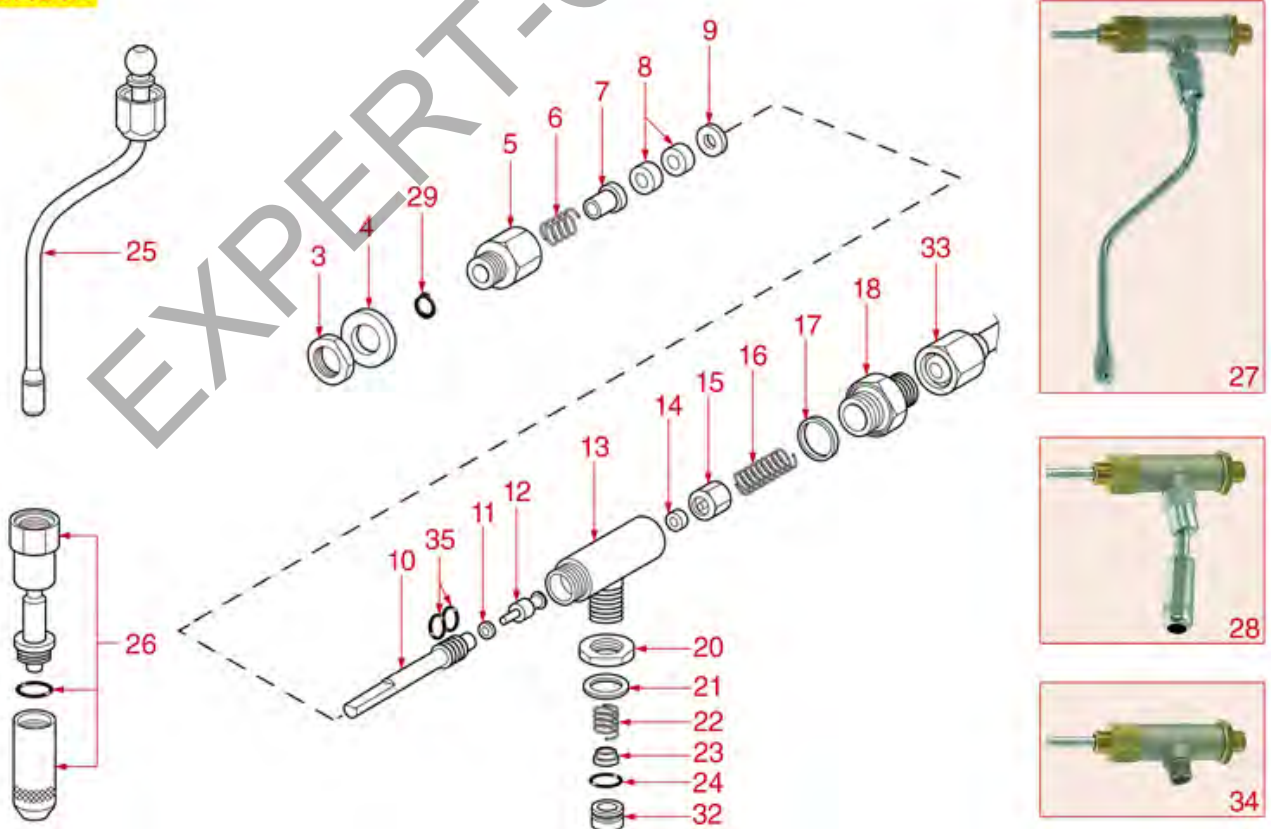


## TWENTY-ECLISSE WATER/STEAM TAP

### TWENTY



### ECLISSE





# GRIMAC

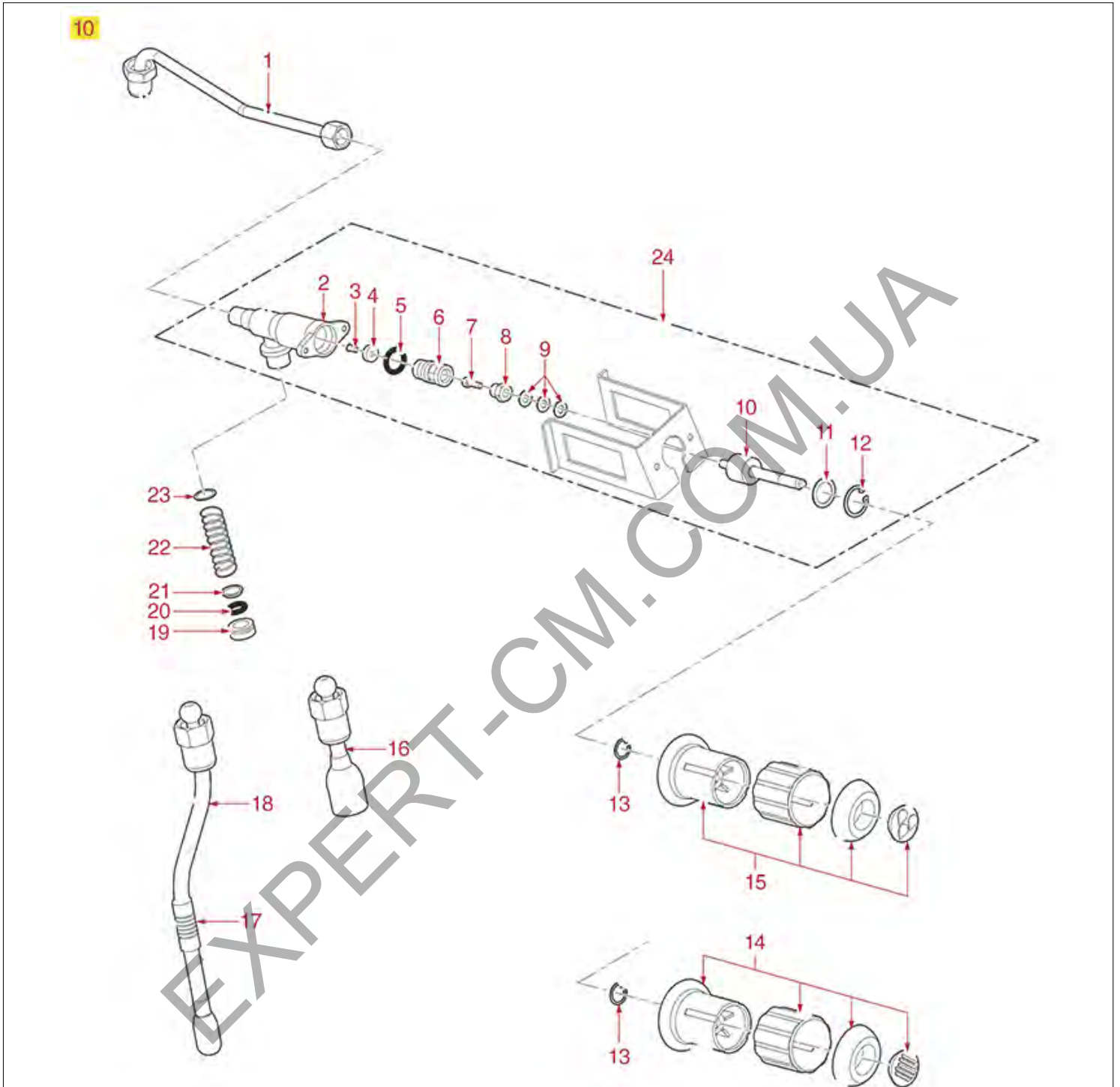


Position	LF code no.	Description
1	1241165	WATER TAP KNOB
2	1241164	STEAM TAP KNOB
6	1250652	TAP SPRING $\varnothing$ 15x18 mm
7	1186322	TAP ROD BUSHING
8	1186300	FLAT GASKET $\varnothing$ 15x7.3x4 mm EPDM
9	1186681	BRASS WASHER $\varnothing$ 15x8x2 mm FLAT
10	1324300	SPINDLE FOR WATER/STEAM TAP
12	1324301	LONG SPINDLE
14	1186311	NBR FLAT GASKET $\varnothing$ 13x4x4 mm
15	1186122	GASKET HOLDER FOR TAP
16	1250157	TAP SPRING $\varnothing$ 12.5x30 mm
17	1186117	PTFE FLAT GASKET $\varnothing$ 26x21x2 mm
21	1186314	PTFE FLAT GASKET $\varnothing$ 22x17x2 mm
22	1250547	SPRING $\varnothing$ 11.5x16 mm
23	1186334	WASHER
24	1186346	O-RING 02043 EPDM
25	1449698	STEAM PIPE COMPLETE
26	1449699	COMPLETE WATER PIPE
27	1348703	COMPLETE STEAM TAP
29	1348705	CIRCLIP E- 8
32	1186680	CONICAL PTFE SEAL $\varnothing$ 14.5x9x8 mm
34	1348707	COMPLETE STEAM TAP
35	1186236	O-RING 03043 VITON

EXPERT-CM.COM.UA



G10 WATER/STEAM TAP



 <b>50</b>	 <b>51</b>	 INOX 18/10 100 101 102 0,60L 6 cups 103 0,70L 9 cups 104 1,10L 12 cups 105 106	 INOX 18/10 0,20L 2 cups 200 0,30L 3 cups 201 0,45L 4 cups 202 0,60L 6 cups 203 0,70L 9 cups 204 1,10L 12 cups 205 206	 INOX 18/10 --- 300 --- 301 --- 302 0,60L 6 cups 303 1,00L 10 cups 304 1,50L 12 cups 305 2,00L 15 cups 306	 INOX 18/10 0,25L 2 cups 400 0,35L 3 cups 401 0,50L 4 cups 402 0,75L 6 cups 403 1,00L 10 cups 404 1,50L 12 cups 405 13 cups 406
---------------	---------------	---	--	--	---



# GRIMAC

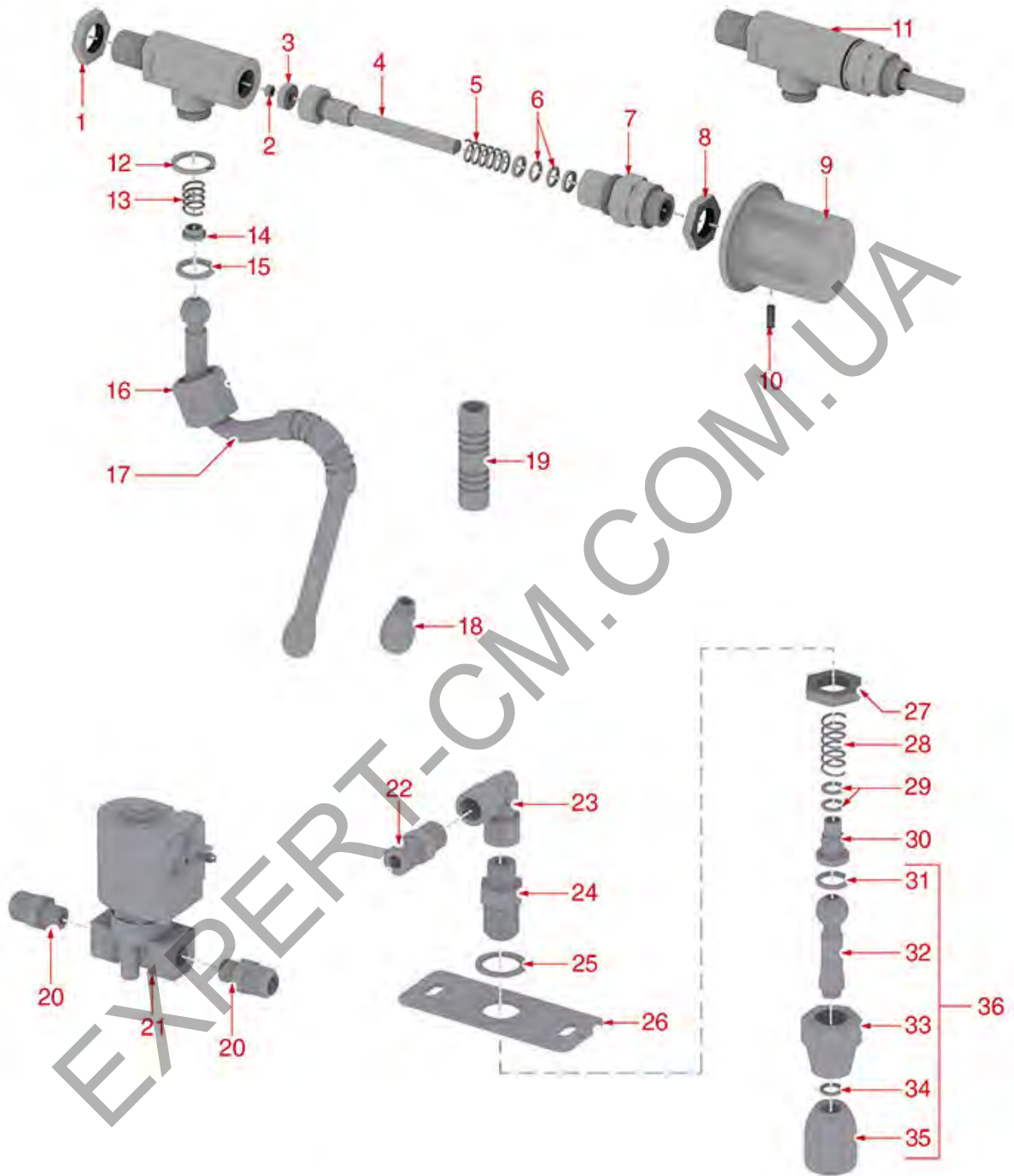


Position	LF code no.	Description
4	1186342	FLAT GASKET $\varnothing$ 11x3x4 mm EPDM
7	1184006	LOW CYLINDER HEAD SCREW M4x12
9	3528010	FLAT WASHER M6
11	1186299	WASHER $\varnothing$ 21x16x1 mm
12	1348029	SEEGER RING J-19
13	1348705	CIRCLIP E- 8
14	1241165	WATER TAP KNOB
15	1241164	STEAM TAP KNOB
16	1449699	COMPLETE WATER PIPE
17	1187501	BURN PREVENTING PIPE HANDGRIP $\varnothing$ 8 mm
18	1449698	STEAM PIPE COMPLETE
19	1186680	CONICAL PTFE SEAL $\varnothing$ 14.5x9x8 mm
20	1186346	O-RING 02043 EPDM
21	1186288	WATER TAP FITTING
22	1250203	SPRING $\varnothing$ 11x30 mm
23	1186201	GASKET FLAT PTFE $\varnothing$ 21x16.8x2 mm
24	1348122	WATER/STEAM TAP
50	1394553	ANALOGICAL THERMOMETER $\varnothing$ 25 mm
51	1394554	ANALOG THERMOMETER $\varnothing$ 45 mm
103	1024051	SERVING COFFEE POT PRATIKA 0.60 L
104	1024052	SERVING COFFEE POT PRATIKA 0.70 L
105	1024053	SERVING COFFEE POT PRATIKA 1.10 L
200	1024001	MILK PITCHER PRATIKA 0.20 L
201	1024002	MILK PITCHER PRATIKA 0.30 L
202	1024003	MILK PITCHER PRATIKA 0.45 L
203	1024004	MILK PITCHER PRATIKA 0.60 L
204	1024005	MILK PITCHER PRATIKA 0.70 L
205	1024006	MILK PITCHER PRATIKA 1.10 L
302	1224901	MILK JUG 0.35 L
303	1224902	MILK JUG 0.60 L
304	1224903	MILK JUG 1 L
305	1224904	MILK JUG 1.5 L
400	1224014	MILK PITCHER EUROPA WITH SPOUT 0.25 L
401	1224015	MILK PITCHER EUROPA WITH SPOUT 0.35 L
402	1224010	MILK PITCHER EUROPA WITH SPOUT 0.50 L
403	1224011	MILK PITCHER EUROPA WITH SPOUT 0.75 L
404	1224012	MILK PITCHER EUROPA WITH SPOUT 1 L
405	1224013	MILK PITCHER EUROPA WITH SPOUT 1.5 L



G11 WATER/STEAM TAP

G11



 0+100°C 50	 0+100°C 51	 INOX 18/10	---	100	 INOX 18/10	0,20L 2 cups	200	 INOX 18/10	---	300	 INOX 18/10	0,25L 2 cups	400
			---	101		0,30L 3 cups	201		---	301		0,35L 3 cups	401
			---	102		0,45L 4 cups	202		---	302		0,50L 4 cups	402
			0,60L 6 cups	103		0,60L 6 cups	203		0,60L 6 cups	303		0,75L 6 cups	403
			0,70L 9 cups	104		0,70L 9 cups	204		1,00L 10 cups	304		1,00L 10 cups	404
			1,10L 12 cups	105		1,10L 12 cups	205		1,50L 12 cups	305		1,50L 13 cups	405
			---	106		---	206		2,00L 15 cups	306		---	406



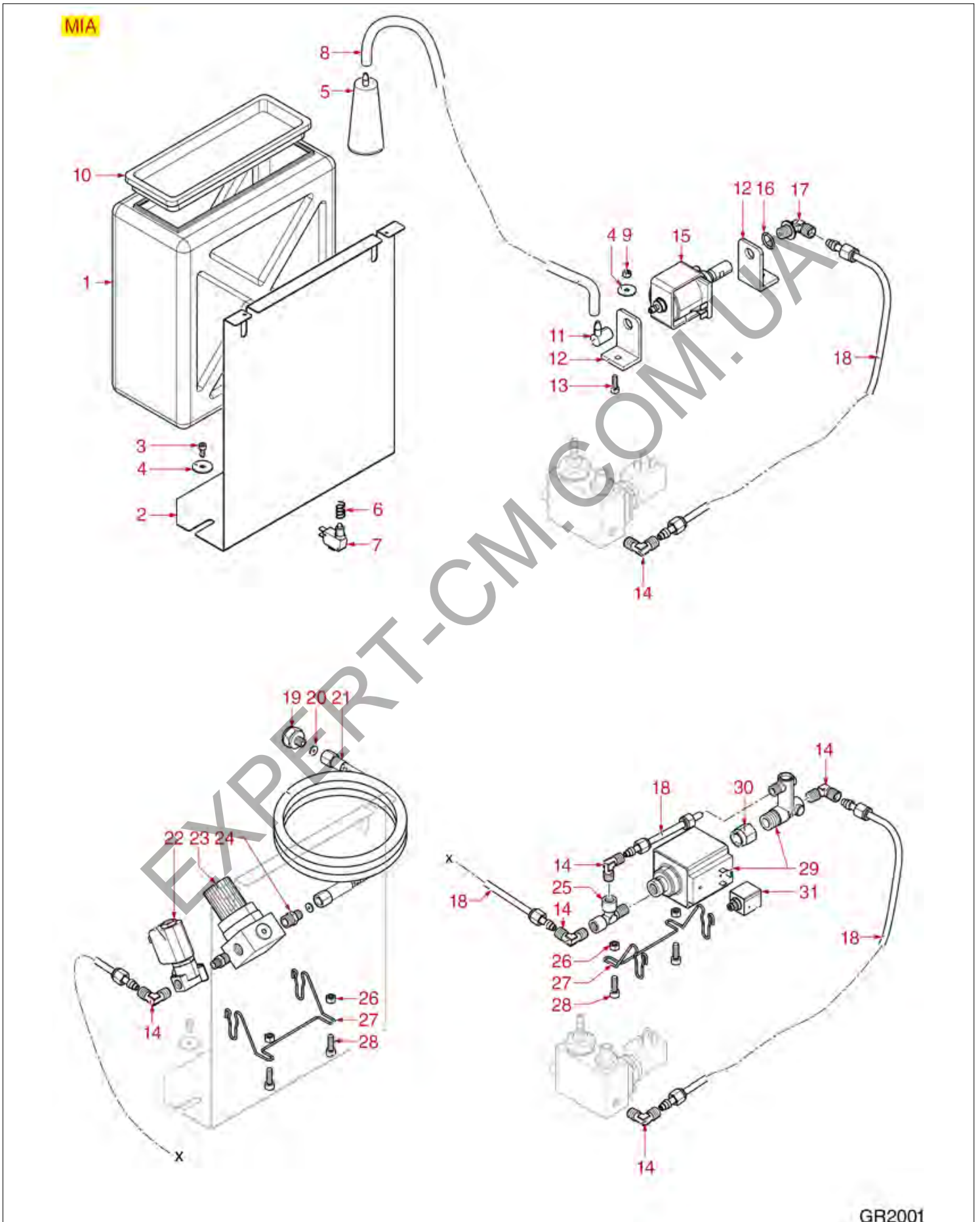
# GRIMAC



Position	LF code no.	Description
3	1186311	NBR FLAT GASKET $\varnothing$ 13x4x4 mm
6	1186556	O-RING R6 EPDM
9	1241333	STEAM TAP KNOB
11	1348211	STEAM TAP
12	1186201	GASKET FLAT PTFE $\varnothing$ 21x16.8x2 mm
13	1250151	SPRING $\varnothing$ 12x15 mm FOR STEAM PIPE
14	1186670	STEAM PIPE ARTICULATION BUSHING $\varnothing$ 12x5mm
15	3060608	O-RING O3050 EPDM
16	1349521	PIPE ARTICULATION FITTING $\varnothing$ 3/8"
17	1449393	STEAM PIPE COMPLETE
18	1449394	STEAM NOZZLE M10x1 4 HOLES
19	1187501	BURN PREVENTING PIPE HANDGRIP $\varnothing$ 8 mm
20	1349111	FITTING $\varnothing$ 1/8"M 1/4"M
21	1120460	2-WAY SOLENOID VALVE LUCIFER 240V 50Hz
22	1349102	FITTING $\varnothing$ 1/4"M-1/4"M
24	1349112	FITTING $\varnothing$ 1/4"M-3/8"M
25	1186620	COPPER FLAT GASKET $\varnothing$ 22x17x1.5 mm
28	1250151	SPRING $\varnothing$ 12x15 mm FOR STEAM PIPE
29	1186556	O-RING R6 EPDM
30	1348213	STEAM PIPE BUSHING
31	1186318	O-RING O3043 EPDM
34	1186556	O-RING R6 EPDM
35	1449332	WATER PIPE NOZZLE
36	1449012	COMPLETE WATER PIPE
50	1394553	ANALOGICAL THERMOMETER $\varnothing$ 25 mm
51	1394554	ANALOG THERMOMETER $\varnothing$ 45 mm
103	1024051	SERVING COFFEE POT PRATIKA 0.60 L
104	1024052	SERVING COFFEE POT PRATIKA 0.70 L
105	1024053	SERVING COFFEE POT PRATIKA 1.10 L
200	1024001	MILK PITCHER PRATIKA 0.20 L
201	1024002	MILK PITCHER PRATIKA 0.30 L
202	1024003	MILK PITCHER PRATIKA 0.45 L
203	1024004	MILK PITCHER PRATIKA 0.60 L
204	1024005	MILK PITCHER PRATIKA 0.70 L
205	1024006	MILK PITCHER PRATIKA 1.10 L
302	1224901	MILK JUG 0.35 L
303	1224902	MILK JUG 0.60 L
304	1224903	MILK JUG 1 L
305	1224904	MILK JUG 1.5 L
400	1224014	MILK PITCHER EUROPA WITH SPOUT 0.25 L
401	1224015	MILK PITCHER EUROPA WITH SPOUT 0.35 L
402	1224010	MILK PITCHER EUROPA WITH SPOUT 0.50 L
403	1224011	MILK PITCHER EUROPA WITH SPOUT 0.75 L
404	1224012	MILK PITCHER EUROPA WITH SPOUT 1 L
405	1224013	MILK PITCHER EUROPA WITH SPOUT 1.5 L



## MIA WATER INLET TAP



GR2001

Positions without LF code no.: upon request



# GRIMAC



Position	LF code no.	Description
3	1455034	CYLINDER HEAD SCREW M4x10
5	3010303	WATER SOFTENER FOR OCS NICAL 125
8	1449681	SILICONE HOSE $\varnothing$ 4x7 SHORE 60 - 5 m
9	3528213	HEXAGONAL NUT MID M5
11	1349651	PIPETTE FITTING 90°
12	1331023	SQUARE DAMPER EX-EP-EK-EA
13	5014713	CYLINDER HEAD SCREW M5x16
14	1349250	"L" COUPLING 1/8" M-1/8" M $\varnothing$ 6 mm
15	1122601	VIBRATORY PUMP EX5 41W 120V 60Hz
15	1122735	VIBRATORY PUMP EX5 48W 230V 50Hz
16	1186411	O-RING 02031 EPDM
17	1349251	"L" COUPLING $\varnothing$ 1/8" M-1/8" M COMPLETE
18	1449502	PTFE PIPE $\varnothing$ 4x6 mm - 10 m
20	1186042	ASBESTOS FREE FLAT GASKET $\varnothing$ 9x5x1 mm
21	1449707	FLEX HOSE $\varnothing$ 1/8" Fc x Fc 1500 mm
22	1120501	2-WAY SOLENOID VALVE M&M 230/240V 50Hz
26	3528213	HEXAGONAL NUT MID M5
28	5014713	CYLINDER HEAD SCREW M5x16
29	1331003	VIBRATORY PUMP FLUID-O-TECH 50W 240V

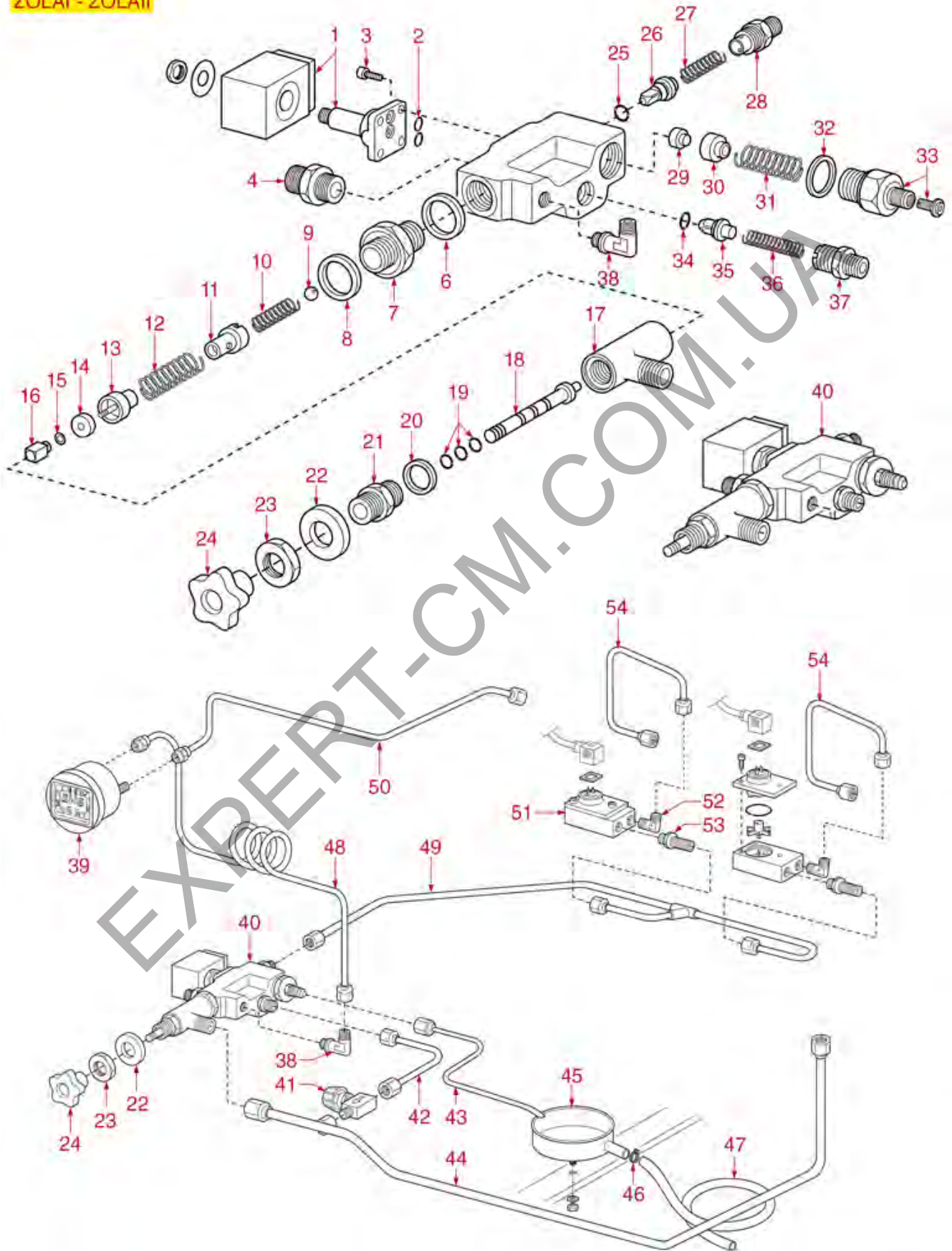
EXPERT-CM.COM.UA





ZOLAI-ZOLAIII WATER INLET TAP

ZOLAI - ZOLAIII



GR2101

Positions without LF code no.: upon request



# GRIMAC



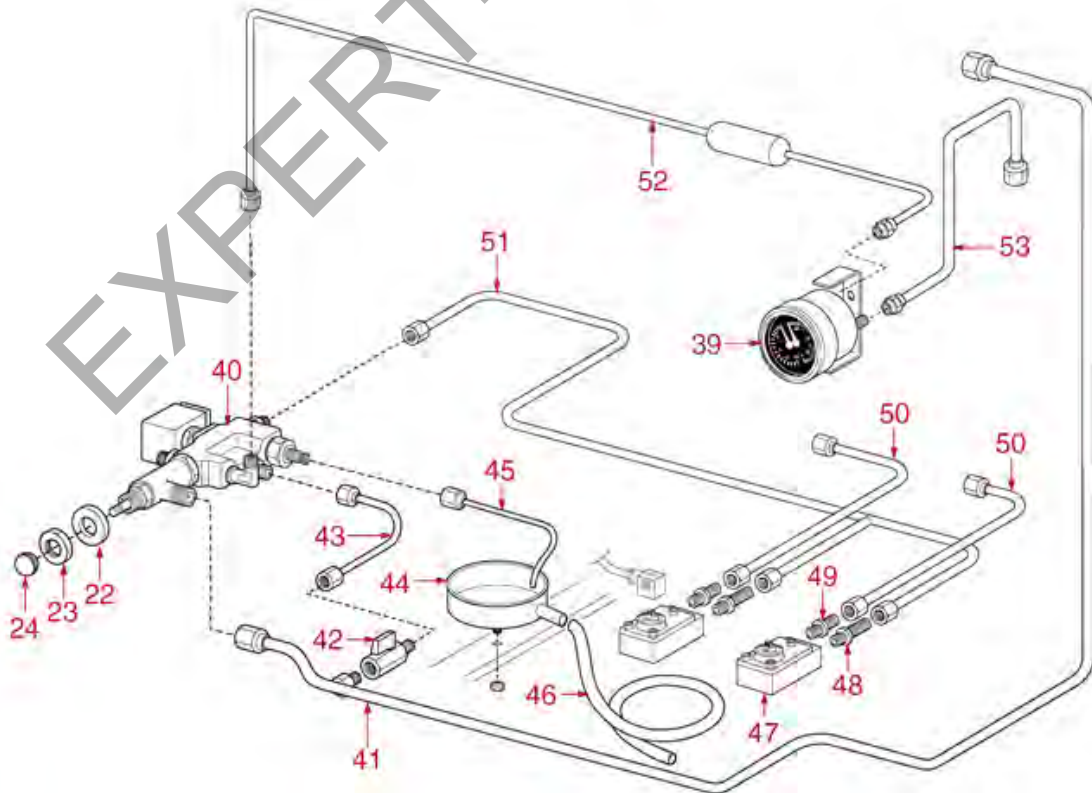
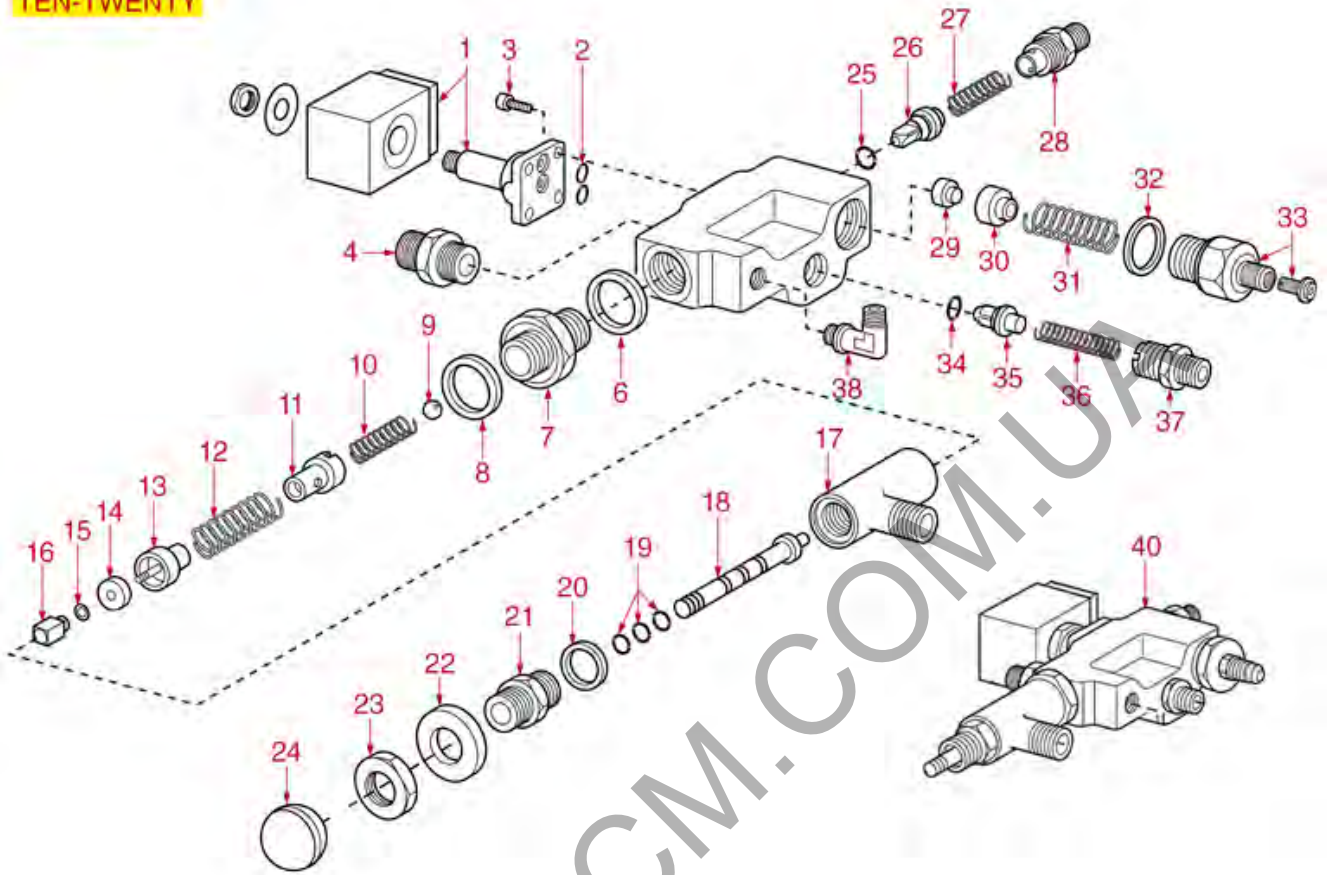
Position	LF code no.	Description
1	1120352	2-WAY SOLENOID VALVE PARKER 230V 50/60Hz
2	1186611	O-RING 02025 RED SILICONE
2	1186612	O-RING 02025 VITON
3	1455034	CYLINDER HEAD SCREW M4x10
6	1186117	PTFE FLAT GASKET $\varnothing$ 26x21x2 mm
8	1186117	PTFE FLAT GASKET $\varnothing$ 26x21x2 mm
9	1323003	STAINLESS STEEL BALL $\varnothing$ 8 mm
12	1250536	SPRING $\varnothing$ 13x42 mm
13	1186309	GASKET HOLDER BUSHING
14	1186311	NBR FLAT GASKET $\varnothing$ 13x4x4 mm
16	1324303	SQUARE PIN 10.1 mm 6x6 mm M3
18	1324302	SPINDLE FOR WATER INLET
19	3243009	O-RING GASKET 0106 EPDM
20	1186314	PTFE FLAT GASKET $\varnothing$ 22x17x2 mm
24	1241603	WATER INLET TAP KNOB
25	1186687	O-RING M 0080-20 VITON
26	1523201	TRIANGULAR NON-RETURN VALVE
29	1186129	FLAT EPDM GASKET $\varnothing$ 15/6x10 mm
30	1186689	GASKET HOLDER FOR TAP
31	1250656	OUTLET SPRING $\varnothing$ 14.5x35 mm
32	1186117	PTFE FLAT GASKET $\varnothing$ 26x21x2 mm
33	1523200	GROUP ADJUSTMENT VALVE
34	1186687	O-RING M 0080-20 VITON
35	1523202	TRIANGULAR NON-RETURN VALVE
39	1245411	BOILER-PUMP PRESSURE GAUGE $\varnothing$ 63 mm
40	1348706	WATER INLET TAP
41	3526699	BALL VALVE $\varnothing$ 1/4" MF
45	1527504	DRAIN TUB $\varnothing$ 80 mm
51	1455067	VOLUMETRIC FLOWMETER GICAR

EXPERT-CM.COM.UA



TEN-TWENTY WATER INLET TAP

TEN-TWENTY





# GRIMAC



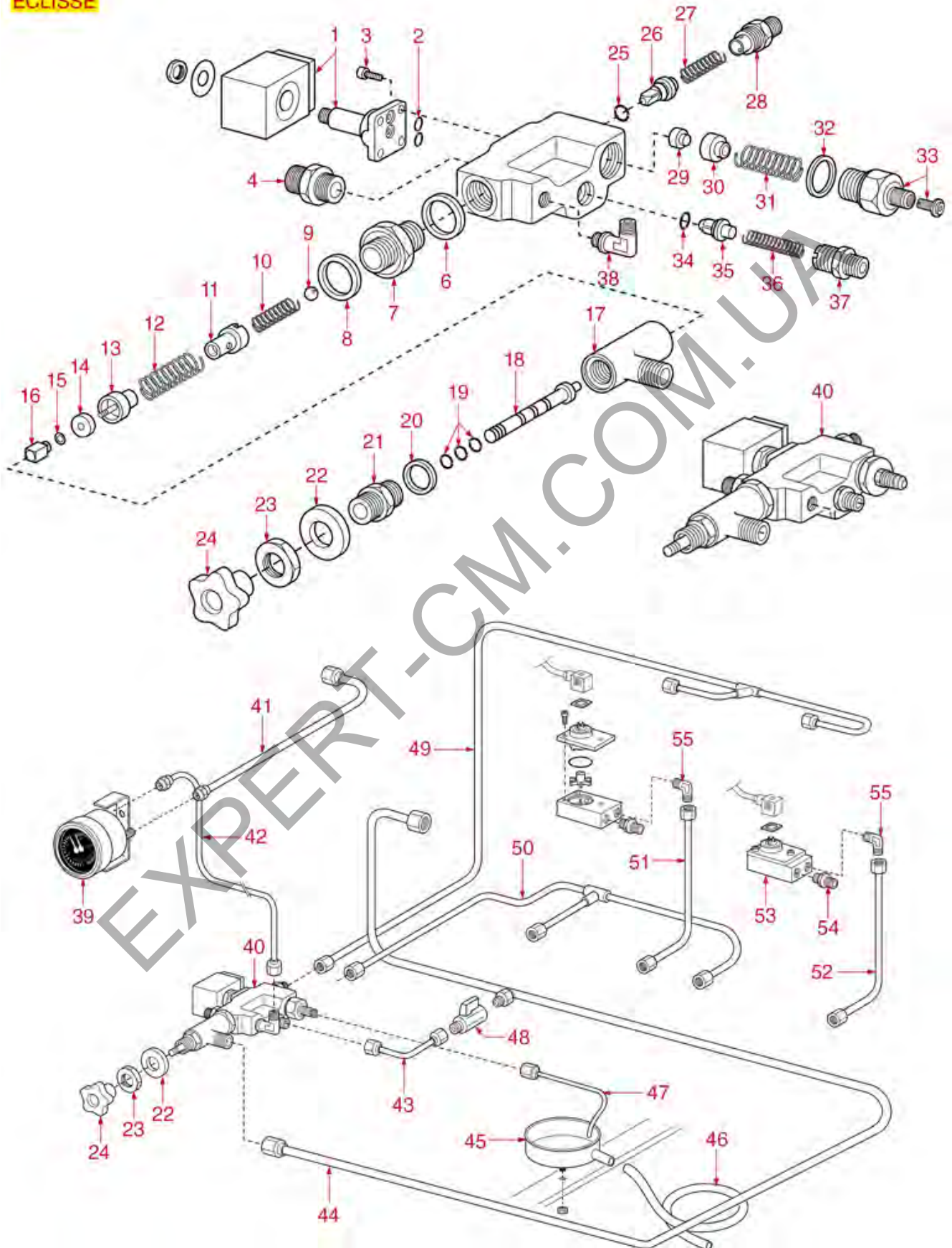
Position	LF code no.	Description
1	1120352	2-WAY SOLENOID VALVE PARKER 230V 50/60Hz
2	1186611	O-RING 02025 RED SILICONE
2	1186612	O-RING 02025 VITON
3	1455034	CYLINDER HEAD SCREW M4x10
6	1186117	PTFE FLAT GASKET $\varnothing$ 26x21x2 mm
8	1186117	PTFE FLAT GASKET $\varnothing$ 26x21x2 mm
9	1323003	STAINLESS STEEL BALL $\varnothing$ 8 mm
12	1250536	SPRING $\varnothing$ 13x42 mm
13	1186309	GASKET HOLDER BUSHING
14	1186311	NBR FLAT GASKET $\varnothing$ 13x4x4 mm
16	1324303	SQUARE PIN 10.1 mm 6x6 mm M3
18	1324302	SPINDLE FOR WATER INLET
19	3243009	O-RING GASKET 0106 EPDM
20	1186314	PTFE FLAT GASKET $\varnothing$ 22x17x2 mm
24	1241605	WATER INLET TAP KNOB
25	1186687	O-RING M 0080-20 VITON
26	1523201	TRIANGULAR NON-RETURN VALVE
29	1186129	FLAT EPDM GASKET $\varnothing$ 15/6x10 mm
30	1186689	GASKET HOLDER FOR TAP
31	1250656	OUTLET SPRING $\varnothing$ 14.5x35 mm
32	1186117	PTFE FLAT GASKET $\varnothing$ 26x21x2 mm
33	1523200	GROUP ADJUSTMENT VALVE
34	1186687	O-RING M 0080-20 VITON
35	1523202	TRIANGULAR NON-RETURN VALVE
39	1245200	BOILER-PUMP PRESSURE GAUGE $\varnothing$ 60 mm
40	1348706	WATER INLET TAP
42	3526699	BALL VALVE $\varnothing$ 1/4" MF
47	1455067	VOLUMETRIC FLOWMETER GICAR
48	1349705	COUPLING $\varnothing$ 3/8"M-3/8"M LOAD EXTENSION

EXPERT-CM.COM.UA



## ECLISSE WATER INLET TAP

**ECLISSE**



GR2301

Positions without LF code no.: upon request



# GRIMAC



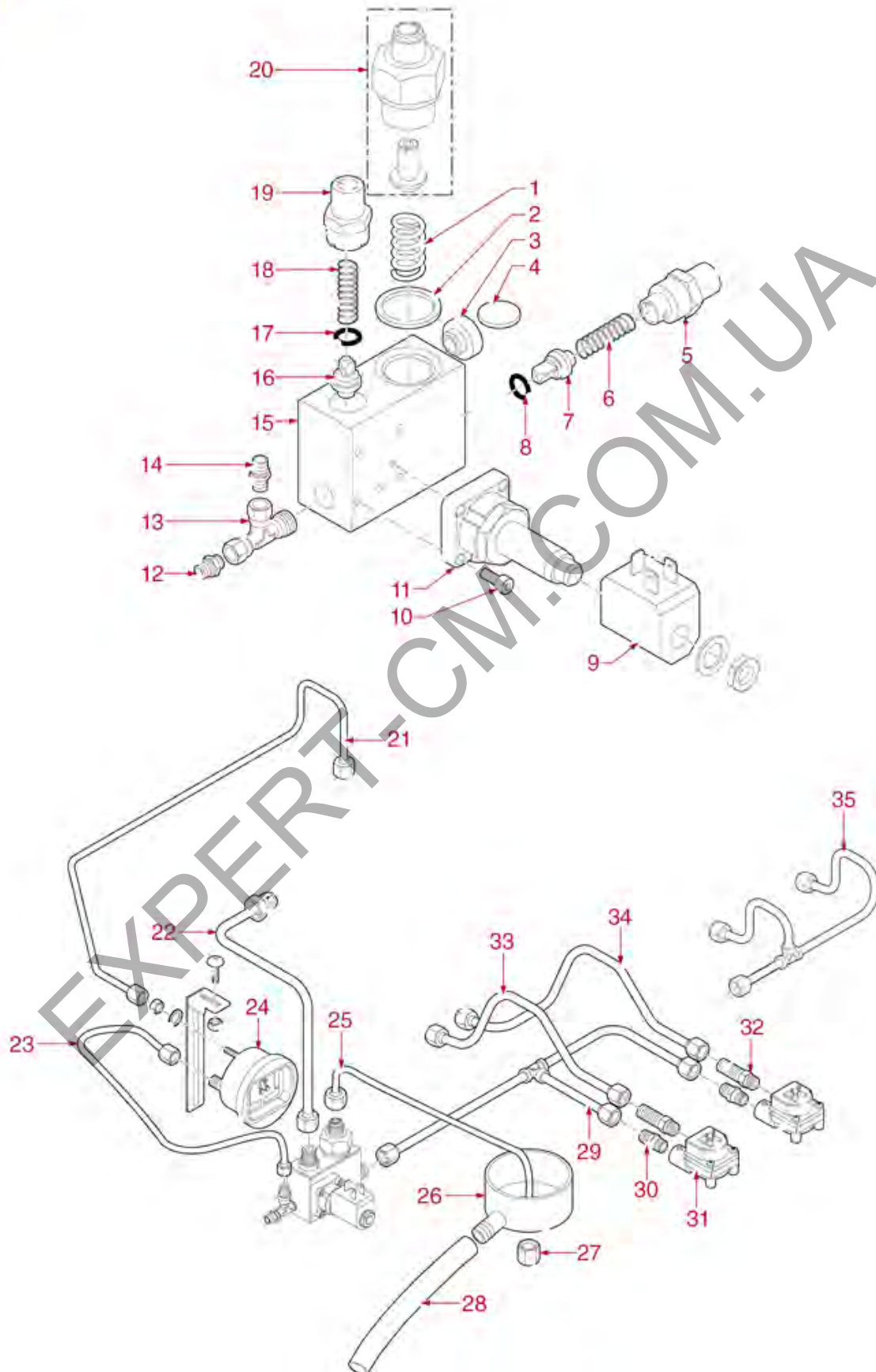
Position	LF code no.	Description
1	1120352	2-WAY SOLENOID VALVE PARKER 230V 50/60Hz
2	1186611	O-RING 02025 RED SILICONE
2	1186612	O-RING 02025 VITON
3	1455034	CYLINDER HEAD SCREW M4x10
6	1186117	PTFE FLAT GASKET $\varnothing$ 26x21x2 mm
8	1186117	PTFE FLAT GASKET $\varnothing$ 26x21x2 mm
9	1323003	STAINLESS STEEL BALL $\varnothing$ 8 mm
12	1250536	SPRING $\varnothing$ 13x42 mm
13	1186309	GASKET HOLDER BUSHING
14	1186311	NBR FLAT GASKET $\varnothing$ 13x4x4 mm
16	1324303	SQUARE PIN 10.1 mm 6x6 mm M3
18	1324302	SPINDLE FOR WATER INLET
19	3243009	O-RING GASKET 0106 EPDM
20	1186314	PTFE FLAT GASKET $\varnothing$ 22x17x2 mm
24	1241605	WATER INLET TAP KNOB
25	1186687	O-RING M 0080-20 VITON
26	1523201	TRIANGULAR NON-RETURN VALVE
29	1186129	FLAT EPDM GASKET $\varnothing$ 15/6x10 mm
30	1186689	GASKET HOLDER FOR TAP
31	1250656	OUTLET SPRING $\varnothing$ 14.5x35 mm
32	1186117	PTFE FLAT GASKET $\varnothing$ 26x21x2 mm
33	1523200	GROUP ADJUSTMENT VALVE
34	1186687	O-RING M 0080-20 VITON
35	1523202	TRIANGULAR NON-RETURN VALVE
39	1245200	BOILER-PUMP PRESSURE GAUGE $\varnothing$ 60 mm
40	1348706	WATER INLET TAP
48	3526699	BALL VALVE $\varnothing$ 1/4" MF

EXPERT-CM.COM.UA



## G10 WATER INLET TAP

G10



GR2401

Positions without LF code no.: upon request



# GRIMAC



Position	LF code no.	Description
1	1250656	OUTLET SPRING $\varnothing$ 14.5x35 mm
2	1186326	PTFE FLAT GASKET $\varnothing$ 22x16x2 mm
4	1186129	FLAT EPDM GASKET $\varnothing$ 15/6x10 mm
6	1250071	NON-RETURN VALVE SPRING $\varnothing$ 8x32 mm
7	1523201	TRIANGULAR NON-RETURN VALVE
8	1186687	O-RING M 0080-20 VITON
9	3120032	COIL PARKER ZB09 9W 220/240V 50/60Hz
10	1455034	CYLINDER HEAD SCREW M4x10
13	3349355	NICHEL-PL.T-FITTING $\varnothing$ 1/8"F-1/8"F-1/8"F
17	1186687	O-RING M 0080-20 VITON
18	1250071	NON-RETURN VALVE SPRING $\varnothing$ 8x32 mm
24	1245201	BOILER-PUMP PRESSURE GAUGE $\varnothing$ 63 mm
27	3060069	HEXAGONAL NUT M8 MEDIUM
31	1455067	VOLUMETRIC FLOWMETER GICAR

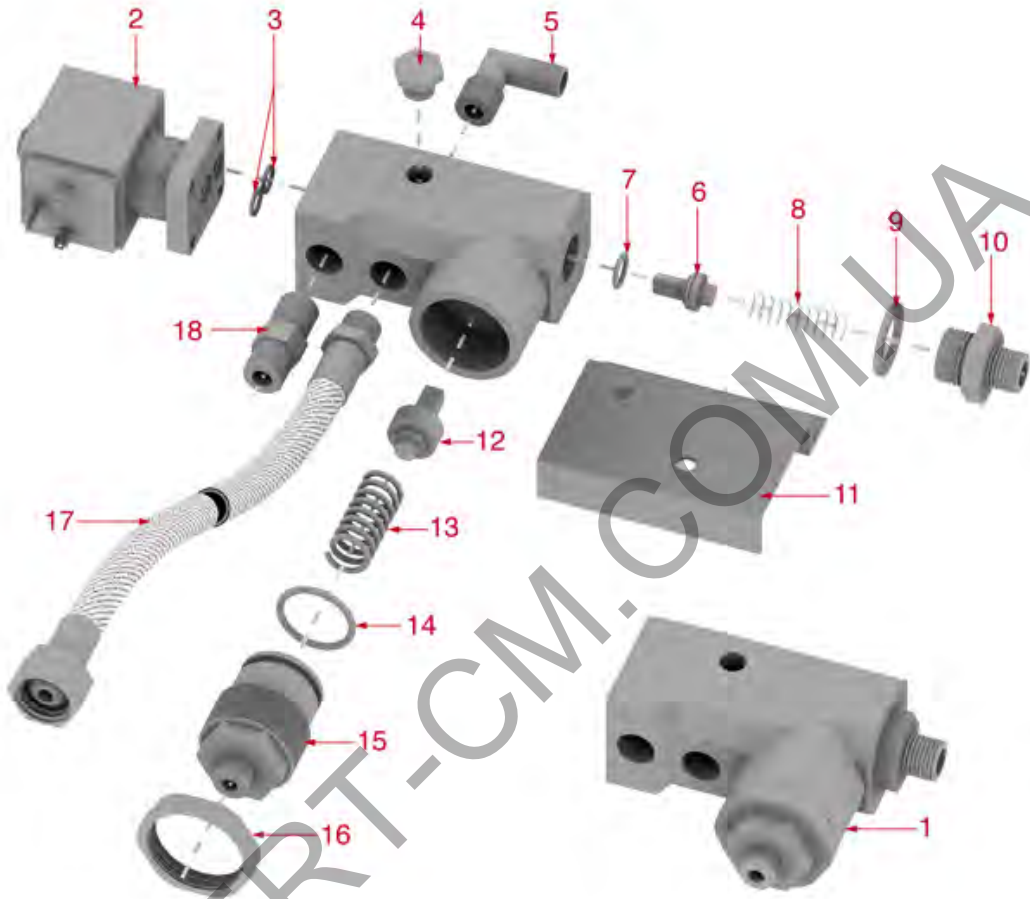
EXPERT-CM.COM.UA





G11 WATER INLET TAP

G11



EXPERT-CM.COM.UA

<p>3/4</p> <p>50</p>	<p>3/4 2000 mm</p> <p>51</p>	<p>100 101 102 103 104 105 106 107 108 109</p>	<p>C P</p> <p>200 201 202 203 204 205 206 207 208 209</p>	<p>C P</p> <p>300 301 302 303 304 305 306 307 308 309</p>	<p>C P</p> <p>400 401 402 403 404 405 406 407 408 409</p>
		<p>5m 12x18 100</p> <p>30m 12x18 101</p> <p>5m 14x20 102</p> <p>30m 14x20 103</p> <p>5m 16x23 104</p> <p>30m 16x23 105</p> <p>5m 18x25 106</p> <p>30m 18x25 107</p> <p>5m 20x27 108</p> <p>30m 20x27 109</p>	<p>3/4-PP 100 cm 200</p> <p>3/4-PP 150 cm 201</p> <p>3/4-PP 200 cm 202</p> <p>3/8-PP 100 cm 203</p> <p>3/8-PP 150 cm 204</p> <p>3/8-PP 200 cm 205</p> <p>3/8-CC 50 cm 206</p> <p>3/8-CC 75 cm 207</p> <p>3/8-CC 100 cm 208</p> <p>3/8-CC 150 cm 209</p>	<p>3/8-CP 30 cm 300</p> <p>3/8-CP 50 cm 301</p> <p>3/8-CP 80 cm 302</p> <p>3/8-CP 100 cm 303</p> <p>3/8-CP 120 cm 304</p> <p>3/8-CP 150 cm 305</p> <p>1/8-PP 30 cm 306</p> <p>1/8-PP 60 cm 307</p> <p>1/8-CC 37 cm 308</p> <p>1/8-CC 150 cm 309</p>	<p>3/4-PP 100 cm 400</p> <p>3/4-PP 150 cm 401</p> <p>3/4-PP 200 cm 402</p> <p>3/4-PP 250 cm 403</p> <p>3/8-PP 37 cm 404</p> <p>3/8-PP 50 cm 405</p> <p>3/8-CC 50 cm 406</p> <p>3/8-CC 100 cm 407</p> <p>3/8-CC 150 cm 408</p> <p>409</p>



# GRIMAC

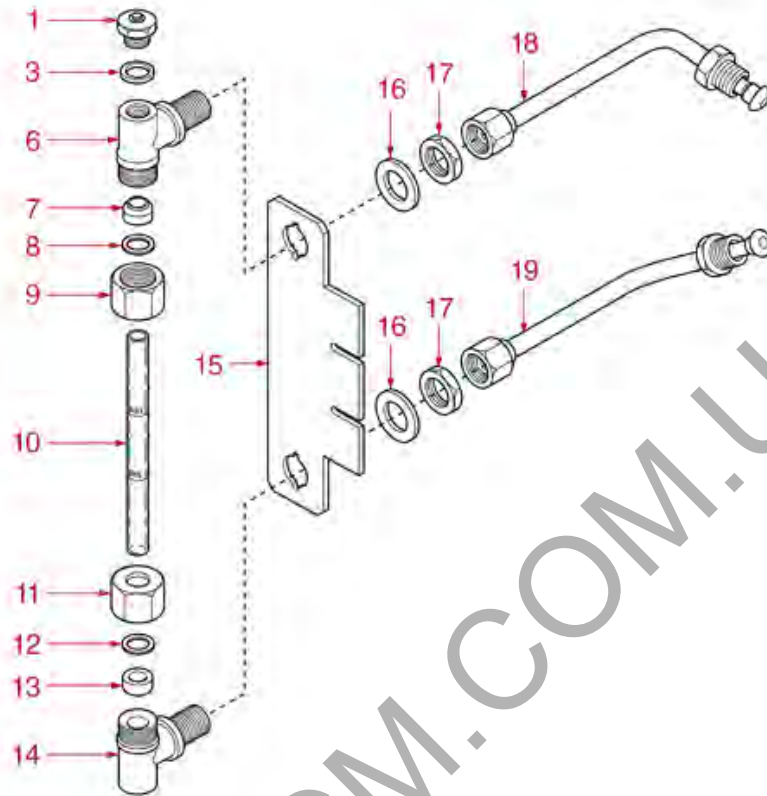


Position	LF code no.	Description
1	1358001	WATER INLET TAP
2	1120331	2-WAY SOLENOID VALVE LUCIFER 240V 50Hz
3	1186612	O-RING 02025 VITON
5	1349079	L- FITTING $\varnothing$ 1/4"M 1/8"M
6	1523437	NON-RETURN VALVE
9	1186326	PTFE FLAT GASKET $\varnothing$ 22x16x2 mm
12	1523412	INLET VALVE
18	1349102	FITTING $\varnothing$ 1/4"M-1/4"M
50	1449104	DRAIN ELBOW 3/4"
51	1449876	DRAIN PIPE $\varnothing$ 3/4"F 1500 mm
100	1449670	DRAIN PIPE ELISPIR $\varnothing$ 12x18 mm - 5 m
101	1449270	DRAIN PIPE ELISPIR $\varnothing$ 12x18 mm - 30 m
102	1449671	DRAIN PIPE ELISPIR $\varnothing$ 14x20 mm - 5 m
103	1449271	DRAIN PIPE ELISPIR $\varnothing$ 14x20 mm - 30 m
104	1449672	DRAIN PIPE ELISPIR $\varnothing$ 16x23 mm - 5 m
105	1449272	DRAIN PIPE ELISPIR $\varnothing$ 16x23 mm - 30 m
106	1449673	DRAIN PIPE ELISPIR $\varnothing$ 18x25 mm - 5 m
107	1449273	DRAIN PIPE ELISPIR $\varnothing$ 18x25 mm - 30 m
108	1449674	DRAIN PIPE ELISPIR $\varnothing$ 20x27 mm - 5 m
109	1449274	DRAIN PIPE ELISPIR $\varnothing$ 20x27 mm - 30 m
200	3449036	FLEX HOSE $\varnothing$ 3/4" Fp x Fp 1000 mm
201	3449032	FLEX HOSE $\varnothing$ 3/4" Fp x Fp 1500 mm
202	3449033	FLEX HOSE $\varnothing$ 3/4" Fp x Fp 2000 mm
203	1449724	FLEX HOSE $\varnothing$ 3/8" Fp x Fp 1000 mm
204	1449726	FLEX HOSE $\varnothing$ 3/8" Fp x Fp 1500 mm
205	1449089	FLEX HOSE $\varnothing$ 3/8" Fp x Fp 2000 mm
206	1449722	FLEX HOSE $\varnothing$ 3/8" Fc x Fc 500 mm
207	1449705	FLEX HOSE $\varnothing$ 3/8" Fc x Fc 750 mm
208	1449723	FLEX HOSE $\varnothing$ 3/8" Fc x Fc 1000 mm
209	1449725	FLEX HOSE $\varnothing$ 3/8" Fc x Fc 1500 mm
300	1449710	FLEX HOSE $\varnothing$ 3/8" Fp x Fc 300 mm
301	1449711	FLEX HOSE $\varnothing$ 3/8" Fp x Fc 500 mm
302	1449712	FLEX HOSE $\varnothing$ 3/8" Fp x Fc 800 mm
303	1449713	FLEX HOSE $\varnothing$ 3/8" Fp x Fc 1000 mm
304	1449714	FLEX HOSE $\varnothing$ 3/8" Fp x Fc 1200 mm
305	1449715	FLEX HOSE $\varnothing$ 3/8" Fp x Fc 1500 mm
306	1449708	FLEX HOSE $\varnothing$ 1/8" Fp x Fp 300 mm
307	1449709	FLEX HOSE $\varnothing$ 1/8" Fp x Fp 600 mm
308	1449706	FLEX HOSE $\varnothing$ 1/8" Fc x Fc 370 mm
309	1449707	FLEX HOSE $\varnothing$ 1/8" Fc x Fc 1500 mm
400	3449037	FLEX HOSE $\varnothing$ 3/4" Fp x CFp 1000 mm
401	3449034	FLEX HOSE $\varnothing$ 3/4" Fp x CFp 1500 mm
402	3449035	FLEX HOSE $\varnothing$ 3/4" Fp x CFp 2000 mm
403	3449038	FLEX HOSE $\varnothing$ 3/4" Fp x CFp 2500 mm
404	1449718	FLEX HOSE $\varnothing$ 3/8" Fp x CFp 370 mm
405	1449703	FLEX HOSE $\varnothing$ 3/8" Fp x CFp 2000 mm
406	1449732	FLEX HOSE $\varnothing$ 3/8" Fc x CFc 500 mm
407	1449734	FLEX HOSE $\varnothing$ 3/8" Fc x CFc 1000 mm
408	1449736	FLEX HOSE $\varnothing$ 3/8" Fc x CFc 1500 mm

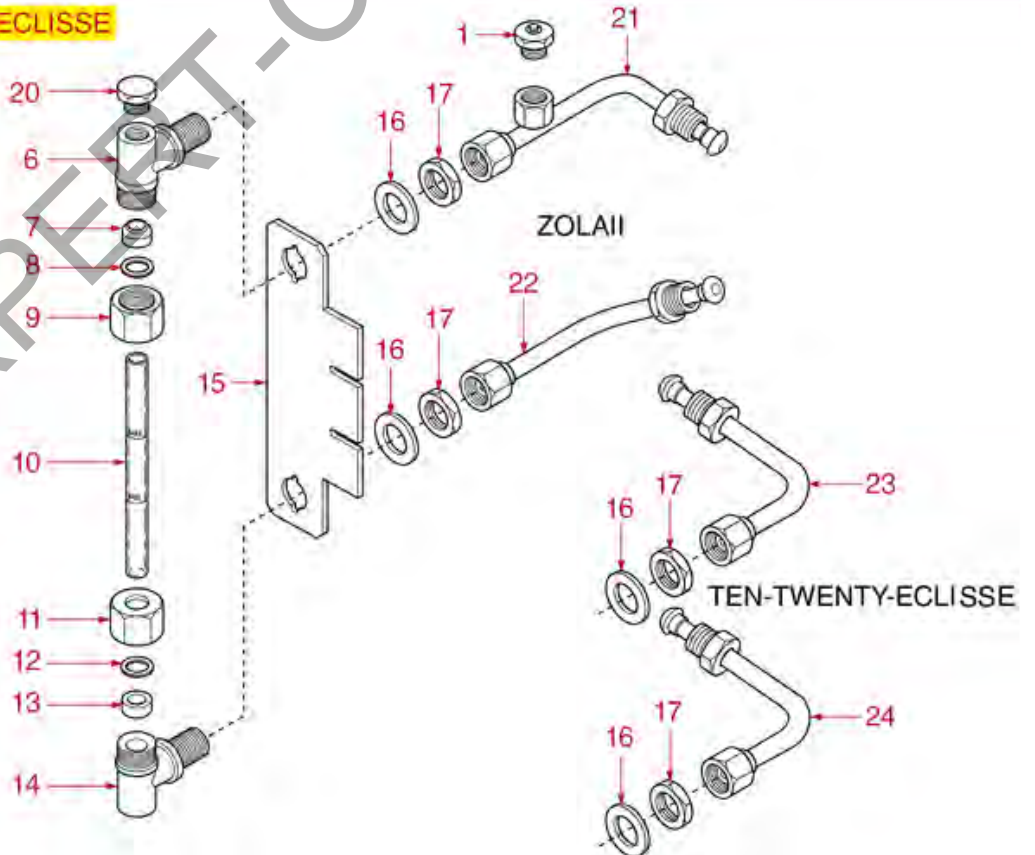


ZOLAI-ZOLAI-TEN-TWENTY-ECLISSE LEVEL

ZOLAI



ZOLAI-TEN-TWENTY-ECLISSE





# GRIMAC

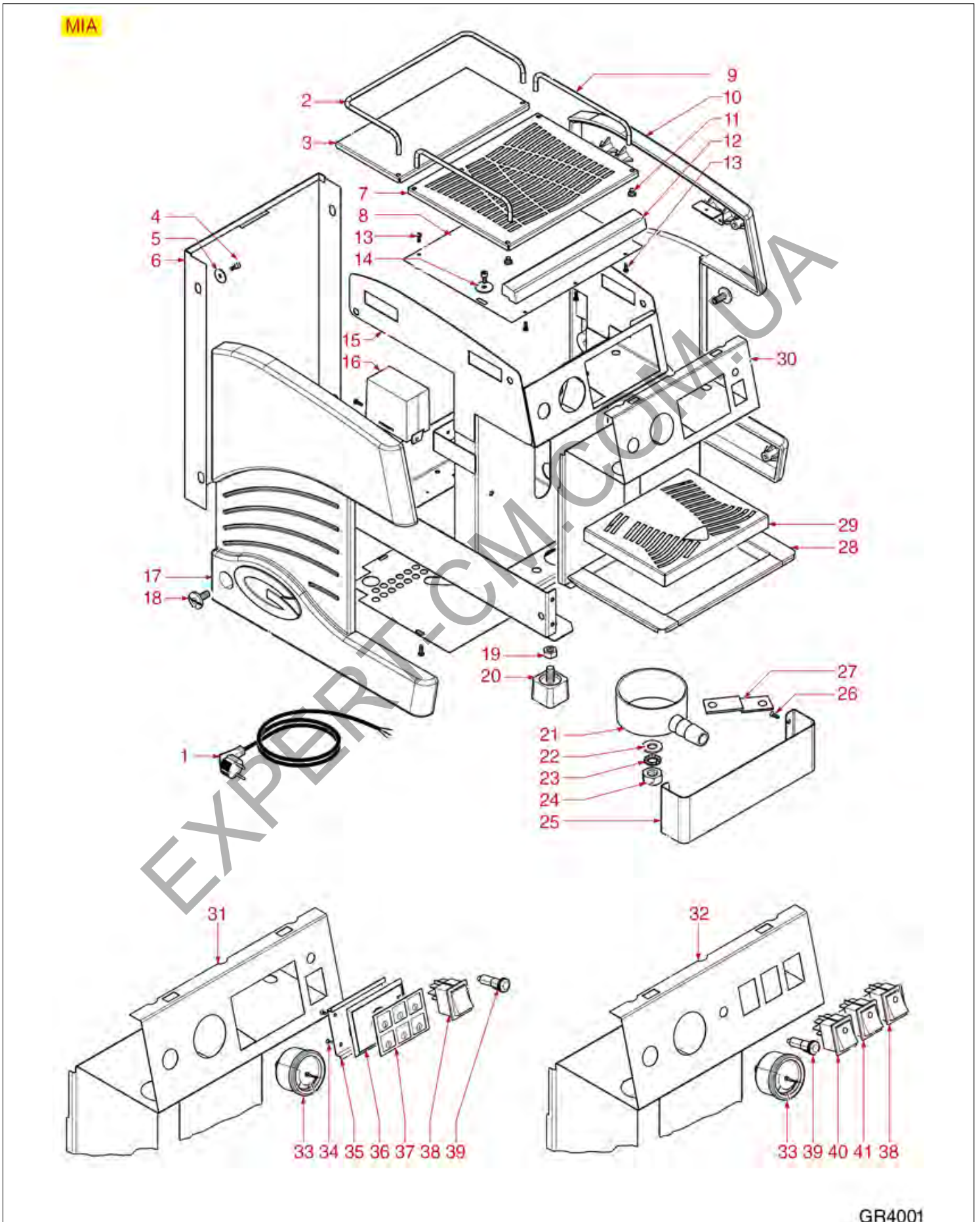


Position	LF code no.	Description
1	1523537	BOILER VALVE $\varnothing$ 1/4"M
7	1186206	EPDM FLAT GASKET $\varnothing$ 16x10x8 mm
8	1186685	BRASS WASHER $\varnothing$ 18x11.3x4.5 mm FLAT
10	1520100	LEVEL GAUGE GLASS $\varnothing$ 11x140 mm
12	1186685	BRASS WASHER $\varnothing$ 18x11.3x4.5 mm FLAT
13	1186206	EPDM FLAT GASKET $\varnothing$ 16x10x8 mm

EXPERT-CM.COM.UA



## MIA BODY AND ELECTRICAL PARTS



Positions without LF code no.: upon request



# GRIMAC

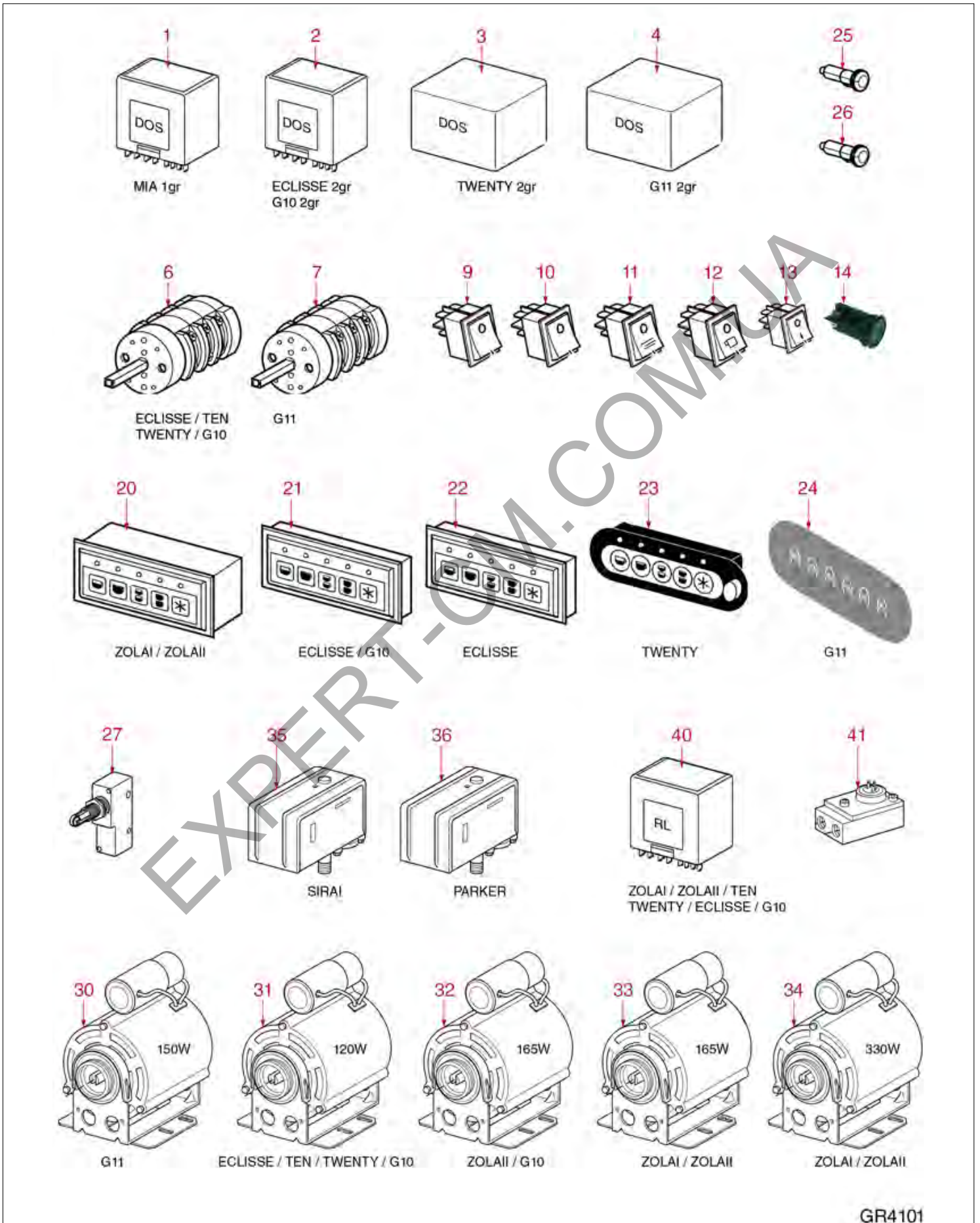


Position	LF code no.	Description
5	1455034	CYLINDER HEAD SCREW M4x10
14	1528117	WASHER FLAT LARGE M4
16	1054043	DOSER CONTROL BOX 1 GROUP 230V
16	1341036	LEVEL REGULATOR MFC2SG 220V
33	1245044	BOILER PRESSURE GAUGE ø 41 mm 0÷2,5 bar
38	3319294	BLACK BIPOLAR SWITCH 16A 250V
39	3221080	RED INDICATOR LAMP 230V
40	1319809	BLACK BIPOLAR SWITCH 16A 250V
41	1319806	BLACK BIPOLAR SWITCH 16A 250V

EXPERT-CM.COM.UA



## ELECTRICAL PARTS ALL MODELS



Positions without LF code no.: upon request



# GRIMAC



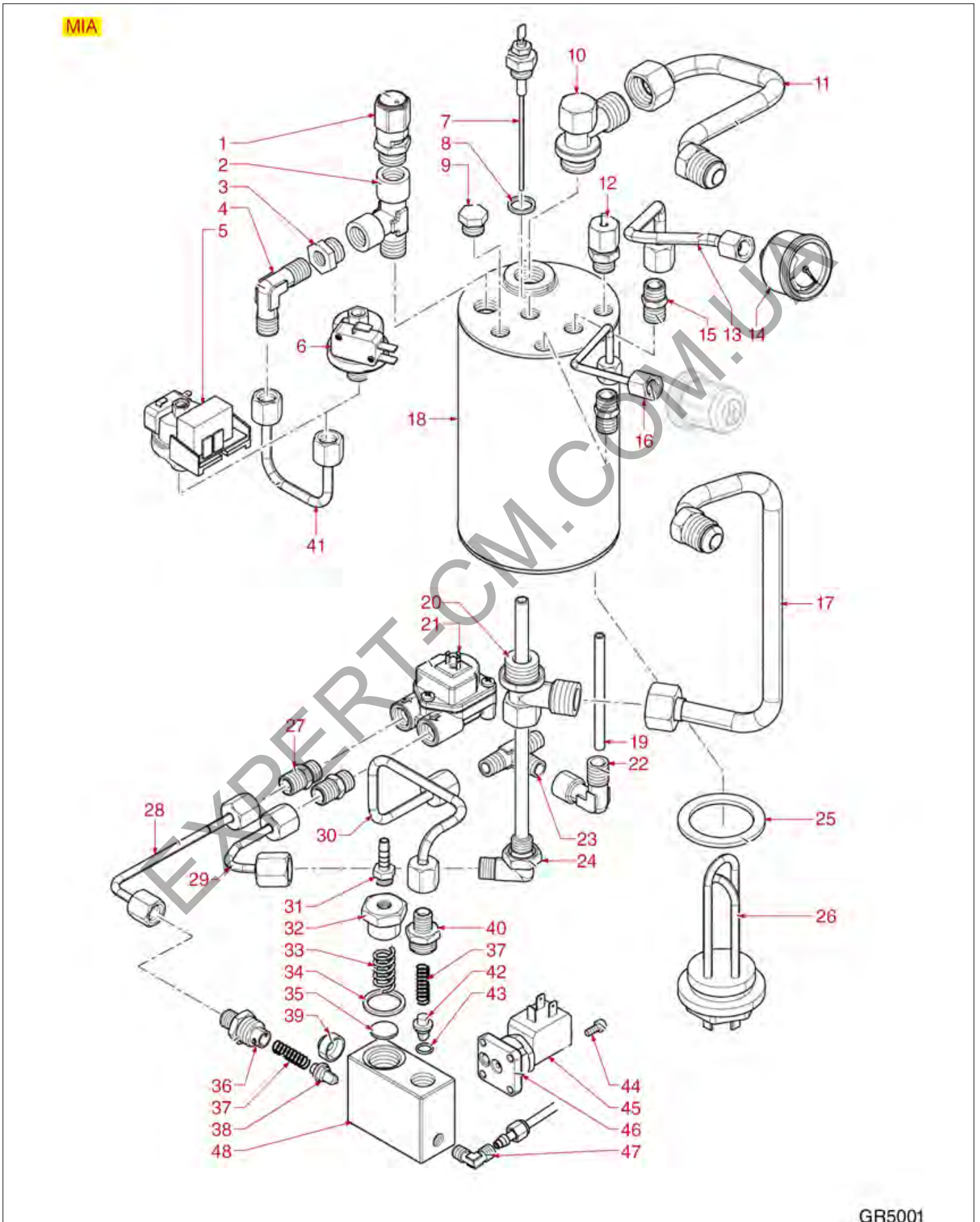
Position	LF code no.	Description
1	1054043	DOSER CONTROL BOX 1 GROUP 230V
2	1054101	DOSER CONTROL BOX 2 GROUPS 230V
3	1054042	DOSER CONTROL BOX 2 GROUPS 240V
4	1054025	DOSER CONTROL BOX 2-3 GROUPS 230V
6	1357200	SELECTOR SWITCH 0-2 POSITIONS 16A 600V
7	1057020	SELECTOR SWITCH 0-2 POSITIONS 25A 600V
9	3319296	BLACK BIPOLAR SWITCH 16A 250V
10	3319294	BLACK BIPOLAR SWITCH 16A 250V
11	1319806	BLACK BIPOLAR SWITCH 16A 250V
12	1319809	BLACK BIPOLAR SWITCH 16A 250V
13	1319392	BLACK BIPOLAR SWITCH 10A 250V
14	1319463	BLACK BIPOLAR PUSH BUTTON 16A 250V
20	1054100	CONTROL-BOX P.BUT.PANEL 5 BUTTONS
21	1319600	PUSH-BUTTON PANEL 5 BUTTONS
22	1319601	PUSH-BUTTON PANEL 5 BUTTONS
23	1319602	PUSH-BUTTON PANEL 6 BUTTONS
24	1319585	PUSH-BUTTON PANEL 6 BUTTONS
25	3221095	ORANGE INDICATOR LAMP 230V
26	3221080	RED INDICATOR LAMP 230V
27	1240841	MICROSWITCH 15A 250V
30	1240072	MOTOR IPC 150W 230V 1.2A 50/60Hz 6 µf
31	1240281	CLAMP RPM MOTOR 120W
32	1240702	MOTOR RPM WITH CLAMP CONNECTION 165W
33	1240703	MOTOR RPM WITH CLAMP CONNECTION 165W
34	1240602	RPM MOTOR WITH CLAMP CONNECTION 330W
35	1320531	PRESSURE SWITCH P302/6 3-POLES 30A
36	1320541	PRESSURE SWITCH PARKER
40	1341316	LEVEL ADJUSTER RLC302CF 230V
41	1455067	VOLUMETRIC FLOWMETER GICAR

EXPERT-CM.COM.UA





## MIA BOILER





# GRIMAC

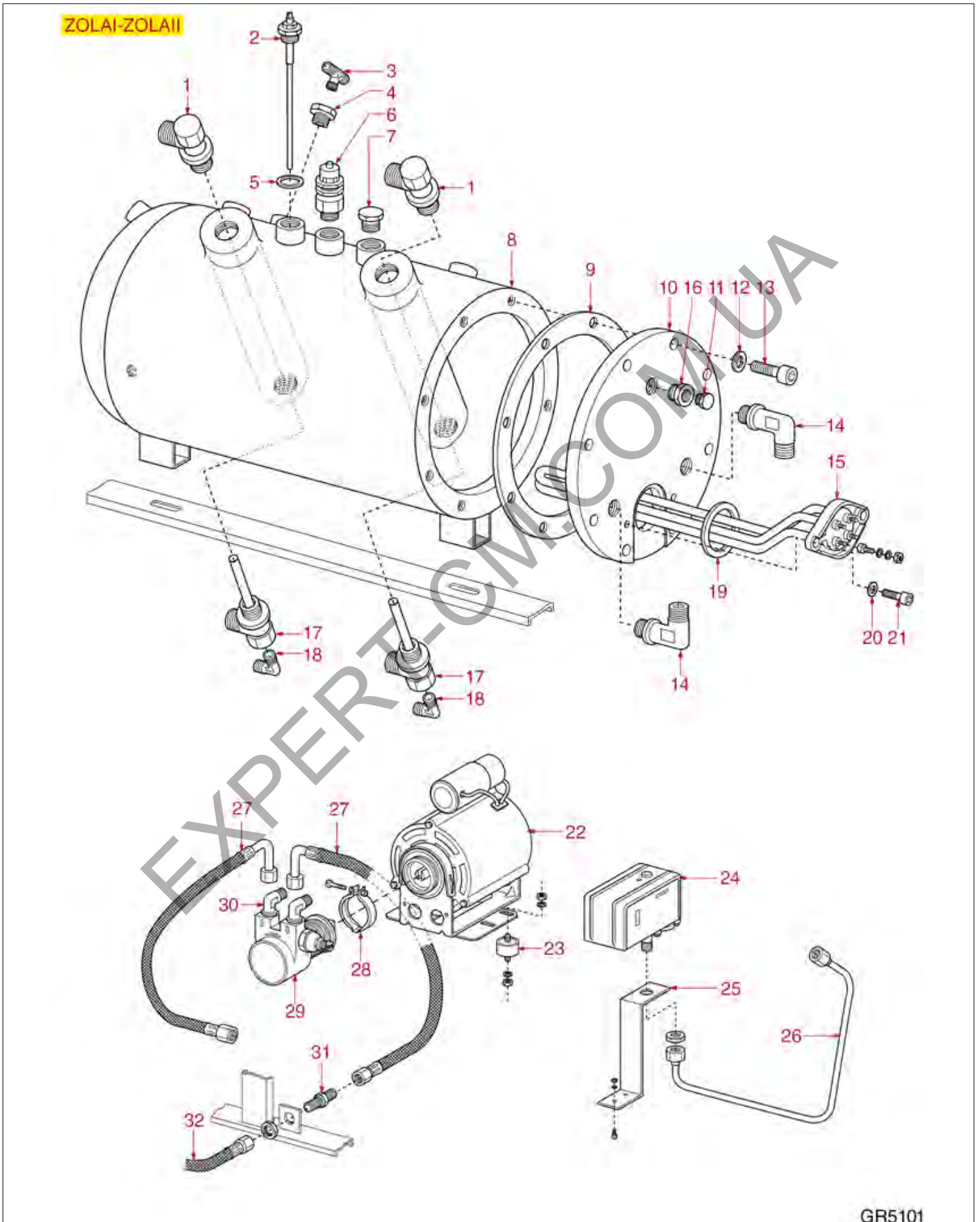


Position	LF code no.	Description
1	1515002	BOILER VALVE ø 3/8"M CE-PED
2	1349708	NICHEL PLATED T-FITTING ø 3/8"F-3/8"F
4	1349710	NICHEL PLATED L-FITTING ø 1/4"M-1/4"M
7	1341750	LEVEL PROBE ø 1/4"M-125 mm
8	1186680	CONICAL PTFE SEAL ø 14.5x9x8 mm
10	1349711	NICHEL PLATED L-FITTING ø 1/2"M-1/2"M
12	1523538	BOILER VALVE ø 1/4"M
14	1245044	BOILER PRESSURE GAUGE ø 41 mm 0÷2,5 bar
20	5500019	BOILER FITTING ø 1/2"M-1/2"M-1/4"F
21	1455067	VOLUMETRIC FLOWMETER GICAR
22	1349717	NICHEL PLATED L-FITTING ø 1/4"M-1/4"F
23	3349356	NICHEL-PL.T-FITTING ø 1/8"M-1/8"M-1/8"M
25	1186623	PTFE FLAT GASKET ø 53x43x3 mm
25	1186633	FLAT CARBO GASKET ø 53x42x3 mm
25	3186010	ASBESTOS FREE FLAT GASKET ø 54x42x2 mm
26	1755603	HEATING ELEMENT 1300W 230V
31	1349653	HOSE-END FITTING ø 1/8"M ø 6 NICKEL
33	1250656	OUTLET SPRING ø 14.5x35 mm
34	1186326	PTFE FLAT GASKET ø 22x16x2 mm
35	1186129	FLAT EPDM GASKET ø 15/6x10 mm
37	1250071	NON-RETURN VALVE SPRING ø 8x32 mm
38	1523201	TRIANGULAR NON-RETURN VALVE
43	1186687	O-RING M 0080-20 VITON
44	1455034	CYLINDER HEAD SCREW M4x10
45	1120336	COIL PARKER ZB09 9W 110/120V 50/60Hz
45	3120032	COIL PARKER ZB09 9W 220/240V 50/60Hz
47	1349250	"L"COUPLING 1/8"M-1/8"M ø 6 mm

EXPERT-CM.COM.UA



## ZOLAI-ZOLAI BOILER



GR5101

Positions without LF code no.: upon request



# GRIMAC



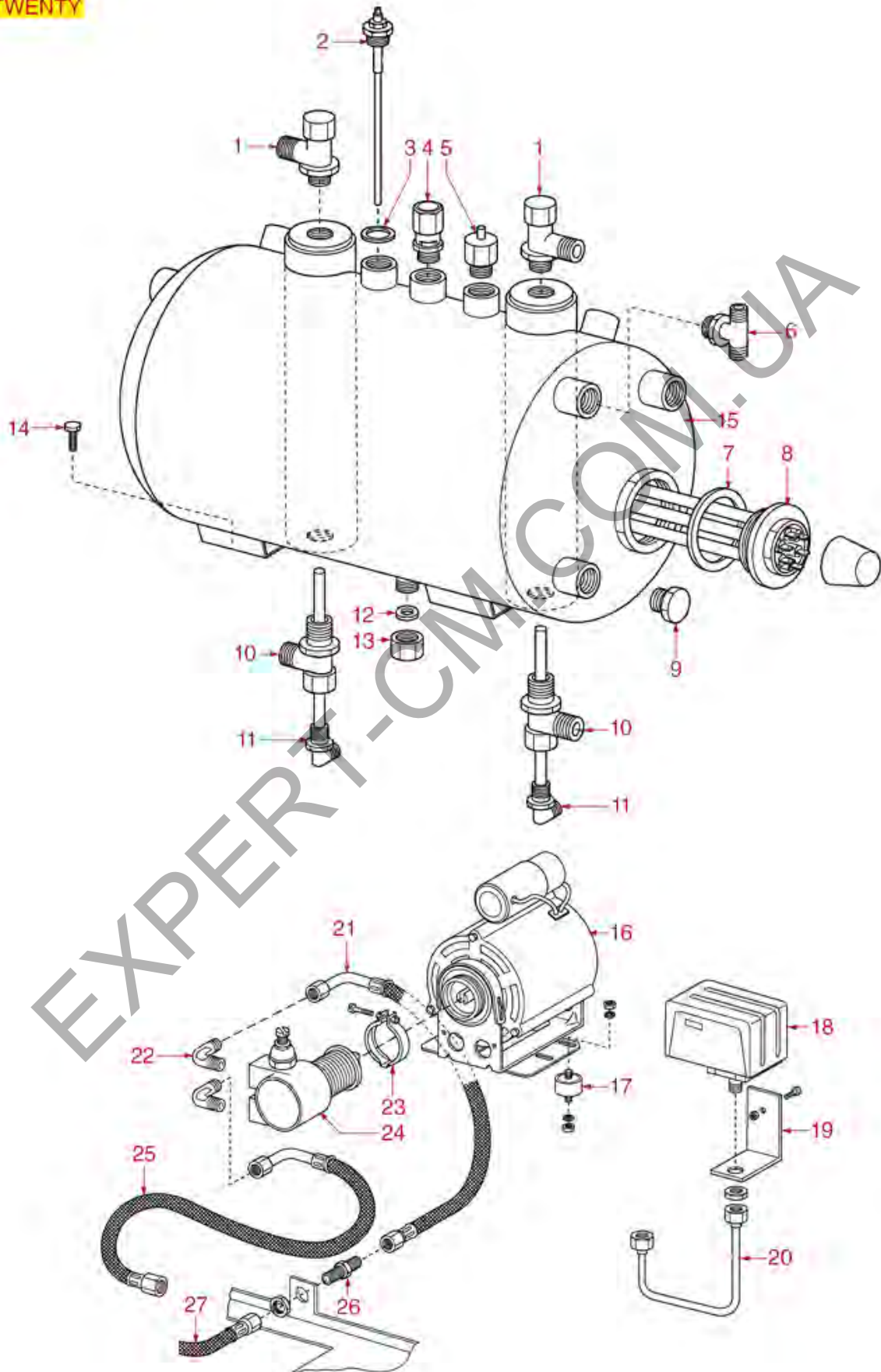
Position	LF code no.	Description
	1186690	BOILER GASKET $\varnothing$ 210x170x3 mm
1	1349014	BOILER FITTING $\varnothing$ 1/2"M-1/2"M
2	1341751	LEVEL PROBE $\varnothing$ 1/4"M-150 mm
3	3349356	NICHEL-PL.T-FITTING $\varnothing$ 1/8"M-1/8"M-1/8"M
6	1515100	BOILER VALVE $\varnothing$ 3/8"M 1.8bar CE-PED
9	1186690	BOILER GASKET $\varnothing$ 210x170x3 mm
15	1755400	HEATING ELEMENT 3200W 230V
15	1755401	HEATING ELEMENT 4500W 230V
15	1755402	HEATING ELEMENT 6000W 230V
17	1349278	BOILER FITTING $\varnothing$ 1/2"M-1/2"M-1/4"F
18	1449696	INJECTION PIPE $\varnothing$ 1/4"M
19	1186179	PTFE FLAT GASKET $\varnothing$ 57x43x3 mm
22	1240702	MOTOR RPM WITH CLAMP CONNECTION 165W
24	1320531	PRESSURE SWITCH P302/6 3-POLES 30A
24	1320541	PRESSURE SWITCH PARKER
27	1449705	FLEX HOSE $\varnothing$ 3/8" Fc x Fc 750 mm
28	1168011	STAINLESS STEEL CLAMP FOR FLANGE PUMP
29	1330001	ROTARY VANE PUMP ROTOFLOW $\varnothing$ 3/8" NPT
30	1349706	L-FITTING $\varnothing$ 3/8"M-3/8"M NICKEL-PLATED
31	1349705	COUPLING $\varnothing$ 3/8"M-3/8"M LOAD EXTENSION
32	1449725	FLEX HOSE $\varnothing$ 3/8" Fc x Fc 1500 mm

EXPERT-CM.COM.UA



## TEN-TWENTY BOILER

TEN-TWENTY



GR5201

Positions without LF code no.: upon request



# GRIMAC



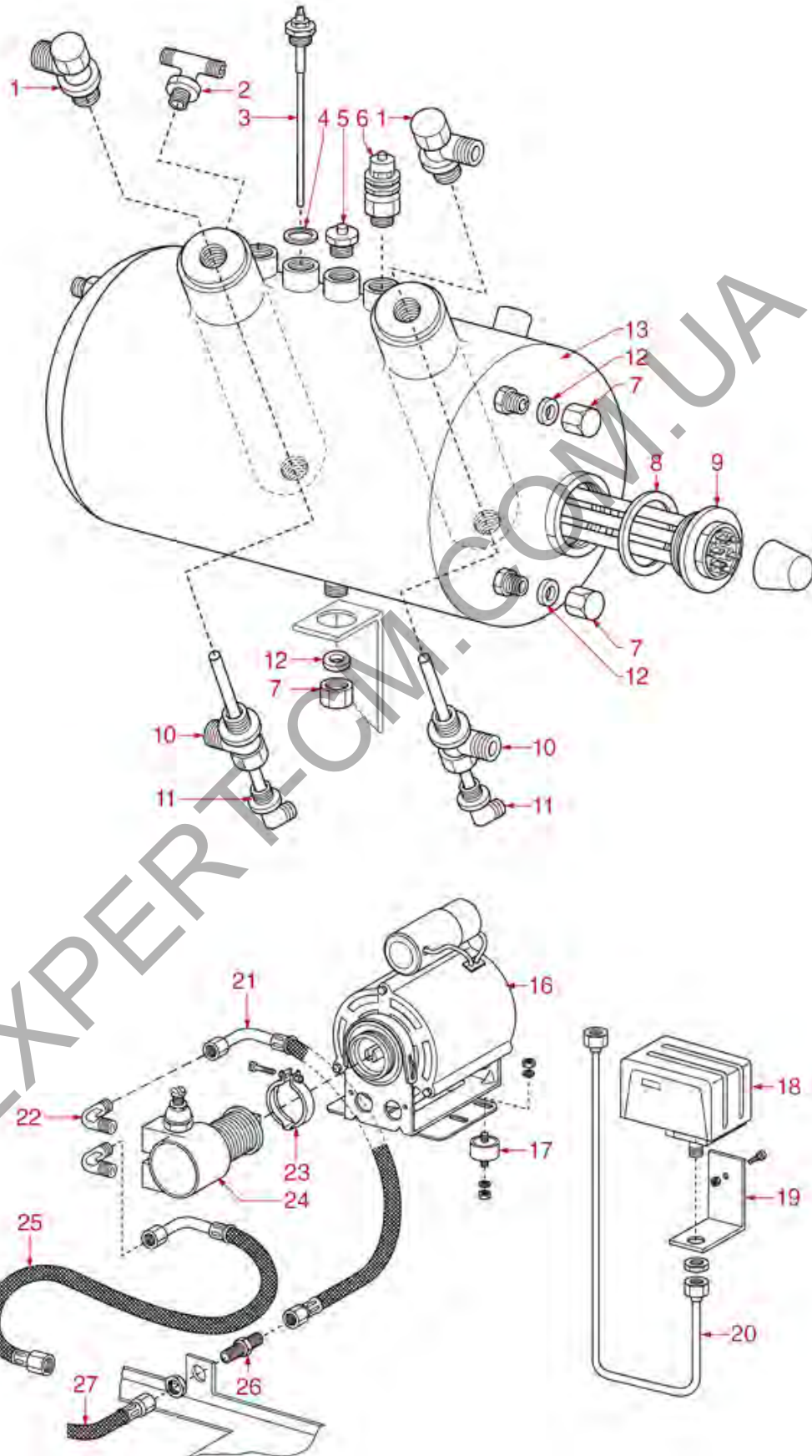
Position	LF code no.	Description
1	1349014	BOILER FITTING $\varnothing$ 1/2"M-1/2"M
2	1341750	LEVEL PROBE $\varnothing$ 1/4"M-125 mm
2	1341751	LEVEL PROBE $\varnothing$ 1/4"M-150 mm
4	1515002	BOILER VALVE $\varnothing$ 3/8"M CE-PED
5	1523538	BOILER VALVE $\varnothing$ 1/4"M
7	1186623	PTFE FLAT GASKET $\varnothing$ 53x43x3 mm
8	1755403	HEATING ELEMENT 3300W 230V
8	1755404	HEATING ELEMENT 4500W 230V
10	1349278	BOILER FITTING $\varnothing$ 1/2"M-1/2"M-1/4"F
16	1240281	CLAMP RPM MOTOR 120W
18	1320531	PRESSURE SWITCH P302/6 3-POLES 30A
18	1320541	PRESSURE SWITCH PARKER
22	1349706	L-FITTING $\varnothing$ 3/8"M-3/8"M NICKEL-PLATED
23	1168011	STAINLESS STEEL CLAMP FOR FLANGE PUMP
24	1330001	ROTARY VANE PUMP ROTOFLOW $\varnothing$ 3/8" NPT
26	1349705	COUPLING $\varnothing$ 3/8"M-3/8"M LOAD EXTENSION
27	1449725	FLEX HOSE $\varnothing$ 3/8" Fc x Fc 1500 mm

EXPERT-CM.COM.UA



## ECLISSE BOILER

**ECLISSE**



GR5301

Positions without LF code no.: upon request



# GRIMAC



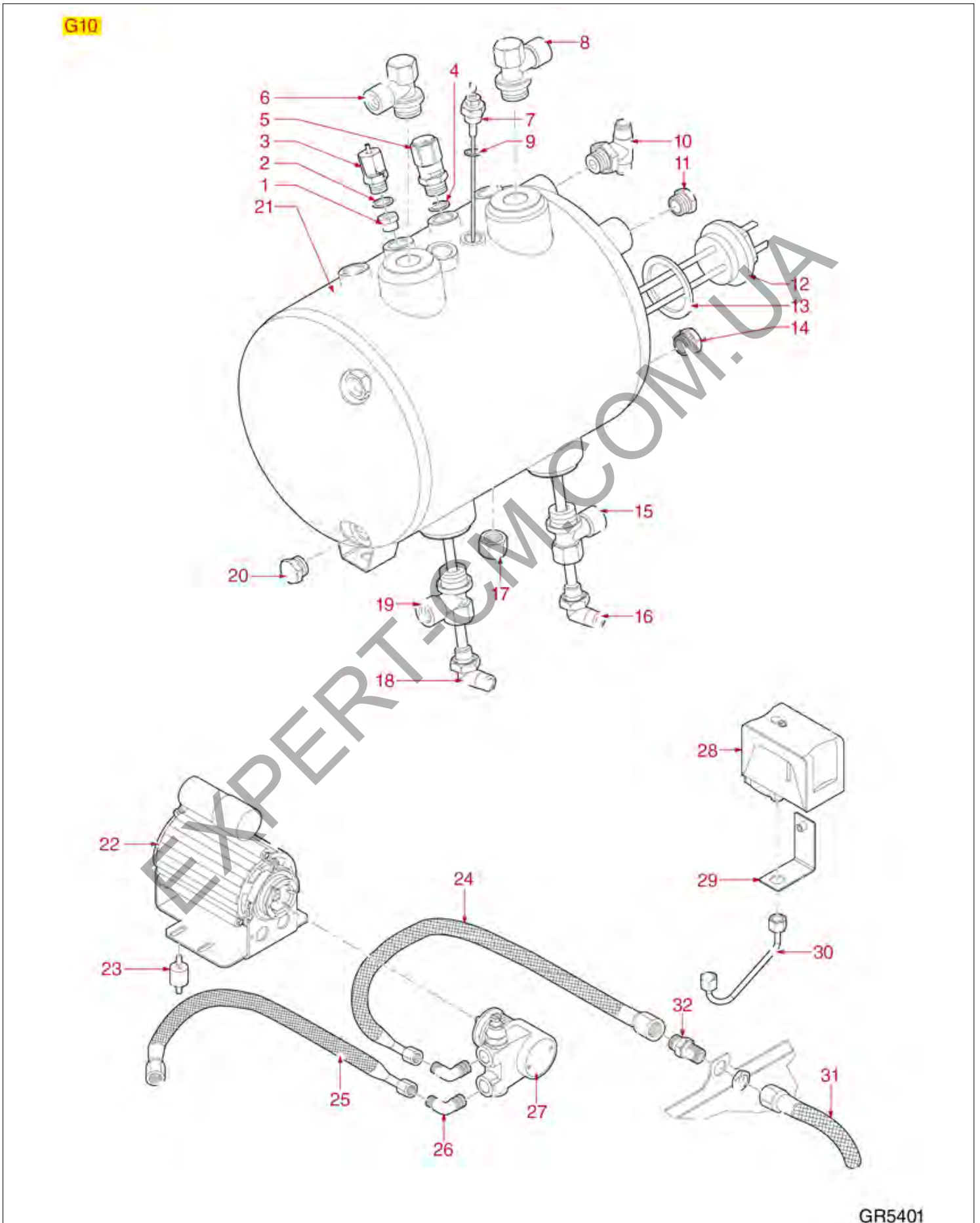
Position	LF code no.	Description
1	1349014	BOILER FITTING $\varnothing$ 1/2"M-1/2"M
3	1341750	LEVEL PROBE $\varnothing$ 1/4"M-125 mm
5	1523537	BOILER VALVE $\varnothing$ 1/4"M
6	1515002	BOILER VALVE $\varnothing$ 3/8"M CE-PED
8	1186623	PTFE FLAT GASKET $\varnothing$ 53x43x3 mm
9	1755403	HEATING ELEMENT 3300W 230V
10	1349278	BOILER FITTING $\varnothing$ 1/2"M-1/2"M-1/4"F
11	1449123	INJECTION PIPE $\varnothing$ 1/4"M
16	1240281	CLAMP RPM MOTOR 120W
18	1320531	PRESSURE SWITCH P302/6 3-POLES 30A
18	1320541	PRESSURE SWITCH PARKER
22	1349706	L-FITTING $\varnothing$ 3/8"M-3/8"M NICKEL-PLATED
23	1168011	STAINLESS STEEL CLAMP FOR FLANGE PUMP
24	1330025	ROTARY VANE PUMP ROTOFLOW $\varnothing$ 3/8" GAS
26	1349705	COUPLING $\varnothing$ 3/8"M-3/8"M LOAD EXTENSION
27	1449725	FLEX HOSE $\varnothing$ 3/8" Fc x Fc 1500 mm

EXPERT-CM.COM.UA





G10 BOILER



GR5401

Positions without LF code no.: upon request



# GRIMAC

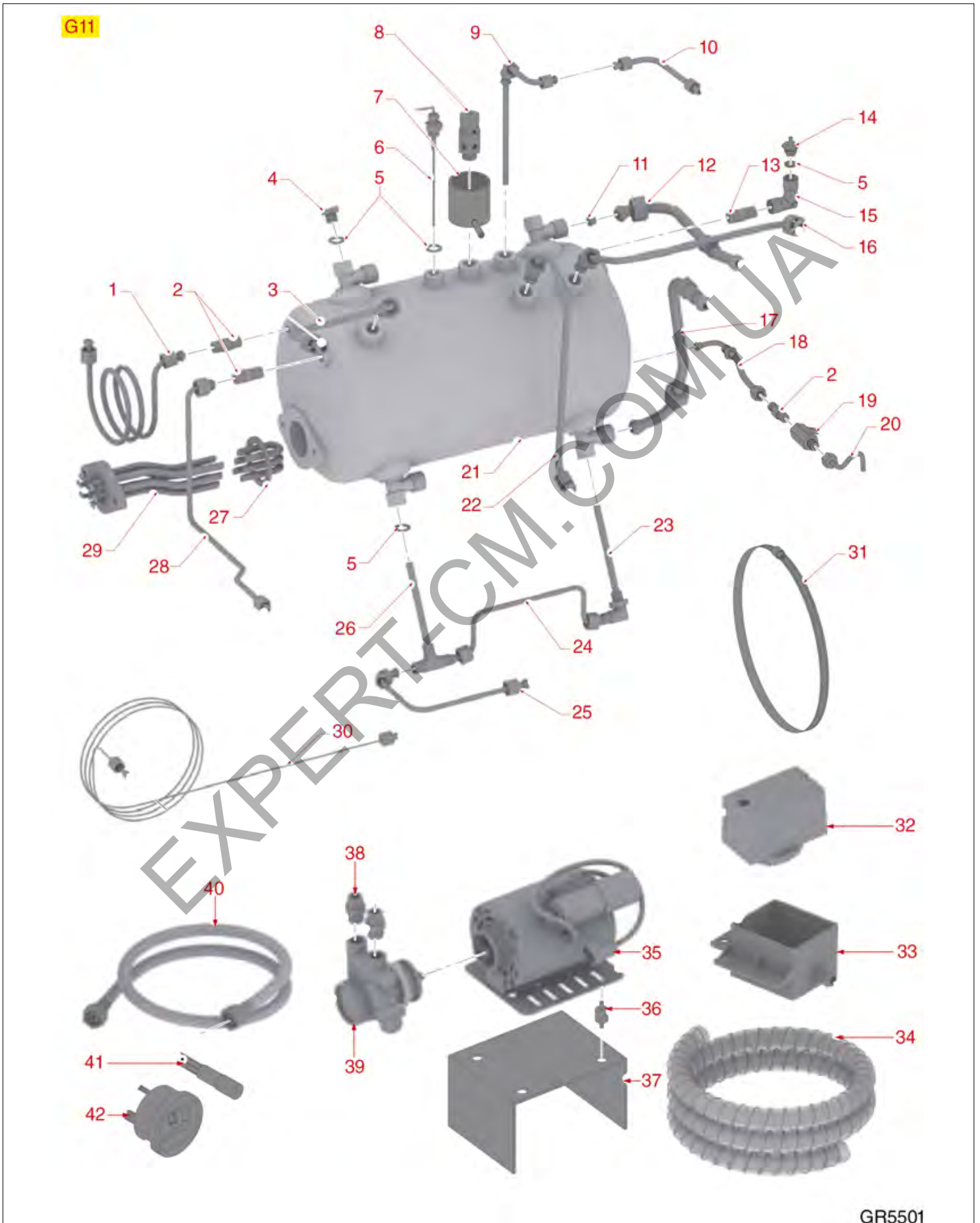


Position	LF code no.	Description
2	1186982	FLAT PTFE GASKET $\varnothing$ 17x13x2 mm
3	1523538	BOILER VALVE $\varnothing$ 1/4"M
4	1186326	PTFE FLAT GASKET $\varnothing$ 22x16x2 mm
5	1515002	BOILER VALVE $\varnothing$ 3/8"M CE-PED
7	1341752	LEVEL PROBE $\varnothing$ 1/4"M-148 mm
9	1186982	FLAT PTFE GASKET $\varnothing$ 17x13x2 mm
12	1755403	HEATING ELEMENT 3300W 230V
12	1755404	HEATING ELEMENT 4500W 230V
13	1186623	PTFE FLAT GASKET $\varnothing$ 53x43x3 mm
13	1186633	FLAT CARBO GASKET $\varnothing$ 53x42x3 mm
22	1240281	CLAMP RPM MOTOR 120W
22	1240702	MOTOR RPM WITH CLAMP CONNECTION 165W
24	1449705	FLEX HOSE $\varnothing$ 3/8" Fc x Fc 750 mm
25	1449705	FLEX HOSE $\varnothing$ 3/8" Fc x Fc 750 mm
26	1349706	L-FITTING $\varnothing$ 3/8"M-3/8"M NICKEL-PLATED
27	1330001	ROTARY VANE PUMP ROTOFLOW $\varnothing$ 3/8" NPT
28	1320531	PRESSURE SWITCH P302/6 3-POLES 30A
28	1320541	PRESSURE SWITCH PARKER
31	1449715	FLEX HOSE $\varnothing$ 3/8" Fp x Fc 1500 mm
32	1349705	COUPLING $\varnothing$ 3/8"M-3/8"M LOAD EXTENSION

EXPERT-CM.COM.UA



G11 BOILER



GR5501

Positions without LF code no.: upon request



# GRIMAC



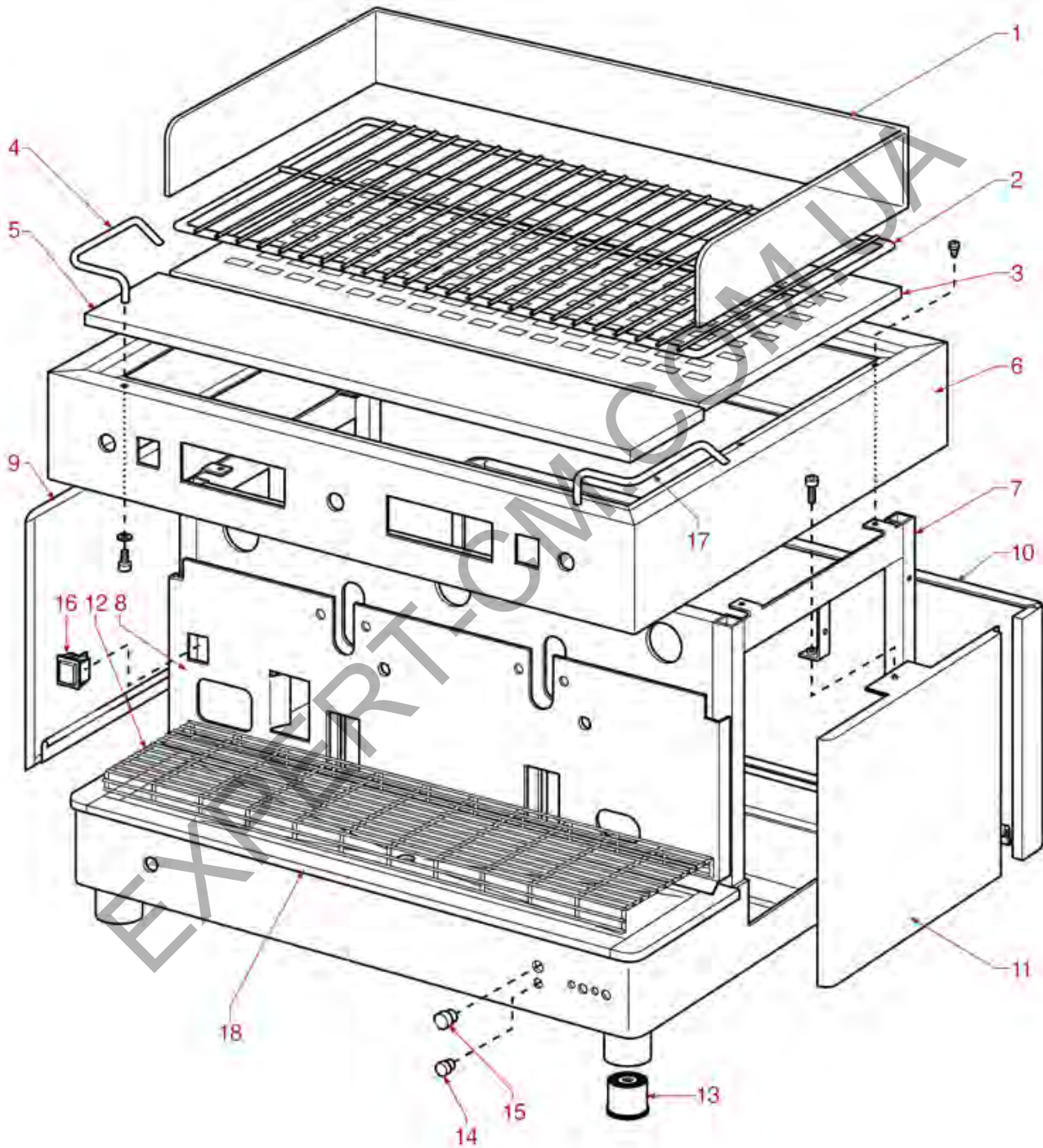
Position	LF code no.	Description
2	1349102	FITTING $\varnothing$ 1/4"M-1/4"M
5	1186404	PTFE FLAT GASKET $\varnothing$ 18x13x2 mm
6	1341752	LEVEL PROBE $\varnothing$ 1/4"M-148 mm
8	1515100	BOILER VALVE $\varnothing$ 3/8"M 1.8bar CE-PED
13	1349112	FITTING $\varnothing$ 1/4"M-3/8"M
14	1523534	BOILER VALVE $\varnothing$ 1/4"M
19	3526699	BALL VALVE $\varnothing$ 1/4" MF
23	1449123	INJECTION PIPE $\varnothing$ 1/4"M
27	1186606	FLAT CARBO GASKET $\varnothing$ 57x43x3 mm
29	1755011	HEATING ELEMENT 3500W 230V
29	1755012	HEATING ELEMENT 4000W 230V
32	1320531	PRESSURE SWITCH P302/6 3-POLES 30A
33	1527511	DRAIN TUB
34	1449672	DRAIN PIPE ELISPIR $\varnothing$ 16x23 mm - 5 m
35	1240072	MOTOR IPC 150W 230V 1.2A 50/60Hz 6 $\mu$ f
38	1349100	PUMP CONNECTION $\varnothing$ 3/8"CONIC-3/8" STRAIGH
39	1330004	ROTARY VANE PUMP ROTOFLOW $\varnothing$ 3/8" NPT
40	1449089	FLEX HOSE $\varnothing$ 3/8" Fp x Fp 2000 mm
41	3221095	ORANGE INDICATOR LAMP 230V
42	1245201	BOILER-PUMP PRESSURE GAUGE $\varnothing$ 63 mm

EXPERT-CM.COM.UA



## ZOLAI BODY PARTS

ZOLAI



GR6001

Positions without LF code no.: upon request



# GRIMAC



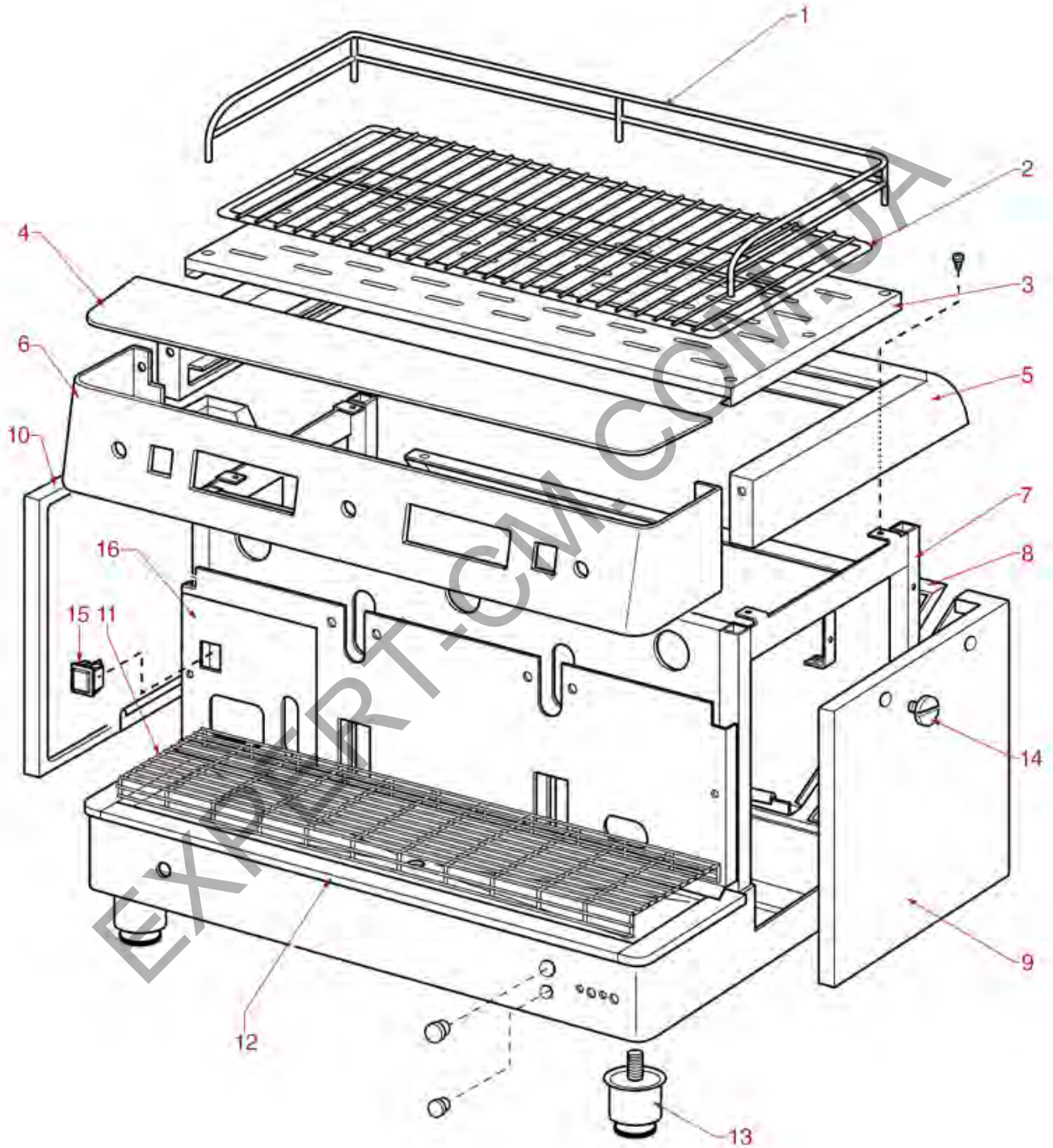
Position	LF code no.	Description
12	1185024	STAIN.STEEL CUP SUPPORT GRID 622x150 mm
12	1185025	STAIN.STEEL CUP SUPPORT GRID 788x150 mm

EXPERT-CM.COM.UA



ZOLAI BODY PARTS

ZOLAI





# GRIMAC



Position	LF code no.	Description
11	1185024	STAIN.STEEL CUP SUPPORT GRID 622x150 mm
11	1185025	STAIN.STEEL CUP SUPPORT GRID 788x150 mm

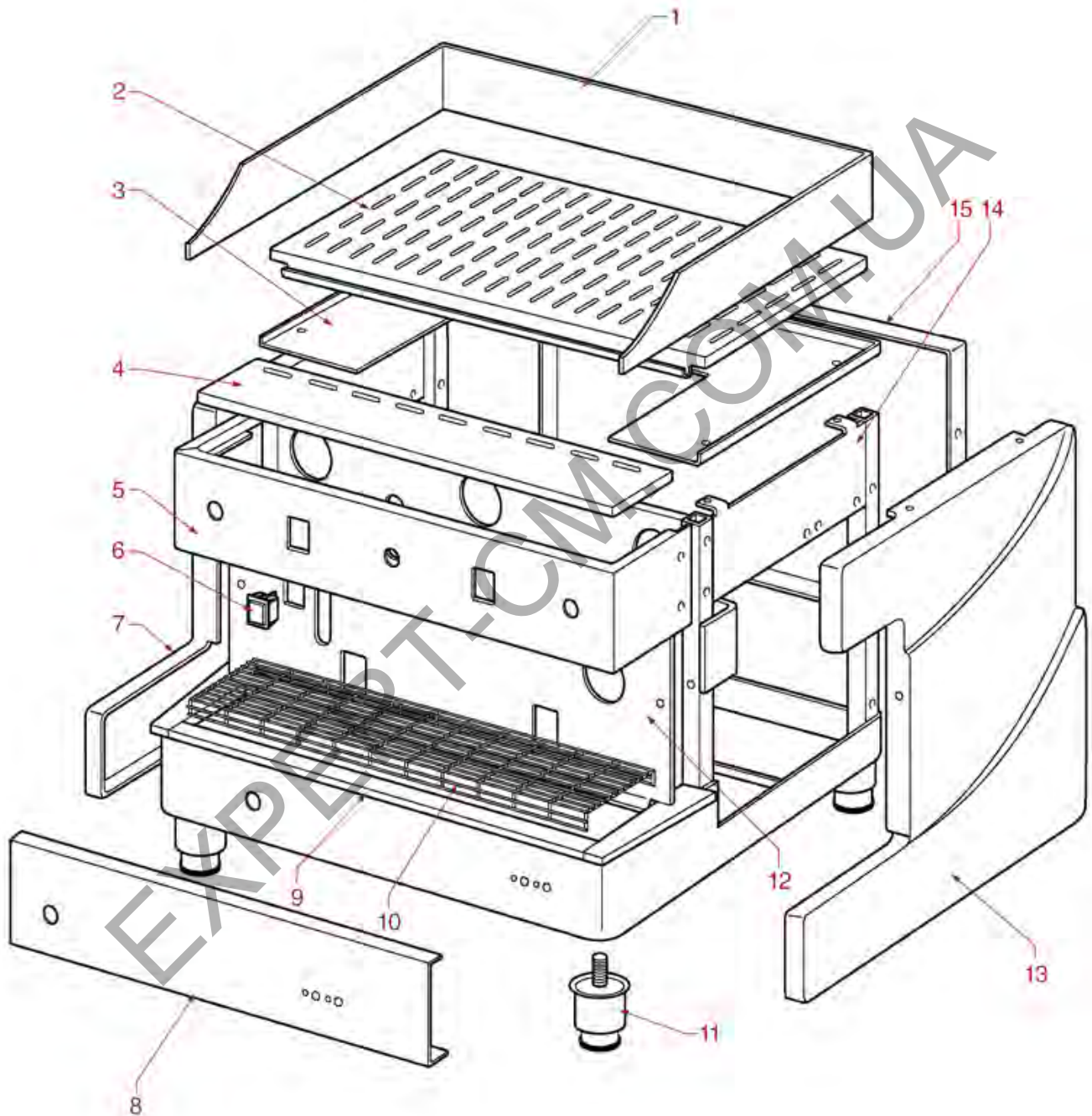
EXPERT-CM.COM.UA





TEN BODY PARTS

TEN





# GRIMAC



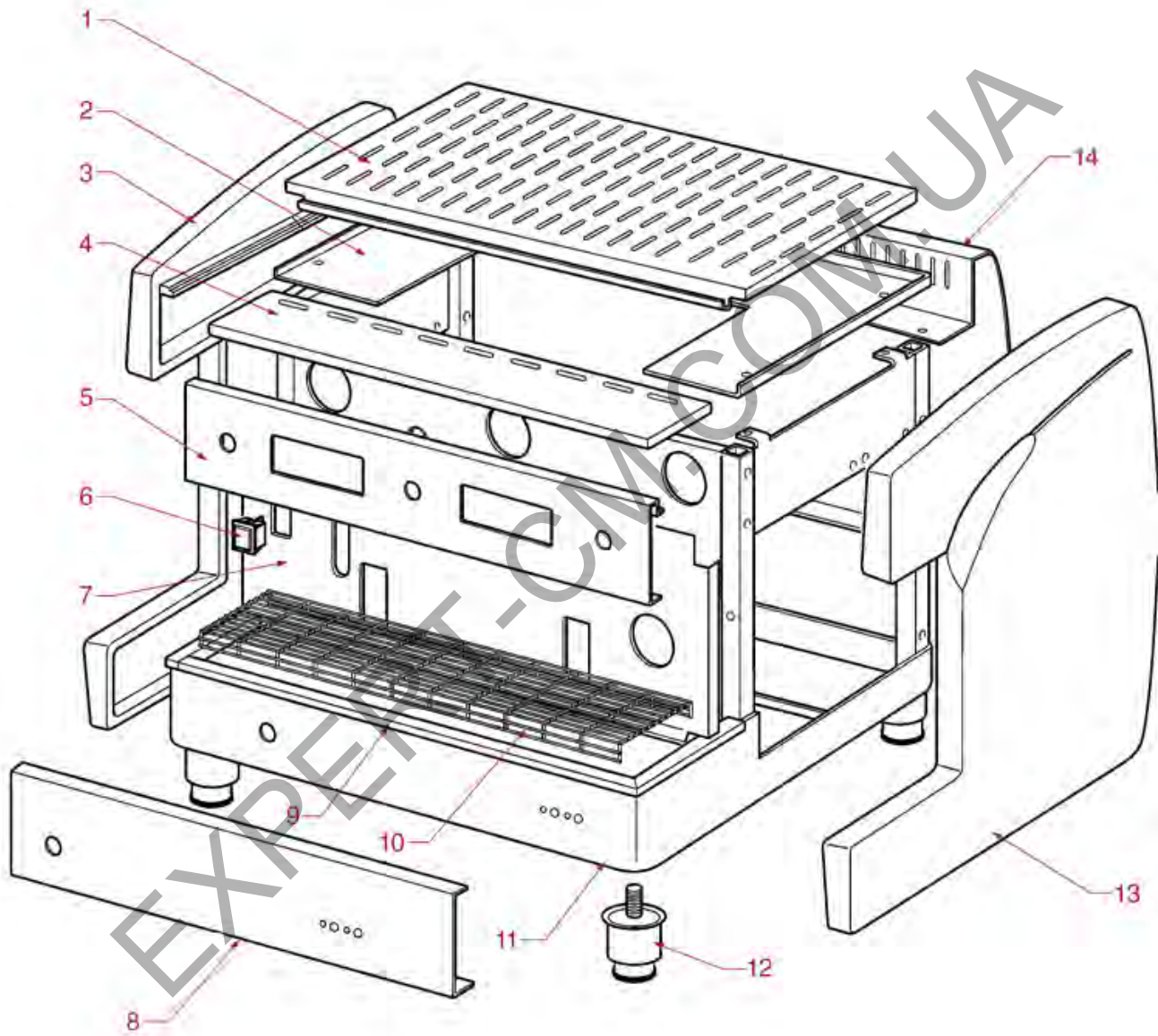
Position	LF code no.	Description
6	3319294	BLACK BIPOLAR SWITCH 16A 250V
10	1185027	STAIN.STEEL CUP SUPPORT GRID 588x160 mm
10	1185028	STAIN.STEEL CUP SUPPORT GRID 767x160 mm

EXPERT-CM.COM.UA



## TWENTY BODY PARTS

TWENTY





# GRIMAC



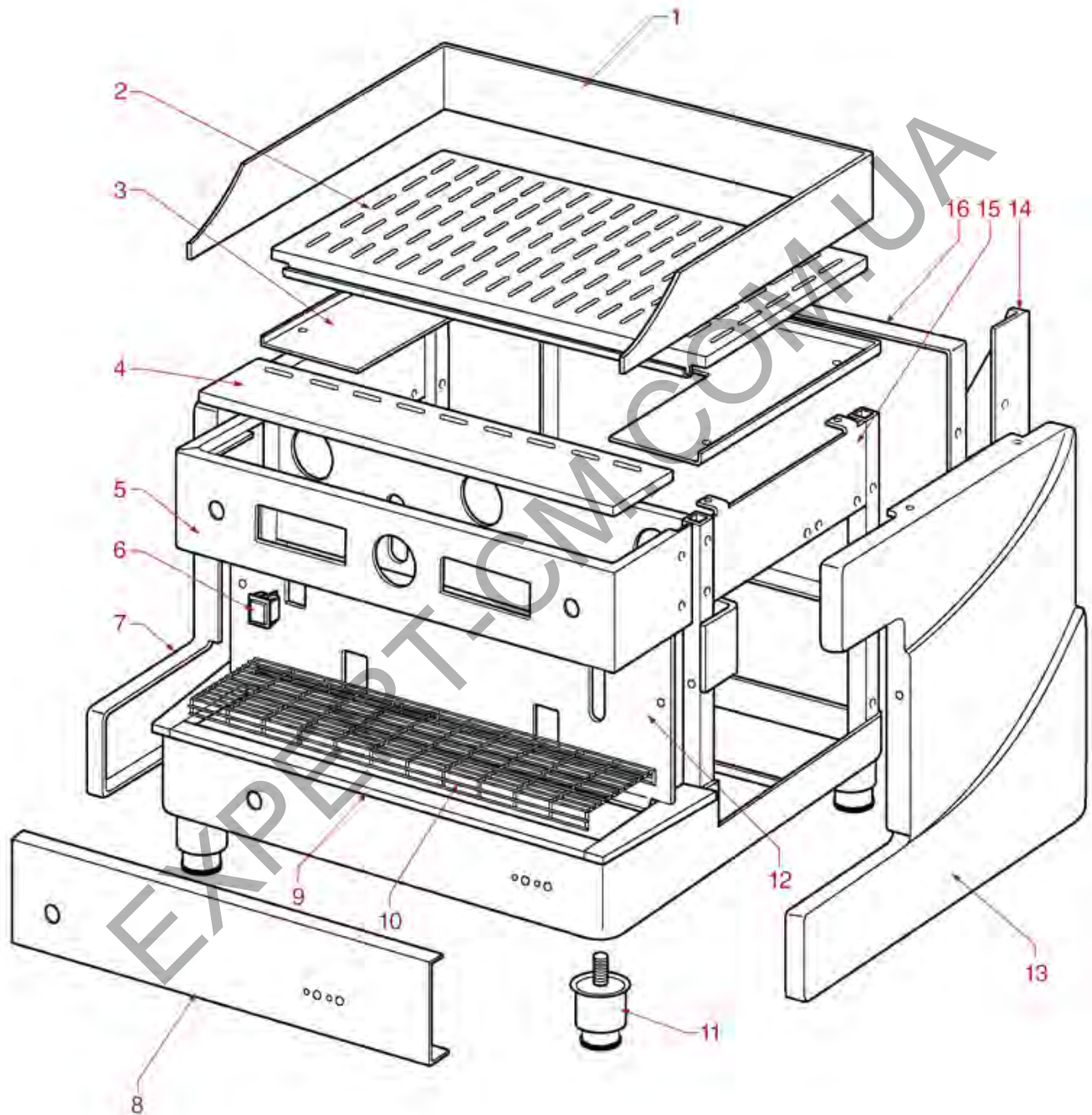
Position	LF code no.	Description
6	3319294	BLACK BIPOLAR SWITCH 16A 250V
10	1185027	STAIN.STEEL CUP SUPPORT GRID 588x160 mm
10	1185028	STAIN.STEEL CUP SUPPORT GRID 767x160 mm

EXPERT-CM.COM.UA



ECLISSE BODY PARTS

ECLISSE





# GRIMAC



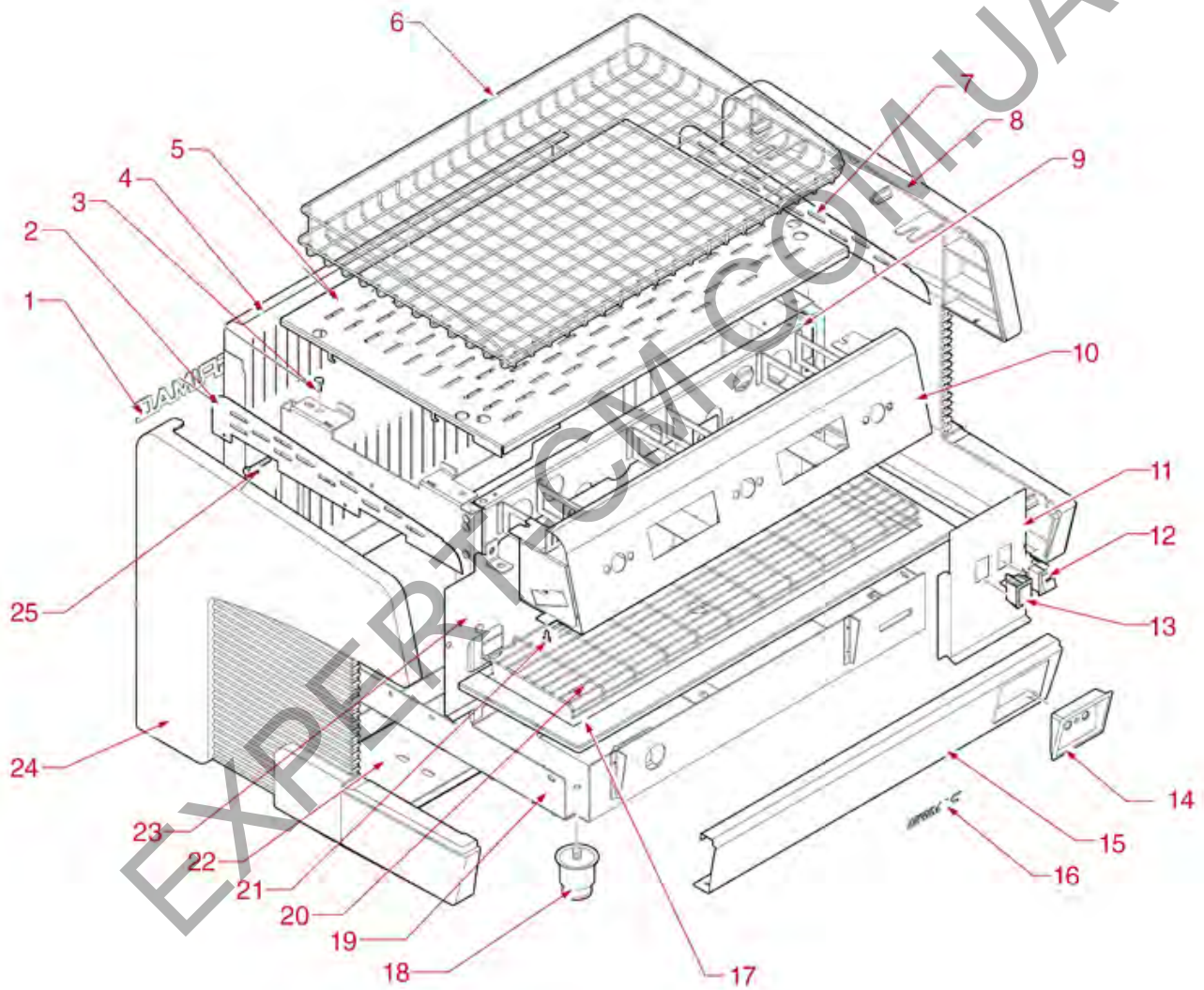
Position	LF code no.	Description
10	1185026	STAIN.STEEL CUP SUPPORT GRID 488x160 mm

EXPERT-CM.COM.UA



## G10 BODY PARTS

G10



GR6501

Positions without LF code no.: upon request



# GRIMAC



Position	LF code no.	Description
12	1319809	BLACK BIPOLAR SWITCH 16A 250V
20	1185027	STAIN.STEEL CUP SUPPORT GRID 588x160 mm
20	1185028	STAIN.STEEL CUP SUPPORT GRID 767x160 mm

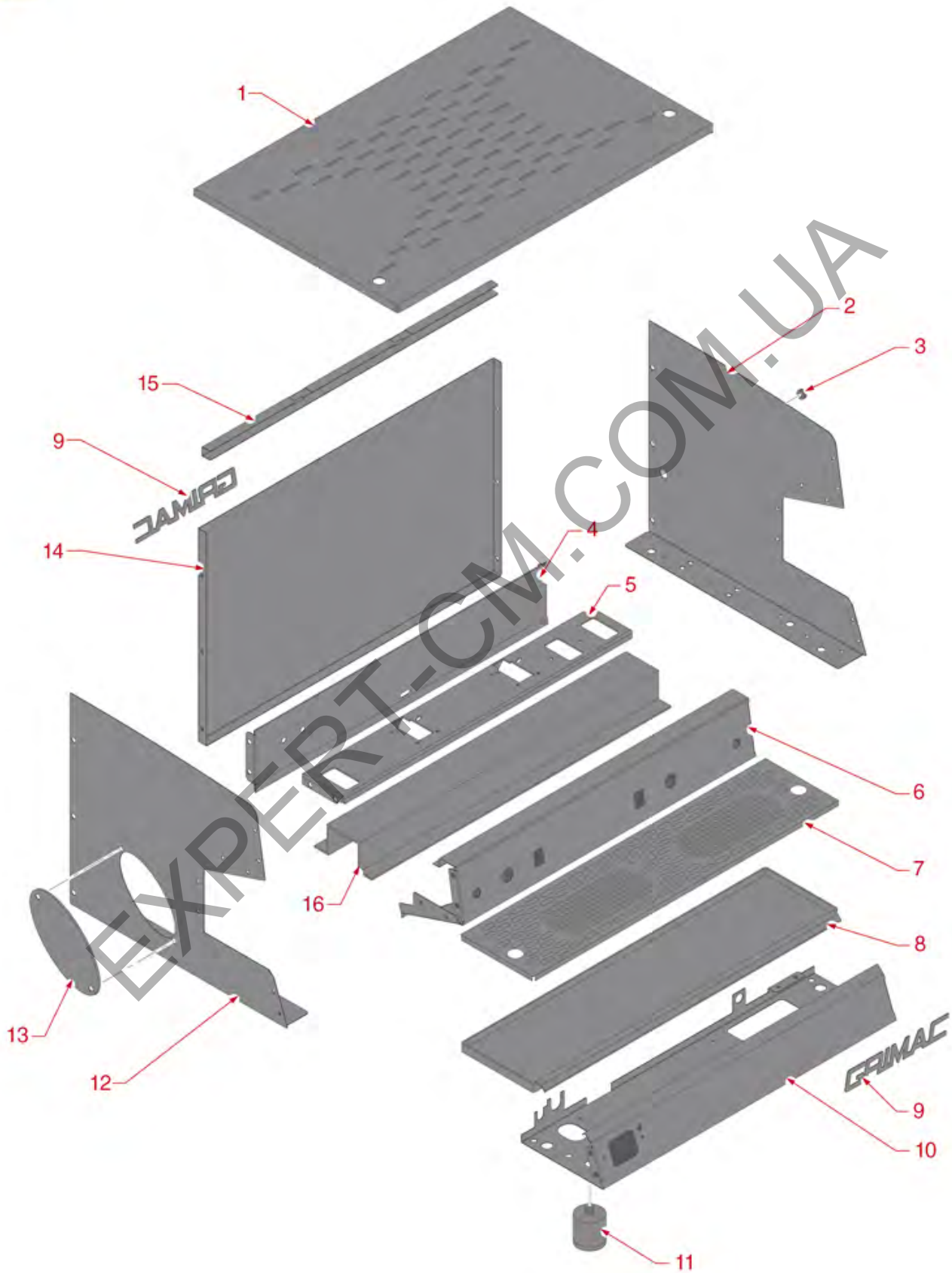
EXPERT-CM.COM.UA





G11 BODY PARTS

G11



GR6601

Positions without LF code no.: upon request



# GRIMAC



Position	LF code no.	Description
11	1313518	FOOT ø 40x45 mm M10

EXPERT-CM.COM.UA