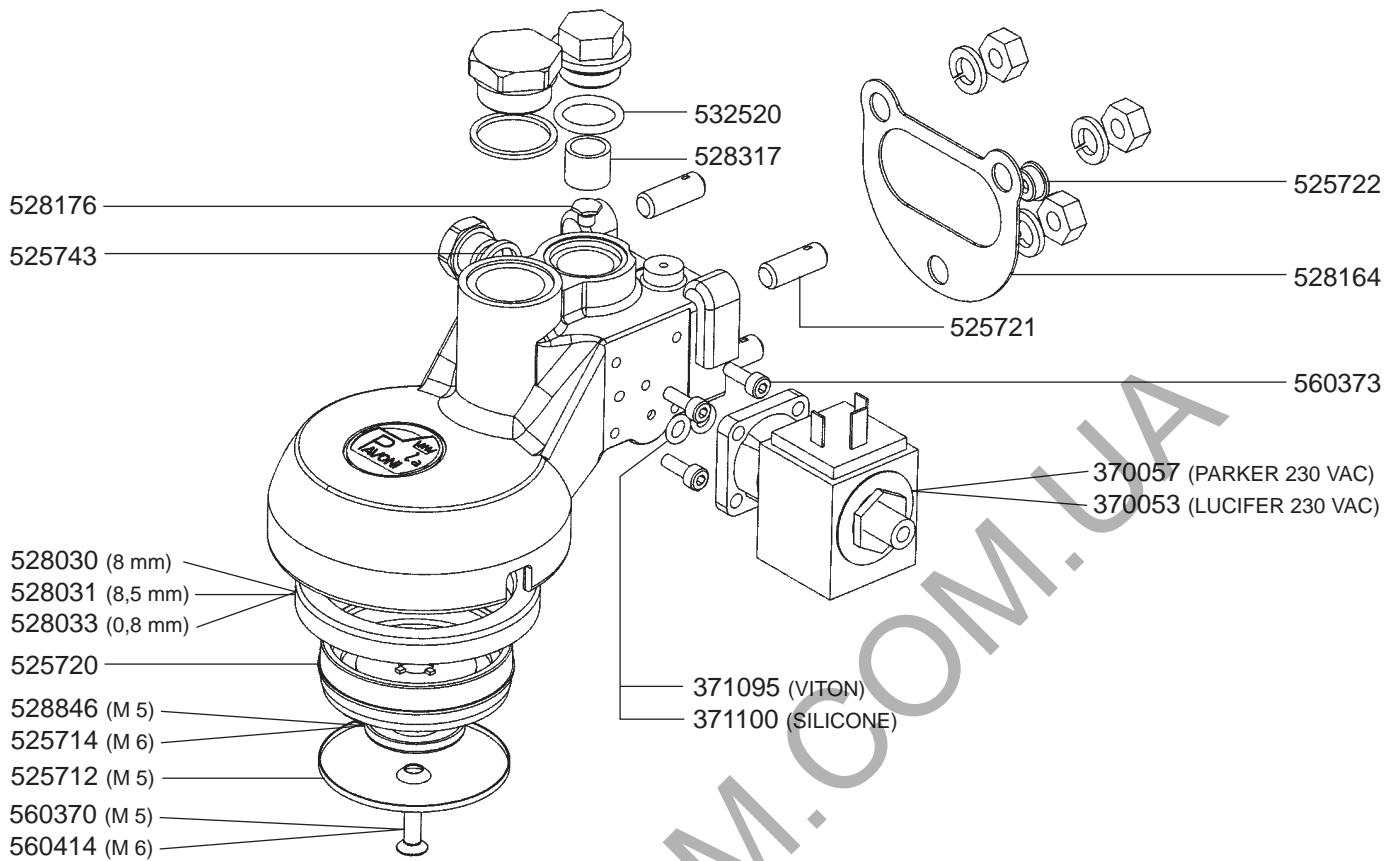
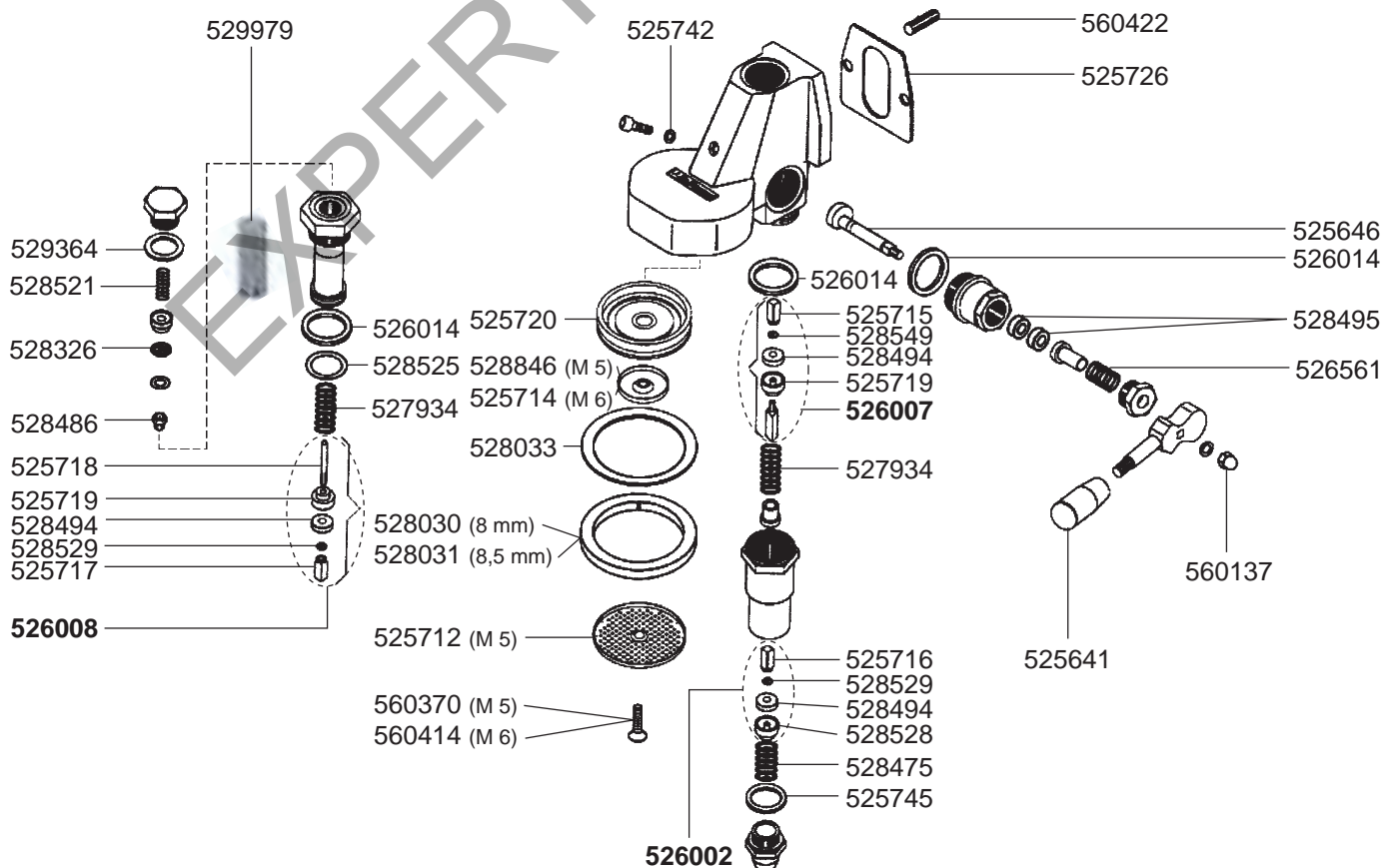


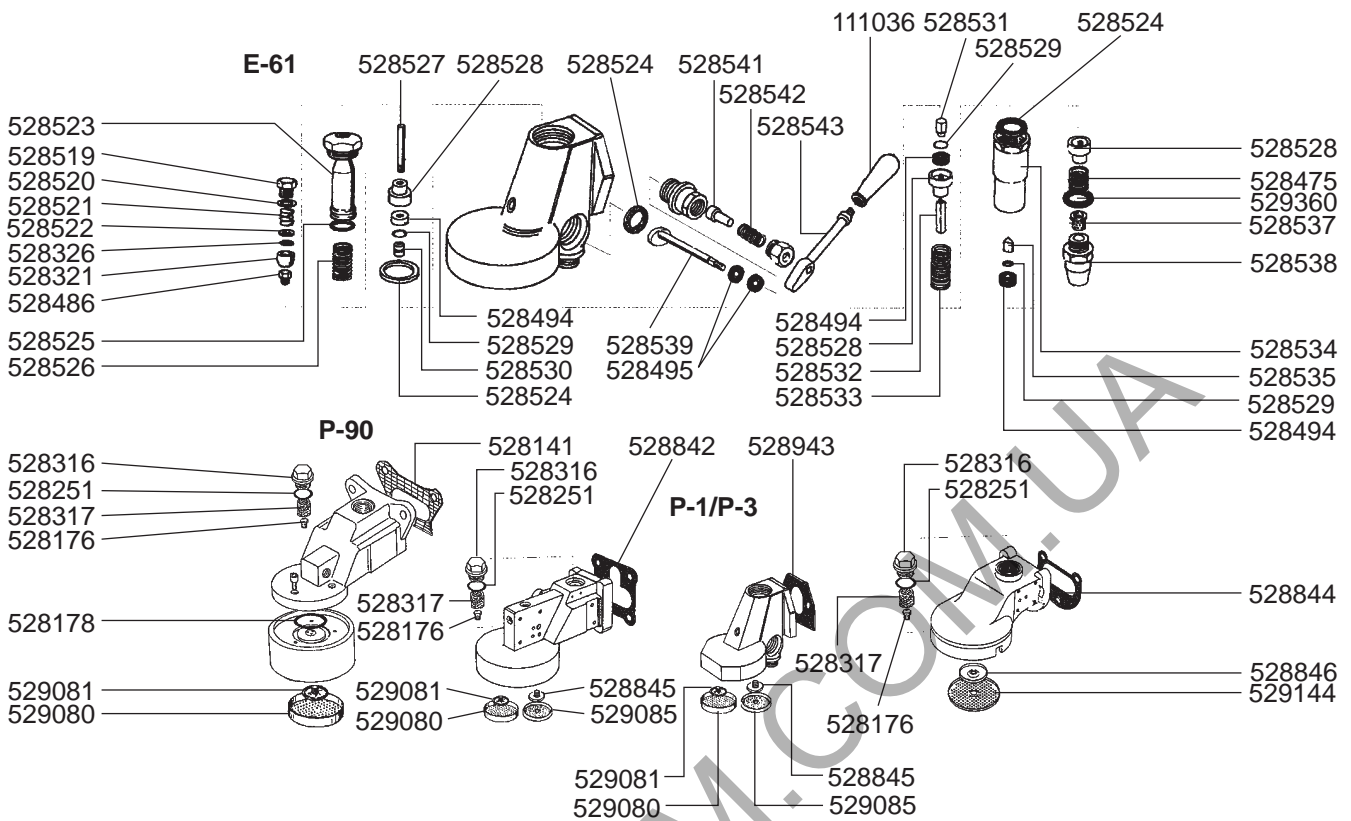
SOLENOID GROUP



MANUAL GROUP



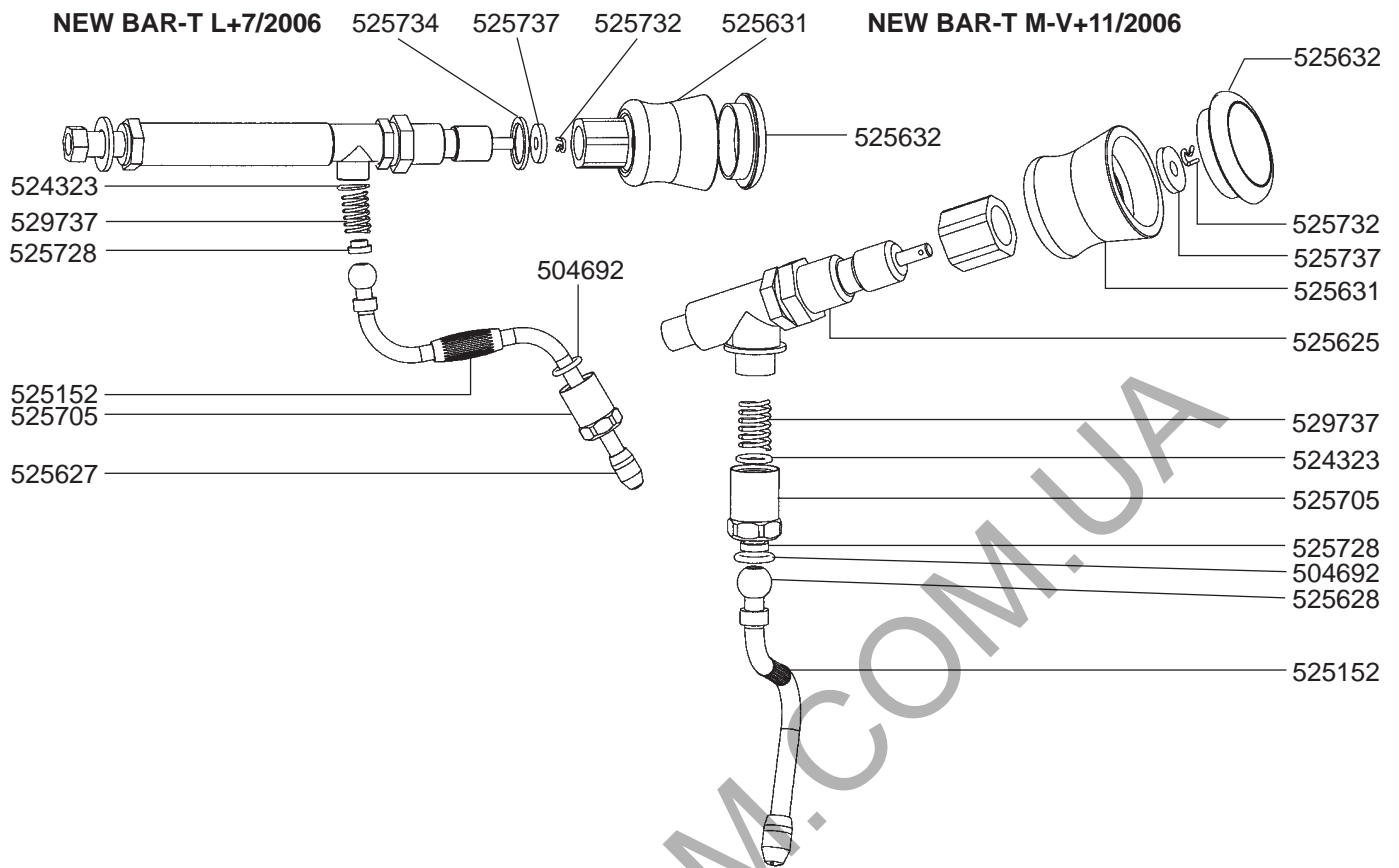
OLD MODEL GROUPS



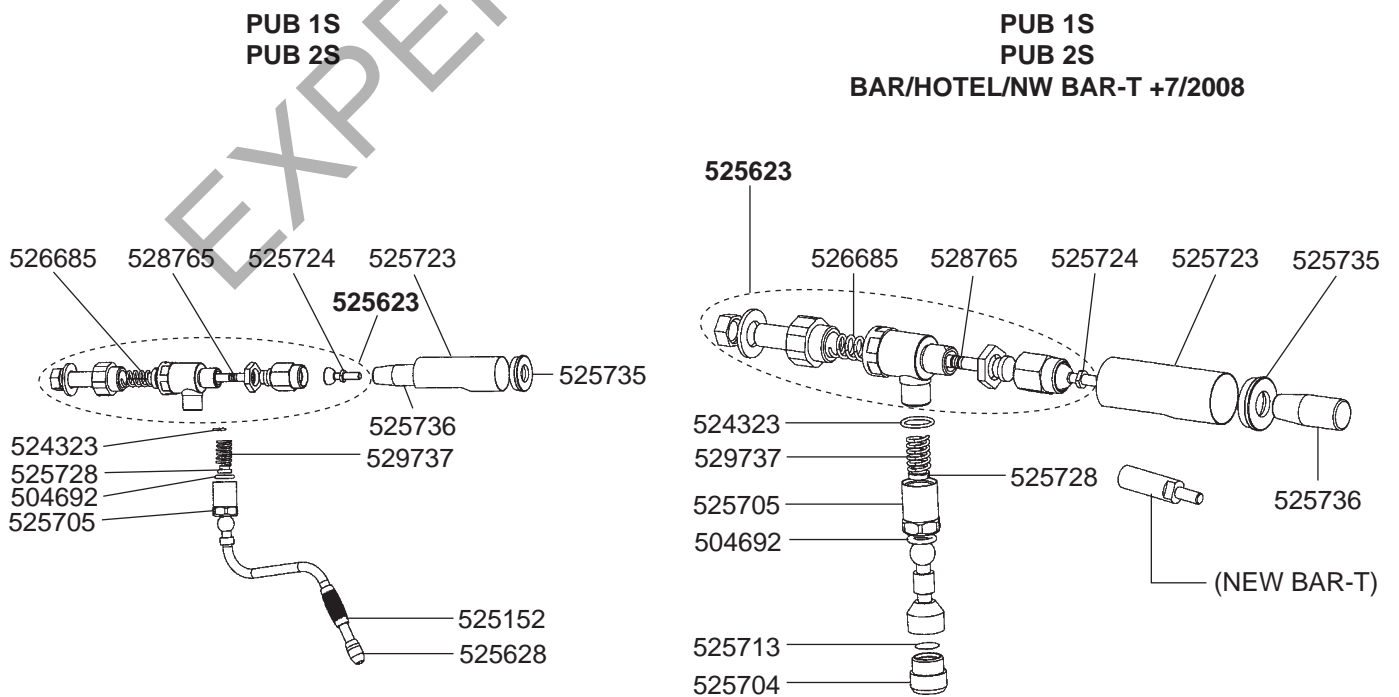
FILTER HOLDERS



STEAM TAP NEW BAR-T L+7/2006 - NEW BAR-T M-V +11/2006

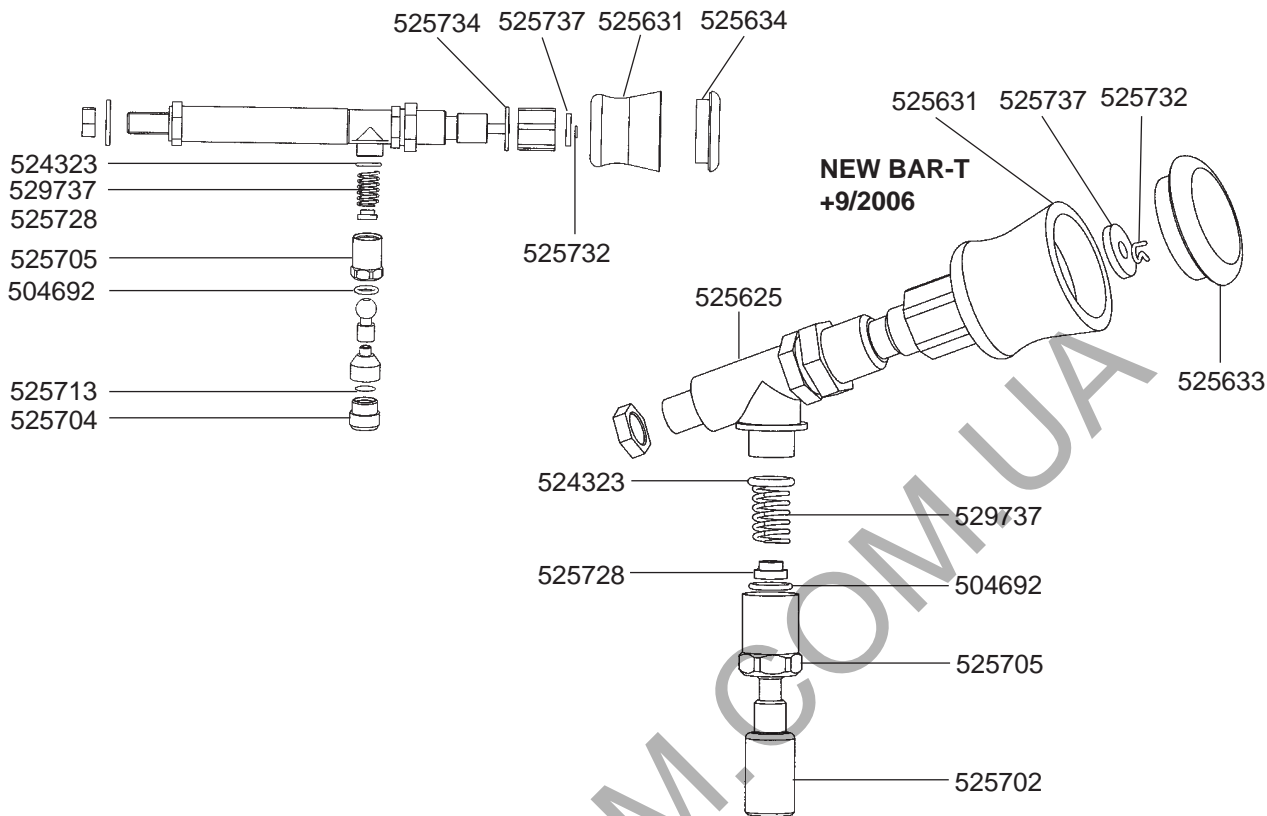


STEAM/WATER TAPS PUB 1S/PUB 2S/BAR/HOTEL/NEW BAR-T +7/2008



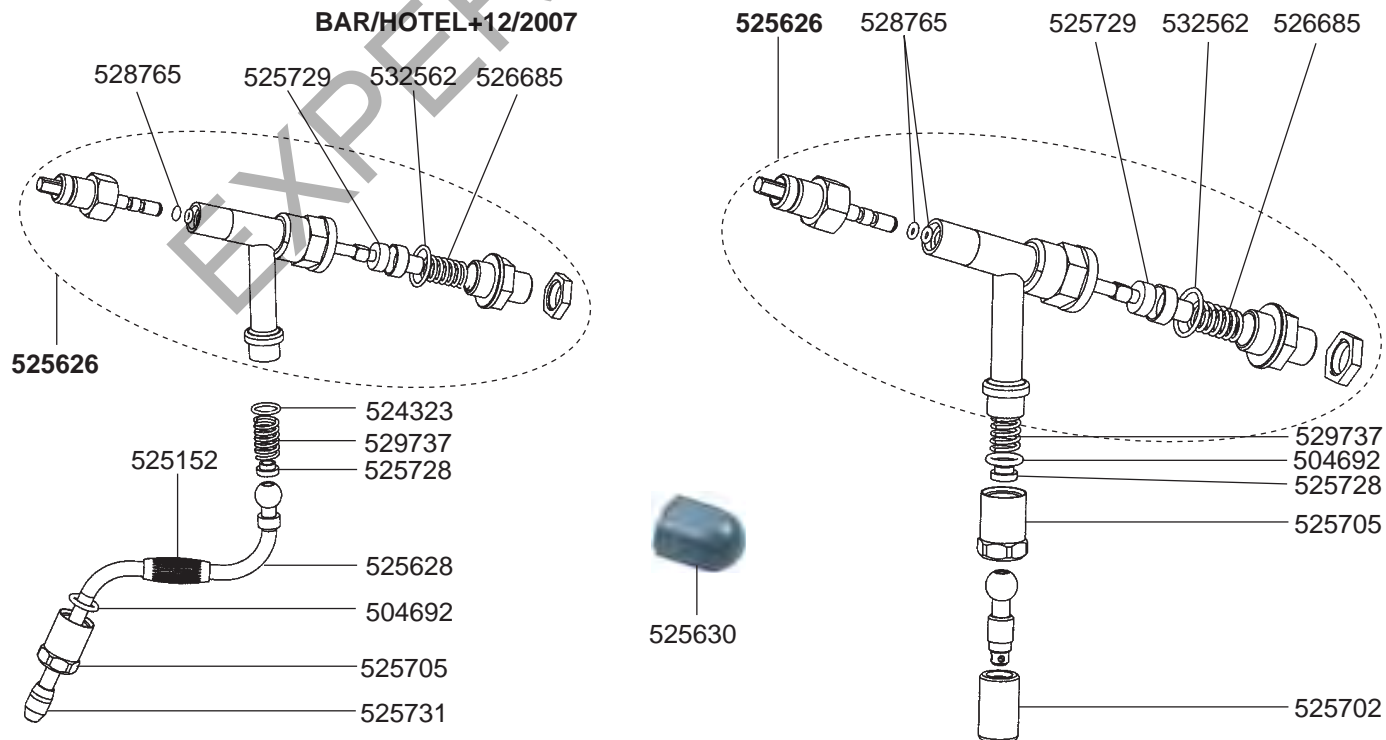
WATER TAPS NEW BAR-T L/BAR/HOTEL +5/2008

NEW BAR-T L/BAR/HOTEL+5/2008

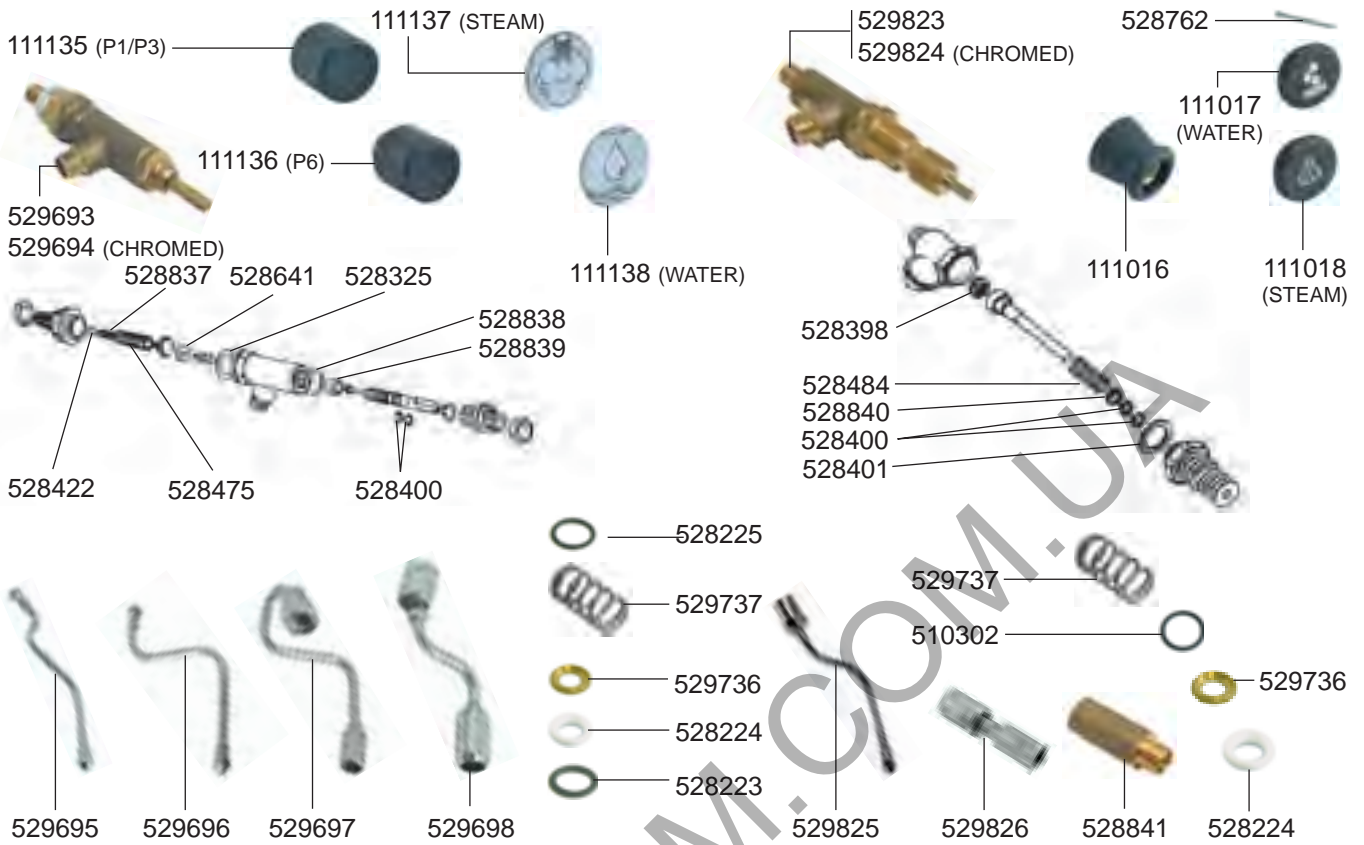


STEAM/WATER TAPS BAR/HOTEL +12/2007

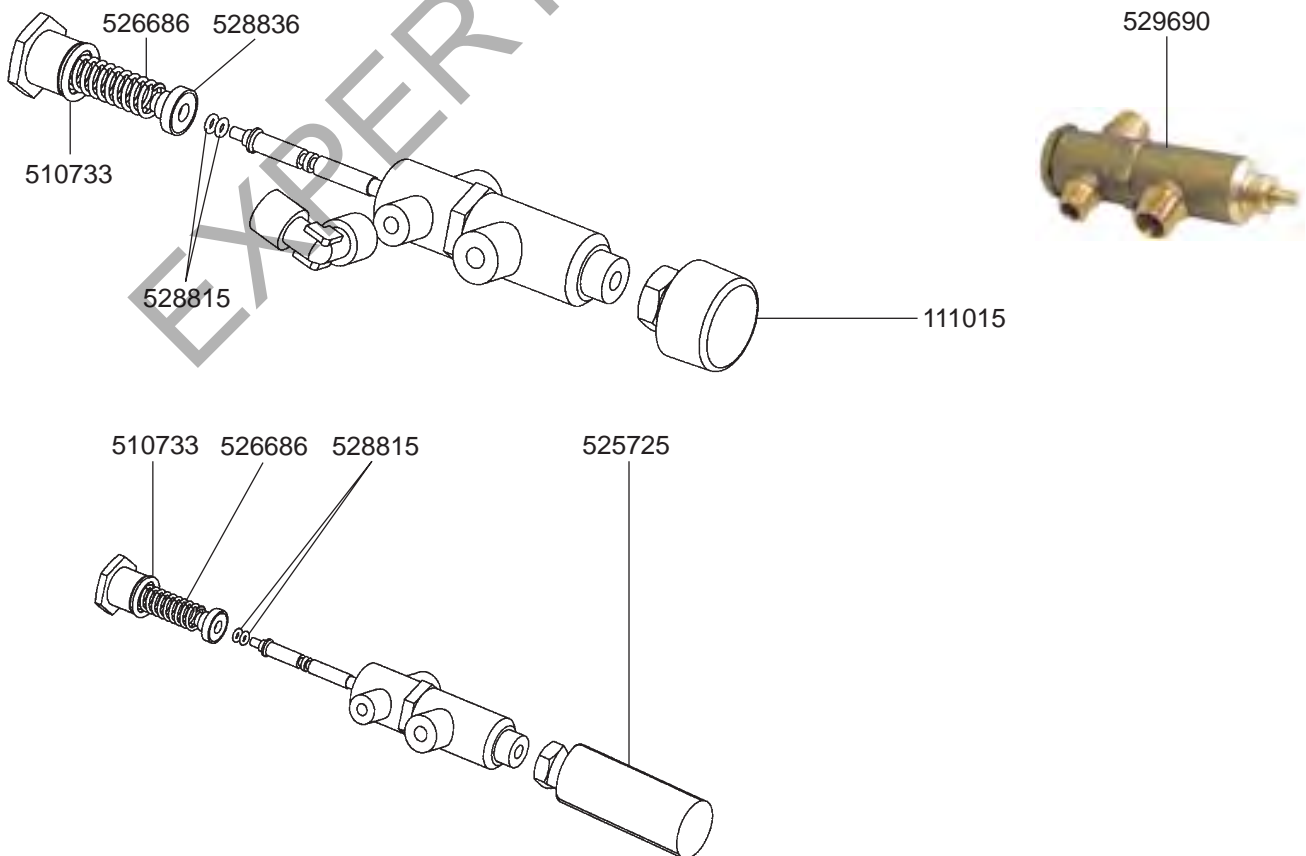
BAR/HOTEL+12/2007



OLD MODEL STEAM/WATER TAPS



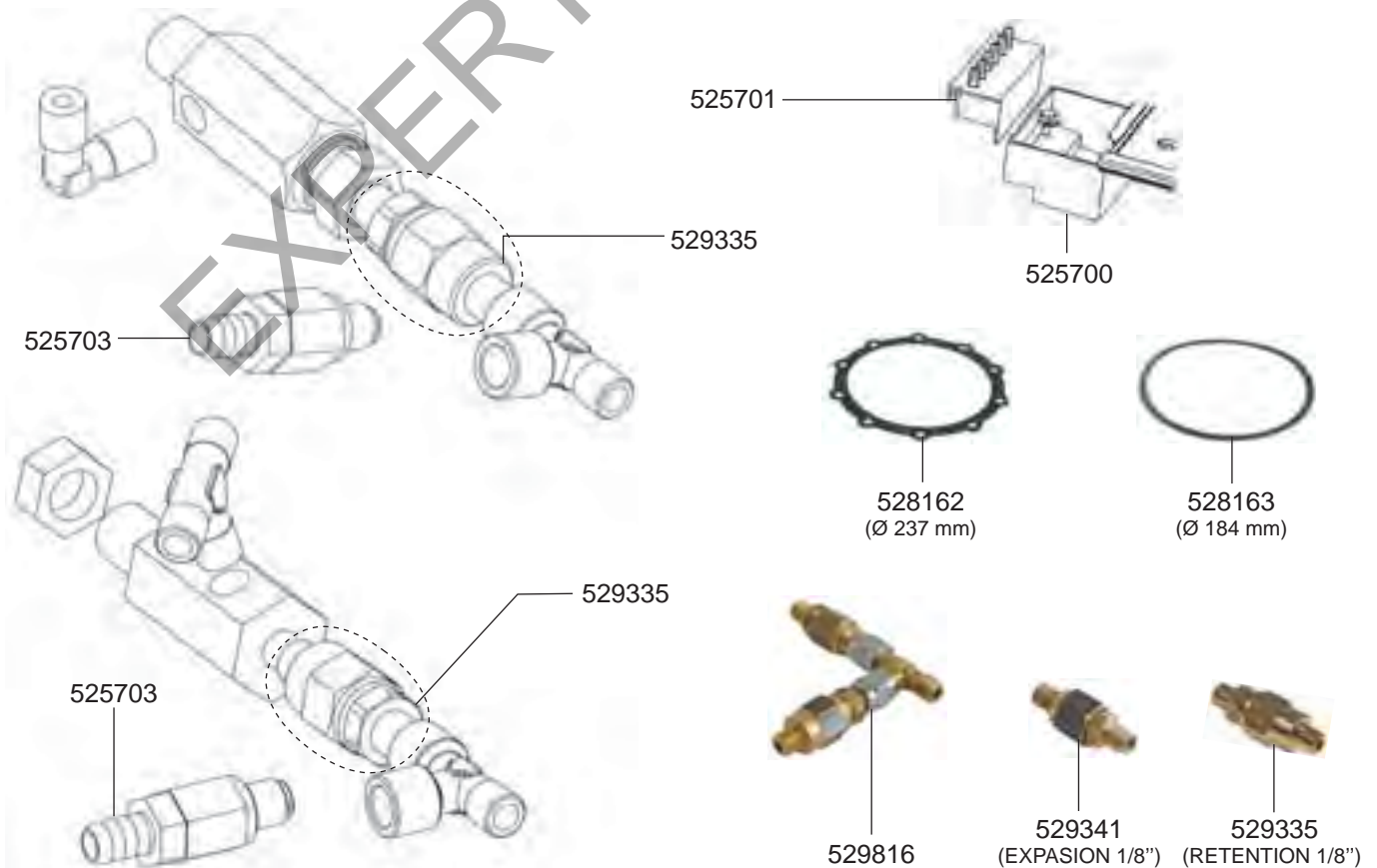
Inlet VALVES



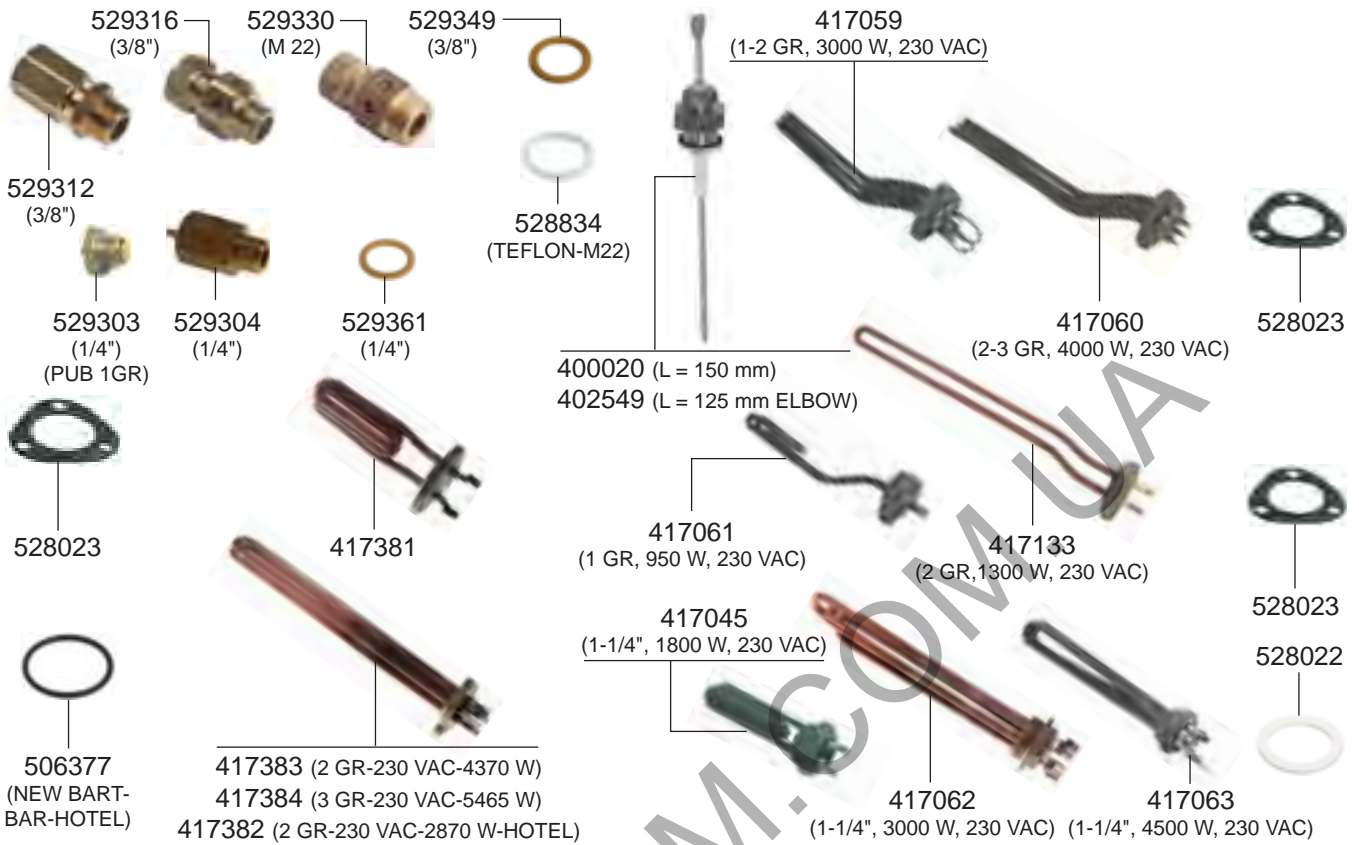
LEVEL INDICATOR/MANOMETERS



VALVES



BOILER VARIOUS



ELECTRICAL COMPONENTS PUB1-S2 +11/2006 - NEW BAR-T/BAR/HOTEL

PUB 1-2-S+11/2006



NEW BAR-T



BAR/HOTEL

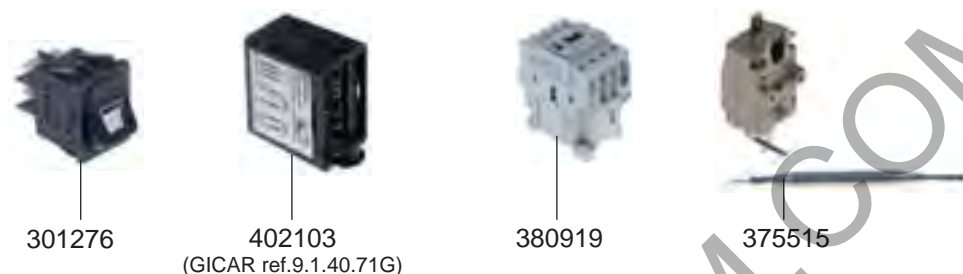


ELECTRICAL COMPONENTS BAR/HOTEL/BAR S-L

BAR/HOTEL



BAR S-L



ELECTRICAL COMPONENTS VARIOUS



ELECTRICAL COMPONENTS VARIOUS



346074
(2 POLES, 35 x 20 mm
RED)



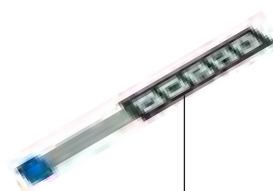
301002
(2 POLES, 30 x 22 mm
ORANGE)



345269



400378
(GICAR REF.9.9.10.17G)

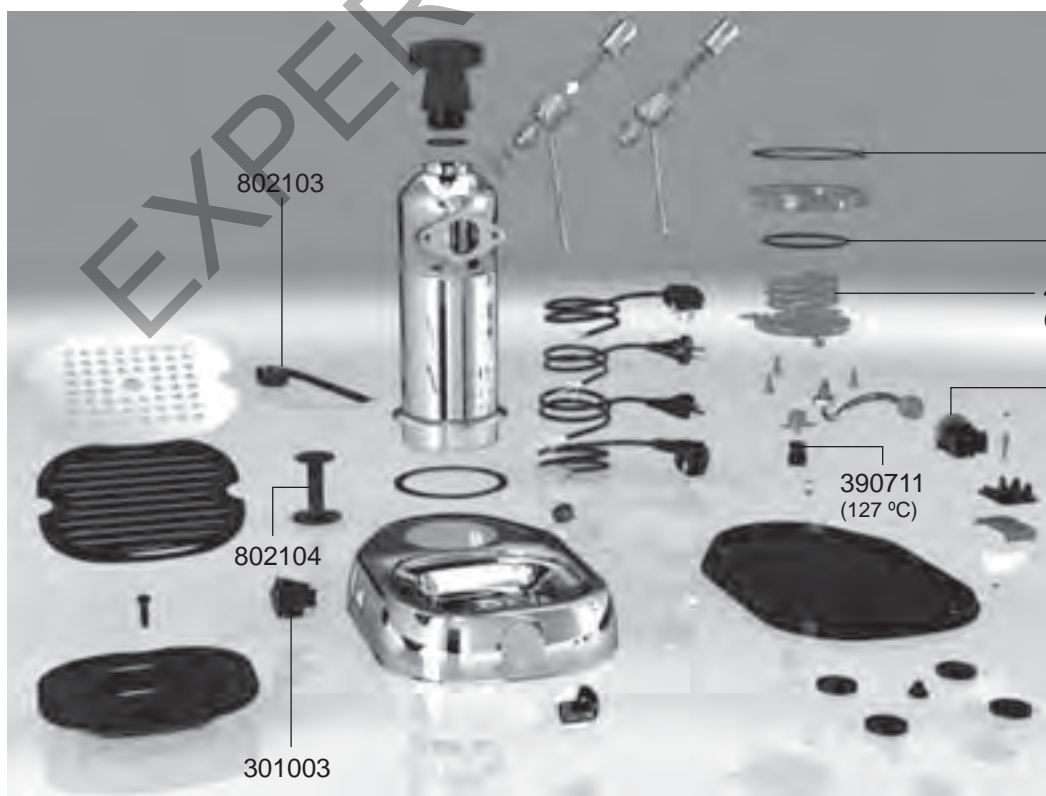


400334



400019
(GICAR REF. 9.1.40.71G)

EUROPICOLA/PROFESSIONAL VARIOUS



802103

802104

301003

525739

504580

417385
(920 W-230 VAC)

541745

390711
(127 °C)

EUROPICOLA/PROFESSIONAL VARIOUS

