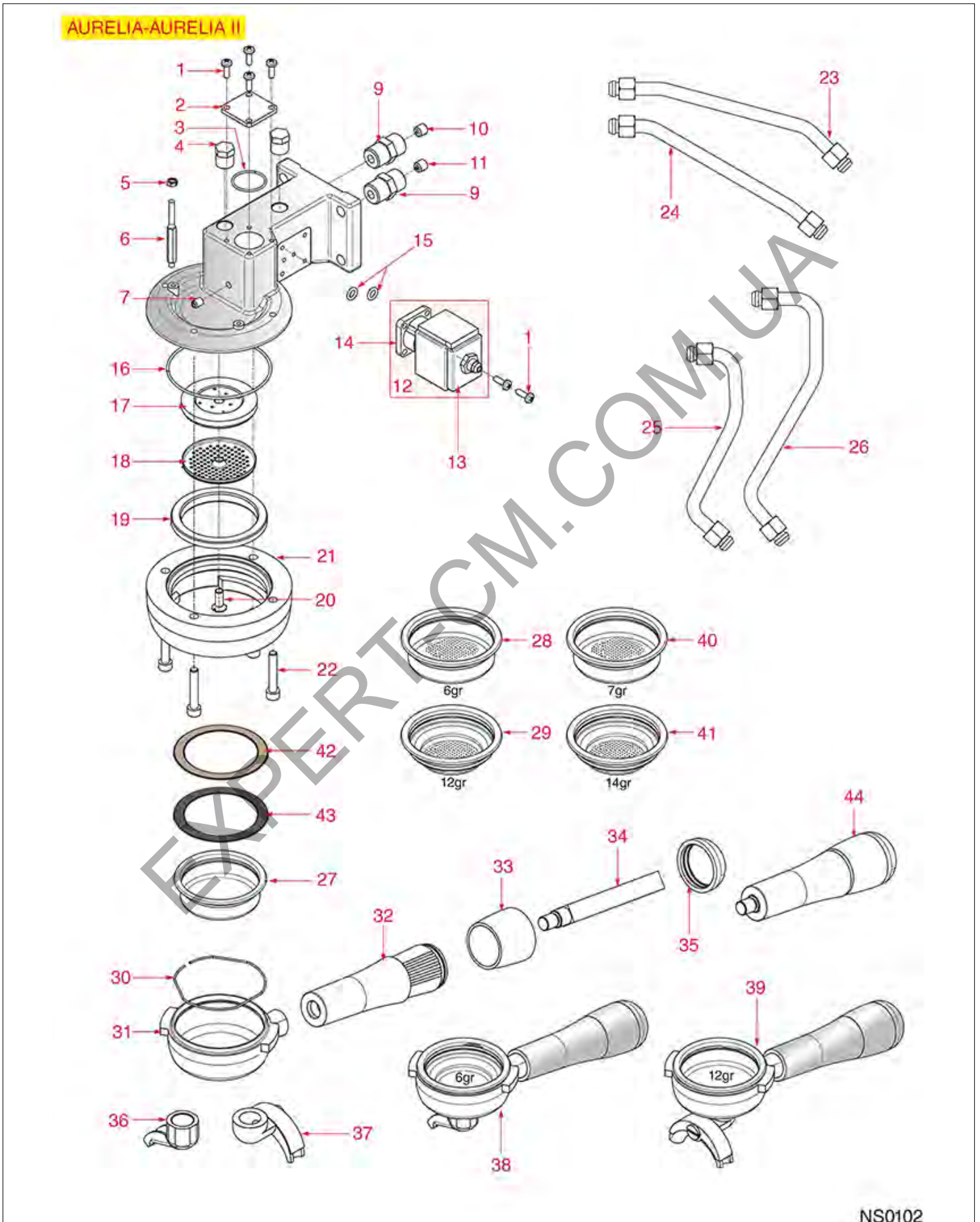




BREW GROUP AURELIA/AURELIA II



Positions without LF code no.: upon request



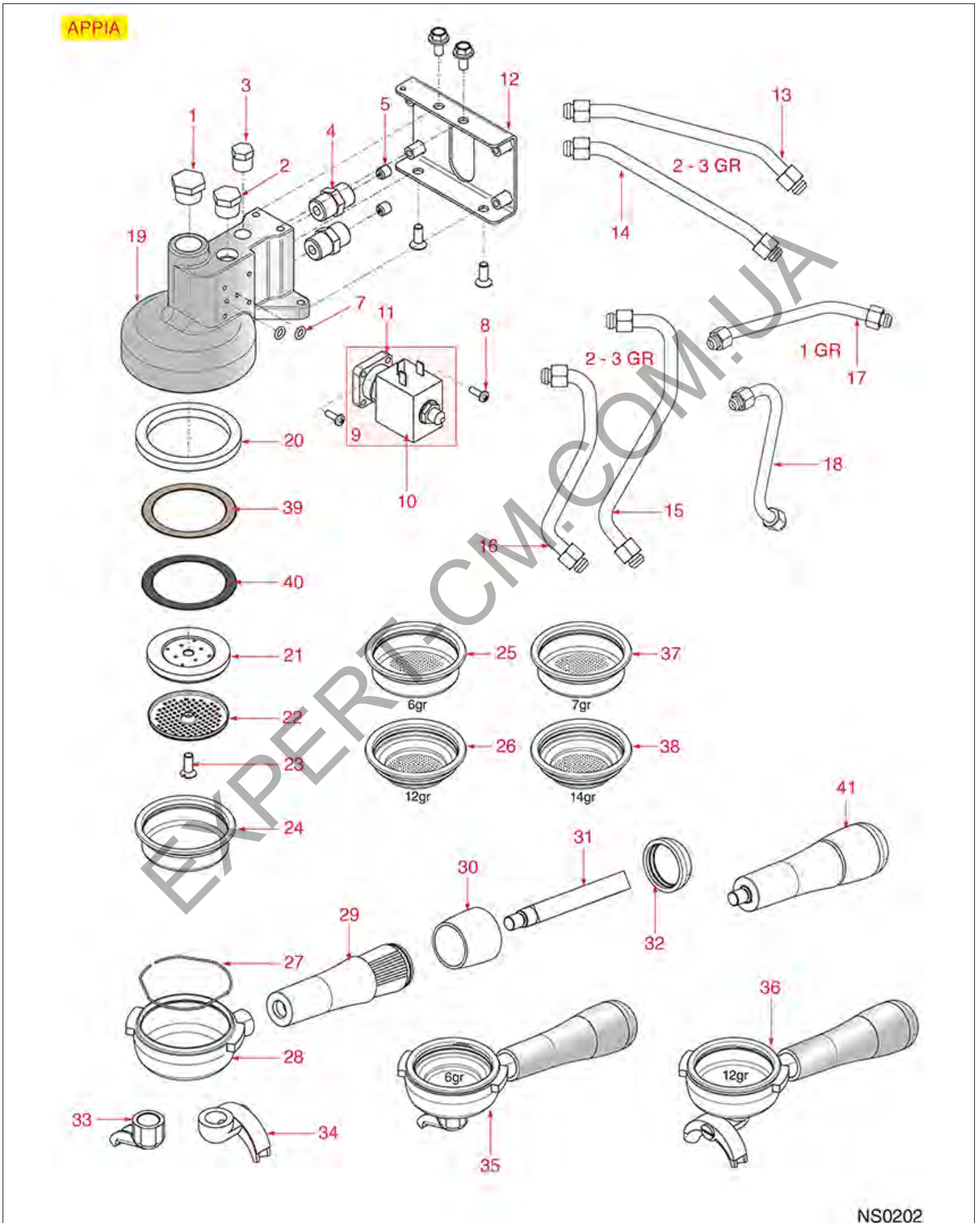
NUOVA SIMONELLI



Position	LF code no.	Description
1	1184006	LOW CYLINDER HEAD SCREW M4x12
2	1018507	FITTING CAP
3	1186401	O-RING 02093 EPDM
4	1439020	CAP \varnothing 1/4" M FOR BREW GROUP
9	1349032	COUPLING 3/8" M-3/8" M INSIDE M8
12	1120330	3-WAY SOLENOID VALVE LUCIFER 240V 50Hz
12	1120335	3-WAY SOLENOID VALVE PARKER 230V 50/60Hz
13	1120332	COIL LUCIFER/PARKER 220/240V 9W 50Hz
13	3120032	COIL PARKER ZB09 9W 220/240V 50/60Hz
14	1120334	3-WAY MECHANICAL COMPONENT LUCIFER
14	1120339	3-WAY MECHANICAL COMPONENT PARKER
15	1186610	RED SILICONE O-RING R5 GASKET
15	1186611	O-RING 02025 RED SILICONE
15	1186612	O-RING 02025 VITON
16	1186397	O RING GASKET OR 02300 EPDM
17	1326001	SHOWER HOLDER SPRAYER
18	1081026	SHOWER \varnothing 56.5 mm
18	1081098	SHOWER SCREEN \varnothing 57.0 MM
19	1186402	FILTER HOLDER GASKET \varnothing 71x56x9 mm
19	1186701	FILTER HOLDER GASKET \varnothing 71x56x9 mm
20	1528016	COUNTERSUNK FLAT HEAD SCREWS M6x16
21	1802001	FILTER-HOLDER COUPLING BELL
27	1160339	BLIND FILTER
28	1160070	1 CUP FILTER 6 gr
29	1160071	2 CUPS FILTER 12 gr
30	1250101	FILTER BLOCKING SPRING \varnothing 1,00 mm INOX
31	1165012	FILTER HOLDER SIMONELLI
32	1241027	FILTER HOLDER KNOB
33	1241026	RUBBER F. FILTER HOLDER HANDLE
34	1241031	STAIN.STEEL PIN F. FILTER HOLDER HANDLE
35	1241032	FILTER HOLDER KNOB CAP
36	1022501	SINGLE SPOUT \varnothing 3/8"
37	1022502	DOUBLE SPOUT \varnothing 3/8"
38	1165045	1 CUP FILTER HOLDER ASSEMBLY SIMONELLI
39	1165055	2 CUPS FILTER HOLDER ASSEMBLY SIMONELLI
40	1160072	1 CUP FILTER 7 gr
41	1160053	2 CUPS FILTER 14 gr
42	1190001	PAPER SHIM \varnothing 73x59x0.8 mm
43	1190002	RUBBER SHIM \varnothing 73x59x1 mm EPDM
44	5035724	KNOB FILTER HOLDER M10 COMPLETE



BREW GROUP APPIA



NS0202

Positions without LF code no.: upon request



NUOVA SIMONELLI

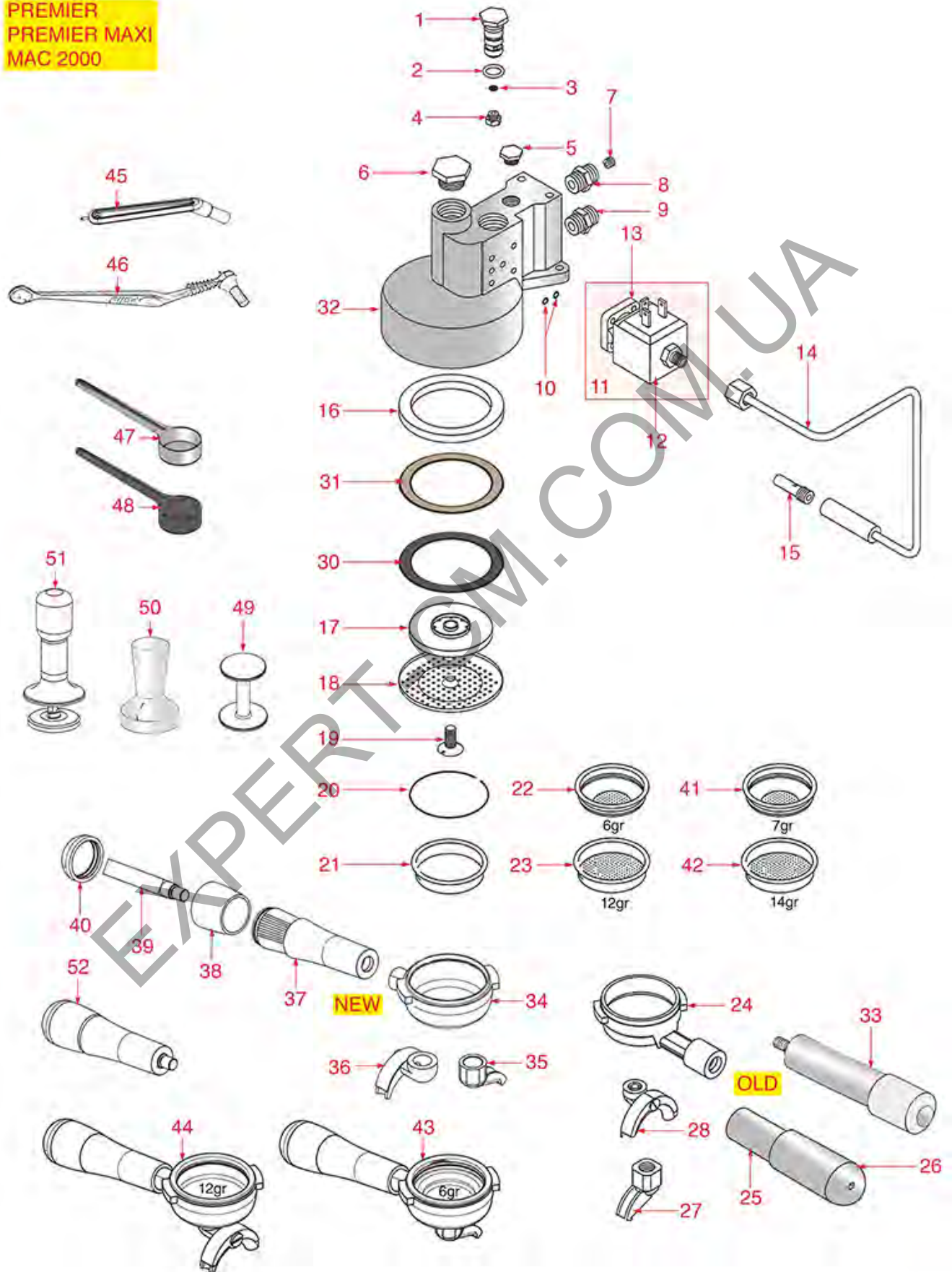


Position	LF code no.	Description
1	1439022	CAP ø 20 mm FOR BREW GROUP
2	1439023	BOILER CAP ø 3/8" M
3	1439020	CAP ø 1/4" M FOR BREW GROUP
4	1349032	COUPLING 3/8" M-3/8" M INSIDE M8
7	1186610	RED SILICONE O-RING R5 GASKET
7	1186611	O-RING 02025 RED SILICONE
7	1186612	O-RING 02025 VITON
8	1184006	LOW CYLINDER HEAD SCREW M4x12
9	1120330	3-WAY SOLENOID VALVE LUCIFER 240V 50Hz
9	1120335	3-WAY SOLENOID VALVE PARKER 230V 50/60Hz
10	1120332	COIL LUCIFER/PARKER 220/240V 9W 50Hz
10	3120032	COIL PARKER ZB09 9W 220/240V 50/60Hz
11	1120334	3-WAY MECHANICAL COMPONENT LUCIFER
11	1120339	3-WAY MECHANICAL COMPONENT PARKER
20	1186400	FILTER HOLDER GASKET ø 71x56x8,2 mm
20	1186837	FILTER HOLDER GASKET ø 72x58x7 mm
20	1186838	FILTER HOLDER GASKET ø 72x58x7 mm
20	1486008	GASKET FOR FILTER HOLDER ø 72x58x7 mm
21	1326001	SHOWER HOLDER SPRAYER
22	1081026	SHOWER ø 56.5 mm
23	1528016	COUNTERSUNK FLAT HEAD SCREWS M6x16
24	1160339	BLIND FILTER
25	1160070	1 CUP FILTER 6 gr
26	1160071	2 CUPS FILTER 12 gr
27	1250101	FILTER BLOCKING SPRING ø 1,00 mm INOX
28	1165012	FILTER HOLDER SIMONELLI
29	1241027	FILTER HOLDER KNOB
30	1241026	RUBBER F. FILTER HOLDER HANDLE
31	1241031	STAIN.STEEL PIN F. FILTER HOLDER HANDLE
32	1241032	FILTER HOLDER KNOB CAP
33	1022501	SINGLE SPOUT ø 3/8"
34	1022502	DOUBLE SPOUT ø 3/8"
35	1165045	1 CUP FILTER HOLDER ASSEMBLY SIMONELLI
36	1165055	2 CUPS FILTER HOLDER ASSEMBLY SIMONELLI
37	1160072	1 CUP FILTER 7 gr
38	1160053	2 CUPS FILTER 14 gr
39	1190001	PAPER SHIM ø 73x59x0.8 mm
40	1190002	RUBBER SHIM ø 73x59x1 mm EPDM
41	5035724	KNOB FILTER HOLDER M10 COMPLETE



BREW GROUP PREMIER-MAXI-MAC2000

**PREMIER
PREMIER MAXI
MAC 2000**





NUOVA SIMONELLI

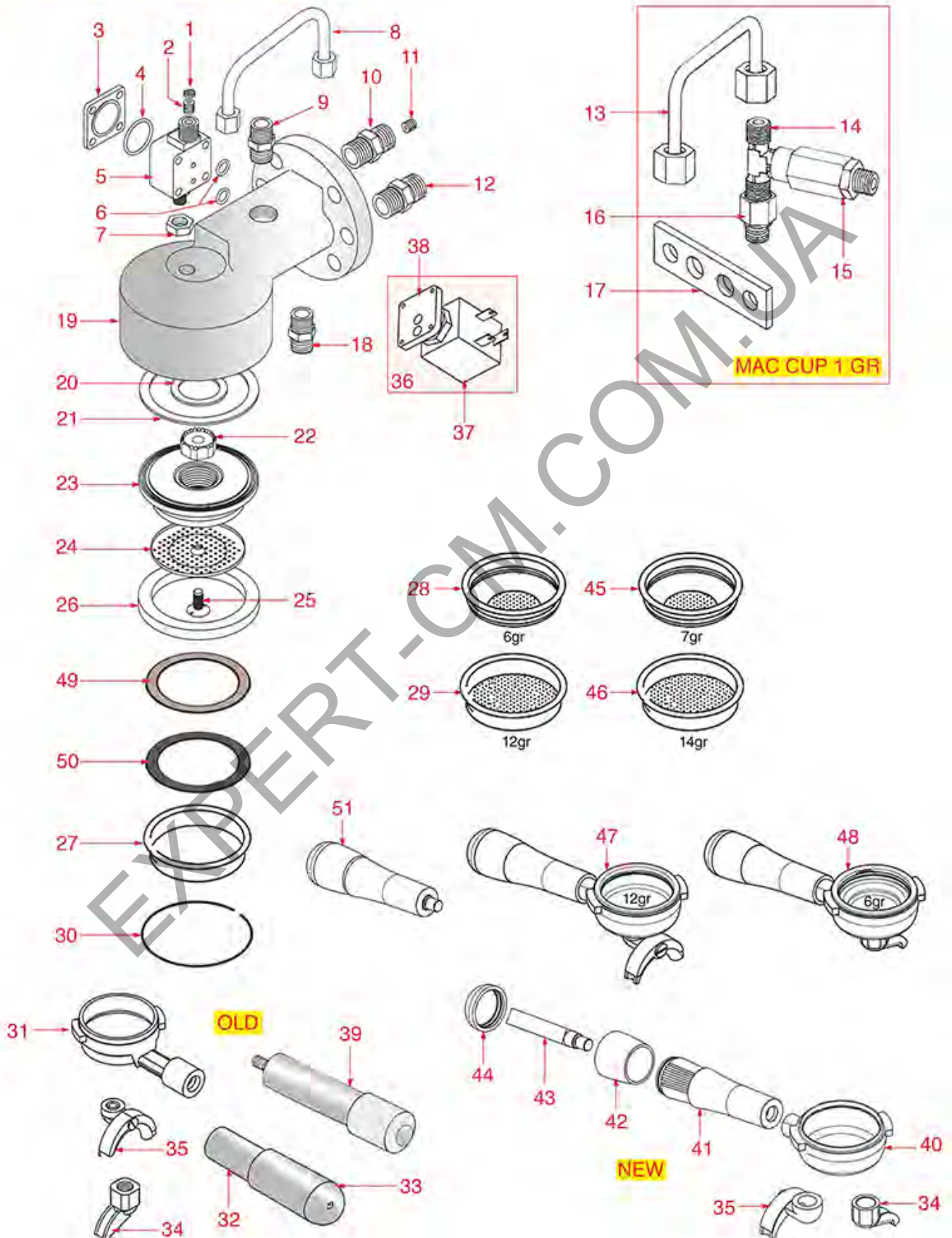


Position	LF code no.	Description
1	1349416	CAP FOR BREW GROUP
2	1186626	O-RING 0114 EPDM
3	1160566	STAINLESS STEEL WATER FILTER \varnothing 8 mm
4	1500526	NOZZLE M10x1 HOLE \varnothing 0.8 mm
5	1439020	CAP \varnothing 1/4" M FOR BREW GROUP
6	1439022	CAP \varnothing 20 mm FOR BREW GROUP
7	1349033	JET M8x1 HOLE \varnothing 4.0 mm
8	1349032	COUPLING 3/8" M-3/8" M INSIDE M8
9	1349103	FITTING \varnothing 3/8" M-3/8" M
10	1186611	O-RING 02025 RED SILICONE
10	1186612	O-RING 02025 VITON
11	1120330	3-WAY SOLENOID VALVE LUCIFER 240V 50Hz
11	1120335	3-WAY SOLENOID VALVE PARKER 230V 50/60Hz
12	1120332	COIL LUCIFER/PARKER 220/240V 9W 50Hz
12	3120032	COIL PARKER ZB09 9W 220/240V 50/60Hz
13	1120334	3-WAY MECHANICAL COMPONENT LUCIFER
13	1120339	3-WAY MECHANICAL COMPONENT PARKER
16	1186837	FILTER HOLDER GASKET \varnothing 72x58x7 mm
16	1186838	FILTER HOLDER GASKET \varnothing 72x58x7 mm
16	1486008	GASKET FOR FILTER HOLDER \varnothing 72x58x7 mm
17	1326037	SHOWER HOLDER SPRAYER
18	1081026	SHOWER \varnothing 56.5 mm
19	1528016	COUNTERSUNK FLAT HEAD SCREWS M6x16
20	1250101	FILTER BLOCKING SPRING \varnothing 1,00 mm INOX
21	1160339	BLIND FILTER
22	1160070	1 CUP FILTER 6 gr
23	1160071	2 CUPS FILTER 12 gr
24	1165012	FILTER HOLDER SIMONELLI
25	1241023	FILTER HOLDER HANDLE
27	1022501	SINGLE SPOUT \varnothing 3/8"
28	1022502	DOUBLE SPOUT \varnothing 3/8"
30	1190002	RUBBER SHIM \varnothing 73x59x1 mm EPDM
31	1190001	PAPER SHIM \varnothing 73x59x0.8 mm
33	1241505	KNOB FILTER HOLDER M10
34	1165012	FILTER HOLDER SIMONELLI
35	1022501	SINGLE SPOUT \varnothing 3/8"
36	1022502	DOUBLE SPOUT \varnothing 3/8"
37	1241027	FILTER HOLDER KNOB
38	1241026	RUBBER F. FILTER HOLDER HANDLE
39	1241031	STAIN. STEEL PIN F. FILTER HOLDER HANDLE
40	1241032	FILTER HOLDER KNOB CAP
41	1160072	1 CUP FILTER 7 gr
42	1160053	2 CUPS FILTER 14 gr
43	1165045	1 CUP FILTER HOLDER ASSEMBLY SIMONELLI
44	1165055	2 CUPS FILTER HOLDER ASSEMBLY SIMONELLI
45	1384001	BRUSH FOR COFFEE SHOWER
46	1384003	BLACK SHOWER CLEANING BRUSH
47	1069002	STAINLESS STEEL MEASURING SPOON 20 ml
48	1069001	PLASTIC MEASURING SPOON 20 ml
49	1385002	NYLON COFFEE TAMPER \varnothing 50/57 mm
50	1385053	ANODISED ALUMINUM TAMPER \varnothing 58 mm
51	1385600	DYNAMOMETRIC MANUAL COFFEE TAMPER \varnothing 57mm
51	1385602	TAMPER MANUAL DYNAMOMETRICAL \varnothing 57 mm
52	5035724	KNOB FILTER HOLDER M10 COMPLETE



BREW GROUP PROGRAM-MACC-PERSONAL

PROGRAM VIP - MAC CUP - PERSONAL



NS0402



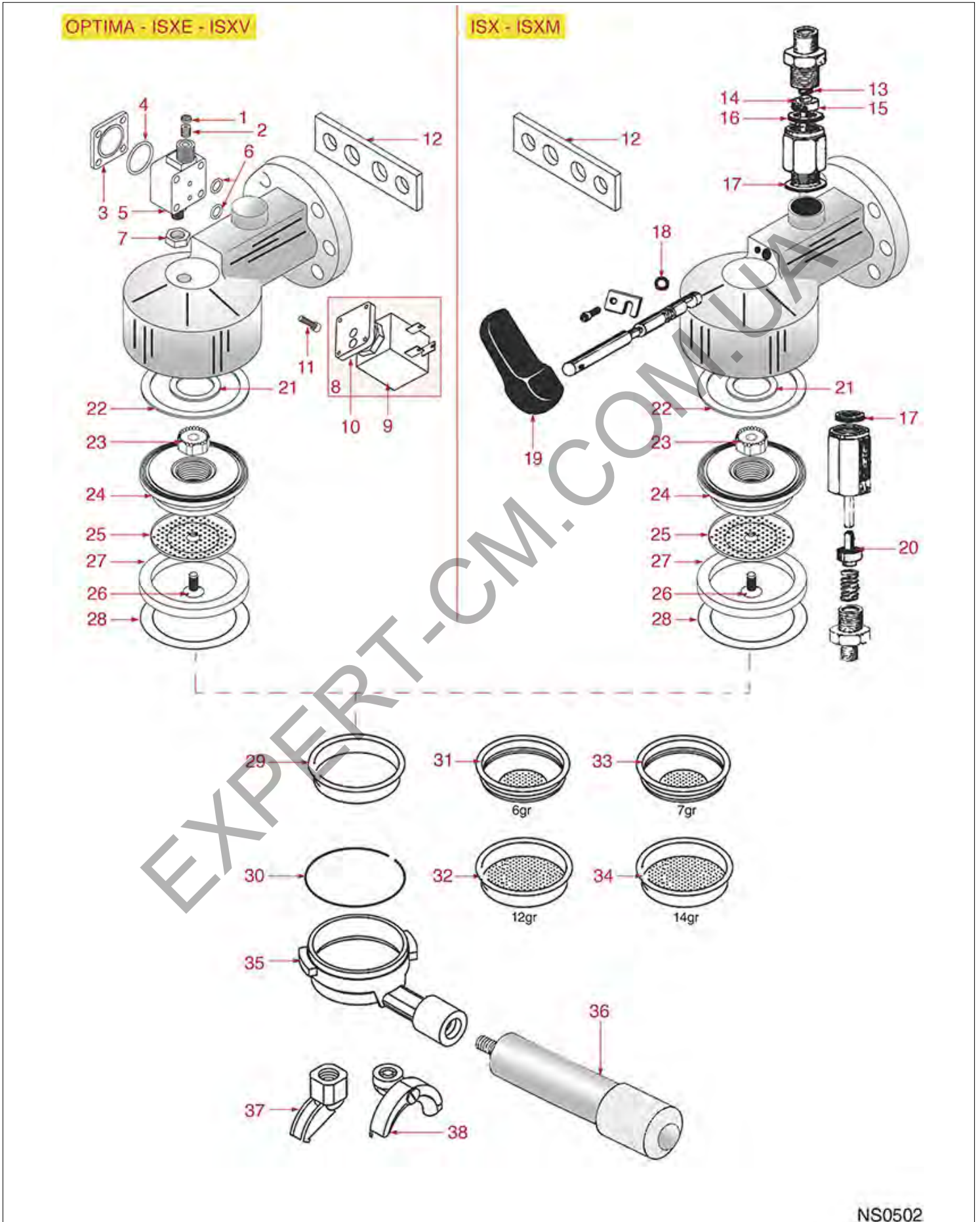
NUOVA SIMONELLI



Position	LF code no.	Description
1	1160566	STAINLESS STEEL WATER FILTER \varnothing 8 mm
2	1501574	JET M6x6 LOCK \varnothing 0.8 mm
2	1501578	NOZZLE M6x1 HOLE \varnothing 0,5 mm
3	1018507	FITTING CAP
4	1186401	O-RING 02093 EPDM
5	1018506	NOZZLE HOLDER FITTING FOR SOLENOID VALVE
6	1186610	RED SILICONE O-RING R5 GASKET
6	1186611	O-RING 02025 RED SILICONE
6	1186612	O-RING 02025 VITON
7	1348035	NUT \varnothing 1/8"
8	1449035	VALVE MANIFOLD PIPE
9	1349102	FITTING \varnothing 1/4"M-1/4"M
10	1349032	COUPLING 3/8"M-3/8"M INSIDE M8
11	1349033	JET M8x1 HOLE \varnothing 4.0 mm
12	1349103	FITTING \varnothing 3/8"M-3/8"M
15	1523405	EXPANSION VALVE \varnothing 1/4"M-1/4"M
17	1186546	COFFEE GROUP GASKET 100x30x3 mm
18	1349102	FITTING \varnothing 1/4"M-1/4"M
20	1186547	FLAT CARBO GASKET \varnothing 32x24x1.5 mm
21	1186548	FLAT CARBO GASKET \varnothing 73x61.1x1.5 mm
22	1501576	BREW GROUP SPRAY NOZZLE
23	1326036	SHOWER HOLDER SPRAYER
24	1081026	SHOWER \varnothing 56.5 mm
25	1528016	COUNTERSUNK FLAT HEAD SCREWS M6x16
26	1186837	FILTER HOLDER GASKET \varnothing 72x58x7 mm
26	1186838	FILTER HOLDER GASKET \varnothing 72x58x7 mm
26	1486008	GASKET FOR FILTER HOLDER \varnothing 72x58x7 mm
27	1160339	BLIND FILTER
28	1160070	1 CUP FILTER 6 gr
29	1160071	2 CUPS FILTER 12 gr
30	1250101	FILTER BLOCKING SPRING \varnothing 1,00 mm INOX
31	1165012	FILTER HOLDER SIMONELLI
32	1241023	FILTER HOLDER HANDLE
34	1022501	SINGLE SPOUT \varnothing 3/8"
35	1022502	DOUBLE SPOUT \varnothing 3/8"
36	1120330	3-WAY SOLENOID VALVE LUCIFER 240V 50Hz
36	1120335	3-WAY SOLENOID VALVE PARKER 230V 50/60Hz
37	1120332	COIL LUCIFER/PARKER 220/240V 9W 50Hz
37	3120032	COIL PARKER ZB09 9W 220/240V 50/60Hz
38	1120334	3-WAY MECHANICAL COMPONENT LUCIFER
38	1120339	3-WAY MECHANICAL COMPONENT PARKER
39	1241505	KNOB FILTER HOLDER M10
40	1165012	FILTER HOLDER SIMONELLI
41	1241027	FILTER HOLDER KNOB
42	1241026	RUBBER F. FILTER HOLDER HANDLE
43	1241031	STAIN.STEEL PIN F. FILTER HOLDER HANDLE
44	1241032	FILTER HOLDER KNOB CAP
45	1160072	1 CUP FILTER 7 gr
46	1160053	2 CUPS FILTER 14 gr
47	1165055	2 CUPS FILTER HOLDER ASSEMBLY SIMONELLI
48	1165045	1 CUP FILTER HOLDER ASSEMBLY SIMONELLI
49	1190001	PAPER SHIM \varnothing 73x59x0.8 mm
50	1190002	RUBBER SHIM \varnothing 73x59x1 mm EPDM
51	5035724	KNOB FILTER HOLDER M10 COMPLETE



BREW GROUP OPTIMA-ISX



Positions without LF code no.: upon request



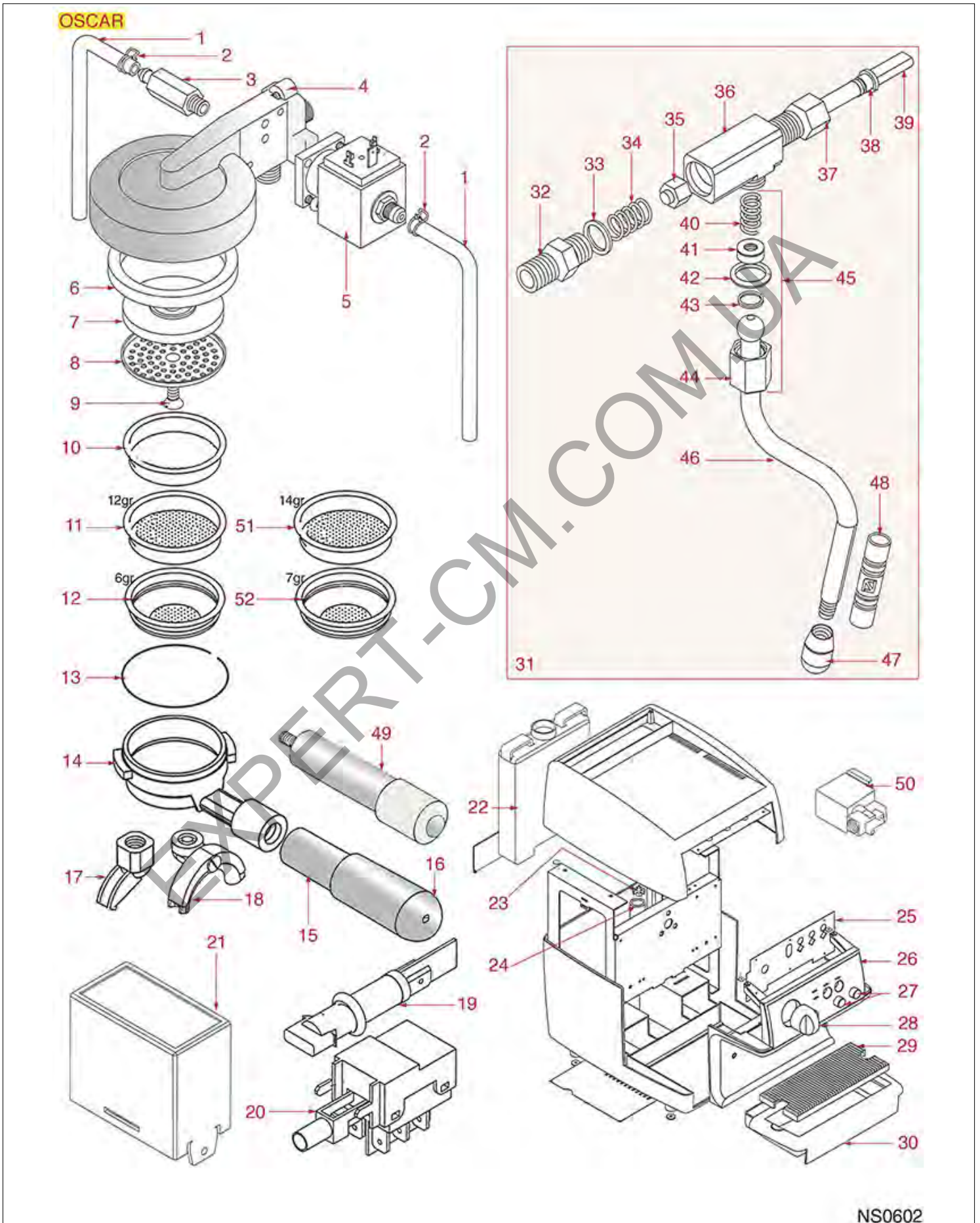
NUOVA SIMONELLI



Position	LF code no.	Description
1	1160566	STAINLESS STEEL WATER FILTER \varnothing 8 mm
2	1501574	JET M6x6 LOCK \varnothing 0.8 mm
3	1018507	FITTING CAP
4	1186401	O-RING 02093 EPDM
5	1018506	NOZZLE HOLDER FITTING FOR SOLENOID VALVE
6	1186610	RED SILICONE O-RING R5 GASKET
6	1186611	O-RING 02025 RED SILICONE
6	1186612	O-RING 02025 VITON
7	1348035	NUT \varnothing 1/8"
8	1120330	3-WAY SOLENOID VALVE LUCIFER 240V 50Hz
8	1120335	3-WAY SOLENOID VALVE PARKER 230V 50/60Hz
9	1120332	COIL LUCIFER/PARKER 220/240V 9W 50Hz
9	3120032	COIL PARKER ZB09 9W 220/240V 50/60Hz
10	1120334	3-WAY MECHANICAL COMPONENT LUCIFER
10	1120339	3-WAY MECHANICAL COMPONENT PARKER
11	1184006	LOW CYLINDER HEAD SCREW M4x12
12	1186546	COFFEE GROUP GASKET 100x30x3 mm
13	1250531	SPRING \varnothing 11.5x25 mm
17	1186171	ROUND COPPER GASKET \varnothing 22x16.5x2.2 mm
18	3243009	O-RING GASKET 0106 EPDM
21	1186547	FLAT CARBO GASKET \varnothing 32x24x1.5 mm
22	1186548	FLAT CARBO GASKET \varnothing 73x61.1x1.5 mm
23	1501576	BREW GROUP SPRAY NOZZLE
24	1326036	SHOWER HOLDER SPRAYER
25	1081026	SHOWER \varnothing 56.5 mm
26	1528016	COUNTERSUNK FLAT HEAD SCREWS M6x16
27	1186836	FILTER HOLDER GASKET \varnothing 72x58x4.5 mm
27	1186837	FILTER HOLDER GASKET \varnothing 72x58x7 mm
27	1186838	FILTER HOLDER GASKET \varnothing 72x58x7 mm
27	1486008	GASKET FOR FILTER HOLDER \varnothing 72x58x7 mm
28	1190051	PAPER SEAL \varnothing 70x57x0.8 mm
29	1160339	BLIND FILTER
30	1250101	FILTER BLOCKING SPRING \varnothing 1,00 mm INOX
31	1160070	1 CUP FILTER 6 gr
32	1160071	2 CUPS FILTER 12 gr
33	1160072	1 CUP FILTER 7 gr
34	1160053	2 CUPS FILTER 14 gr
35	1165012	FILTER HOLDER SIMONELLI
36	1241505	KNOB FILTER HOLDER M10
37	1022501	SINGLE SPOUT \varnothing 3/8"
37	1022503	STRAIGHT SINGLE SPOUT \varnothing 3/8"
38	1022502	DOUBLE SPOUT \varnothing 3/8"



BREW GROUP AND MISCELLANEOUS OSCAR



NS0602

Positions without LF code no.: upon request



NUOVA SIMONELLI

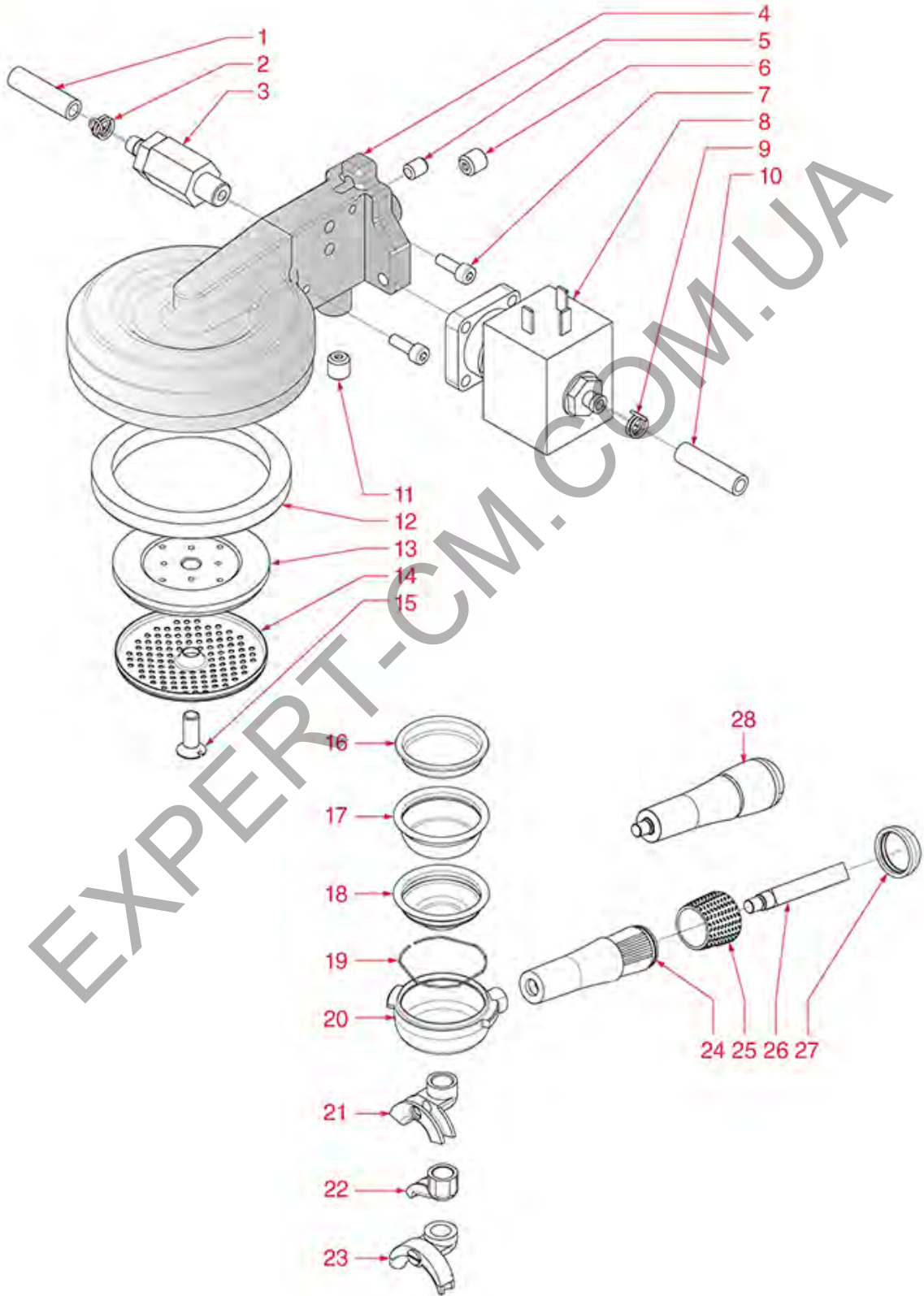


Position	LF code no.	Description
1	1449682	SILICONE HOSE \varnothing 5x8 SHORE 60 - 10 m
5	1120330	3-WAY SOLENOID VALVE LUCIFER 240V 50Hz
5	1120335	3-WAY SOLENOID VALVE PARKER 230V 50/60Hz
6	1186400	FILTER HOLDER GASKET \varnothing 71x56x8,2 mm
6	1186837	FILTER HOLDER GASKET \varnothing 72x58x7 mm
6	1186838	FILTER HOLDER GASKET \varnothing 72x58x7 mm
6	1486008	GASKET FOR FILTER HOLDER \varnothing 72x58x7 mm
7	1326037	SHOWER HOLDER SPRAYER
8	1081026	SHOWER \varnothing 56.5 mm
9	1528016	COUNTERSUNK FLAT HEAD SCREWS M6x16
10	1160339	BLIND FILTER
11	1160071	2 CUPS FILTER 12 gr
12	1160070	1 CUP FILTER 6 gr
13	1250101	FILTER BLOCKING SPRING \varnothing 1,00 mm INOX
14	1165012	FILTER HOLDER SIMONELLI
15	1241023	FILTER HOLDER HANDLE
17	1022501	SINGLE SPOUT \varnothing 3/8"
18	1022502	DOUBLE SPOUT \varnothing 3/8"
19	1221004	RED PILOT LIGHT 230V
20	1319092	BIPOLAR SWITCH 16A 250V
21	1341004	LEVEL REGULATOR RL30/2S/3R 230V
22	1080161	WATER CONTAINER 2 L
31	5027943	COMPLETE STEAM TAP
32	1349031	COUPLING 3/8" \varnothing SPRING HOLDER
33	3243086	O-RING 0117 EPDM
34	1250531	SPRING \varnothing 11.5x25 mm
35	1321601	COMPLETE GASKET HOLDER FOR TAP
38	1186514	O-RING 02015 SILICON
40	1250019	SPRING \varnothing 12x16.5 mm
42	3243086	O-RING 0117 EPDM
43	1186805	O-RING 0115 EPDM
45	1349516	NUT \varnothing 3/8"F FOR WATER/STEAM PIPE
48	1186398	BURN PREVENTING PIPE HANDGRIP \varnothing 8 mm
49	1241505	KNOB FILTER HOLDER M10
50	1120040	2-WAY SOLENOID VALVE ODE \varnothing 1/4" 230V 8W
51	1160053	2 CUPS FILTER 14 gr
52	1160072	1 CUP FILTER 7 gr



BREW GROUP MUSICA

MUSICA





NUOVA SIMONELLI

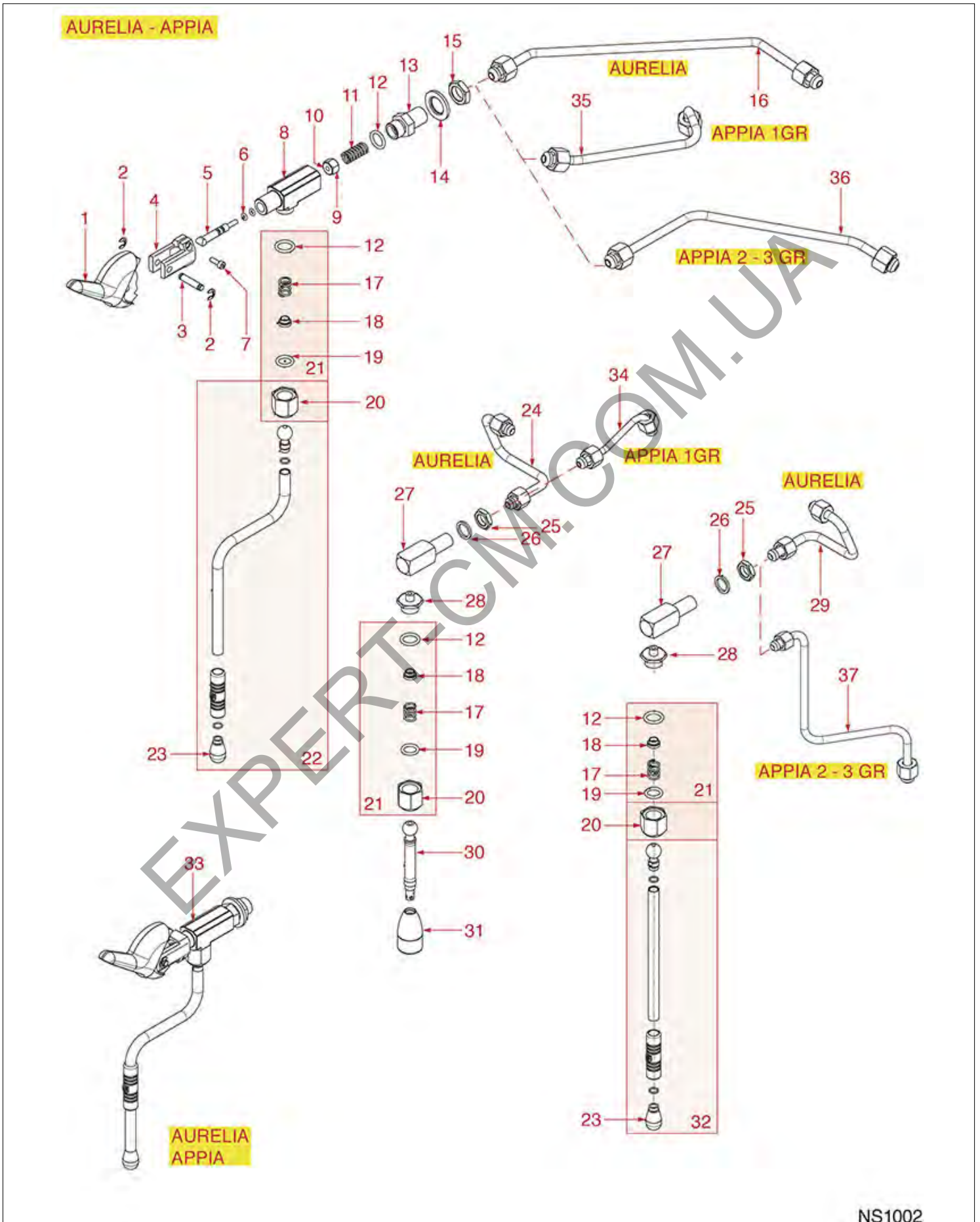


Position	LF code no.	Description
1	1449282	SILICONE HOSE \varnothing 5x8 SHORE 60 - 100 m
1	1449682	SILICONE HOSE \varnothing 5x8 SHORE 60 - 10 m
2	3449404	DOUBLE-WIRE CLAMP 8.8-9.3 - 100 PCS
3	5036751	EXPANSION VALVE \varnothing 1/8" M - 8 mm
7	1184006	LOW CYLINDER HEAD SCREW M4x12
8	1120335	3-WAY SOLENOID VALVE PARKER 230V 50/60Hz
9	3449404	DOUBLE-WIRE CLAMP 8.8-9.3 - 100 PCS
10	1449282	SILICONE HOSE \varnothing 5x8 SHORE 60 - 100 m
10	1449682	SILICONE HOSE \varnothing 5x8 SHORE 60 - 10 m
12	1165012	FILTER HOLDER SIMONELLI
13	1326037	SHOWER HOLDER SPRAYER
14	1081026	SHOWER \varnothing 56.5 mm
15	1528016	COUNTERSUNK FLAT HEAD SCREWS M6x16
16	1160339	BLIND FILTER
17	1160053	2 CUPS FILTER 14 gr
18	1160072	1 CUP FILTER 7 gr
19	1250101	FILTER BLOCKING SPRING \varnothing 1,00 mm INOX
20	1165012	FILTER HOLDER SIMONELLI
21	1022524	DOUBLE SPOUT \varnothing 3/8"
22	1022501	SINGLE SPOUT \varnothing 3/8"
23	1022502	DOUBLE SPOUT \varnothing 3/8"
24	1241027	FILTER HOLDER KNOB
25	1241026	RUBBER F. FILTER HOLDER HANDLE
26	1241031	STAIN.STEEL PIN F. FILTER HOLDER HANDLE
27	1241032	FILTER HOLDER KNOB CAP
28	5035724	KNOB FILTER HOLDER M10 COMPLETE

EXPERT-CM.COM.UA



STEAM-WATER TAP AURELIA-APPIA





NUOVA SIMONELLI

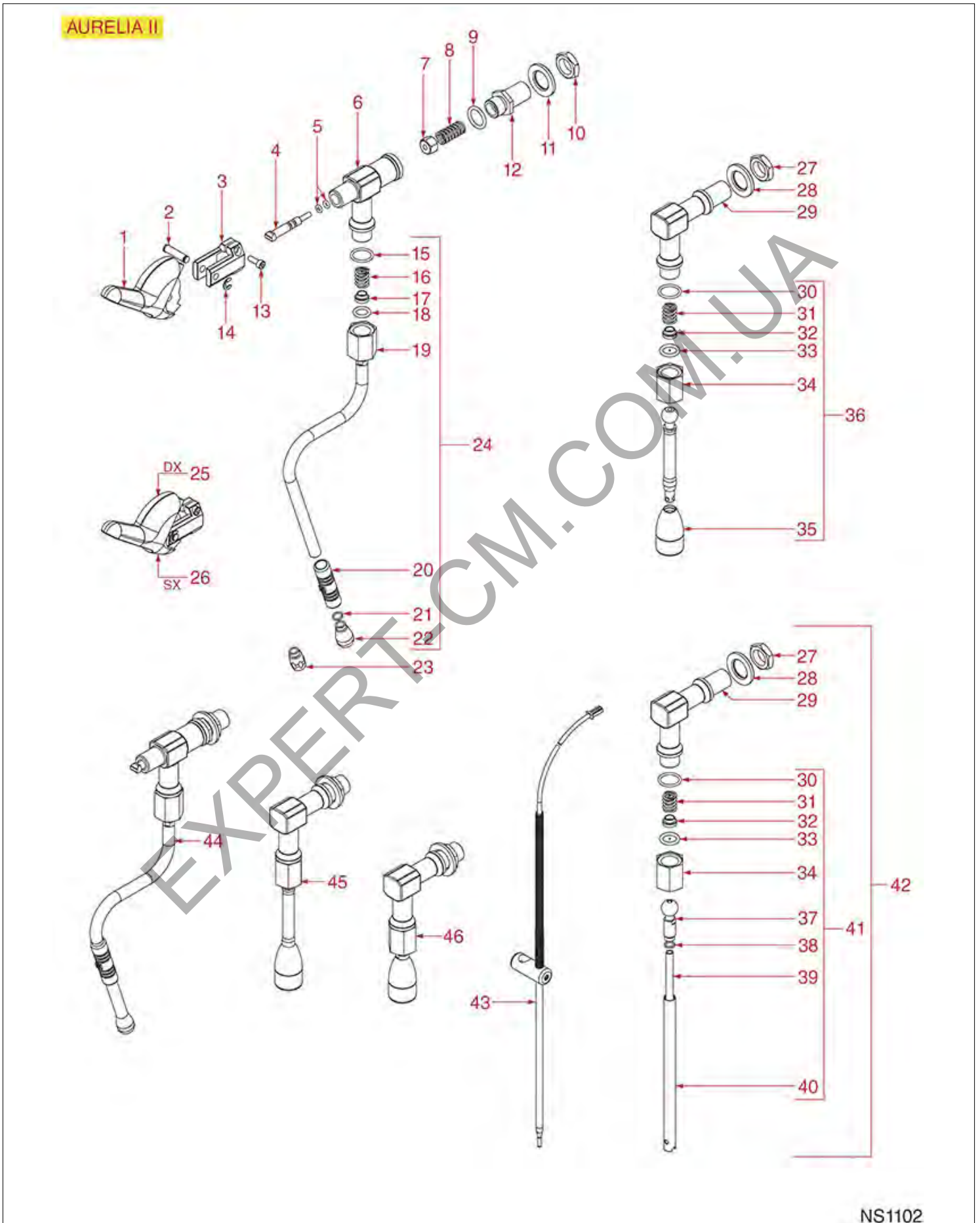


Position	LF code no.	Description
1	1241025	WATER/STEAM TAP KNOB
2	1250023	RADIAL SEEGER RING \varnothing 5 mm
3	1324069	STEAM TAP PIN
4	1348040	TAP FORK
5	1324073	TAP STAINLESS STEEL PIN
6	1186514	O-RING 02015 SILICON
7	1184006	LOW CYLINDER HEAD SCREW M4x12
8	1348038	TAP BODY
9	1321601	COMPLETE GASKET HOLDER FOR TAP
10	1186487	SILICONE FLAT GASKET \varnothing 12x4.5x4 mm
11	1250531	SPRING \varnothing 11.5x25 mm
12	3243086	O-RING 0117 EPDM
13	1349031	COUPLING 3/8" \varnothing SPRING HOLDER
14	1186399	WASHER FLAT M16
15	1348036	NUT \varnothing 3/8" WRENCH 21x6mm
17	1250019	SPRING \varnothing 12x16.5 mm
18	1186988	STEAM TAP JOINT BUSHING
19	1186805	O-RING 0115 EPDM
21	1349516	NUT \varnothing 3/8"F FOR WATER/STEAM PIPE
22	1449869	STEAM PIPE COMPLETE
23	1449065	NOZZLE FOR STEAM OUTLET /STAINLESS STEEL
30	1449032	COMPLETE WATER PIPE
31	1449036	NOZZLE FOR WATER
33	1348061	COMPLETE STEAM TAP RH-LH
33	1348261	TAP WATER/STEAM

EXPERT-CM.COM.UA



STEAM-WATER TAP AURELIA II



Positions without LF code no.: upon request



NUOVA SIMONELLI

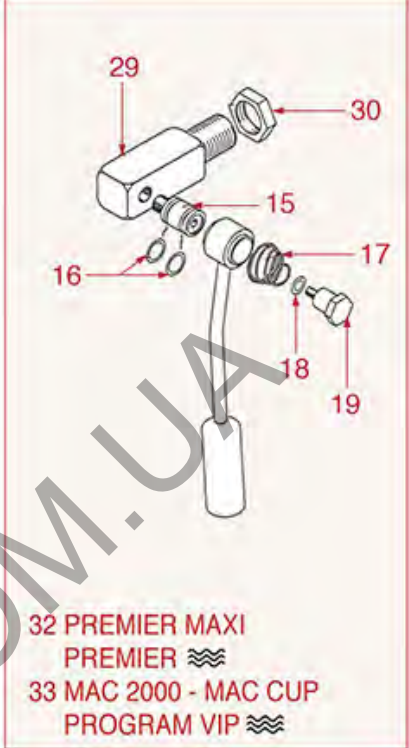
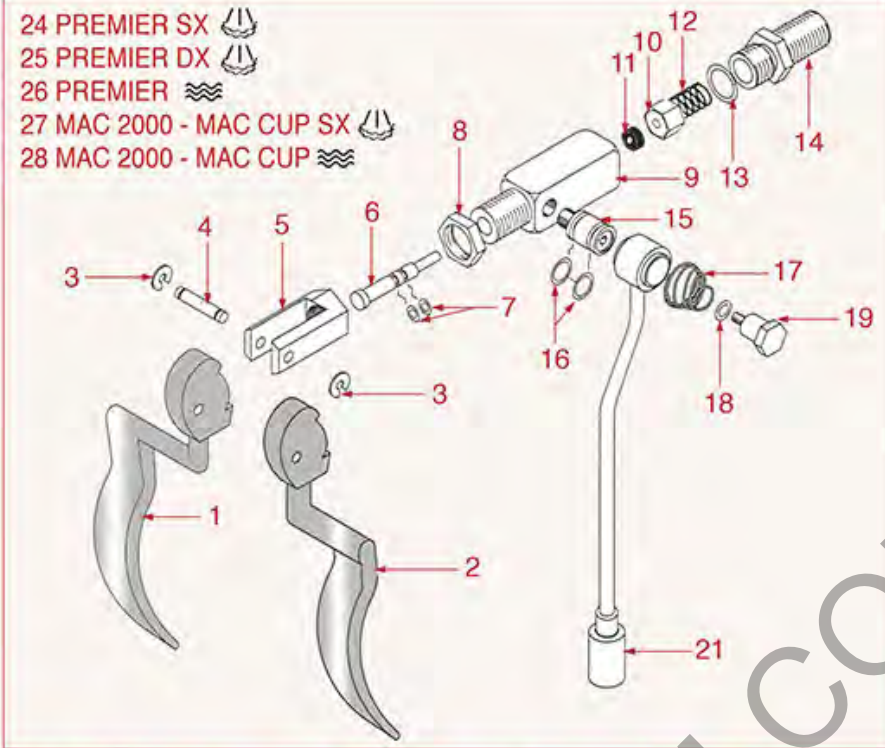


Position	LF code no.	Description
1	1241025	WATER/STEAM TAP KNOB
2	1324069	STEAM TAP PIN
3	1348040	TAP FORK
4	1324073	TAP STAINLESS STEEL PIN
5	1186514	O-RING 02015 SILICON
7	1321601	COMPLETE GASKET HOLDER FOR TAP
8	1250531	SPRING \varnothing 11.5x25 mm
9	3243086	O-RING 0117 EPDM
10	1348036	NUT \varnothing 3/8" WRENCH 21x6mm
11	1186399	WASHER FLAT M16
12	1349031	COUPLING 3/8" \varnothing SPRING HOLDER
13	1184006	LOW CYLINDER HEAD SCREW M4x12
14	1250023	RADIAL SEEGER RING \varnothing 5 mm
15	1186165	O-RING GASKET M 0160-20 EPDM
16	1250019	SPRING \varnothing 12x16.5 mm
17	1186988	STEAM TAP JOINT BUSHING
18	1786260	GASKET ORM 0102-25 PTFE
20	5030025	BURN PREVENTING RUBBERP.F/PIPE \varnothing 10 mm
21	5034069	GASKET ORM 0059-12 EPDM
22	1449065	NOZZLE FOR STEAM OUTLET /STAINLESS STEEL
23	5051782	ST.STEEL STEAM NOZZLE 8.5 mm \varnothing 1.2 mm
24	1549027	COMPLETE STAIN.STEEL STEAM PIPE \varnothing 10 mm
27	1348036	NUT \varnothing 3/8" WRENCH 21x6mm
28	1186399	WASHER FLAT M16
30	1186165	O-RING GASKET M 0160-20 EPDM
31	1250019	SPRING \varnothing 12x16.5 mm
32	1186988	STEAM TAP JOINT BUSHING
33	1186805	O-RING 0115 EPDM
35	1449036	NOZZLE FOR WATER
36	1449032	COMPLETE WATER PIPE
36	1549004	COMPLETE WATER PIPE
38	5034069	GASKET ORM 0059-12 EPDM

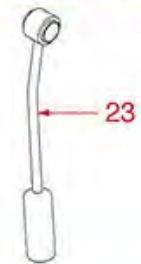
EXPERT-CM.COM.UA



STEAM-WATER TAP PREMIER-MAC



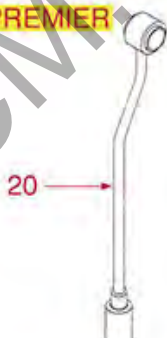
PREMIER
PREMIER MAXI



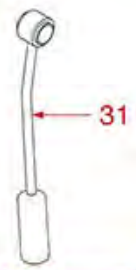
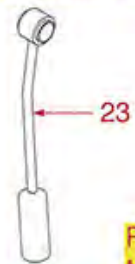
MAC 2000
MAC CUP



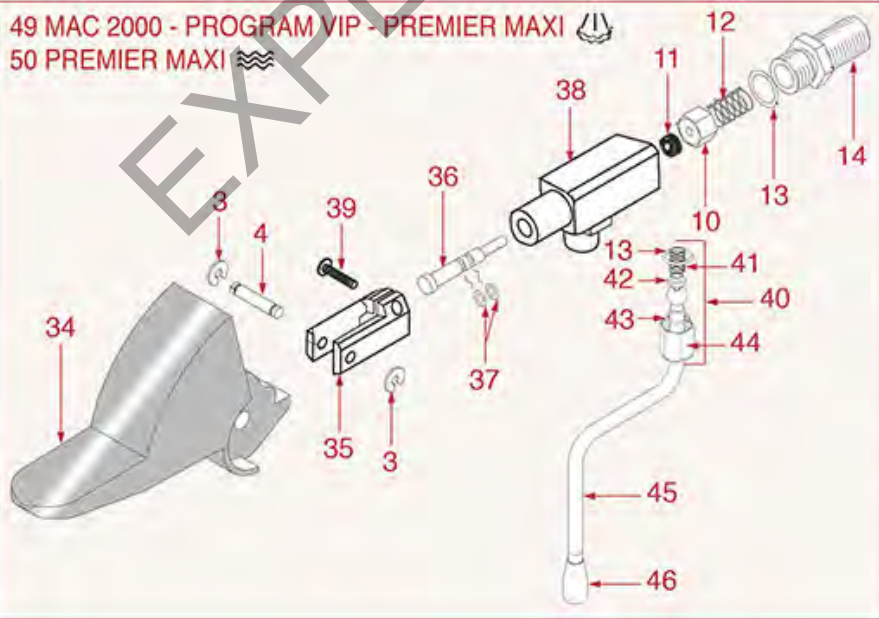
PREMIER



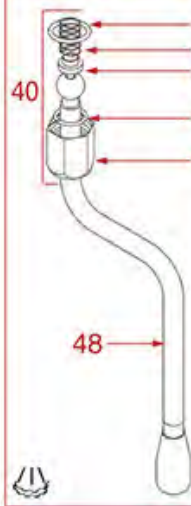
PREMIER
PREMIER MAXI



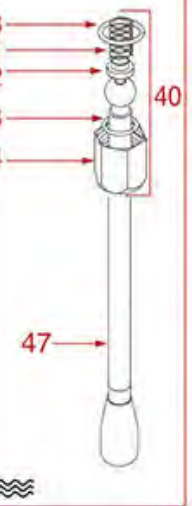
PROGRAM VIP
MAC 2000 - MAC CUP



PROGRAM VIP
MAC 2000
MAC CUP



PREMIER MAXI





NUOVA SIMONELLI

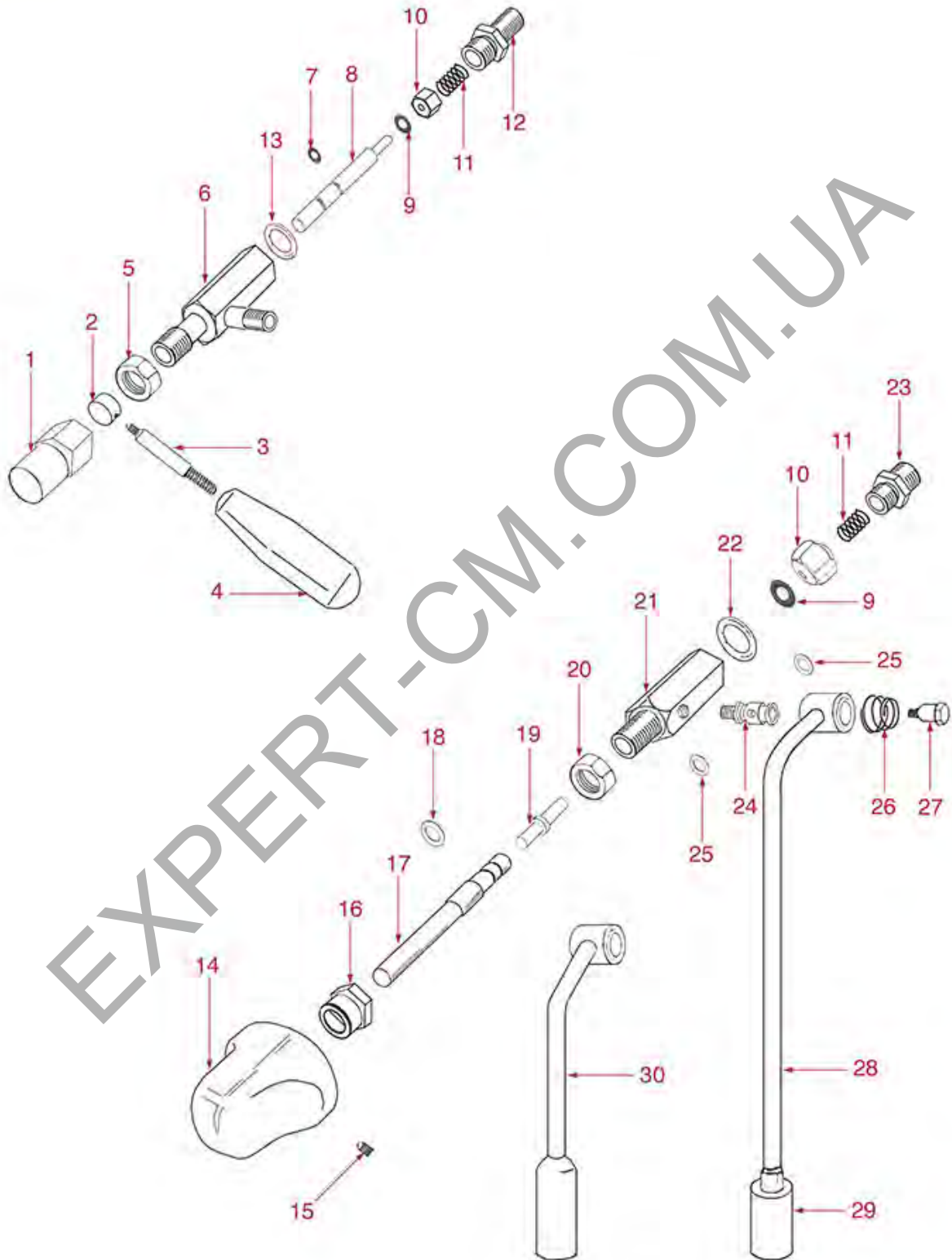


Position	LF code no.	Description
1	1241547	WATER/STEAM TAP HANDLE RH
2	1241546	WATER/STEAM TAP KNOB LH
3	1250023	RADIAL SEEGER RING \varnothing 5 mm
4	1324069	STEAM TAP PIN
5	1348040	TAP FORK
6	1324021	TAP CONTROL SPINDLE
7	1186514	O-RING 02015 SILICON
8	1348036	NUT \varnothing 3/8" WRENCH 21x6mm
10	1321601	COMPLETE GASKET HOLDER FOR TAP
11	1186487	SILICONE FLAT GASKET \varnothing 12x4.5x4 mm
12	1250531	SPRING \varnothing 11.5x25 mm
13	3243086	O-RING 0117 EPDM
14	1349031	COUPLING 3/8" \varnothing SPRING HOLDER
15	1324022	PIPE ARTICULATION PIN
16	1186422	O-RING 0108 EPDM
17	1250532	ARTICULATION SPRING 20.4x15.9x16.5 mm
18	1186610	RED SILICONE O-RING R5 GASKET
19	1324064	SPRING PIN
20	1449866	STEAM PIPE COMPLETE
21	1383001	STEAM NOZZLE
23	1449210	COMPLETE WATER PIPE
24	1348001	LEFT COMPLETE STEAM TAP
27	1348362	STEAM TAP ASSEMBLY
31	1449868	COMPLEYE S/STEEL WATER PIPE \varnothing 10 mm
34	1241548	WATER/STEAM TAP KNOB
35	1348040	TAP FORK
36	1324073	TAP STAINLESS STEEL PIN
37	1186514	O-RING 02015 SILICON
38	1348038	TAP BODY
39	1184006	LOW CYLINDER HEAD SCREW M4x12
40	1349516	NUT \varnothing 3/8" F FOR WATER/STEAM PIPE
43	1186805	O-RING 0115 EPDM
45	1449033	STEAM PIPE COMPLETE
46	1383002	STEAM NOZZLE
47	1449034	WATER PIPE
48	1449869	STEAM PIPE COMPLETE
49	1348261	TAP WATER/STEAM
49	1348364	STEAM TAP ASSEMBLY
50	1348261	TAP WATER/STEAM



STEAM-WATER TAP OPTIMA

OPTIMA



NS1302

Positions without LF code no.: upon request



NUOVA SIMONELLI

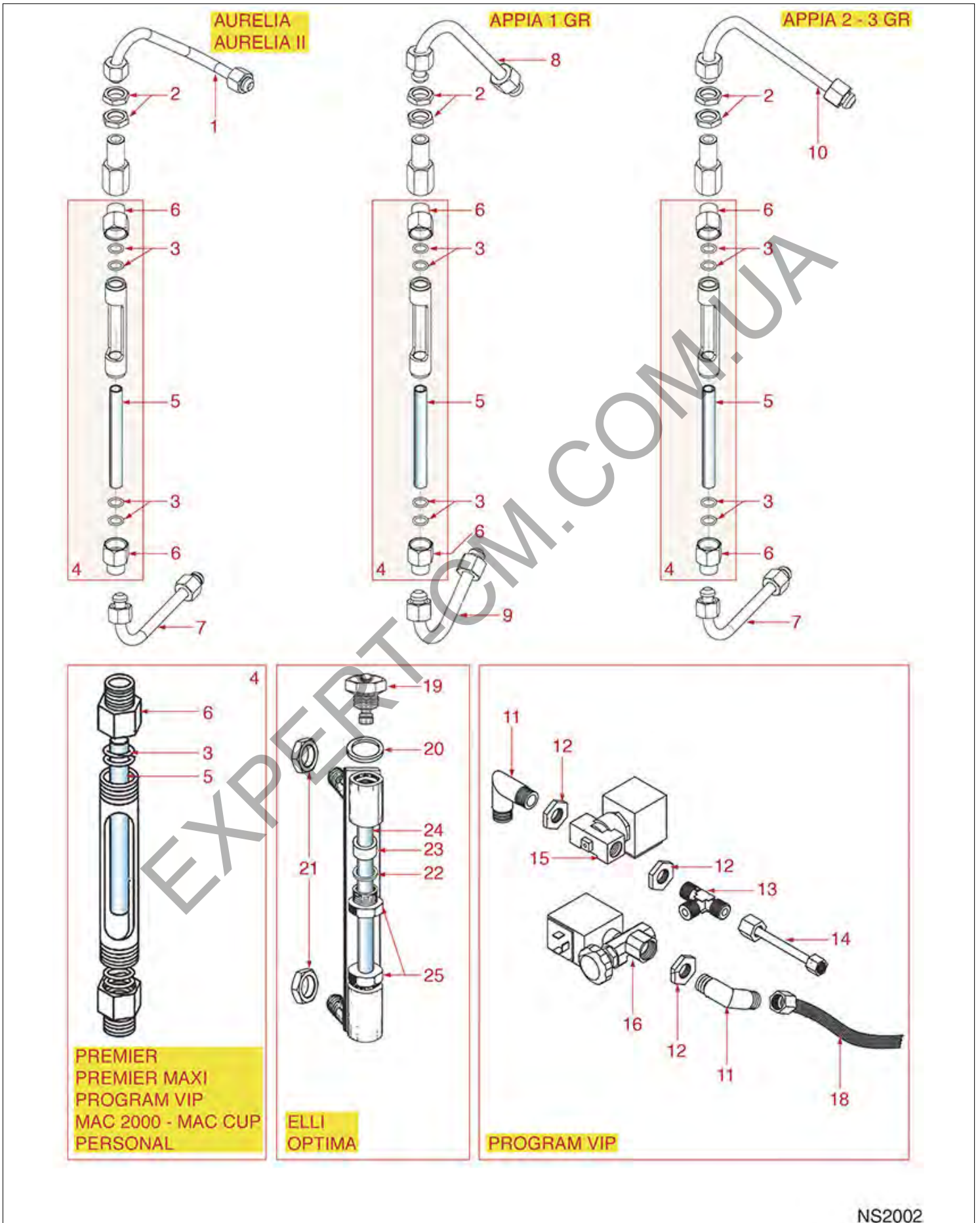


Position	LF code no.	Description
4	1241030	WATER/STEAM TAP KNOB
5	1348036	NUT \varnothing 3/8" WRENCH 21x6mm
7	1186514	O-RING 02015 SILICON
9	1186487	SILICONE FLAT GASKET \varnothing 12x4.5x4 mm
10	1321601	COMPLETE GASKET HOLDER FOR TAP
11	1250531	SPRING \varnothing 11.5x25 mm
15	1528643	SCREWS NO HEAD WITH HEX. SOCKET M6x20
17	1324072	TAP CONTROL PIN
18	1186610	RED SILICONE O-RING R5 GASKET
20	1348036	NUT \varnothing 3/8" WRENCH 21x6mm
22	3243086	O-RING 0117 EPDM
23	1349030	COUPLING \varnothing 3/8"M-1/4"M SPRING HOLDER
24	1324022	PIPE ARTICULATION PIN
25	1186610	RED SILICONE O-RING R5 GASKET
26	1250532	ARTICULATION SPRING 20.4x15.9x16.5 mm
27	1324064	SPRING PIN
28	1449866	STEAM PIPE COMPLETE
29	1383001	STEAM NOZZLE
30	1449210	COMPLETE WATER PIPE

EXPERT-CM.COM.UA



LEVELS





NUOVA SIMONELLI

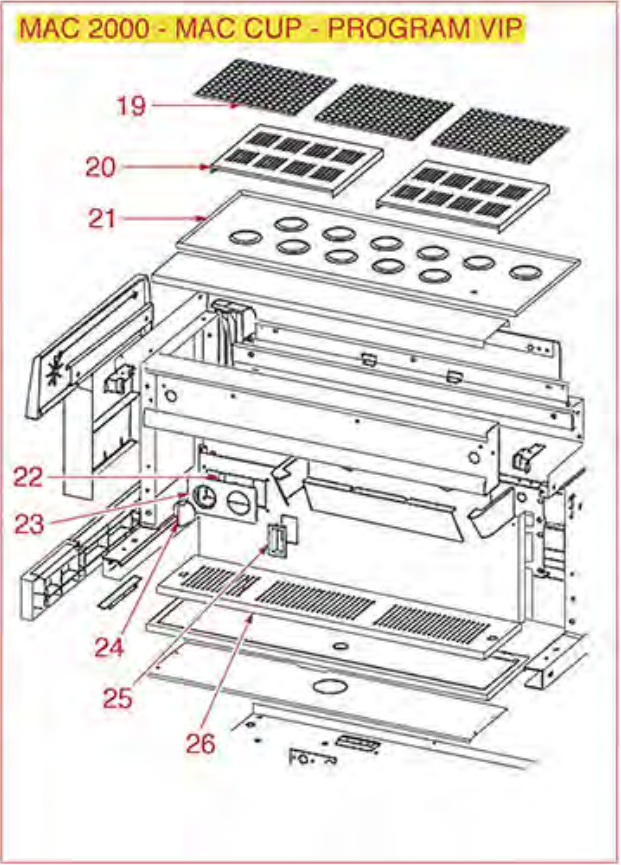
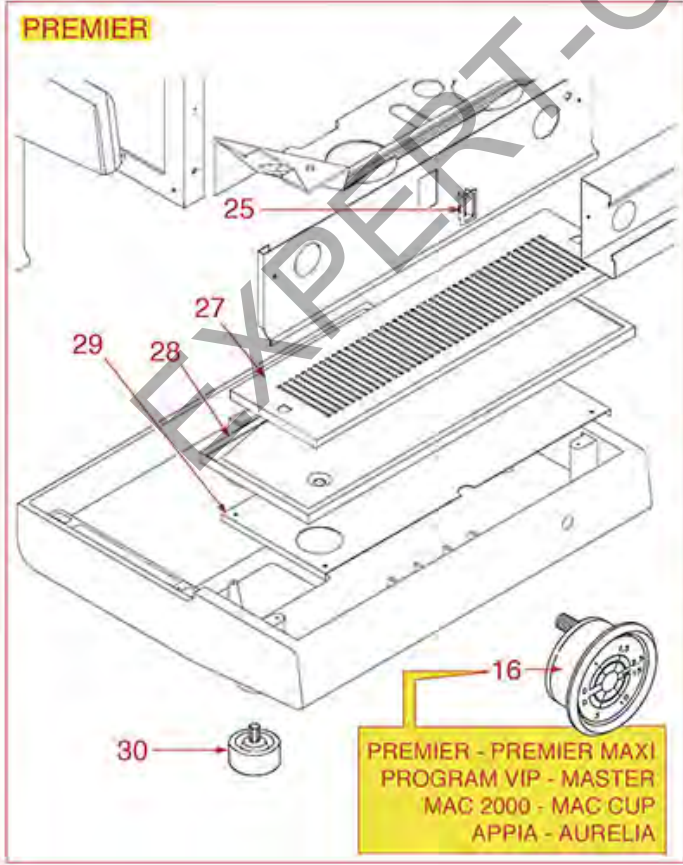
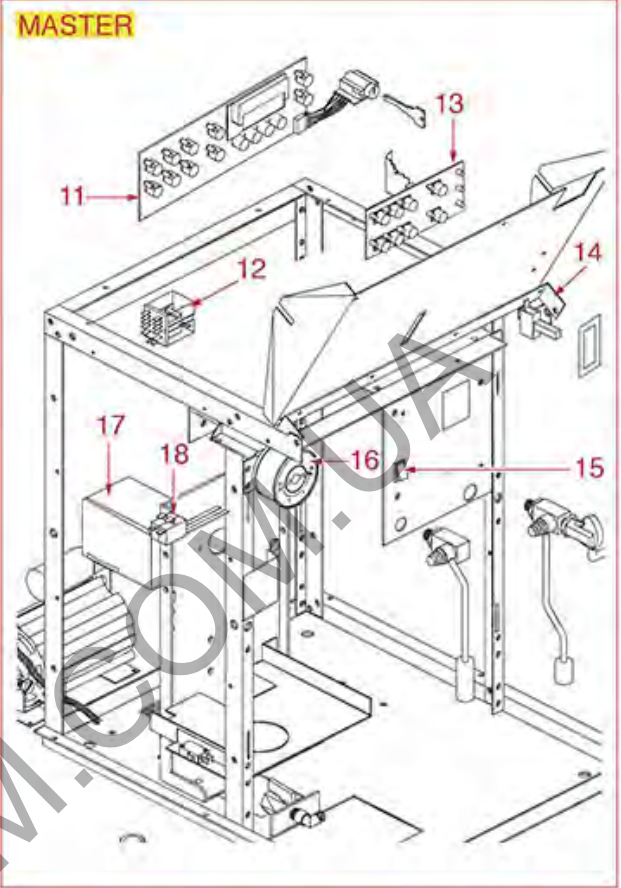
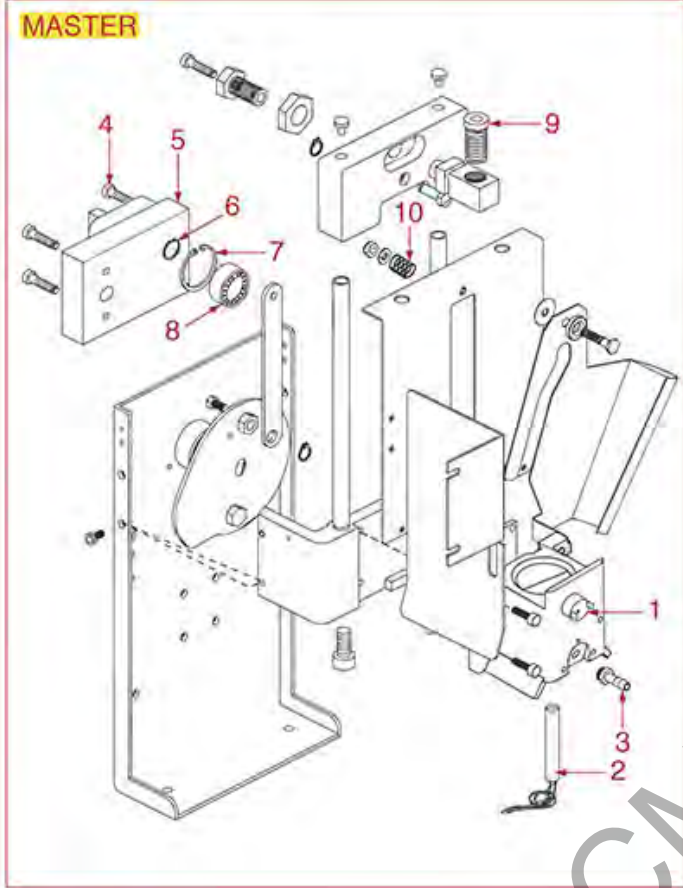


Position	LF code no.	Description
2	1348036	NUT \varnothing 3/8" WRENCH 21x6mm
3	1186626	O-RING 0114 EPDM
4	1201100	LEVEL GLASS ASSEMBLY
5	1520518	LEVEL GLASS \varnothing 12x112 mm
6	1349029	LEVEL FITTING WITH O-RING HOUSING
15	1120354	2-WAY SOLENOID VALVE PARKER 230V 50/60Hz
16	1120471	2-WAY SOLENOID VALVE CEME \varnothing 1/4" 230V
18	1449710	FLEX HOSE \varnothing 3/8" Fp x Fc 300 mm
19	1523534	BOILER VALVE \varnothing 1/4"M
19	1523537	BOILER VALVE \varnothing 1/4"M
20	1186619	COPPER FLAT GASKET \varnothing 18x14x1.5 mm
21	1348036	NUT \varnothing 3/8" WRENCH 21x6mm
22	1186626	O-RING 0114 EPDM
23	1186221	FLAT EPDM GASKET \varnothing 19x11.5x10 mm
24	1520516	LEVEL GLASS \varnothing 12x135 mm

EXPERT-CM.COM.UA



MISCELLANEOUS PREMIER-MASTER-PROGRAM-MAC





NUOVA SIMONELLI



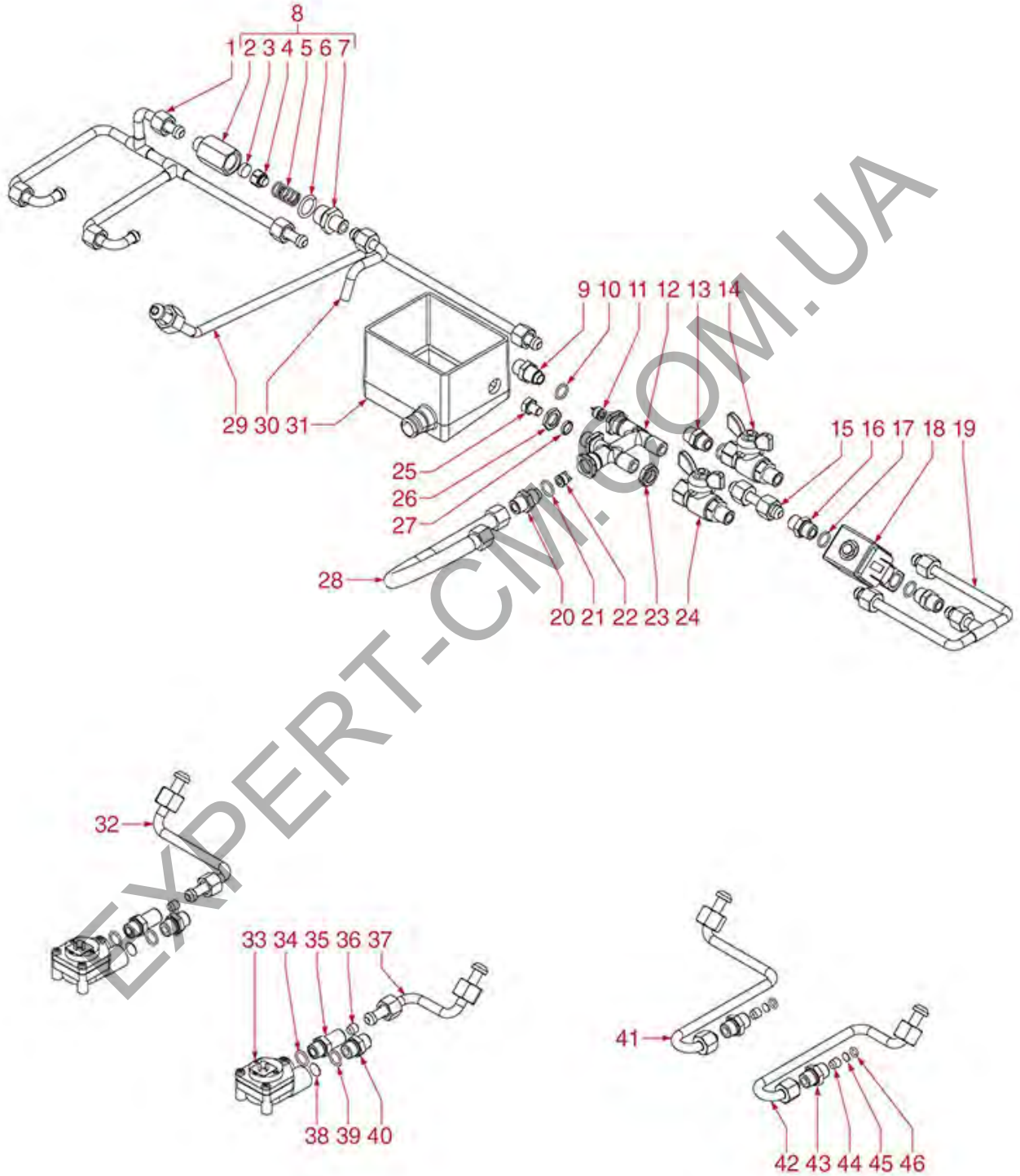
Position	LF code no.	Description
1	1443006	CONTACT THERMOSTAT 55°C 16A 250V
2	1755020	CARTRIDGE HEATING ELEMENT 14W 230V
12	3351004	POWER RELAY FINDER 56.32.8.230.0040
16	1245503	BOILER-PUMP PRESSURE GAUGE ø 60 mm
17	1320531	PRESSURE SWITCH P302/6 3-POLES 30A
18	1240006	MICROSWITCH 250V 16A
19	1185722	CUP WARMING GRILL
24	1241912	SELECTOR SWITCH KNOB
30	1313516	FOOT ø 48x40 mm M10

EXPERT-CM.COM.UA



HYDRAULIC COMPONENTS AURELIA-AURELIA II

AURELIA-AURELIA II





NUOVA SIMONELLI



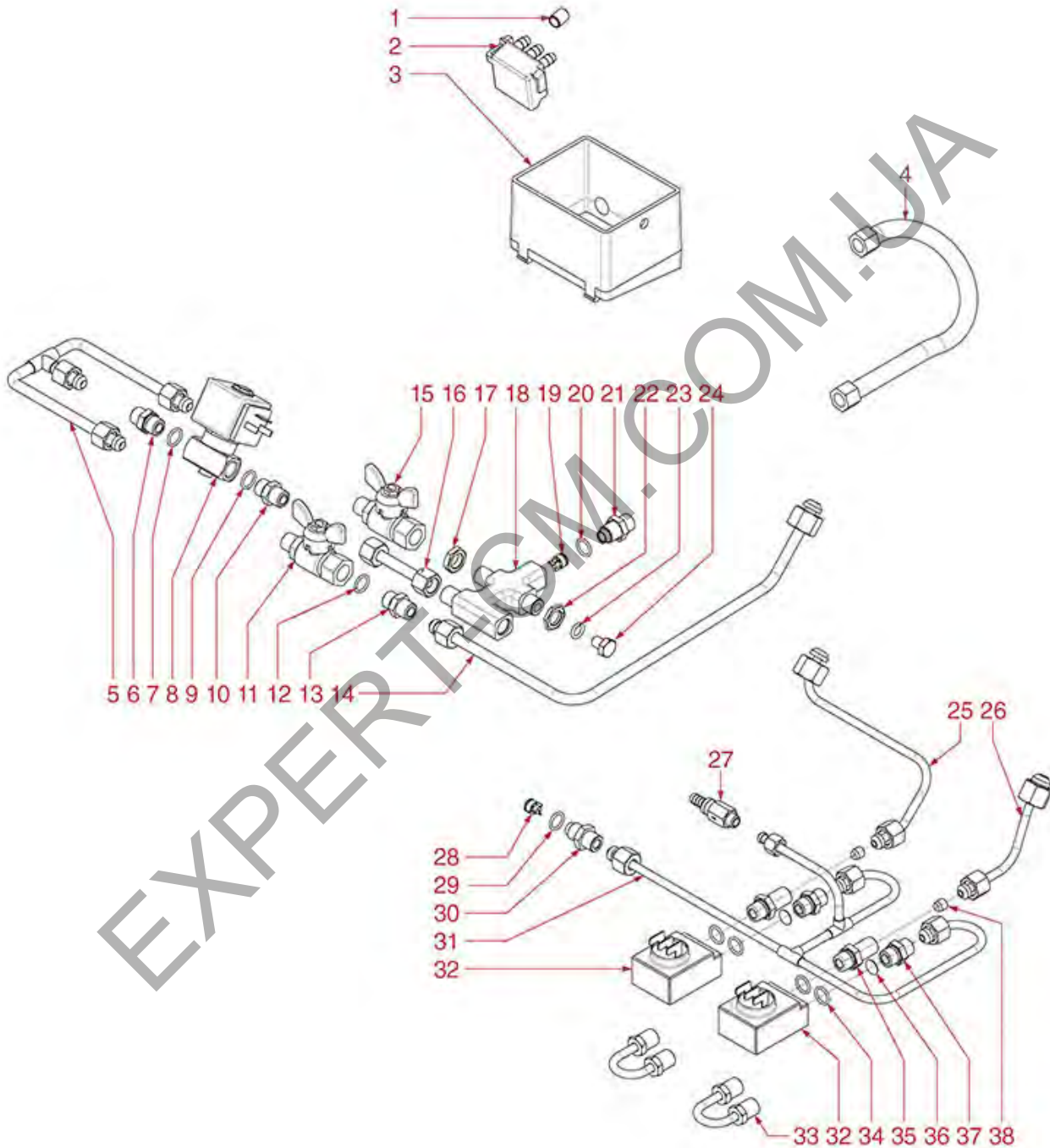
Position	LF code no.	Description
3	1786259	BLIND GASKET \varnothing 12x4 mm SILICONE
6	3243086	O-RING 0117 EPDM
7	1349030	COUPLING \varnothing 3/8"M-1/4"M SPRING HOLDER
8	1523405	EXPANSION VALVE \varnothing 1/4"M-1/4"M
10	1186626	O-RING 0114 EPDM
11	1523064	NON-RETURN VALVE
13	1349102	FITTING \varnothing 1/4"M-1/4"M
14	3526699	BALL VALVE \varnothing 1/4" MF
15	1449038	HYDRAULIC PIPE FOR DRAIN TANK
16	1349102	FITTING \varnothing 1/4"M-1/4"M
17	1186626	O-RING 0114 EPDM
18	1120310	2-WAY SOLENOID VALVE SIRAI 230V 50Hz
21	1186626	O-RING 0114 EPDM
22	1523064	NON-RETURN VALVE
24	3526699	BALL VALVE \varnothing 1/4" MF
28	5019507	HOSE FLEX \varnothing 1/4" FcxFc 320 mm
31	1527036	DRAIN TUB
33	1455067	VOLUMETRIC FLOWMETER GICAR
34	1186626	O-RING 0114 EPDM
36	1349074	JET M8x1 HOLE \varnothing 0.5 mm
36	1349075	JET M8x1 HOLE \varnothing 0.8 mm
39	1186626	O-RING 0114 EPDM
44	1349074	JET M8x1 HOLE \varnothing 0.5 mm
44	1349075	JET M8x1 HOLE \varnothing 0.8 mm
45	1160566	STAINLESS STEEL WATER FILTER \varnothing 8 mm
46	1186610	RED SILICONE O-RING R5 GASKET

EXPERT-CM.COM.UA



HYDRAULIC COMPONENTS APPIA

APPIA





NUOVA SIMONELLI



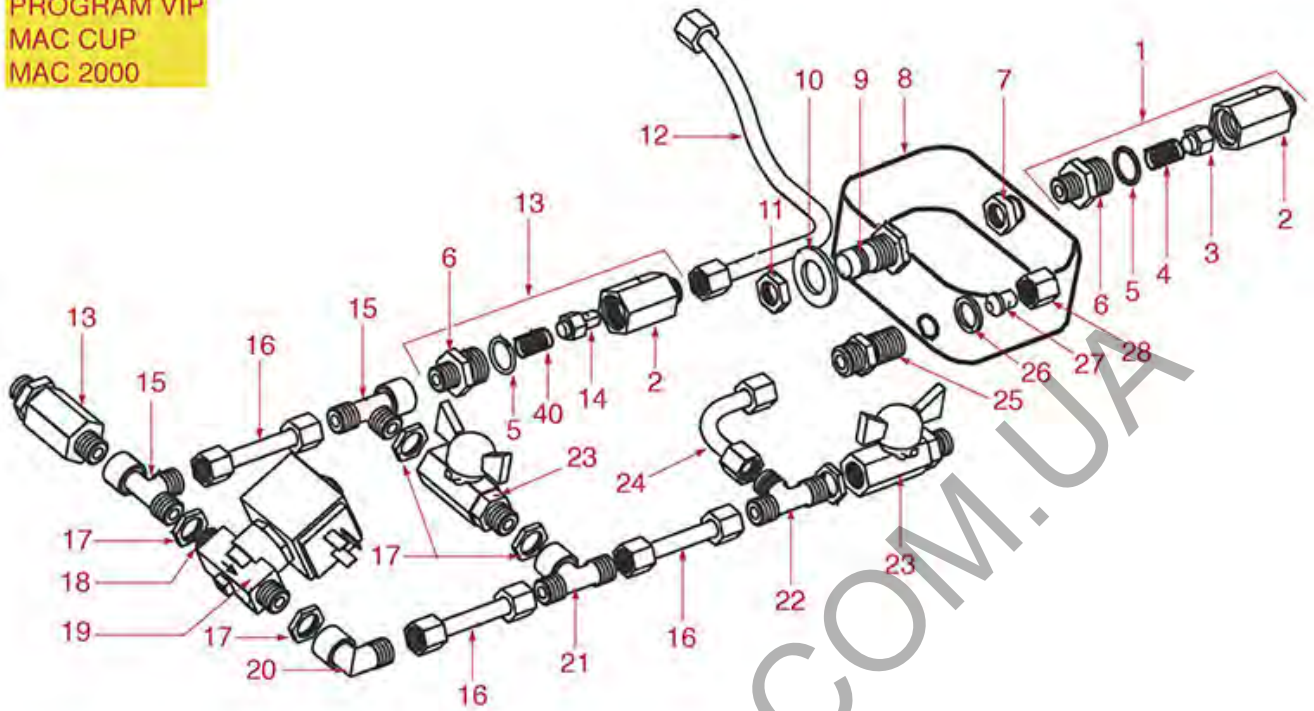
Position	LF code no.	Description
3	1527036	DRAIN TUB
4	5019507	HOSE FLEX \varnothing 1/4" FcxFc 320 mm
6	1349102	FITTING \varnothing 1/4"M-1/4"M
7	1186626	O-RING 0114 EPDM
8	1120310	2-WAY SOLENOID VALVE SIRAI 230V 50Hz
9	1186626	O-RING 0114 EPDM
10	1349102	FITTING \varnothing 1/4"M-1/4"M
11	3526699	BALL VALVE \varnothing 1/4" MF
12	1186626	O-RING 0114 EPDM
13	1349102	FITTING \varnothing 1/4"M-1/4"M
15	3526699	BALL VALVE \varnothing 1/4" MF
16	1449038	HYDRAULIC PIPE FOR DRAIN TANK
19	1523064	NON-RETURN VALVE
20	1186626	O-RING 0114 EPDM
27	5036751	EXPANSION VALVE \varnothing 1/8"M - 8 mm
28	1523064	NON-RETURN VALVE
29	1186626	O-RING 0114 EPDM
32	1455067	VOLUMETRIC FLOWMETER GICAR
34	1186626	O-RING 0114 EPDM
37	1349102	FITTING \varnothing 1/4"M-1/4"M
38	1349075	JET M8x1 HOLE \varnothing 0.8 mm

EXPERT-CM.COM.UA

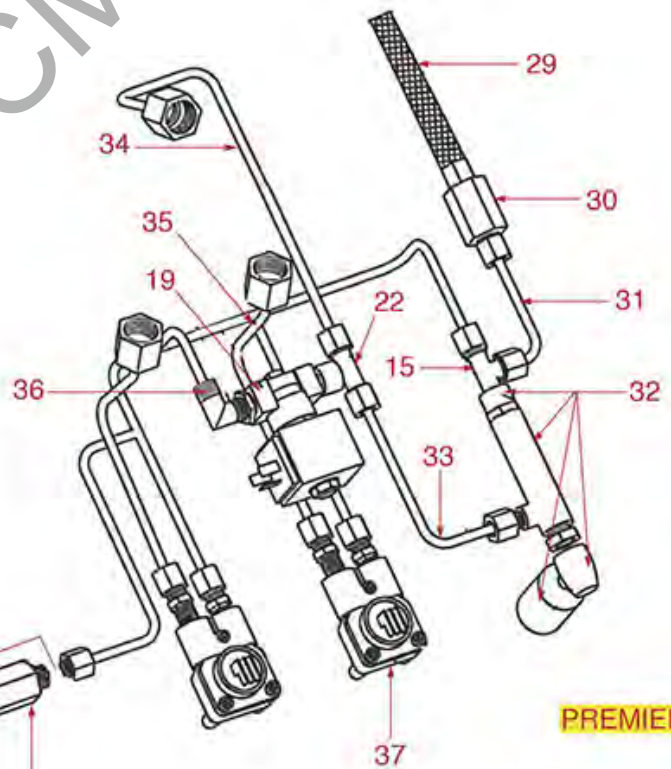


HYDRAULIC COMPONENTS PROGRAM-PREMIER-MAC

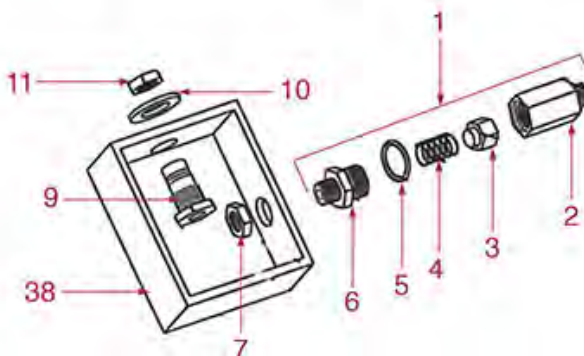
PROGRAM VIP
MAC CUP
MAC 2000



MAC CUP



PREMIER





NUOVA SIMONELLI



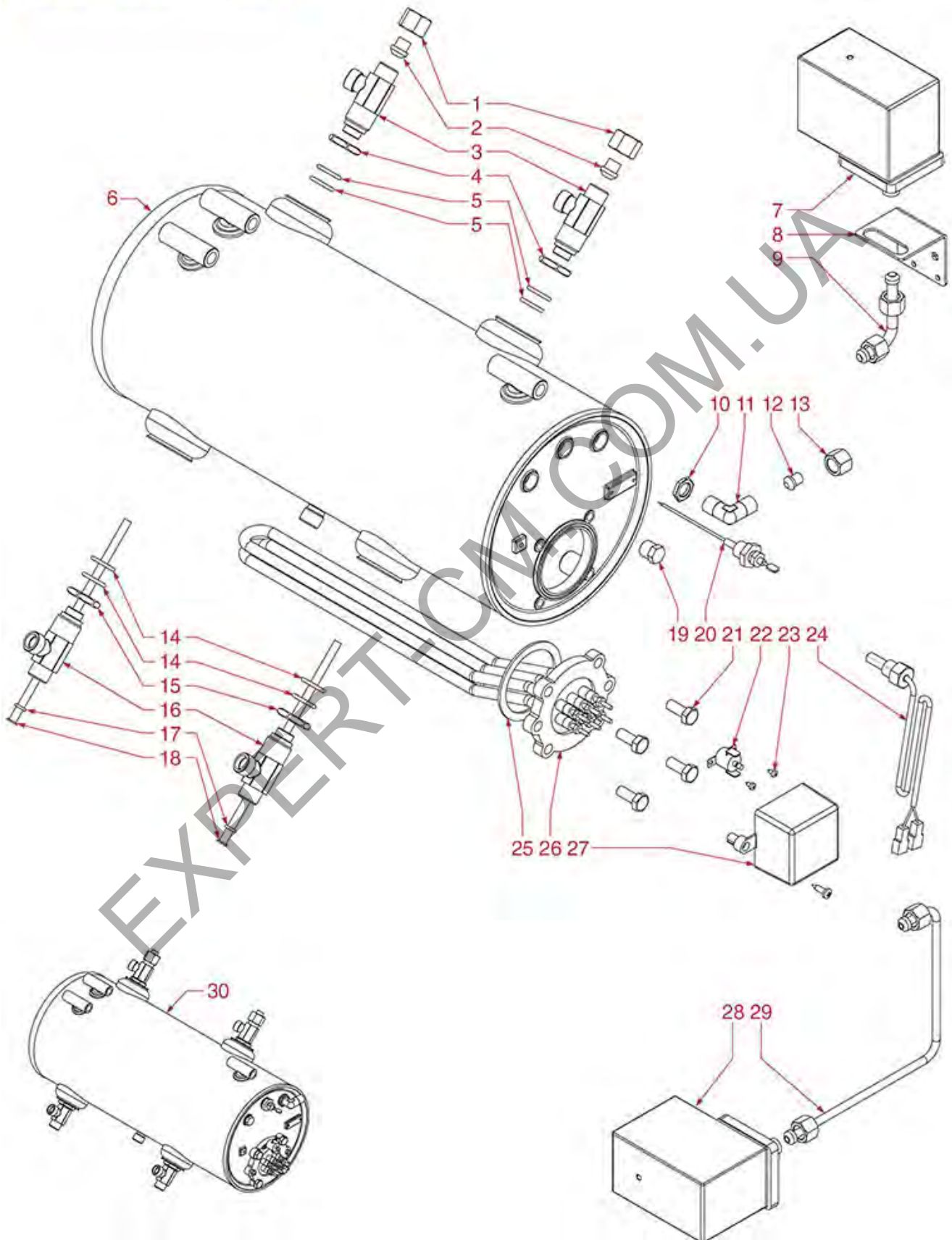
Position	LF code no.	Description
1	1523405	EXPANSION VALVE \varnothing 1/4"M-1/4"M
5	3243086	O-RING 0117 EPDM
6	1349030	COUPLING \varnothing 3/8"M-1/4"M SPRING HOLDER
8	1527526	DRAIN TUB
11	1348036	NUT \varnothing 3/8" WRENCH 21x6mm
13	1523007	NON-RETURN VALVE \varnothing 1/4"M-1/4"M
16	1449038	HYDRAULIC PIPE FOR DRAIN TANK
19	1120310	2-WAY SOLENOID VALVE SIRAI 230V 50Hz
23	3526699	BALL VALVE \varnothing 1/4" MF
26	1186619	COPPER FLAT GASKET \varnothing 18x14x1.5 mm
37	1455068	VOLUMETRIC FLOWMETER GICAR
38	1527526	DRAIN TUB
39	1527526	DRAIN TUB

EXPERT-CM.COM.UA



BOILER AURELIA-AURELIA II-APPIA

AURELIA-AURELIA II-APPIA





NUOVA SIMONELLI

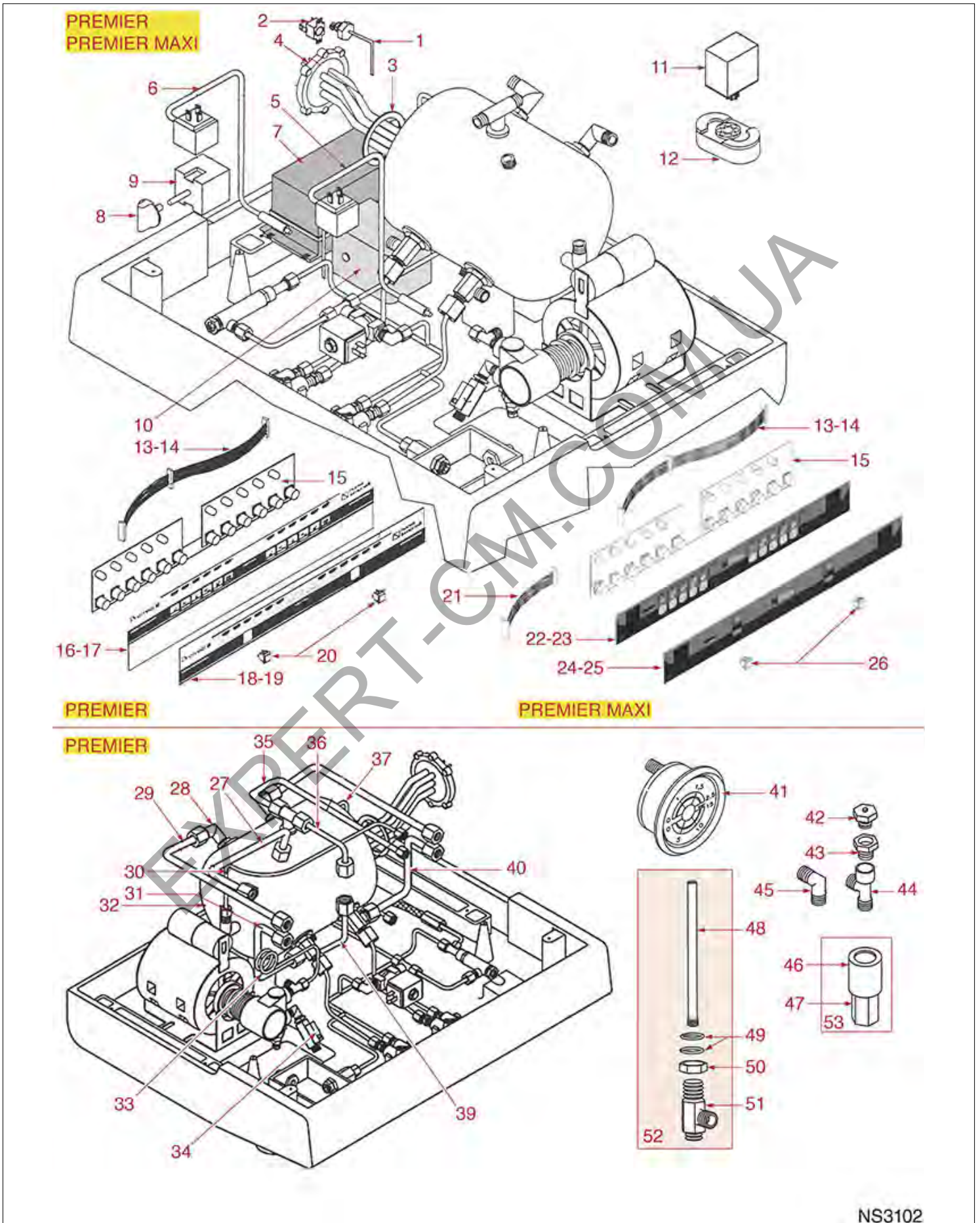


Position	LF code no.	Description
3	1349034	BOILER COUPLING
4	1349504	NUT \varnothing 1/2" KEY 25x6 mm
5	3243086	O-RING 0117 EPDM
7	1320531	PRESSURE SWITCH P302/6 3-POLES 30A
14	3243086	O-RING 0117 EPDM
15	1349504	NUT \varnothing 1/2" KEY 25x6 mm
16	1349034	BOILER COUPLING
17	1186610	RED SILICONE O-RING R5 GASKET
19	1439020	CAP \varnothing 1/4"M FOR BREW GROUP
20	1341013	LEVEL PROBE \varnothing 1/4"M-130 mm
21	3528088	HEXAGON HEAD SCREW M8x20
22	1444535	CONTACT THERMOSTAT 135°C 16A 250V
24	1397001	TEMPERATURE PROBE NTC
25	1186638	FLAT CARBO GASKET \varnothing 67x55x3 mm
26	1755141	HEATING ELEMENT 4500W 220/380V
26	1755142	HEATING ELEMENT 3000W 220/380V
26	1755143	HEATING ELEMENT 5000W 220V
28	1320531	PRESSURE SWITCH P302/6 3-POLES 30A

EXPERT-CM.COM.UA



BOILER AND PUSH BUTTONS PREMIER



NS3102

Positions without LF code no.: upon request



NUOVA SIMONELLI

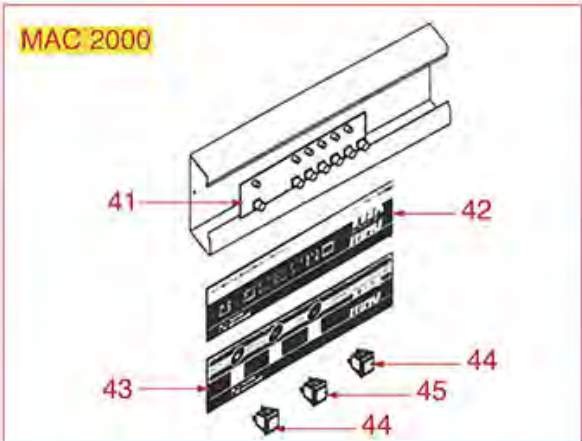
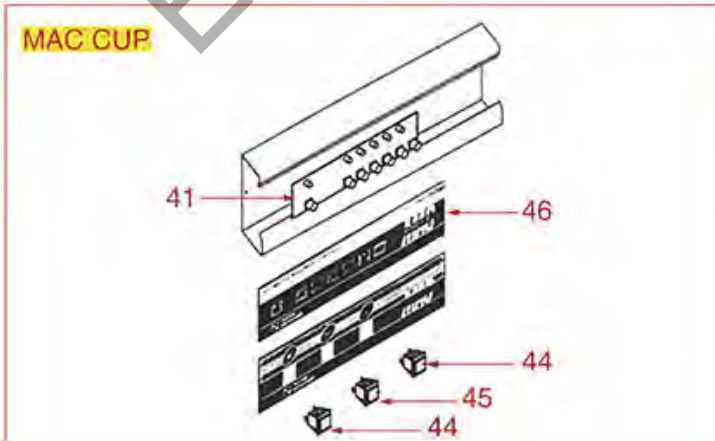
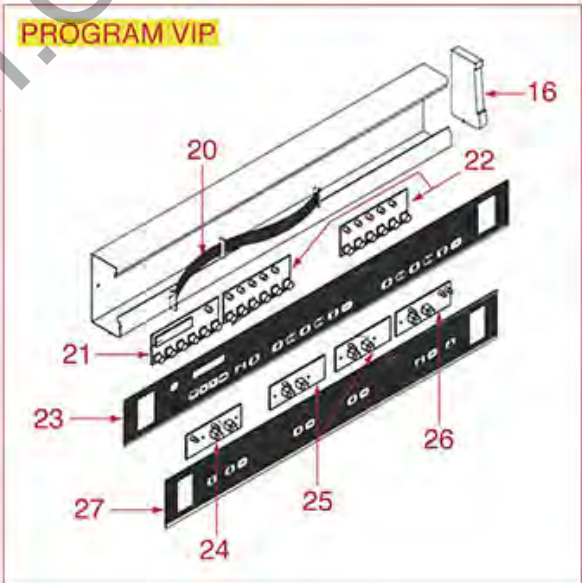
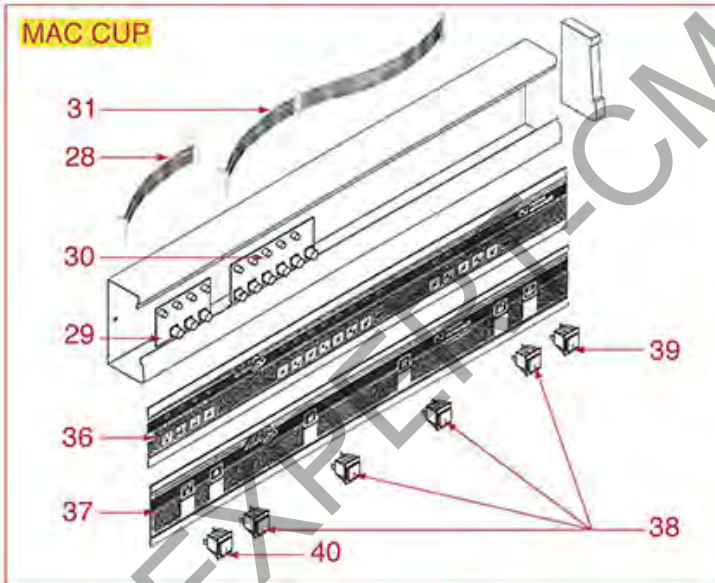
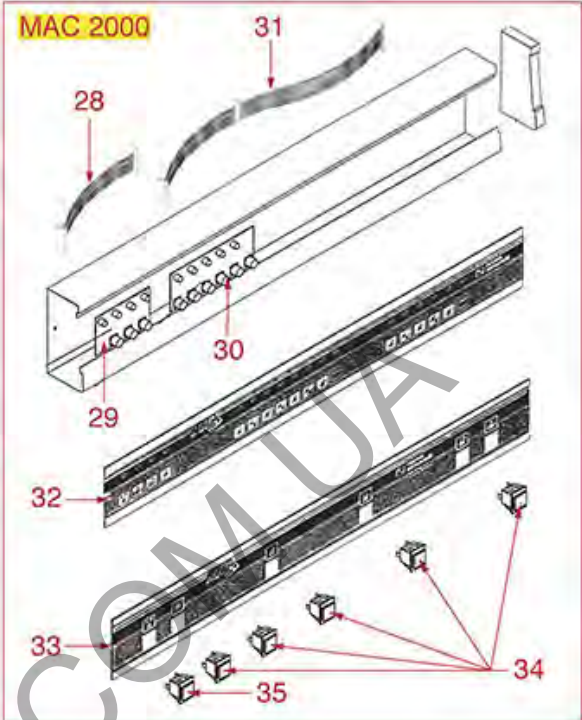
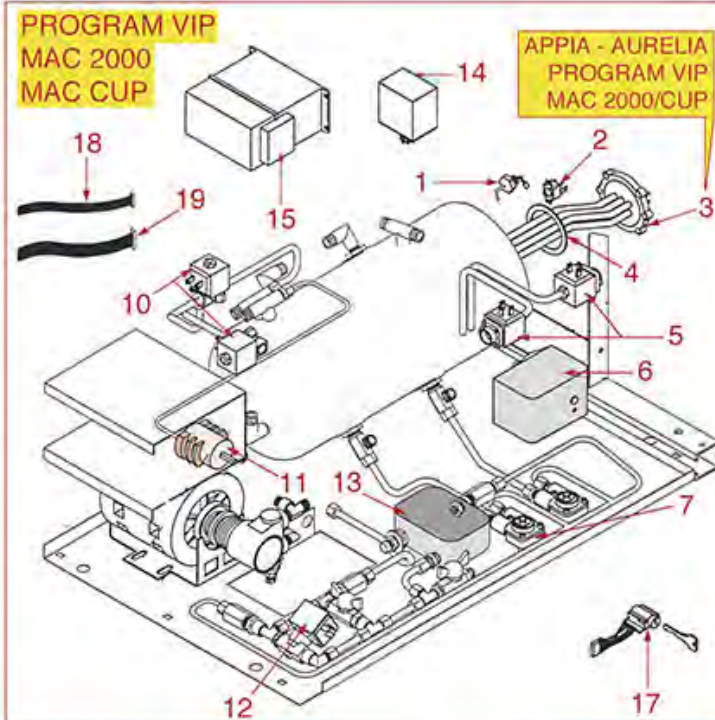


Position	LF code no.	Description
1	3341011	LEVEL PROBE \varnothing 1/4"M-140 mm
2	1444535	CONTACT THERMOSTAT 135°C 16A 250V
3	1186409	FLAT PTFE GASKET \varnothing 68x55x3 mm
3	1186638	FLAT CARBO GASKET \varnothing 67x55x3 mm
4	1755140	HEATING ELEMENT 2700W 220V
4	1755141	HEATING ELEMENT 4500W 220/380V
8	1241912	SELECTOR SWITCH KNOB
9	1319045	SELECTOR SWITCH 0-1 POSITIONS 32A 600V
10	1320531	PRESSURE SWITCH P302/6 3-POLES 30A
10	1320533	MEMBRANE KIT FOR PRESSURE SWITCH
10	1320541	PRESSURE SWITCH PARKER
11	1341305	LEVEL REGULATOR RL30/1E/2C/8 230/240V
12	3351154	BASE OCTAL ES8 10A 400V
15	1390101	CIRCUIT BOARD 6 BUTTONS
20	3319420	BIPOLAR SWITCH RED 16A 250V
26	3319019	BIPOLAR SWITCH RED 16A 250V
34	3526704	BALLCOCK VALVE \varnothing 3/8"MF
41	1245503	BOILER-PUMP PRESSURE GAUGE \varnothing 60 mm
42	1523534	BOILER VALVE \varnothing 1/4"M
42	1523537	BOILER VALVE \varnothing 1/4"M
48	1449037	INJECTOR PIPE M8
49	3243086	O-RING 0117 EPDM
50	1349504	NUT \varnothing 1/2" KEY 25x6 mm
51	1349034	BOILER COUPLING
53	1523572	BOILER VALVE \varnothing 3/8"M - 1.8 bar CE/PED

EXPERT-CM.COM.UA



BOILER AND PUSH BUTTONS PROGRAM-MAC





NUOVA SIMONELLI



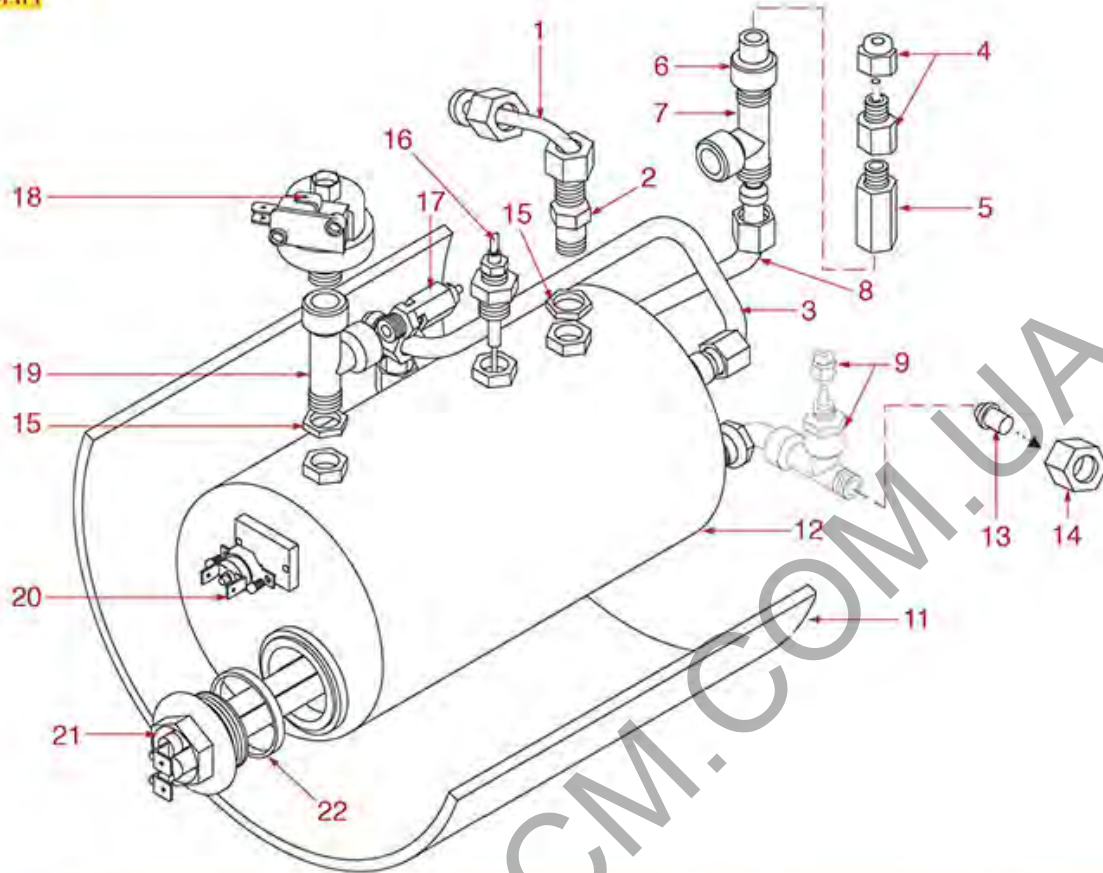
Position	LF code no.	Description
1	3341011	LEVEL PROBE \varnothing 1/4"M-140 mm
2	1444535	CONTACT THERMOSTAT 135°C 16A 250V
3	1755078	HEATING ELEMENT 1800W 230V
3	1755142	HEATING ELEMENT 3000W 220/380V
3	1755143	HEATING ELEMENT 5000W 220V
3	1755666	HEATING ELEMENT 1500W 110V
4	1186409	FLAT PTFE GASKET \varnothing 68x55x3 mm
4	1186638	FLAT CARBO GASKET \varnothing 67x55x3 mm
5	1120330	3-WAY SOLENOID VALVE LUCIFER 240V 50Hz
5	1120335	3-WAY SOLENOID VALVE PARKER 230V 50/60Hz
6	1320531	PRESSURE SWITCH P302/6 3-POLES 30A
6	1320533	MEMBRANE KIT FOR PRESSURE SWITCH
6	1320541	PRESSURE SWITCH PARKER
7	1455068	VOLUMETRIC FLOWMETER GICAR
10	1120354	2-WAY SOLENOID VALVE PARKER 230V 50/60Hz
11	1057024	SELECTOR SWITCH 0-1 POSITIONS 16A 500V
11	1319045	SELECTOR SWITCH 0-1 POSITIONS 32A 600V
12	1120310	2-WAY SOLENOID VALVE SIRAI 230V 50Hz
13	1527526	DRAIN TUB
14	1341305	LEVEL REGULATOR RL30/1E/2C/8 230/240V
22	1390101	CIRCUIT BOARD 6 BUTTONS
34	3319019	BIPOLAR SWITCH RED 16A 250V
35	3221013	INDICATOR LAMP RED 230V
38	3319420	BIPOLAR SWITCH RED 16A 250V
40	1221202	RED INDICATOR LAMP 250V
44	3319420	BIPOLAR SWITCH RED 16A 250V
45	1221202	RED INDICATOR LAMP 250V

EXPERT-CM.COM.UA

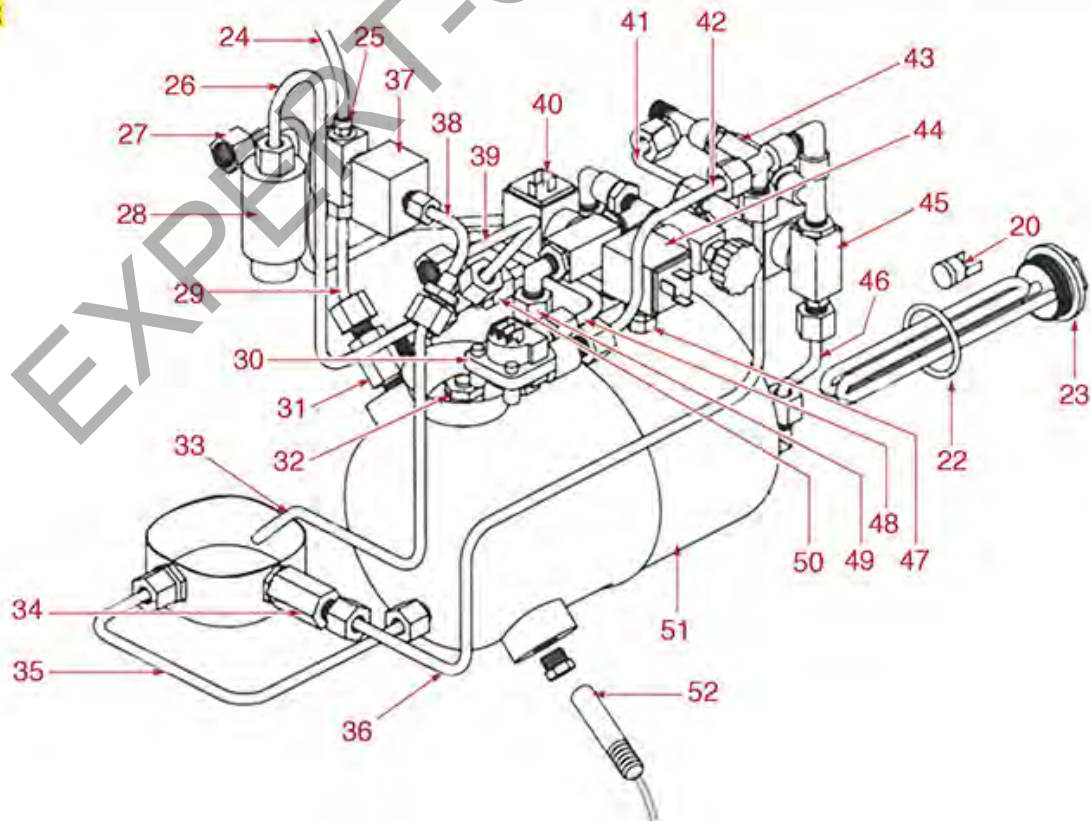


BOILER OSCAR-MASTER

OSCAR



MASTER





NUOVA SIMONELLI



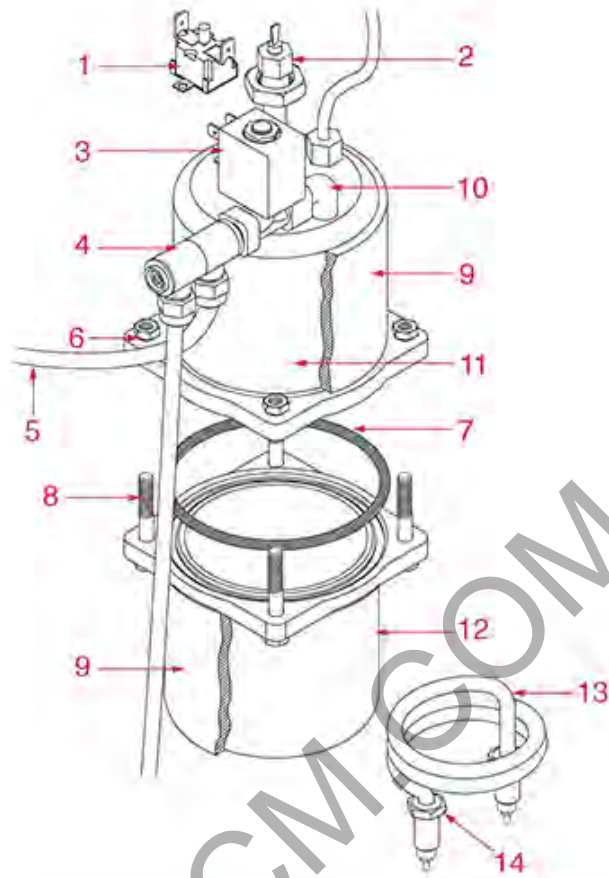
Position	LF code no.	Description
2	1349102	FITTING \varnothing 1/4"M-1/4"M
18	1320001	PRESSURE SWITCH 1,4 BAR 16A 250V 1/4"
20	1444535	CONTACT THERMOSTAT 135°C 16A 250V
21	1755033	HEATING ELEMENT 1200W 230V
21	1755667	HEATING ELEMENT 1200W 110V
22	1186403	GREEN VITON O-RING 04137
23	1755029	HEATING ELEMENT 1800W 230V
23	1755030	HEATING ELEMENT 2300W 230V
28	1523572	BOILER VALVE \varnothing 3/8"M - 1.8 bar CE/PED
30	1455068	VOLUMETRIC FLOWMETER GICAR
32	1523534	BOILER VALVE \varnothing 1/4"M
32	1523537	BOILER VALVE \varnothing 1/4"M
34	1523405	EXPANSION VALVE \varnothing 1/4"M-1/4"M
37	1120321	3-WAY SOLENOID VALVE PARKER 230V 50/60Hz
40	1120310	2-WAY SOLENOID VALVE SIRAI 230V 50Hz
43	1523007	NON-RETURN VALVE \varnothing 1/4"M-1/4"M
44	1120471	2-WAY SOLENOID VALVE CEME \varnothing 1/4" 230V
45	1120310	2-WAY SOLENOID VALVE SIRAI 230V 50Hz

EXPERT-CM.COM.UA

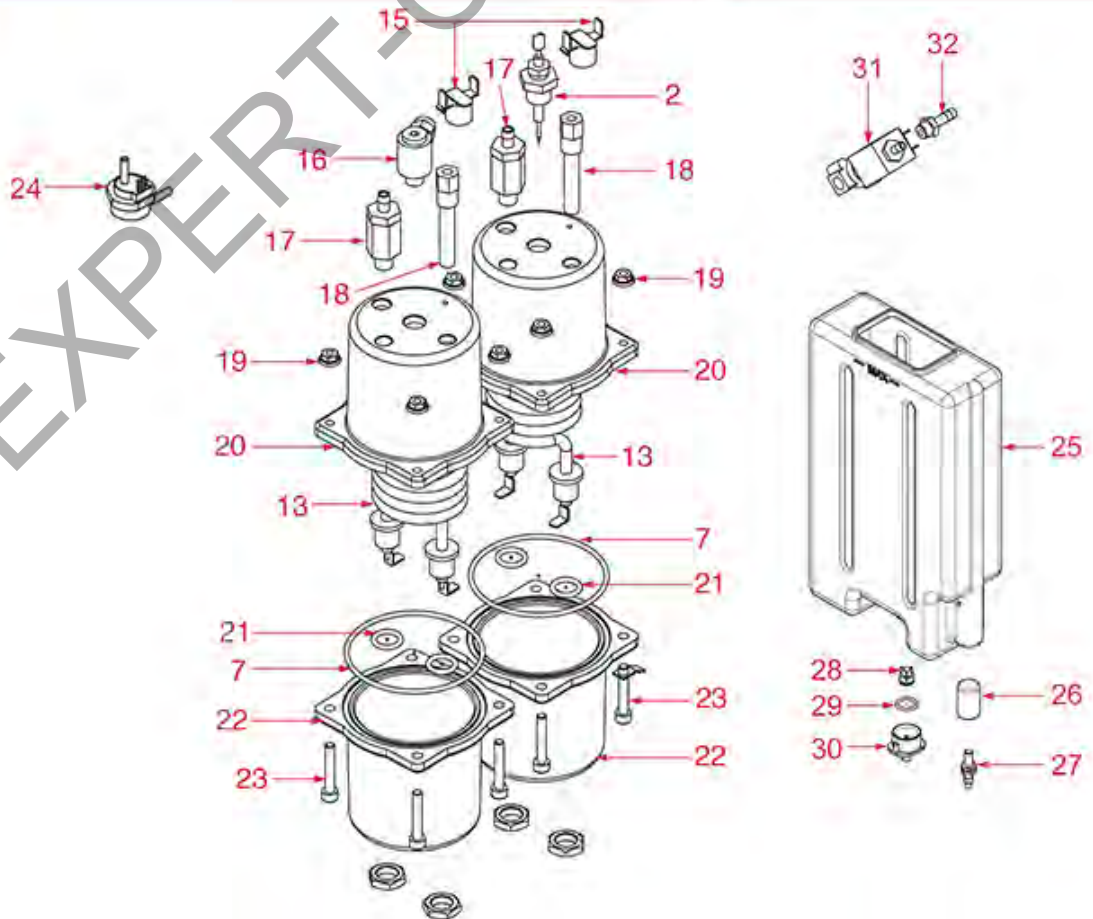


BOILER JAZZ-MICROBAR

JAZZ



MICROBAR





NUOVA SIMONELLI



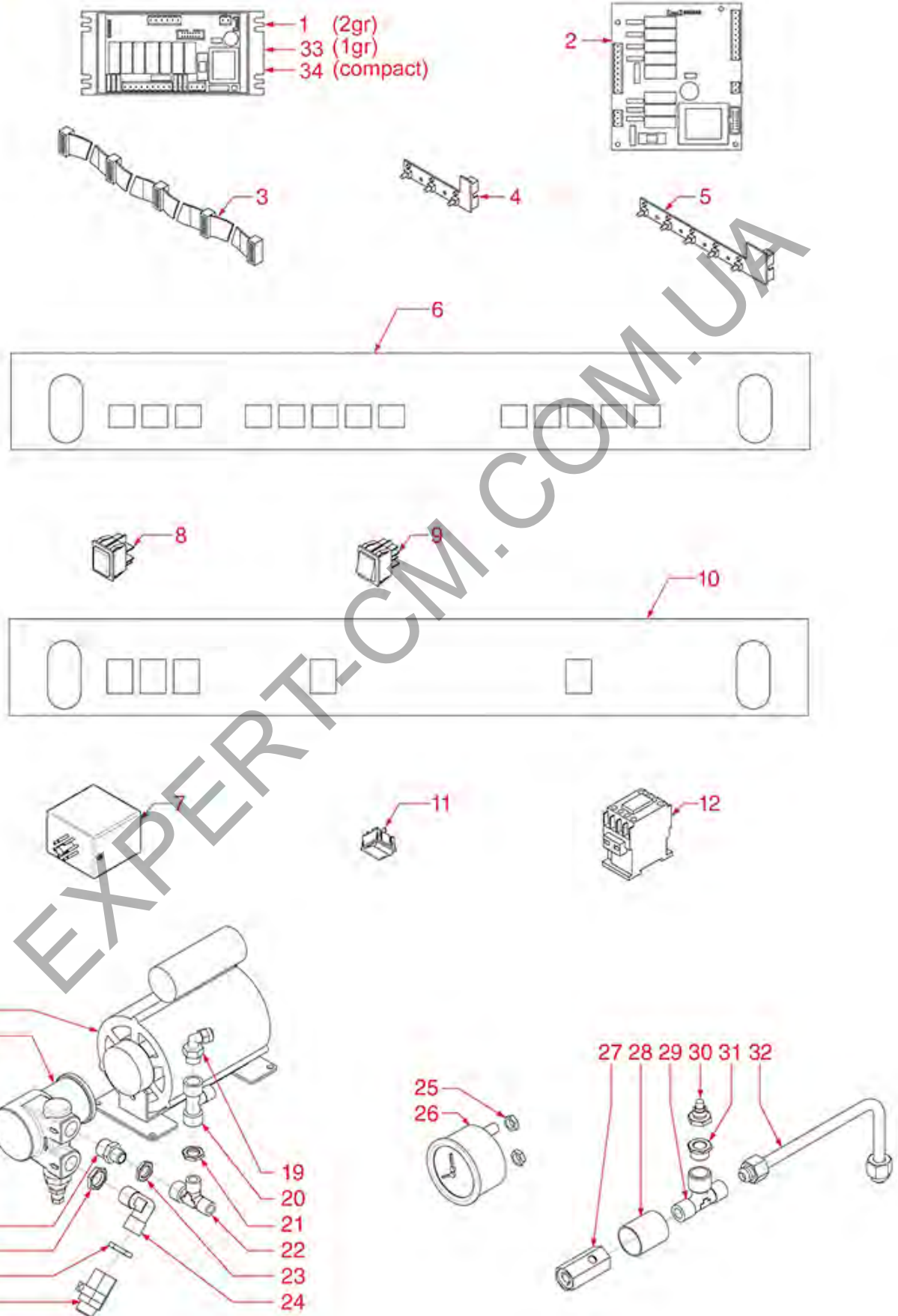
Position	LF code no.	Description
1	1444535	CONTACT THERMOSTAT 135°C 16A 250V
2	3341011	LEVEL PROBE \varnothing 1/4"M-140 mm
3	1120355	2-WAY SOLENOID VALVE PARKER 230V 50/60Hz
7	1186405	RED SILICONE O RING 03281
13	1755023	HEATING ELEMENT 1000W 230V
14	1186404	PTFE FLAT GASKET \varnothing 18x13x2 mm
15	1443055	CONTACT THERMOSTAT 125°C 16A 250V
17	1523065	EXPANSION VALVE \varnothing 1/8"M-7 mm
18	1397024	TEMPERATURE PROBE
21	1186805	O-RING 0115 EPDM
23	1528511	HEXAGON HEAD SCREW M5x25
24	5032820	VOLUMETRIC FLOWMETER GICAR NSF
25	1080169	WATER CONTAINER 5 L WITH FLOAT
31	5020858	SOLENOID VALVE CEME 3 WAYS \varnothing 1/8" 230V
32	1349653	HOSE-END FITTING \varnothing 1/8"M \varnothing 6 NICKEL

EXPERT-CM.COM.UA



ELECTRICAL COMPONENTS AND MOTOR APPIA

APPIA



Positions without LF code no.: upon request



NUOVA SIMONELLI



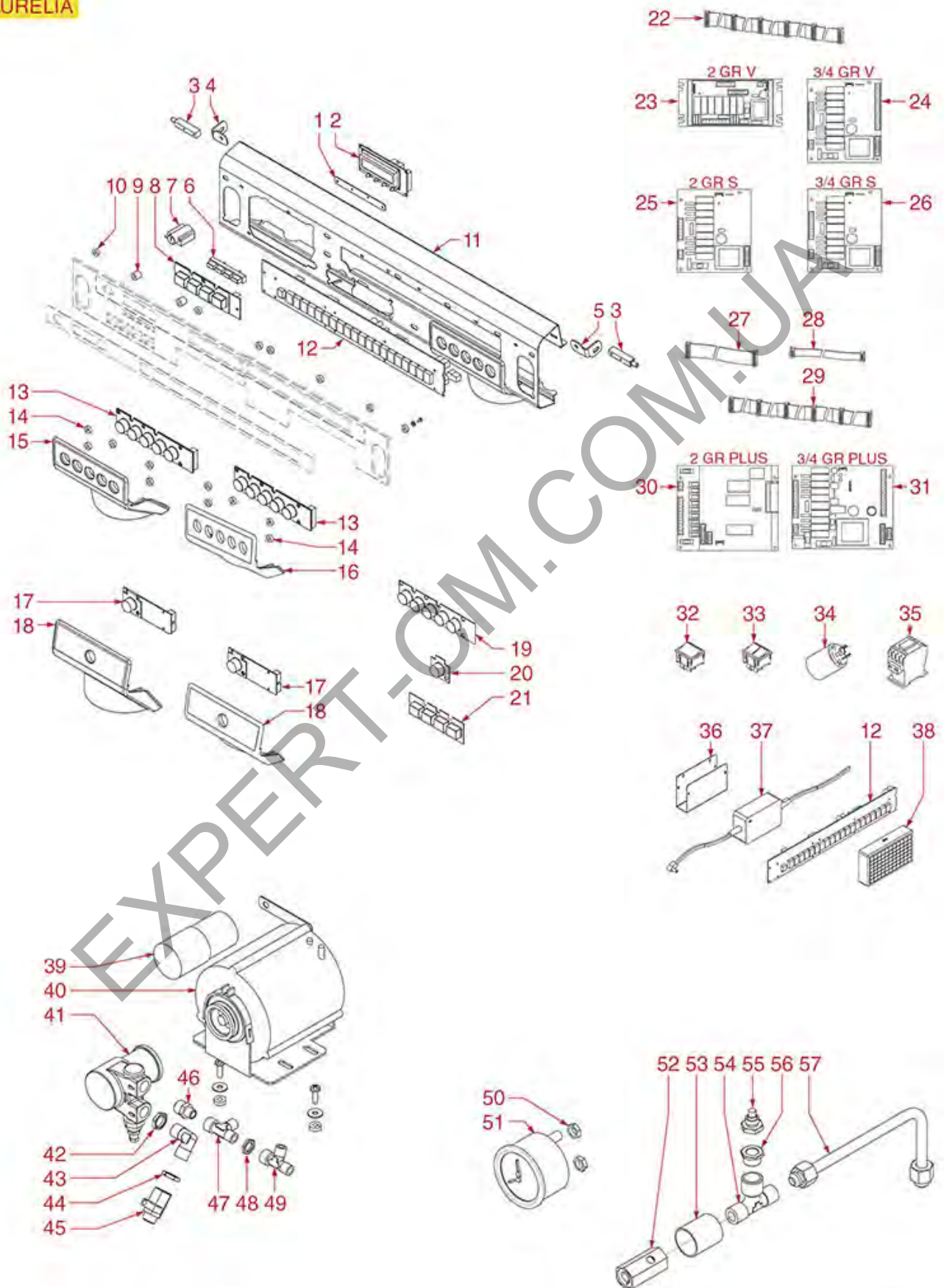
Position	LF code no.	Description
1	5032628	DOSER CONTROL BOX 2 GROUPS "V"
2	5054990	3-GROUPS ELECTRONIC CIRCUIT BOARD CPU
3	5052176	CABLE FLAT 14 POLES 1250 mm
4	5032626	PUSH-BUTTON PANEL 3 BUTTONS SERVICES
5	5032627	PUSH-BUTTON PANEL 5 BUTTONS DELIVERY
6	5047809	CONTROL PANEL GRAY
7	1341305	LEVEL REGULATOR RL30/1E/2C/8 230/240V
8	3221013	INDICATOR LAMP RED 230V
9	3319019	BIPOLAR SWITCH RED 16A 250V
11	1319392	BLACK BIPOLAR SWITCH 10A 250V
12	3446561	CONTACTOR LOVATO BF0910A
13	1240065	MOTOR RPM WITH CLAMP 120W
14	1330001	ROTARY VANE PUMP ROTOFLOW \varnothing 3/8" NPT
15	1349112	FITTING \varnothing 1/4"M-3/8"M
18	3526704	BALLCOCK VALVE \varnothing 3/8"MF
19	3349317	ELBOW FITTING 1/4"M \varnothing 6/4 NICKEL
20	1349702	"T" FITTING \varnothing 1/4"F-1/4"F-1/4"M NICKEL-P
22	1349244	"T" FITTING \varnothing 1/4"M-1/4"M-1/4"F
24	1349706	L-FITTING \varnothing 3/8"M-3/8"M NICKEL-PLATED
25	1348035	NUT \varnothing 1/8"
26	1245503	BOILER-PUMP PRESSURE GAUGE \varnothing 60 mm
27	1523572	BOILER VALVE \varnothing 3/8"M - 1.8 bar CE/PED
29	1349240	"T" FITTING \varnothing 3/8"M-3/8"F-3/8"M
30	1523534	BOILER VALVE \varnothing 1/4"M
31	1349132	FITTING \varnothing 3/8"M-1/4"F
33	5029454	CPU CIRCUIT BOARD 1 GROUP
34	5053783	DOSING CONTROL BOX 2 GROUPS 230V

EXPERT-CM.COM.UA



ELECTRICAL COMPONENTS AND MOTOR AURELIA

AURELIA



NS4102

Positions without LF code no.: upon request



NUOVA SIMONELLI



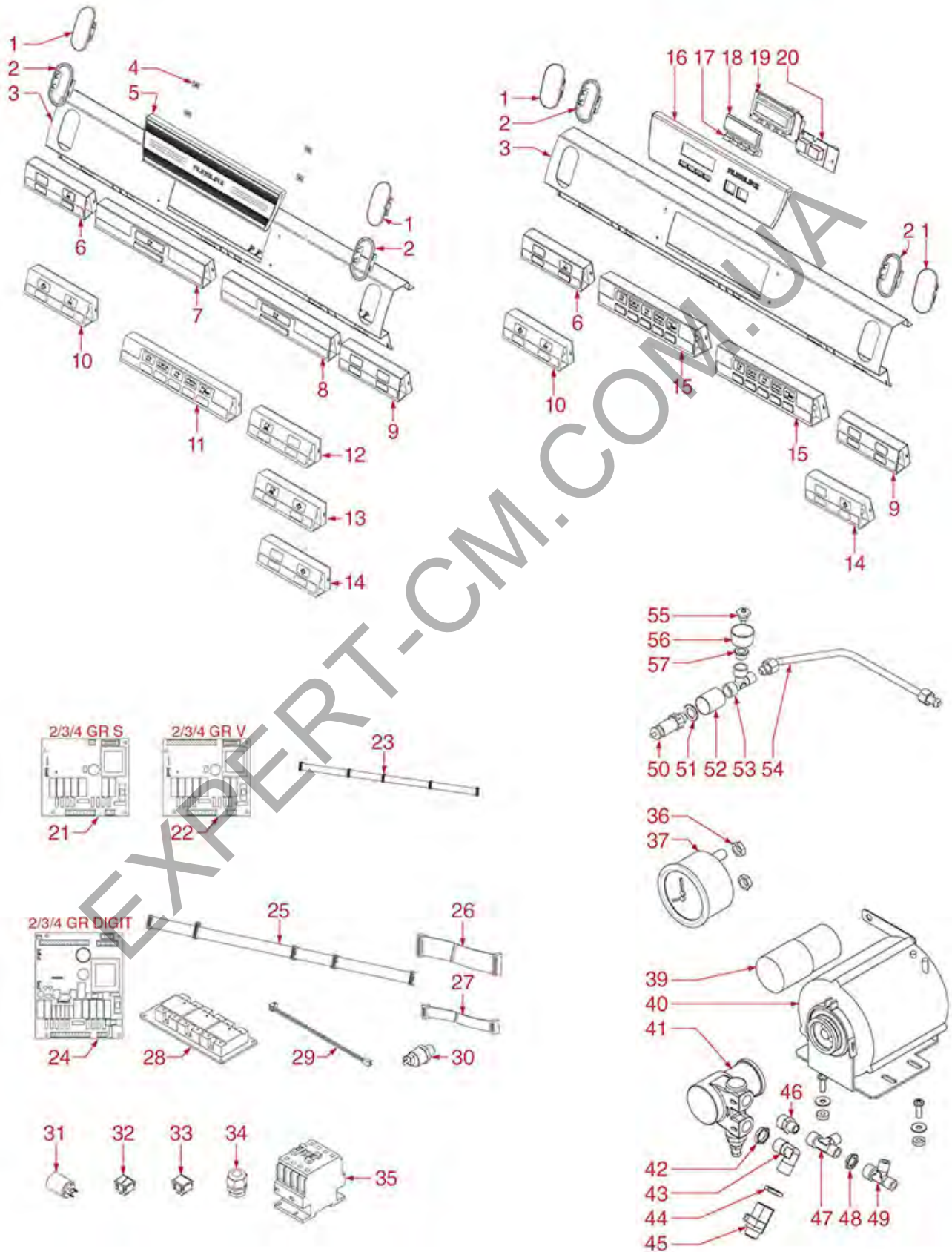
Position	LF code no.	Description
13	5031554	PUSH-BUTTON PANEL 5 BUTTONS
19	5041947	PUSH-BUTTON PANEL 5 BUTTONS
20	5048198	BUTTON FOR PUSH-BUTTON PANEL
23	5054991	DOSER CONTROL BOX 2 GROUPS "V"
24	5049316	ELECTRONIC BOARD CPU 3-4 GROUPS
31	1390099	CPU ELECTRONIC CIRCUIT BOARD 3/4GR
32	1319392	BLACK BIPOLAR SWITCH 10A 250V
35	3446561	CONTACTOR LOVATO BF0910A
40	1240282	MOTOR CLAMP RPM 165W
41	1330001	ROTARY VANE PUMP ROTOFLOW \varnothing 3/8" NPT
41	1330002	ROTARY VANE PUMP ROTOFLOW \varnothing 3/8" NPT
43	1349706	L-FITTING \varnothing 3/8"M-3/8"M NICKEL-PLATED
45	3526704	BALLCOCK VALVE \varnothing 3/8"MF
46	1349112	FITTING \varnothing 1/4"M-3/8"M
47	1349244	"T" FITTING \varnothing 1/4"M-1/4"M-1/4"F
49	1349244	"T" FITTING \varnothing 1/4"M-1/4"M-1/4"F
50	1348035	NUT \varnothing 1/8"
51	1245503	BOILER-PUMP PRESSURE GAUGE \varnothing 60 mm
52	1523572	BOILER VALVE \varnothing 3/8"M - 1.8 bar CE/PED
54	1349240	"T" FITTING \varnothing 3/8"M-3/8"F-3/8"M
55	1523534	BOILER VALVE \varnothing 1/4"M
56	1349132	FITTING \varnothing 3/8"M-1/4"F

EXPERT-CM.COM.UA



ELECTRICAL PARTS AND MOTOR AURELIA II

AURELIA II



NS4202



NUOVA SIMONELLI



Position	LF code no.	Description
33	1319392	BLACK BIPOLAR SWITCH 10A 250V
35	3446561	CONTACTOR LOVATO BF0910A
36	1348035	NUT \varnothing 1/8"
40	1240282	MOTOR CLAMP RPM 165W
41	1330001	ROTARY VANE PUMP ROTOFLOW \varnothing 3/8" NPT
41	1330002	ROTARY VANE PUMP ROTOFLOW \varnothing 3/8" NPT
43	1349706	L-FITTING \varnothing 3/8"M-3/8"M NICKEL-PLATED
45	3526704	BALLCOCK VALVE \varnothing 3/8"MF
46	1349112	FITTING \varnothing 1/4"M-3/8"M
47	1349244	"T" FITTING \varnothing 1/4"M-1/4"M-1/4"F
49	1349244	"T" FITTING \varnothing 1/4"M-1/4"M-1/4"F
50	1523572	BOILER VALVE \varnothing 3/8"M - 1.8 bar CE/PED
53	1349241	T-FITTING \varnothing 3/8"F-3/8"F-3/8"M
55	1523534	BOILER VALVE \varnothing 1/4"M
57	1349132	FITTING \varnothing 3/8"M-1/4"F

EXPERT-CM.COM.UA