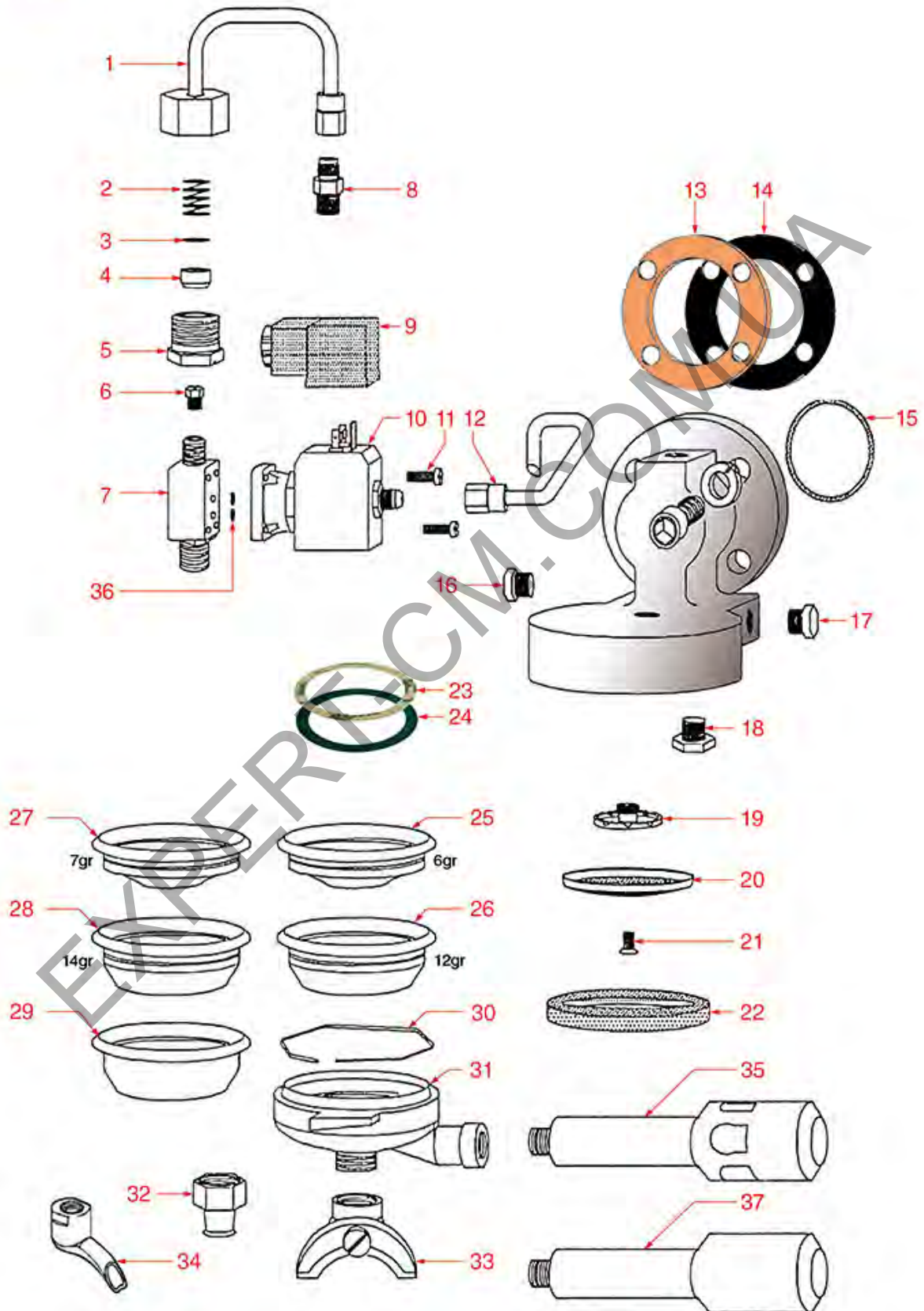




## BREW GROUP OLD TYPE

OLD TYPE





# BRUGNETTI-AURORA

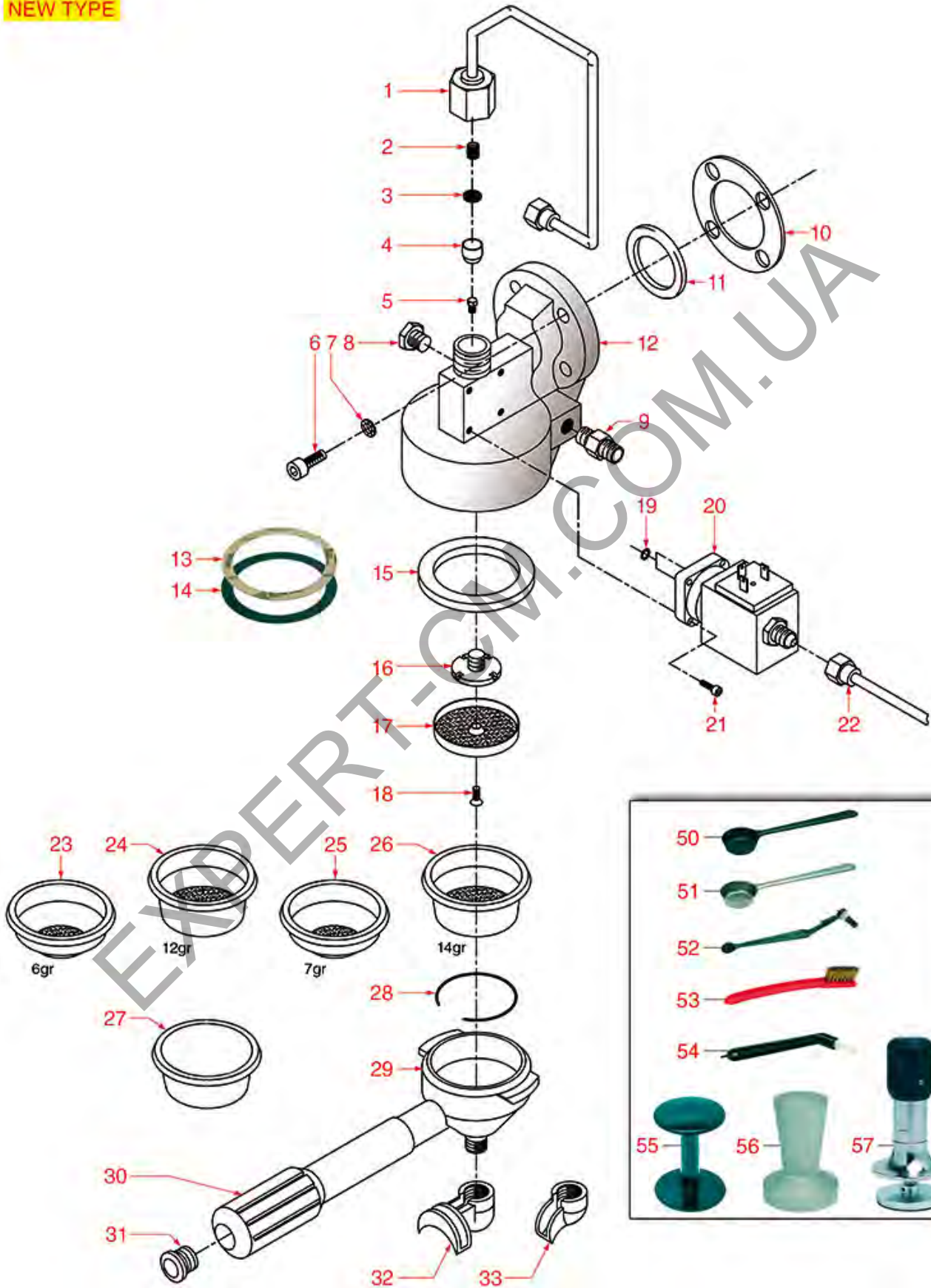


| Position | LF code no. | Description                              |
|----------|-------------|--|
| 3        | 1160516     | WATER FILTER ø 11 mm                     |
| 4        | 1160515     | FILTER HOLDER BUSHING                    |
| 6        | 1501541     | NOZZLE M6x1 HOLE ø 0,8 mm                |
| 9        | 3120034     | CONNECTOR LARGE F-FITTING                |
| 10       | 1120101     | 3-WAY SOLENOID VALVE PARKER 115V 50/60Hz |
| 10       | 1120102     | 3-WAY SOLENOID VALVE LUCIFER 115V 60Hz   |
| 10       | 1120330     | 3-WAY SOLENOID VALVE LUCIFER 240V 50Hz   |
| 10       | 1120335     | 3-WAY SOLENOID VALVE PARKER 230V 50/60Hz |
| 11       | 1455034     | CYLINDER HEAD SCREW M4x10                |
| 13       | 1186015     | COFFEE GROUP GASKET ø 78x42x2 mm         |
| 14       | 1186098     | COFFEE GROUP GASKET ø 78x43x2 mm         |
| 15       | 1186466     | O-RING 03181 EPDM                        |
| 19       | 1501014     | BREW GROUP SPRAY NOZZLE ø 30 mm M9.6x1   |
| 20       | 1081026     | SHOWER ø 56.5 mm                         |
| 22       | 1186711     | FILTER HOLDER GASKET ø 72x56x9 mm        |
| 23       | 1190011     | PAPER SEAL ø 72x58x0.8 mm                |
| 24       | 1190003     | RUBBER SHIM ø 70x57x1 mm EPDM            |
| 25       | 1160251     | 1 CUP FILTER 6 g ø 70x20.5 mm            |
| 26       | 1160252     | FILTER 2-CUP 12 g ø 70x21 mm             |
| 27       | 1160335     | 1 CUP FILTER 7 g ø 70x24,5 mm            |
| 28       | 1160337     | FILTER 2-CUP 14 g ø 70x24,5 mm           |
| 29       | 1160339     | BLIND FILTER ø 70x17 mm                  |
| 30       | 1250101     | FILTER LOCKING SPRING ø 1,00 mm INOX     |
| 31       | 1165022     | FILTER HOLDER FOR COFFEE MACHINES        |
| 32       | 1022503     | SPOUT 1 CUP STRAIGHT ø 3/8"              |
| 33       | 1022502     | DOUBLE SPOUT ø 3/8"                      |
| 34       | 1022501     | SPOUT 1 CUP ø 3/8"                       |
| 35       | 1241067     | FILTER HOLDER HANDLE M12                 |
| 36       | 1186611     | O-RING 02025 RED SILICONE                |
| 36       | 1186612     | O-RING 02025 VITON                       |
| 37       | 1241501     | FILTER HOLDER HANDLE M12                 |
| 37       | 1241504     | FILTER HOLDER HANDLE M12                 |



## BREW GROUP NEW TYPE

**NEW TYPE**



AU0201

Positions without LF code no.: upon request



# BRUGNETTI-AURORA



| Position | LF code no. | Description  |
|----------|-------------|--|
| 3        | 1160516     | WATER FILTER $\varnothing$ 11 mm                     |
| 4        | 1160515     | FILTER HOLDER BUSHING                                |
| 5        | 1501541     | NOZZLE M6x1 HOLE $\varnothing$ 0,8 mm                |
| 10       | 1186015     | COFFEE GROUP GASKET $\varnothing$ 78x42x2 mm         |
| 10       | 1186098     | COFFEE GROUP GASKET $\varnothing$ 78x43x2 mm         |
| 11       | 1186466     | O-RING 03181 EPDM                                    |
| 13       | 1190011     | PAPER SEAL $\varnothing$ 72x58x0.8 mm                |
| 14       | 1190003     | RUBBER SHIM $\varnothing$ 70x57x1 mm EPDM            |
| 15       | 1186711     | FILTER HOLDER GASKET $\varnothing$ 72x56x9 mm        |
| 16       | 1501014     | BREW GROUP SPRAY NOZZLE $\varnothing$ 30 mm M9.6x1   |
| 17       | 1081026     | SHOWER $\varnothing$ 56.5 mm                         |
| 19       | 1186611     | O-RING 02025 RED SILICONE                            |
| 19       | 1186612     | O-RING 02025 VITON                                   |
| 20       | 1120101     | 3-WAY SOLENOID VALVE PARKER 115V 50/60Hz             |
| 20       | 1120102     | 3-WAY SOLENOID VALVE LUCIFER 115V 60Hz               |
| 20       | 1120330     | 3-WAY SOLENOID VALVE LUCIFER 240V 50Hz               |
| 20       | 1120335     | 3-WAY SOLENOID VALVE PARKER 230V 50/60Hz             |
| 23       | 1160251     | 1 CUP FILTER 6 g $\varnothing$ 70x20.5 mm            |
| 24       | 1160252     | FILTER 2-CUP 12 g $\varnothing$ 70x21 mm             |
| 25       | 1160335     | 1 CUP FILTER 7 g $\varnothing$ 70x24,5 mm            |
| 26       | 1160337     | FILTER 2-CUP 14 g $\varnothing$ 70x24,5 mm           |
| 27       | 1160339     | BLIND FILTER $\varnothing$ 70x17 mm                  |
| 28       | 1250101     | FILTER LOCKING SPRING $\varnothing$ 1,00 mm INOX     |
| 29       | 1165088     | FILTER HOLDER FOR COFFEE MACHINES                    |
| 30       | 1241169     | FILTER HOLDER HANDLE M12                             |
| 31       | 5051776     | CAP CHROME PL. FOR FILTER HOLDER HANDLE              |
| 32       | 1022502     | DOUBLE SPOUT $\varnothing$ 3/8"                      |
| 33       | 1022501     | SPOUT 1 CUP $\varnothing$ 3/8"                       |
| 50       | 1069001     | PLASTIC MEASURING SPOON 20 ml                        |
| 51       | 1069002     | STAINLESS STEEL MEASURING SPOON 20 ml                |
| 52       | 1384003     | SHOWER CLEANING BRUSH BLACK                          |
| 53       | 1384002     | BRUSH FOR MAINTENANCE                                |
| 54       | 1384001     | SHOWER CLEANING BRUSH                                |
| 55       | 1385002     | NYLON COFFEE TAMPER $\varnothing$ 50/57 mm           |
| 56       | 1385053     | ANODIZED ALUMINIUM TAMPER $\varnothing$ 58 mm        |
| 57       | 1385600     | DYNAMOMETRIC MANUAL COFFEE TAMPER $\varnothing$ 57mm |

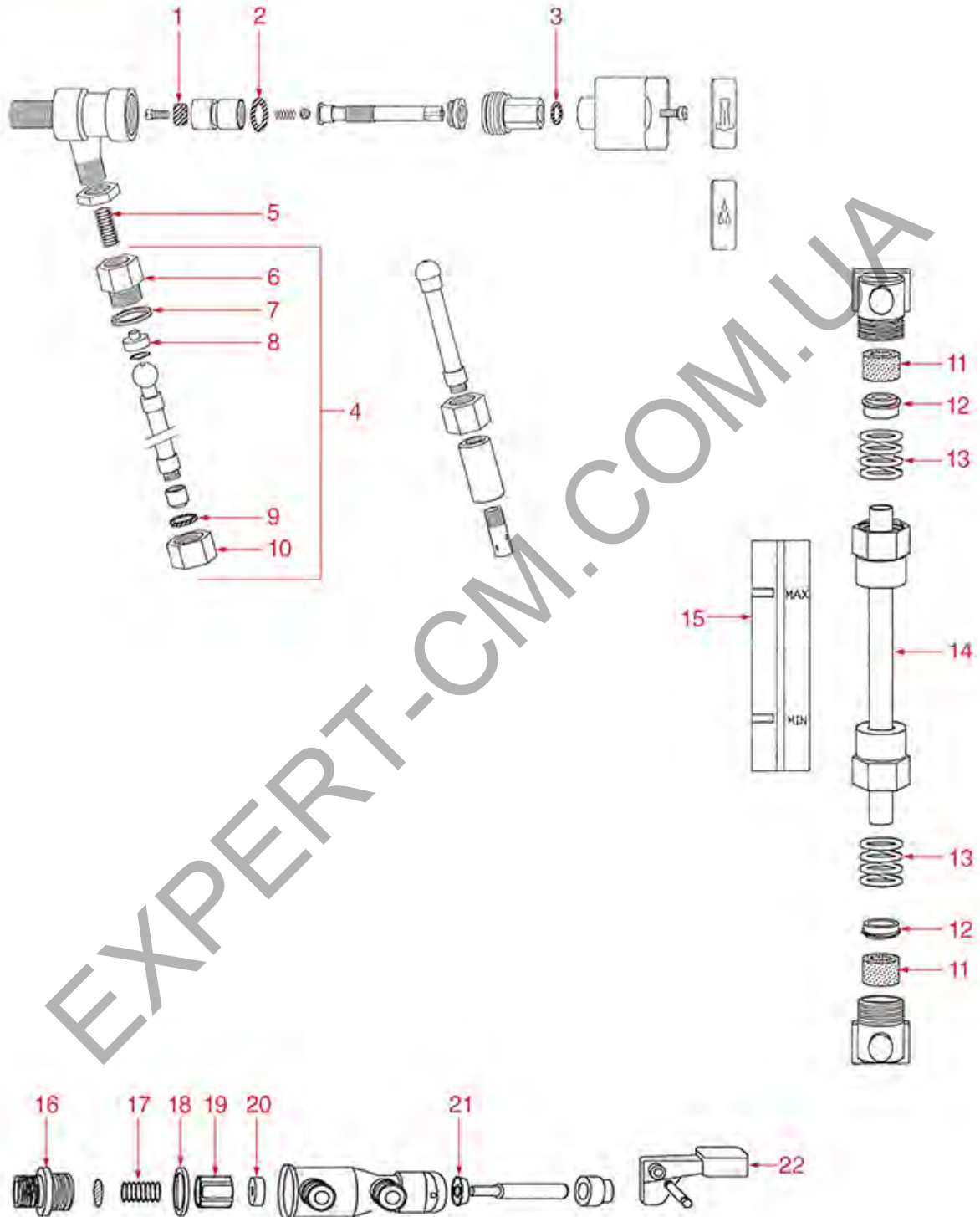
EXPERTS.COM.UA





## TAPS AND LEVEL OLD TYPE

OLD TYPE





# BRUGNETTI-AURORA



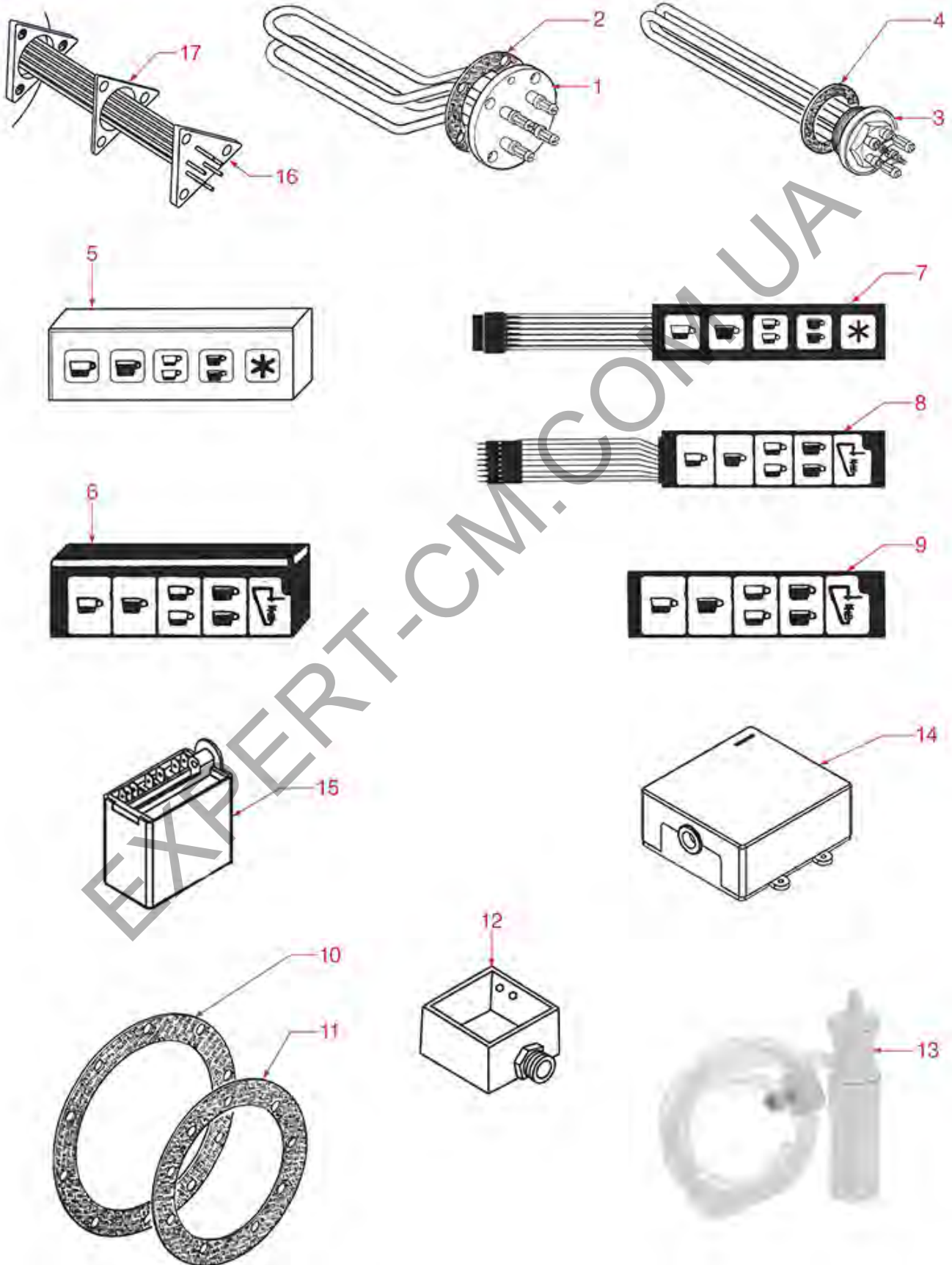
| Position | LF code no. | Description  |
|----------|-------------|--|
| 1        | 1186316     | EPDM FLAT GASKET $\varnothing$ 15x4x4 mm 60 SH       |
| 1        | 1186527     | FLAT EPDM GASKET $\varnothing$ 15x4x4 mm 80 SH       |
| 2        | 3243086     | O-RING 0117 EPDM                                     |
| 3        | 1186236     | O-RING 03043 VITON                                   |
| 4        | 1449326     | STAINLESS STEEL STEAM PIPE COMPL. $\varnothing$ 10 m |
| 7        | 1186044     | COPPER FLAT GASKET $\varnothing$ 24x20x1 mm          |
| 9        | 1186318     | O-RING 03043 EPDM                                    |
| 11       | 1186227     | FLAT EPDM GASKET $\varnothing$ 21x11.5x5 mm          |
| 12       | 1186090     | LEVEL GLASS GASKET HOLDER                            |
| 14       | 1520501     | LEVEL GLASS $\varnothing$ 12x175 mm                  |
| 18       | 1186314     | PTFE FLAT GASKET $\varnothing$ 22x17x2 mm            |
| 20       | 1186316     | EPDM FLAT GASKET $\varnothing$ 15x4x4 mm 60 SH       |
| 20       | 1186527     | FLAT EPDM GASKET $\varnothing$ 15x4x4 mm 80 SH       |
| 21       | 1186091     | LIP SEAL $\varnothing$ 15x8x4 mm                     |

EXPERT-CM.COM.UA



MISCELLANEOUS

OLD TYPE



Positions without LF code no.: upon request



# BRUGNETTI-AURORA



| Position | LF code no. | Description  |
|----------|-------------|--|
| 1        | 1755622     | HEATING ELEMENT 2000W 220V                         |
| 2        | 3186006     | ASBESTOS FREE FLAT GASKET $\varnothing$ 95x56x3 mm |
| 3        | 1755026     | HEATING ELEMENT 2000W 230V                         |
| 3        | 1755134     | HEATING ELEMENT 2400W 230V                         |
| 4        | 1186623     | PTFE FLAT GASKET $\varnothing$ 53x43x3 mm          |
| 4        | 1186633     | FLAT CARBO GASKET $\varnothing$ 53x42x3 mm         |
| 4        | 3186010     | ASBESTOS FREE FLAT GASKET $\varnothing$ 54x42x2 mm |
| 7        | 1319545     | PUSH-BUTTON PANEL MEMBRANE 5 BUTTONS               |
| 10       | 1186276     | BOILER GASKET $\varnothing$ 210x150x3 mm           |
| 12       | 1527030     | DRAIN TANK   |
| 13       | 1079002     | MILK FROTHER STANDARD NYLON                        |
| 14       | 5048271     | DOSING CONTROL BOX 2 GROUPS 230V                   |
| 15       | 5033337     | DOSING CONTROL BOX 2 GROUPS 230V                   |
| 16       | 5032257     | HEATING ELEMENT 3000W 230/400V                     |
| 17       | 1186634     | TRIANGULAR GASKET FOR HEATING ELEMENT              |

EXPERT-CM.COM.UA