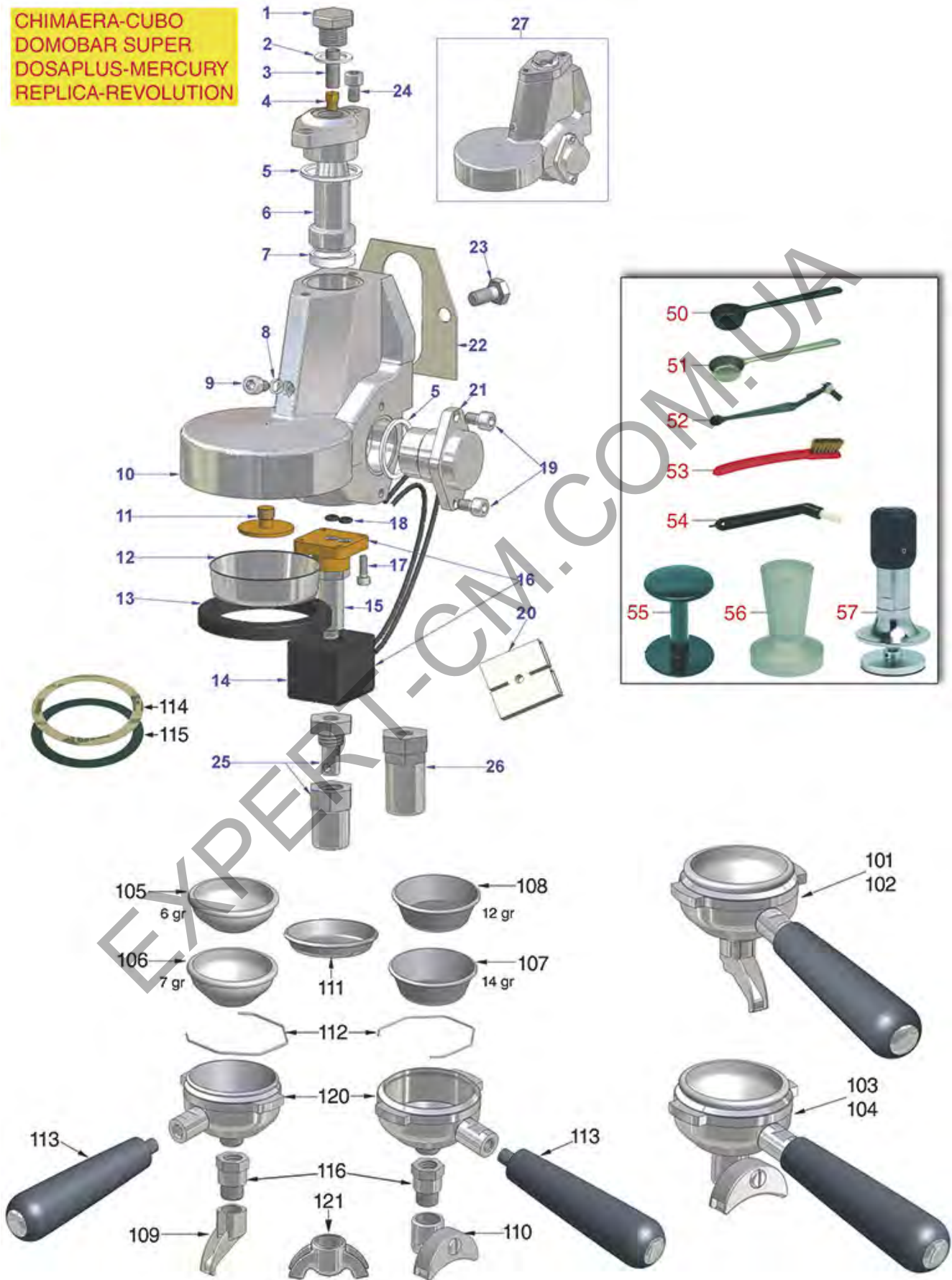




BREW GROUP WITH SOLENOID VALVE

CHIMAERA-CUBO  
DOMOBAR SUPER  
DOSAPLUS-MERCURY  
REPLICA-REVOLUTION



VBM0102

Positions without LF code no.: upon request



# VIBIEMME



Position	LF code no.	Description
1	1439001	CAP ø 16 mm FOR BREW GROUP
2	1186326	PTFE FLAT GASKET ø 22x16x2 mm
3	1160517	WATER FILTER ø 8.5x22 mm
4	1501566	NOZZLE M6x1 HOLE ø 0,5 mm
5	1186328	PTFE FLAT GASKET ø 35x30x2 mm
6	1192171	UPPER CHROME-PLATED SLEEVE
7	1786283	FLAT PTFE GASKET ø 25.5x21x5 mm
8	1786291	FLAT PTFE GASKET ø 9.5x6x2 mm
11	1501561	GROUP SPRAY NOZZLE ø 30 mm M10x1
12	1081016	SHOWER SCREEN ø 60 mm
12	1081116	SHOWER SCREEN ø 60 mm
12	1081216	SHOWER SCREEN ø 60 mm
12	1081516	SHOWER ø 60 mm
13	1186721	FILTER HOLDER GASKET ø 74x57.5x8 mm
13	1186722	FILTER HOLDER GASKET ø 73x57x8 mm
13	1186723	FILTER HOLDER GASKET ø 73x57x8.5 mm
13	1186724	FILTER HOLDER GASKET ø 73x57x9 mm
13	1486724	GASKET FILTERHOLDER ø 73x57x10 mm
14	1120361	COIL PARKER YB09 220/230V 9W 50/60Hz
15	1120339	3-WAY MECHANICAL COMPONENT PARKER
16	1120280	SOLENOID VALVE ODE 3 WAYS 110V
16	1120349	3-WAY SOLENOID VALVE PARKER 230V 50/60Hz
17	1184006	LOW CYLINDER HEAD SCREW M4x12
18	1186612	O-RING 02025 VITON
19	1184010	LOW CYLINDER HEAD SCREW M6x10
21	1192169	CHROME-PLATED LATERAL CAP
22	1186384	COFFEE GROUP GASKET 80x70x2 mm
22	1186508	COFFEE GROUP GASKET 77x73x2 mm
23	1528622	HEXAGON HEAD SCREW M8x16
25	1349007	DRAIN CHROMIUM-PLATED FITTING
26	1192174	CHROME-PLATED OUTLET FITTING
50	1069001	PLASTIC MEASURING SPOON 20 ml
51	1069002	STAINLESS STEEL MEASURING SPOON 20 ml
52	1384003	BLACK SHOWER CLEANING BRUSH
53	1384002	BRUSH FOR MAINTENANCE
54	1384001	BRUSH FOR COFFEE SHOWER
55	1385002	NYLON COFFEE TAMPER ø 50/57 mm
56	1385042	POLISHED ALUMINIUM TAMPER ø 58 mm
56	1385053	ANODIZED ALUMINIUM TAMPER ø 58 mm
57	1385600	DYNAMOMETRIC MANUAL COFFEE TAMPER ø 57mm
101	1165126	COMPLETE FILTER HOLDER 1 CUP VIBIEMME
102	1165124	COMPLETE FILTER HOLDER 1 CUP VIBIEMME
103	1165125	COMPLETE FILTER HOLDER 2 CUPS VIBIEMME
104	1165127	COMPLETE FILTER HOLDER 2 CUPS VIBIEMME
105	1160251	1 CUP FILTER 6 g
106	1160335	1 CUP FILTER 7 g
107	1160337	FILTER 2-CUP 14 g ø 70x24,5 mm
108	1160252	FILTER 2-CUP 12 g
109	1022501	SINGLE SPOUT ø 3/8"
110	1022502	DOUBLE SPOUT ø 3/8"
111	1160339	BLIND FILTER ø 70x17 mm
112	1250101	FILTER BLOCKING SPRING ø 1,00 mm INOX
113	1241060	FILTER HOLDER KNOB M10
114	1190001	PAPER SHIM ø 73x59x0.8 mm
115	1190002	RUBBER SHIM ø 73x59x1 mm EPDM
116	1022103	CHROME-PLATED EXTENSION F/SPOUTS ø 3/8"
120	1165063	FILTER HOLDER VIBIEMME



LEVER BREW GROUP

CUBO-DOMOBAR  
DOMOBAR JUNIOR  
DOMOBAR SUPER  
REPLICA



VBM0202

Positions without LF code no.: upon request



# VIBIEMME

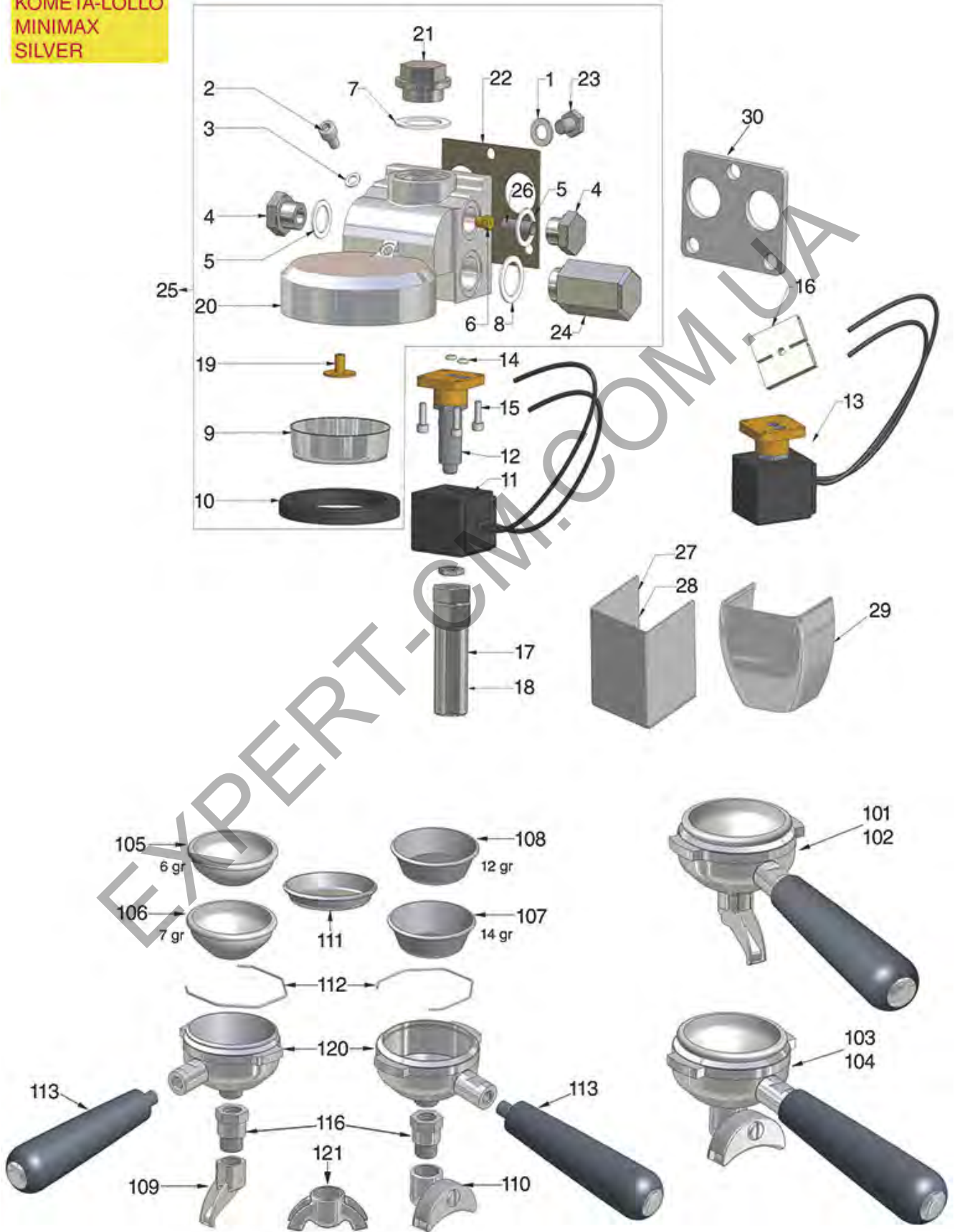


Position	LF code no.	Description
1	1439001	CAP ø 16 mm FOR BREW GROUP
2	1186326	PTFE FLAT GASKET ø 22x16x2 mm
3	1501566	NOZZLE M6x1 HOLE ø 0,5 mm
4	1192171	UPPER CHROME-PLATED SLEEVE
5	1186328	PTFE FLAT GASKET ø 35x30x2 mm
6	1786283	FLAT PTFE GASKET ø 25.5x21x5 mm
7	1250536	SPRING ø 13x42 mm
8	1324013	DELIVERY VALVE PIN
8	1523053	COMPLETE SPOUT VALVE
9	1786291	FLAT PTFE GASKET ø 9.5x6x2 mm
12	1501561	GROUP SPRAY NOZZLE ø 30 mm M10x1
13	1081016	SHOWER SCREEN ø 60 mm
13	1081116	SHOWER SCREEN ø 60 mm
13	1081216	SHOWER SCREEN ø 60 mm
13	1081516	SHOWER ø 60 mm
14	1186721	FILTER HOLDER GASKET ø 74x57.5x8 mm
14	1186722	FILTER HOLDER GASKET ø 73x57x8 mm
14	1186723	FILTER HOLDER GASKET ø 73x57x8.5 mm
14	1186724	FILTER HOLDER GASKET ø 73x57x9 mm
14	1486724	GASKET FILTERHOLDER ø 73x57x10 mm
15	1192181	CHROME-PLATED DRAIN SLEEVE
16	1523453	COMPLETE DRAIN VALVE
17	1250515	SPRING ø 14x33 mm
18	1186117	PTFE FLAT GASKET ø 26x21x2 mm
21	1250537	SPRING ø 14x45 mm
22	1324094	TRIANGULAR INFUSION PIN
22	1523057	INFUSION VALVE COMPLETE
23	1184005	CAM LOCKING STAINLESS STEEL SCREW M6
24	1324048	CAM ROD FOR COFFEE GROUP
25	1192183	CHROME-PLATED CAM HOLDER FITTING
26	1186312	EPDM FLAT GASKET ø 15.5x7.5x4 mm
27	1186313	CAM GUIDE BUSHING
28	1250516	SPRING ø 15x28 mm
29	1439533	STUFFING GLAND CHROME-PLATED FITTING
30	1184010	LOW CYLINDER HEAD SCREW M6x10
34	1241401	KNOB M8x1
35	1528047	BLIND HEXAGONAL NUT M6
38	1186384	COFFEE GROUP GASKET 80x70x2 mm
38	1186508	COFFEE GROUP GASKET 77x73x2 mm
39	1528622	HEXAGON HEAD SCREW M8x16
40	1186591	O-RING 0128 VITON
41	1192180	UPPER CHROME-PLATED SLEEVE
101	1165126	COMPLETE FILTER HOLDER 1 CUP VIBIEMME
102	1165124	COMPLETE FILTER HOLDER 1 CUP VIBIEMME
103	1165125	COMPLETE FILTER HOLDER 2 CUPS VIBIEMME
104	1165127	COMPLETE FILTER HOLDER 2 CUPS VIBIEMME
105	1160251	1 CUP FILTER 6 g
106	1160335	1 CUP FILTER 7 g
107	1160337	FILTER 2-CUP 14 g ø 70x24,5 mm
108	1160252	FILTER 2-CUP 12 g
109	1022501	SINGLE SPOUT ø 3/8"
110	1022502	DOUBLE SPOUT ø 3/8"
111	1160339	BLIND FILTER ø 70x17 mm
112	1250101	FILTER BLOCKING SPRING ø 1,00 mm INOX
113	1241060	FILTER HOLDER KNOB M10
114	1190001	PAPER SHIM ø 73x59x0.8 mm
115	1190002	RUBBER SHIM ø 73x59x1 mm EPDM
116	1022103	CHROME-PLATED EXTENSION F/SPOUTS ø 3/8"
120	1165063	FILTER HOLDER VIBIEMME



AUTOMATIC BREW GROUP

EVOLUTION  
KOMETA-LOLLO  
MINIMAX  
SILVER



VBM0302

Positions without LF code no.: upon request



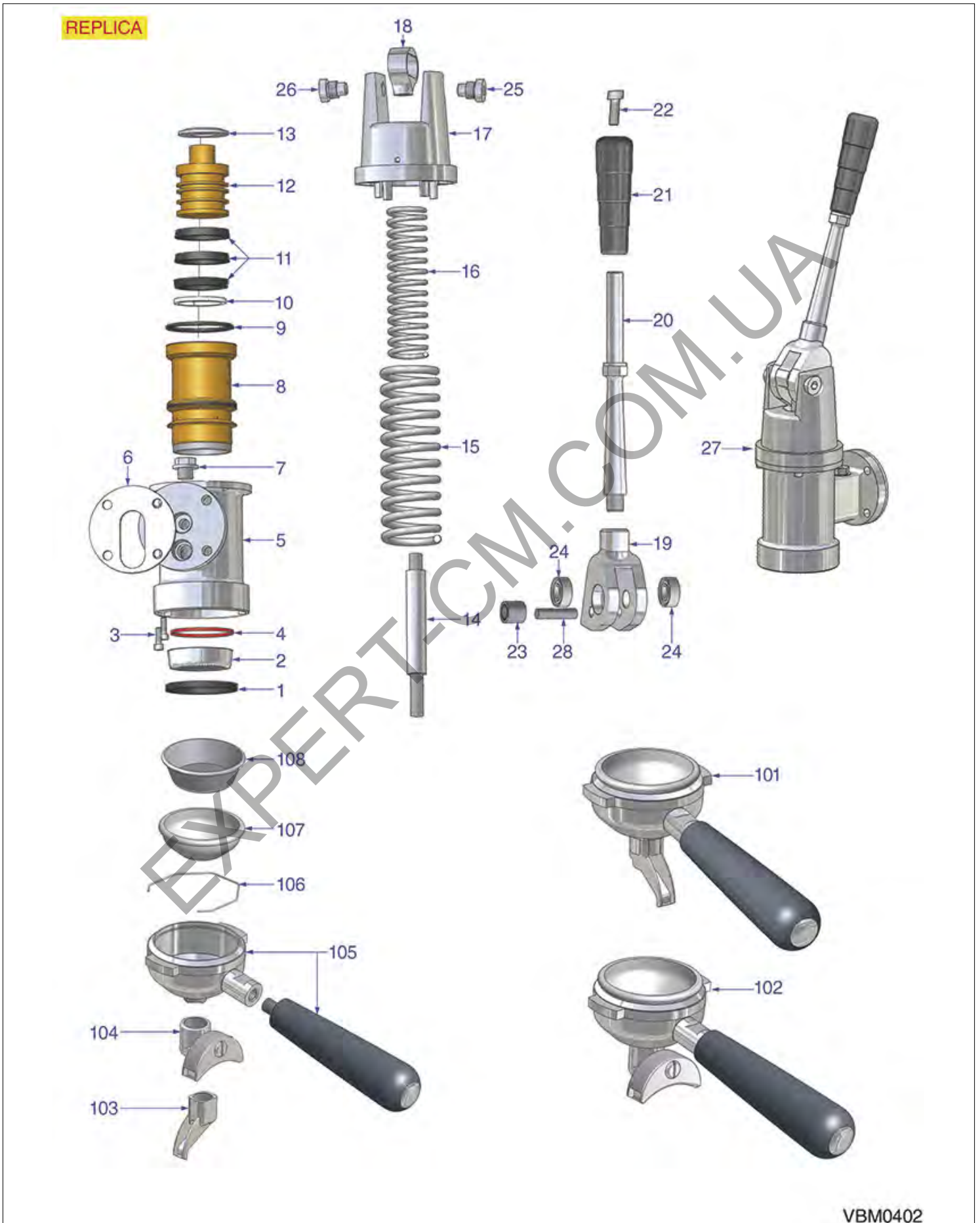
# VIBIEMME



Position	LF code no.	Description
1	1528008	WASHER FLAT M8
3	1786291	FLAT PTFE GASKET $\varnothing$ 9.5x6x2 mm
4	1439001	CAP $\varnothing$ 16 mm FOR BREW GROUP
5	1186326	PTFE FLAT GASKET $\varnothing$ 22x16x2 mm
6	1501566	NOZZLE M6x1 HOLE $\varnothing$ 0,5 mm
7	1186328	PTFE FLAT GASKET $\varnothing$ 35x30x2 mm
8	1186117	PTFE FLAT GASKET $\varnothing$ 26x21x2 mm
9	1081016	SHOWER SCREEN $\varnothing$ 60 mm
9	1081116	SHOWER SCREEN $\varnothing$ 60 mm
9	1081216	SHOWER SCREEN $\varnothing$ 60 mm
9	1081516	SHOWER $\varnothing$ 60 mm
10	1186721	FILTER HOLDER GASKET $\varnothing$ 74x57.5x8 mm
10	1186722	FILTER HOLDER GASKET $\varnothing$ 73x57x8 mm
10	1186723	FILTER HOLDER GASKET $\varnothing$ 73x57x8.5 mm
10	1186724	FILTER HOLDER GASKET $\varnothing$ 73x57x9 mm
11	1120361	COIL PARKER YB09 220/230V 9W 50/60Hz
12	1120339	3-WAY MECHANICAL COMPONENT PARKER
13	1120280	SOLENOID VALVE ODE 3 WAYS 110V
13	1120349	3-WAY SOLENOID VALVE PARKER 230V 50/60Hz
14	1186612	O-RING 02025 VITON
15	1184006	LOW CYLINDER HEAD SCREW M4x12
17	1192175	CHROME-PLATED OUTLET FITTING
18	1192173	CHROME-PLATED OUTLET FITTING
19	1501560	BREW GROUP SPRAY NOZZLE $\varnothing$ 21 mm M6x1
21	1439057	CAP M26x1.5 FOR DELIVERY GROUP
22	1186486	COFFEE GROUP GASKET 72x64x2 mm
23	1528622	HEXAGON HEAD SCREW M8x16
24	1439060	CAP $\varnothing$ 20.5 mm FOR DELIVERY GROUP
26	1160517	WATER FILTER $\varnothing$ 8.5x22 mm
27	1192172	SOLENOID VALVE COVER
28	1192182	SOLENOID VALVE PLATE
29	1192170	SOLENOID VALVE COVER
30	1192166	SPACER FOR COFFEE GROUP
101	1165126	COMPLETE FILTER HOLDER 1 CUP VIBIEMME
102	1165124	COMPLETE FILTER HOLDER 1 CUP VIBIEMME
103	1165125	COMPLETE FILTER HOLDER 2 CUPS VIBIEMME
104	1165127	COMPLETE FILTER HOLDER 2 CUPS VIBIEMME
105	1160251	1 CUP FILTER 6 g
106	1160335	1 CUP FILTER 7 g
107	1160337	FILTER 2-CUP 14 g $\varnothing$ 70x24,5 mm
108	1160252	FILTER 2-CUP 12 g
109	1022501	SINGLE SPOUT $\varnothing$ 3/8"
110	1022502	DOUBLE SPOUT $\varnothing$ 3/8"
111	1160339	BLIND FILTER $\varnothing$ 70x17 mm
112	1250101	FILTER BLOCKING SPRING $\varnothing$ 1,00 mm INOX
113	1241060	FILTER HOLDER KNOB M10
114	1190001	PAPER SHIM $\varnothing$ 73x59x0.8 mm
115	1190002	RUBBER SHIM $\varnothing$ 73x59x1 mm EPDM
116	1022103	CHROME-PLATED EXTENSION F/SPOUTS $\varnothing$ 3/8"
120	1165063	FILTER HOLDER VIBIEMME



## LEVER BREW GROUP REPLICA



VBM0402



# VIBIEMME

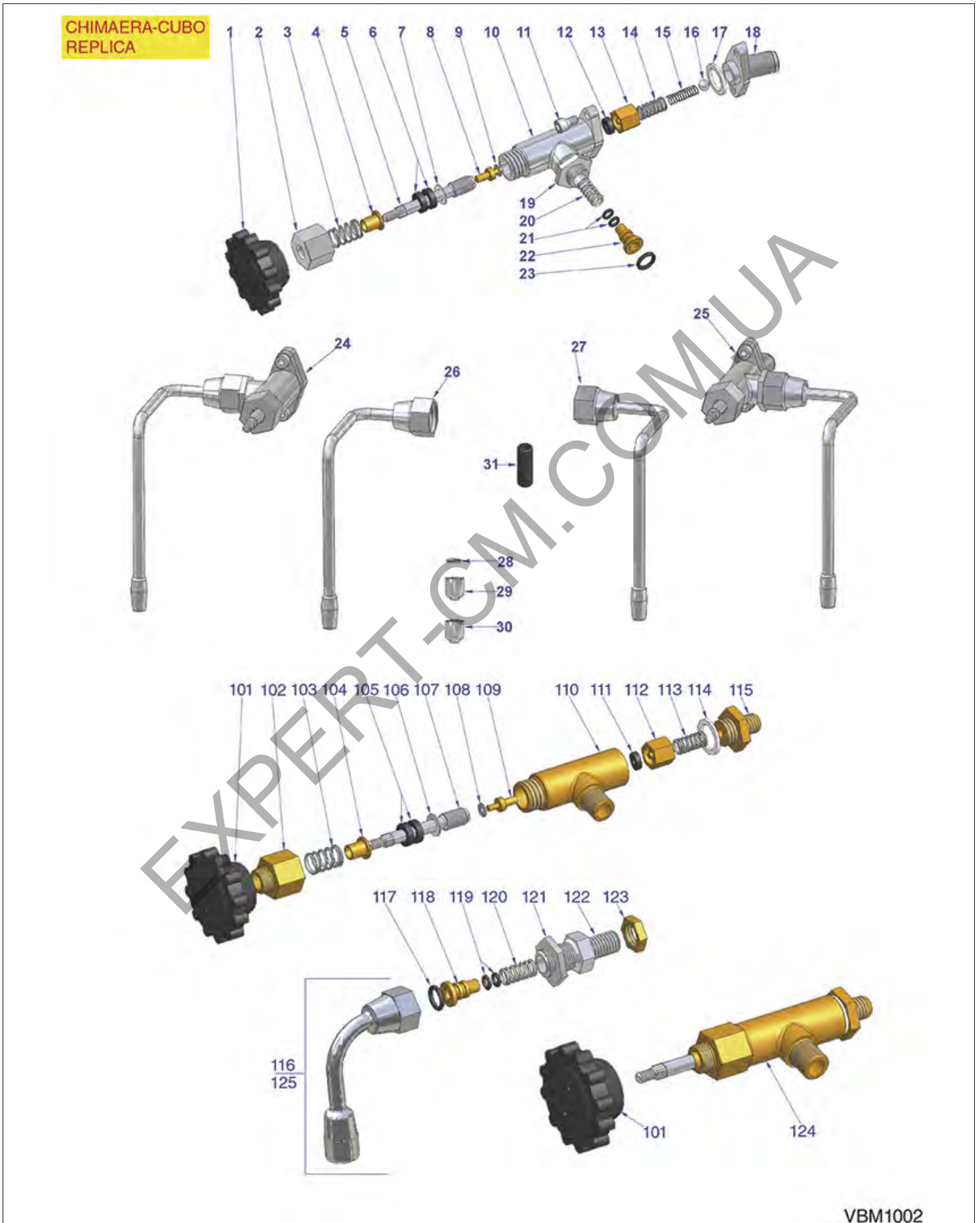


Position	LF code no.	Description
1	1486026	FILTER HOLDER GASKET $\varnothing$ 65.5x55.5x5.5
2	1081016	SHOWER SCREEN $\varnothing$ 60 mm
2	1081116	SHOWER SCREEN $\varnothing$ 60 mm
2	1081216	SHOWER SCREEN $\varnothing$ 60 mm
2	1081516	SHOWER $\varnothing$ 60 mm
3	5014713	CYLINDER HEAD SCREW M5x16
4	1786292	O-RING 0161 BROWN VITON
6	1786285	GROUP GASKET $\varnothing$ 82.5x3 mm
7	1439200	CAP $\varnothing$ 18 mm FOR BREW GROUP
8	5500730	JACKET FOR LEVER ASSEMBLY
9	1786287	O-RING 0162 BLACK VITON
10	1186800	FLAT GASKET $\varnothing$ 50x44x4 mm PTFE
12	1192179	LEVER GROUP PISTON
13	1192167	PISTON SPACER FOR LEVER GROUP
14	1225053	LEVER FOR COOFFEE GROUP
15	1250354	SPRING FOR LEVER GROUP
16	1250355	SPRING FOR LEVER GROUP
18	1192184	CHROME-PLATED FORK FOR LEVER GROUP
19	1192168	CHROME-PLATED FORK FOR LEVER GROUP
20	1192178	CONTROL LEVER FOR DELIVERY GROUP
21	1241200	LEVER GROUP HANDLE
22	1528026	CYLINDER HEAD SCREW M8x20
23	1192185	ARTICULATION BUSHING $\varnothing$ 20x18x14 mm
24	1199062	BEARING 6001 ZZ NSK
25	1192176	RIGHT PIN FOR LEVER GROUP
26	1192177	LEFT PIN FOR LEVER GROUP
28	1324164	LEVER GROUP ARTICULATION PIN $\varnothing$ 10x40 mm
101	1165232	FILTER HOLDER COMPLETE 1 CUP VIBIEMME
102	1165233	FILTERHOLDER COMPLETE 2 CUPS VIBIEMME
103	1022501	SINGLE SPOUT $\varnothing$ 3/8"
104	1022502	DOUBLE SPOUT $\varnothing$ 3/8"
105	1165232	FILTER HOLDER COMPLETE 1 CUP VIBIEMME
105	1165233	FILTERHOLDER COMPLETE 2 CUPS VIBIEMME
106	1250101	FILTER BLOCKING SPRING $\varnothing$ 1,00 mm INOX





## WATER/STEAM TAPS



VBM1002

Positions without LF code no.: upon request



# VIBIEMME

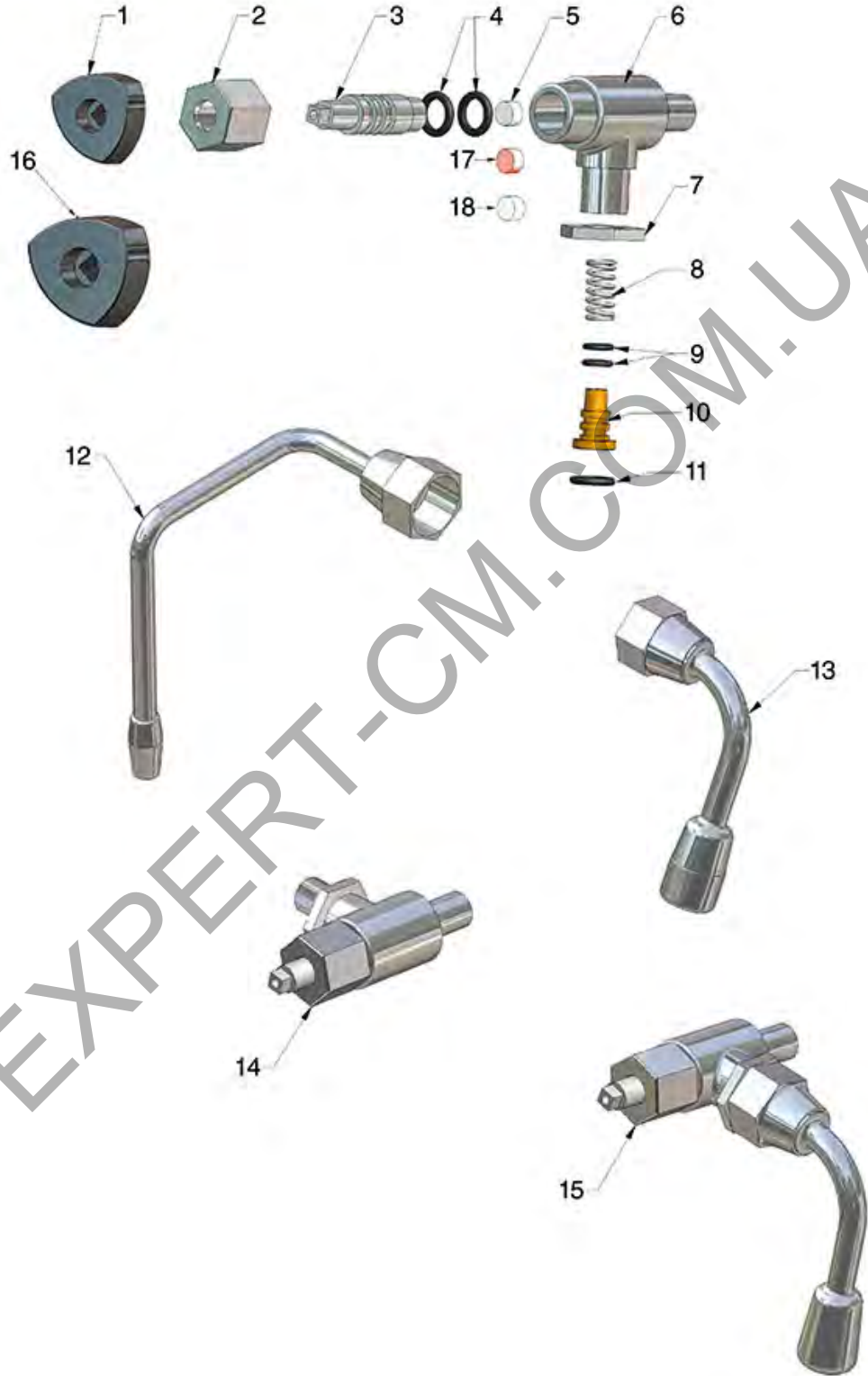


Position	LF code no.	Description
1	1241461	WATER/STEAM TAP KNOB
2	1548011	CHROME-PLATED NUT FOR TAP
3	1250521	SPRING $\varnothing$ 15x17 mm
4	1186322	TAP ROD BUSHING
5	1324086	TAP HANDLE SPINDLE
6	1186312	EPDM FLAT GASKET $\varnothing$ 15.5x7.5x4 mm
7	1186732	WASHER $\varnothing$ 15x8.4x1 mm
8	1324026	TAP SPINDLE
9	3528238	FLAT WASHER M4
11	1184010	LOW CYLINDER HEAD SCREW M6x10
12	1186311	NBR FLAT GASKET $\varnothing$ 13x4x4 mm
13	1186122	GASKET HOLDER FOR TAP
14	1250157	TAP SPRING $\varnothing$ 12.5x30 mm
15	1250202	SPRING $\varnothing$ 8x30 mm
16	1323003	STAINLESS STEEL BALL $\varnothing$ 8 mm
17	1186323	PTFE FLAT GASKET $\varnothing$ 24x18x2 mm
19	1348036	NUT $\varnothing$ 3/8" WRENCH 21x6mm
20	1250362	SPRING $\varnothing$ 10.8x30 mm
21	1186556	O-RING R6 EPDM
22	1348213	STEAM PIPE BUSHING
23	1186236	O-RING 03043 VITON
24	1548016	LH COMPLETE STEAM TAP
24	1548017	LH COMPLETE STEAM TAP
25	1348842	STEAM TAP ASSY
25	1548014	RH COMPLETE STEAM TAP
25	1548015	RH COMPLETE STEAM TAP
26	1549037	COMPLETE LH STEAM PIPE $\varnothing$ 8 mm
26	5057693	COMPLETE CHROME-PL. STEAM PIPE LH $\varnothing$ 8 mm
27	1449856	STEAM PIPE COMPLETE
27	1449857	COMPLETE WATER PIPE
27	1549036	COMPLETE RH STEAM PIPE $\varnothing$ 8 mm
27	1549041	COMPLETE ST. STEEL STEAM PIPE RH $\varnothing$ 10 mm
28	1186065	FLAT GASKET $\varnothing$ 12x10x1 mm PTFE
29	1449016	NOZZLE FOR STEAM $\varnothing$ 1/8" F 4 HOLES
30	1549040	STEAM SPRINKLER $\varnothing$ 1/8" F 2 HOLES
31	1187501	BURN PREVENTING PIPE HANDGRIP $\varnothing$ 8 mm
101	1241461	WATER/STEAM TAP KNOB
102	1349353	TAP COUPLING
103	1250521	SPRING $\varnothing$ 15x17 mm
104	1186322	TAP ROD BUSHING
105	1186312	EPDM FLAT GASKET $\varnothing$ 15.5x7.5x4 mm
106	1186732	WASHER $\varnothing$ 15x8.4x1 mm
107	1324086	TAP HANDLE SPINDLE
108	3528238	FLAT WASHER M4
109	1324026	TAP SPINDLE
111	1186311	NBR FLAT GASKET $\varnothing$ 13x4x4 mm
112	1186122	GASKET HOLDER FOR TAP
113	1250157	TAP SPRING $\varnothing$ 12.5x30 mm
114	1186323	PTFE FLAT GASKET $\varnothing$ 24x18x2 mm
115	1349352	TAP COUPLING
117	1186236	O-RING 03043 VITON
118	1348213	STEAM PIPE BUSHING
119	1186556	O-RING R6 EPDM
120	1250362	SPRING $\varnothing$ 10.8x30 mm
121	1348036	NUT $\varnothing$ 3/8" WRENCH 21x6mm
124	1548032	WATER/STEAM TAP



WATER/STEAM TAPS

DOMOBAR JUNIOR-DOMOBAR SUPER





# VIBIEMME



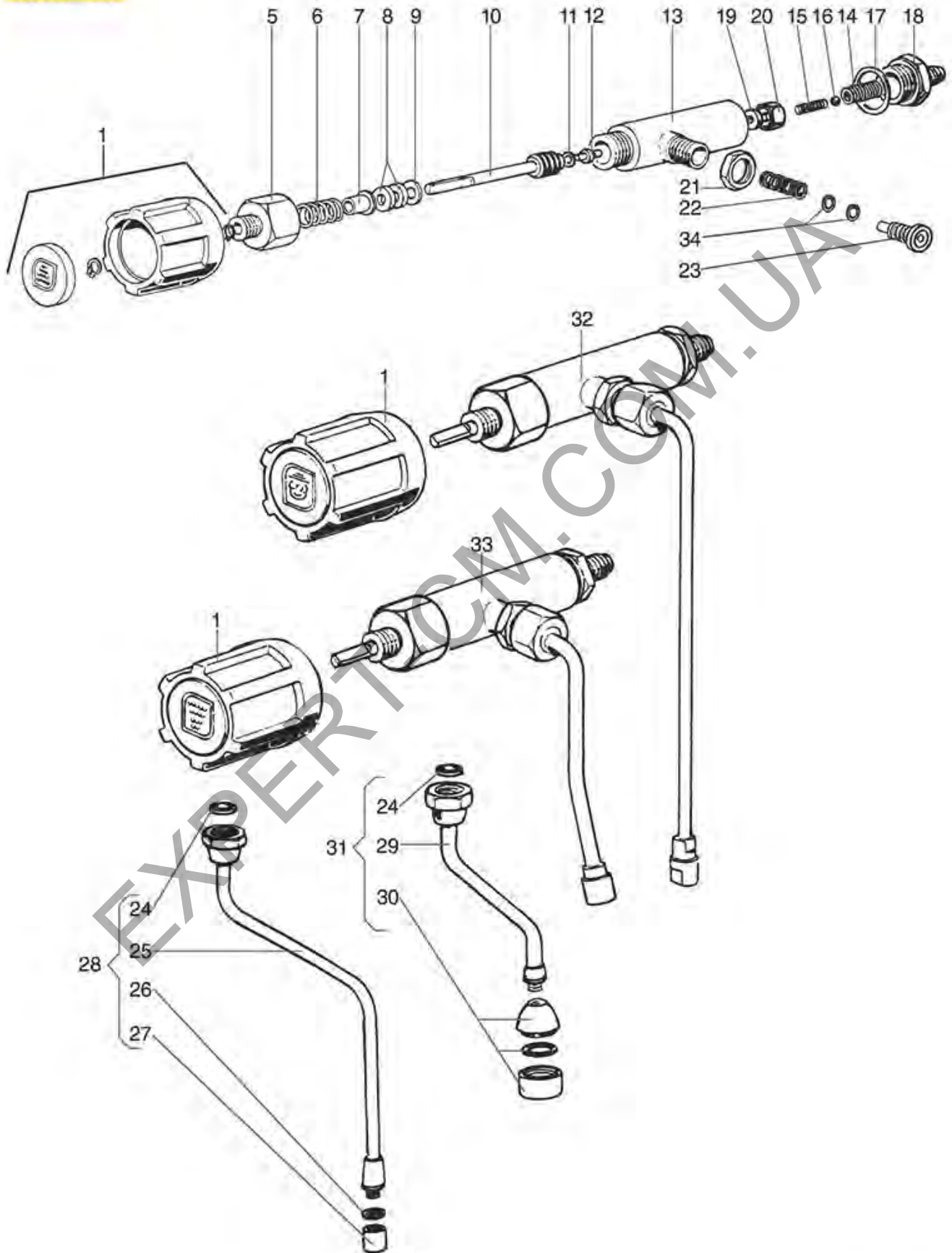
Position	LF code no.	Description
1	1241182	WATER/STEAM TAP KNOB
2	1548011	CHROME-PLATED NUT FOR TAP
3	1548018	WATER/STEAM TAP PIN
4	1186236	O-RING 03043 VITON
5	1786284	BLIND GASKET $\varnothing$ 10x5 mm SILICONE
7	1348036	NUT $\varnothing$ 3/8" WRENCH 21x6mm
8	1250348	SPRING $\varnothing$ 10.5x29.3 mm STEAM PIPE
9	1186556	O-RING R6 EPDM
10	1348213	STEAM PIPE BUSHING
11	1186236	O-RING 03043 VITON
12	1549038	COMPLETE STEAM PIPE $\varnothing$ 8 mm
13	1449304	COMPLETE WATER PIPE
14	1548023	TAP WATER/STEAM
16	1241183	WATER/STEAM TAP KNOB
17	1786294	BLIND GASKET $\varnothing$ 10x5 mm SILICONE
18	1786296	BLIND GASKET $\varnothing$ 9.5x5 mm PTFE

EXPERT-CM.COM.UA



## WATER/STEAM TAPS

DOSAPLUS



VBM1202

Positions without LF code no.: upon request



# VIBIEMME



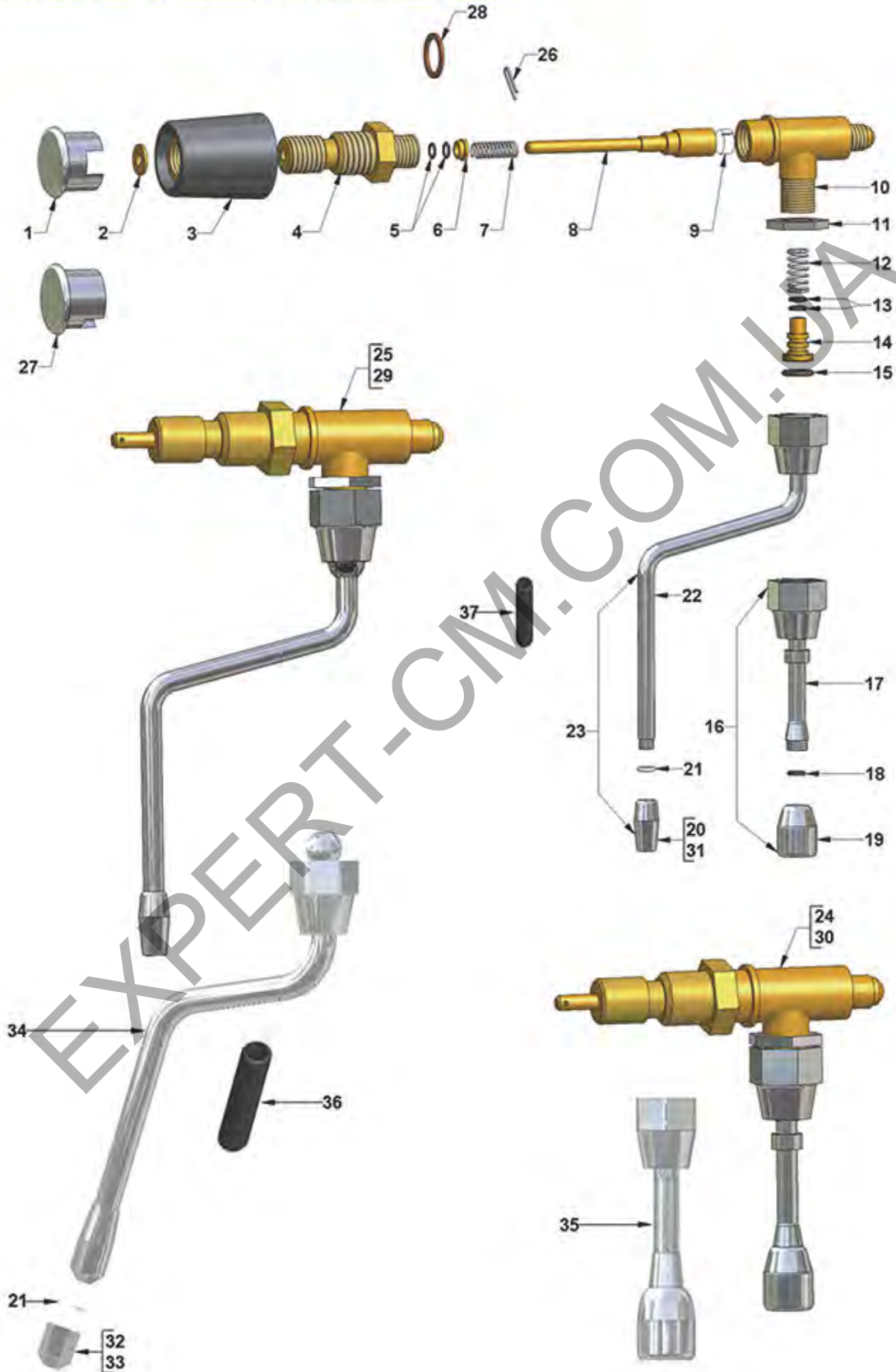
Position	LF code no.	Description
1	1241336	TAP HANDLE WATER/STEAM
5	1349353	TAP COUPLING
6	1250521	SPRING $\varnothing$ 15x17 mm
7	1186322	TAP ROD BUSHING
8	1186312	EPDM FLAT GASKET $\varnothing$ 15.5x7.5x4 mm
9	1186732	WASHER $\varnothing$ 15x8.4x1 mm
11	3528238	FLAT WASHER M4
12	1324026	TAP SPINDLE
14	1250157	TAP SPRING $\varnothing$ 12.5x30 mm
15	1250202	SPRING $\varnothing$ 8x30 mm
16	1323003	STAINLESS STEEL BALL $\varnothing$ 8 mm
17	1186323	PTFE FLAT GASKET $\varnothing$ 24x18x2 mm
18	1349352	TAP COUPLING
19	1186311	NBR FLAT GASKET $\varnothing$ 13x4x4 mm
20	1186122	GASKET HOLDER FOR TAP
21	1348036	NUT $\varnothing$ 3/8" WRENCH 21x6mm
22	1250362	SPRING $\varnothing$ 10.8x30 mm
23	1348213	STEAM PIPE BUSHING
24	1186236	O-RING 03043 VITON
26	1186065	FLAT GASKET $\varnothing$ 12x10x1 mm PTFE
27	1449016	NOZZLE FOR STEAM $\varnothing$ 1/8" F 4 HOLES
28	1449860	COMPLETE STEAM PIPE $\varnothing$ 8 mm
30	1449332	WATER PIPE NOZZLE
31	1449857	COMPLETE WATER PIPE
31	1549039	COMPLETE WATER PIPE $\varnothing$ 8 mm
32	1348843	STEAM TAP
32	1548019	COMPLETE STEAM TAP
33	1348843	STEAM TAP
33	1548020	COMPLETE WATER TAP
34	1186556	O-RING R6 EPDM

EXPERT-CM.COM.UA



## WATER/STEAM TAPS

### EVOLUTION-KOMETA-MINIMAX-REVOLUTION-SILVER





# VIBIEMME



Position	LF code no.	Description
1	1241057	STEAM CAP FOR KNOB
2	1528141	FLAT WASHER $\varnothing$ 22x6.5x5 mm
3	1241003	KNOB FOR WATER/STEAM TAP
4	1349471	TAP PIN
4	1349504	NUT $\varnothing$ 1/2" KEY 25x6 mm
5	1186854	O-RING EPDM R5
6	1548012	GASKET HOLDER
7	1250415	TAP SPRING $\varnothing$ 10x32 mm
8	1324066	WATER/STEAM TAP PIN
8	1324165	TAP PIN
9	1186442	BLIND GASKET $\varnothing$ 12x5.8 mm SILICONE
11	1349351	NUT $\varnothing$ 3/8" H5 KEY 24 mm
12	1250151	SPRING $\varnothing$ 12x15 mm FOR STEAM PIPE
12	1250348	SPRING $\varnothing$ 10.5x29.3 mm STEAM PIPE
13	1186556	O-RING R6 EPDM
14	1186670	STEAM PIPE ARTICULATION BUSHING $\varnothing$ 12x5mm
14	1348213	STEAM PIPE BUSHING
15	1186236	O-RING 03043 VITON
18	1186556	O-RING R6 EPDM
19	1449332	WATER PIPE NOZZLE
20	1449016	NOZZLE FOR STEAM $\varnothing$ 1/8" F 4 HOLES
21	1186065	FLAT GASKET $\varnothing$ 12x10x1 mm PTFE
23	1449064	STEAM PIPE COMPLETE STAINLESS STEEL $\varnothing$ 8
25	1548022	COMPLETE STEAM TAP
26	1389001	S/STEEL PIN $\varnothing$ 2x20 mm
27	1241058	WATER CAP FOR KNOB
28	1786289	FLAT COPPER GASKET $\varnothing$ 22x17x2 mm
31	1549040	STEAM SPRINKLER $\varnothing$ 1/8" F 2 HOLES
37	1187501	BURN PREVENTING PIPE HANDGRIP $\varnothing$ 8 mm

EXPERT-CM.COM.UA





WATER/STEAM TAPS

LOLLO



VBM1402

Positions without LF code no.: upon request



# VIBIEMME



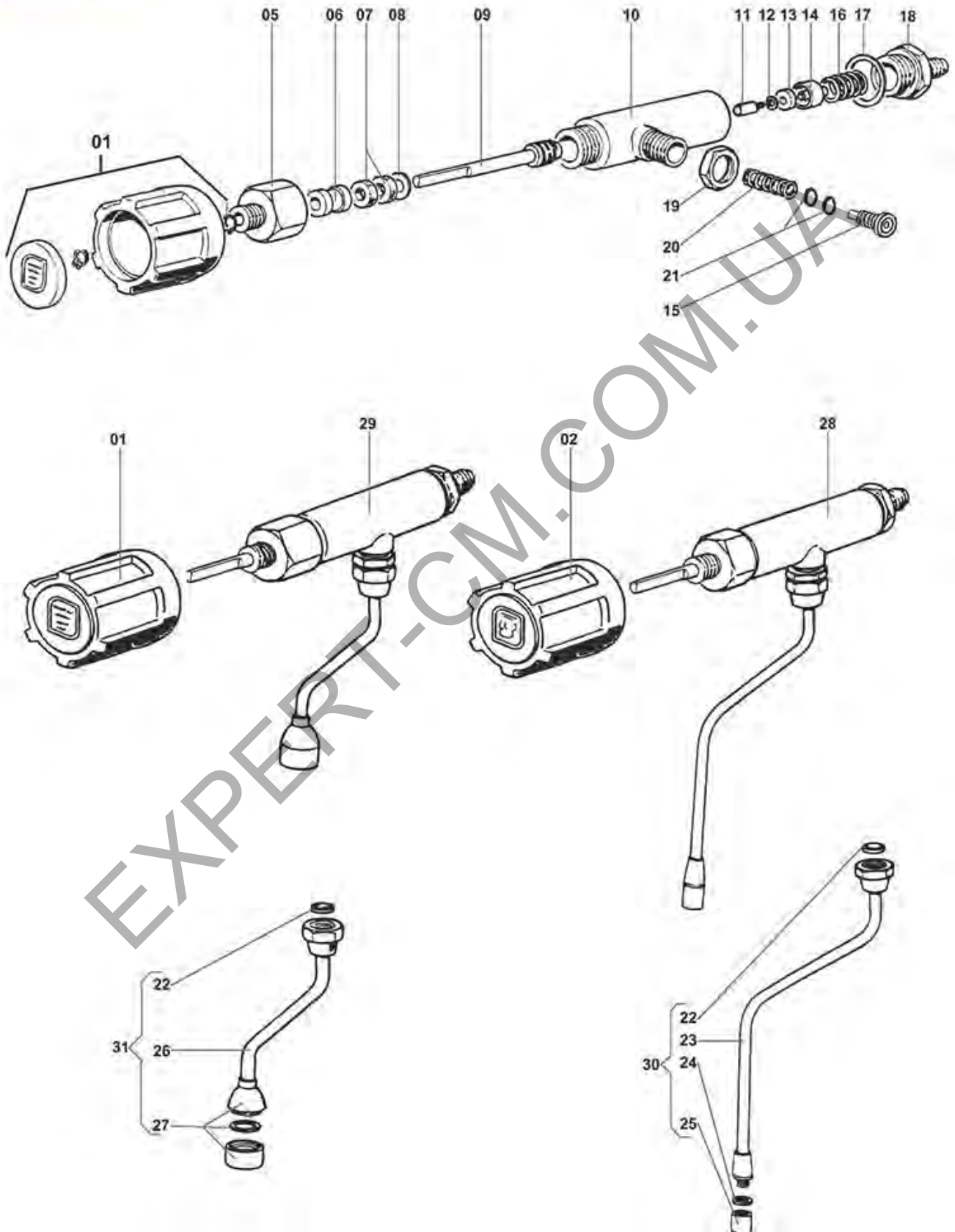
Position	LF code no.	Description
1	5058054	NUT CHROMED FOR TAP
2	5052818	BUSHING FOR PIN
3	5052820	PIN FOR TAP
4	5058055	BUSHING TAP WATER/STEAM
6	1186236	O-RING 03043 VITON
7	1250356	SPRING $\varnothing$ 13x27 mm STEAM TAP
9	1523075	GASKET HOLDER FOR TAP
10	1186731	PTFE FLAT GASKET $\varnothing$ 24x19x2 mm
12	1348036	NUT $\varnothing$ 3/8" WRENCH 21x6mm
13	1250348	SPRING $\varnothing$ 10.5x29.3 mm STEAM PIPE
14	1186556	O-RING R6 EPDM
15	1348213	STEAM PIPE BUSHING
16	1548021	STEAM/WATER TAP
17	1241401	KNOB M8x1
20	1549034	PIPE STEAM COMPL. ST. STEEL RH $\varnothing$ 10 mm
21	1549035	STEAM PIPE COMPLETE LH $\varnothing$ 10 mm
23	1449332	WATER PIPE NOZZLE
24	1186065	FLAT GASKET $\varnothing$ 12x10x1 mm PTFE
25	1449016	NOZZLE FOR STEAM $\varnothing$ 1/8" F 4 HOLES
29	1549034	PIPE STEAM COMPL. ST. STEEL RH $\varnothing$ 10 mm
30	1549035	STEAM PIPE COMPLETE LH $\varnothing$ 10 mm

EXPERT-CM.COM.UA



## WATER/STEAM TAPS

### MERCURY



VBM1502

Positions without LF code no.: upon request



# VIBIEMME



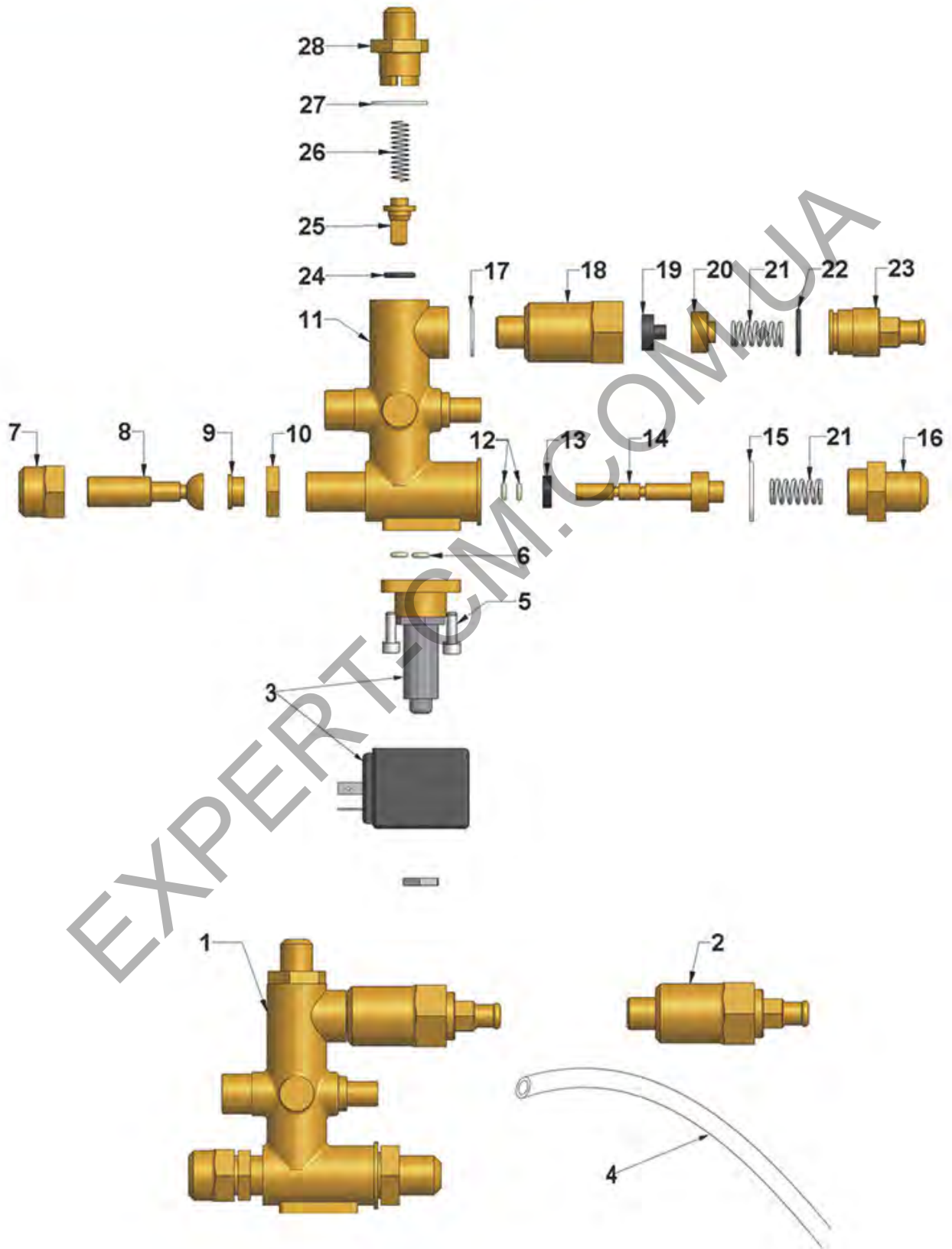
Position	LF code no.	Description
1	1241336	TAP HANDLE WATER/STEAM
2	1241336	TAP HANDLE WATER/STEAM
5	1349353	TAP COUPLING
7	1186312	EPDM FLAT GASKET $\varnothing$ 15.5x7.5x4 mm
8	1186732	WASHER $\varnothing$ 15x8.4x1 mm
9	1324008	SPINDLE FOR WATER/STEAM TAP
11	1523453	COMPLETE DRAIN VALVE
12	1186330	WASHER FLAT BRASS $\varnothing$ 6.8x3.2x0.5 mm
13	1186311	NBR FLAT GASKET $\varnothing$ 13x4x4 mm
14	1186309	GASKET HOLDER BUSHING
15	1348213	STEAM PIPE BUSHING
16	1250157	TAP SPRING $\varnothing$ 12.5x30 mm
17	1186323	PTFE FLAT GASKET $\varnothing$ 24x18x2 mm
18	1349352	TAP COUPLING
19	1348036	NUT $\varnothing$ 3/8" WRENCH 21x6mm
20	1250362	SPRING $\varnothing$ 10.8x30 mm
21	1186556	O-RING R6 EPDM
24	1186065	FLAT GASKET $\varnothing$ 12x10x1 mm PTFE
25	1449016	NOZZLE FOR STEAM $\varnothing$ 1/8" F 4 HOLES
27	1449332	WATER PIPE NOZZLE
29	1548019	COMPLETE STEAM TAP
30	1449860	COMPLETE STEAM PIPE $\varnothing$ 8 mm
31	1449857	COMPLETE WATER PIPE
31	1549039	COMPLETE WATER PIPE $\varnothing$ 8 mm

EXPERT-CM.COM.UA



## WATER INLET TAP

### CHIMAERA-EVOLUTION-LOLLO-REPLICA-REVOLUTION





# VIBIEMME



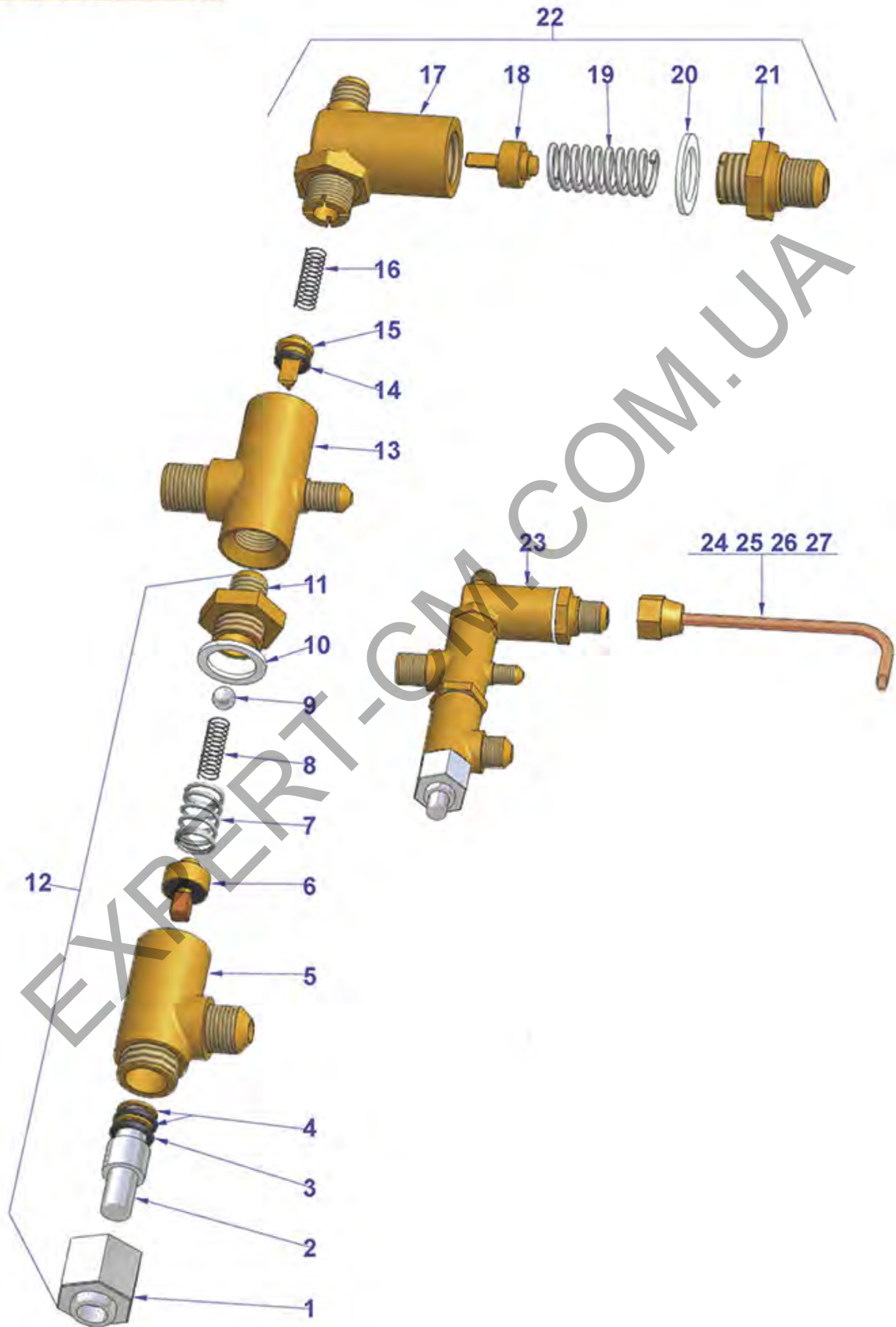
Position	LF code no.	Description
1	1358010	WATER INLET TAP
2	1720010	EXPANSION VALVE $\varnothing$ 1/4" M 8-12 bar
4	1449683	SILICONE HOSE $\varnothing$ 5x10 SHORE 60 - 10 m
5	1184006	LOW CYLINDER HEAD SCREW M4x12
6	1186612	O-RING 02025 VITON
7	1358013	NUT $\varnothing$ 3/8" F FOR DRAIN TAP
8	1324162	PIN FOR INLET TAP
12	1786286	O-RING R4 EPDM
13	1186311	NBR FLAT GASKET $\varnothing$ 13x4x4 mm
15	1186117	PTFE FLAT GASKET $\varnothing$ 26x21x2 mm
19	1186129	GASKET FLAT NBR $\varnothing$ 15/6x10 mm
20	1186131	GASKET HOLDER FOR TAP
21	1250349	SPRING $\varnothing$ 14.5x28 mm INLET TAP
22	1786295	GASKET ORM 0170-20 EPDM
25	1720011	TRIANGULAR NON-RETURN VALVE
26	1250202	SPRING $\varnothing$ 8x30 mm
27	1186314	PTFE FLAT GASKET $\varnothing$ 22x17x2 mm

EXPERT-CM.COM.UA



WATER INLET TAP

CUBO-DOSAPLUS-MINIMAX





# VIBIEMME



Position	LF code no.	Description
2	1324163	PIN FOR INLET TAP
3	1186318	O-RING 03043 EPDM
4	1786293	FLAT COPPER GASKET $\varnothing$ 14x11x1 mm
6	1523412	INLET VALVE
8	1250202	SPRING $\varnothing$ 8x30 mm
9	1323003	STAINLESS STEEL BALL $\varnothing$ 8 mm
10	1186323	PTFE FLAT GASKET $\varnothing$ 24x18x2 mm
11	1349352	TAP COUPLING
12	1348059	WATER INLET TAP
14	1186422	O-RING 0108 EPDM
15	1523023	TRIANGULAR NON-RETURN VALVE
16	1250202	SPRING $\varnothing$ 8x30 mm
17	1348051	INLET TAP BODY
18	1523453	COMPLETE DRAIN VALVE
19	1250515	SPRING $\varnothing$ 14x33 mm
20	1186117	PTFE FLAT GASKET $\varnothing$ 26x21x2 mm
23	1348381	WATER INLET TAP

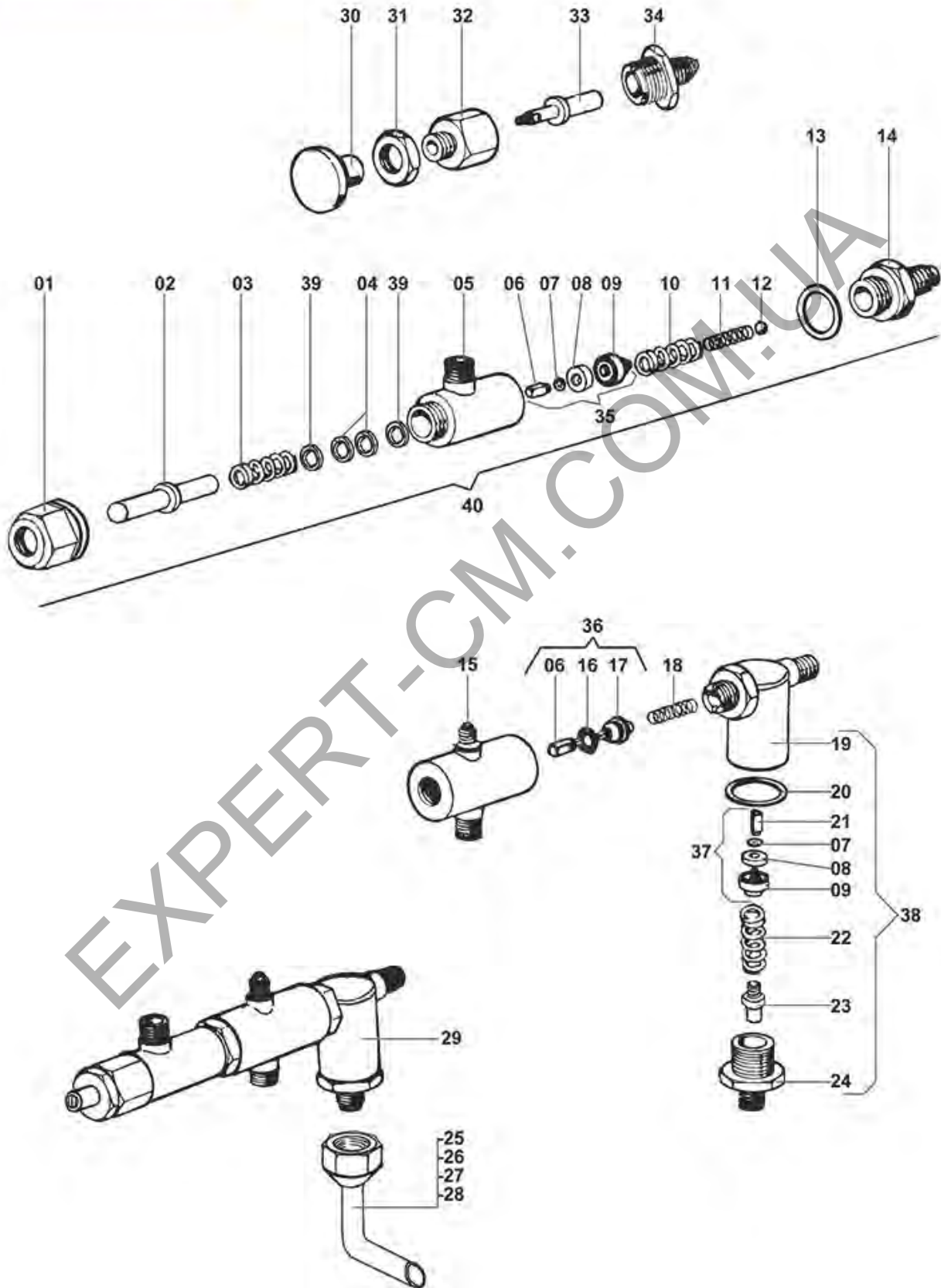
EXPERT-CM.COM.UA





## WATER INLET TAP

KOMETA-MERCURY-SILVER



VBM2202



# VIBIEMME



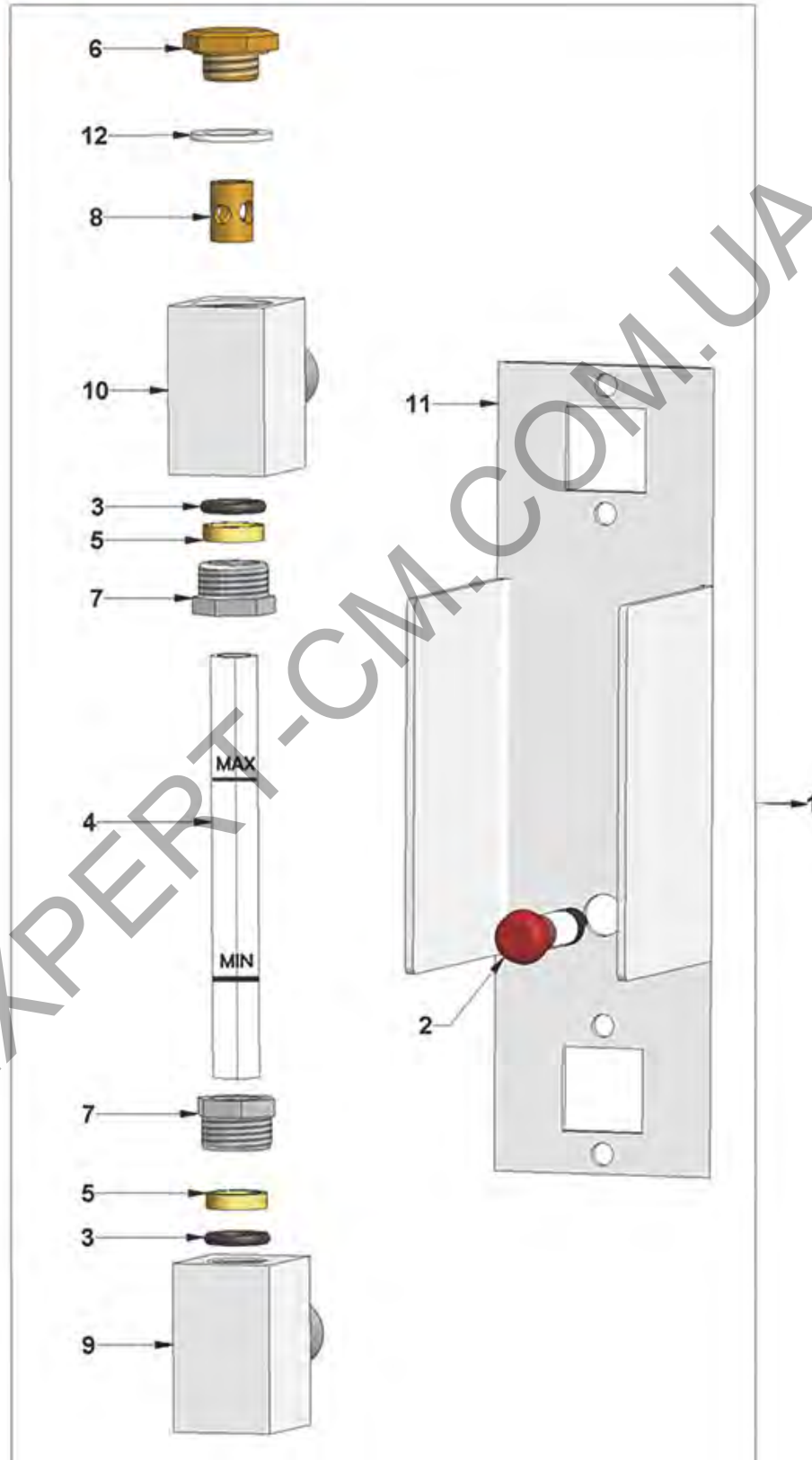
Position	LF code no.	Description
4	1186236	O-RING 03043 VITON
6	1324033	SQUARE PIN 12.1 mm 6x6 mm M3
7	1186330	WASHER FLAT BRASS $\varnothing$ 6.8x3.2x0.5 mm
8	1186311	NBR FLAT GASKET $\varnothing$ 13x4x4 mm
9	1186309	GASKET HOLDER BUSHING
10	1250157	TAP SPRING $\varnothing$ 12.5x30 mm
11	1250202	SPRING $\varnothing$ 8x30 mm
12	1323003	STAINLESS STEEL BALL $\varnothing$ 8 mm
13	1186323	PTFE FLAT GASKET $\varnothing$ 24x18x2 mm
14	1349352	TAP COUPLING
16	1186422	O-RING 0108 EPDM
18	1250202	SPRING $\varnothing$ 8x30 mm
19	1348051	INLET TAP BODY
20	1186117	PTFE FLAT GASKET $\varnothing$ 26x21x2 mm
22	1250515	SPRING $\varnothing$ 14x33 mm
29	1348381	WATER INLET TAP
30	1241334	WATER INLET TAP KNOB
31	1348036	NUT $\varnothing$ 3/8" WRENCH 21x6mm
32	1349353	TAP COUPLING
33	1324044	TAP SPINDLE
35	1523412	INLET VALVE
36	1523023	TRIANGULAR NON-RETURN VALVE
37	1523453	COMPLETE DRAIN VALVE
39	1786293	FLAT COPPER GASKET $\varnothing$ 14x11x1 mm
40	1348059	WATER INLET TAP

EXPERT-CM.COM.UA



LEVEL

CUBO-DOSAPLUS-EVOLUTION  
KOMETA-MERCURY-MINIMAX  
REPLICA-REVOLUTION-SILVER



VBM3002



# VIBIEMME



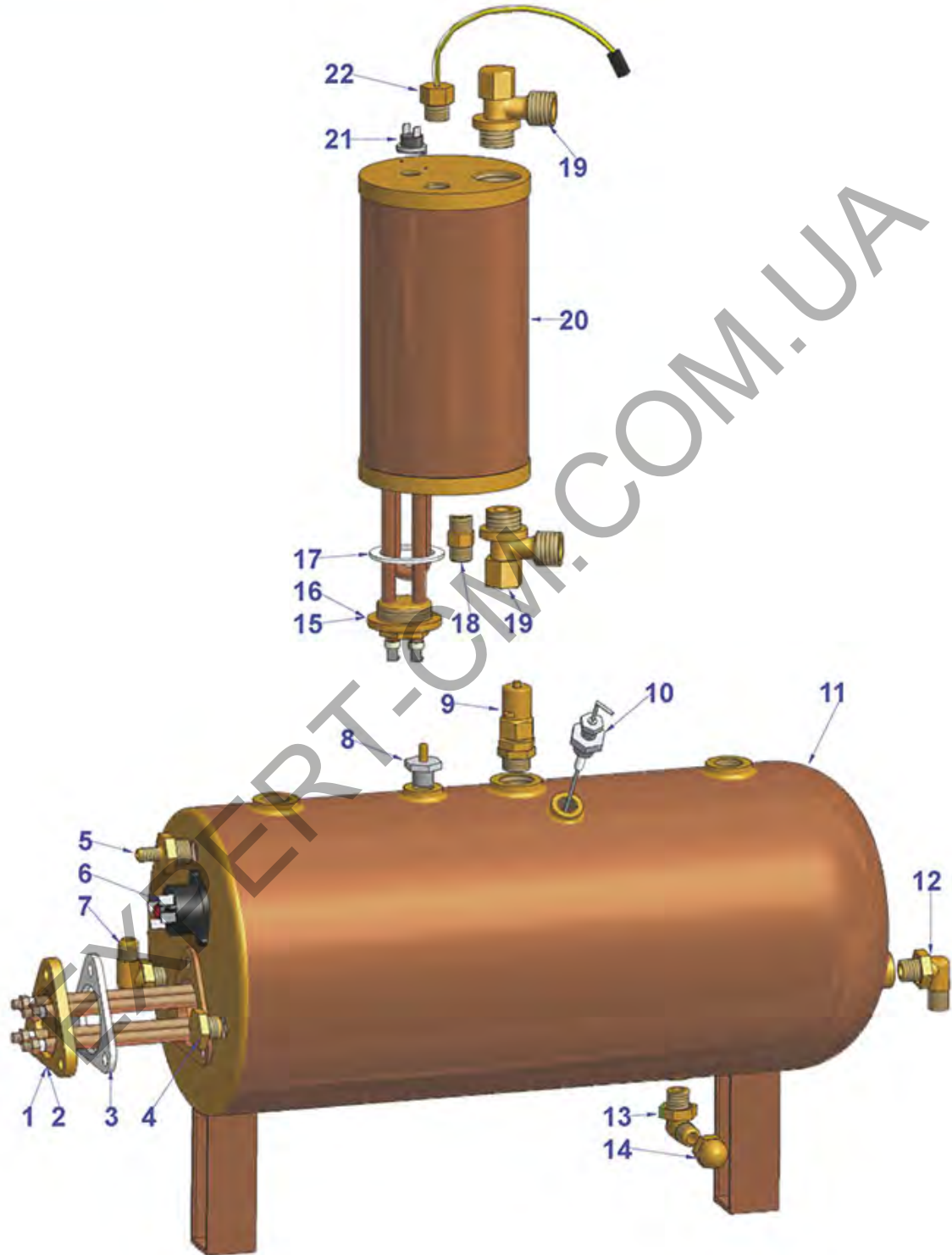
Position	LF code no.	Description
2	1221060	RED INDICATOR LIGHT 250V
3	1186236	O-RING 03043 VITON
4	1520546	LEVEL GLASS $\varnothing$ 11x140 mm
5	1186420	STUFFING GLAND RING $\varnothing$ 15x11.5x3 mm
6	1439061	CAP $\varnothing$ 1/4" M HEIGHT 12 mm NUT 19 mm
7	1349070	FITTING $\varnothing$ 3/8" M HOLE $\varnothing$ 12 mm
12	1186982	FLAT PTFE GASKET $\varnothing$ 17x13x2 mm

EXPERT-CM.COM.UA



BOILER CHIMAERA-REPLICA

CHIMAERA-REPLICA



VBM4002

Positions without LF code no.: upon request



# VIBIEMME



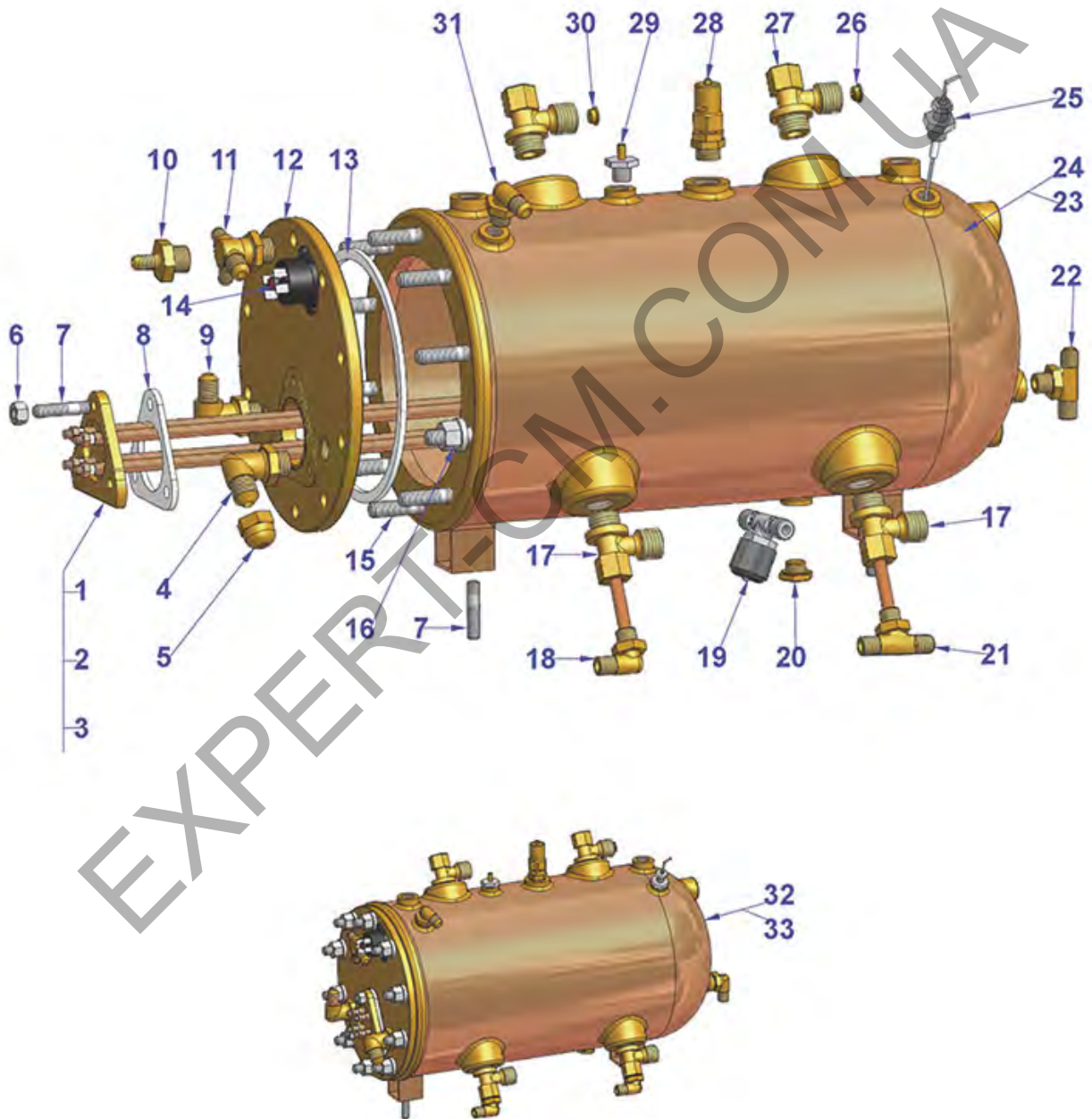
Position	LF code no.	Description
1	1755280	HEATING ELEMENT 3500W 220V
3	1186634	TRIANGULAR GASKET FOR HEATING ELEMENT
4	1439001	CAP $\varnothing$ 16 mm FOR BREW GROUP
6	1443078	CONTACT THERMOSTAT 130°C 10A 250V
8	1523534	BOILER VALVE $\varnothing$ 1/4"M
9	1515019	BOILER VALVE $\varnothing$ 1/2"M
10	3341011	LEVEL PROBE $\varnothing$ 1/4"M-140 mm
13	1349002	ELBOW FITTING $\varnothing$ 1/4"M-1/4"M
15	1755284	HEATING ELEMENT 800W 230V
17	1186627	CARBO FLAT GASKET $\varnothing$ 41x33x3 mm
19	1349014	BOILER FITTING $\varnothing$ 1/2"M-1/2"M
21	1443077	CONTACT THERMOSTAT 130°C 16A 250V
22	1397059	TEMPERATURE PROBE $\varnothing$ 1/4"M

EXPERT-CM.COM.UA



BOILER CUBO-REPLICA

CUBO-REPLICA





# VIBIEMME



Position	LF code no.	Description
1	1755003	HEATING ELEMENT 5000W 230V
1	1755228	HEATING ELEMENT 4000W 230V
2	1755277	HEATING ELEMENT 4500W 380V
2	1755282	HEATING ELEMENT 3500W 380V
6	1528621	HEXAGONAL NUT M8 SHORT M8
8	1186634	TRIANGULAR GASKET FOR HEATING ELEMENT
13	1186566	BOILER GASKET $\varnothing$ 165x150x3 mm
14	1443078	CONTACT THERMOSTAT 130°C 10A 250V
17	1349278	BOILER FITTING $\varnothing$ 1/2"M-1/2"M-1/4"F
18	1550006	INJECTOR PIPE $\varnothing$ 1/4"M - 65 mm
20	1439061	CAP $\varnothing$ 1/4"M HEIGHT 12 mm NUT 19 mm
21	1550007	INJECTOR PIPE $\varnothing$ 1/4"M-1/4"M-1/4"M
25	3341011	LEVEL PROBE $\varnothing$ 1/4"M-140 mm
27	1349014	BOILER FITTING $\varnothing$ 1/2"M-1/2"M
28	1515020	BOILER VALVE $\varnothing$ 1/2"M
29	1523534	BOILER VALVE $\varnothing$ 1/4"M
31	1349002	ELBOW FITTING $\varnothing$ 1/4"M-1/4"M

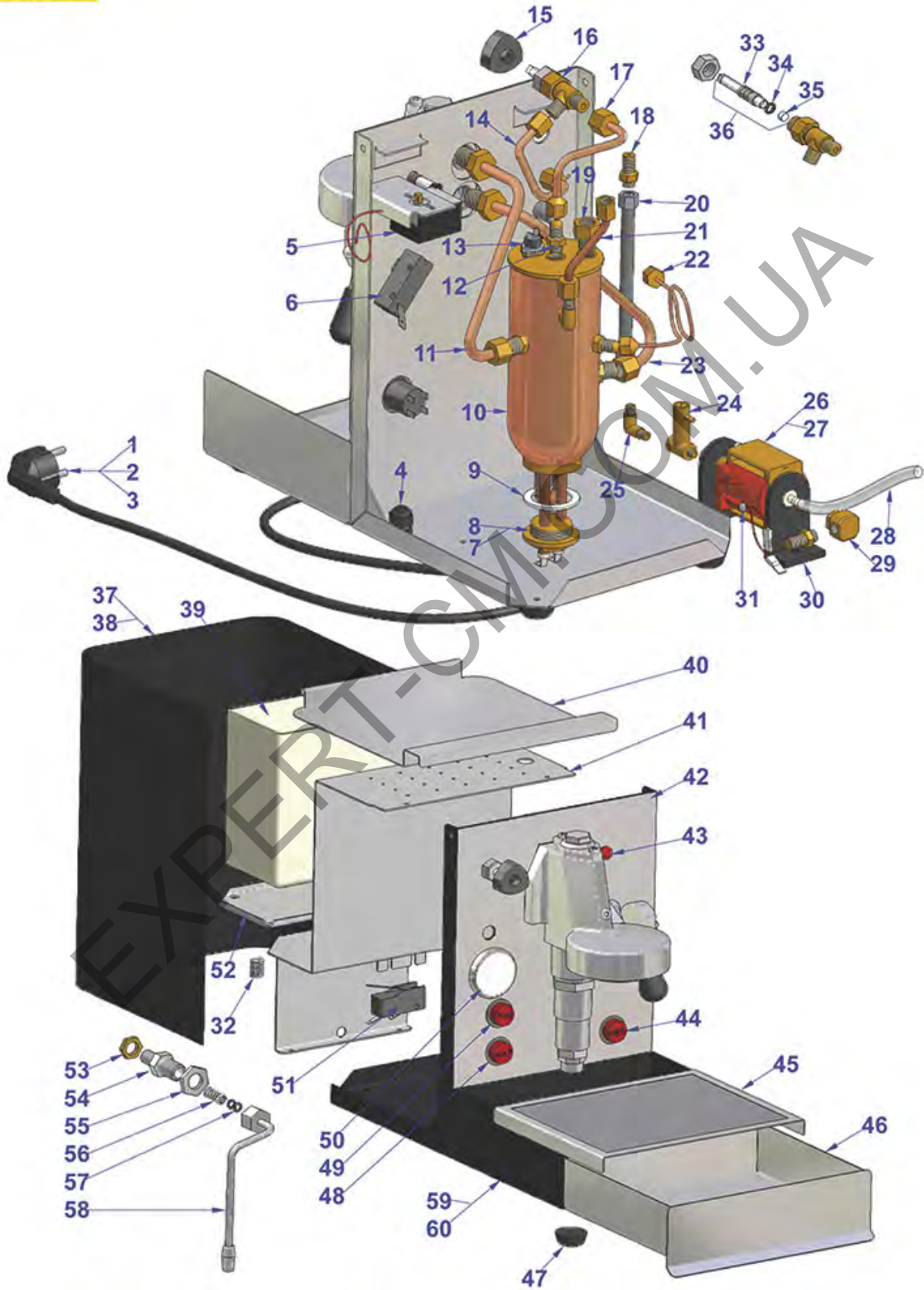
EXPERT-CM.COM.UA





## BOILER DOMOBAR

DOMOBAR



VBM4202

Positions without LF code no.: upon request



# VIBIEMME



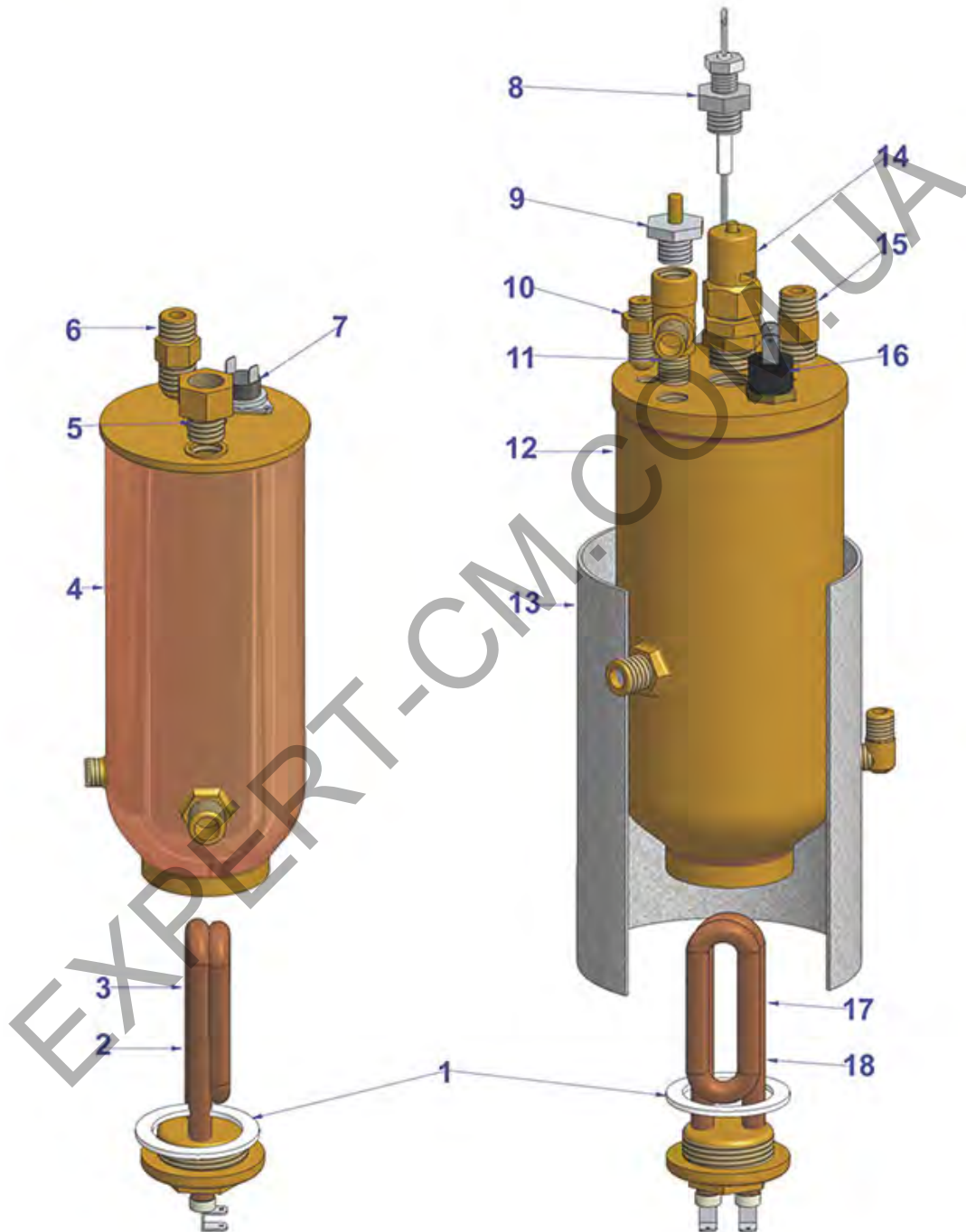
Position	LF code no.	Description
5	1444049	SINGLE-PHASE THERMOSTAT TR/86
6	3240419	MICROSWITCH PIZZATO MF09
7	1755348	HEATING ELEMENT 1350W 220V
8	1755637	HEATING ELEMENT 1400W 110V
9	1186627	CARBO FLAT GASKET $\varnothing$ 41x33x3 mm
13	1443076	CONTACT THERMOSTAT 150°C 16A 250V
15	1241182	WATER/STEAM TAP KNOB
16	1548013	STEAM TAP
19	1349275	BULB SHEATH FITTING $\varnothing$ 1/4"F - 12M
24	1349276	BYPASS FITTINGS $\varnothing$ 1/8"M-1/8"F
25	1349274	ELBOW FITTING $\varnothing$ 1/8"M-1/8"M
26	1122735	VIBRATORY PUMP EX5 48W 230V 50Hz
27	1122601	VIBRATORY PUMP EX5 41W 120V 60Hz
28	1449683	SILICONE HOSE $\varnothing$ 5x10 SHORE 60 - 10 m
30	1331023	SQUARE DAMPER EX-EP-EK-EA
34	1186556	O-RING R6 EPDM
35	1186834	BLIND GASKET $\varnothing$ 7x2 mm PTFE
39	1680002	WATER CONTAINER
43	1221060	RED INDICATOR LIGHT 250V
44	3319948	RED BIPOLAR SWITCH 16A 250V
50	1245001	PUMP PRESSURE GAUGE $\varnothing$ 41 mm 0÷16 bar
50	1245074	PUMP PRESSURE GAUGE $\varnothing$ 41 mm 0÷16 bar
51	1240805	MICROSWITCH G26 16A 250V
55	1348036	NUT $\varnothing$ 3/8" WRENCH 21x6mm
56	1250362	SPRING $\varnothing$ 10.8x30 mm
57	1186556	O-RING R6 EPDM

EXPERT-CM.COM.UA



BOILER DOMOBAR JUNIOR

DOMOBAR JUNIOR





# VIBIEMME



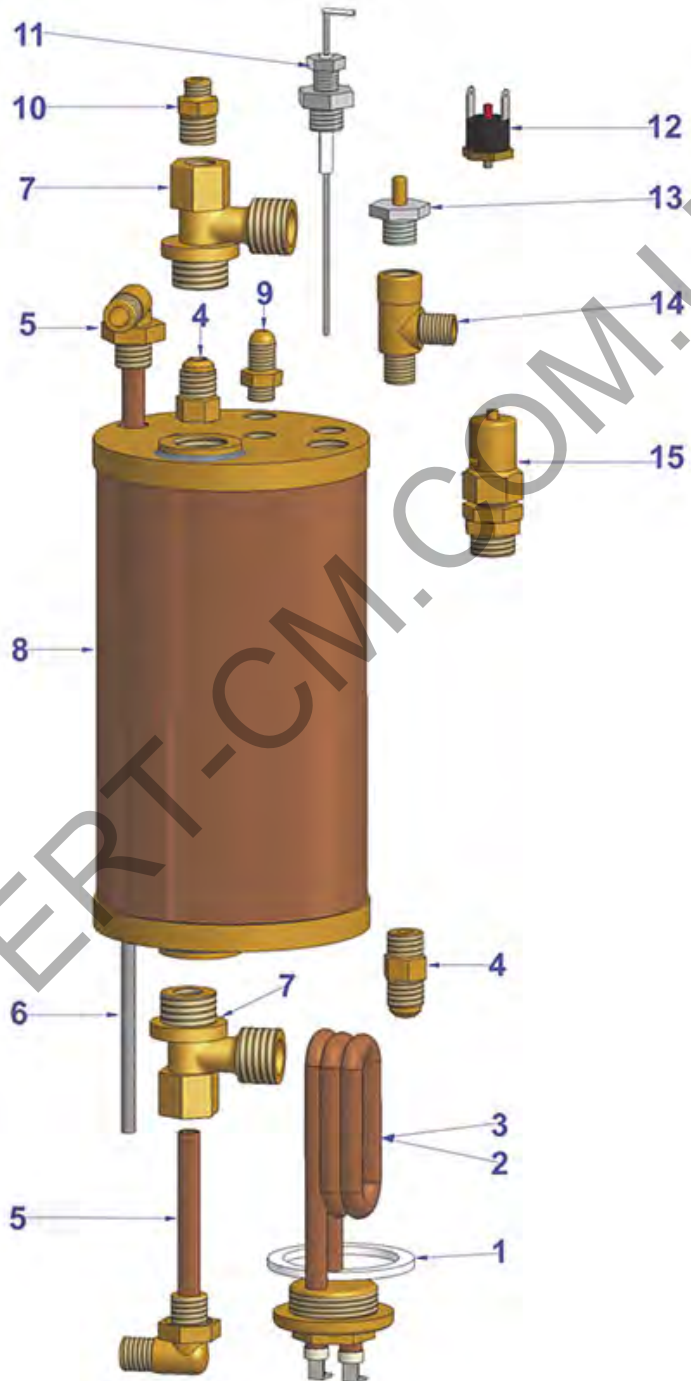
Position	LF code no.	Description
1	1186627	CARBO FLAT GASKET $\varnothing$ 41x33x3 mm
2	1755281	HEATING ELEMENT 600W 230V
5	1349275	BULB SHEATH FITTING $\varnothing$ 1/4" F - 12M
7	1443076	CONTACT THERMOSTAT 150°C 16A 250V
8	3341011	LEVEL PROBE $\varnothing$ 1/4" M-140 mm
9	1523534	BOILER VALVE $\varnothing$ 1/4" M
14	1523021	BOILER VALVE $\varnothing$ 3/8" M
16	1443002	CONTACT THERMOSTAT 165°C M4
17	1755278	HEATING ELEMENT 1200W 230V

EXPERT-CM.COM.UA



BOILER DOMOBAR JUNIOR

DOMOBAR JUNIOR





# VIBIEMME



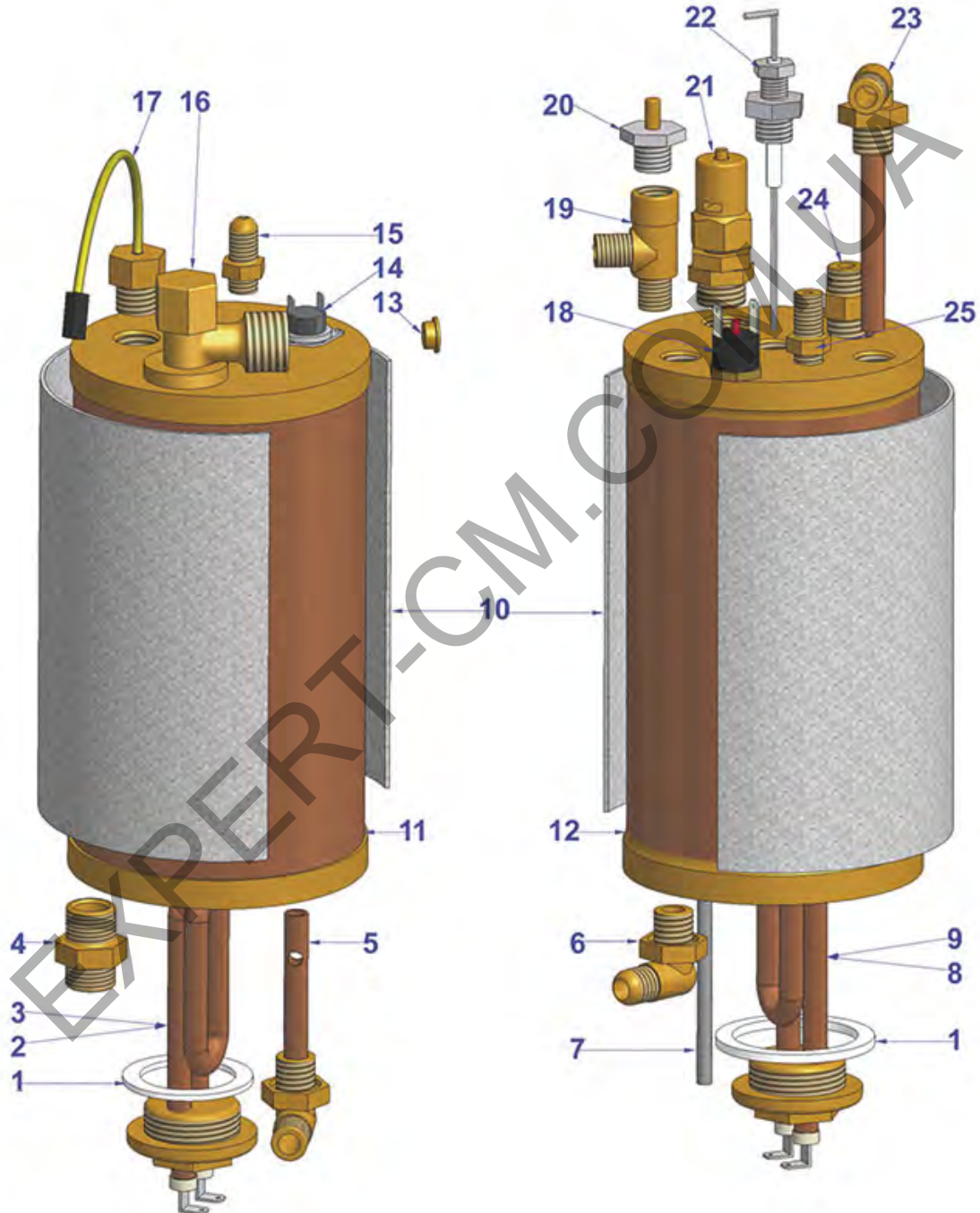
Position	LF code no.	Description
1	1186623	PTFE FLAT GASKET $\varnothing$ 53x43x3 mm
2	1755285	HEATING ELEMENT 1600W 230V
7	1349278	BOILER FITTING $\varnothing$ 1/2"M-1/2"M-1/4"F
11	3341011	LEVEL PROBE $\varnothing$ 1/4"M-140 mm
12	1443002	CONTACT THERMOSTAT 165°C M4
13	1523534	BOILER VALVE $\varnothing$ 1/4"M
15	1523021	BOILER VALVE $\varnothing$ 3/8"M

EXPERT-CM.COM.UA



BOILR DOMOBAR SUPER

DOMOBAR SUPER



VBM4502

Positions without LF code no.: upon request



# VIBIEMME



Position	LF code no.	Description
1	1186627	CARBO FLAT GASKET $\varnothing$ 41x33x3 mm
2	1755284	HEATING ELEMENT 800W 230V
6	1349002	ELBOW FITTING $\varnothing$ 1/4"M-1/4"M
8	1755278	HEATING ELEMENT 1200W 230V
14	1443077	CONTACT THERMOSTAT 130°C 16A 250V
16	1349014	BOILER FITTING $\varnothing$ 1/2"M-1/2"M
17	1397059	TEMPERATURE PROBE $\varnothing$ 1/4"M
18	1443002	CONTACT THERMOSTAT 165°C M4
20	1523534	BOILER VALVE $\varnothing$ 1/4"M
21	1523021	BOILER VALVE $\varnothing$ 3/8"M
22	3341011	LEVEL PROBE $\varnothing$ 1/4"M-140 mm

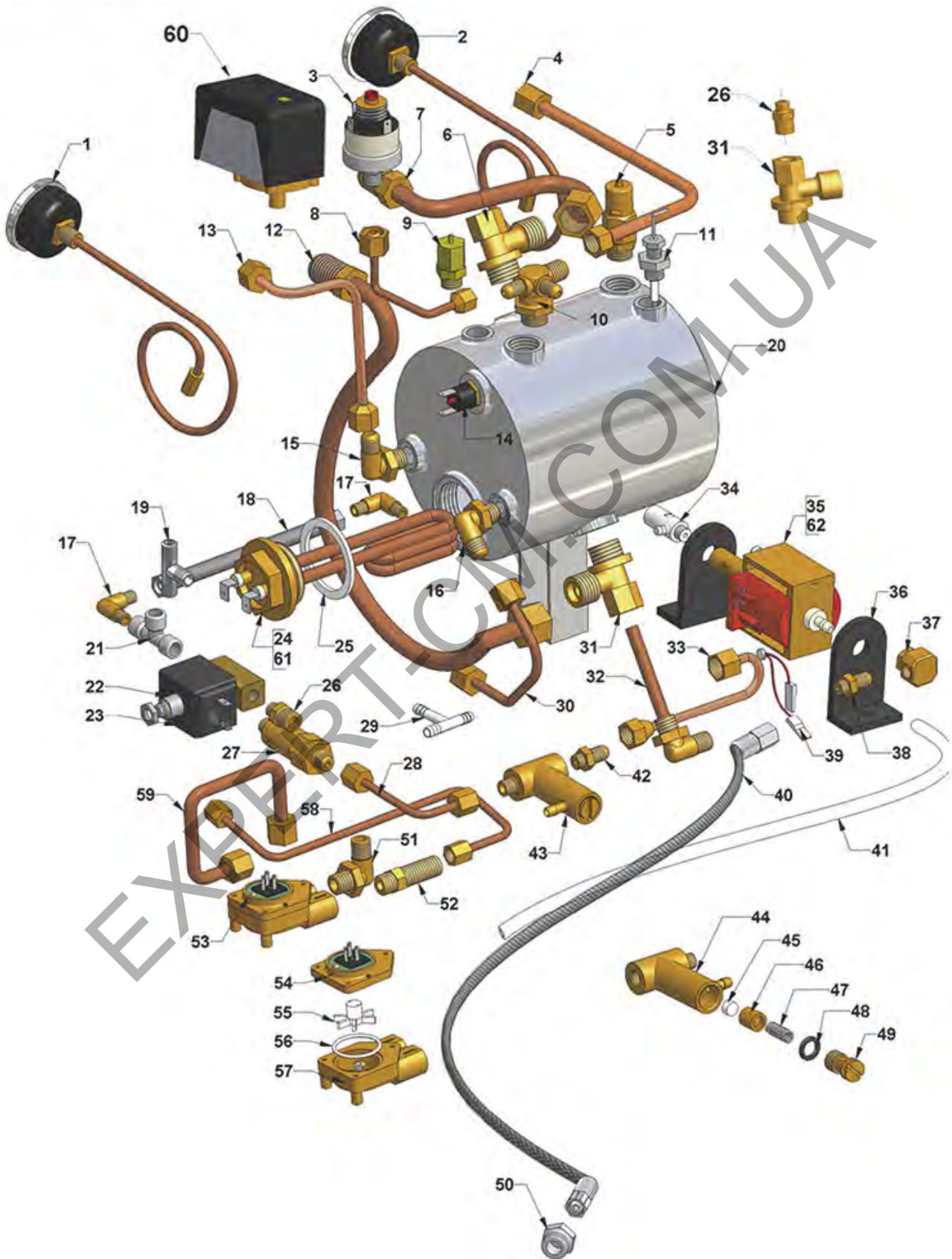
EXPERT-CM.COM.UA





## BOILER DOMOBAR SUPER

### DOMOBAR SUPER





# VIBIEMME



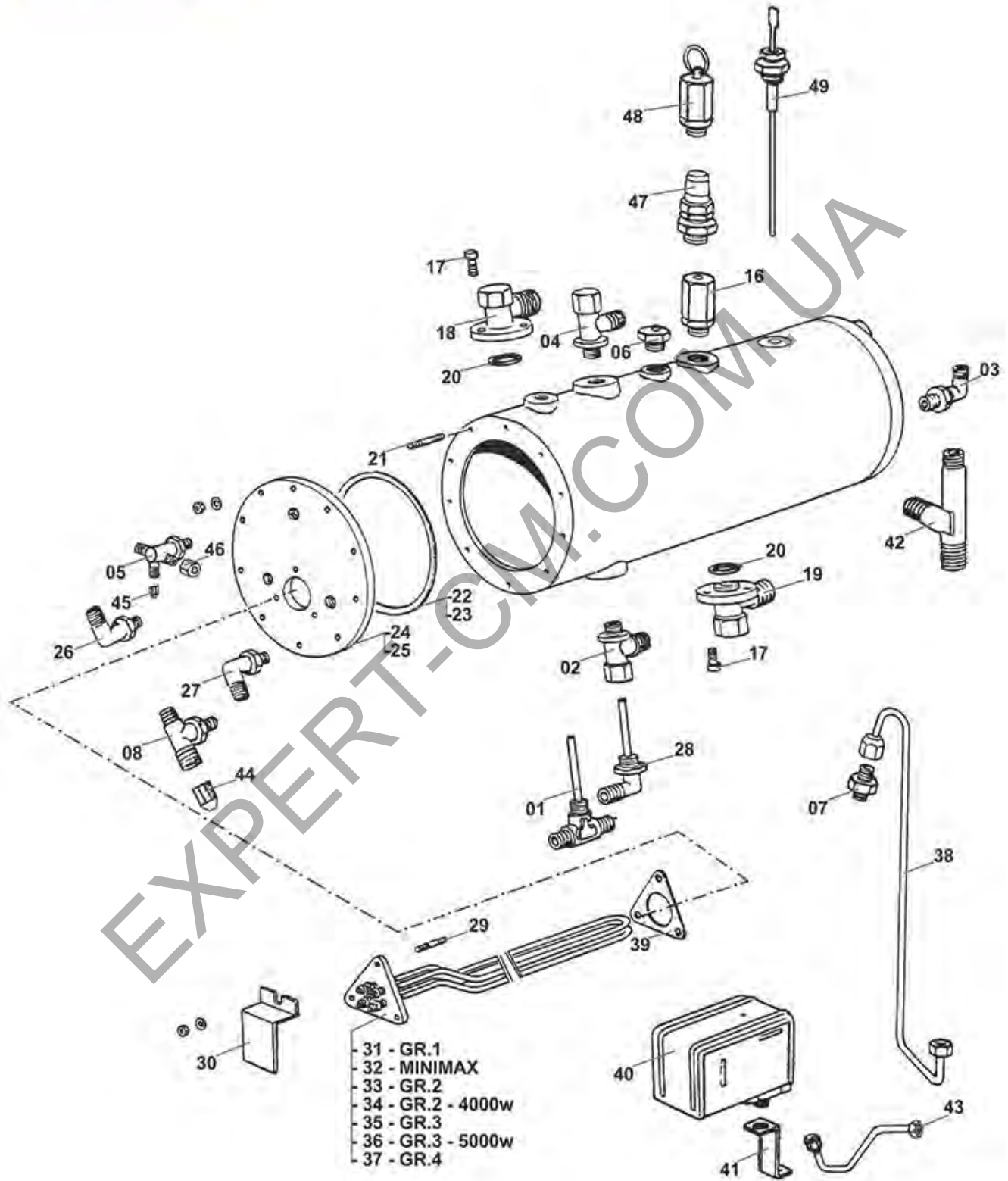
Position	LF code no.	Description
1	1245001	PUMP PRESSURE GAUGE $\varnothing$ 41 mm 0÷16 bar
1	1245072	PUMP PRESSURE GAUGE $\varnothing$ 40 mm 0÷16 bar
2	1245002	BOILER PRESSURE GAUGE $\varnothing$ 41 mm 0÷2.5 bar
2	1245073	BOILER PRESSURE GAUGE $\varnothing$ 40 mm 0÷4 bar
3	1320025	PRESSURE SWITCH PS14.01 0.2-0.9 BAR 1/4"
5	1523021	BOILER VALVE $\varnothing$ 3/8"M
6	1349014	BOILER FITTING $\varnothing$ 1/2"M-1/2"M
9	1523534	BOILER VALVE $\varnothing$ 1/4"M
11	3341011	LEVEL PROBE $\varnothing$ 1/4"M-140 mm
15	1349002	ELBOW FITTING $\varnothing$ 1/4"M-1/4"M
17	1349274	ELBOW FITTING $\varnothing$ 1/8"M-1/8"M
23	1120260	SOLENOID VALVE ODE 2 WAY $\varnothing$ 1/8" 230V 8W
24	1755279	HEATING ELEMENT 1800W 230V
25	1186623	PTFE FLAT GASKET $\varnothing$ 53x43x3 mm
27	1523028	NON-RETURN VALVE $\varnothing$ 1/8"M-1/8"M
31	1349278	BOILER FITTING $\varnothing$ 1/2"M-1/2"M-1/4"F
32	1550006	INJECTOR PIPE $\varnothing$ 1/4"M - 65 mm
34	1331019	VALVE S2
35	1122601	VIBRATORY PUMP EX5 41W 120V 60Hz
35	1122735	VIBRATORY PUMP EX5 48W 230V 50Hz
36	1331023	SQUARE DAMPER EX-EP-EK-EA
43	1349276	BYPASS FITTINGS $\varnothing$ 1/8"M-1/8"F
45	1786284	BLIND GASKET $\varnothing$ 10x5 mm SILICONE
48	1186236	O-RING 03043 VITON
53	1455067	VOLUMETRIC FLOW METER GICAR
60	1320531	PRESSURE SWITCH P302/6 3-POLES 30A

EXPERT-CM.COM.UA



## BOILER DOSAPLUS-SILVER

DOSAPLUS-SILVER



VBM4702

Positions without LF code no.: upon request



# VIBIEMME



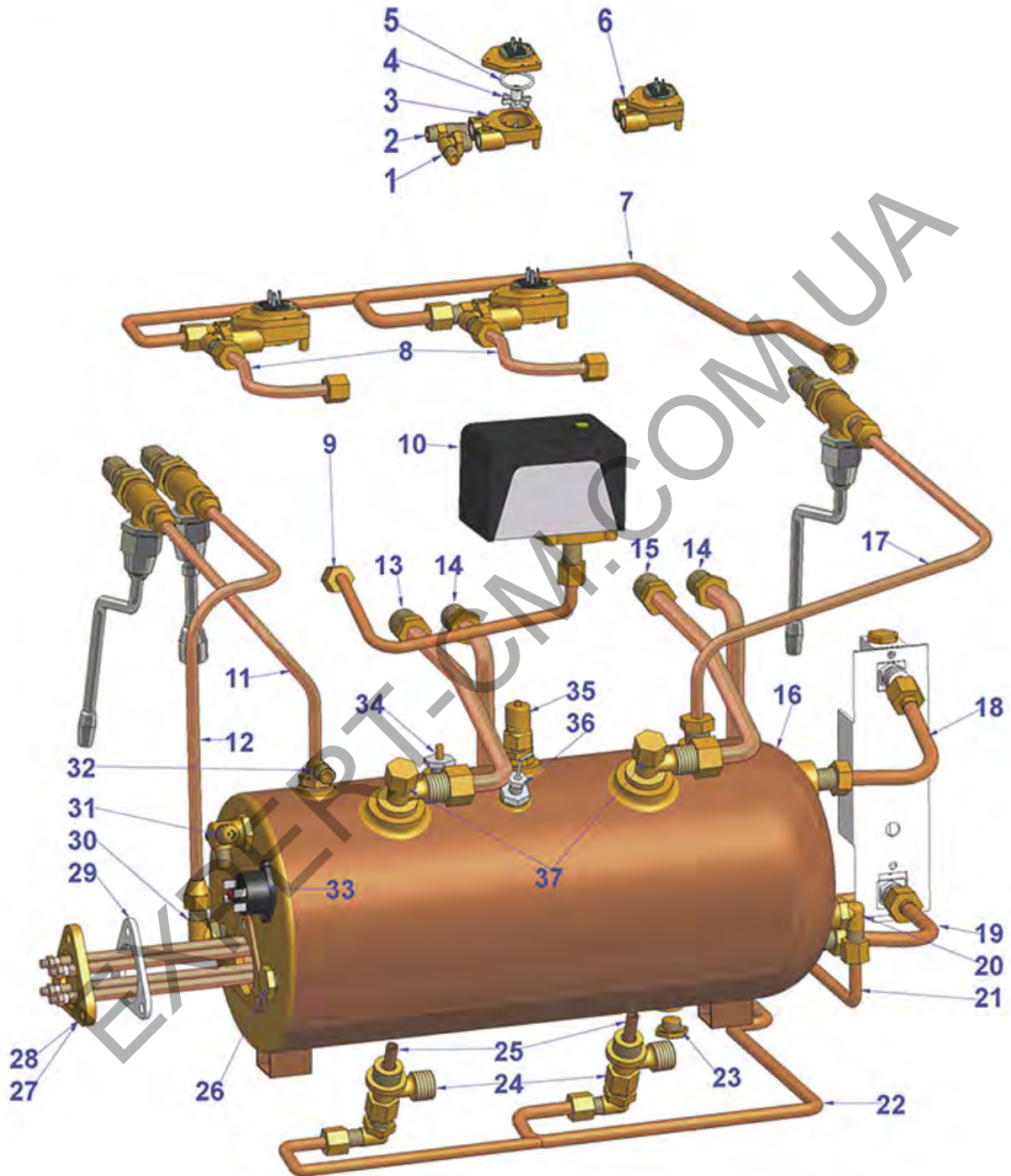
Position	LF code no.	Description
1	1550007	INJECTOR PIPE $\varnothing$ 1/4"M-1/4"M-1/4"M
2	1349278	BOILER FITTING $\varnothing$ 1/2"M-1/2"M-1/4"F
4	1349014	BOILER FITTING $\varnothing$ 1/2"M-1/2"M
6	1523534	BOILER VALVE $\varnothing$ 1/4"M
16	1515020	BOILER VALVE $\varnothing$ 1/2"M
22	1186566	BOILER GASKET $\varnothing$ 165x150x3 mm
23	1786290	BOILER GASKET $\varnothing$ 141x127x4 mm
28	1550006	INJECTOR PIPE $\varnothing$ 1/4"M - 65 mm
32	1755283	HEATING ELEMENT 2700W 230V
34	1755228	HEATING ELEMENT 4000W 230V
36	1755003	HEATING ELEMENT 5000W 230V
39	1186634	TRIANGULAR GASKET FOR HEATING ELEMENT
40	1320531	PRESSURE SWITCH P302/6 3-POLES 30A
47	1515019	BOILER VALVE $\varnothing$ 1/2"M
49	3341011	LEVEL PROBE $\varnothing$ 1/4"M-140 mm

EXPERT-CM.COM.UA



BOILER EVOLUTION-MERCURY-REVOLUTION

EVOLUTION-MERCURY-REVOLUTION





# VIBIEMME



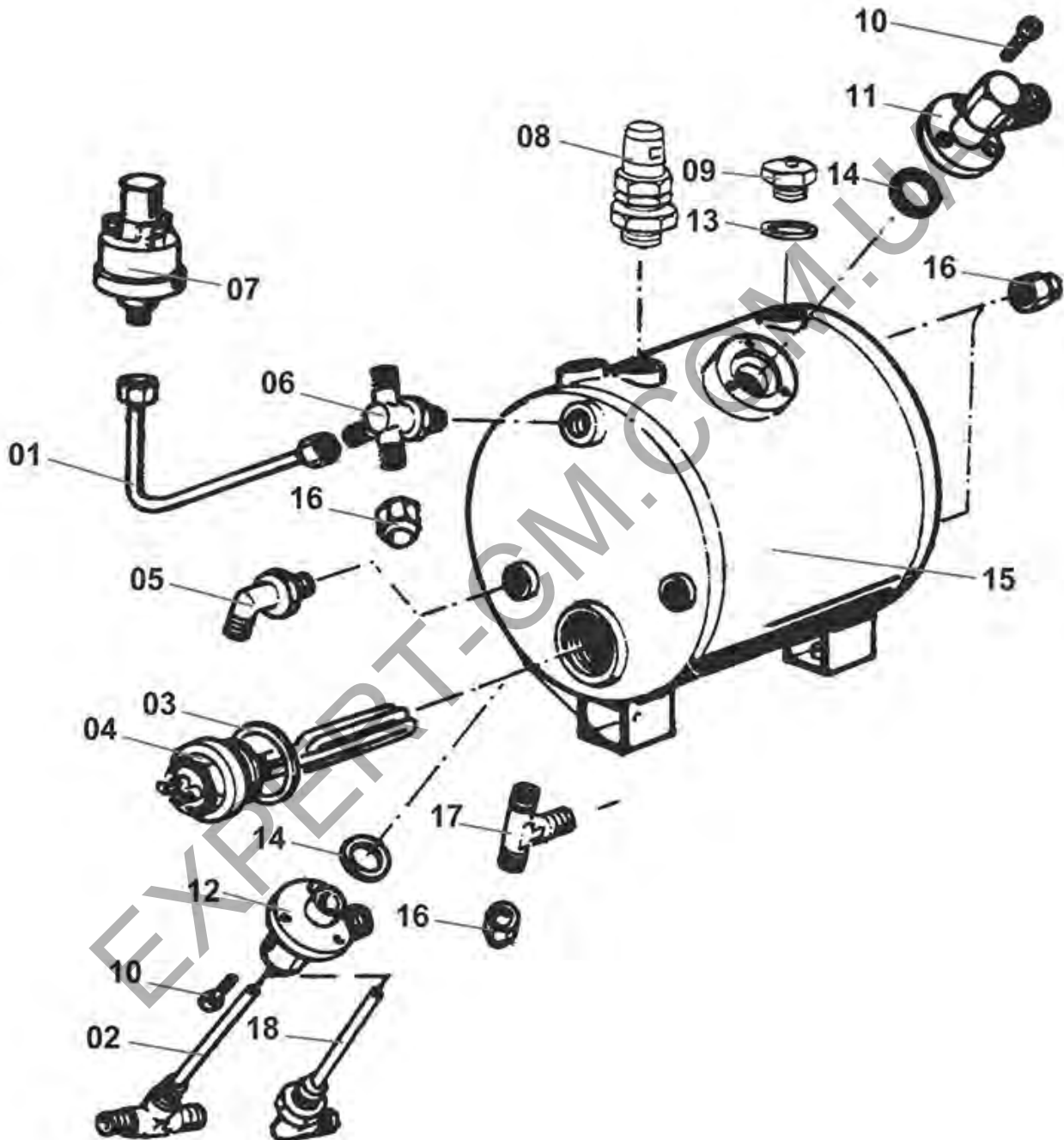
Position	LF code no.	Description
6	1455067	VOLUMETRIC FLOW METER GICAR
10	1320531	PRESSURE SWITCH P302/6 3-POLES 30A
23	1439061	CAP $\varnothing$ 1/4"M HEIGHT 12 mm NUT 19 mm
24	1349278	BOILER FITTING $\varnothing$ 1/2"M-1/2"M-1/4"F
25	1550006	INJECTOR PIPE $\varnothing$ 1/4"M - 65 mm
26	1439001	CAP $\varnothing$ 16 mm FOR BREW GROUP
27	1755003	HEATING ELEMENT 5000W 230V
27	1755228	HEATING ELEMENT 4000W 230V
28	1755277	HEATING ELEMENT 4500W 380V
28	1755282	HEATING ELEMENT 3500W 380V
29	1186634	TRIANGULAR GASKET FOR HEATING ELEMENT
33	1443078	CONTACT THERMOSTAT 130°C 10A 250V
34	1523534	BOILER VALVE $\varnothing$ 1/4"M
35	1515019	BOILER VALVE $\varnothing$ 1/2"M
36	3341011	LEVEL PROBE $\varnothing$ 1/4"M-140 mm
37	1349014	BOILER FITTING $\varnothing$ 1/2"M-1/2"M

EXPERT-CM.COM.UA



## BOILER KOMETA

KOMETA



VBM4902



# VIBIEMME



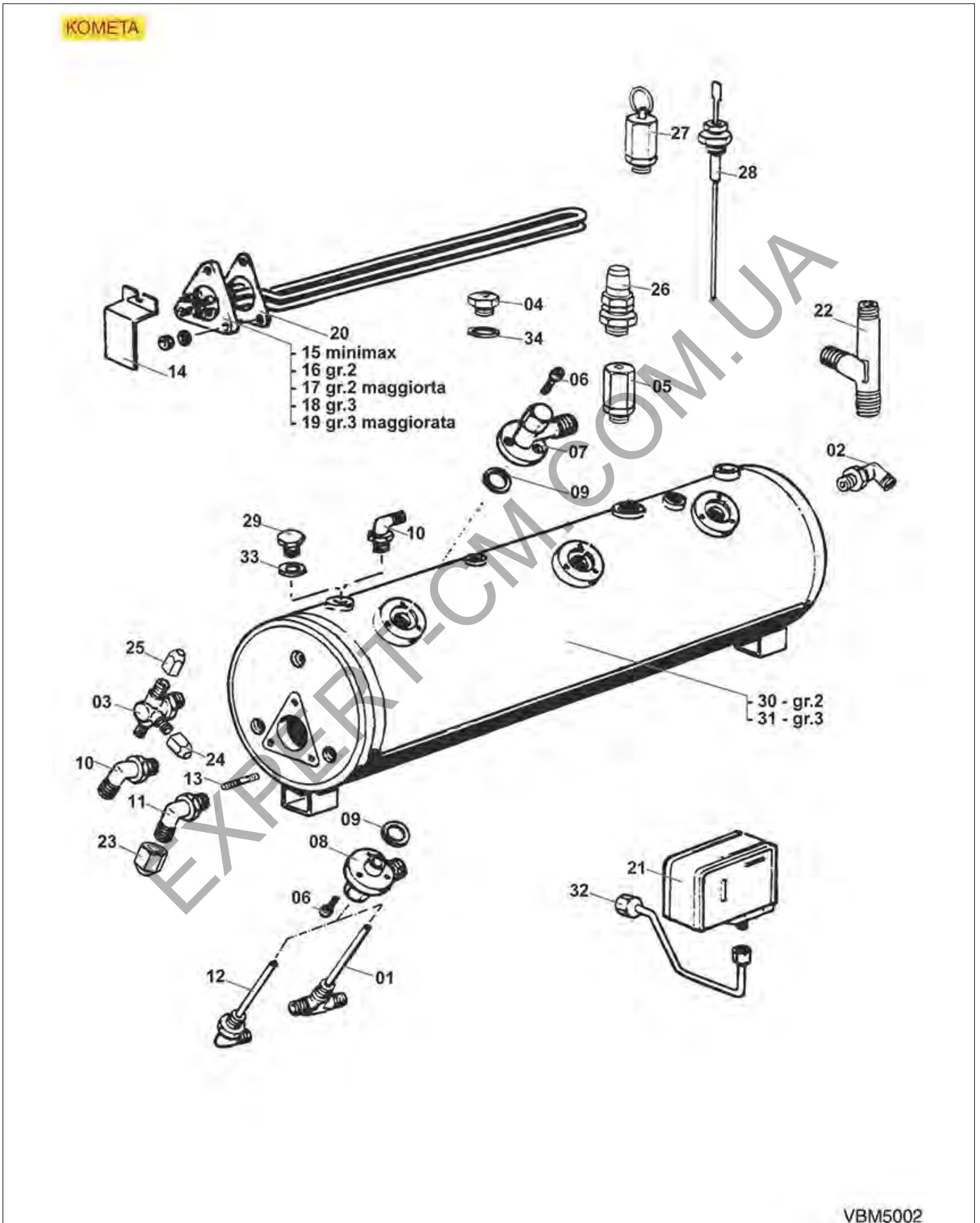
Position	LF code no.	Description
2	1550007	INJECTOR PIPE $\varnothing$ 1/4"M-1/4"M-1/4"M
3	1186623	PTFE FLAT GASKET $\varnothing$ 53x43x3 mm
4	1755279	HEATING ELEMENT 1800W 230V
5	1349002	ELBOW FITTING $\varnothing$ 1/4"M-1/4"M
7	1320025	PRESSURE SWITCH PS14.01 0.2-0.9 BAR 1/4"
8	1523021	BOILER VALVE $\varnothing$ 3/8"M
9	1523534	BOILER VALVE $\varnothing$ 1/4"M
14	1186623	PTFE FLAT GASKET $\varnothing$ 53x43x3 mm
18	1550006	INJECTOR PIPE $\varnothing$ 1/4"M - 65 mm

EXPERT-CM.COM.UA





## BOILER KOMETA





# VIBIEMME



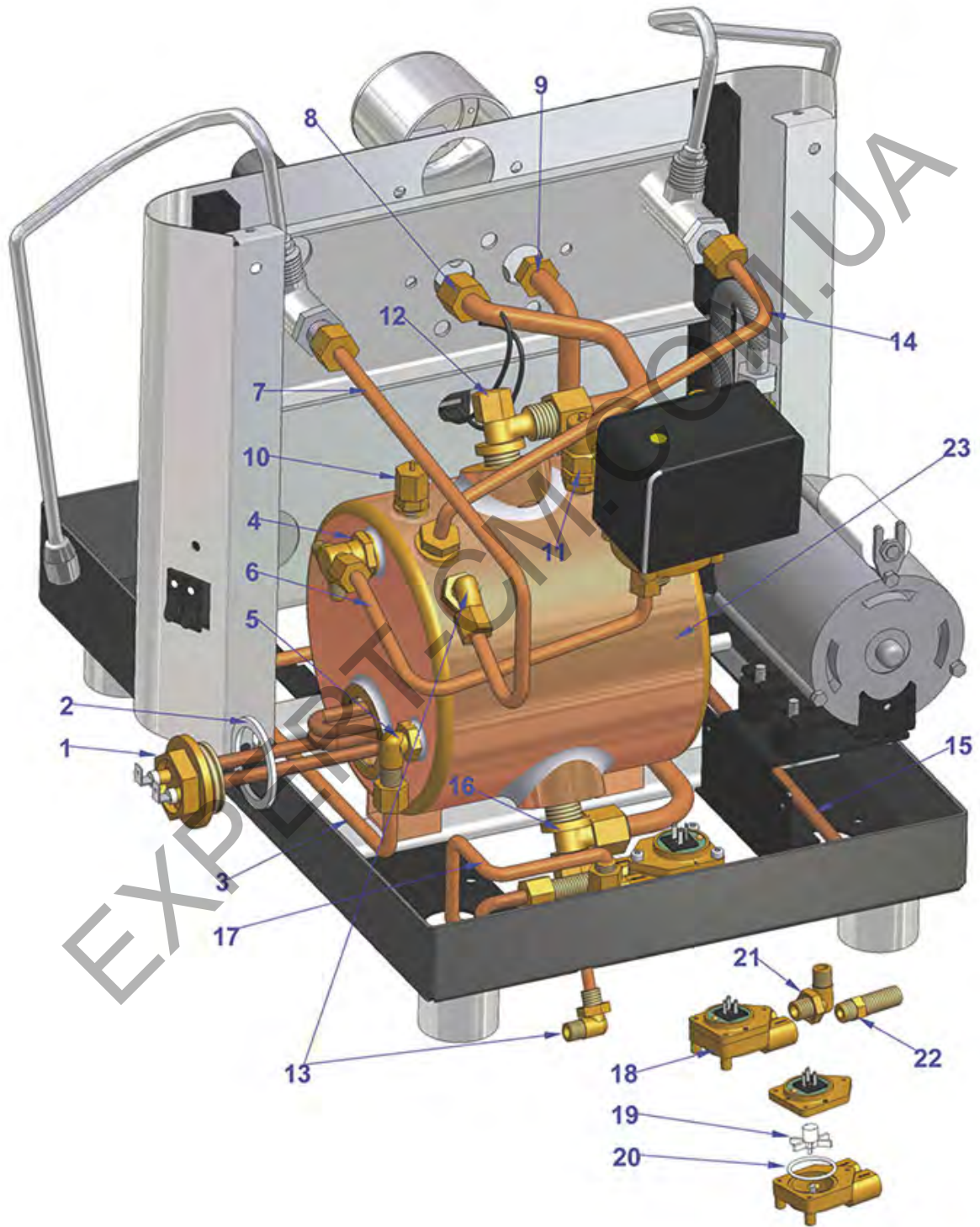
Position	LF code no.	Description
1	1550007	INJECTOR PIPE $\varnothing$ 1/4"M-1/4"M-1/4"M
2	1349002	ELBOW FITTING $\varnothing$ 1/4"M-1/4"M
4	1523534	BOILER VALVE $\varnothing$ 1/4"M
5	1515020	BOILER VALVE $\varnothing$ 1/2"M
12	1550006	INJECTOR PIPE $\varnothing$ 1/4"M - 65 mm
15	1755283	HEATING ELEMENT 2700W 230V
17	1755228	HEATING ELEMENT 4000W 230V
19	1755003	HEATING ELEMENT 5000W 230V
20	1186634	TRIANGULAR GASKET FOR HEATING ELEMENT
21	1320531	PRESSURE SWITCH P302/6 3-POLES 30A
26	1515019	BOILER VALVE $\varnothing$ 1/2"M
28	3341011	LEVEL PROBE $\varnothing$ 1/4"M-140 mm
29	1439001	CAP $\varnothing$ 16 mm FOR BREW GROUP
33	1186326	PTFE FLAT GASKET $\varnothing$ 22x16x2 mm

EXPERT-CM.COM.UA



## BOILER LOLLO

LOLLO



VBM5102



# VIBIEMME



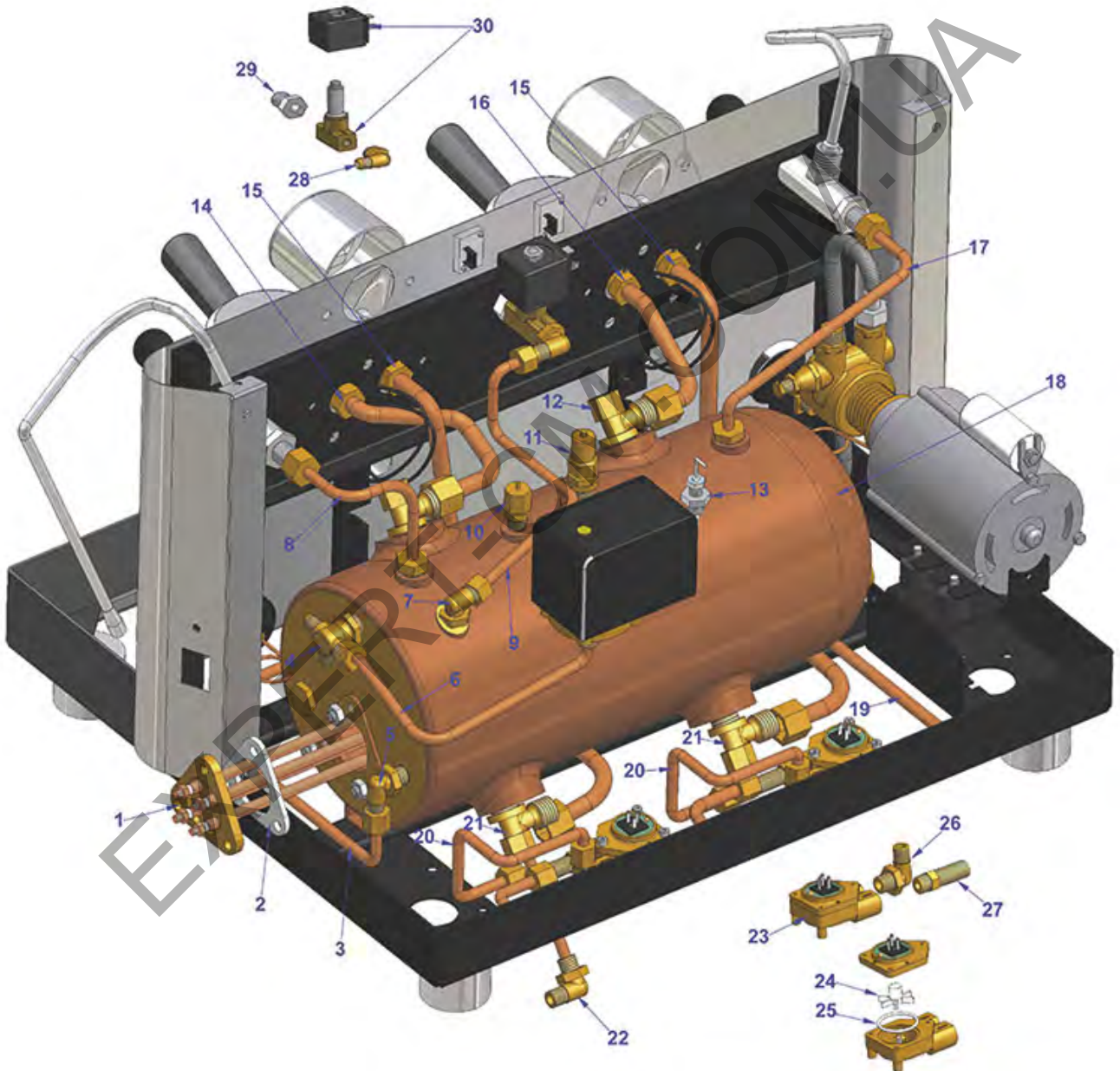
Position	LF code no.	Description
1	1755279	HEATING ELEMENT 1800W 230V
2	1186623	PTFE FLAT GASKET $\varnothing$ 53x43x3 mm
10	1523534	BOILER VALVE $\varnothing$ 1/4"M
11	1523021	BOILER VALVE $\varnothing$ 3/8"M
12	1349014	BOILER FITTING $\varnothing$ 1/2"M-1/2"M
16	1349278	BOILER FITTING $\varnothing$ 1/2"M-1/2"M-1/4"F
18	1455067	VOLUMETRIC FLOW METER GICAR

EXPERT-CM.COM.UA



BOILER LOLLO

LOLLO



VBM5202

Positions without LF code no.: upon request



# VIBIEMME



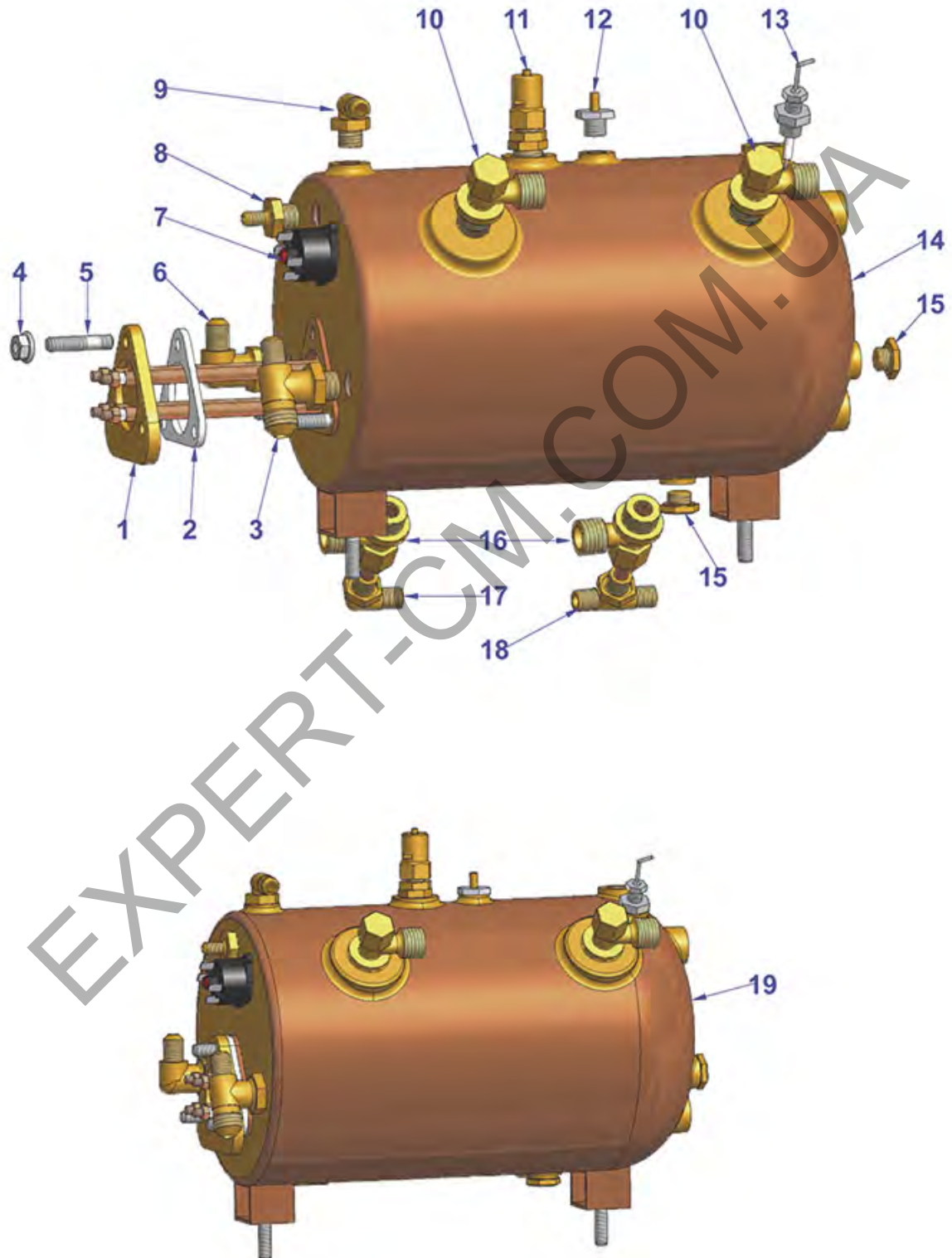
Position	LF code no.	Description
	1755003	HEATING ELEMENT 5000W 230V
1	1755228	HEATING ELEMENT 4000W 230V
2	1186634	TRIANGULAR GASKET FOR HEATING ELEMENT
10	1523534	BOILER VALVE $\varnothing$ 1/4"M
11	1515019	BOILER VALVE $\varnothing$ 1/2"M
12	1349014	BOILER FITTING $\varnothing$ 1/2"M-1/2"M
13	3341011	LEVEL PROBE $\varnothing$ 1/4"M-140 mm
21	1349278	BOILER FITTING $\varnothing$ 1/2"M-1/2"M-1/4"F
23	1455067	VOLUMETRIC FLOW METER GICAR
28	1349002	ELBOW FITTING $\varnothing$ 1/4"M-1/4"M
30	1120259	SOLE. VALVE PARKER 2 WAYS 230V 50/60Hz

EXPERT-CM.COM.UA



BOILER MINIMAX

MINIMAX





# VIBIEMME



Position	LF code no.	Description
1	1755283	HEATING ELEMENT 2700W 230V
2	1186634	TRIANGULAR GASKET FOR HEATING ELEMENT
4	1528621	HEXAGONAL NUT M8 SHORT M8
7	1443078	CONTACT THERMOSTAT 130°C 10A 250V
9	1349002	ELBOW FITTING $\varnothing$ 1/4"M-1/4"M
10	1349014	BOILER FITTING $\varnothing$ 1/2"M-1/2"M
11	1515019	BOILER VALVE $\varnothing$ 1/2"M
12	1523534	BOILER VALVE $\varnothing$ 1/4"M
13	3341011	LEVEL PROBE $\varnothing$ 1/4"M-140 mm
15	1439061	CAP $\varnothing$ 1/4"M HEIGHT 12 mm NUT 19 mm
16	1349278	BOILER FITTING $\varnothing$ 1/2"M-1/2"M-1/4"F
17	1550006	INJECTOR PIPE $\varnothing$ 1/4"M - 65 mm
18	1550007	INJECTOR PIPE $\varnothing$ 1/4"M-1/4"M-1/4"M

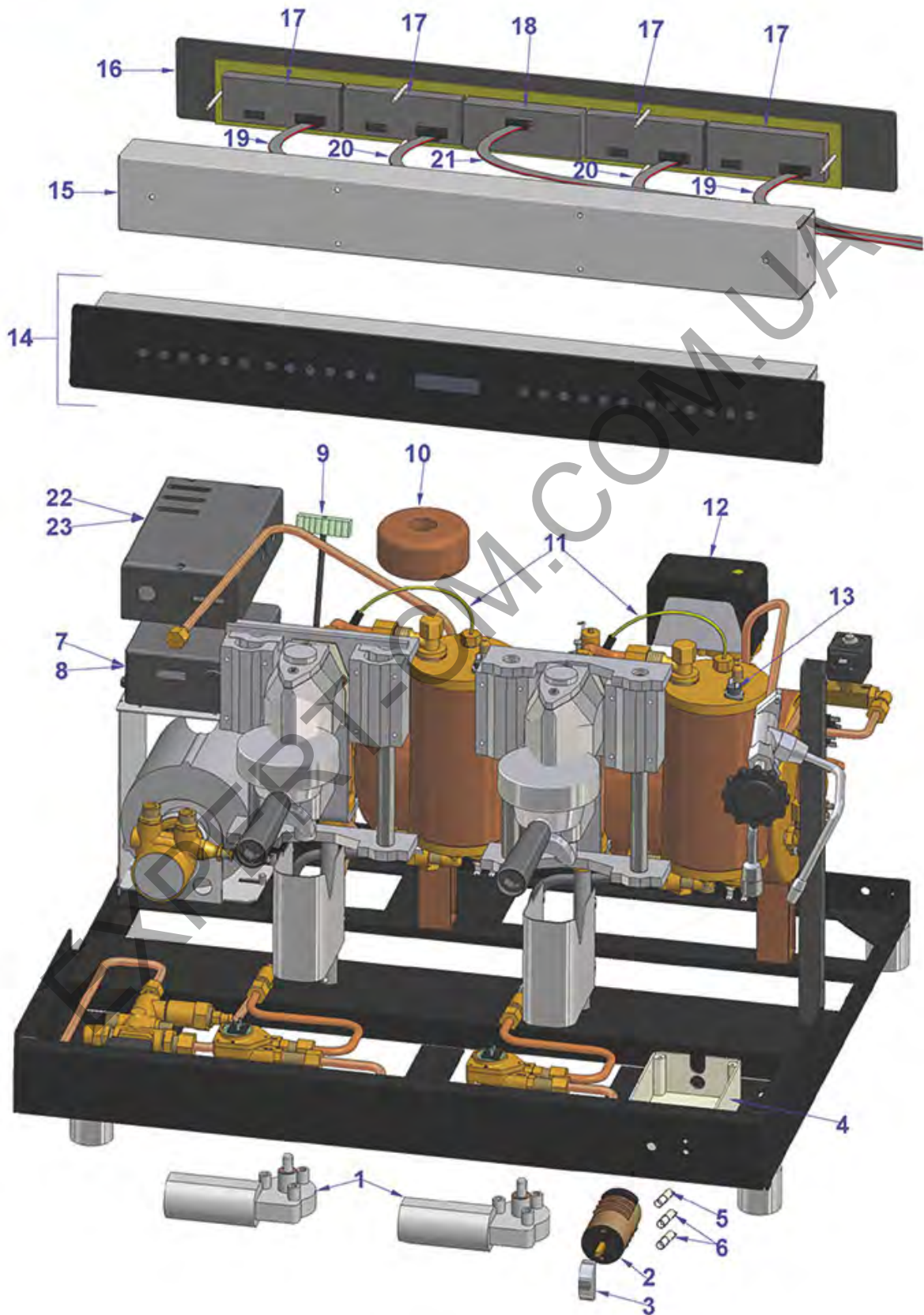
EXPERT-CM.COM.UA





## ELECTRICAL PARTS CHIMAERA

### CHIMAERA



VBM6002



# VIBIEMME

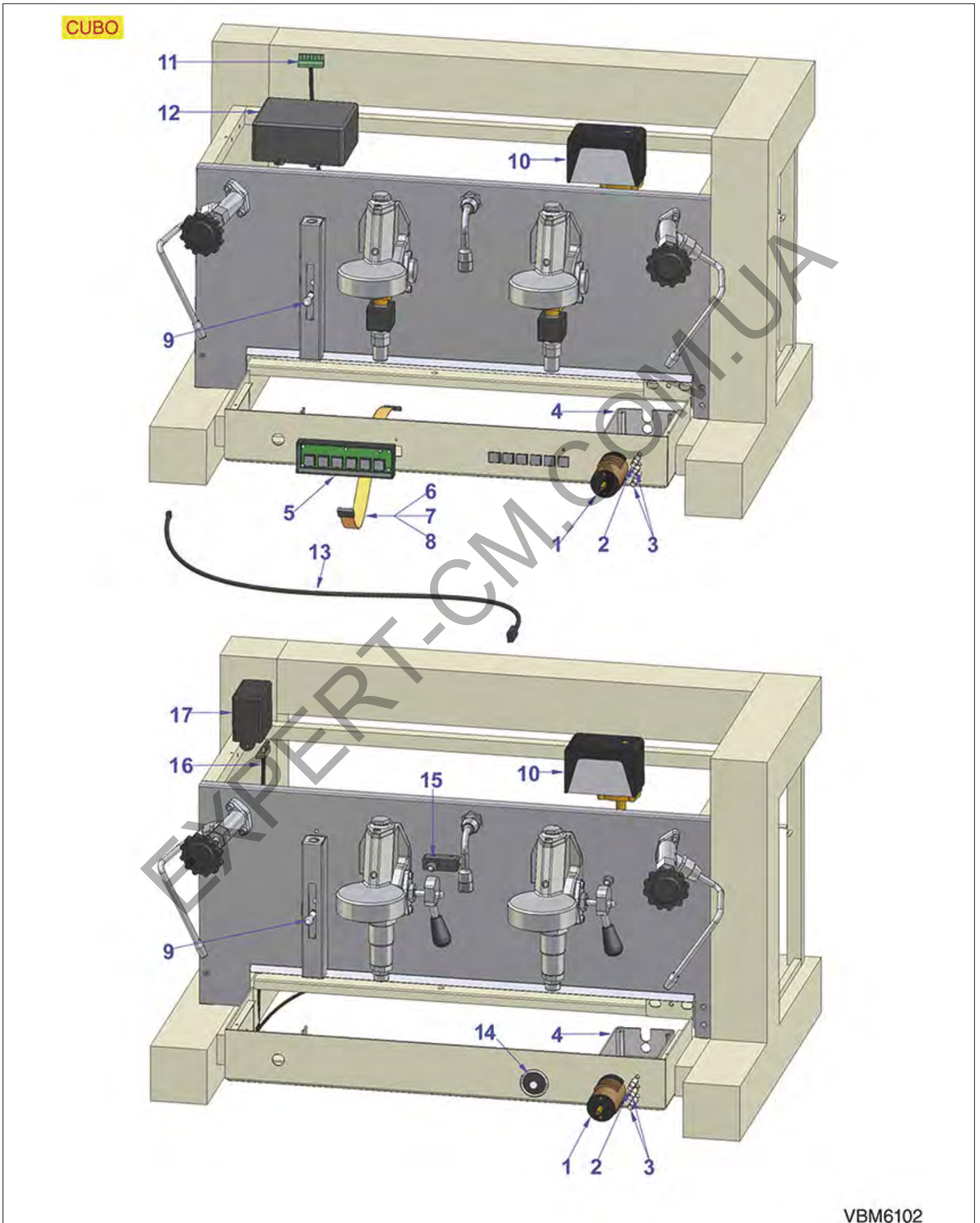


Position	LF code no.	Description
2	1057034	SELECTOR SWITCH 0-3 POSITIONS 16A 300V
5	1221061	GREEN INDICATOR LIGHT 250V
6	1221062	RED INDICATOR LIGHT 250V
11	1397059	TEMPERATURE PROBE $\varnothing$ 1/4" M
12	1320531	PRESSURE SWITCH P302/6 3-POLES 30A
13	1443077	CONTACT THERMOSTAT 130°C 16A 250V
22	1054053	DOSER CONTROL BOX 3 GROUPS 240V

EXPERT-CM.COM.UA



## ELECTRICAL PARTS CUBO



VBM6102

Positions without LF code no.: upon request



# VIBIEMME



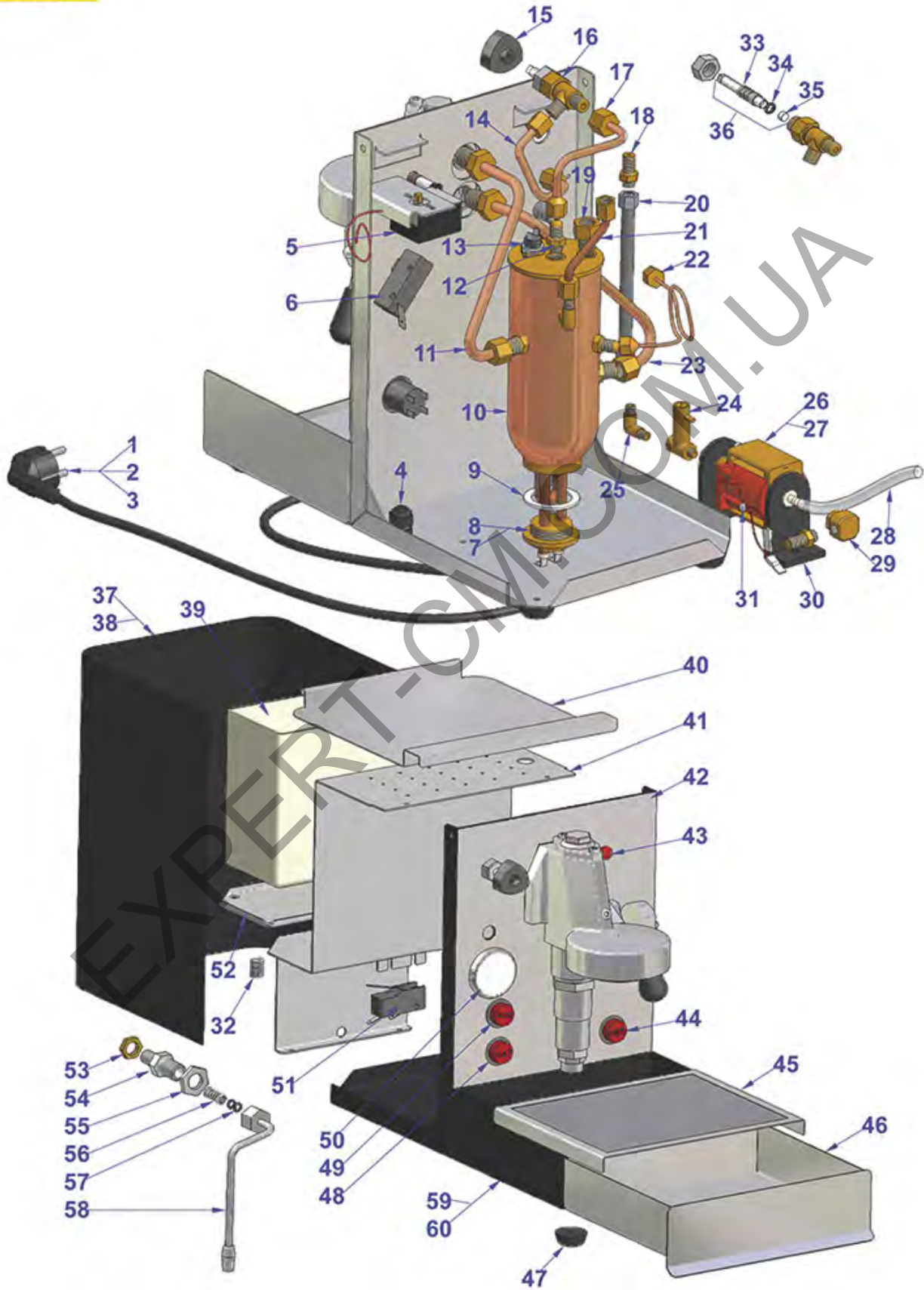
Position	LF code no.	Description
1	1057034	SELECTOR SWITCH 0-3 POSITIONS 16A 300V
2	1221061	GREEN INDICATOR LIGHT 250V
3	1221062	RED INDICATOR LIGHT 250V
5	1319588	PUSH-BUTTON PANEL 6 BUTTONS
10	1320531	PRESSURE SWITCH P302/6 3-POLES 30A
12	1054006	DOSER CONTROL BOX 3 GROUPS 230V
15	3240419	MICROSWITCH PIZZATO MF09
17	1054056	DOSER CONTROL BOX 2/3 GROUPS 240V

EXPERT-CM.COM.UA



## ELECTRICAL PARTS DOMOBAR

### DOMOBAR



VBM6202



# VIBIEMME



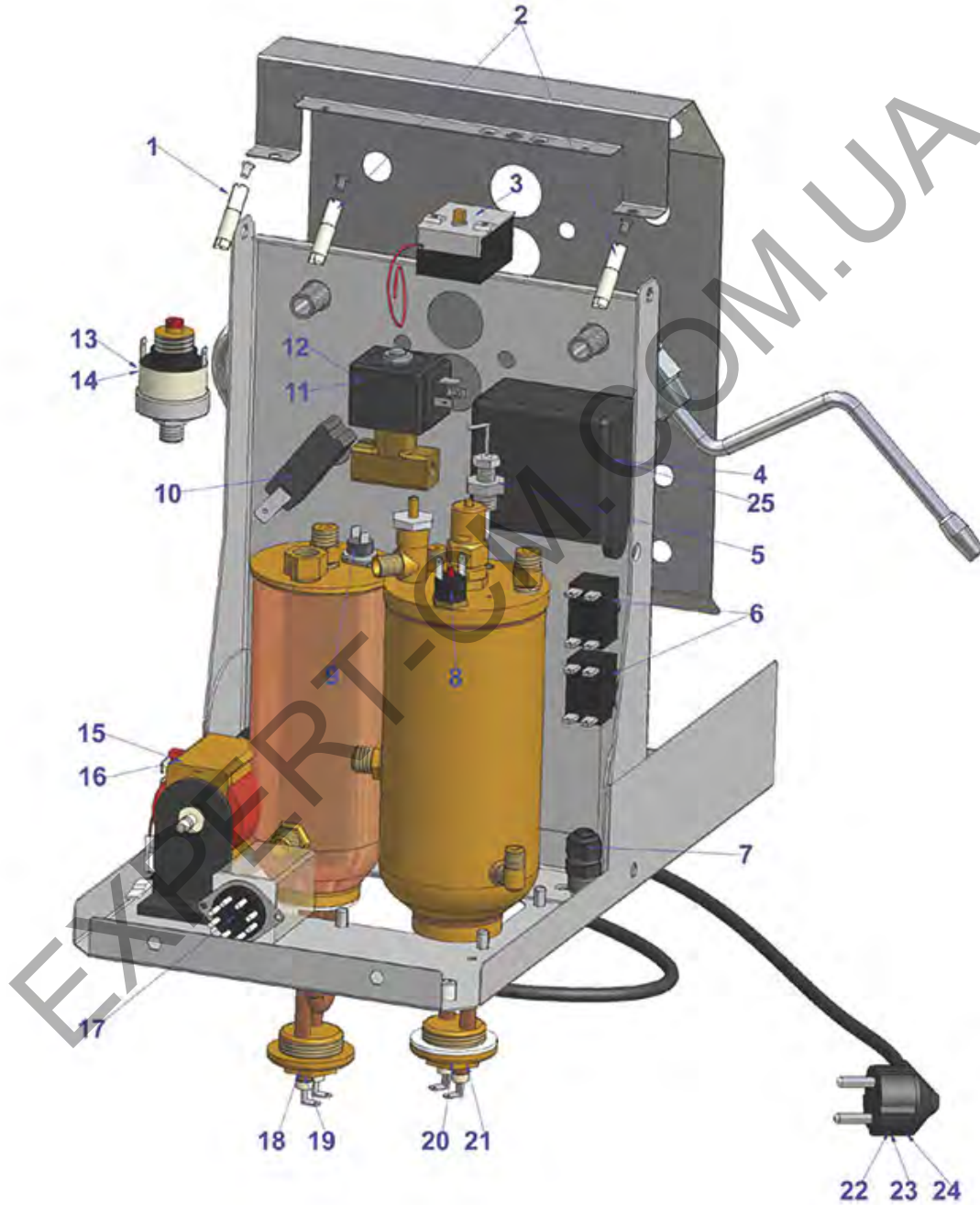
Position	LF code no.	Description
5	1444049	SINGLE-PHASE THERMOSTAT TR/86
6	3240419	MICROSWITCH PIZZATO MF09
7	1755348	HEATING ELEMENT 1350W 220V
8	1755637	HEATING ELEMENT 1400W 110V
9	1186627	CARBO FLAT GASKET $\varnothing$ 41x33x3 mm
13	1443076	CONTACT THERMOSTAT 150°C 16A 250V
15	1241182	WATER/STEAM TAP KNOB
16	1548013	STEAM TAP
19	1349275	BULB SHEATH FITTING $\varnothing$ 1/4"F - 12M
24	1349276	BYPASS FITTINGS $\varnothing$ 1/8"M-1/8"F
25	1349274	ELBOW FITTING $\varnothing$ 1/8"M-1/8"M
26	1122735	VIBRATORY PUMP EX5 48W 230V 50Hz
27	1122601	VIBRATORY PUMP EX5 41W 120V 60Hz
28	1449683	SILICONE HOSE $\varnothing$ 5x10 SHORE 60 - 10 m
30	1331023	SQUARE DAMPER EX-EP-EK-EA
34	1186556	O-RING R6 EPDM
35	1186834	BLIND GASKET $\varnothing$ 7x2 mm PTFE
39	1680002	WATER CONTAINER
43	1221060	RED INDICATOR LIGHT 250V
44	3319948	RED BIPOLAR SWITCH 16A 250V
50	1245001	PUMP PRESSURE GAUGE $\varnothing$ 41 mm 0÷16 bar
50	1245074	PUMP PRESSURE GAUGE $\varnothing$ 41 mm 0÷16 bar
51	1240805	MICROSWITCH G26 16A 250V
55	1348036	NUT $\varnothing$ 3/8" WRENCH 21x6mm
56	1250362	SPRING $\varnothing$ 10.8x30 mm
57	1186556	O-RING R6 EPDM

EXPERT-CM.COM.UA



ELECTRICAL PARTS DOMOBAR JUNIOR

DOMOBAR JUNIOR





# VIBIEMME



Position	LF code no.	Description
1	1221061	GREEN INDICATOR LIGHT 250V
2	1221062	RED INDICATOR LIGHT 250V
3	1444049	SINGLE-PHASE THERMOSTAT TR/86
4	1341044	LEVEL ADJUSTER PIC DELUXE 240V
5	3341011	LEVEL PROBE ø 1/4"M-140 mm
6	1319593	LEVER SWITCH 16A 250V
8	1443002	CONTACT THERMOSTAT 165°C M4
9	1443076	CONTACT THERMOSTAT 150°C 16A 250V
10	3240410	MICROSWITCH 16(4)A 250V
13	1320025	PRESSURE SWITCH PS14.01 0.2-0.9 BAR 1/4"
14	1320023	PRESSURE SWITCH XP110 125 0.5-1.5 BAR 1/
15	1122735	VIBRATORY PUMP EX5 48W 230V 50Hz
16	1122601	VIBRATORY PUMP EX5 41W 120V 60Hz
18	1755281	HEATING ELEMENT 600W 230V
20	1755278	HEATING ELEMENT 1200W 230V

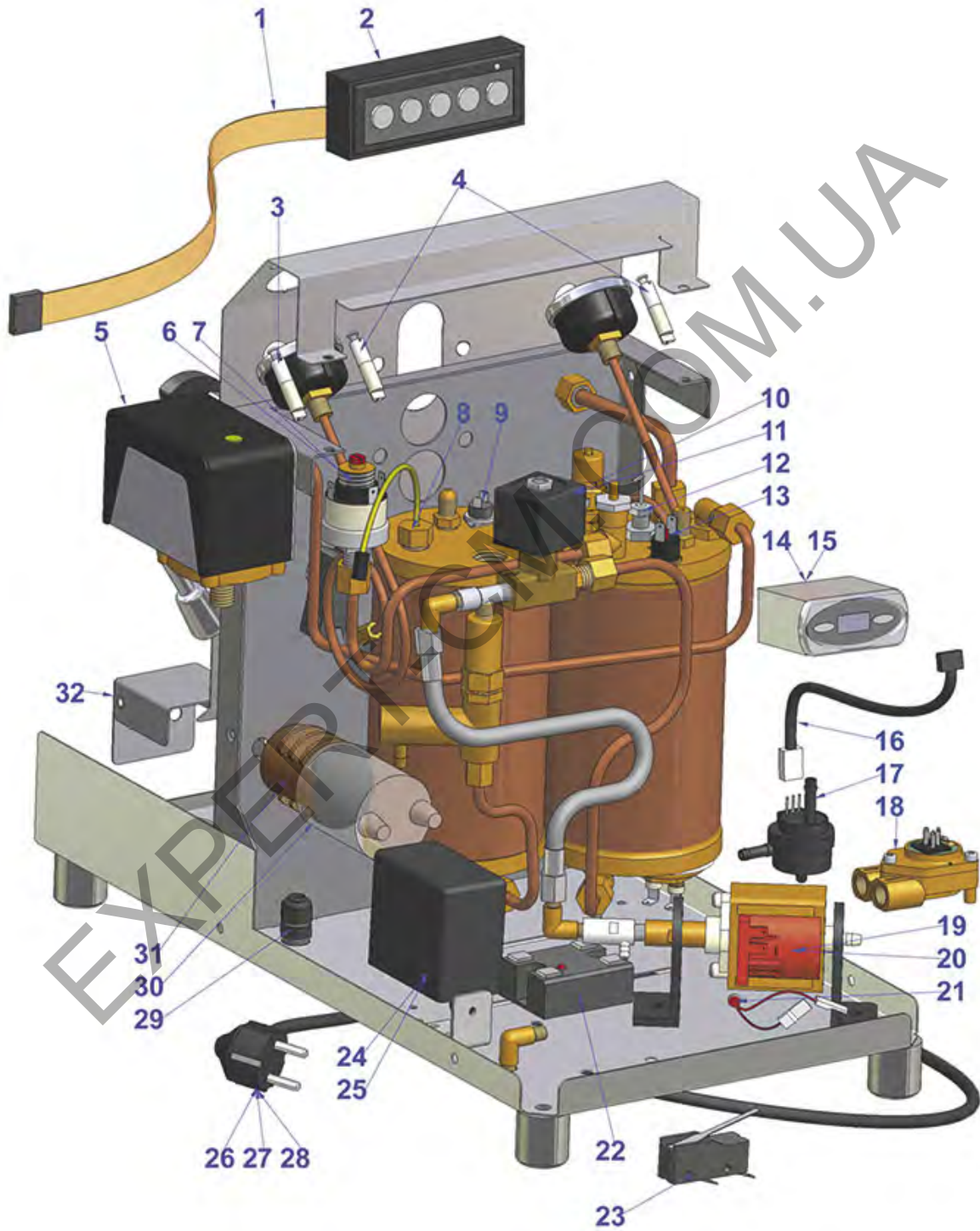
EXPERT-CM.COM.UA





ELECTRIC PARTS DOMOBAR SUPER

DOMOBAR SUPER





# VIBIEMME



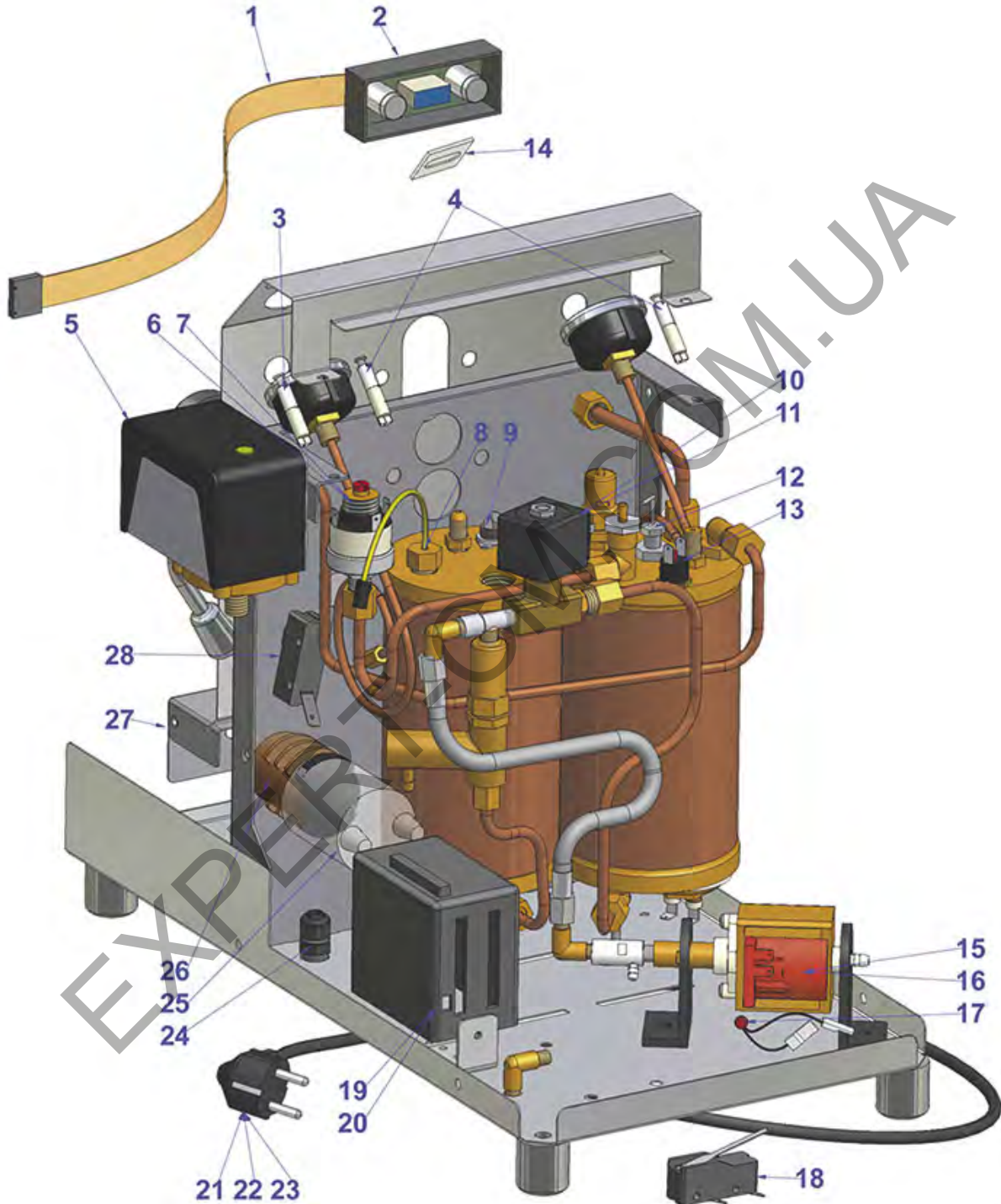
Position	LF code no.	Description
2	1319148	PUSH-BUTTON PANEL 5 BUTTONS
3	1221061	GREEN INDICATOR LIGHT 250V
4	1221062	RED INDICATOR LIGHT 250V
5	1320531	PRESSURE SWITCH P302/6 3-POLES 30A
6	1320025	PRESSURE SWITCH PS14.01 0.2-0.9 BAR 1/4"
7	1320023	PRESSURE SWITCH XP110 125 0.5-1.5 BAR 1/
8	1397059	TEMPERATURE PROBE $\varnothing$ 1/4"M
9	1443077	CONTACT THERMOSTAT 130°C 16A 250V
12	3341011	LEVEL PROBE $\varnothing$ 1/4"M-140 mm
13	1443002	CONTACT THERMOSTAT 165°C M4
18	1455067	VOLUMETRIC FLOW METER GICAR
19	1122735	VIBRATORY PUMP EX5 48W 230V 50Hz
20	1122601	VIBRATORY PUMP EX5 41W 120V 60Hz
22	1351022	STATIC RELAY 25A 240V INPUT 3/32VDC
23	1240805	MICROSWITCH G26 16A 250V
24	1341007	DOSER CONTROL BOX 30 MICRO ST/C 240V
31	1057035	SELECTOR SWITCH 0-2 POSITIONS 16A 300V

EXPERT-CM.COM.UA



ELECTRICAL PARTS DOMOBAR SUPER

DOMOBAR SUPER





# VIBIEMME



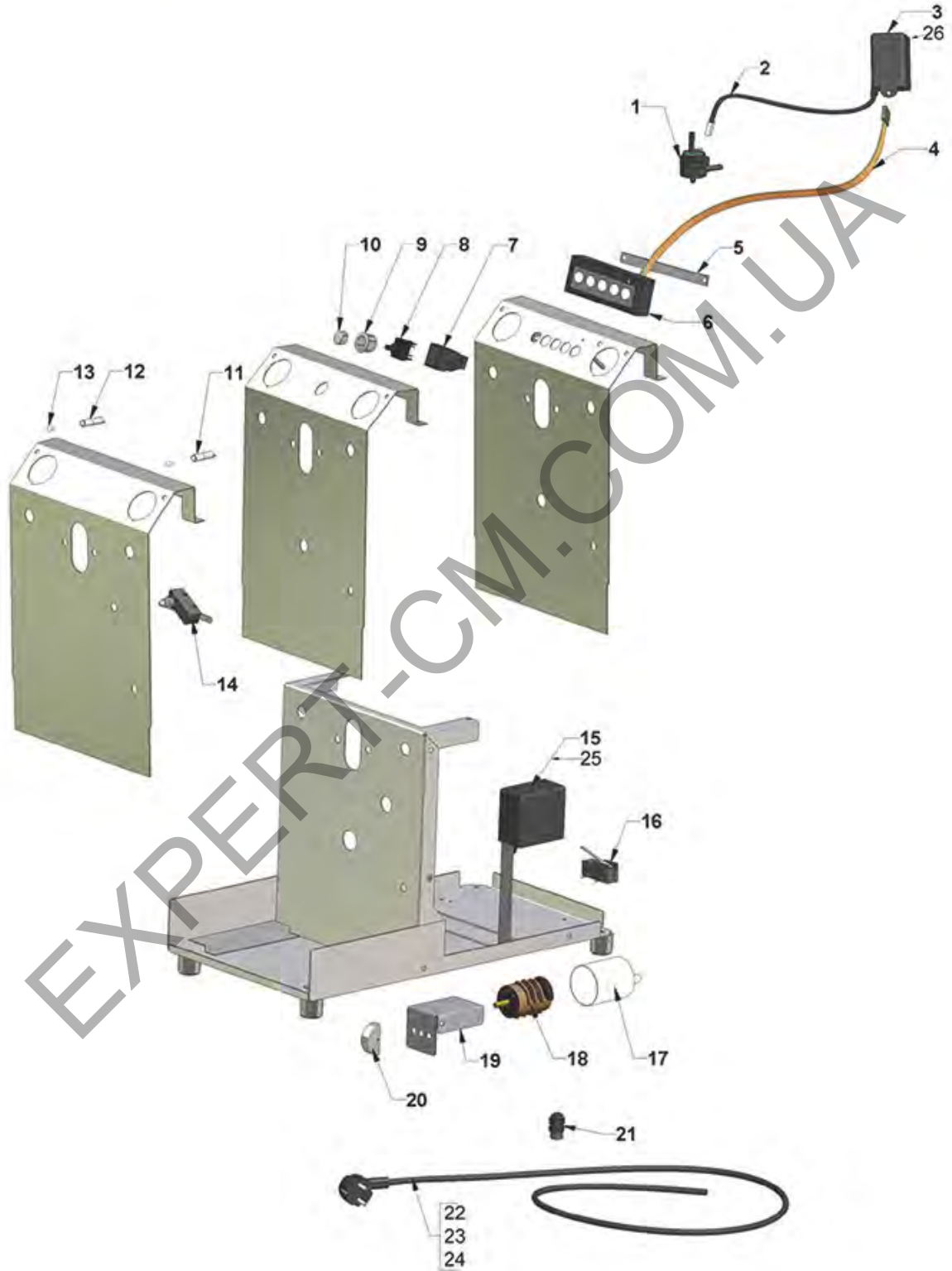
Position	LF code no.	Description
3	1221061	GREEN INDICATOR LIGHT 250V
4	1221062	RED INDICATOR LIGHT 250V
5	1320531	PRESSURE SWITCH P302/6 3-POLES 30A
6	1320025	PRESSURE SWITCH PS14.01 0.2-0.9 BAR 1/4"
7	1320023	PRESSURE SWITCH XP110 125 0.5-1.5 BAR 1/
8	1397059	TEMPERATURE PROBE $\varnothing$ 1/4"M
9	1443077	CONTACT THERMOSTAT 130°C 16A 250V
12	3341011	LEVEL PROBE $\varnothing$ 1/4"M-140 mm
13	1443002	CONTACT THERMOSTAT 165°C M4
15	1122735	VIBRATORY PUMP EX5 48W 230V 50Hz
16	1122601	VIBRATORY PUMP EX5 41W 120V 60Hz
18	1240805	MICROSWITCH G26 16A 250V
26	1057035	SELECTOR SWITCH 0-2 POSITIONS 16A 300V
28	3240419	MICROSWITCH PIZZATO MF09

EXPERT-CM.COM.UA



ELECTRICAL PARTS DOMOBAR SUPER

DOMOBAR SUPER





# VIBIEMME



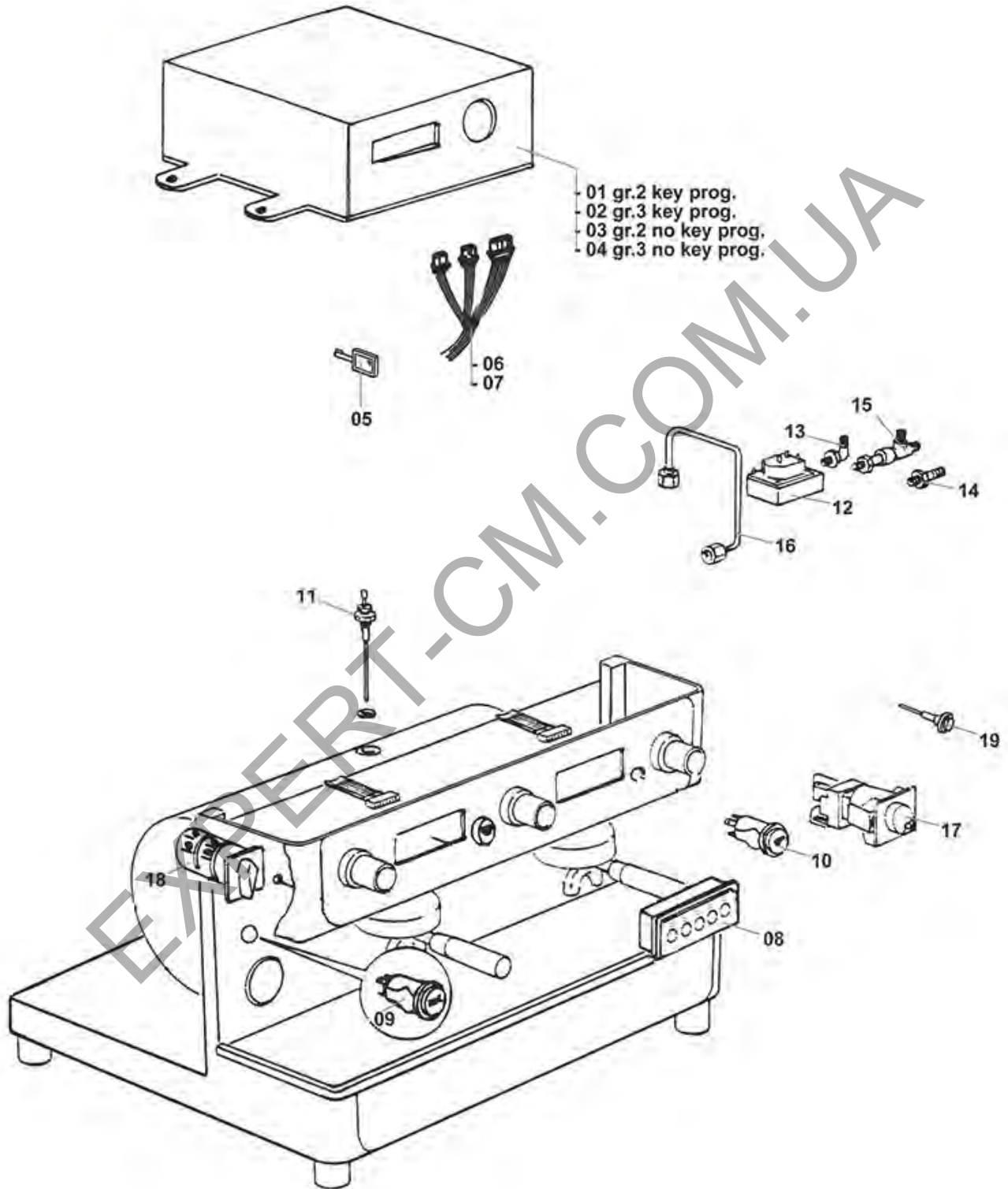
Position	LF code no.	Description
1	1455062	VOLUMETRIC FLOW METER GICAR NSF
6	1319148	PUSH-BUTTON PANEL 5 BUTTONS
8	1319005	BIPOLAR SWITCH 16A 250V
10	1319595	OVAL CHROMED PUSH-BUTTON 17x12.5 mm
11	1221061	GREEN INDICATOR LIGHT 250V
12	1221062	RED INDICATOR LIGHT 250V
13	5007773	LAMP CAP FLAT TRANSPARENT SU2
14	3240419	MICROSWITCH PIZZATO MF09
15	1341006	LEVEL REGULATOR RL30/1E/2C/C 230V
16	1240805	MICROSWITCH G26 16A 250V
18	1319036	SELECTOR SWITCH 0-2 POSITIONS 20A 690V

EXPERT-CM.COM.UA



## ELECTRICAL PARTS DOSAPLUS

DOSAPLUS



VBM6702



# VIBIEMME



Position	LF code no.	Description
3	1054001	DOSER CONTROL BOX 2 GROUPS 230V
4	1054004	DOSER CONTROL BOX 3 GROUPS 230V
8	1319139	PUSH-BUTTON PANEL 5 BUTTONS
9	3319948	RED BIPOLAR SWITCH 16A 250V
11	3341011	LEVEL PROBE $\varnothing$ 1/4"M-140 mm
12	1455067	VOLUMETRIC FLOW METER GICAR
17	1319594	BIPOLAR SWITCH BLACK 250V
18	1319036	SELECTOR SWITCH 0-2 POSITIONS 20A 690V
19	1221060	RED INDICATOR LIGHT 250V

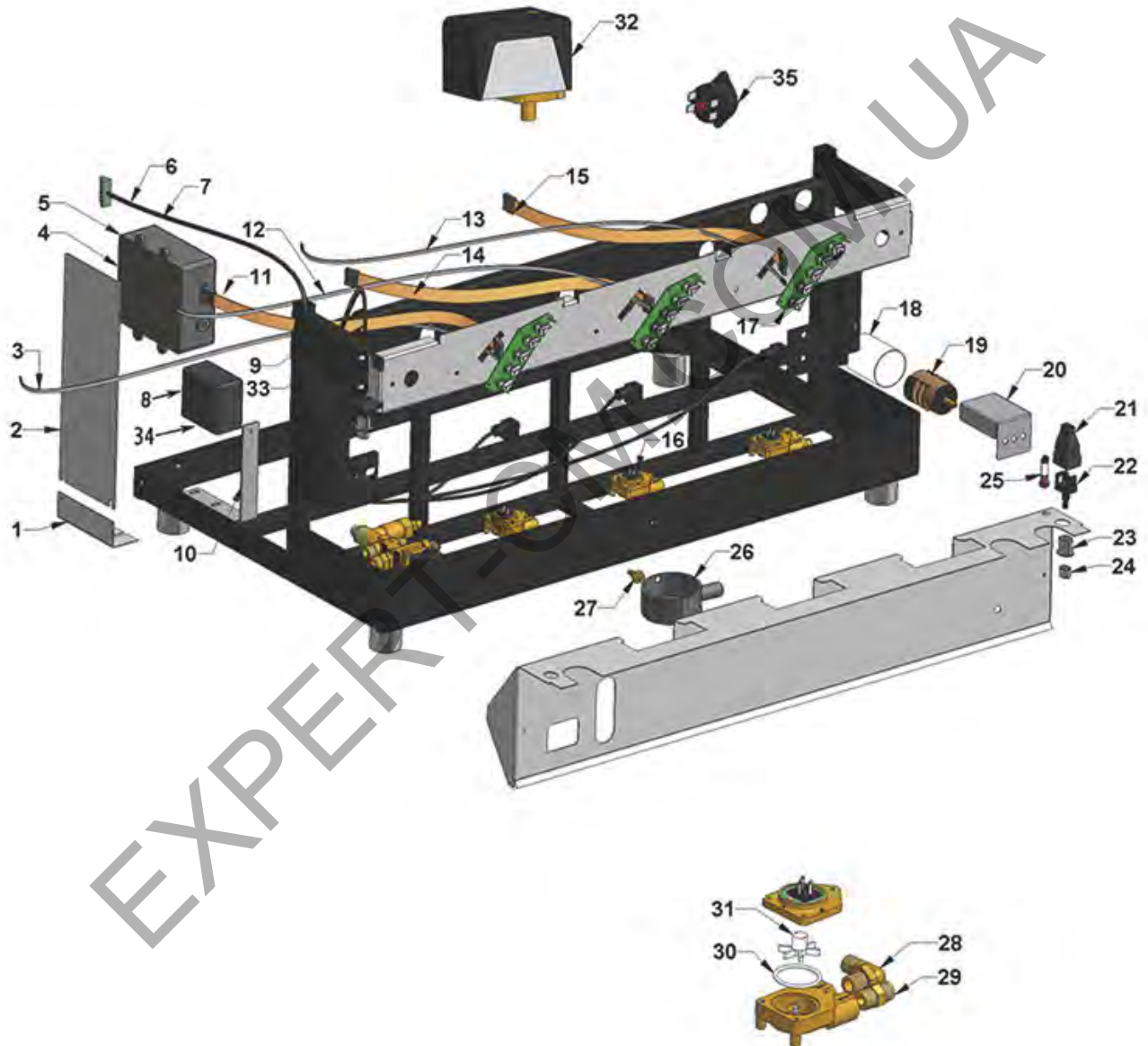
EXPERT-CM.COM.UA





ELECTRICAL PARTS EVOLUTION

EVOLUTION





# VIBIEMME



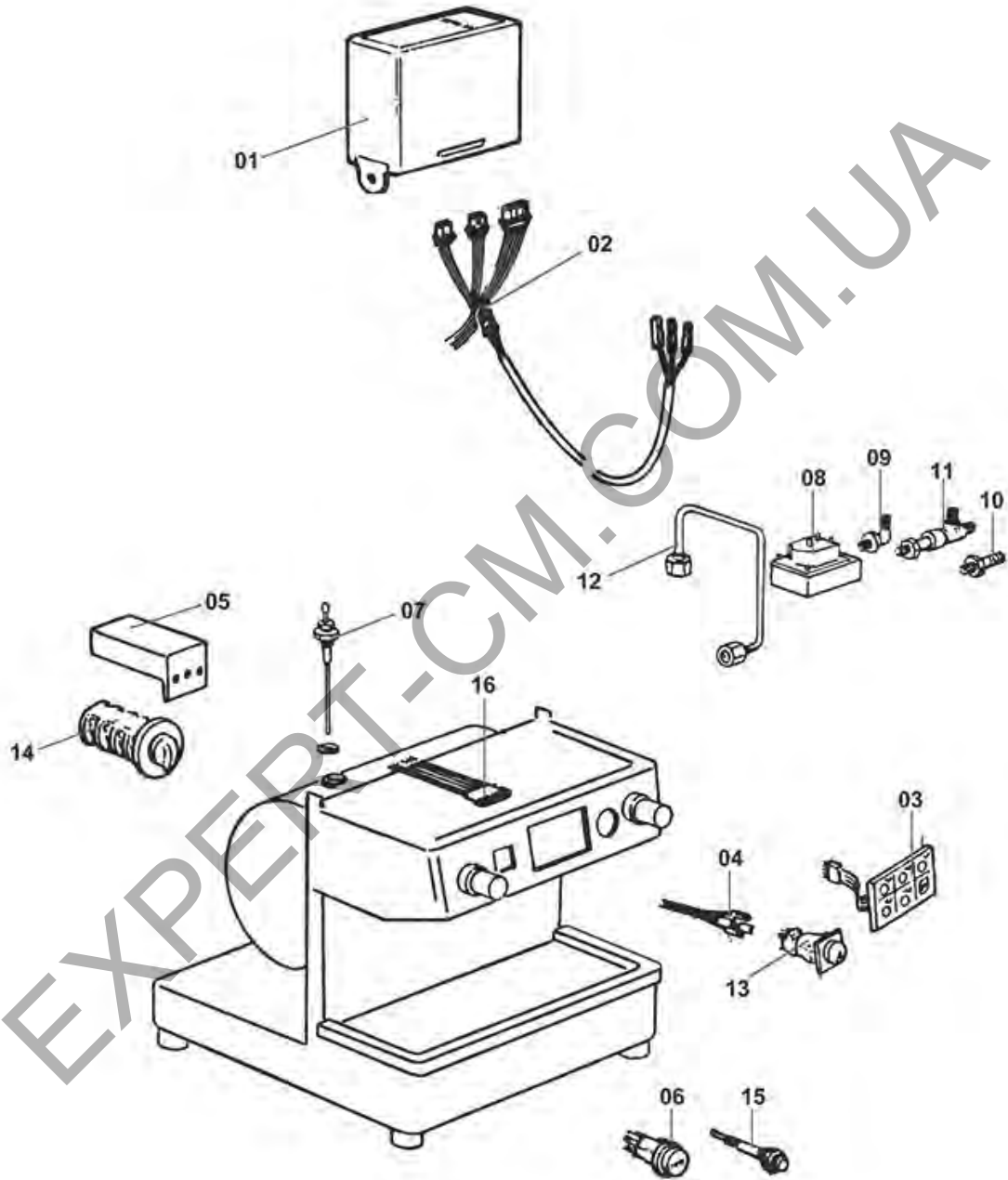
Position	LF code no.	Description
4	1054006	DOSER CONTROL BOX 3 GROUPS 230V
8	1054056	DOSER CONTROL BOX 2/3 GROUPS 240V
16	1455067	VOLUMETRIC FLOW METER GICAR
17	1319440	PUSH-BUTTON PANEL 5 BUTTONS
19	1057034	SELECTOR SWITCH 0-3 POSITIONS 16A 300V
22	1319005	BIPOLAR SWITCH 16A 250V
24	1319595	OVAL CHROMED PUSH-BUTTON 17x12.5 mm
25	1221060	RED INDICATOR LIGHT 250V
26	1527020	DRAIN TANK
32	1320531	PRESSURE SWITCH P302/6 3-POLES 30A
35	1443078	CONTACT THERMOSTAT 130°C 10A 250V

EXPERT-CM.COM.UA



ELECTRICAL PARTS KOMETA

KOMETA





# VIBIEMME



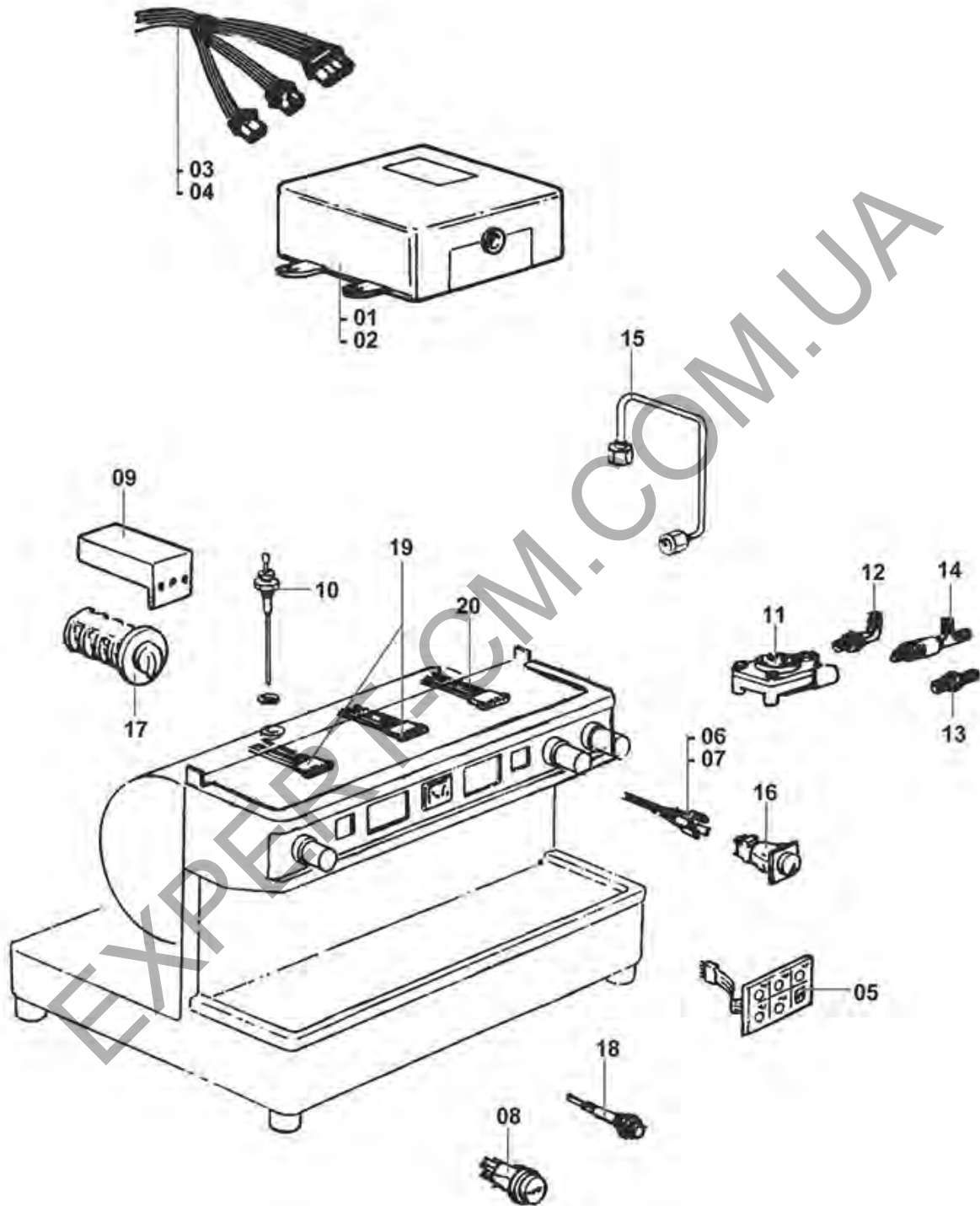
Position	LF code no.	Description
1	1341007	DOSER CONTROL BOX 30 MICRO ST/C 240V
3	1319149	PUSH-BUTTON PANEL 5 BUTTONS
6	3319948	RED BIPOLAR SWITCH 16A 250V
7	3341011	LEVEL PROBE $\varnothing$ 1/4"M-140 mm
8	1455067	VOLUMETRIC FLOW METER GICAR
13	1319561	BLACK BIPOLAR SWITCH 16A 250V
14	1319036	SELECTOR SWITCH 0-2 POSITIONS 20A 690V

EXPERT-CM.COM.UA



ELECTRICAL PARTS KOMETA

KOMETA





# VIBIEMME



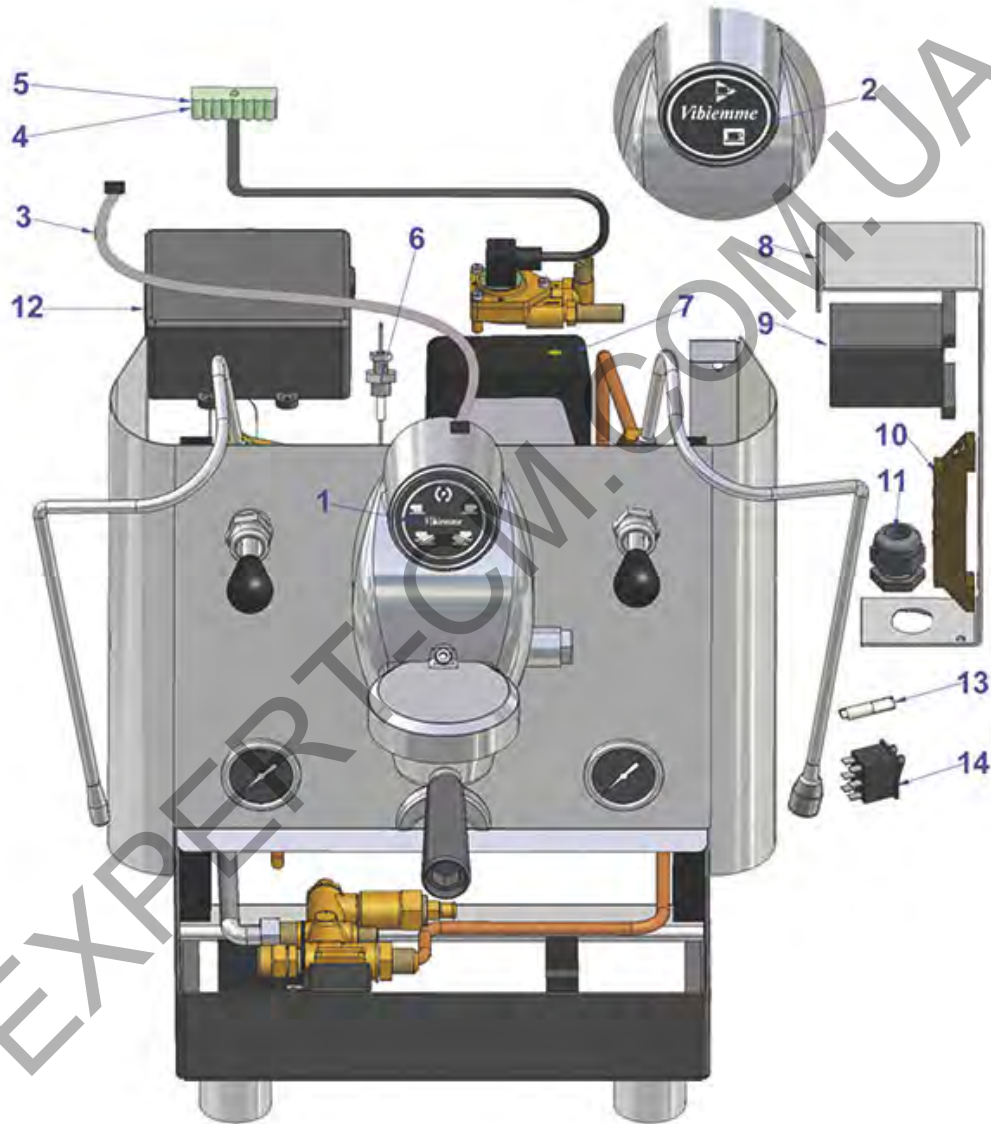
Position	LF code no.	Description
1	1054001	DOSER CONTROL BOX 2 GROUPS 230V
2	1054004	DOSER CONTROL BOX 3 GROUPS 230V
5	1319149	PUSH-BUTTON PANEL 5 BUTTONS
8	3319948	RED BIPOLAR SWITCH 16A 250V
10	3341011	LEVEL PROBE $\varnothing$ 1/4"M-140 mm
11	1455067	VOLUMETRIC FLOW METER GICAR
16	1319561	BLACK BIPOLAR SWITCH 16A 250V
17	1319036	SELECTOR SWITCH 0-2 POSITIONS 20A 690V
18	1221060	RED INDICATOR LIGHT 250V

EXPERT-CM.COM.UA



## ELECTRICAL PARTS LOLLO

LOLLO





# VIBIEMME



Position	LF code no.	Description
1	1319589	PUSH-BUTTON PANEL 5 BUTTONS
2	1319590	PUSH-BUTTON PANEL 2 BUTTONS
6	3341011	LEVEL PROBE $\varnothing$ 1/4"M-140 mm
7	1320531	PRESSURE SWITCH P302/6 3-POLES 30A
12	1054054	DOSER CONTROL BOX 1-2 GROUPS 230V
13	1221062	RED INDICATOR LIGHT 250V
14	1319591	DOUBLE BIPOLAR SWITCH BLACK 250V

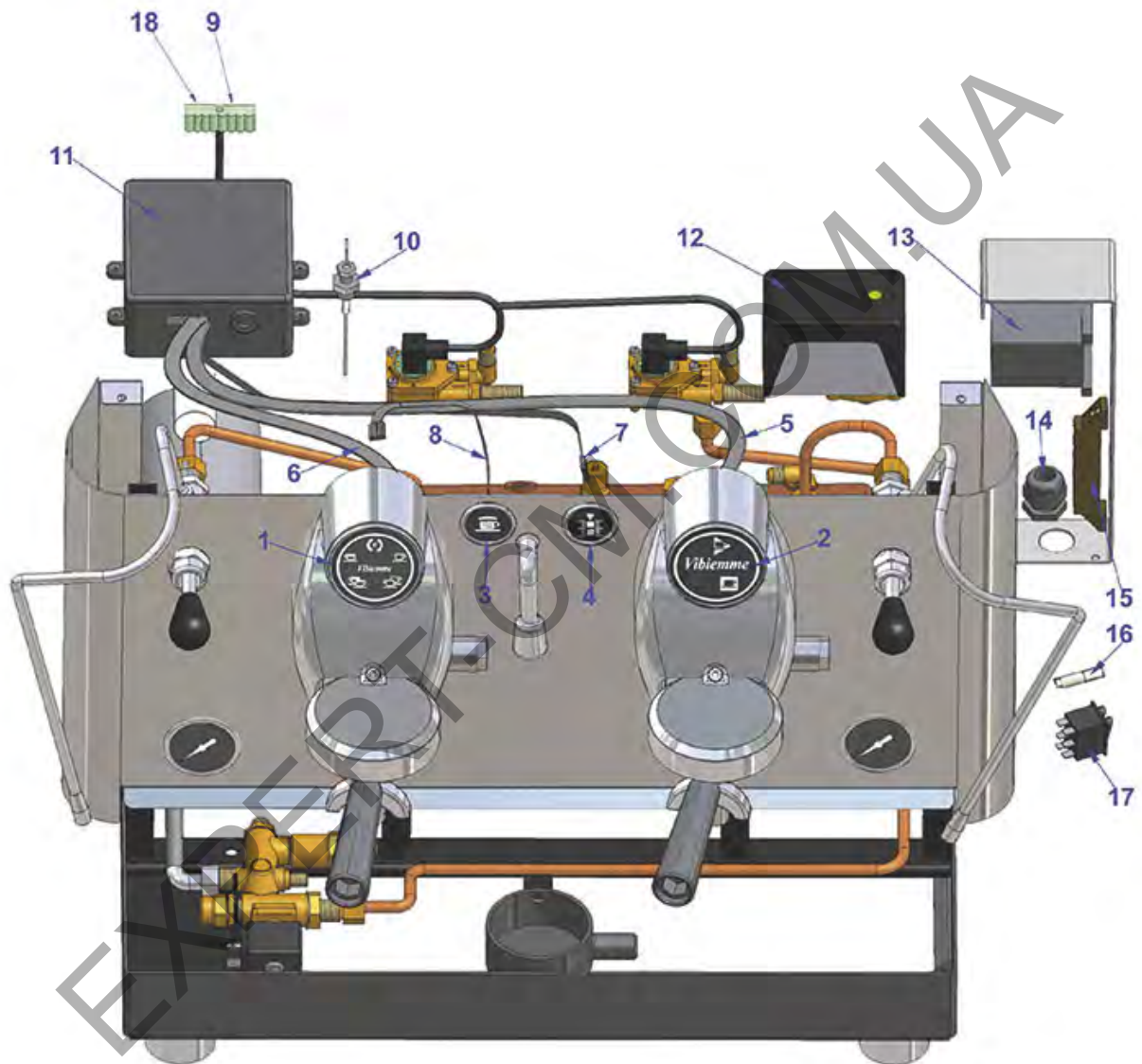
EXPERT-CM.COM.UA





## ELECTRICAL PARTS LOLLO

LOLLO



VBM7202

Positions without LF code no.: upon request



# VIBIEMME



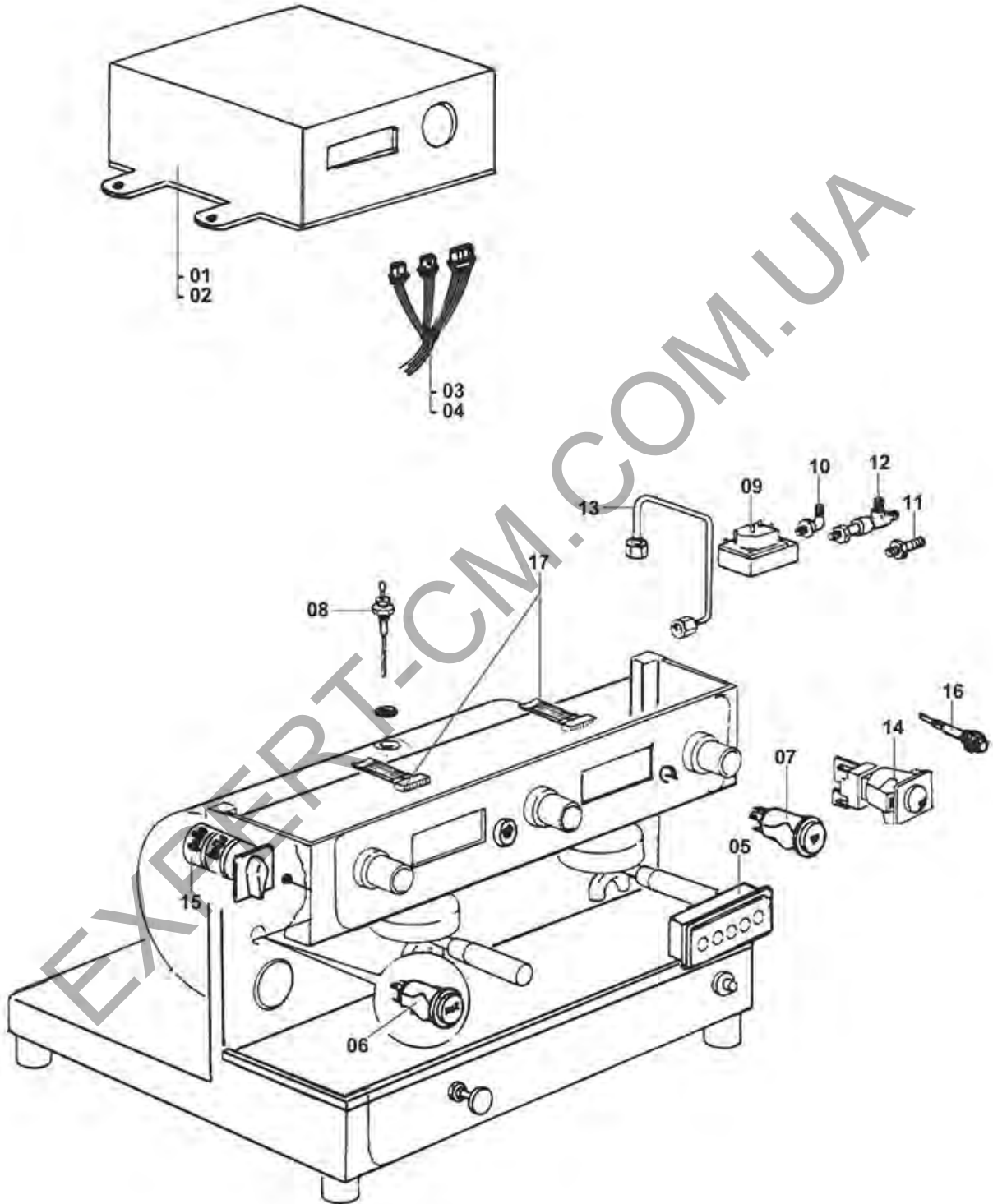
Position	LF code no.	Description
1	1319589	PUSH-BUTTON PANEL 5 BUTTONS
2	1319590	PUSH-BUTTON PANEL 2 BUTTONS
10	3341011	LEVEL PROBE $\varnothing$ 1/4"M-140 mm
11	1054054	DOSER CONTROL BOX 1-2 GROUPS 230V
12	1320531	PRESSURE SWITCH P302/6 3-POLES 30A
16	1221062	RED INDICATOR LIGHT 250V
17	1319591	DOUBLE BIPOLAR SWITCH BLACK 250V

EXPERT-CM.COM.UA



ELECTRICAL PARTS MERCURY

MERCURY



VBM7302



# VIBIEMME



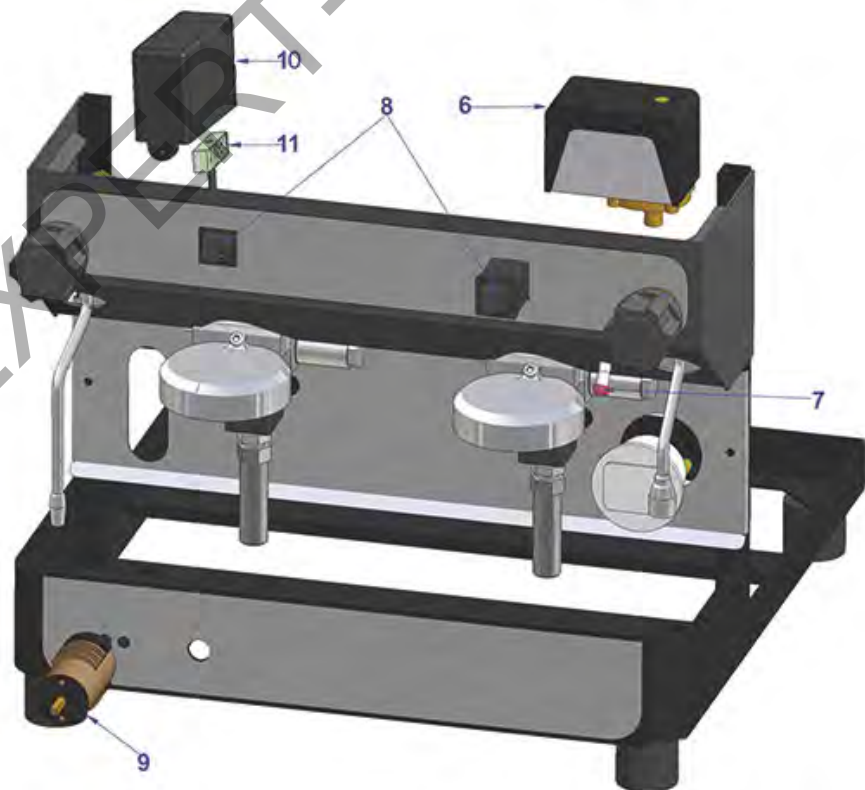
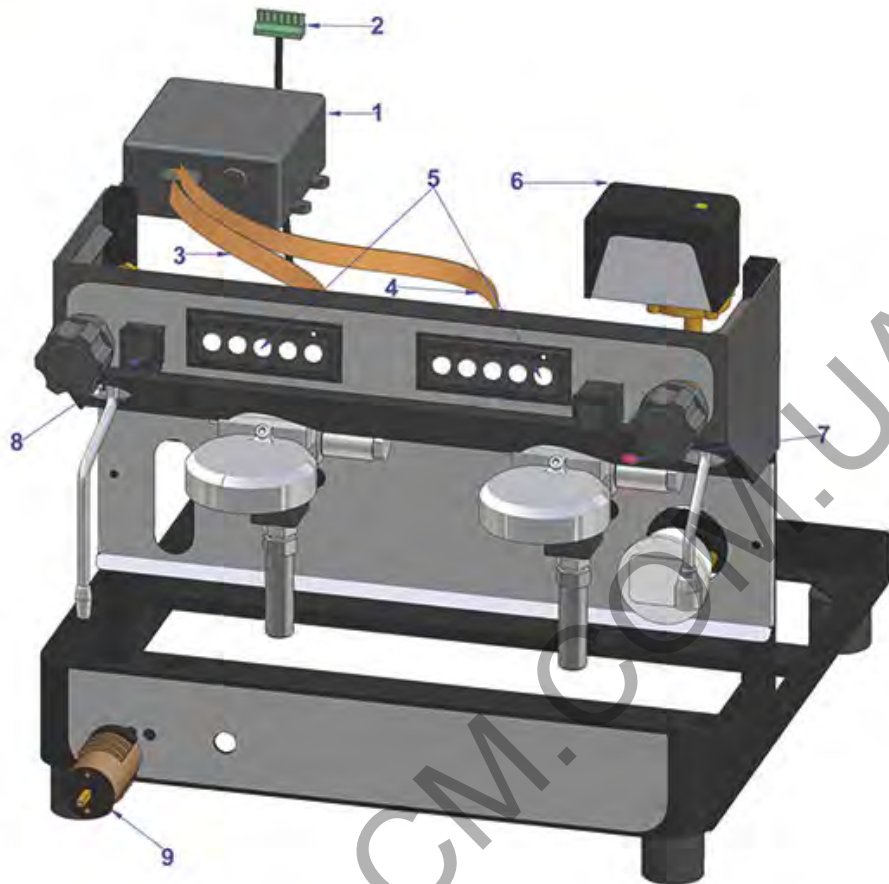
Position	LF code no.	Description
1	1054004	DOSER CONTROL BOX 3 GROUPS 230V
2	1054004	DOSER CONTROL BOX 3 GROUPS 230V
5	1319148	PUSH-BUTTON PANEL 5 BUTTONS
6	3319948	RED BIPOLAR SWITCH 16A 250V
8	3341011	LEVEL PROBE $\varnothing$ 1/4"M-140 mm
9	1455067	VOLUMETRIC FLOW METER GICAR
14	1319561	BLACK BIPOLAR SWITCH 16A 250V
15	1319036	SELECTOR SWITCH 0-2 POSITIONS 20A 690V
16	1221060	RED INDICATOR LIGHT 250V

EXPERT-CM.COM.UA



ELECTRICAL PARTS MINIMAX

MINIMAX



VBM7402

Positions without LF code no.: upon request



# VIBIEMME



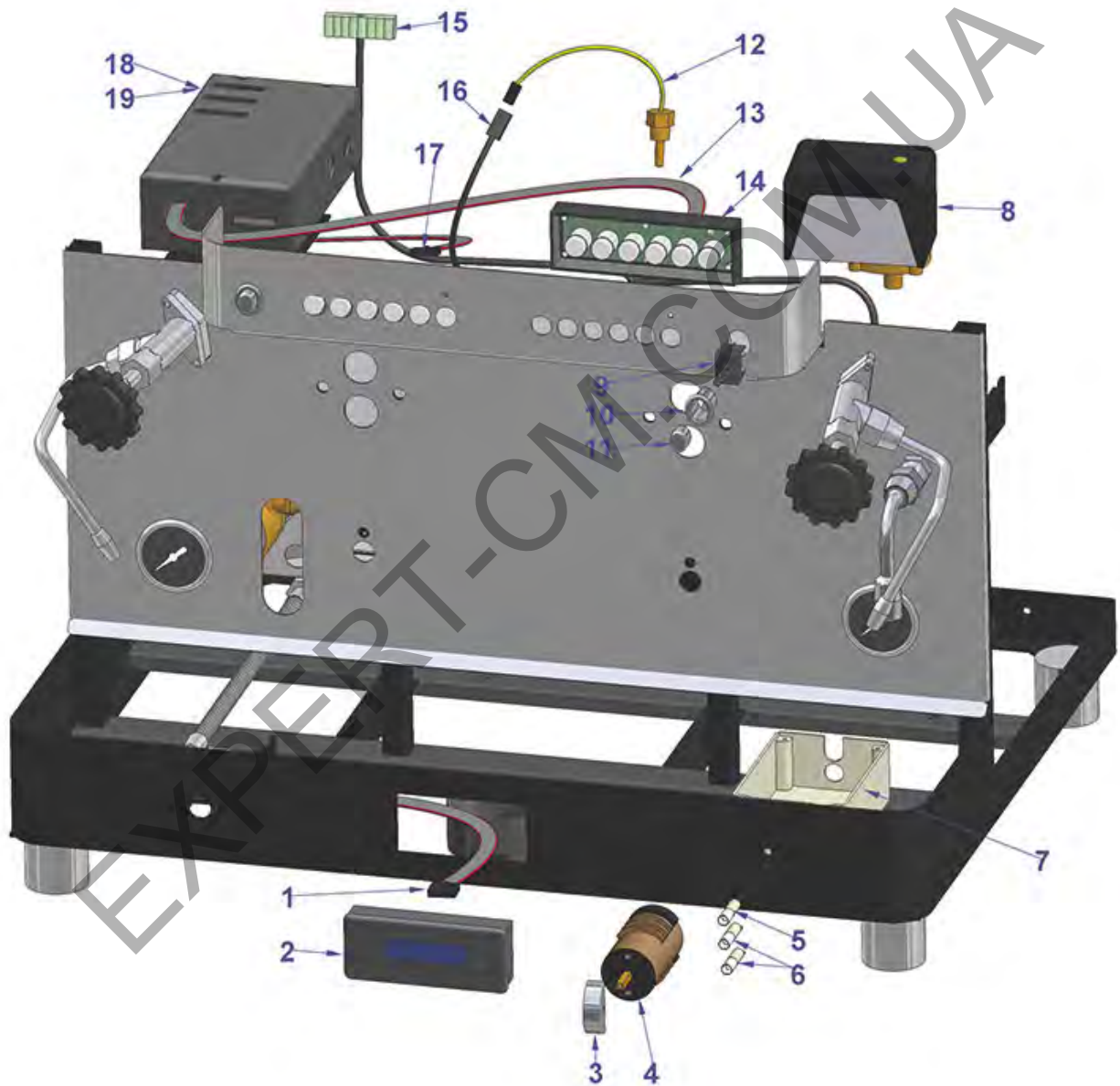
Position	LF code no.	Description
1	1054006	DOSER CONTROL BOX 3 GROUPS 230V
5	1319148	PUSH-BUTTON PANEL 5 BUTTONS
6	1320531	PRESSURE SWITCH P302/6 3-POLES 30A
7	1221060	RED INDICATOR LIGHT 250V
8	1319561	BLACK BIPOLAR SWITCH 16A 250V
9	1319036	SELECTOR SWITCH 0-2 POSITIONS 20A 690V
10	1341006	LEVEL REGULATOR RL30/1E/2C/C 230V

EXPERT-CM.COM.UA



ELECTRICAL PARTS REPLICA

REPLICA



VBM7502

Positions without LF code no.: upon request



# VIBIEMME



Position	LF code no.	Description
4	1057034	SELECTOR SWITCH 0-3 POSITIONS 16A 300V
5	1221061	GREEN INDICATOR LIGHT 250V
6	1221062	RED INDICATOR LIGHT 250V
8	1320531	PRESSURE SWITCH P302/6 3-POLES 30A
9	1319005	BIPOLAR SWITCH 16A 250V
11	1319595	OVAL CHROMED PUSH-BUTTON 17x12.5 mm
12	1397059	TEMPERATURE PROBE $\varnothing$ 1/4" M
14	1319588	PUSH-BUTTON PANEL 6 BUTTONS
18	1054053	DOSER CONTROL BOX 3 GROUPS 240V

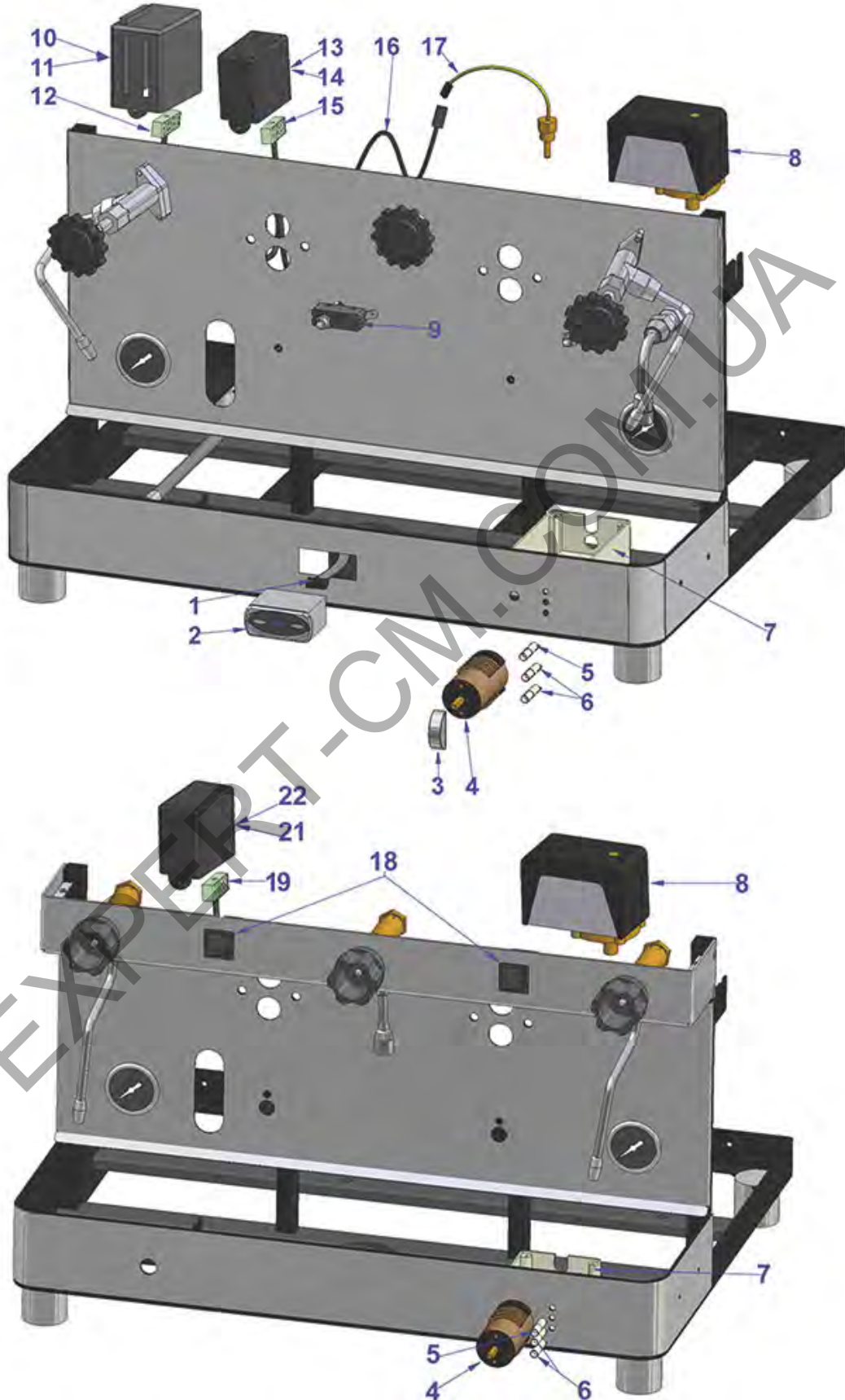
EXPERT-CM.COM.UA





ELECTRICAL PARTS REPLICA

REPLICA



VBM7602

Positions without LF code no.: upon request



# VIBIEMME



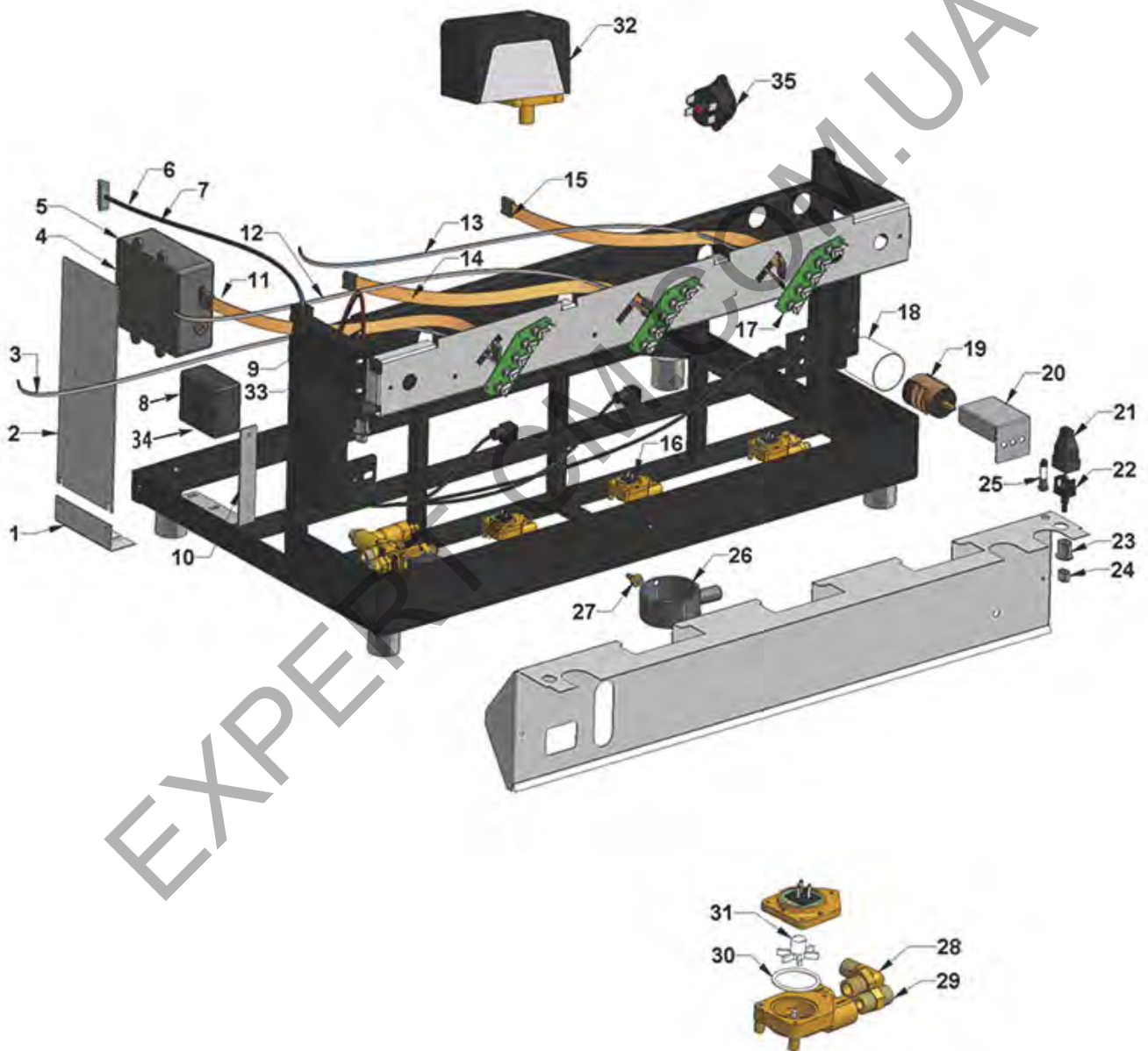
Position	LF code no.	Description
4	1057034	SELECTOR SWITCH 0-3 POSITIONS 16A 300V
5	1221061	GREEN INDICATOR LIGHT 250V
6	1221062	RED INDICATOR LIGHT 250V
8	1320531	PRESSURE SWITCH P302/6 3-POLES 30A
9	3240419	MICROSWITCH PIZZATO MF09
10	1054055	DOSER CONTROL BOX 3 GROUPS 240V
13	1341006	LEVEL REGULATOR RL30/1E/2C/C 230V
17	1397059	TEMPERATURE PROBE $\varnothing$ 1/4" M
18	1319594	BIPOLAR SWITCH BLACK 250V
22	1341006	LEVEL REGULATOR RL30/1E/2C/C 230V

EXPERT-CM.COM.UA



## ELECTRICAL PARTS REVOLUTION

REVOLUTION



VBM7702

Positions without LF code no.: upon request



# VIBIEMME



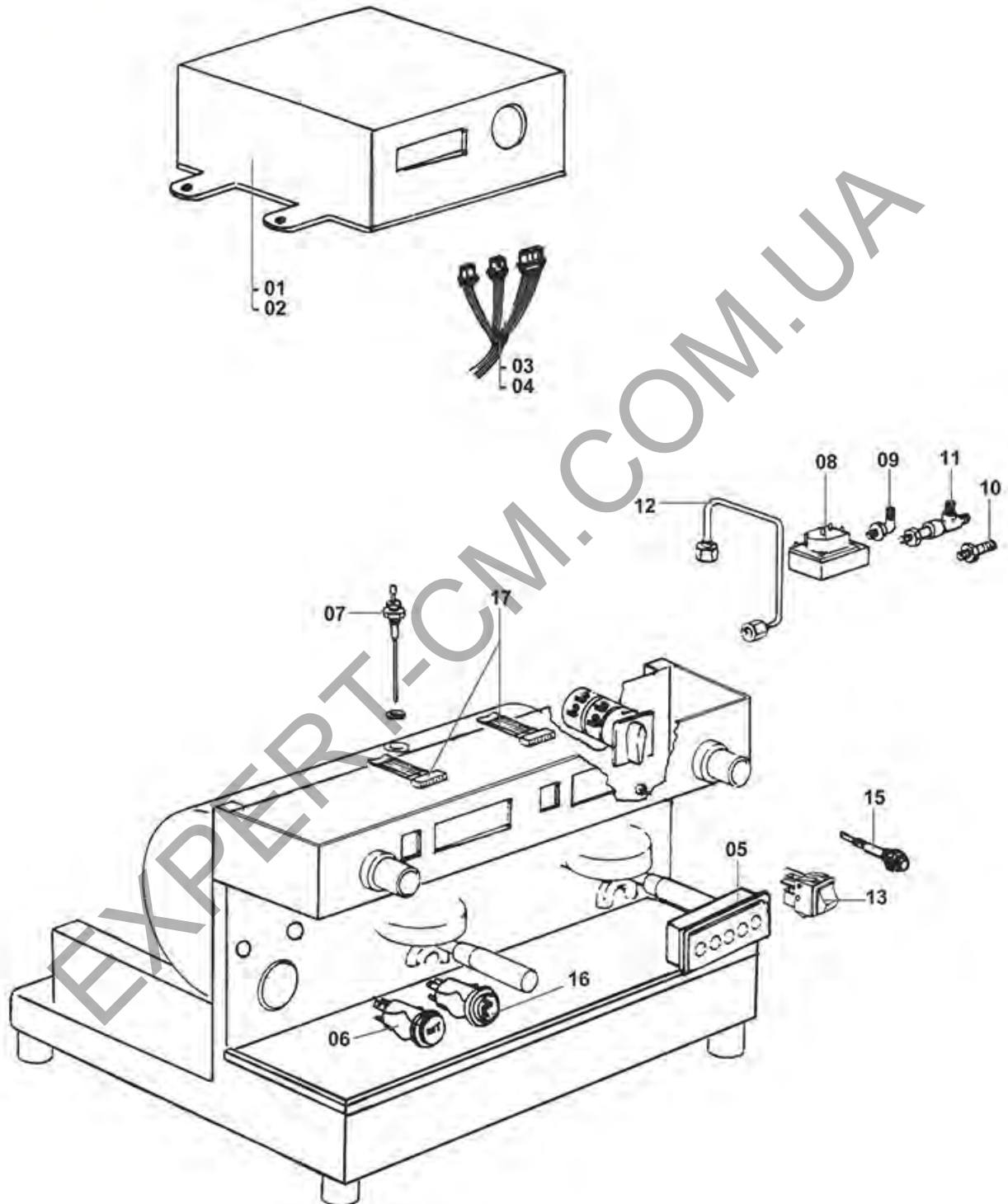
Position	LF code no.	Description
4	1054006	DOSER CONTROL BOX 3 GROUPS 230V
8	1054056	DOSER CONTROL BOX 2/3 GROUPS 240V
16	1455067	VOLUMETRIC FLOW METER GICAR
17	1319440	PUSH-BUTTON PANEL 5 BUTTONS
19	1057034	SELECTOR SWITCH 0-3 POSITIONS 16A 300V
22	1319005	BIPOLAR SWITCH 16A 250V
24	1319595	OVAL CHROMED PUSH-BUTTON 17x12.5 mm
25	1221060	RED INDICATOR LIGHT 250V
26	1527020	DRAIN TANK
32	1320531	PRESSURE SWITCH P302/6 3-POLES 30A
35	1443078	CONTACT THERMOSTAT 130°C 10A 250V

EXPERT-CM.COM.UA



## ELECTRICAL PARTS SILVER

SILVER



VBM7802



# VIBIEMME



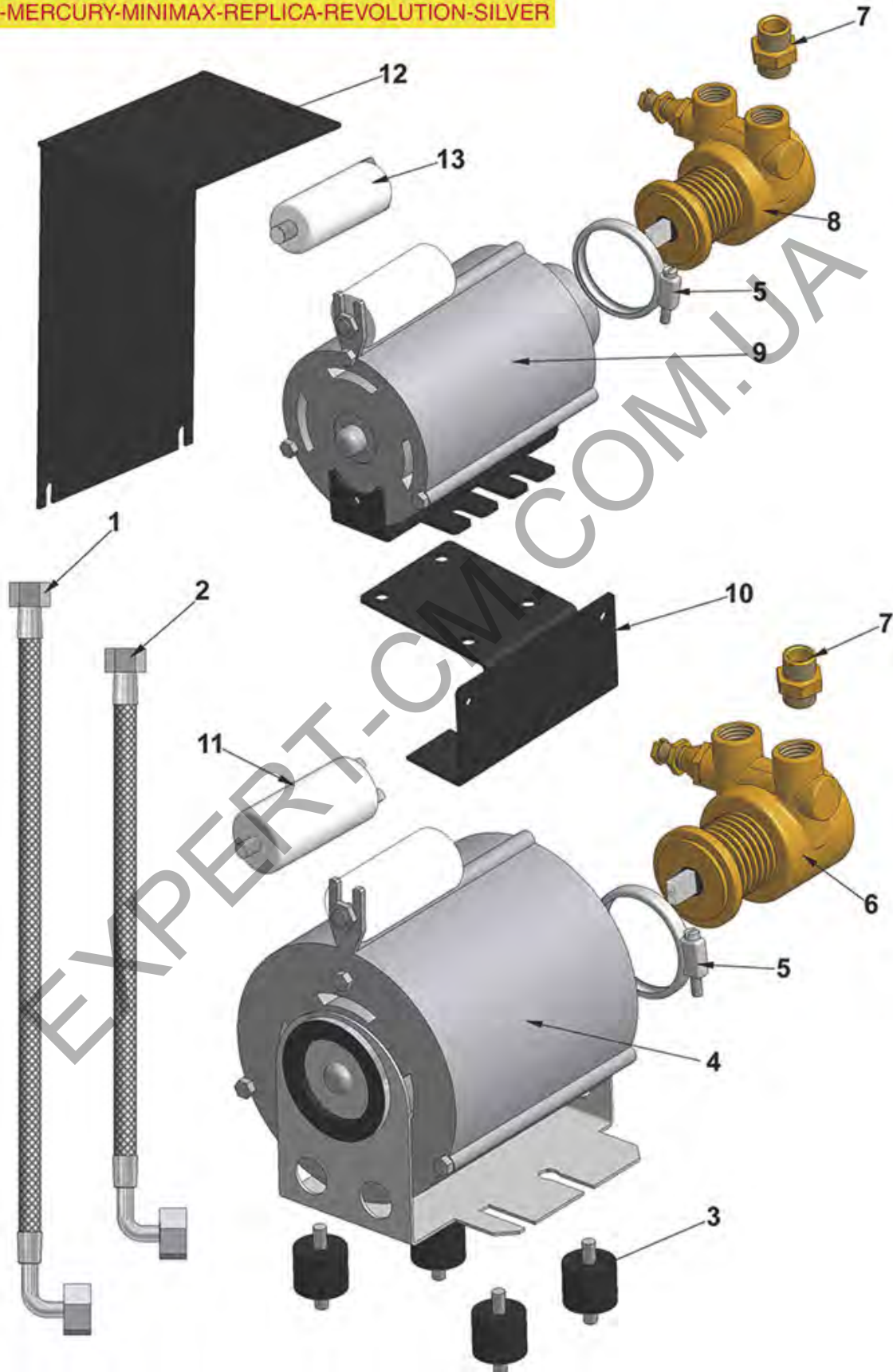
Position	LF code no.	Description
1	1054001	DOSER CONTROL BOX 2 GROUPS 230V
2	1054004	DOSER CONTROL BOX 3 GROUPS 230V
5	1319148	PUSH-BUTTON PANEL 5 BUTTONS
6	3319948	RED BIPOLAR SWITCH 16A 250V
7	3341011	LEVEL PROBE $\varnothing$ 1/4"M-140 mm
8	1455067	VOLUMETRIC FLOW METER GICAR
13	3319529	BIPOlar SWITCH BLACK 10A 250V
14	1319036	SELECTOR SWITCH 0-2 POSITIONS 20A 690V
15	1221060	RED INDICATOR LIGHT 250V

EXPERT-CM.COM.UA



## MOTORS AND PUMPS

CHIMAERA-CUBO-DOSAPLUS-EVOLUTION-KOMETA  
Lollo-MERCURY-MINIMAX-REPLICA-REVOLUTION-SILVER



VBM8002



# VIBIEMME



Position	LF code no.	Description
2	1449732	FLEX HOSE Ø 3/8"Fc x CFc 500 MM
3	1026005	DAMPER ø 25x21 mm M6
4	1240702	MOTOR RPM WITH CLAMP CONNECTION 165W
5	1168011	STAINLESS STEEL CLAMP FOR FLANGE PUMP
6	1330008	ROTARY VANE PUMP ROTOFLOW ø 3/8" GAS
6	1330016	ROTARY VANE PUMP PROCON ø 3/8" NPT
7	1349103	FITTING ø 3/8"M-3/8"M
9	1240375	RPM CLAMP MOTOR 100W
11	3068016	CAPACITOR DUCATI ENERGIA 10µF
13	3068014	CAPACITOR DUCATI ENERGIA 8µF

EXPERT-CM.COM.UA





PRESSURE-GAUGES

DOMOBAR



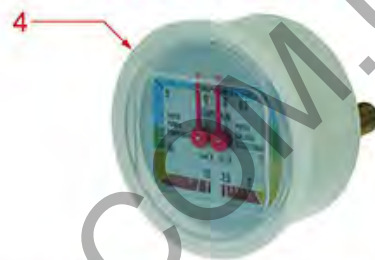
DOMOBARSUPER



MERCURY - MINIMAX



EVOLUTION - REVOLUTION



CHIMAERA - EVOLUTION - LOLLO  
REPLICA - REVOLUTION



CHIMAERA - EVOLUTION - LOLLO  
REPLICA - REVOLUTION



DOMOBARJUNIOR  
DOMOBARSUPER - LOLLO



DOMOBARJUNIOR  
DOMOBARSUPER - LOLLO



DOMOBAR

