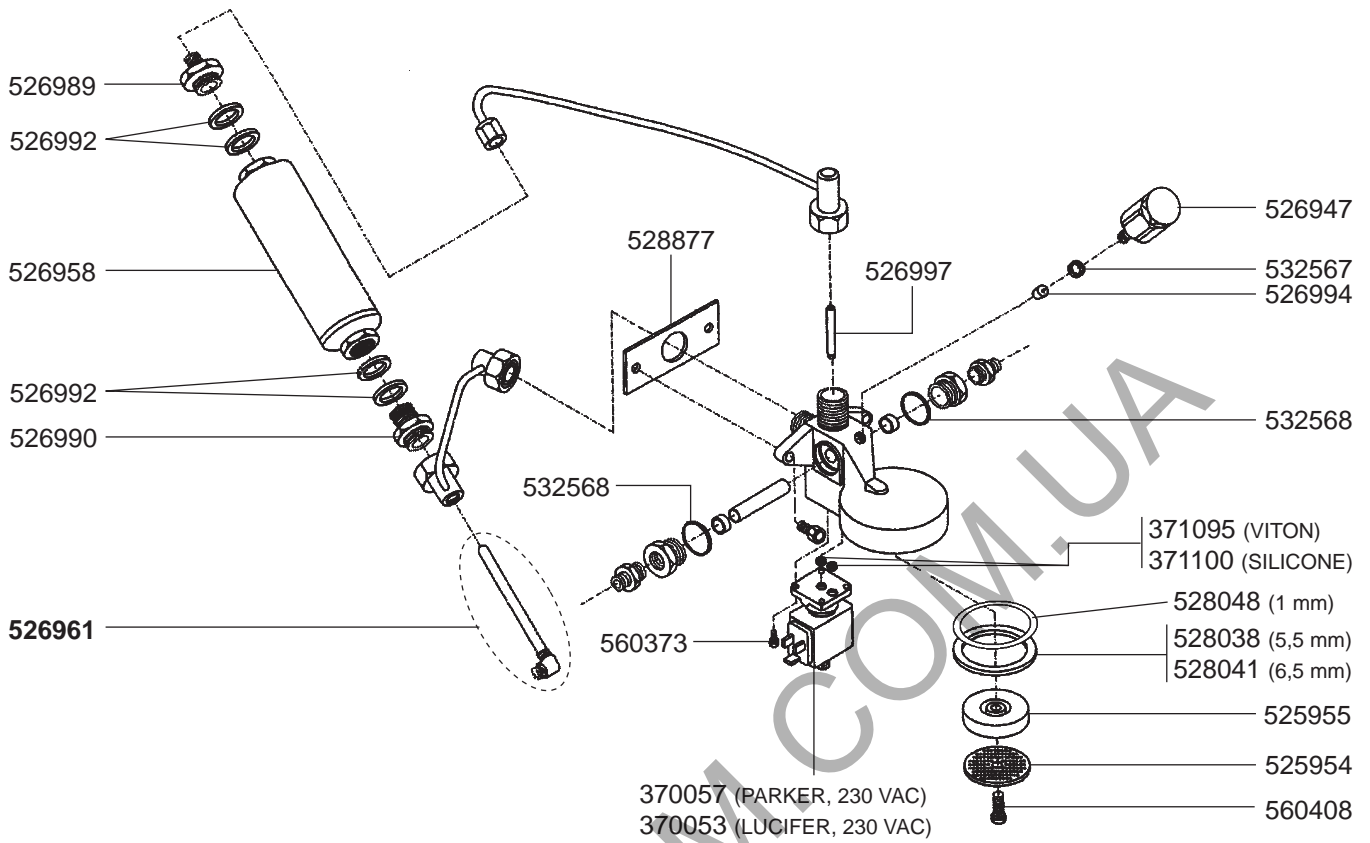
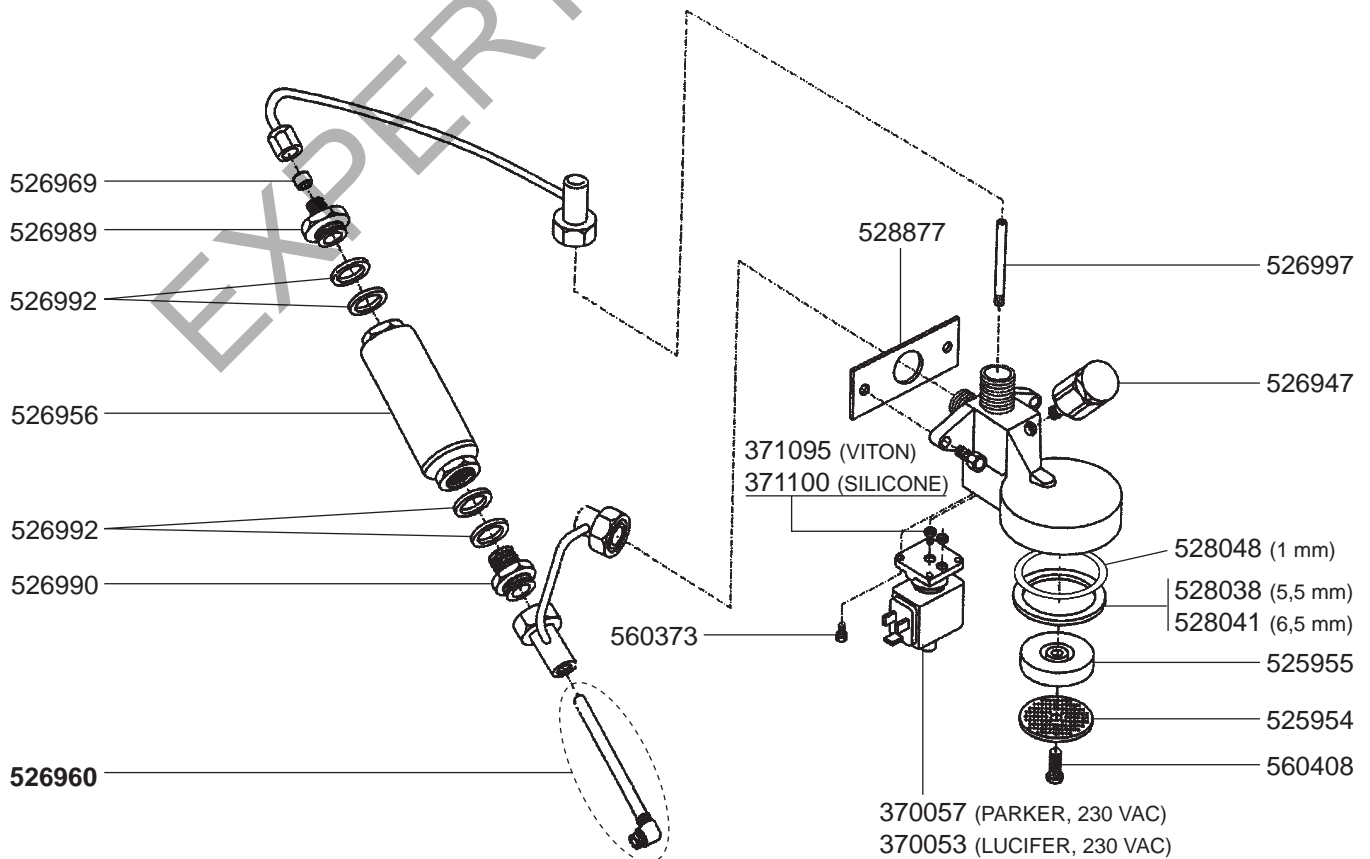


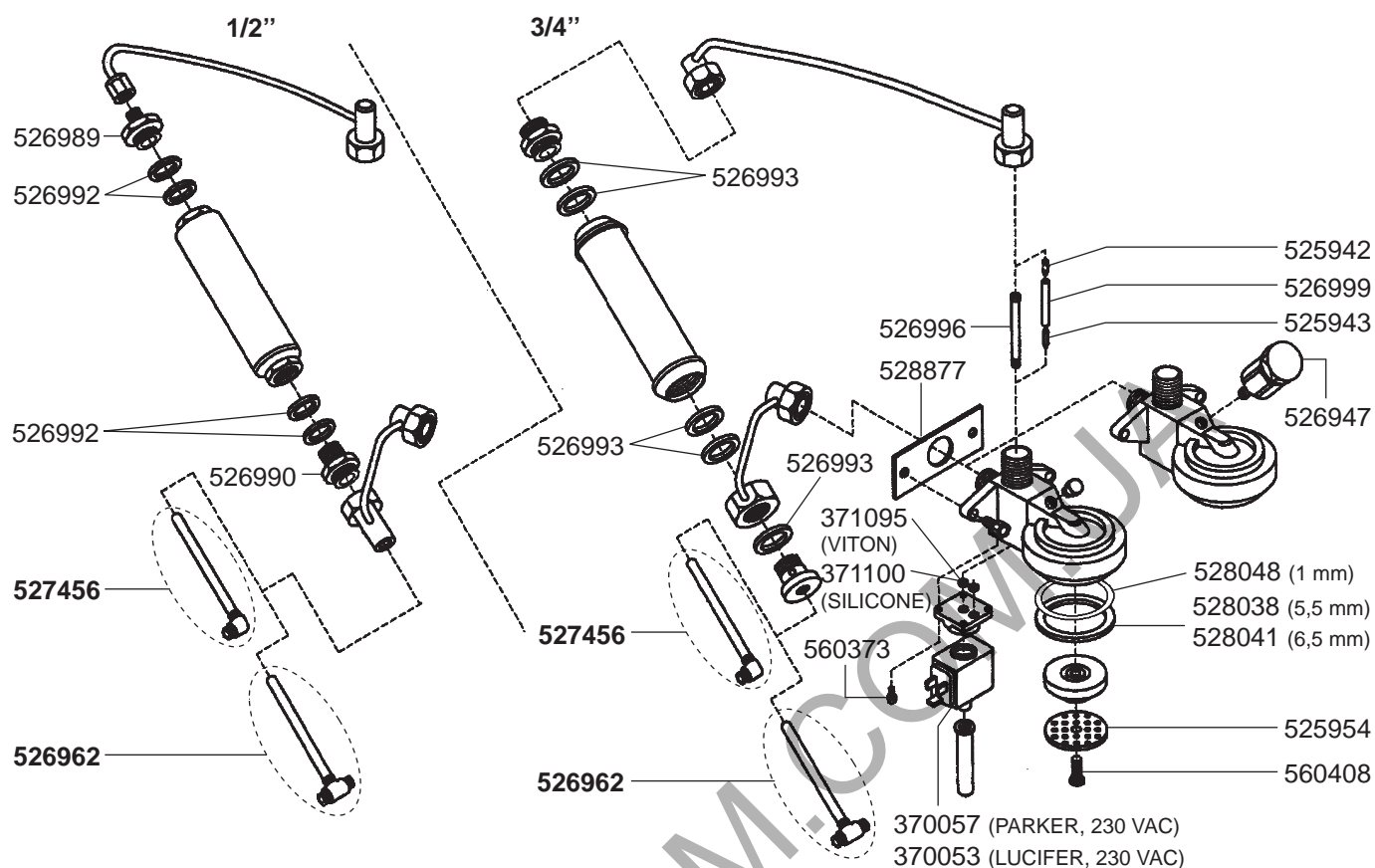
GROUP 105



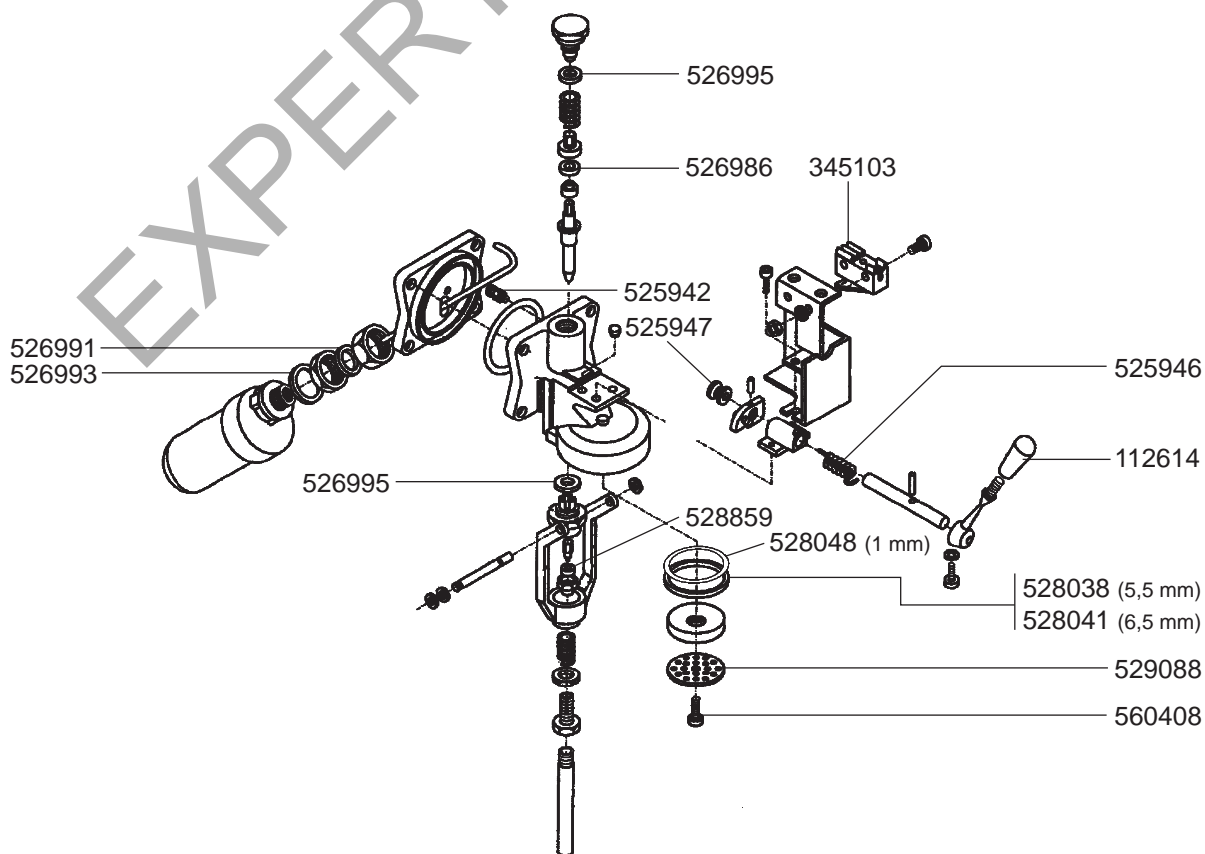
GROUP 105-1GR



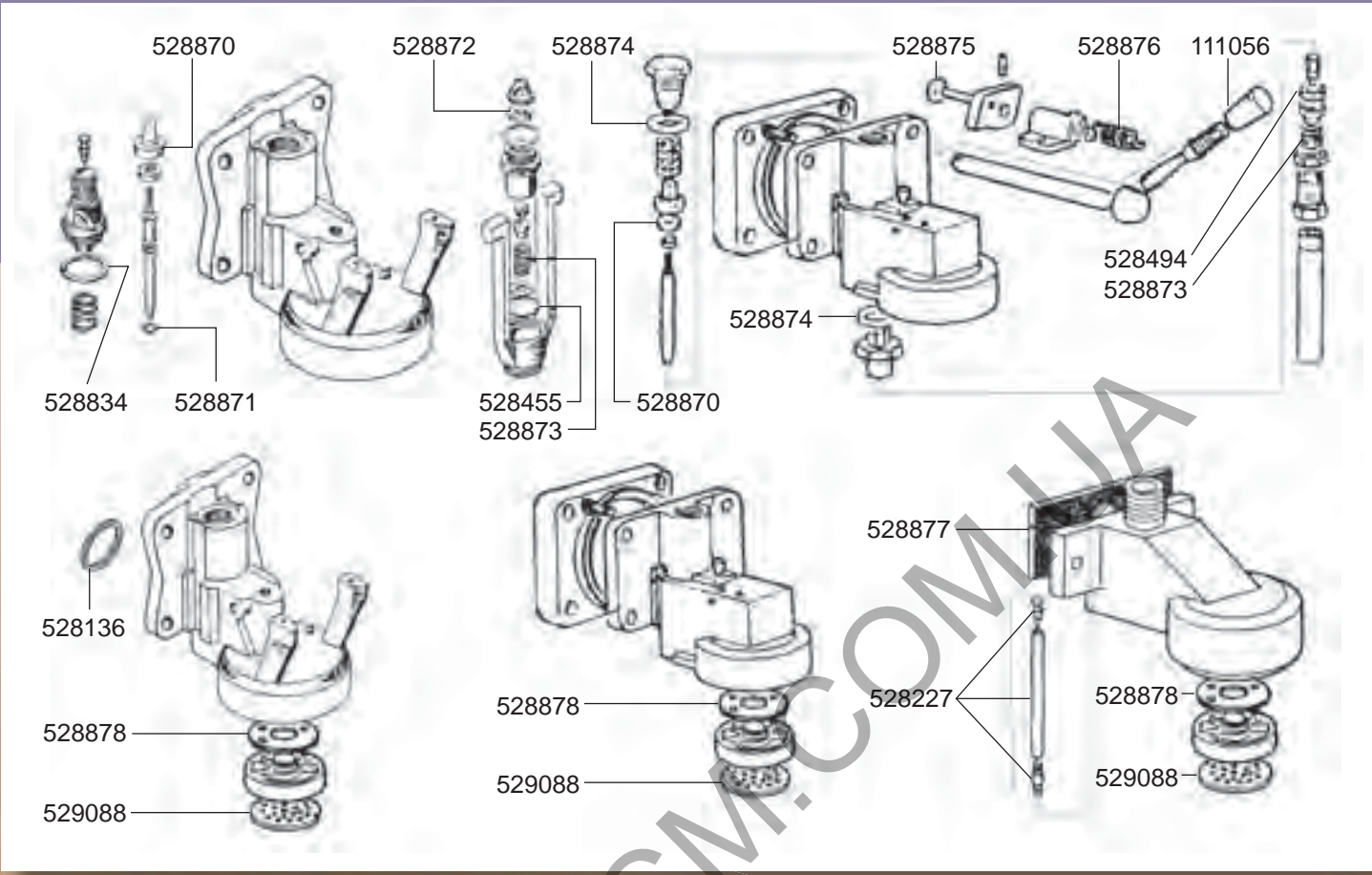
GROUP 85/95



GROUP 85



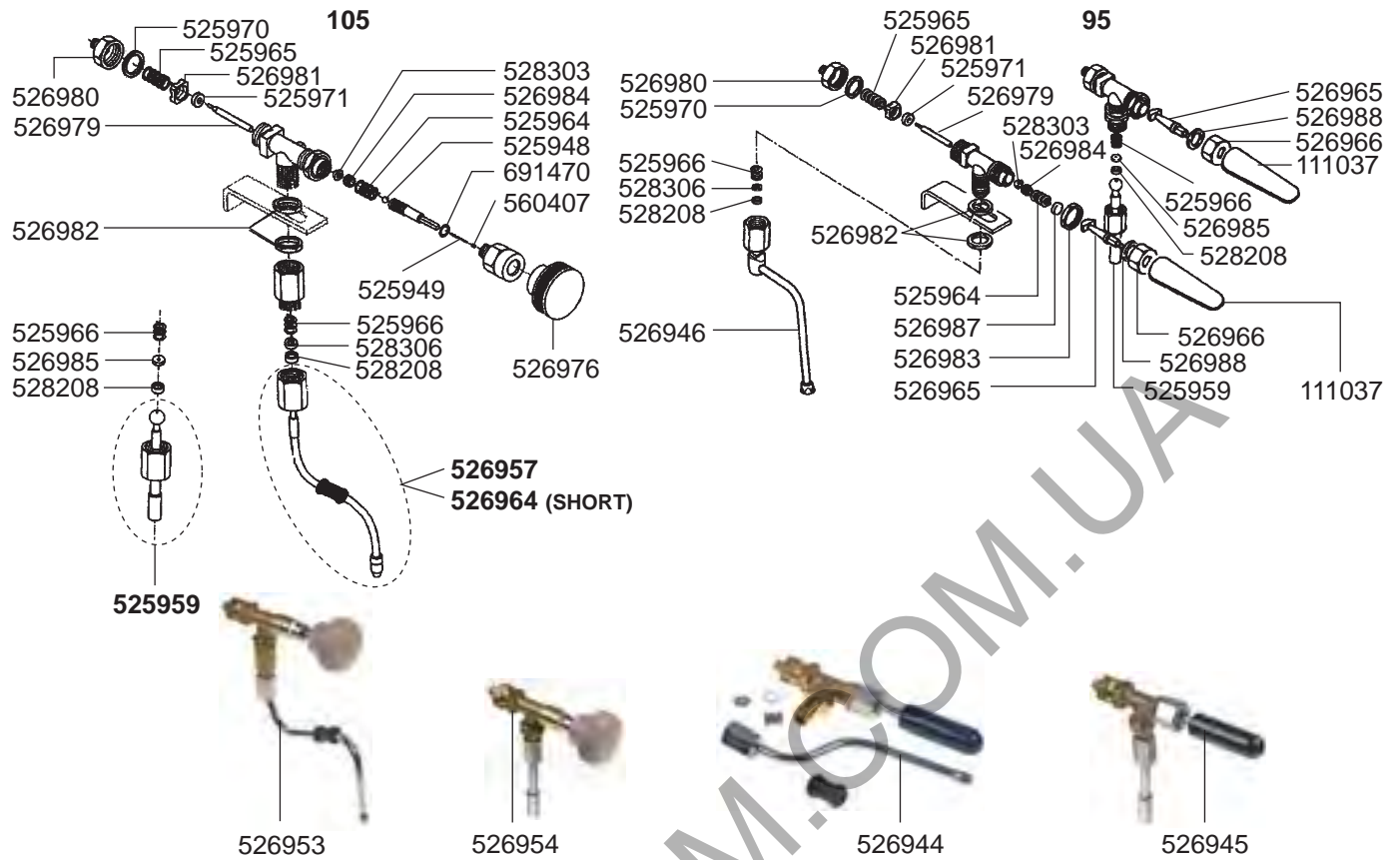
OLD MODEL GROUPS



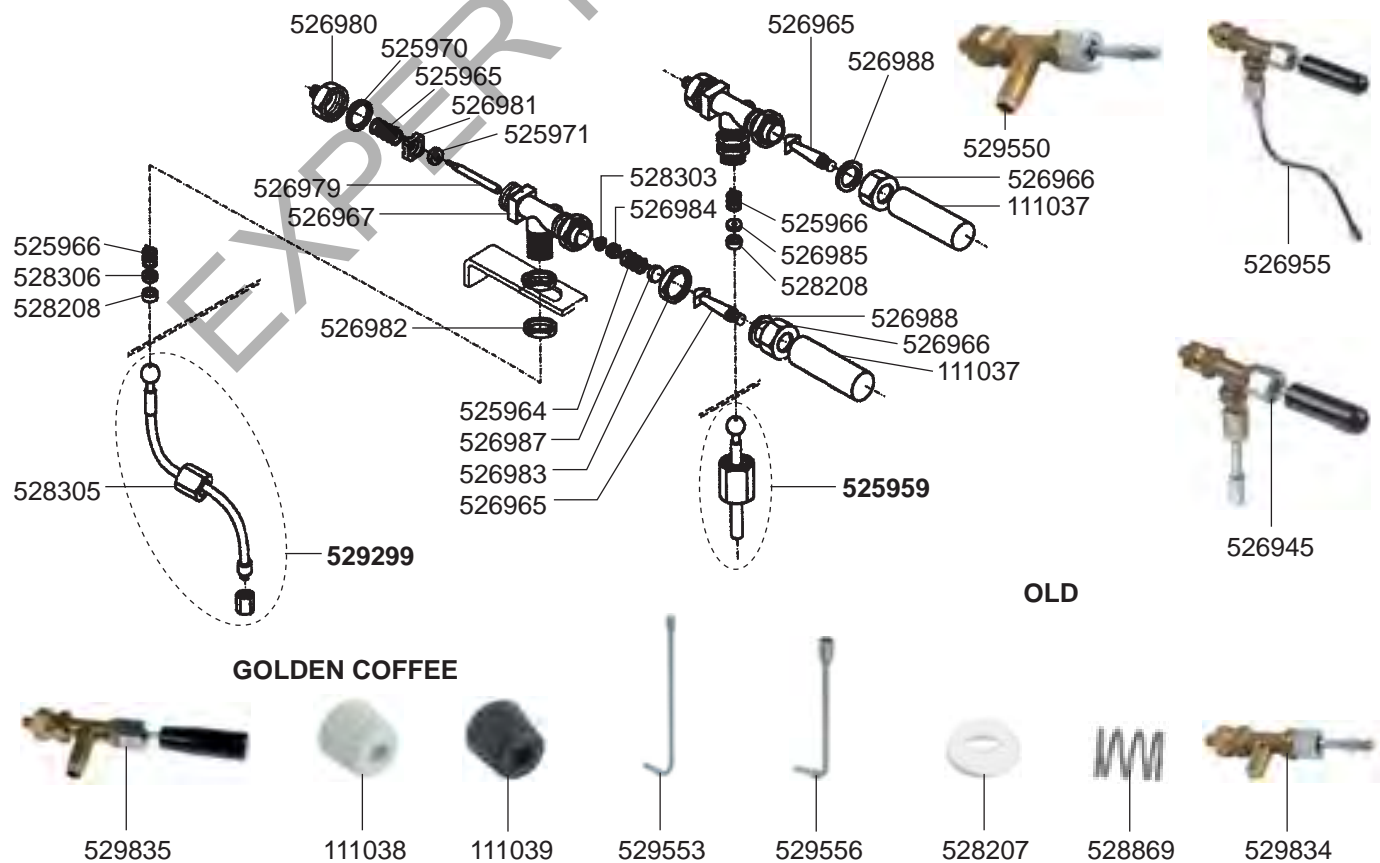
FILTER HOLDERS



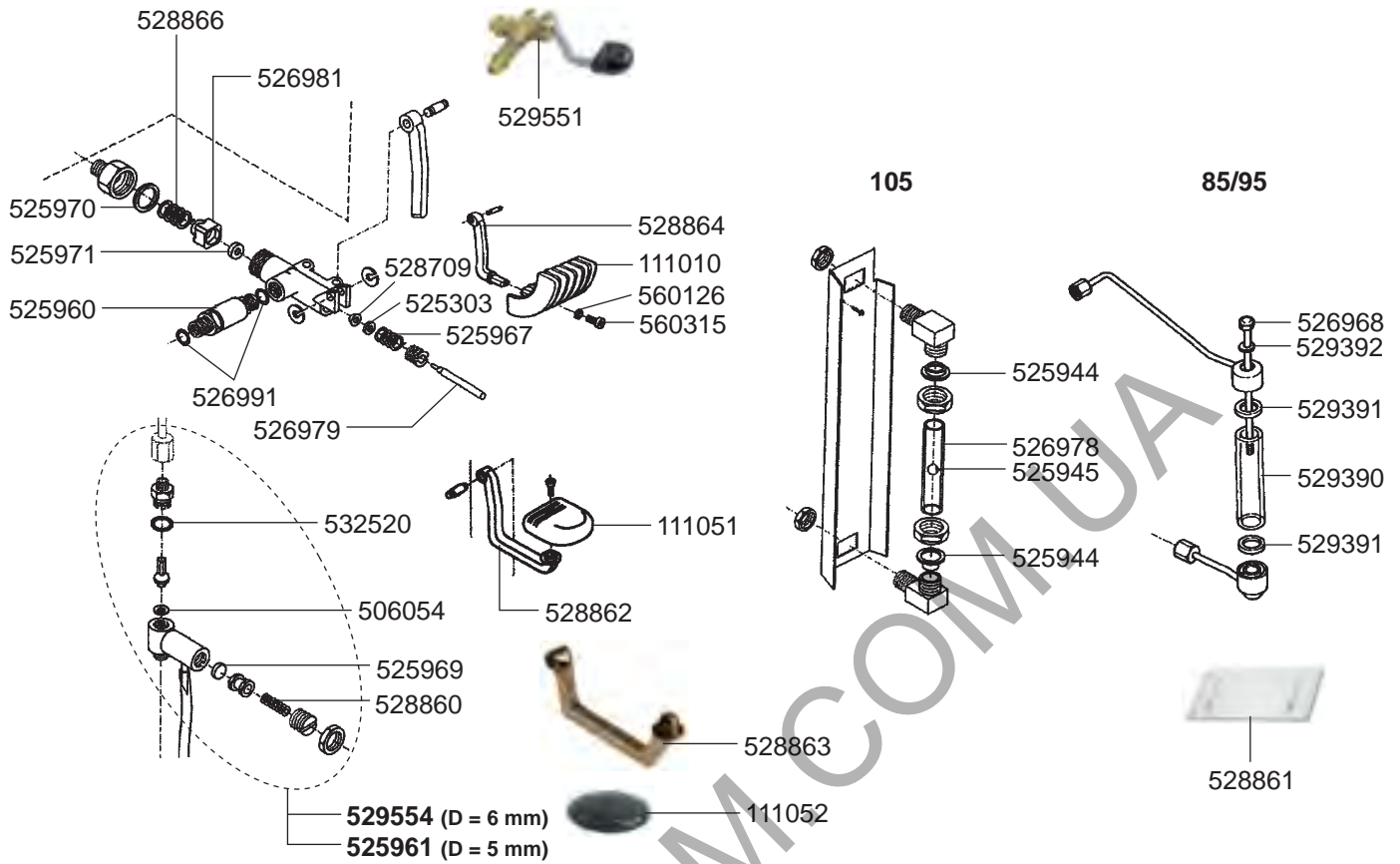
STEAM/WATER TAPS 105/95



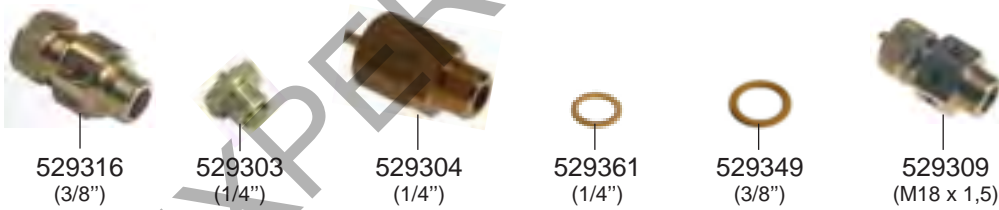
STEAM/WATER TAPS 85



Inlet VALVE/VALVES/LEVEL INDICATOR



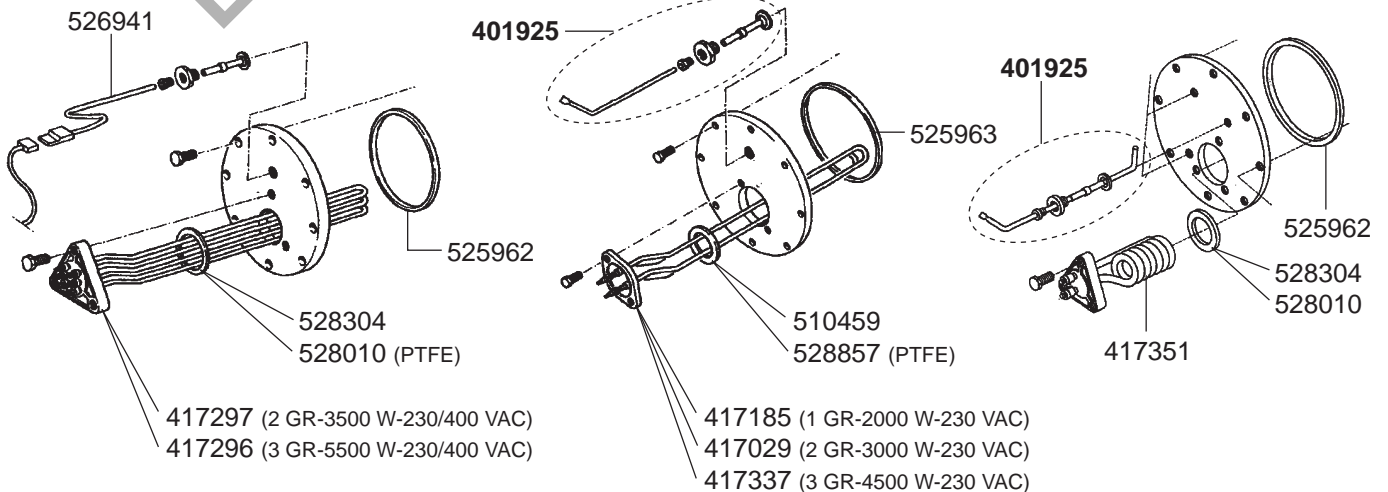
BOILER VARIOUS



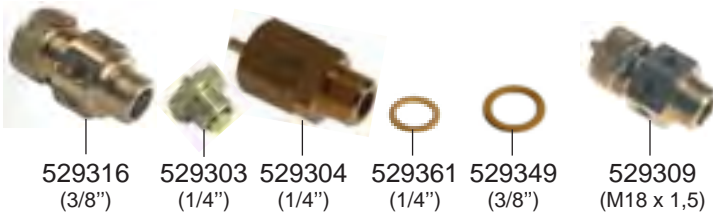
85/95

95 PRACTICAL/95 SPRINT

85 PRACTICAL



BOILER/MANOMETERS/DRIP TRAYS VARIOUS



529316 (3/8") 529303 (1/4") 529304 (1/4") 529361 (1/4") 529349 (3/8") 529309 (M18 x 1,5)



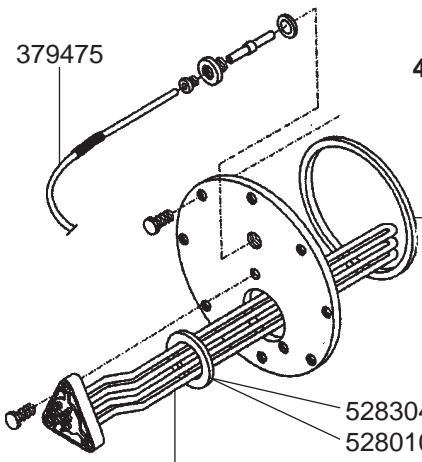
541220 (85/95) 541720 (105)

105

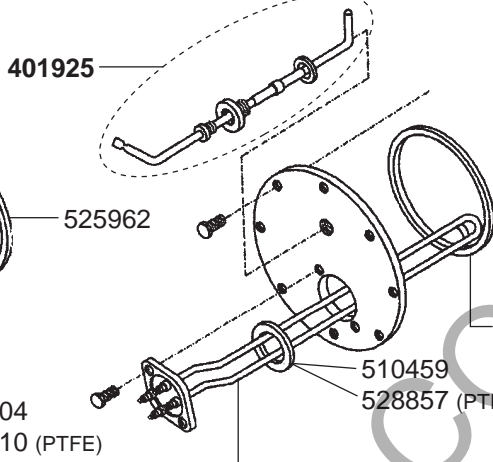
105 1 GR-105 COMPACT



529751 (85/95) 526975 (105)



379475
417297 (2 GR-3500 W-230/400 VAC)
417296 (3 GR-5500 W-230/400 VAC)



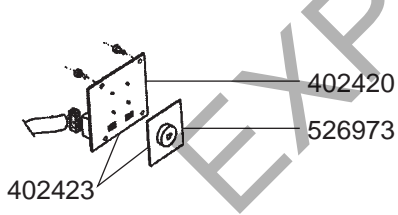
401925
417185 (1 GR-2000 W-230 VAC)
417029 (COMPACT-3000 W-230 VAC)



525962 525963 510459 528857 (PTFE)
390324
528010 (PTFE)
417026 (1 GR-1000 W-230 VAC)
417027 (2 GR-1300 W-230 VAC)
417142 (3 GR-1850 W-230 VAC)

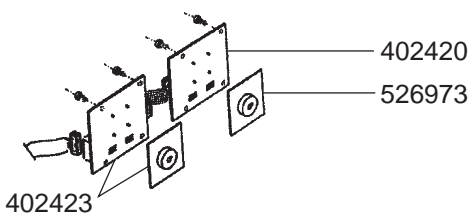
ELECTRICAL COMPONENTS 105

MOD. 1 GRUPPO S



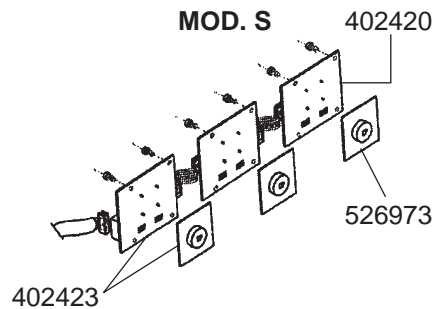
402423 402420 526973

MOD. COMPACT S



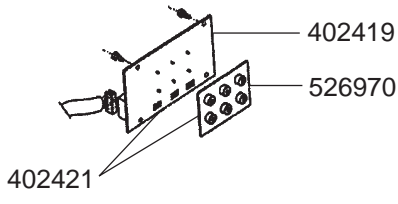
402423 402420 526973

MOD. S



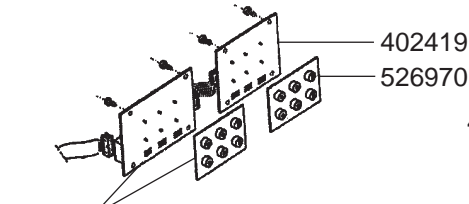
402423 402420 526973

MOD. 1 GRUPPO S



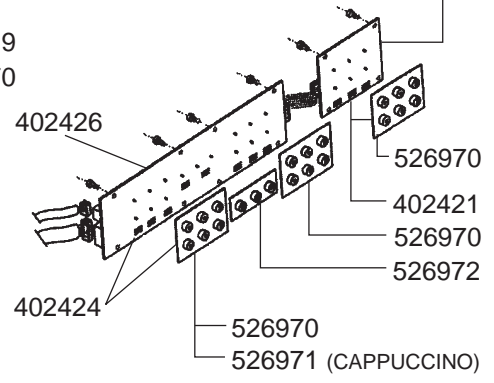
402421 402419 526970

MOD. COMPACT E



402421 402419 526970

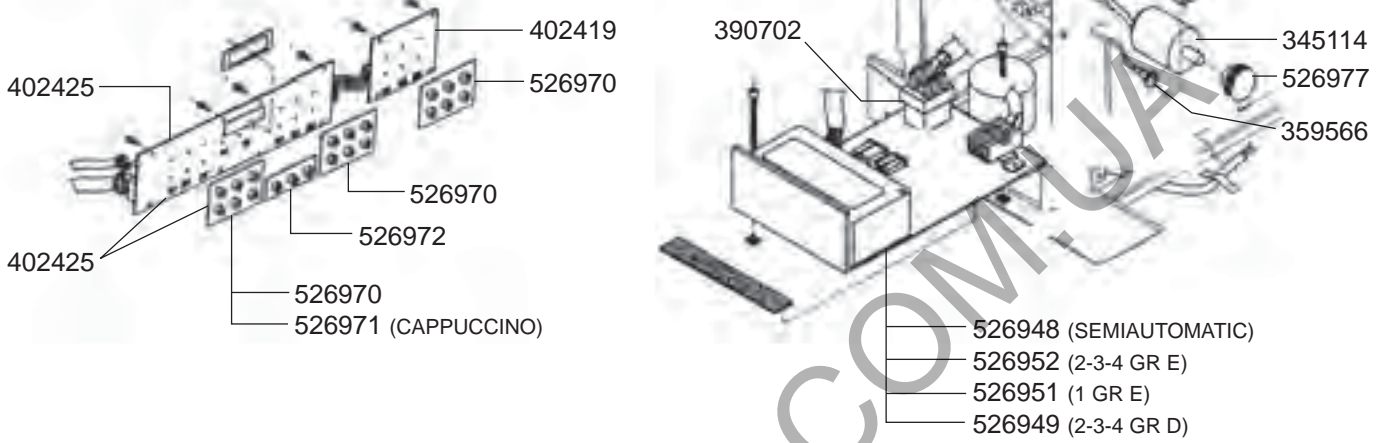
MOD. E



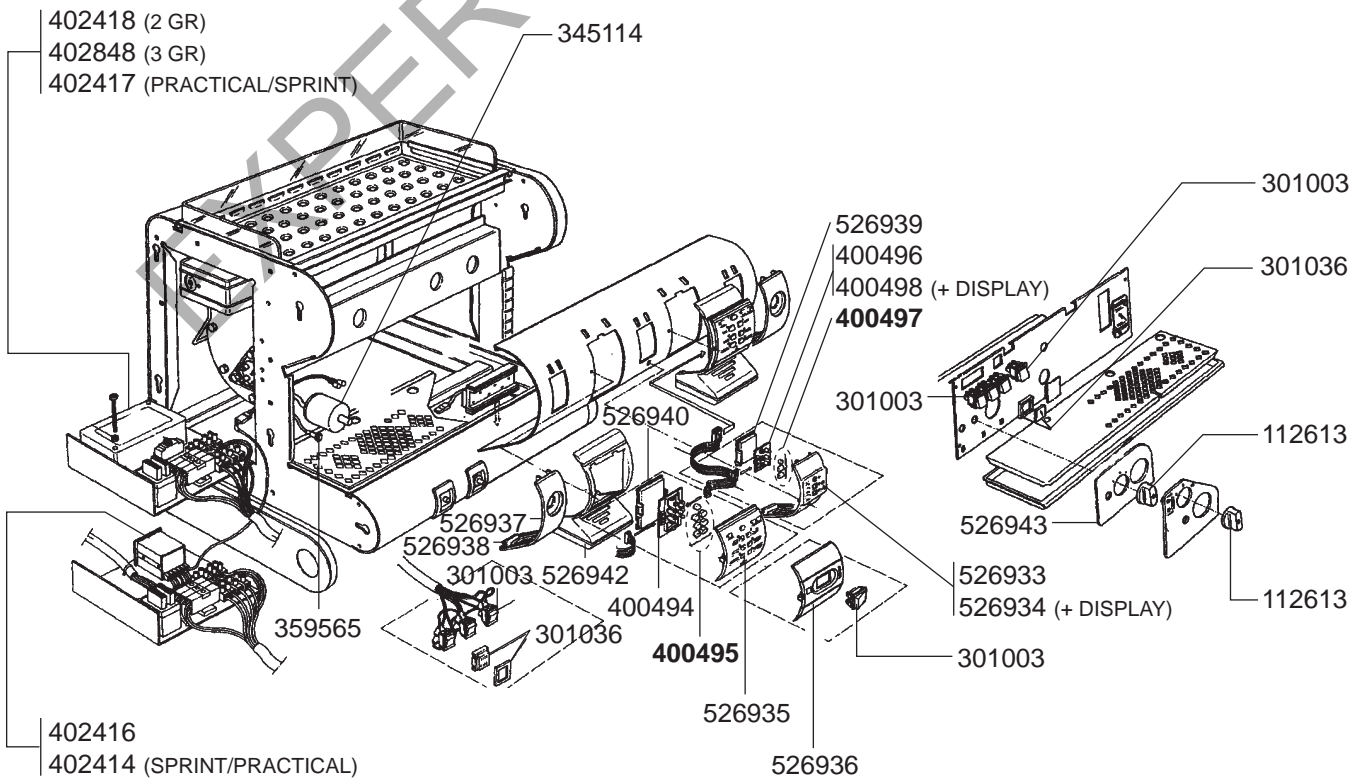
402426 402424 402421 526970 526972 526970 526971 (CAPPUCCINO)

ELECTRICAL COMPONENTS 105

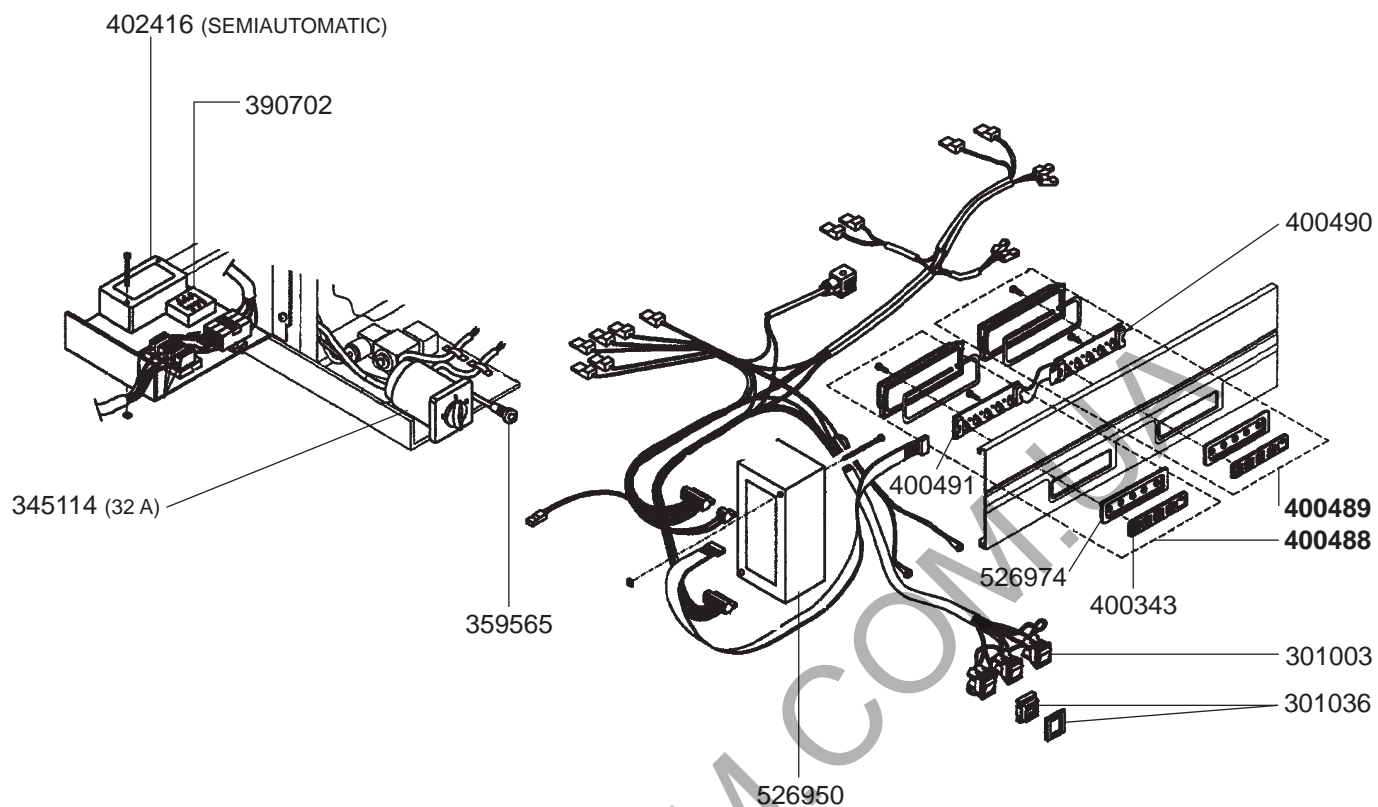
MOD. D



ELECTRICAL COMPONENTS 95



ELECTRICAL COMPONENTS 85



ELECTRICAL COMPONENTS VARIOUS



400004



400256



400257



400258



541021
(SIRAI, 30 AMP,
3 POLES)



541724
(SIRAI, 20 AMP,
3 POLES)



541723
(SIRAI, 20 AMP,
2 POLES)



541453
(PARKER)



370057
(PARKER 230 VAC)
370053
(LUCIFER 230 VAC)



370062
(PANKER)
370061
(LUCIFER)



370206 (PARKER 230 VAC-1/8")
370067 (PARKER 230 VAC-1/4")
370072 (LUCIFER 230 VAC-1/8")
370088 (LUCIFER 230 VAC-1/4")



371029
(PARKER 230 VAC)
371031
(LUCIFER 230 VAC)



371090



371095 (VITON)
371100 (SILICONE)



400230
(GICAR ref 9.1.10.24)



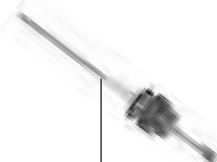
400017
(GICAR ref 9.1.40.02)



380136
(11 POLES)



402103
(GICAR ref 9.1.40.71G)



400020
(L = 150 mm)