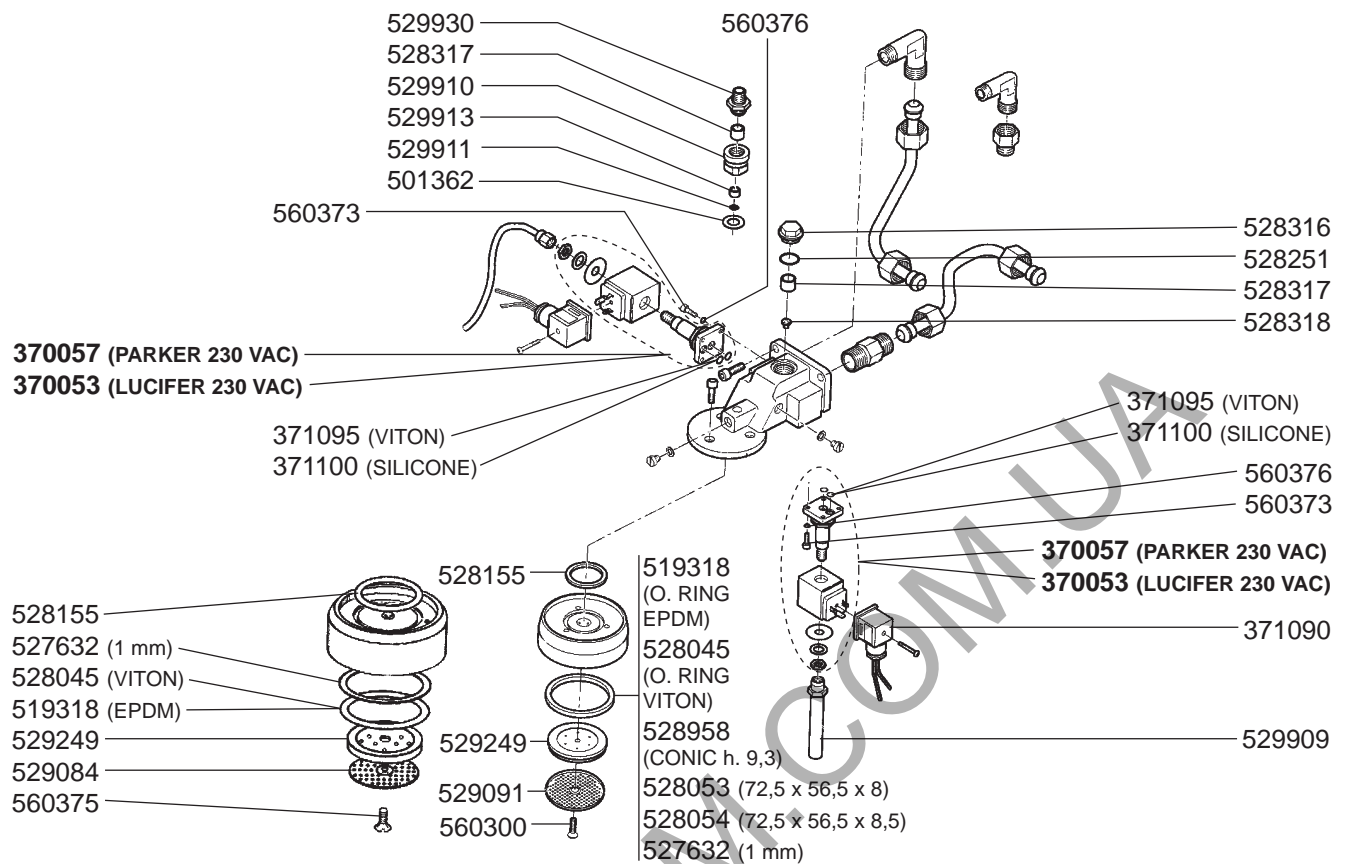
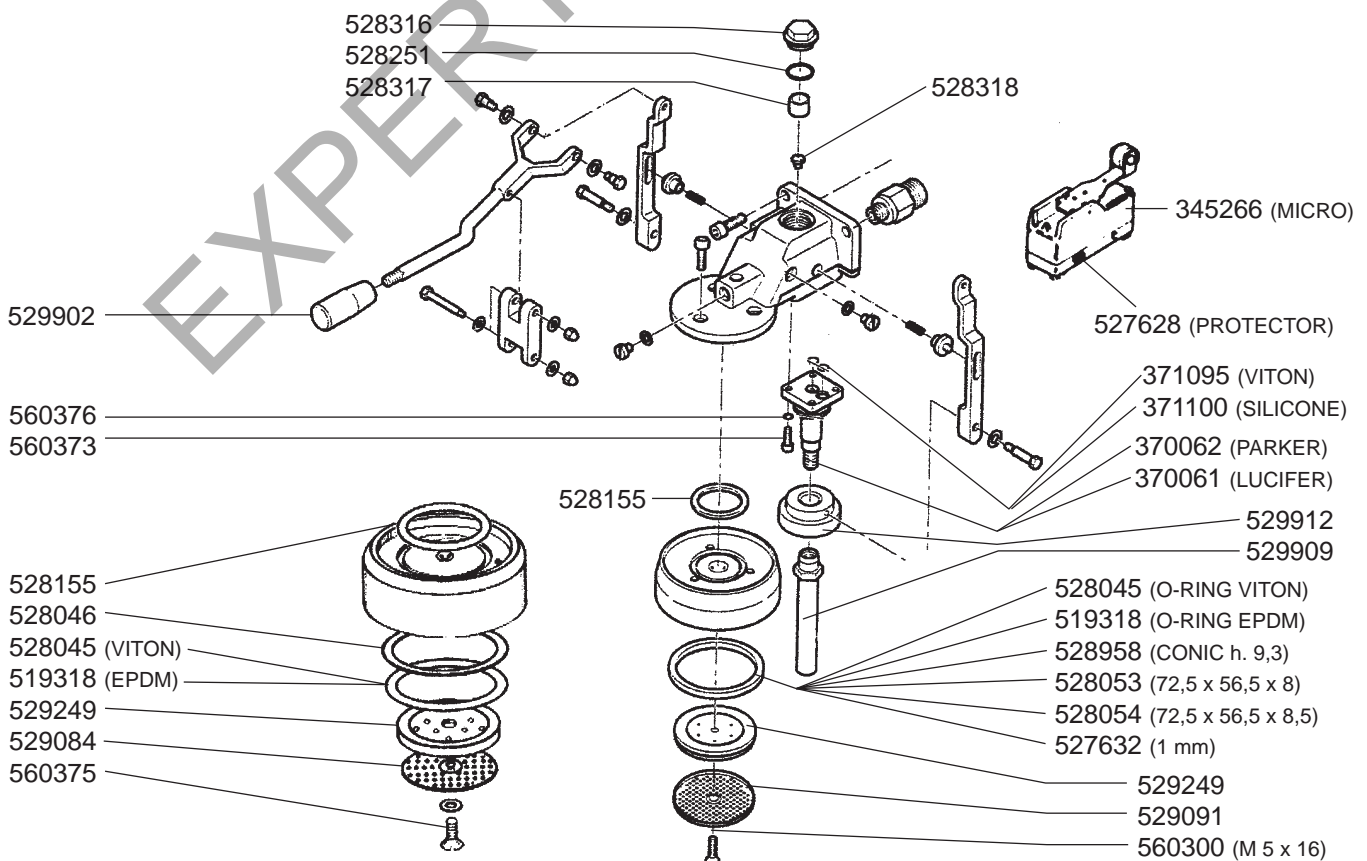


SOLENOID GROUP



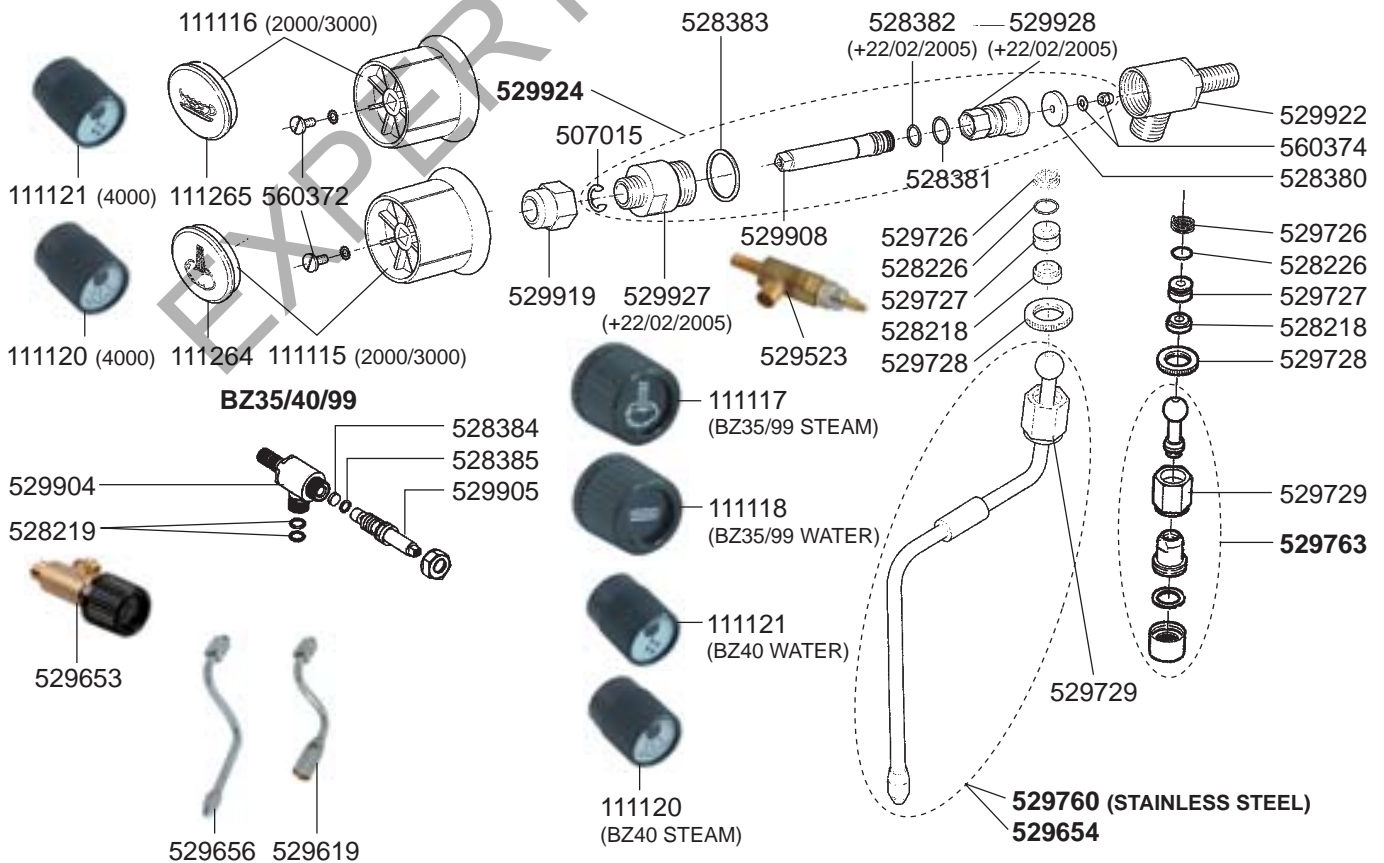
MANUAL GROUP



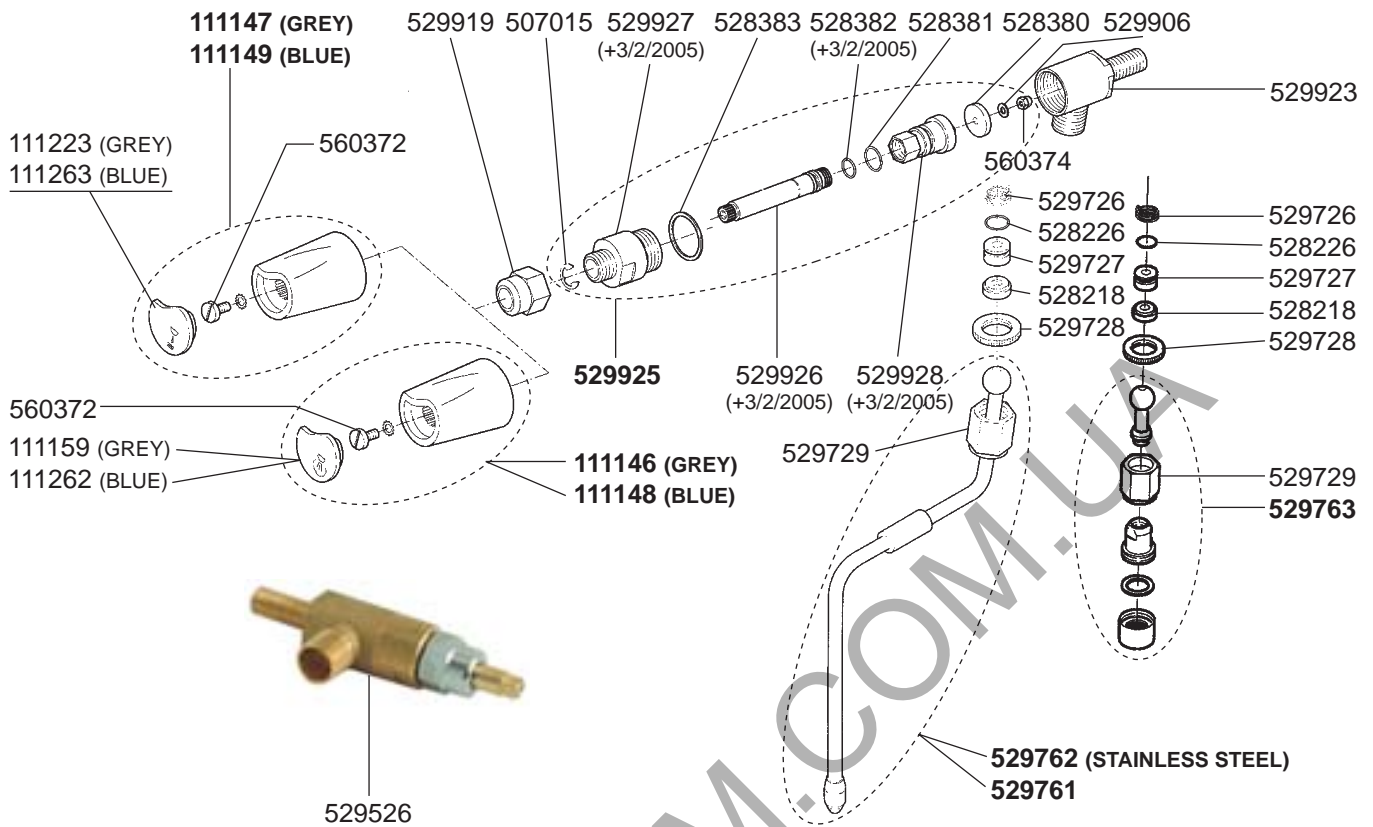
FILTER HOLDERS



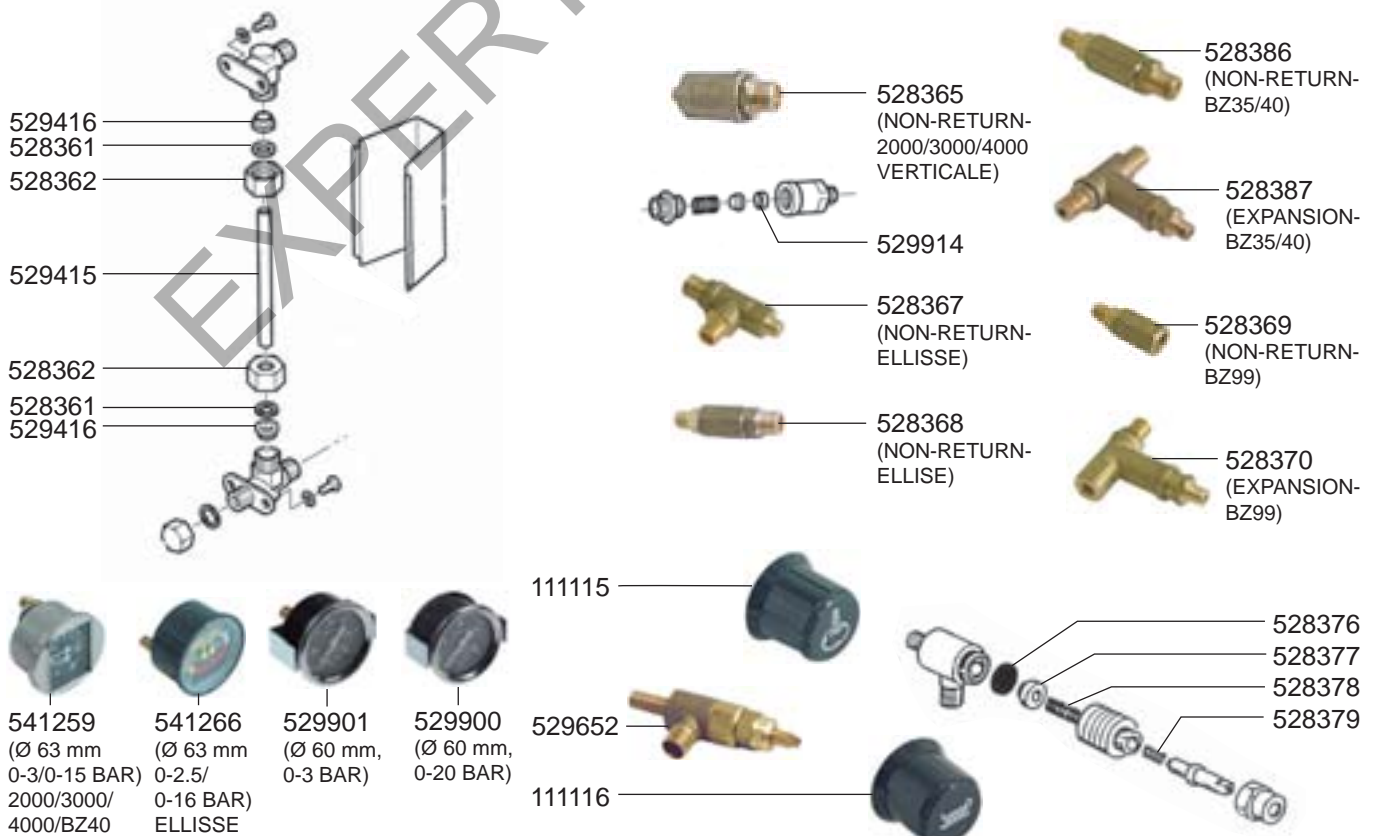
STEAM/WATER TAPS 2000/3000/4000/BZ35/40/99



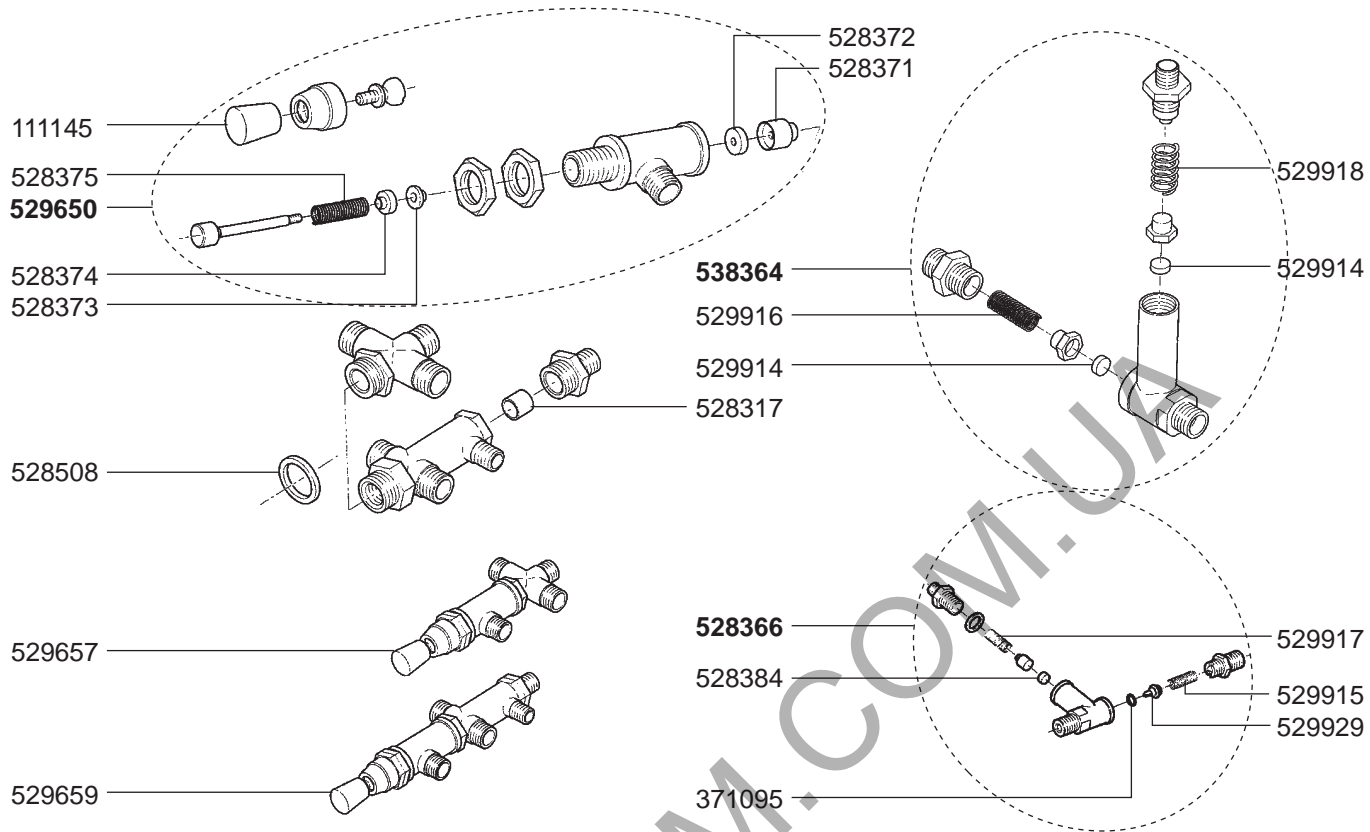
STEAM/WATER TAPS ELLISSE



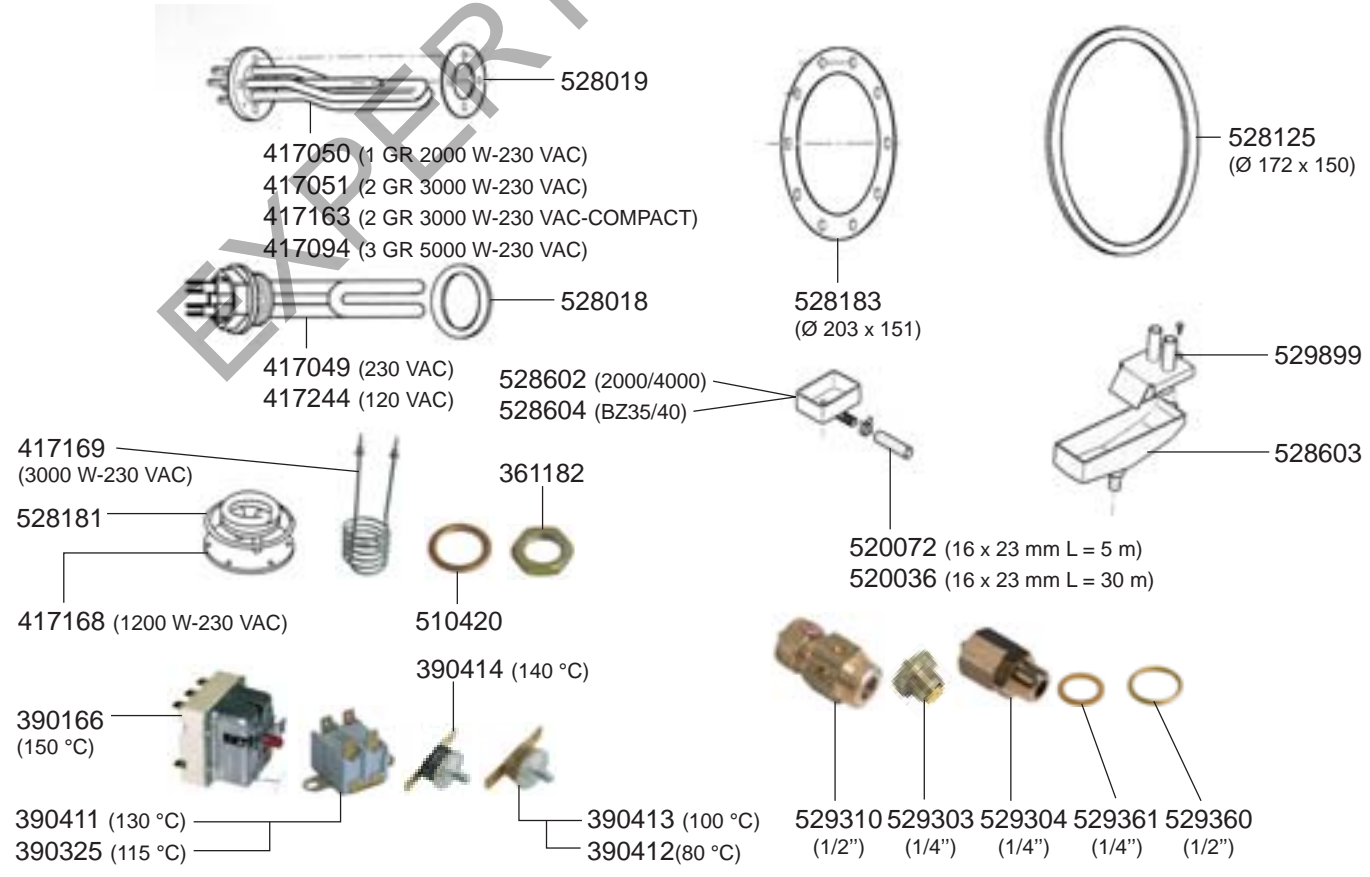
LEVEL INDICATOR/VALVES



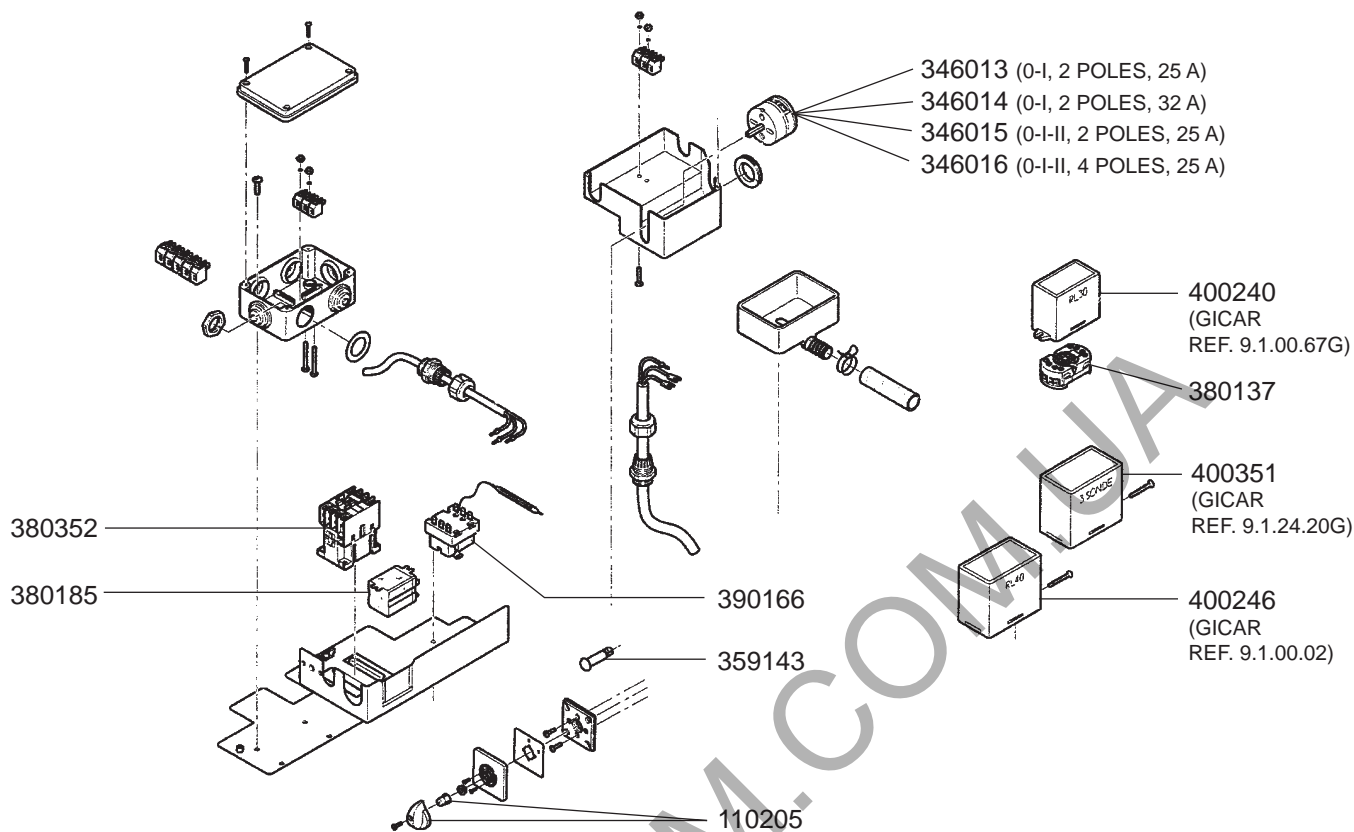
VALVES



BOILER/DRIP TRAYS/THERMOSTATS VARIOUS



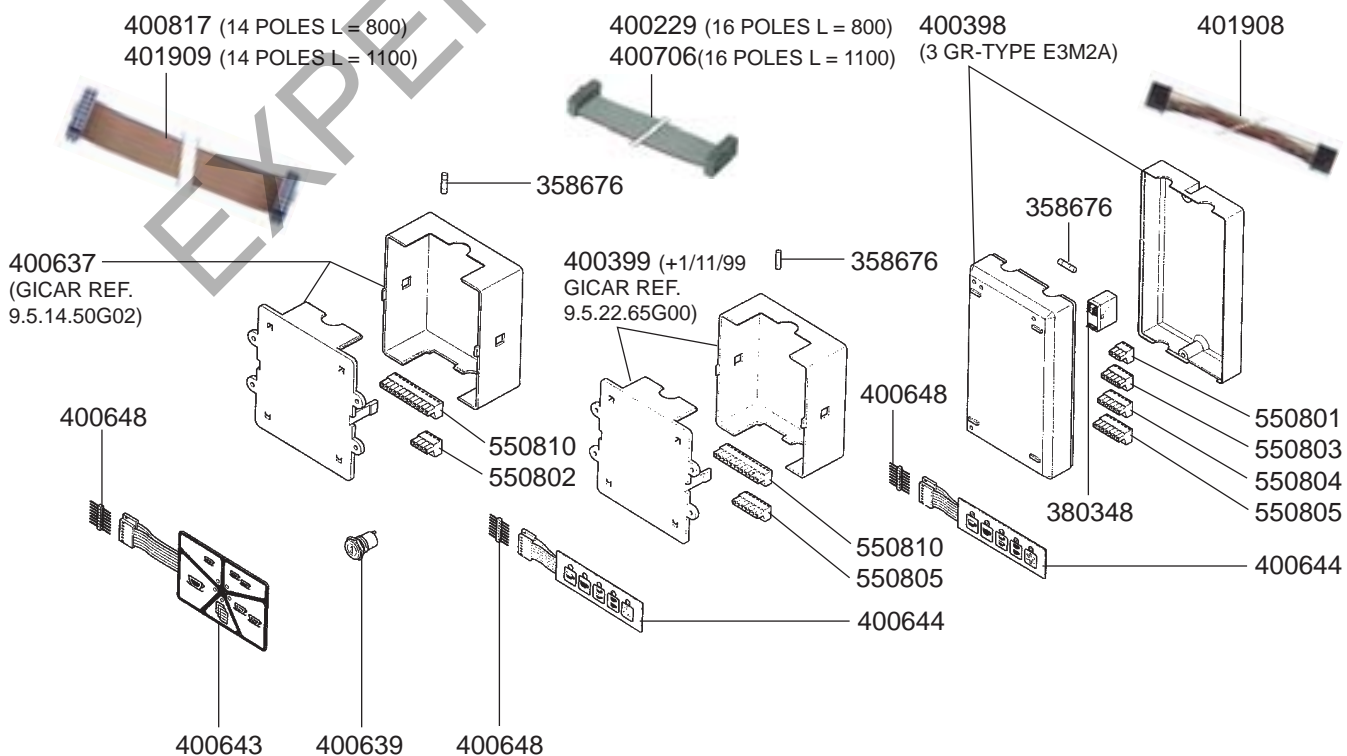
ELECTRICAL COMPONENTS B2000

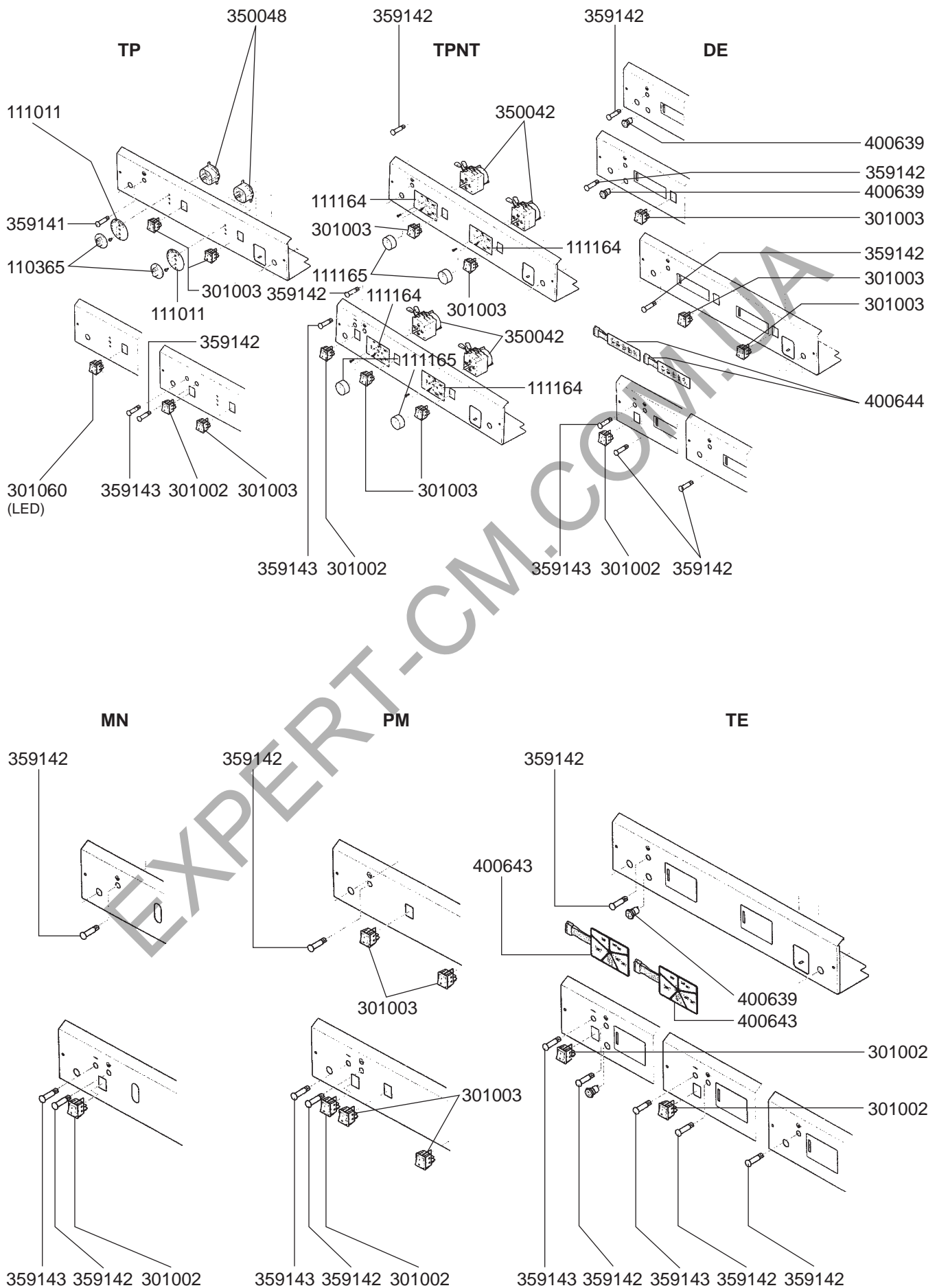


TE

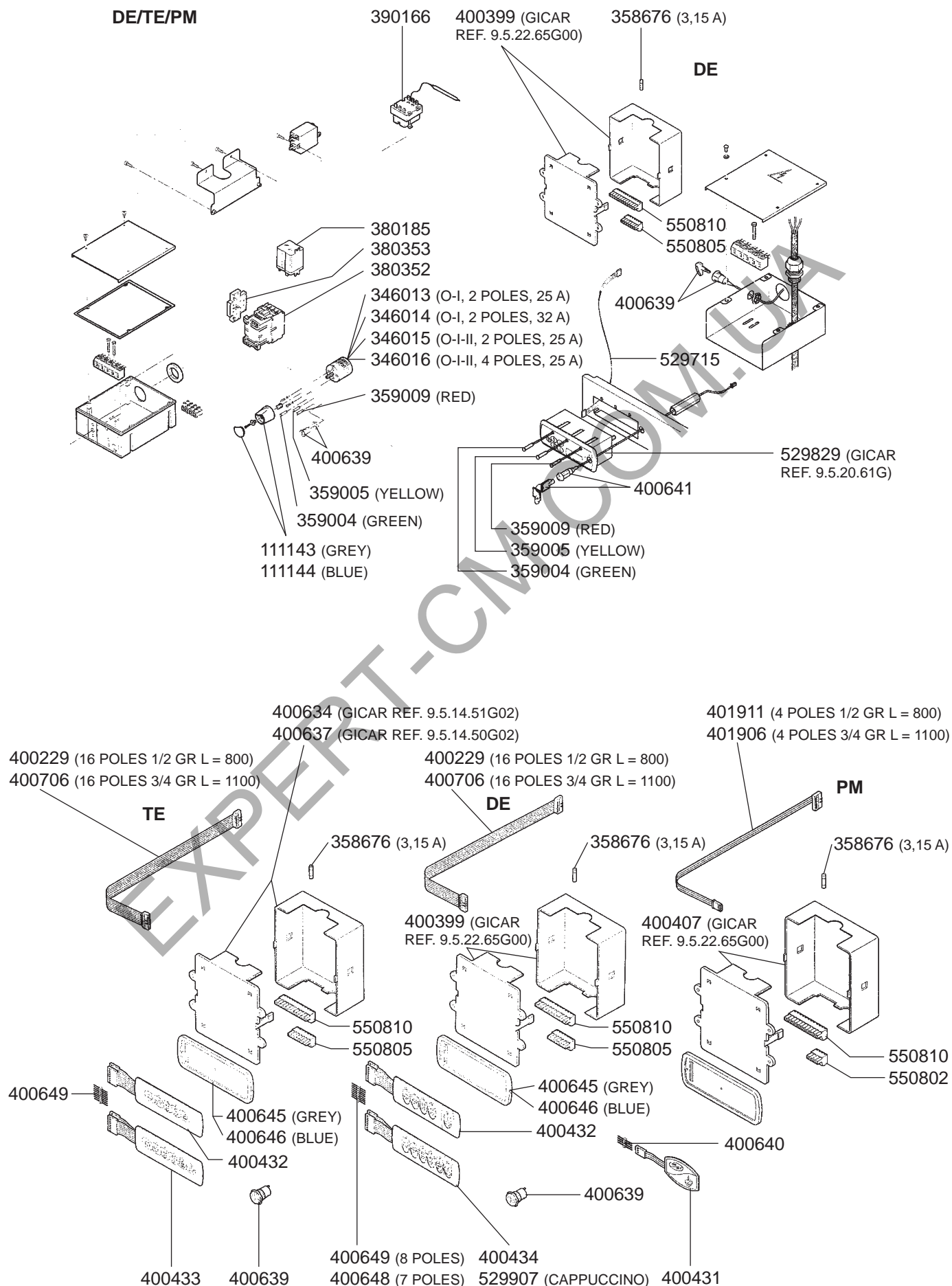
DE +1/11/1999

DE -30/10/1999





ELECTRICAL COMPONENTS ELLISSE



ELECTRICAL COMPONENTS VARIOUS

TEB

345163 (PUSH-BUTTON/YELLOW) 345162 (SWITCH-YELLOW) 345161 (SWITCH-GREEN) 346074 (SWITCH-RED)

400630 400608 380349

359142 (GREEN) 359143 (YELLOW) 359004 (GREEN) 359005 (YELLOW) 359009 (RED)

400647 400388 (GICAR REF. 9.5.17.73G)

400392 (1-2 GR) 400406 (3 GR) (DEB...MP VERTICALE DE)

400212 (L = 120 mm) 400213 (L = 125 mm) 400214 (L = 140 mm) 400020 (L = 150 mm)

400362 (GICAR 9.9.12.00) 400389 (GICAR 9.9.12.01)

400004 400256 400257 400258 541021 (SIRAI, 30 AMP, 3 POLES) 541724 (SIRAI, 20 AMP, 3 POLES) 541723 (SIRAI, 20 AMP, 2 POLES) 541453 (PARKER)

541154 (1,1 BAR) 541153 (1,2 BAR) 370057 (PARKER 230 VAC) 370062 (PARKER) 370206 (PARKER 230 VAC-1/8) 371029 (PARKER 230 VAC)

541152 (1,0 BAR) 370053 (LUCIFER 230 VAC) 370061 (LUCIFER) 370071 (LUCIFER 230 VAC-1/8) 371031 (LUCIFER 230 VAC)

370210 (SIRAI 230 VAC) 371047 (SIRAI 230 VAC) 370168 (SIRAI 230 VAC 1/8) 371071 (SIRAI 230 VAC) 371090 371091 371095 (VITON) 371100 (SILICONE)