

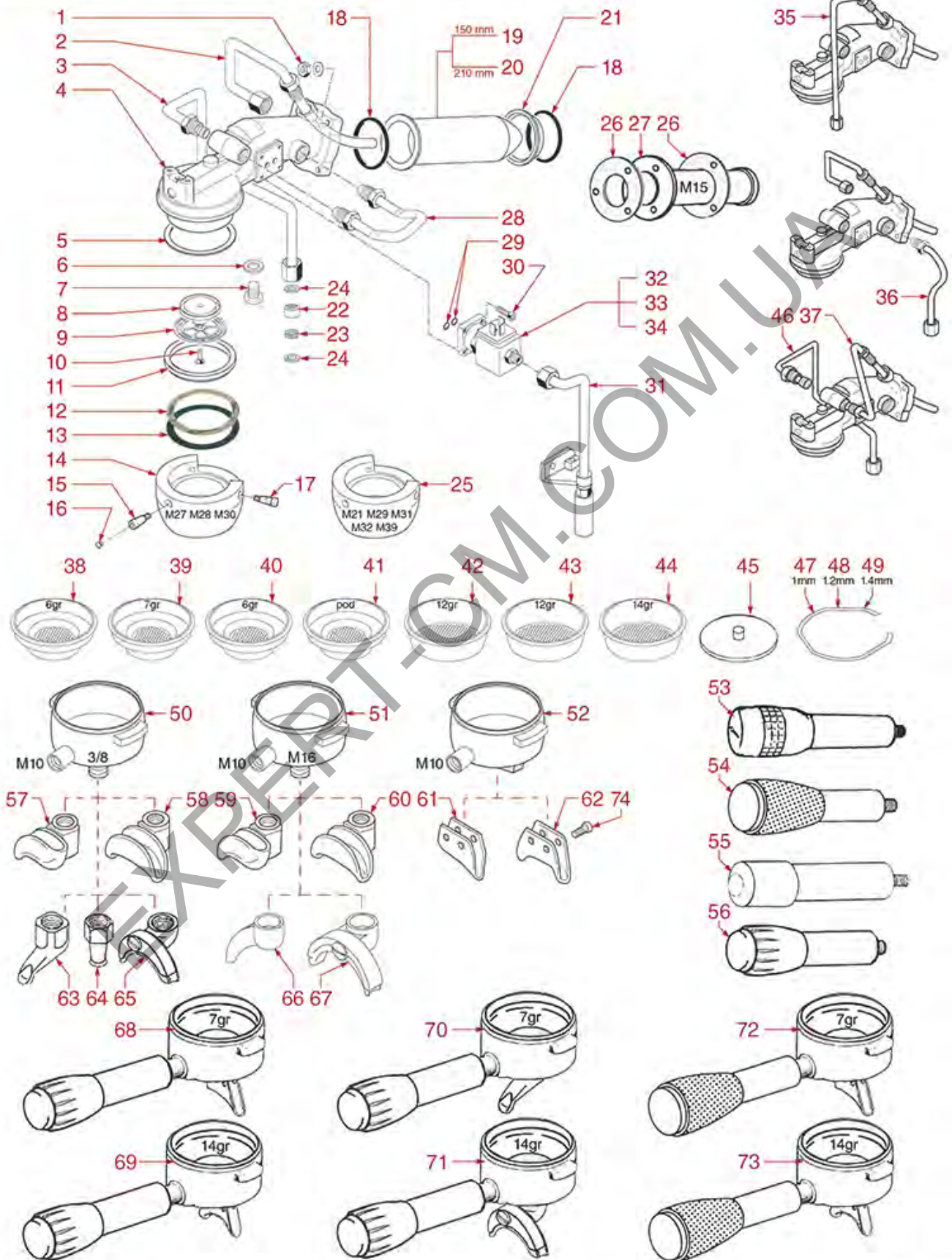


CIMBALI



GROUP M20-M25-M27-M28-M29-M30-M31-M32

M20-M25-M27-M28-M29-M30-M31-M32



C10102

Positions without LF code no.: upon request



CIMBALI



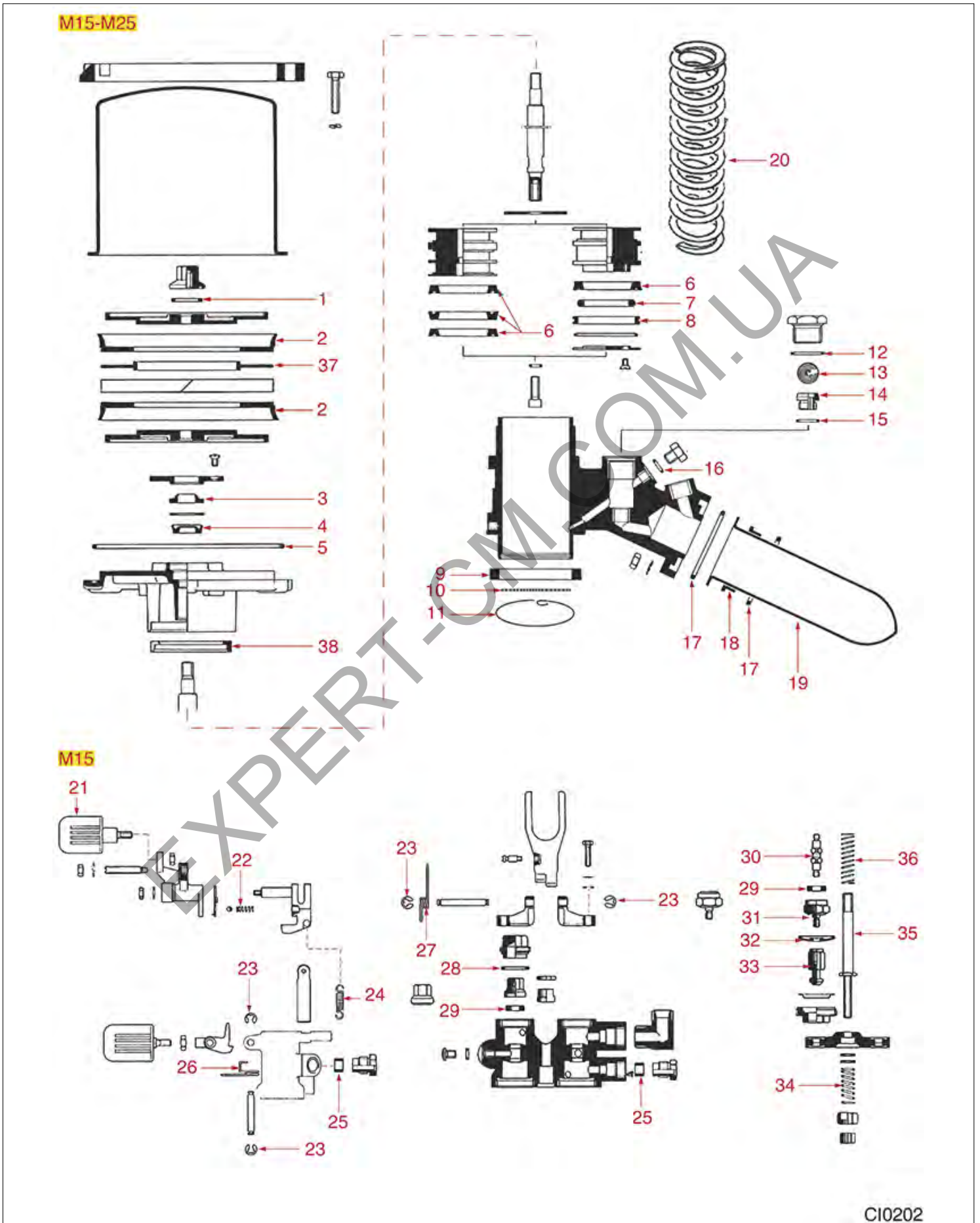
Pos.	LF code no.	Description	Pos.	LF code no.	Description
1	1528030	MID HEXAGONAL NUT M6	64	5031337	1-CUP STRAIGHT SHORT SPOUT \varnothing 3/8"
2	1449023	GROUP OUTLET PIPE	65	1022502	DOUBLE SPOUT \varnothing 3/8"
3	1449026	BREW GROUP INLET PIPE	65	1022521	LONG DOUBLE SPOUT \varnothing 3/8"
5	1190004	RUBBER SEAL \varnothing 71x58x0.6 mm VITON	65	1022522	ADJUSTABLE LONG DOUBLE SPOUT \varnothing 3/8"
6	1186957	FLAT GASKET PTFE \varnothing 22x17x1,5 mm	65	1022523	ADJUSTABLE SHORT DOUBLE SPOUT \varnothing 3/8"
8	1081005	BREW GROUP SPRAY NOZZLE \varnothing 35 mm M5X1	66	1022002	SINGLE SPOUT M16
9	1081006	SHOWER SCREEN \varnothing 51.5 mm	66	1022064	SINGLE SPOUT M16
10	1528011	SHOWER SCREW M5x20	66	1022100	SINGLE SPOUT M16
11	1186077	FILTER HOLDER GASKET \varnothing 60.5x48.5x5 mm	67	1022065	DOUBLE SPOUT LONG M16
11	1186701	FILTER HOLDER GASKET \varnothing 71x56x9 mm	67	1022101	DOUBLE SPOUT SHORT M16
11	1186702	FILTER HOLDER GASKET \varnothing 70x56x8.5 mm	70	1165308	1 CUP COMPLETE FILTER HOLDER CIMBALI
11	5032979	GASKET FILTER HOLDER \varnothing 71x56x9 mm	71	1165309	2 CUPS COMPLETE FILTER HOLDER CIMBALI
12	1190051	PAPER SEAL \varnothing 70x57x0.8 mm	72	1165306	1 CUP FILTER HOLDER ASSEMBLY CIMBALI
13	1190003	RUBBER SHIM \varnothing 70x57x1 mm EPDM	73	1165307	2 CUPS FILTER HOLDER ASSEMBLY CIMBALI
14	1002001	FILTER-HOLDER COUPLING	74	1528012	CYLINDER HEAD SCREW M5x14
15	1184017	BELL SCREW			
17	1184018	HEXAGONAL SCREW FOR BELL			
18	1186503	O-RING 0155 RED SILICONE			
19	1169002	CARTRIDGE \varnothing 42x150 mm			
20	1169003	CARTRIDGE \varnothing 42x210 mm			
21	1186279	CARTRIDGE RING			
22	1501551	NOZZLE \varnothing 14 HOLE \varnothing 0.5 mm			
23	1160511	WATER FILTER \varnothing 9x1.5 mm			
24	1186301	COPPER FLAT GASKET \varnothing 14x10x1 mm			
25	1002005	FILTER HOLDER COUPLING			
26	1186501	COFFEE GROUP GASKET \varnothing 94x45x2 mm			
27	1169001	CARTRIDGE M15			
28	1449027	BREW GROUP COOLING PIPE			
29	1186611	O-RING 02025 RED SILICONE			
29	1186612	O-RING 02025 VITON			
30	1455034	CYLINDER HEAD SCREW M4x10			
31	1449028	GROUP DRAIN PIPE			
32	1120330	3-WAY SOLENOID VALVE LUCIFER 240V 50Hz			
33	1120335	3-WAY SOLENOID VALVE PARKER 230V 50/60Hz			
34	1120334	3-WAY MECHANICAL COMPONENT LUCIFER			
34	1120339	3-WAY MECHANICAL COMPONENT PARKER			
35	5027502	FEEDING PIPING FOR CARTRIDGE			
38	1160085	FILTER 1 CUP 6 g			
39	1160266	1-CUP FILTER 7 g			
40	1160257	1-CUP FILTER 6 g			
41	1160506	CIMBALI 1CUP POD FILTER			
42	1160086	FILTER 2 CUPS 12 gr			
43	1160267	2-CUP FILTER 12 g			
44	1160258	2-CUPS FILTER 14 g			
45	1160293	MEMBRANE BLIND FILTER			
46	1449026	BREW GROUP INLET PIPE			
47	1250101	FILTER BLOCKING SPRING \varnothing 1,00 mm INOX			
48	1250002	S/STEEL FILTER LOCKING SPRING \varnothing 1.20 mm			
49	1250338	FILTER LOCKING SPRING \varnothing 1.40 mm ST.STEEL			
50	1165017	FILTER HOLDER CIMBALI			
51	1165065	FILTER HOLDER CIMBALI/FAEMA			
52	1165016	FILTER HOLDER CIMBALI			
53	1241137	FILTER HOLDER HANDLE M10			
54	1241301	FILTER HOLDER HANDLE M10			
55	1241502	FILTER HOLDER HANDLE M10			
56	1241156	FILTER HOLDER HANDLE M10			
56	1241256	PORTAFILTER KNOB M10			
57	1022508	SINGLE SPOUT \varnothing 3/8"			
58	1022507	DOUBLE SPOUT \varnothing 3/8"			
59	1022546	SINGLE SPOUT M16			
60	1022547	DOUBLE SPOUT M16			
61	1022511	SINGLE SPOUT			
62	1022512	DOUBLE SPOUT			
63	1022501	SINGLE SPOUT \varnothing 3/8"			
63	1022504	CLOSED SINGLE SPOUT \varnothing 3/8"			
64	1022503	STRAIGHT SINGLE SPOUT \varnothing 3/8"			



CIMBALI



GROUP M15-M25



Positions without LF code no.: upon request



CIMBALI



Position	LF code no.	Description
1	1186201	GASKET FLAT PTFE \varnothing 21x16.8x2 mm
2	1186207	COFFEE GROUP GASKET \varnothing 128 mm
3	1186208	CONICAL EPDM SEAL \varnothing 25 mm
4	1186209	LIP SEAL \varnothing 22x13x5 mm
5	1186941	O-RING 04525 EPDM
6	1186210	LIP SEAL \varnothing 52x39x6 mm
7	1186220	O-RING 06135 EPDM
8	1186250	COFFEE GROUP GASKET \varnothing 53x46x6 mm
9	1186702	FILTER HOLDER GASKET \varnothing 70x56x8.5 mm
10	1081010	SHOWER \varnothing 53 mm
11	1081012	SHOWER CIRCLIP
12	3243382	O-RING 02087 EPDM
13	1323004	STAINLESS STEEL BALL \varnothing 16 mm
14	1186619	COPPER FLAT GASKET \varnothing 18x14x1.5 mm
14	1523404	NON-RETURN VALVE
16	1186268	COPPER FLAT GASKET \varnothing 13x8x1 mm
17	1186503	O-RING 0155 RED SILICONE
18	1186279	CARTRIDGE RING
19	1169002	CARTRIDGE \varnothing 42x150 mm
20	1250013	LEVER GROUP SPRING PAIR
23	1348817	STAINLESS STEEL CIRCLIP RA-4 UNI 7437
25	1186703	FLAT EPDM GASKET \varnothing 11x7x7 mm
26	1250233	BUTTON SPRING
27	1250229	RETURN SPRING
28	1186201	GASKET FLAT PTFE \varnothing 21x16.8x2 mm
29	1186300	FLAT GASKET \varnothing 15x7.3x4 mm EPDM
30	1324018	VALVE PIN
31	1186280	GASKET HOLDER BUSHING
32	1186704	GROUP EPDM GASKET
36	1250404	SPRING \varnothing 11x31 mm

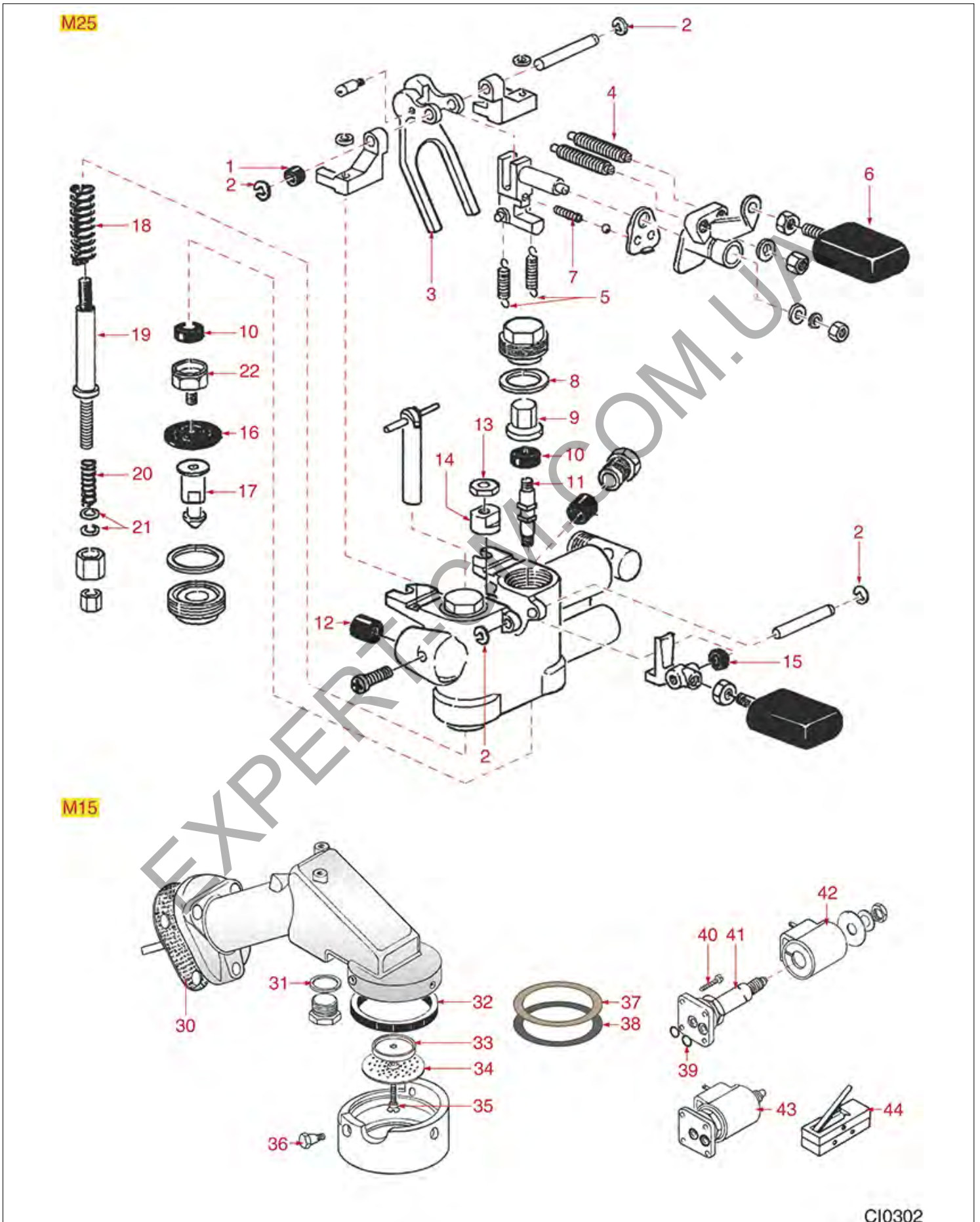
EXPERT-CM.COM.UA



CIMBALI



GROUP M15-M25



CI0302

Positions without LF code no.: upon request



CIMBALI



Position	LF code no.	Description
1	1250229	RETURN SPRING
2	1348817	STAINLESS STEEL CIRCLIP RA-4 UNI 7437
8	1186201	GASKET FLAT PTFE \varnothing 21x16.8x2 mm
10	1186300	FLAT GASKET \varnothing 15x7.3x4 mm EPDM
11	1324018	VALVE PIN
12	1186703	FLAT EPDM GASKET \varnothing 11x7x7 mm
15	1250233	BUTTON SPRING
16	1186704	GROUP EPDM GASKET
18	1250404	SPRING \varnothing 11x31 mm
21	1186298	BRASS WASHER FLAT \varnothing 13x6x0.5 mm
22	1186280	GASKET HOLDER BUSHING
30	1186501	COFFEE GROUP GASKET \varnothing 94x45x2 mm
31	1186171	ROUND COPPER GASKET \varnothing 22x16.5x2.2 mm
32	1186701	FILTER HOLDER GASKET \varnothing 71x56x9 mm
32	1186702	FILTER HOLDER GASKET \varnothing 70x56x8.5 mm
33	1081005	BREW GROUP SPRAY NOZZLE \varnothing 35 mm M5X1
34	1081006	SHOWER SCREEN \varnothing 51.5 mm
35	1528011	SHOWER SCREW M5x20
36	1184016	BELL SCREW
37	1190005	PAPER SHIM \varnothing 70x57x0.5 mm
38	1190003	RUBBER SHIM \varnothing 70x57x1 mm EPDM
39	1186611	O-RING 02025 RED SILICONE
39	1186612	O-RING 02025 VITON
40	1455034	CYLINDER HEAD SCREW M4x10
41	1120334	3-WAY MECHANICAL COMPONENT LUCIFER
41	1120339	3-WAY MECHANICAL COMPONENT PARKER
42	1120332	COIL LUCIFER/PARKER 220/240V 9W 50Hz
42	3120032	COIL PARKER ZB09 9W 220/240V 50/60Hz
43	1120330	3-WAY SOLENOID VALVE LUCIFER 240V 50Hz
43	1120335	3-WAY SOLENOID VALVE PARKER 230V 50/60Hz
44	1240818	MICROSWITCH 16A 250V

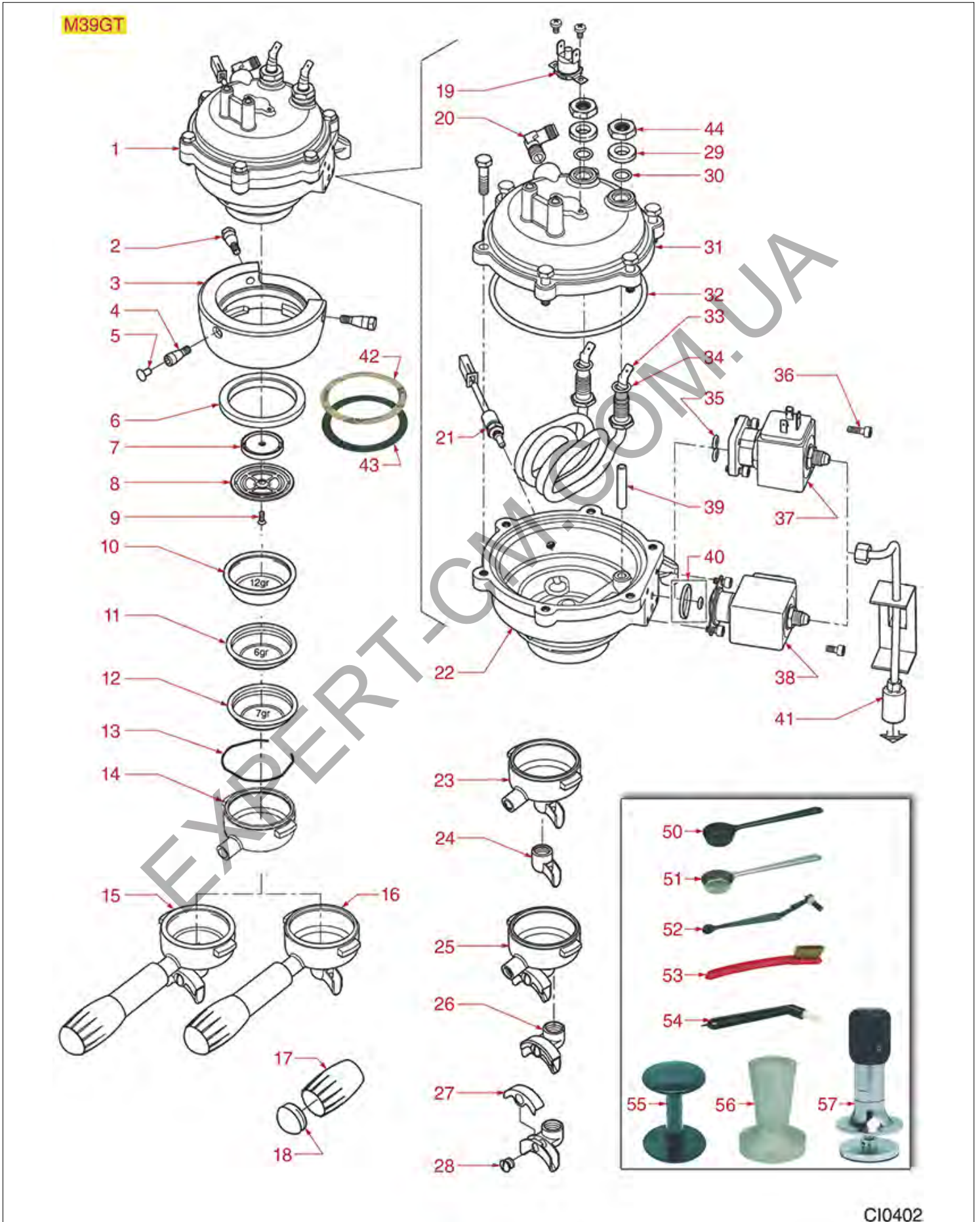
EXPERT-CIMBALI.COM.UA



CIMBALI



BREWING GROUP M39GT



Positions without LF code no.: upon request

CI0402



CIMBALI



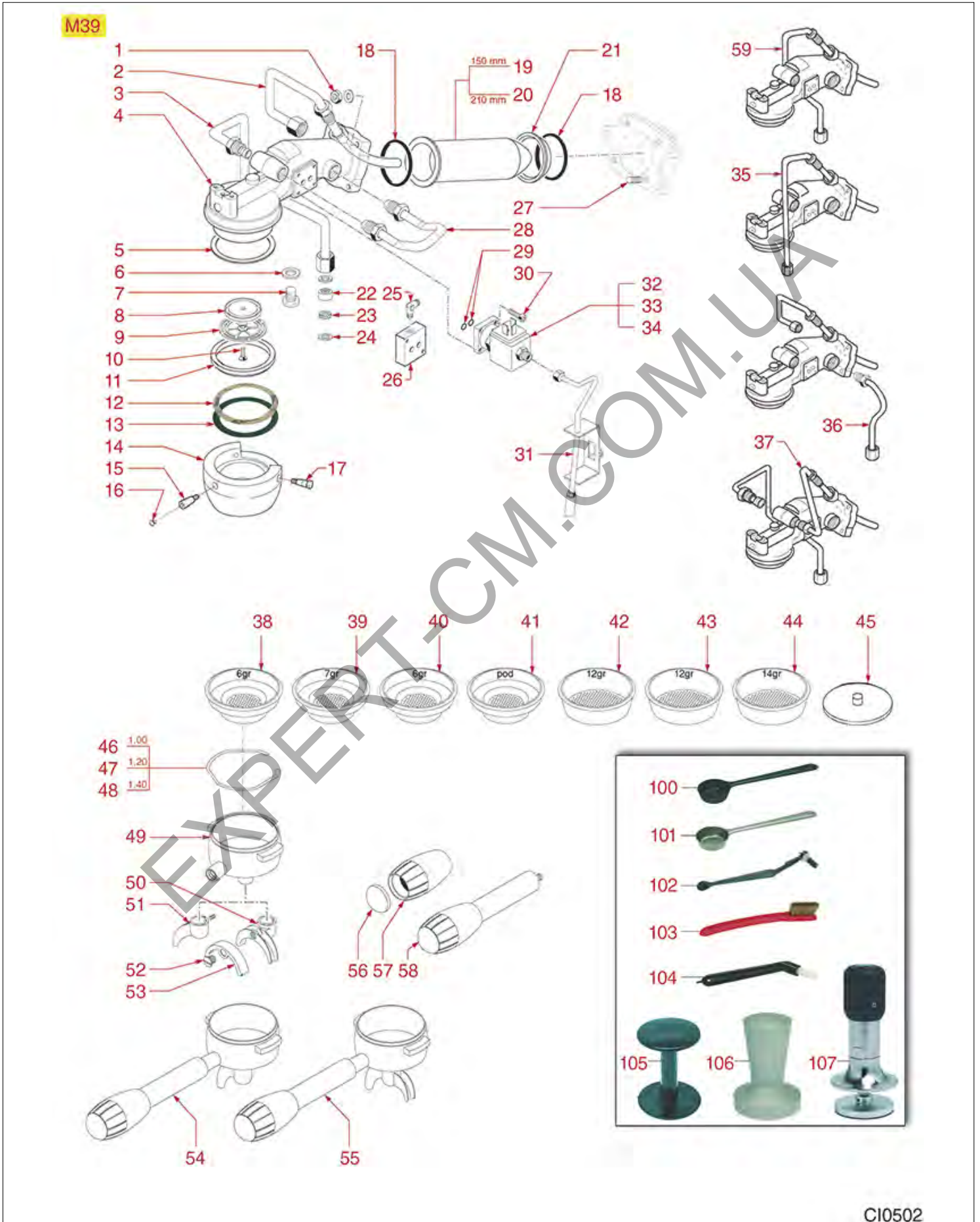
Position	LF code no.	Description
2	1184018	HEXAGONAL SCREW FOR BELL
3	1002005	FILTER HOLDER COUPLING
4	1184017	BELL SCREW
6	1186701	FILTER HOLDER GASKET \varnothing 71x56x9 mm
6	5032979	GASKET FILTER HOLDER \varnothing 71x56x9 mm
7	1081005	BREW GROUP SPRAY NOZZLE \varnothing 35 mm M5X1
8	1081006	SHOWER SCREEN \varnothing 51.5 mm
9	1528011	SHOWER SCREW M5x20
10	1160267	2-CUP FILTER 12 g
11	1160257	1-CUP FILTER 6 g
12	1160266	1-CUP FILTER 7 g
13	1250101	FILTER BLOCKING SPRING \varnothing 1,00 mm INOX
15	1165309	2 CUPS COMPLETE FILTER HOLDER CIMBALI
16	1165308	1 CUP COMPLETE FILTER HOLDER CIMBALI
17	1141002	FILTER HOLDER KNOB HANDGRIP
18	1141001	FILTER HOLDER KNOB CAP
19	1443065	CONTACT THERMOSTAT 160°C 10A 250V
20	1349013	L-FITTING \varnothing 1/8" M-1/8" M NICKEL-PLATED
21	1397042	TEMPERATURE PROBE
23	1165017	FILTER HOLDER CIMBALI
24	1022100	SINGLE SPOUT M16
26	1022101	DOUBLE SPOUT SHORT M16
28	1160559	CHROME PLATED SCREW FOR SPOUT
30	1186803	O-RING 02037 EPDM
32	5501389	VITON O-RING 04400 BLACK
33	1755262	HEATING ELEMENT 800/950W 220/240V
34	1186803	O-RING 02037 EPDM
35	3243139	O-RING 02025 EPDM
38	1120751	3-WAY SOLENOID VALVE PARKER 24VAC 9W
39	1550003	BOILER WATER-DRAWING TUBE GROUP
40	1786221	GASKET KIT FOR SOLENOID VALVE
41	1550002	GROUP DRAIN PIPE
42	1190051	PAPER SEAL \varnothing 70x57x0.8 mm
43	1190003	RUBBER SHIM \varnothing 70x57x1 mm EPDM
44	3060054	HEXAGONAL NUT M10 MEDIUM
50	1069001	PLASTIC MEASURING SPOON 20 ml
51	1069002	STAINLESS STEEL MEASURING SPOON 20 ml
52	1384003	BLACK SHOWER CLEANING BRUSH
53	1384002	BRUSH FOR MAINTENANCE
54	1384001	BRUSH FOR COFFEE SHOWER
55	1385002	NYLON COFFEE TAMPER \varnothing 50/57 mm
56	1385041	POLISHED ALUMINUM TAMPER \varnothing 57 mm
56	1385053	ANODISED ALUMINUM TAMPER \varnothing 58 mm
57	1385600	DYNAMOMETRIC MANUAL COFFEE TAMPER \varnothing 57mm



CIMBALI



BREWING GROUP M39



CI0502

Positions without LF code no.: upon request



CIMBALI



Position	LF code no.	Description
1	1528030	MID HEXAGONAL NUT M6
2	1449023	GROUP OUTLET PIPE
3	1449026	BREW GROUP INLET PIPE
5	1190004	RUBBER SEAL \varnothing 71x58x0.6 mm VITON
6	1186957	FLAT GASKET PTFE \varnothing 22x17x1,5 mm
8	1081005	BREW GROUP SPRAY NOZZLE \varnothing 35 mm M5X1
9	1081006	SHOWER SCREEN \varnothing 51.5 mm
10	1528011	SHOWER SCREW M5x20
11	1186701	FILTER HOLDER GASKET \varnothing 71x56x9 mm
11	5032979	GASKET FILTER HOLDER \varnothing 71x56x9 mm
12	1190011	PAPER SEAL \varnothing 72x58x0.8 mm
13	1190003	RUBBER SHIM \varnothing 70x57x1 mm EPDM
14	1002005	FILTER HOLDER COUPLING
15	1184017	BELL SCREW
17	1184018	HEXAGONAL SCREW FOR BELL
18	3186601	O-RING 04200 EPDM
19	1169004	CARTRIDGE \varnothing 42x150 mm
20	1169003	CARTRIDGE \varnothing 42x210 mm
21	1186279	CARTRIDGE RING
22	1501012	NOZZLE \varnothing 14 HOLE \varnothing 0.8 mm
22	1501551	NOZZLE \varnothing 14 HOLE \varnothing 0.5 mm
23	1160511	WATER FILTER \varnothing 9x1.5 mm
24	1186301	COPPER FLAT GASKET \varnothing 14x10x1 mm
25	1349013	L-FITTING \varnothing 1/8"M-1/8"M NICKEL-PLATED
28	1449027	BREW GROUP COOLING PIPE
29	3243139	O-RING 02025 EPDM
30	1455034	CYLINDER HEAD SCREW M4x10
31	1550005	DRAIN TUBE GROUP
32	1120335	3-WAY SOLENOID VALVE PARKER 230V 50/60Hz
33	1120330	3-WAY SOLENOID VALVE LUCIFER 240V 50Hz
35	5027502	FEEDING PIPING FOR CARTRIDGE
38	1160085	FILTER 1 CUP 6 g
39	1160266	1-CUP FILTER 7 g
40	1160257	1-CUP FILTER 6 g
41	1160506	CIMBALI 1CUP POD FILTER
42	1160086	FILTER 2 CUPS 12 gr
43	1160267	2-CUP FILTER 12 g
44	1160258	2-CUPS FILTER 14 g
45	1160293	MEMBRANE BLIND FILTER
46	1250101	FILTER BLOCKING SPRING \varnothing 1,00 mm INOX
47	1250002	S/STEEL FILTER LOCKING SPRING \varnothing 1.20 mm
48	1250338	FILTER LOCKING SPRING \varnothing 1.40 mm ST.STEEL
49	1165017	FILTER HOLDER CIMBALI
52	1160559	CHROME PLATED SCREW FOR SPOUT
54	1165308	1 CUP COMPLETE FILTER HOLDER CIMBALI
55	1165309	2 CUPS COMPLETE FILTER HOLDER CIMBALI
56	1141001	FILTER HOLDER KNOB CAP
57	1141002	FILTER HOLDER KNOB HANDGRIP
58	1241156	FILTER HOLDER HANDLE M10
58	1241256	PORTAFILTER KNOB M10
100	1069001	PLASTIC MEASURING SPOON 20 ml
101	1069002	STAINLESS STEEL MEASURING SPOON 20 ml
102	1384003	BLACK SHOWER CLEANING BRUSH
103	1384002	BRUSH FOR MAINTENANCE
104	1384001	BRUSH FOR COFFEE SHOWER
106	1385002	NYLON COFFEE TAMPER \varnothing 50/57 mm
106	1385041	POLISHED ALUMINUM TAMPER \varnothing 57 mm
106	1385053	ANODISED ALUMINUM TAMPER \varnothing 58 mm
107	1385600	DYNAMOMETRIC MANUAL COFFEE TAMPER \varnothing 57mm

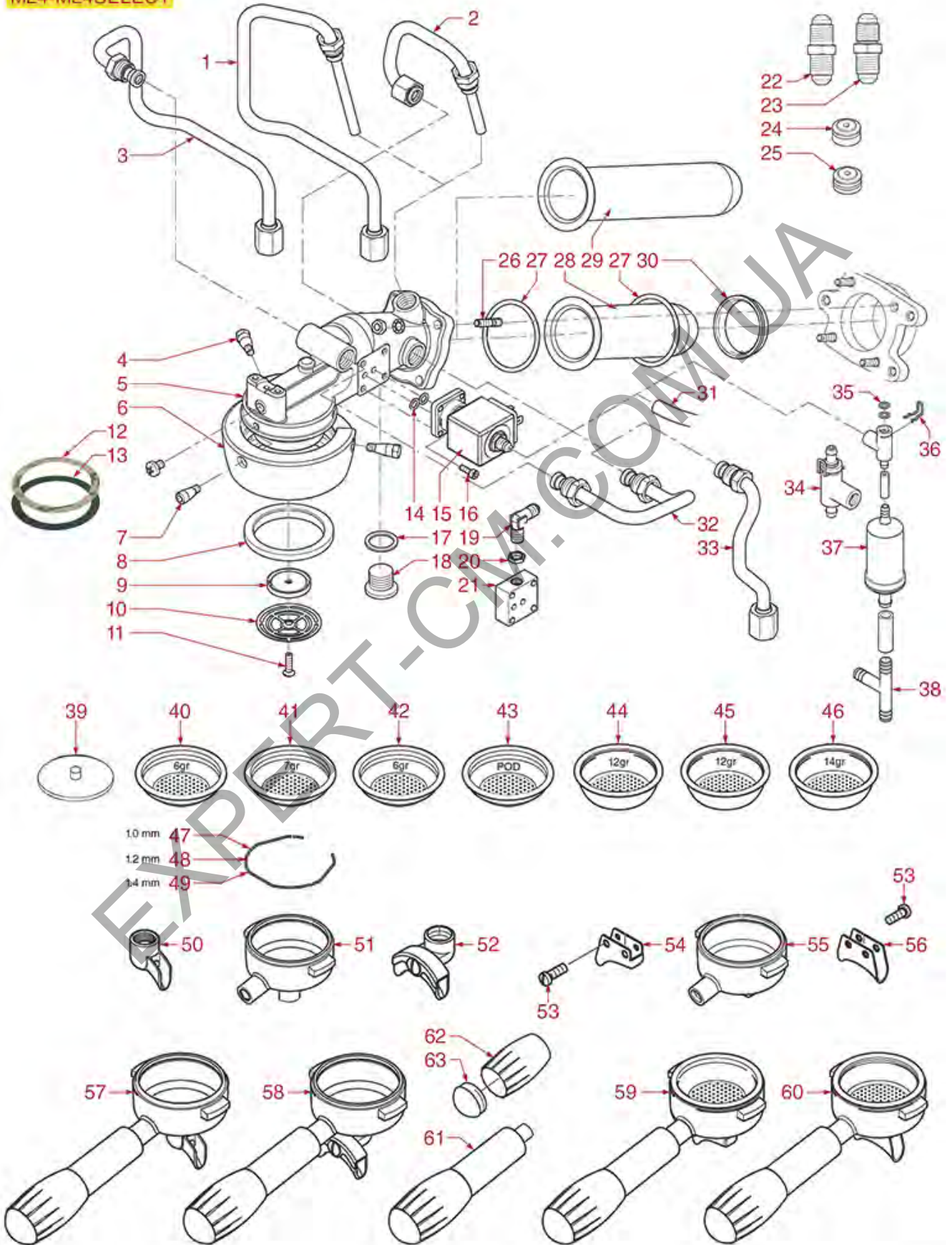


CIMBALI



BREWING GROUP M24

M24-M24SELECT



CI0602

Positions without LF code no.: upon request



CIMBALI

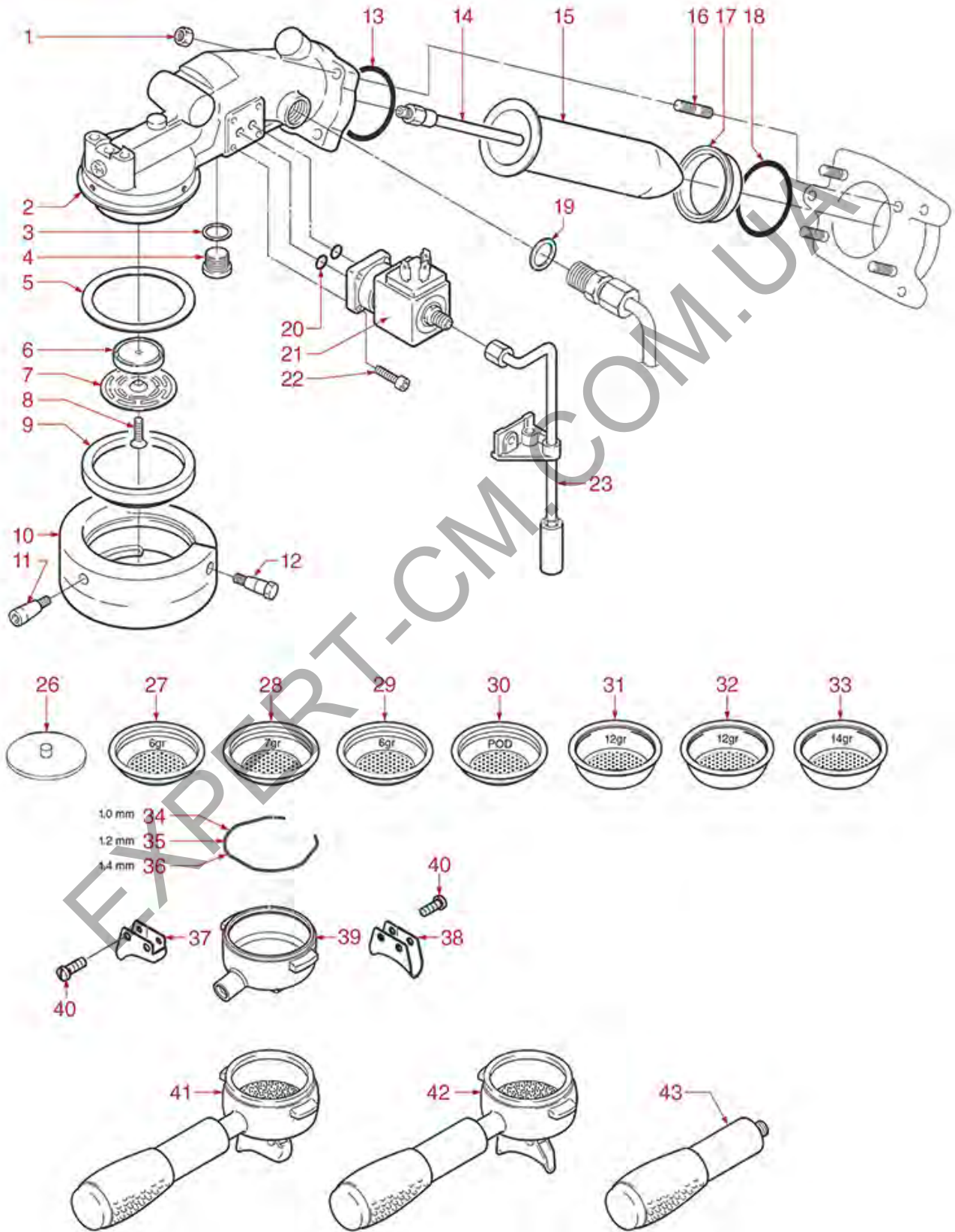


Position	LF code no.	Description
2	1449023	GROUP OUTLET PIPE
4	1184018	HEXAGONAL SCREW FOR BELL
6	1002005	FILTER HOLDER COUPLING
7	1184017	BELL SCREW
8	1186701	FILTER HOLDER GASKET \varnothing 71x56x9 mm
8	5032979	GASKET FILTER HOLDER \varnothing 71x56x9 mm
9	1081005	BREW GROUP SPRAY NOZZLE \varnothing 35 mm M5X1
10	1081006	SHOWER SCREEN \varnothing 51.5 mm
11	1528011	SHOWER SCREW M5x20
12	1190051	PAPER SEAL \varnothing 70x57x0.8 mm
13	1190003	RUBBER SHIM \varnothing 70x57x1 mm EPDM
14	3243139	O-RING 02025 EPDM
15	1120335	3-WAY SOLENOID VALVE PARKER 230V 50/60Hz
16	1455034	CYLINDER HEAD SCREW M4x10
17	1186957	FLAT GASKET PTFE \varnothing 22x17x1,5 mm
24	1501551	NOZZLE \varnothing 14 HOLE \varnothing 0.5 mm
25	1501012	NOZZLE \varnothing 14 HOLE \varnothing 0.8 mm
28	1169004	CARTRIDGE \varnothing 42x150 mm
29	1169003	CARTRIDGE \varnothing 42x210 mm
30	1186279	CARTRIDGE RING
31	1449285	SILICONE HOSE \varnothing 6x10 SHORE 60 - 100 m
31	1449685	SILICONE HOSE \varnothing 6x10 SHORE 60 - 5 m
32	1449027	BREW GROUP COOLING PIPE
35	3243009	O-RING GASKET 0106 EPDM
37	1550004	SILENCER PIPE
39	1160293	MEMBRANE BLIND FILTER
40	1160085	FILTER 1 CUP 6 g
41	1160266	1-CUP FILTER 7 g
42	1160257	1-CUP FILTER 6 g
43	1160506	CIMBALI 1CUP POD FILTER
44	1160086	FILTER 2 CUPS 12 gr
45	1160267	2-CUP FILTER 12 g
46	1160258	2-CUPS FILTER 14 g
47	1250101	FILTER BLOCKING SPRING \varnothing 1,00 mm INOX
48	1250002	S/STEEL FILTER LOCKING SPRING \varnothing 1.20 mm
49	1250338	FILTER LOCKING SPRING \varnothing 1.40 mm ST.STEEL
50	1022100	SINGLE SPOUT M16
51	1165065	FILTER HOLDER CIMBALI/FAEMA
52	1022101	DOUBLE SPOUT SHORT M16
53	1528012	CYLINDER HEAD SCREW M5x14
54	1022511	SINGLE SPOUT
55	1165016	FILTER HOLDER CIMBALI
56	1022512	DOUBLE SPOUT
57	1165308	1 CUP COMPLETE FILTER HOLDER CIMBALI
58	1165309	2 CUPS COMPLETE FILTER HOLDER CIMBALI
61	1241156	FILTER HOLDER HANDLE M10
61	1241256	PORTAFILTER KNOB M10
62	1141002	FILTER HOLDER KNOB HANDGRIP
63	1141001	FILTER HOLDER KNOB CAP



BREWING GROUP M21

M21JUNIOR





CIMBALI

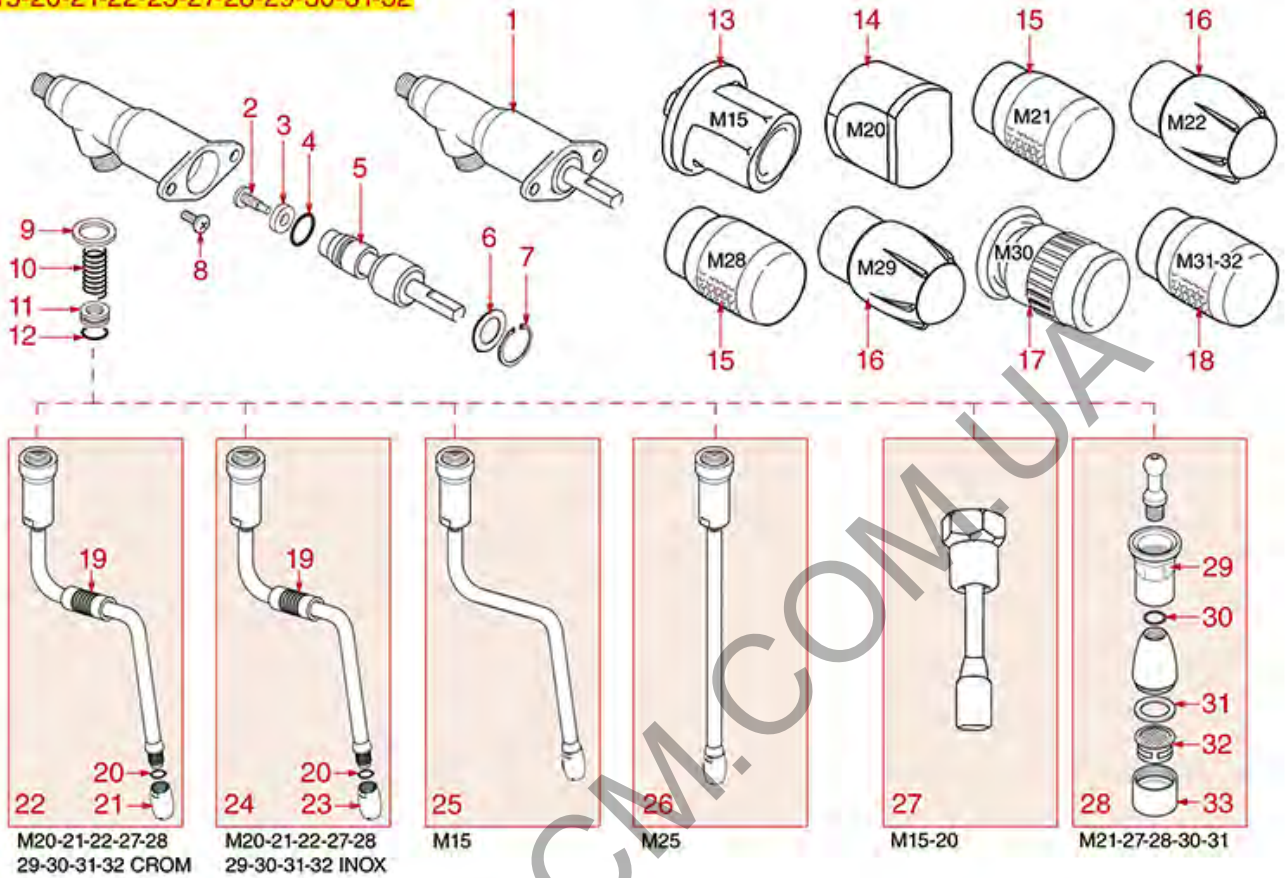


Position	LF code no.	Description
1	1528030	MID HEXAGONAL NUT M6
3	1186394	ASBESTOS FREE FLAT GASKET \varnothing 22x17x2 mm
5	1190003	RUBBER SHIM \varnothing 70x57x1 mm EPDM
5	1190051	PAPER SEAL \varnothing 70x57x0.8 mm
6	1081005	BREW GROUP SPRAY NOZZLE \varnothing 35 mm M5X1
7	1081006	SHOWER SCREEN \varnothing 51.5 mm
8	1528011	SHOWER SCREW M5x20
9	1186701	FILTER HOLDER GASKET \varnothing 71x56x9 mm
9	5032979	GASKET FILTER HOLDER \varnothing 71x56x9 mm
10	1002005	FILTER HOLDER COUPLING
11	1184017	BELL SCREW
12	1184018	HEXAGONAL SCREW FOR BELL
13	1186503	O-RING 0155 RED SILICONE
15	1169004	CARTRIDGE \varnothing 42x150 mm
17	1186279	CARTRIDGE RING
18	1186503	O-RING 0155 RED SILICONE
19	1186619	COPPER FLAT GASKET \varnothing 18x14x1.5 mm
20	3243139	O-RING 02025 EPDM
21	1120330	3-WAY SOLENOID VALVE LUCIFER 240V 50Hz
22	1455034	CYLINDER HEAD SCREW M4x10
23	1449028	GROUP DRAIN PIPE
26	1160293	MEMBRANE BLIND FILTER
27	1160085	FILTER 1 CUP 6 g
28	1160266	1-CUP FILTER 7 g
29	1160257	1-CUP FILTER 6 g
30	1160506	CIMBALI 1CUP POD FILTER
31	1160086	FILTER 2 CUPS 12 gr
32	1160267	2-CUP FILTER 12 g
33	1160258	2-CUPS FILTER 14 g
33	1160337	2-CUP FILTER 14 GRAMS
34	1250101	FILTER BLOCKING SPRING \varnothing 1,00 mm INOX
35	1250002	S/STEEL FILTER LOCKING SPRING \varnothing 1.20 mm
36	1250338	FILTER LOCKING SPRING \varnothing 1.40 mm ST.STEEL
37	1022511	SINGLE SPOUT
38	1022512	DOUBLE SPOUT
39	1165016	FILTER HOLDER CIMBALI
40	1528012	CYLINDER HEAD SCREW M5x14
41	1165306	1 CUP FILTER HOLDER ASSEMBLY CIMBALI
42	1165307	2 CUPS FILTER HOLDER ASSEMBLY CIMBALI
43	1241301	FILTER HOLDER HANDLE M10

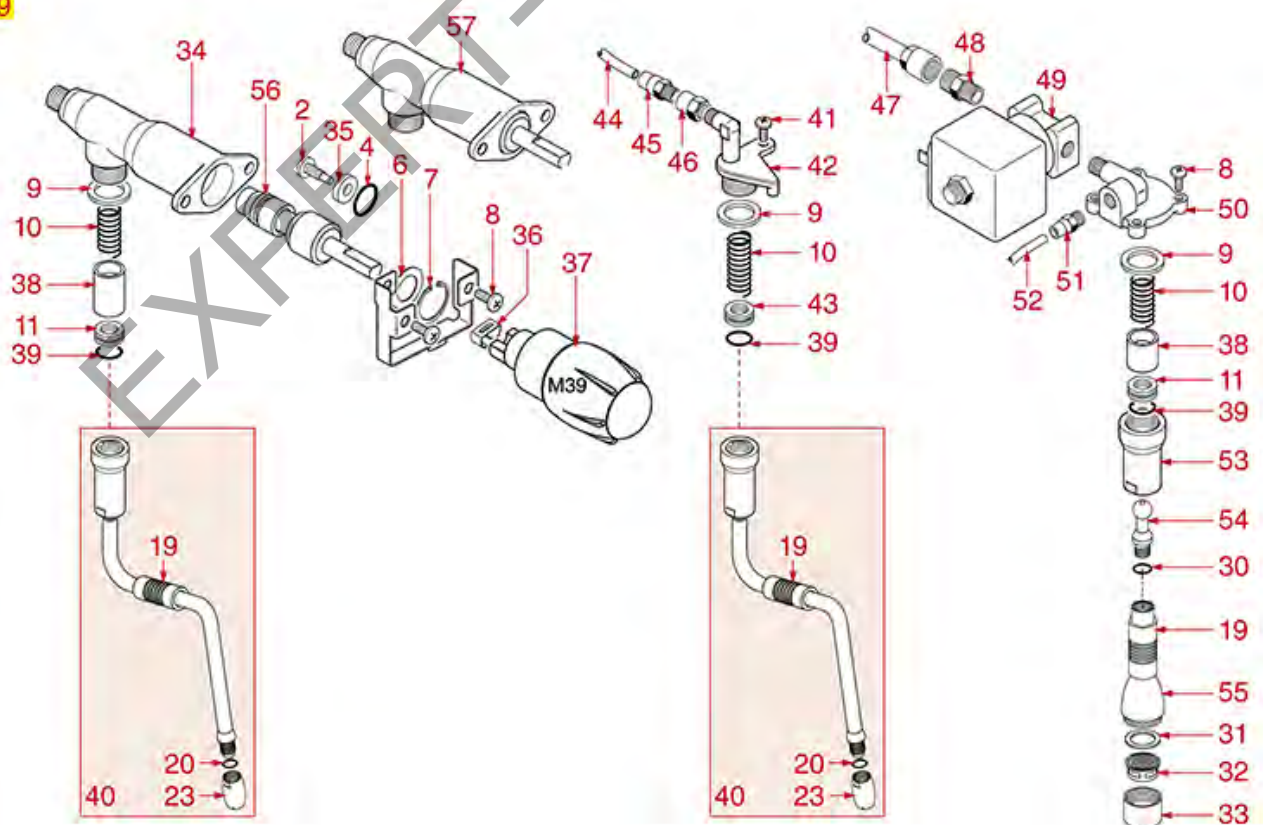


TAP M15-20-21-22-25-28-30-31-32-39

M15-20-21-22-25-27-28-29-30-31-32



M39





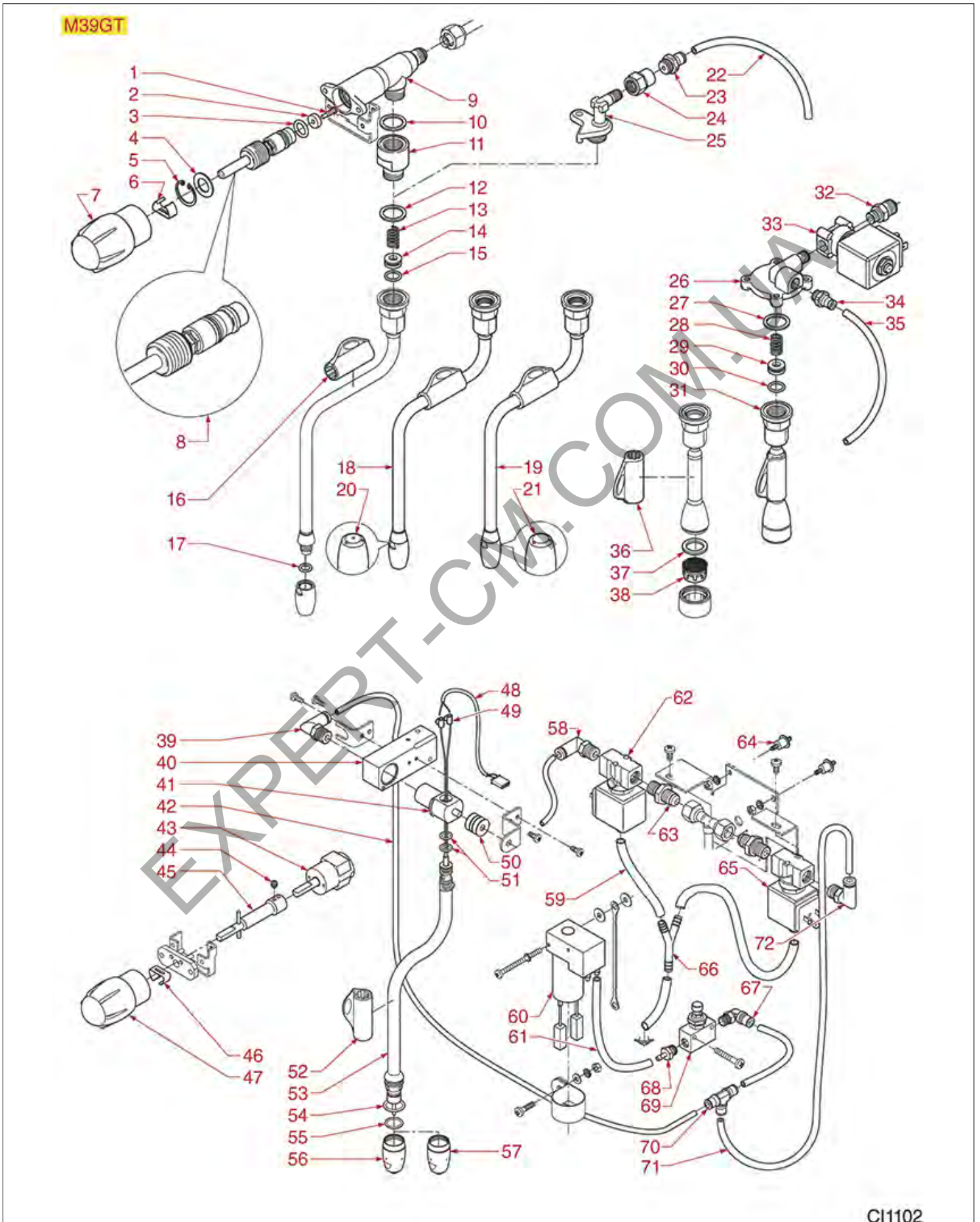
CIMBALI



Position	LF code no.	Description
1	1348316	WATER/STEAM TAP
2	1184019	SCREW PIN FOR WATER/STEAM TAP
3	1186342	FLAT GASKET \varnothing 11x3x4 mm EPDM
4	1186236	O-RING 03043 VITON
4	1186318	O-RING 03043 EPDM
5	1348317	PIN TAP
6	1186299	WASHER \varnothing 21x16x1 mm
7	1348029	SEEGER RING J-19
8	1528631	CYLINDER HEAD SCREW M4x8
9	1186957	FLAT GASKET PTFE \varnothing 22x17x1,5 mm
10	1250226	TAP PIPE SPRING \varnothing 11x24 mm
11	1186344	CONICAL PTFE SEAL \varnothing 14.5x7x6 mm
12	1186346	O-RING 02043 EPDM
13	1241559	WATER/STEAM TAP KNOB
14	1241558	WATER/STEAM TAP KNOB
16	1241016	WATER/STEAM TAP KNOB
17	1241015	WATER/STEAM TAP KNOB
18	1241311	WATER/STEAM TAP KNOB
19	1186924	BURN PREVENTING PIPE HANDGRIP \varnothing 10 mm
20	1186411	O-RING 02031 EPDM
21	1449142	CHROME-PLATED STEAM NOZZLE
22	1449837	STEAM PIPE
23	1449166	ST/STEEL STEAM DIFFUSER \varnothing 1/8"F
24	1449143	S/STEEL COMPLETE STEAM PIPE \varnothing 10 mm
24	1449837	STEAM PIPE
25	1449836	STEAM PIPE COMPLETE
26	1449838	STEAM PIPE
27	1449029	WATER PIPE
28	1449042	COMPLETE WATER PIPE
30	3243009	O-RING GASKET 0106 EPDM
31	1186958	FLAT EPDM GASKET \varnothing 20.5x15x2 mm
32	5029747	WATER SPRINKLER
34	5034894	STEAM TAP CASE
35	1186927	FLAT GASKET VITON \varnothing 12x4x4 mm
36	1241561	ELASTIC RING FOR KNOB
37	1241171	STEAM TAP HANDLE
39	1186950	O-RING 02043 VITON GREEN
40	1449215	COMPLETE ST. STEEL STEAM PIPE \varnothing 10 mm
40	5030092	ST. STEEL COMPLETE STEAM PIPE \varnothing 10 mm
41	5022646	CYLINDER HEAD SCREW M5x10
44	1449502	PTFE PIPE \varnothing 4x6 mm - 10 m
50	1549013	WATER TAP BODY
52	1449500	PTFE PIPE \varnothing 2x4 mm - 10 m
56	1348111	TAP SPINDLE
57	1548026	COMPLETE STEAM TAP



WATER/STEAM TAPS M39GT





CIMBALI



Position	LF code no.	Description
1	1184019	SCREW PIN FOR WATER/STEAM TAP
2	1186927	FLAT GASKET VITON \varnothing 12x4x4 mm
3	1186236	O-RING 03043 VITON
4	1186299	WASHER \varnothing 21x16x1 mm
5	1348029	SEEGER RING J-19
6	1241561	ELASTIC RING FOR KNOB
7	1241171	STEAM TAP HANDLE
8	1348111	TAP SPINDLE
9	5034894	STEAM TAP CASE
10	1186957	FLAT GASKET PTFE \varnothing 22x17x1,5 mm
11	1349269	STRAIGHT FITTING \varnothing 3/8"M-3/8"F
12	1186957	FLAT GASKET PTFE \varnothing 22x17x1,5 mm
13	1250226	TAP PIPE SPRING \varnothing 11x24 mm
14	1186344	CONICAL PTFE SEAL \varnothing 14.5x7x6 mm
15	1186950	O-RING 02043 VITON GREEN
16	1549011	BURN PREVENT.RUBBERPIECE f/PIPE \varnothing 10 mm
17	1186411	O-RING 02031 EPDM
18	1449215	COMPLETE ST.STEEL STEAM PIPE \varnothing 10 mm
18	5030092	ST.STEEL COMPLETE STEAM PIPE \varnothing 10 mm
19	5030092	ST.STEEL COMPLETE STEAM PIPE \varnothing 10 mm
20	1449166	ST/STEEL STEAM DIFFUSER \varnothing 1/8"F
21	1549012	STAINLESS STEEL STEAM SPRINKLER \varnothing 1/8"F
22	1449502	PTFE PIPE \varnothing 4x6 mm - 10 m
26	1549013	WATER TAP BODY
27	1186957	FLAT GASKET PTFE \varnothing 22x17x1,5 mm
28	1250226	TAP PIPE SPRING \varnothing 11x24 mm
29	1186344	CONICAL PTFE SEAL \varnothing 14.5x7x6 mm
30	1186950	O-RING 02043 VITON GREEN
31	1549010	COMPLETE WATER PIPE
35	1449500	PTFE PIPE \varnothing 2x4 mm - 10 m
36	1549011	BURN PREVENT.RUBBERPIECE f/PIPE \varnothing 10 mm
37	1186958	FLAT EPDM GASKET \varnothing 20.5x15x2 mm
38	5029747	WATER SPRINKLER
42	1449502	PTFE PIPE \varnothing 4x6 mm - 10 m
46	1241561	ELASTIC RING FOR KNOB
47	1241171	STEAM TAP HANDLE
51	1186422	O-RING 0108 EPDM
52	1549011	BURN PREVENT.RUBBERPIECE f/PIPE \varnothing 10 mm
55	1186346	O-RING 02043 EPDM
59	1449285	SILICONE HOSE \varnothing 6x10 SHORE 60 - 100 m
59	1449685	SILICONE HOSE \varnothing 6x10 SHORE 60 - 5 m
61	1449280	SILICONE HOSE \varnothing 3x5 SHORE 60 - 100 m
61	1449680	SILICONE HOSE \varnothing 3x5 SHORE 60 - 10 m
68	3349287	HOSE-END FITTING \varnothing 1/8"M \varnothing 4 NICHEL
71	1449502	PTFE PIPE \varnothing 4x6 mm - 10 m



WATER/STEAM TAP M24-M24SELECT

M24-M24SELECT

EXPERT-CM.COM

0+100°C	0+100°C	---	100	0,20L 2 cups	200	---	300	0,25L 2 cups	400
			101	0,30L 3 cups	201	---	301	0,35L 3 cups	401
			102	0,45L 4 cups	202	---	302	0,50L 4 cups	402
			103	0,60L 6 cups	203	0,60L 6 cups	303	0,75L 6 cups	403
			104	0,70L 9 cups	204	0,70L 9 cups	304	1,00L 10 cups	404
			105	1,10L 12 cups	205	1,50L 12 cups	305	1,50L 13 cups	405
			106	---	206	---	306	---	406

INOX 18/10

INOX 18/10

INOX 18/10

INOX 18/10



CIMBALI



Position	LF code no.	Description
1	1348111	TAP SPINDLE
3	1184019	SCREW PIN FOR WATER/STEAM TAP
4	1186927	FLAT GASKET VITON \varnothing 12x4x4 mm
5	1186236	O-RING 03043 VITON
6	1449143	S/STEEL COMPLETE STEAM PIPE \varnothing 10 mm
6	1449837	STEAM PIPE
7	1186299	WASHER \varnothing 21x16x1 mm
8	1348029	SEGER RING J-19
9	1241171	STEAM TAP HANDLE
10	1241561	ELASTIC RING FOR KNOB
11	1186957	FLAT GASKET PTFE \varnothing 22x17x1,5 mm
12	1250226	TAP PIPE SPRING \varnothing 11x24 mm
13	1186344	CONICAL PTFE SEAL \varnothing 14.5x7x6 mm
14	1186346	O-RING 02043 EPDM
15	1549011	BURN PREVENT.RUBBERPIECE f/PIPE \varnothing 10 mm
17	1186411	O-RING 02031 EPDM
18	1549012	STAINLESS STEEL STEAM SPRINKLER \varnothing 1/8"F
23	1186957	FLAT GASKET PTFE \varnothing 22x17x1,5 mm
24	1250226	TAP PIPE SPRING \varnothing 11x24 mm
25	1186344	CONICAL PTFE SEAL \varnothing 14.5x7x6 mm
26	1186346	O-RING 02043 EPDM
27	3243009	O-RING GASKET 0106 EPDM
28	1186958	FLAT EPDM GASKET \varnothing 20.5x15x2 mm
29	5029747	WATER SPRINKLER
30	1449196	WATER SPRINKLER
31	1449042	COMPLETE WATER PIPE
32	5019235	VALVE PARKER 2 WAYS 24V 50/60Hz
50	1394553	ANALOGICAL THERMOMETER \varnothing 25 mm
51	1394554	ANALOG THERMOMETER \varnothing 45 mm
103	1024051	SERVING COFFEE POT PRATIKA 0.60 L
104	1024052	SERVING COFFEE POT PRATIKA 0.70 L
105	1024053	SERVING COFFEE POT PRATIKA 1.10 L
200	1024001	MILK PITCHER PRATIKA 0,20 L
201	1024002	MILK PITCHER PRATIKA 0,30 L
202	1024003	MILK PITCHER PRATIKA 0.45 L
203	1024004	MILK PITCHER PRATIKA 0.60 L
204	1024005	MILK PITCHER PRATIKA 0.70 L
205	1024006	MILK PITCHER PRATIKA 1.10 L
302	1224901	MILK JUG 0.35 L
303	1224902	MILK JUG 0.60 L
304	1224903	MILK JUG 1 L
305	1224904	MILK JUG 1.5 L
400	1224014	MILK PITCHER EUROPA WITH SPOUT 0.25 L
401	1224015	MILK PITCHER EUROPA WITH SPOUT 0.35 L
402	1224010	MILK PITCHER EUROPA WITH SPOUT 0.50 L
403	1224011	MILK PITCHER EUROPA WITH SPOUT 0.75 L
404	1224012	MILK PITCHER EUROPA WITH SPOUT 1 L
405	1224013	MILK PITCHER EUROPA WITH SPOUT 1.5 L

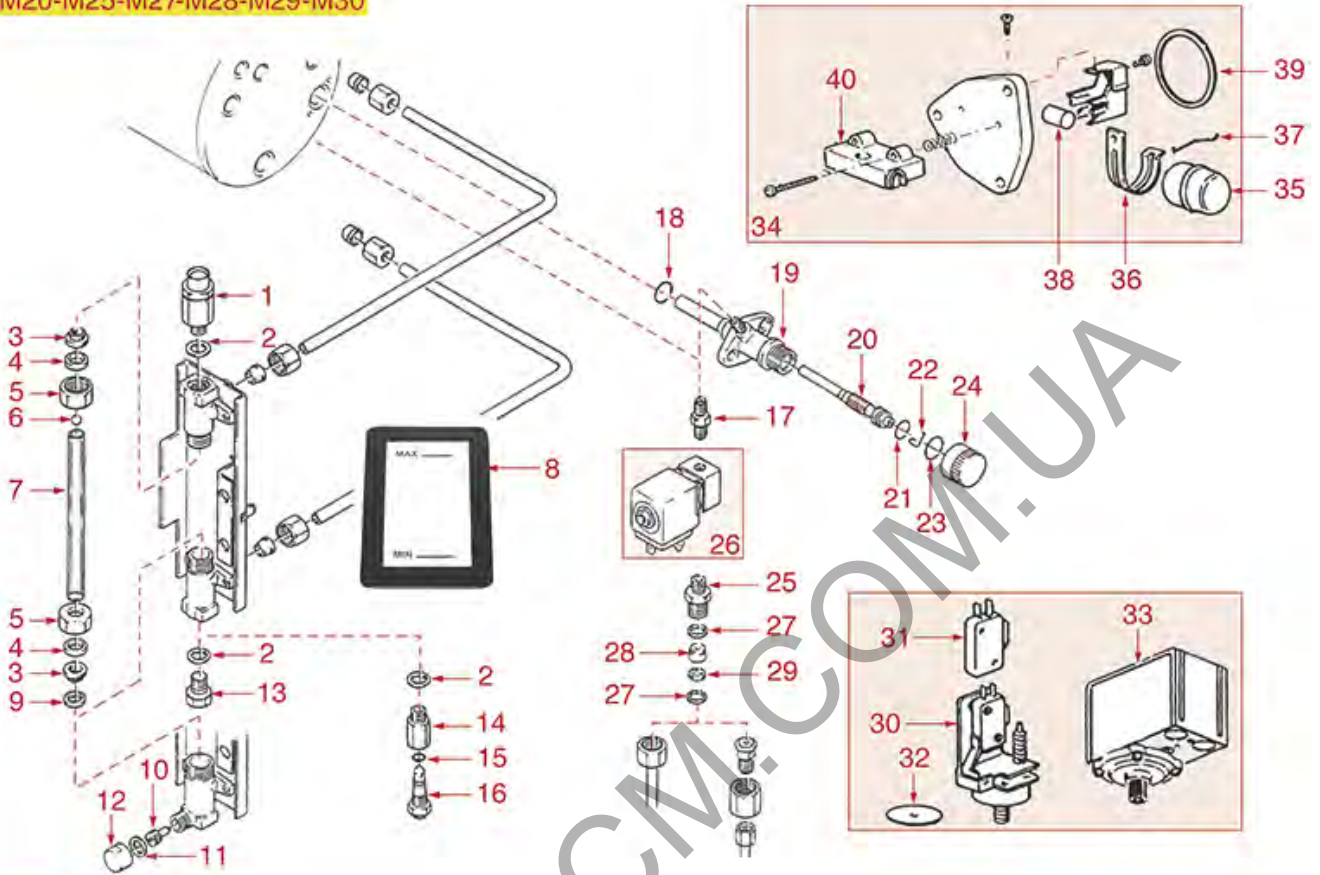


CIMBALI

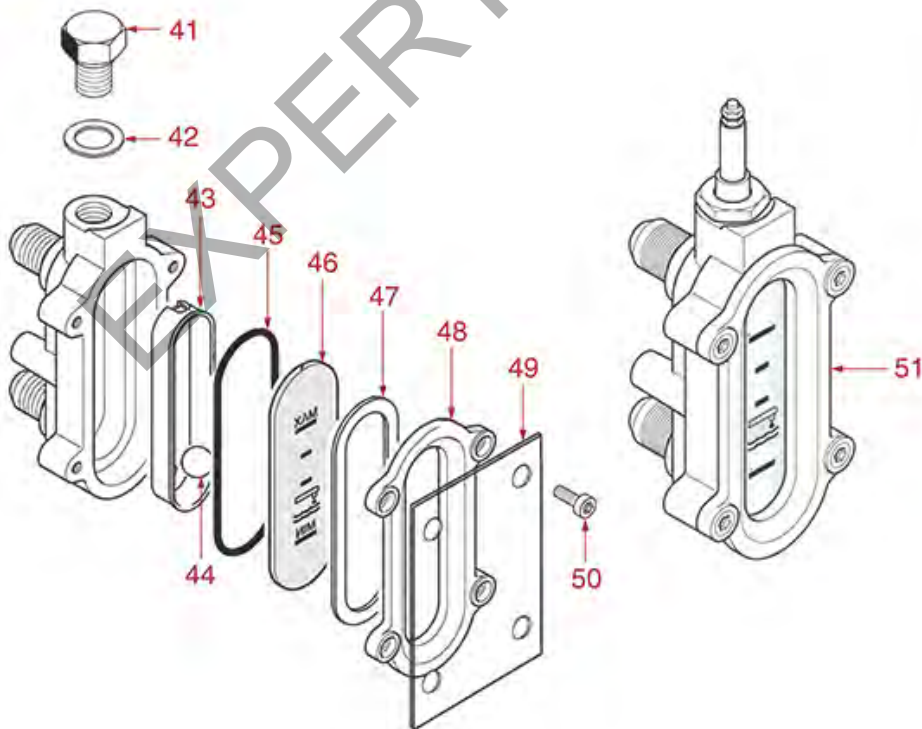


LEVEL GAUGES M20-25-27-28-29-30-39-MICRO

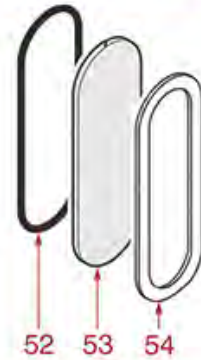
M20-M25-M27-M28-M29-M30



M39



MICROCIMBALI





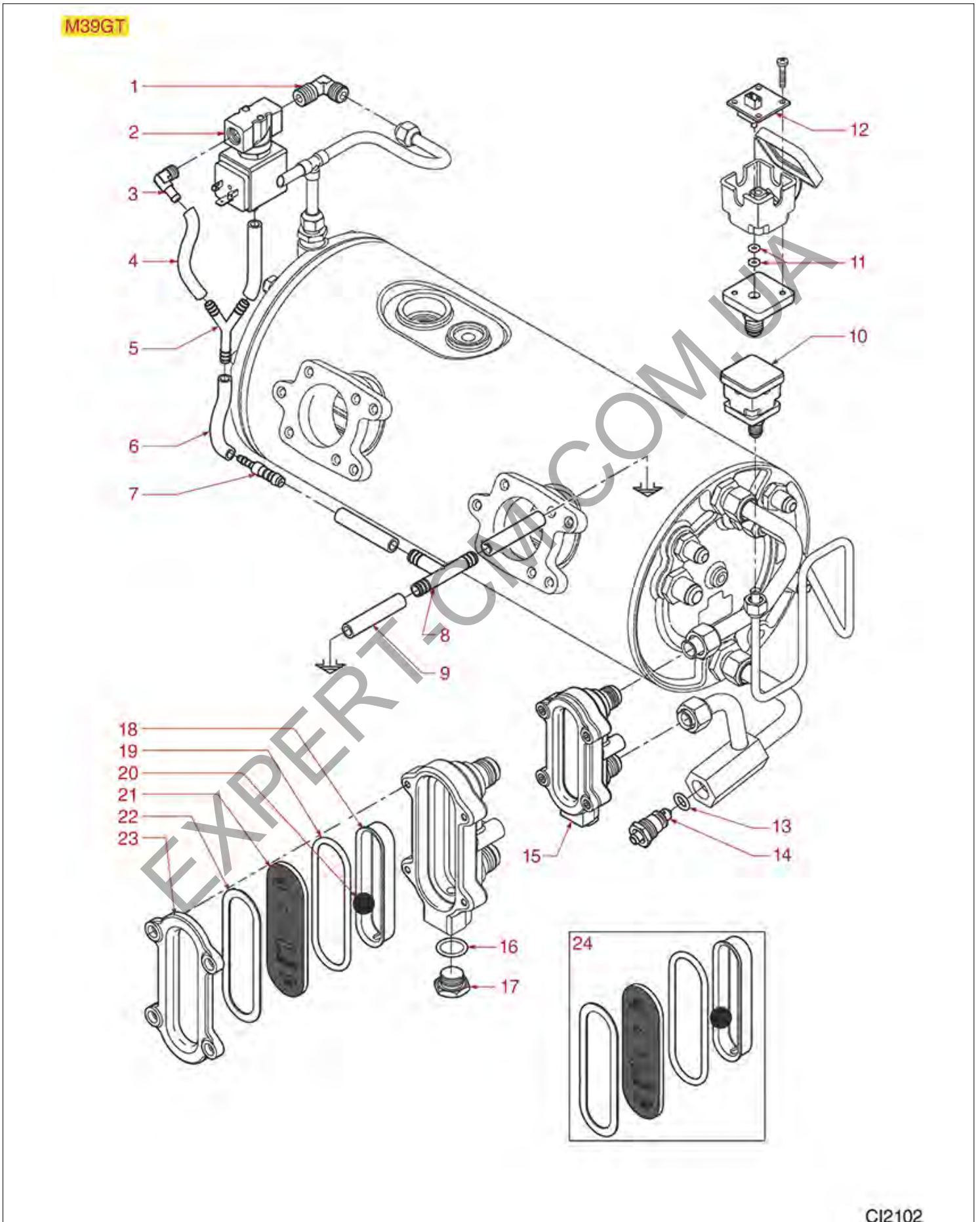
CIMBALI



Position	LF code no.	Description
1	1523538	BOILER VALVE \varnothing 1/4"M
2	1186619	COPPER FLAT GASKET \varnothing 18x14x1.5 mm
3	1186226	FLAT EPDM GASKET
4	1186357	STUFFING GLAND RING \varnothing 18x13.5x4 mm
5	1348030	GLASS FASTENING NUT \varnothing 1/2"F HOLE 13 mm
6	1323001	RED LEVEL BALL \varnothing 5.8 mm
7	1520516	LEVEL GLASS \varnothing 12x135 mm
7	1520526	LEVEL GLASS \varnothing 12x117 mm
8	1201521	LEVEL PLATE 90x60 mm
8	1201522	LEVEL PLATE 85x60 mm
9	1186315	WASHER FLAT LARGE M5
10	1324057	TAP ROD
11	1186360	FLAT EPDM GASKET \varnothing 18x12x2 mm
13	1439018	LEVEL CAP \varnothing 1/4"M
15	1186304	O-RING 0112 EPDM
17	1349101	FITTING \varnothing 1/8"M-1/8"M NICKEL-PLATED
18	1186591	O-RING 0128 VITON
20	1348047	MIXER PIPE
21	1186346	O-RING 02043 EPDM
23	3243382	O-RING 02087 EPDM
24	1439014	MIXER CAP
25	1349110	FITTING \varnothing 1/8"AUSSEN-3/8"AUSSEN
26	1120460	2-WAY SOLENOID VALVE LUCIFER 240V 50Hz
26	1120461	2-WAY SOLENOID VALVE LUCIFER 240V 50Hz
26	1120466	2-WAY SOLENOID VALVE LUCIFER 115V 60Hz
26	1188001	FLOAT HOUSING
29	1160511	WATER FILTER \varnothing 9x1.5 mm
30	1320538	PRESSURE SWITCH - NEW MODEL
31	3240123	MICROSWITCH 16A 250V
32	1186078	PRESSURE SWITCH DIAPHRAGM \varnothing 38 mm
33	1320531	PRESSURE SWITCH P302/6 3-POLES 30A
33	1320541	PRESSURE SWITCH PARKER
34	1240004	MAGNETIC LEVEL MICROSWITCH
35	1188501	LEVEL FLOAT CIMBALI
37	1250015	FLOAT SEALING SPRING
38	1240005	MAGNET \varnothing 12x17 mm
39	1186607	FLAT CARBO GASKET \varnothing 57.8x50x3 mm
40	3240179	MAGNETIC MICROSWITCH E5301C
40	3240181	PROTECTED MAGNET 62x18x10 mm
42	1186619	COPPER FLAT GASKET \varnothing 18x14x1.5 mm
43	1527541	WATER LEVEL TUB
45	1786011	O-RING 0164 VITON
46	1520537	LEVEL GLASS 89x30 mm SILK-SCREEN PRINTED
46	1520538	SILK-SCREEN PRINTED LEVEL PLATE 89x30 mm
46	1520638	SCREEN-PRINTED LEVEL GAUGE PLATE 89x30mm
47	1186228	ASBESTOS FREE FLAT GASKET 90x31x1 mm
48	1201009	LEVEL COVER
50	1184006	LOW CYLINDER HEAD SCREW M4x12
51	1201005	COMPLETE LEVEL GAUGE
52	1186991	FLAT EPDM GASKET 72x22x3 mm
53	1201049	LEVEL GLASS 72x22x4 mm



LEVEL GAUGE ASSY M39GT





CIMBALI



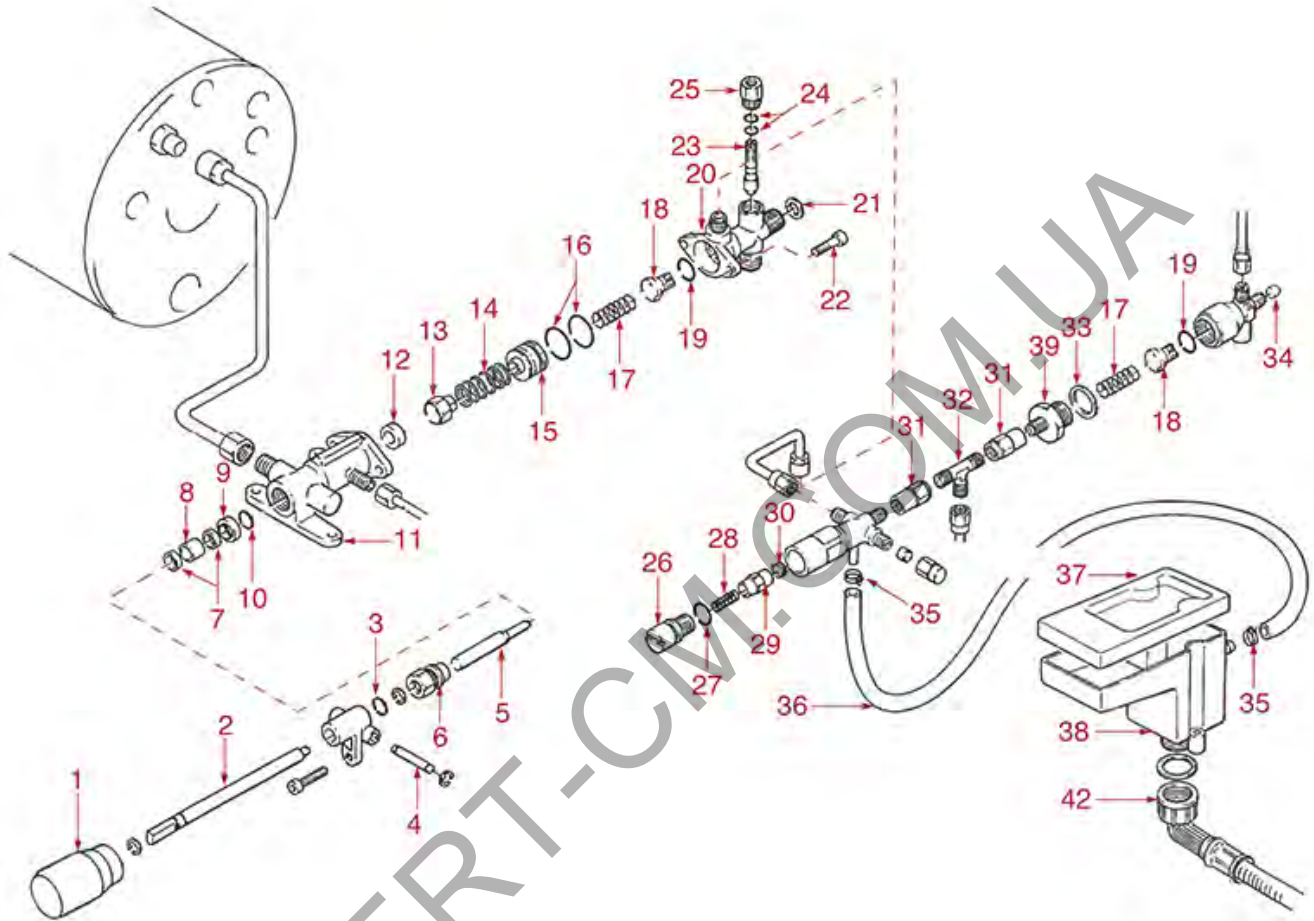
Position	LF code no.	Description
4	1449285	SILICONE HOSE \varnothing 6x10 SHORE 60 - 100 m
4	1449685	SILICONE HOSE \varnothing 6x10 SHORE 60 - 5 m
6	1449285	SILICONE HOSE \varnothing 6x10 SHORE 60 - 100 m
6	1449685	SILICONE HOSE \varnothing 6x10 SHORE 60 - 5 m
9	1449289	SILICONE HOSE \varnothing 10x13 SHORE 60 - 100 m
9	1449689	SILICONE HOSE \varnothing 10x13 SHORE 60 - 10 m
10	1320021	ELECTRONIC PRESSURE SWITCH
11	1186365	"O" RING 02012 EPDM
12	1320017	PRESSURE SENSOR
13	1186255	O-RING 0109 EPDM
15	1201052	COMPLETE LEVEL GLASS
16	1786166	PTFE FLAT GASKET \varnothing 18x14x1.5 mm
18	1527541	WATER LEVEL TUB
19	1786011	O-RING 0164 VITON
20	1323007	GREEN LEVEL BALL \varnothing 9.6 mm
21	1520537	LEVEL GLASS 89x30 mm SILK-SCREEN PRINTED
21	1520538	SILK-SCREEN PRINTED LEVEL PLATE 89x30 mm
21	1520638	SCREEN-PRINTED LEVEL GAUGE PLATE 89x30mm
22	1186228	ASBESTOS FREE FLAT GASKET 90x31x1 mm
23	1201009	LEVEL COVER
24	1905002	LEVEL GLASS KIT

EXPERT-CM.COM.UA



INLET TAP M20-M27-M28-M29-M30-M31

M20-M27-M28-M29-M30-M31



Espansione • Expansion • Expansions



JUNIOR - M20 - M27
M28 - M30 - M49 - M50

Ritegno • Non-Return • Rückschlag



M20 - M27 - M28 - M29 - M30 - M31
M32 - M49 - M51 - M52 - M53



CIMBALI

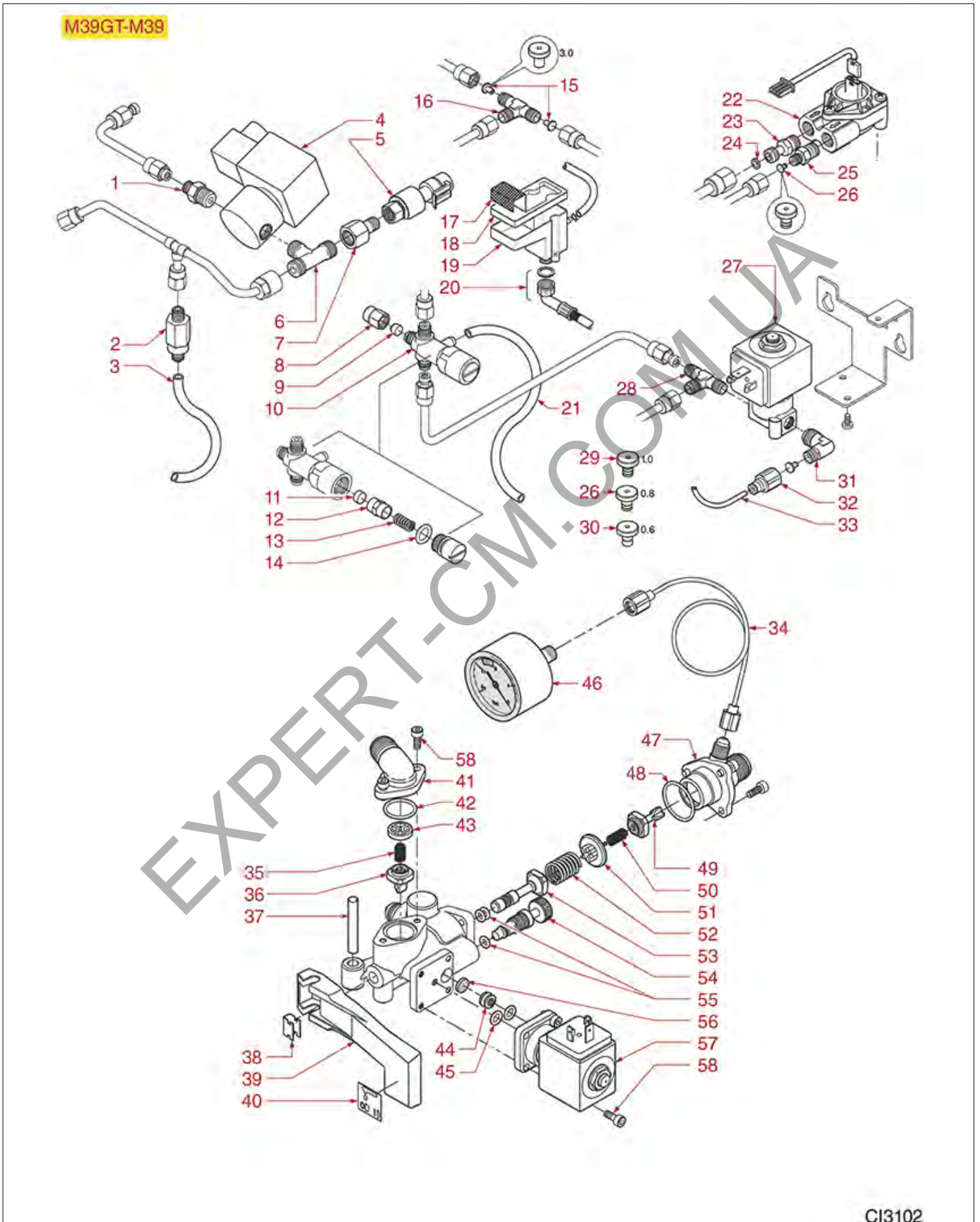


Position	LF code no.	Description
3	1186803	O-RING 02037 EPDM
5	1324047	INLET TAP SPINDLE
6	1349046	INLET TAP FITTING
7	1186359	FLAT PTFE GASKET \varnothing 11.4x8x3 mm
8	1348315	SPACER \varnothing 11x11 mm
9	1186355	GASKET HOLDER FOR TAP
10	1186358	O-RING 03030 EPDM
10	1786155	VITON O-RING 03030
12	1186300	FLAT GASKET \varnothing 15x7.3x4 mm EPDM
13	1186353	GASKET HOLDER FOR TAP
14	1250227	WATER INLET SPRING \varnothing 18x30 mm
15	1324046	SPINDLE PIN
16	1186356	O-RING 03075 EPDM
17	1250228	SPRING \varnothing 11,5x24 mm
19	1186304	O-RING 0112 EPDM
24	1186362	"O" RING 02021 EPDM
27	1186236	O-RING 03043 VITON
30	1186363	BLIND GASKET \varnothing 9x5 mm
32	3349356	NICHEL-PL. T-FITTING \varnothing 1/8"M-1/8"M-1/8"M
33	3243382	O-RING 02087 EPDM
36	1449685	SILICONE HOSE \varnothing 6x10 SHORE 60 - 5 m
38	1527003	DRAIN TANK
41	1523015	NON-RETURN VALVE
41	1523016	EXPANSION VALVE
42	1449876	DRAIN PIPE \varnothing 3/4"F 1500 mm

EXPERT-CM.COM.UA



WATER INLET TAP M39GT-M39





CIMBALI



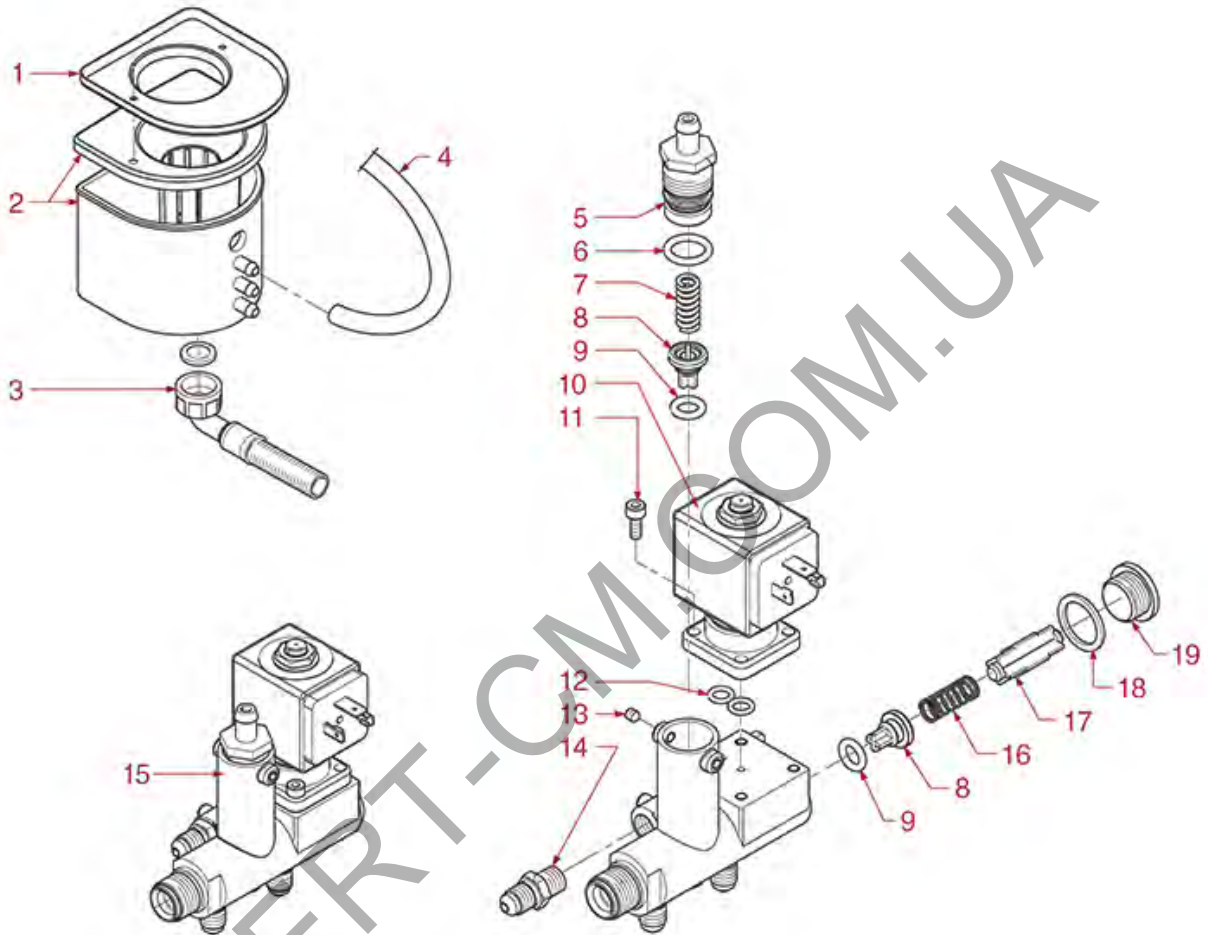
Position	LF code no.	Description
2	1720001	EXPANSION VALVE \varnothing 1/8"M-1/8"M
3	1449285	SILICONE HOSE \varnothing 6x10 SHORE 60 - 100 m
3	1449685	SILICONE HOSE \varnothing 6x10 SHORE 60 - 5 m
10	1523019	EXPANSION VALVE
11	1786220	BLIND GASKET \varnothing 9.2x4.6 mm VITON
14	1186318	O-RING 03043 EPDM
16	3349356	NICHEL-PL.T-FITTING \varnothing 1/8"M-1/8"M-1/8"M
20	1449876	DRAIN PIPE \varnothing 3/4"F 1500 mm
21	1449285	SILICONE HOSE \varnothing 6x10 SHORE 60 - 100 m
21	1449685	SILICONE HOSE \varnothing 6x10 SHORE 60 - 5 m
22	1455058	VOLUMETRIC FLOWMETER GICAR
28	1349153	T-FITTING \varnothing 1/4"M-1/4"M-1/4"M
33	1449500	PTFE PIPE \varnothing 2x4 mm - 10 m
35	1250162	NON-RETURN VALVE SPRING \varnothing 6.5x20 mm
39	1225011	INLET TAP LEVER
42	3243069	O-RING OR 02068 EPDM
43	1250164	TAP SPRING GUIDE
45	1186966	GASKET ORM 0057-19 VITON GREEN
46	1245557	PUMP PRESSURE GAUGE \varnothing 42 mm 0÷16 bar
48	1186401	O-RING 02093 EPDM
49	1358004	NON-RETURN VALVE
50	1250162	NON-RETURN VALVE SPRING \varnothing 6.5x20 mm
51	1250161	TAP SPRING GUIDE
52	1250160	PIN SPRING \varnothing 14x23 mm
53	1523017	INLET VALVE
55	1186252	O-RING 0040-20 EPDM
56	1160011	WATER FILTER \varnothing 9 mm
57	1120241	2-WAY SOLENOID VALVE LUCIFER 24V 50/60Hz
58	1455034	CYLINDER HEAD SCREW M4x10

EXPERT-CM.COM.UA



INLET TAP M24-M24SELECT

M24-M24SELECT



EXPERT-CM.COM.UA

 50	 51	 100 101 102 103 104 105 106 107 108 109	 200 201 202 203 204 205 206 207 208 209	 300 301 302 303 304 305 306 307 308 309	 400 401 402 403 404 405 406 407 408 409
---------------	---------------	--	--	--	--



CIMBALI

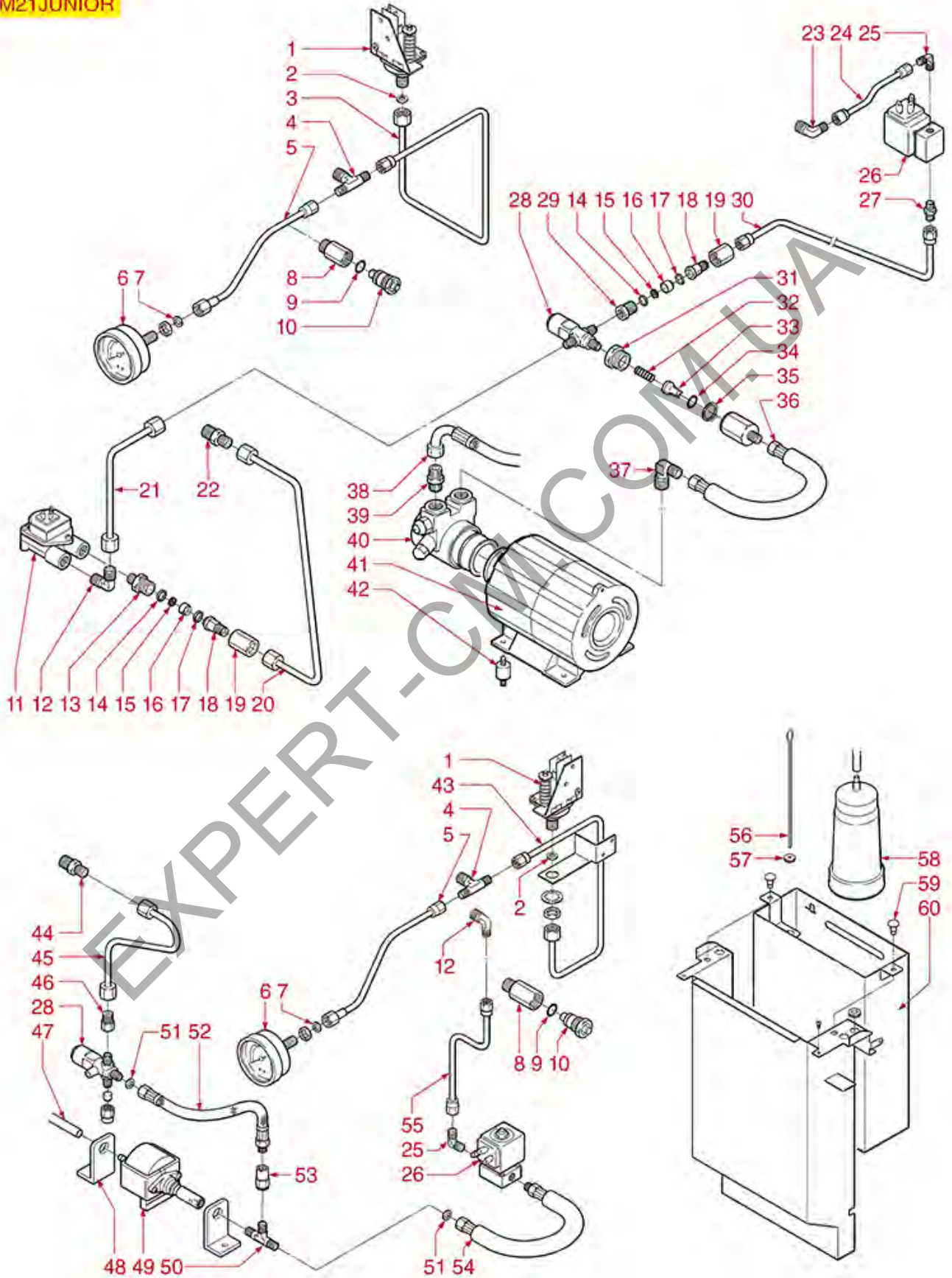


Position	LF code no.	Description
2	1527037	DRAIN TANK
3	1449876	DRAIN PIPE ø 3/4" F 1500 mm
4	1449285	SILICONE HOSE ø 6x10 SHORE 60 - 100 m
4	1449685	SILICONE HOSE ø 6x10 SHORE 60 - 5 m
6	3060608	O-RING O3050 EPDM
8	1523066	CHECK VALVE
9	1786197	O-RING 03030 GREEN VITON
10	1120241	2-WAY SOLENOID VALVE LUCIFER 24V 50/60Hz
11	1455034	CYLINDER HEAD SCREW M4x10
12	1186966	GASKET ORM 0057-19 VITON GREEN
18	1186957	FLAT GASKET PTFE ø 22x17x1,5 mm
50	1449104	DRAIN ELBOW 3/4"
51	1449876	DRAIN PIPE ø 3/4" F 1500 mm
100	1449670	DRAIN PIPE ELISPIR ø 12x18 mm - 5 m
101	1449270	DRAIN PIPE ELISPIR ø 12x18 mm - 30 m
102	1449671	DRAIN PIPE ELISPIR ø 14x20 mm - 5 m
103	1449271	DRAIN PIPE ELISPIR ø 14x20 mm - 30 m
104	1449672	DRAIN PIPE ELISPIR ø 16x23 mm - 5 m
105	1449272	DRAIN PIPE ELISPIR ø 16x23 mm - 30 m
106	1449673	DRAIN PIPE ELISPIR ø 18x25 mm - 5 m
107	1449273	DRAIN PIPE ELISPIR ø 18x25 mm - 30 m
108	1449674	DRAIN PIPE ELISPIR ø 20x27 mm - 5 m
109	1449274	DRAIN PIPE ELISPIR ø 20x27 mm - 30 m
200	3449036	FLEX HOSE ø 3/4" Fp x Fp 1000 mm
201	3449032	FLEX HOSE ø 3/4" Fp x Fp 1500 mm
202	3449033	FLEX HOSE ø 3/4" Fp x Fp 2000 mm
203	1449724	FLEX HOSE ø 3/8" Fp x Fp 1000 mm
204	1449726	FLEX HOSE ø 3/8" Fp x Fp 1500 mm
205	1449089	FLEX HOSE ø 3/8" Fp x Fp 2000 mm
206	1449722	FLEX HOSE ø 3/8" Fc x Fc 500 mm
207	1449705	FLEX HOSE ø 3/8" Fc x Fc 750 mm
208	1449723	FLEX HOSE ø 3/8" Fc x Fc 1000 mm
209	1449725	FLEX HOSE ø 3/8" Fc x Fc 1500 mm
300	1449710	FLEX HOSE ø 3/8" Fp x Fc 300 mm
301	1449711	FLEX HOSE ø 3/8" Fp x Fc 500 mm
302	1449712	FLEX HOSE ø 3/8" Fp x Fc 800 mm
303	1449713	FLEX HOSE ø 3/8" Fp x Fc 1000 mm
304	1449714	FLEX HOSE ø 3/8" Fp x Fc 1200 mm
305	1449715	FLEX HOSE ø 3/8" Fp x Fc 1500 mm
306	1449708	FLEX HOSE ø 1/8" Fp x Fp 300 mm
307	1449709	FLEX HOSE ø 1/8" Fp x Fp 600 mm
308	1449706	FLEX HOSE ø 1/8" Fc x Fc 370 mm
309	1449707	FLEX HOSE ø 1/8" Fc x Fc 1500 mm
400	3449037	FLEX HOSE ø 3/4" Fp x CFp 1000 mm
401	3449034	FLEX HOSE ø 3/4" Fp x CFp 1500 mm
402	3449035	FLEX HOSE ø 3/4" Fp x CFp 2000 mm
403	3449038	FLEX HOSE ø 3/4" Fp x CFp 2500 mm
404	1449718	FLEX HOSE ø 3/8" Fp x CFp 370 mm
405	1449703	FLEX HOSE ø 3/8" Fp x CFp 2000 mm
406	1449732	FLEX HOSE ø 3/8" Fc x CFc 500 mm
407	1449734	FLEX HOSE ø 3/8" Fc x CFc 1000 mm
408	1449736	FLEX HOSE ø 3/8" Fc x CFc 1500 mm



WATER INLET TAP M21JUNIOR

M21JUNIOR



CI3302

Positions without LF code no.: upon request



CIMBALI



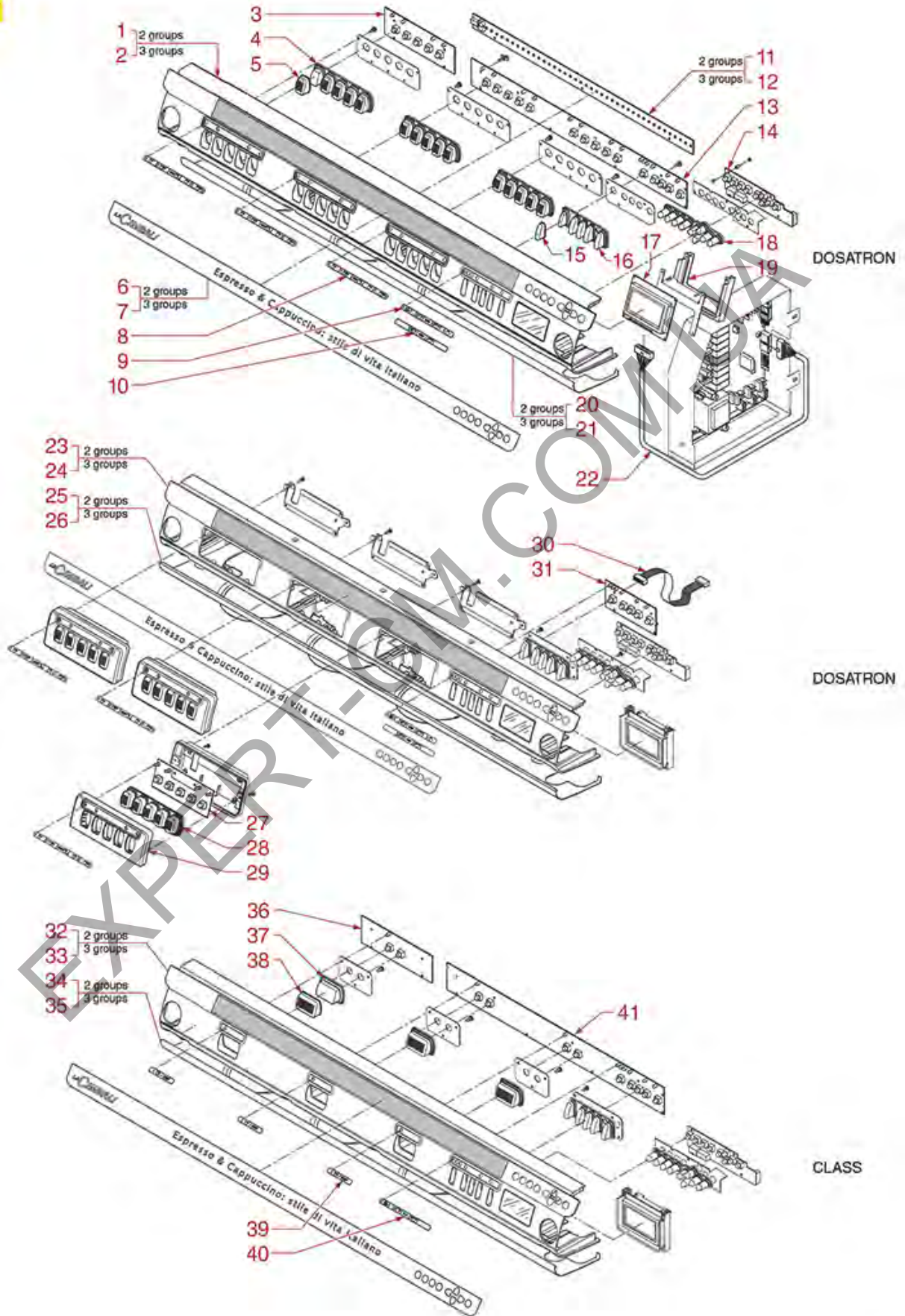
Position	LF code no.	Description
1	1320538	PRESSURE SWITCH - NEW MODEL
6	1245546	BOILER PRESSURE GAUGE \varnothing 57 mm 0÷2.5 bar
7	1186974	FLAT PTFE GASKET \varnothing 8.5x4.5x1.5 mm
9	1186304	O-RING 0112 EPDM
11	1455068	VOLUMETRIC FLOWMETER GICAR
14	1186301	COPPER FLAT GASKET \varnothing 14x10x1 mm
15	1160511	WATER FILTER \varnothing 9x1.5 mm
16	1501012	NOZZLE \varnothing 14 HOLE \varnothing 0.8 mm
25	1349013	L-FITTING \varnothing 1/8"M-1/8"M NICKEL-PLATED
26	1120355	2-WAY SOLENOID VALVE PARKER 230V 50/60Hz
26	1120461	2-WAY SOLENOID VALVE LUCIFER 240V 50Hz
27	1349101	FITTING \varnothing 1/8"M-1/8"M NICKEL-PLATED
28	1523019	EXPANSION VALVE
32	1250228	SPRING \varnothing 11,5x24 mm
33	1523049	VALVE FOR NON-RETURN VALVE
34	1186304	O-RING 0112 EPDM
35	3243382	O-RING 02087 EPDM
36	1449706	FLEX HOSE \varnothing 1/8" Fc x Fc 370 mm
39	1349100	PUMP CONNECTION \varnothing 3/8" CONIC-3/8" STRAIGH
40	1330019	ROTARY VANE PUMP PROCON \varnothing 3/8" NPT
41	1240181	RPM MOTOR WITH CLAMP 275W
47	1449285	SILICONE HOSE \varnothing 6x10 SHORE 60 - 100 m
47	1449685	SILICONE HOSE \varnothing 6x10 SHORE 60 - 5 m
48	1331023	SQUARE DAMPER EX-EP-EK-EA
49	1122739	VIBRATORY PUMP EX5 48W 230V 50Hz
50	3349356	NICHEL-PL.T-FITTING \varnothing 1/8"M-1/8"M-1/8"M
51	1186974	FLAT PTFE GASKET \varnothing 8.5x4.5x1.5 mm

EXPERT-CM.COM.UA



PUSH-BUTTON PANELS M39GT

M39GT



CI4102



CIMBALI



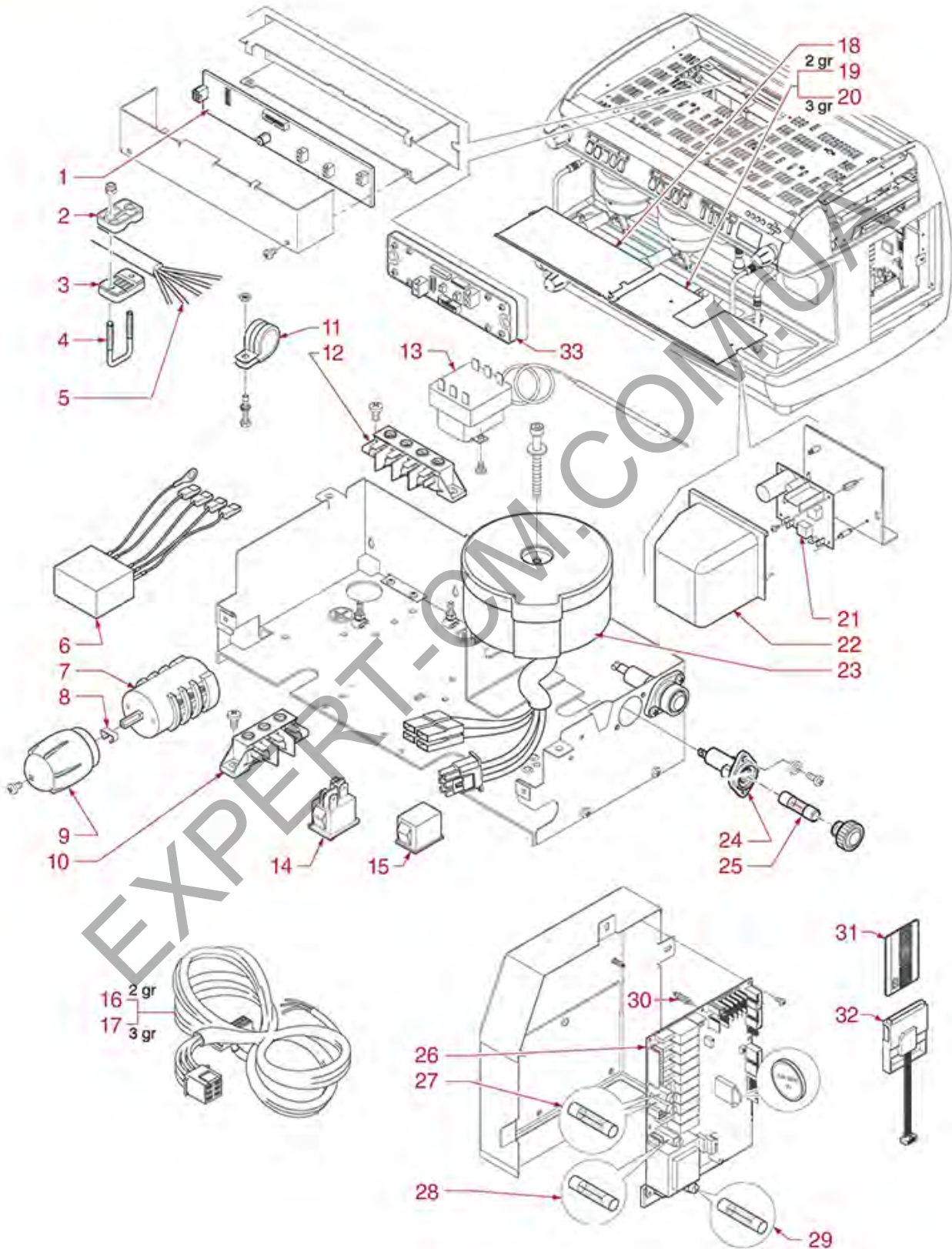
Position	LF code no.	Description
3	1319506	5 BUTTONS PUSH-BUTTON PANEL
4	1319512	5 BUTTONS PUSH-BUTTON PANEL DIAPHRAGM
13	1319507	15 BUTTONS PUSH-BUTTON PANEL
17	1390122	DISPLAY CIRCUIT BOARD
36	1319508	2 BUTTONS PUSH-BUTTON PANEL

EXPERT-CM.COM.UA



ELECTRICAL SYSTEM M39GT

M39GT





CIMBALI

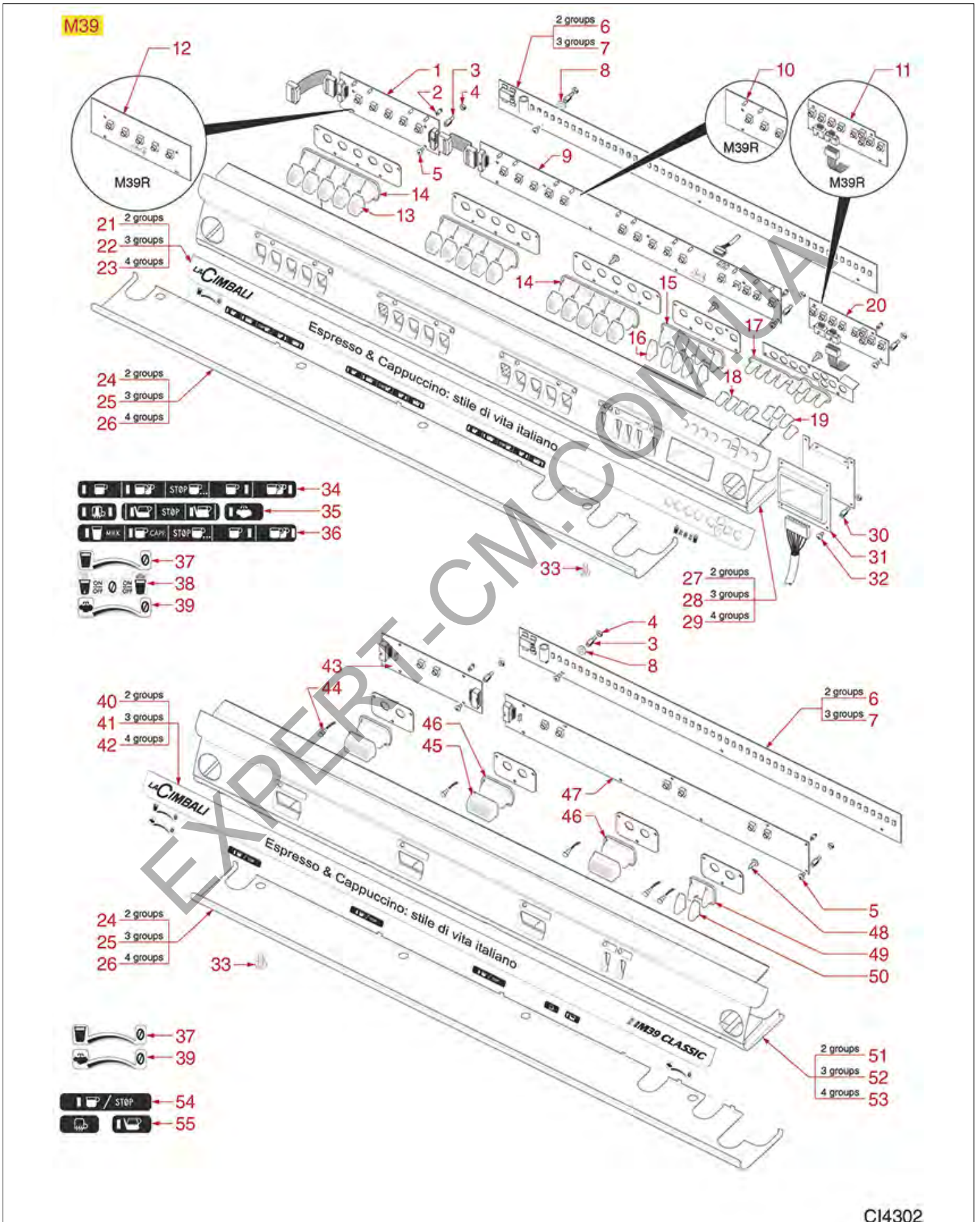


Position	LF code no.	Description
7	1057031	SELECTOR SWITCH 0-1 POSITIONS 25A 690V
8	1241557	ELASTIC RING FOR KNOB
10	3247016	3-POLE TERMINAL BLOCK FV273 40A 450V
12	3247037	4-POLE TERMINAL BLOCK FV173 40A 600V
13	1444509	THREE-PHASE THERMOSTAT 169°C
23	1739002	TOROIDAL TRANSFORMER 240V 50/60Hz
27	3049001	DELAY FUSE \varnothing 5x20 mm - 10 PCS
29	3049052	QUICK ACTING FUSE \varnothing 5x20 mm - 10 PCS

EXPERT-CM.COM.UA



PUSH-BUTTON PANELS M39





CIMBALI



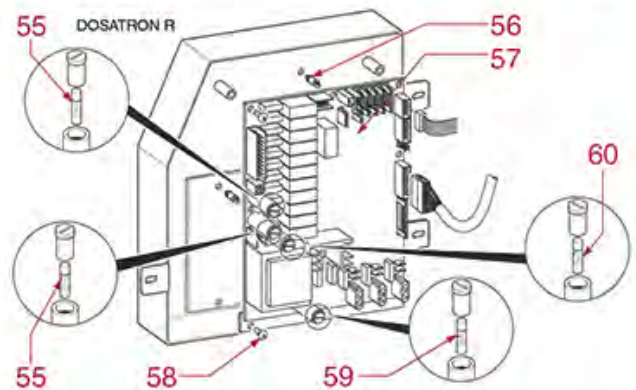
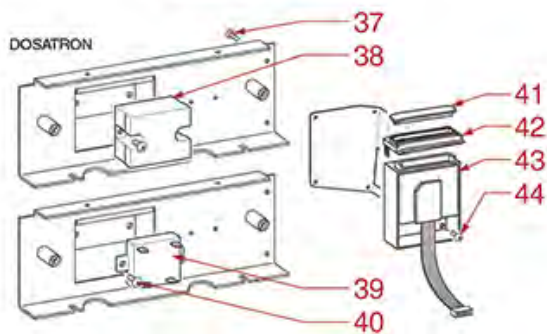
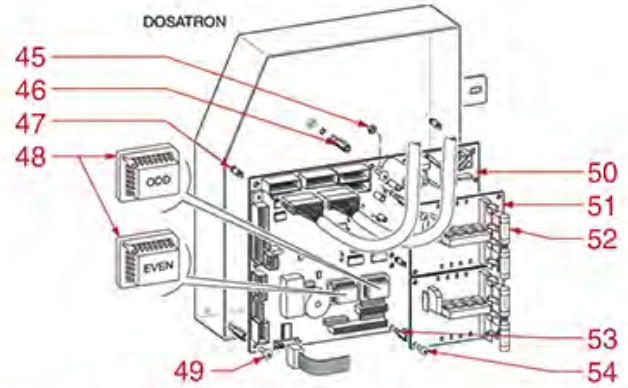
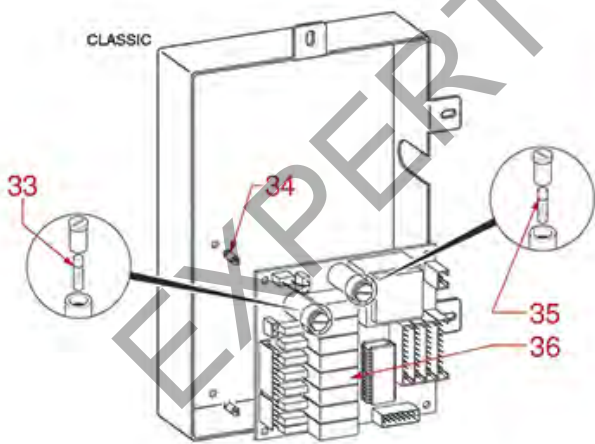
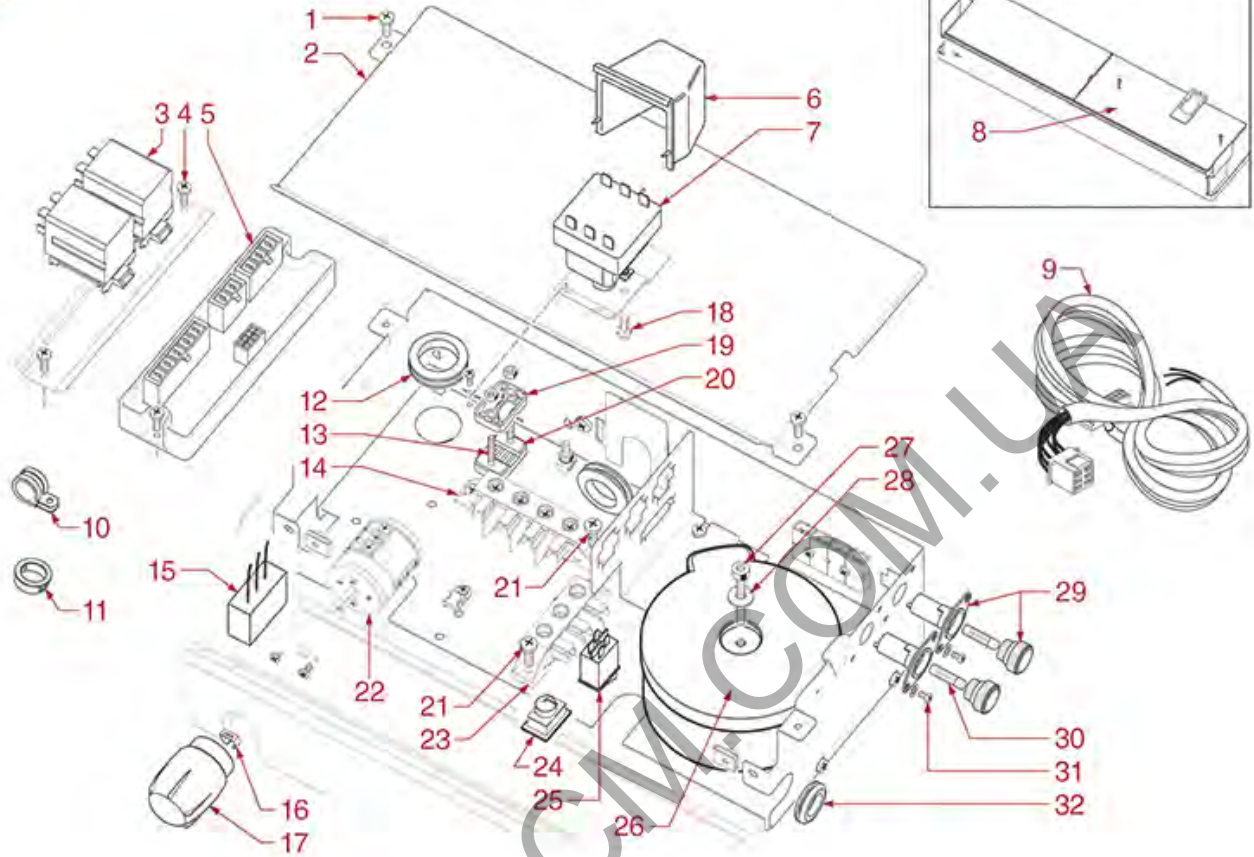
Position	LF code no.	Description
1	1319517	PUSH BUTTON PANEL BOARD 5 BUTTONS
10	1319507	15 BUTTONS PUSH-BUTTON PANEL
12	1319506	5 BUTTONS PUSH-BUTTON PANEL
14	1319518	PUSH-BUTTON PANEL DIAPHRAGM 5 BUTTONS
31	1390122	DISPLAY CIRCUIT BOARD
43	1319519	PUSH-BUTT.PANEL ELECTR.CIRC.BOARD 2 BUTT
44	1221056	NEUTRAL INDICATOR LAMP 24V

EXPERT-CM.COM.UA



ELECTRICAL SYSTEM M39

M39





CIMBALI



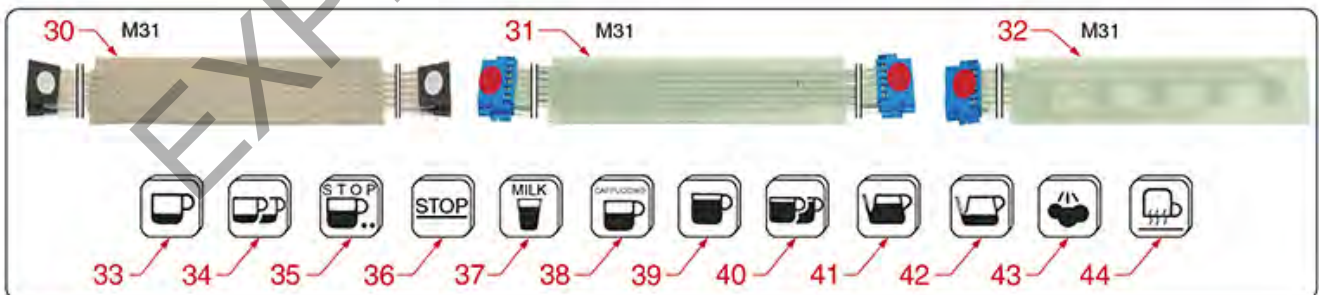
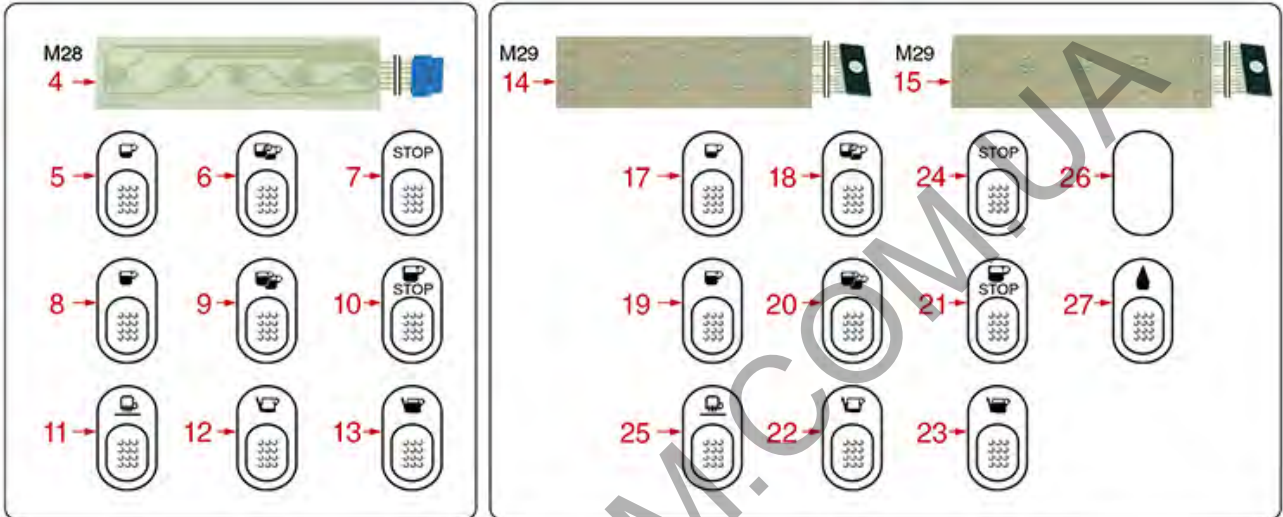
Position	LF code no.	Description
3	5038177	RELAY 65.31 30A 250V
4	1528631	CYLINDER HEAD SCREW M4x8
7	1444509	THREE-PHASE THERMOSTAT 169°C
14	3247037	4-POLE TERMINAL BLOCK FV173 40A 600V
16	1241557	ELASTIC RING FOR KNOB
21	5022646	CYLINDER HEAD SCREW M5x10
22	1057031	SELECTOR SWITCH 0-1 POSITIONS 25A 690V
23	3247016	3-POLE TERMINAL BLOCK FV273 40A 450V
26	1739002	TOROIDAL TRANSFORMER 240V 50/60Hz
33	3049052	QUICK ACTING FUSE \varnothing 5x20 mm - 10 PCS
37	1528631	CYLINDER HEAD SCREW M4x8
40	1528631	CYLINDER HEAD SCREW M4x8
52	3049001	DELAY FUSE \varnothing 5x20 mm - 10 PCS
55	3049001	DELAY FUSE \varnothing 5x20 mm - 10 PCS
58	1528631	CYLINDER HEAD SCREW M4x8
59	3049052	QUICK ACTING FUSE \varnothing 5x20 mm - 10 PCS

EXPERT-CM.COM.UA



PUSH-BUTTON M20-22-25-27-28-29-30-31-32

M20-M22-M25-M27-M28-M29-M30-M31-M32





CIMBALI



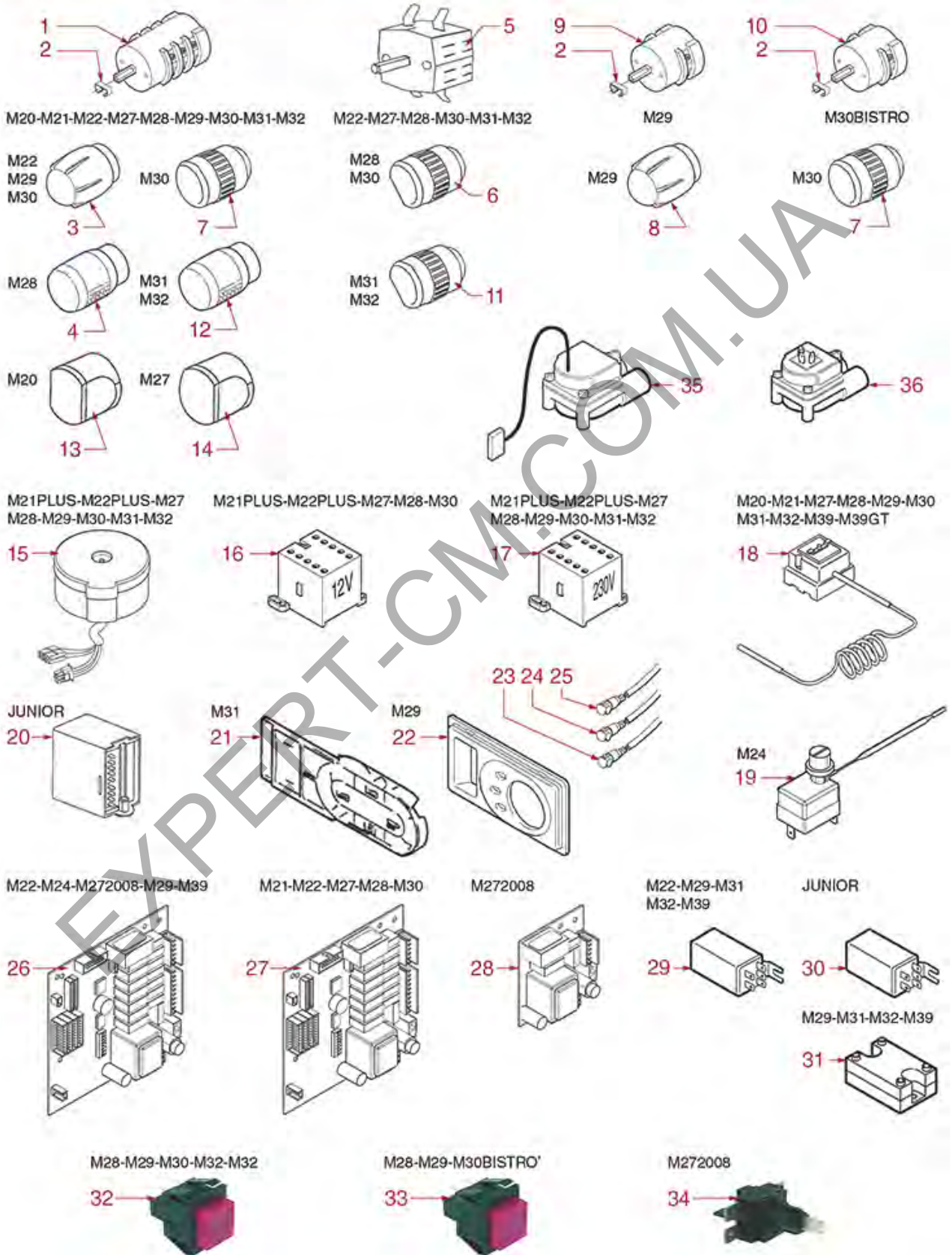
Position	LF code no.	Description
1	1319523	PUSH-BUTTON PANEL MEMBRANE 5 BUTTONS
2	1319046	PUSH-BUTTON PANEL MEMBRANE 5 BUTTONS
28	1319522	PUSH-BUTTON PANEL MEMBRANE 5 BUTTONS
45	1319049	PUSH-BUTTON PANEL MEMBRANE 5 BUTTONS
46	1319515	PUSH-BUTTON PANEL DIAPHRAGM 5 BUTTONS
47	1319520	PUSH-BUTTON PANEL DIAPHRAGM 5 BUTTONS

EXPERT-CM.COM.UA



ELECTRICAL SYSTEM M22-27-28-29-30-31-32

M20-M22-M25-M27-M28-M29-M30-M31-M32





CIMBALI



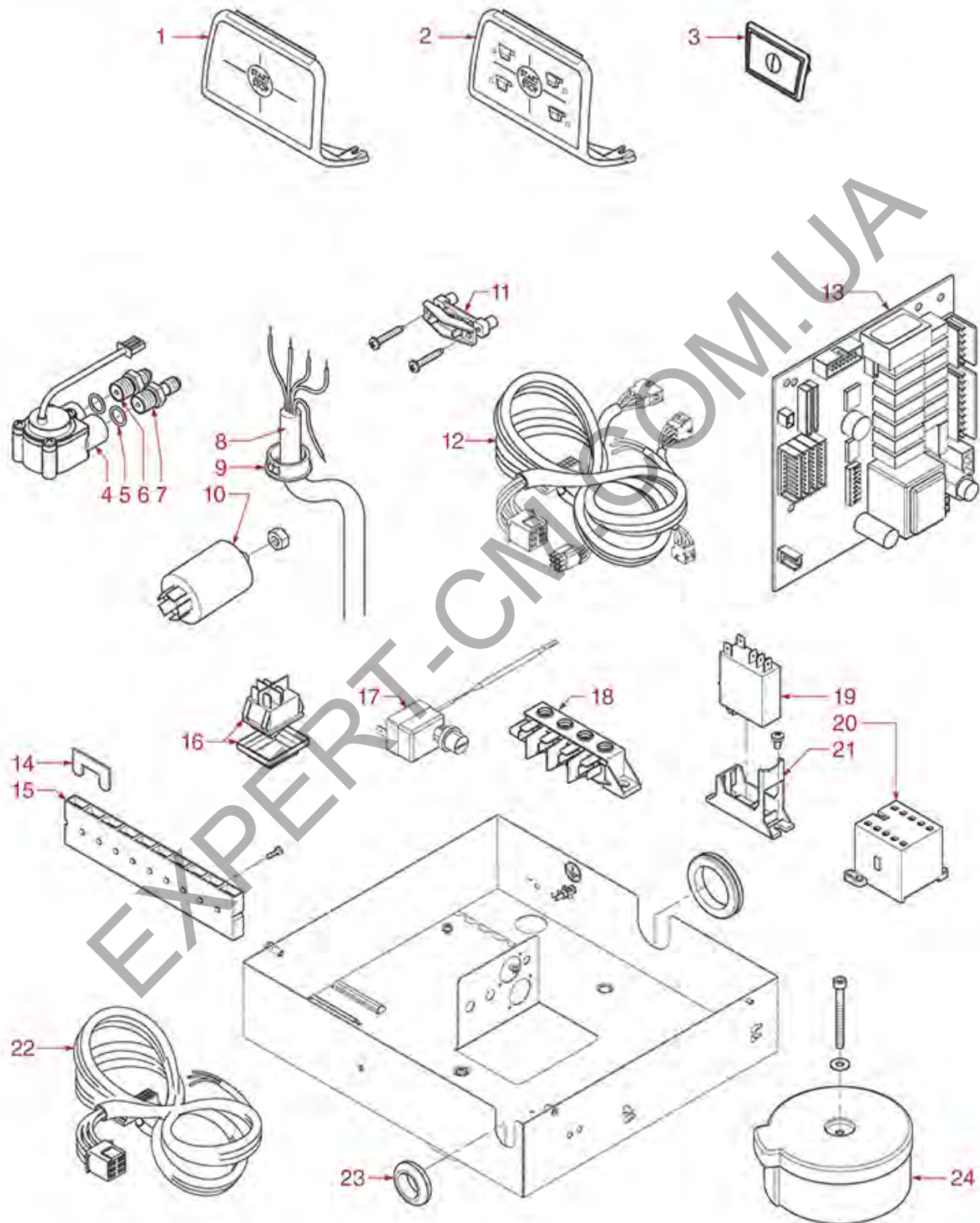
Position	LF code no.	Description
1	1319016	SELECTOR SWITCH 0-2 POSITIONS 20A 600V
2	1241557	ELASTIC RING FOR KNOB
5	1319017	SELECTOR SWITCH 0-1 POSITIONS 16A 690V
6	1241013	SELECTOR SWITCH KNOB
7	1241011	SELECTOR SWITCH KNOB ø 40 mm
9	1319017	SELECTOR SWITCH 0-1 POSITIONS 16A 690V
11	1241014	SELECTOR SWITCH KNOB
12	1241012	SELECTOR SWITCH KNOB ø 40 mm
13	1241555	SELECTOR SWITCH KNOB
14	1241556	SELECTOR SWITCH KNOB
15	1739002	TOROIDAL TRANSFORMER 240V 50/60Hz
16	1354001	CONTACTOR ALLEN-BRADLEY K09 9A 400V 4Kw
17	3446556	CONTACTOR LOVATO BG0910A
18	1444509	THREE-PHASE THERMOSTAT 169°C
19	5047881	SINGLE-PHASE THERMOSTAT 170°C
20	1341002	LEVEL REGULATOR RL30/3ES/F 200/240V
21	1201002	LEVEL AND PRESSURE GAUGE PLATE
23	1221001	RED INDICATOR LAMP 220V
24	1221002	GREEN INDICATOR LAMP 220V
25	1221003	RED INDICATOR LAMP 24V
28	1390001	LEVEL ELECTRONIC BOARD
29	5038177	RELAY 65.31 30A 250V
30	3351605	RELAY POWER FINDER 60.63.8.230.0000
32	3319420	SWITCH 2-POLE RED 16A 250V
33	3319421	RED BIPOLAR PUSH BUTTON 16A 250V
34	1319053	BIPOLAR SWITCH 16A 250V
35	1455058	VOLUMETRIC FLOWMETER GICAR
36	1455067	VOLUMETRIC FLOWMETER GICAR
36	1455068	VOLUMETRIC FLOWMETER GICAR

EXPERT-CM.COM.UA



ELECTRICAL SYSTEM M24

M24-M24SELECT





CIMBALI



Position	LF code no.	Description
4	1455058	VOLUMETRIC FLOWMETER GICAR
5	1186950	O-RING 02043 VITON GREEN
16	3319012	SWITCH 2-POLE GREEN 16A 250V
17	5047881	SINGLE-PHASE THERMOSTAT 170°C
18	3247037	4-POLE TERMINAL BLOCK FV173 40A 600V
20	1454001	CONTACTOR ALLEN-BRADLEY K09 20A 400V
24	1739002	TOROIDAL TRANSFORMER 240V 50/60Hz

EXPERT-CM.COM.UA

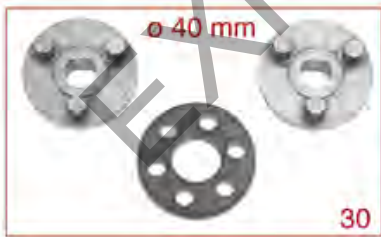
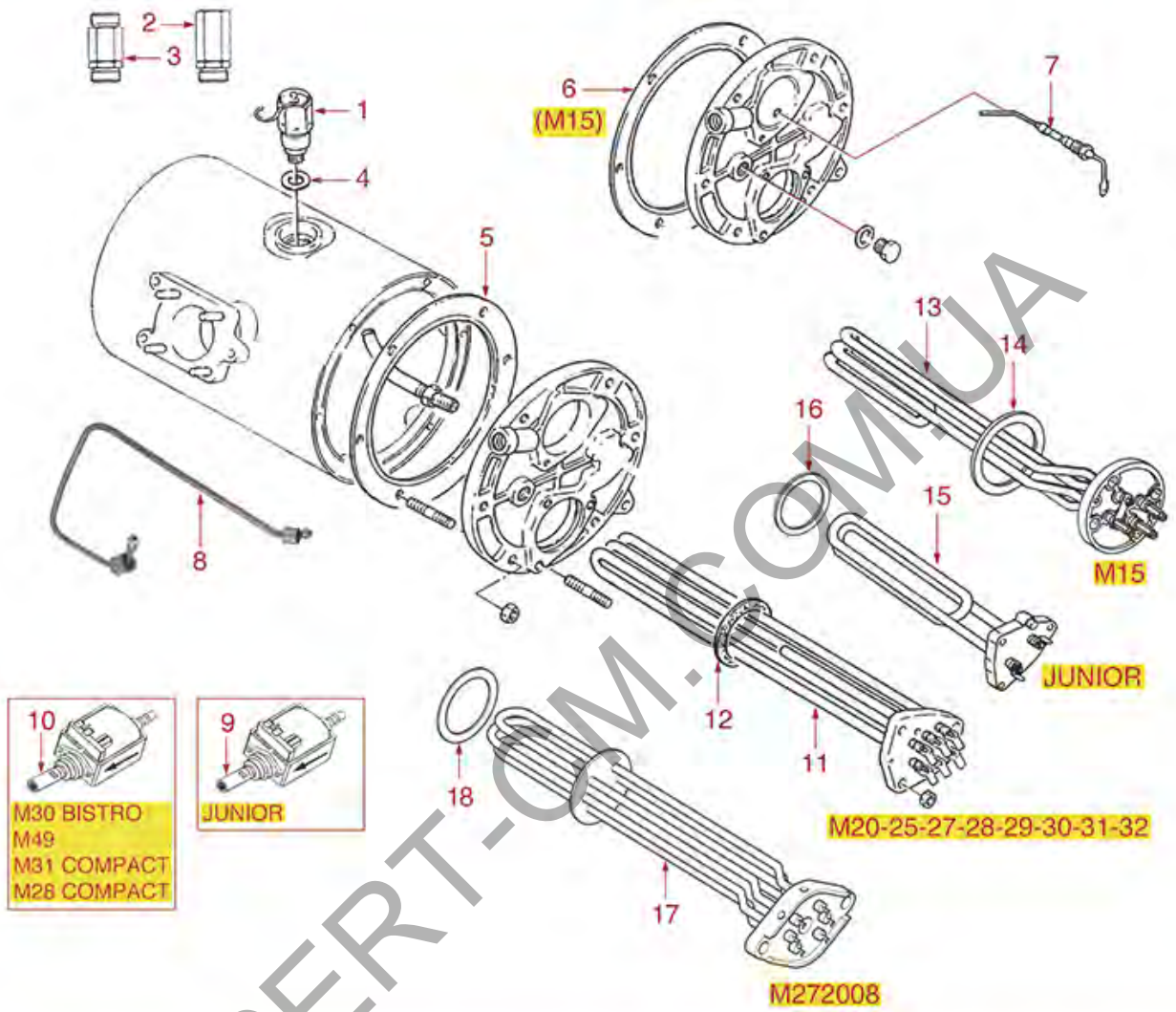


CIMBALI



BOILER J-M15-20-22-25-27-28-29-30-31-32

JUNIOR-M15-M20-M22-M25-M27-M28-M29-M30-M31-M32





CIMBALI

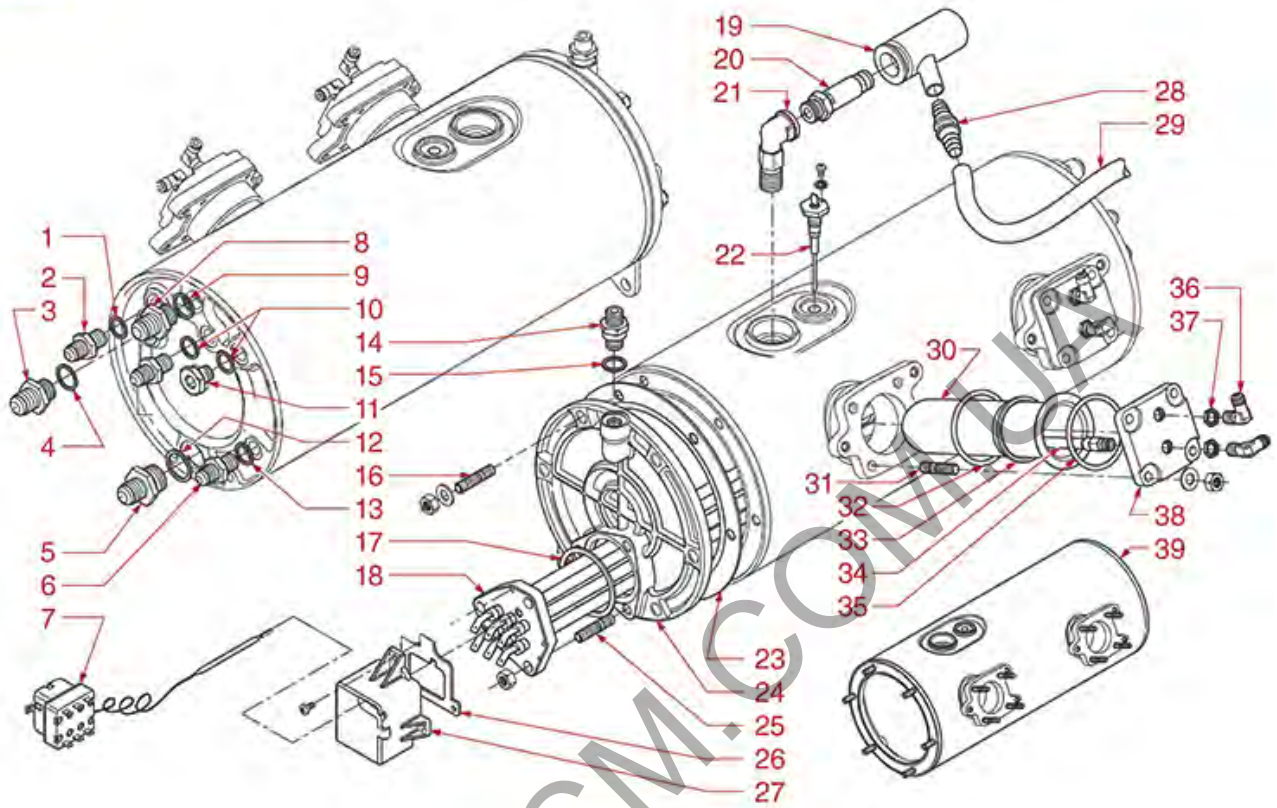


Position	LF code no.	Description
1	1515100	BOILER VALVE \varnothing 3/8"M 1.8bar CE-PED
2	1523541	BOILER VALVE \varnothing 1/4"M
3	1523411	NON-RETURN VALVE \varnothing 1/2"F-1/2"F
4	1186394	ASBESTOS FREE FLAT GASKET \varnothing 22x17x2 mm
4	1186957	FLAT GASKET PTFE \varnothing 22x17x1,5 mm
5	1186572	BOILER GASKET \varnothing 180x140x3 mm
5	1186751	BOILER GASKET \varnothing 180x140x3 mm
6	1186750	BOILER GASKET \varnothing 214x200x3 mm
7	1341003	LEVEL PROBE \varnothing 1/8"M-108 mm
8	1449322	PRESSURE SWITCH BOILER PIPE
9	1331001	VIBRATORY PUMP FLUID-O-TECH 50W 240V
10	1122747	VIBRATORY PUMP EX4 48W 24V 50/60HZ
11	1755009	HEATING ELEMENT 2050/2440W 220/240V
11	1755010	HEATING ELEMENT 4500/5370W 220/240V
11	1755083	HEATING ELEMENT 1800W 220V
11	1755088	HEATING ELEMENT 3750/4500W 220/240V
11	1755089	HEATING ELEMENT 5790W 220V
11	1755205	HEATING ELEMENT 2950/3420W 220/400V
11	1755647	HEATING ELEMENT 1800W 110V
12	1186607	FLAT CARBO GASKET \varnothing 57.8x50x3 mm
12	1186609	PTFE FLAT GASKET \varnothing 58x51x2 mm
13	1755891	HEATING ELEMENT 5000W 220V
13	3355112	HEATING ELEMENT 2700W 220/380V
14	3186006	ASBESTOS FREE FLAT GASKET \varnothing 95x56x3 mm
15	1755082	HEATING ELEMENT 1300W 220V
15	1755646	HEATING ELEMENT 1300W 110V
16	1186607	FLAT CARBO GASKET \varnothing 57.8x50x3 mm
16	1186609	PTFE FLAT GASKET \varnothing 58x51x2 mm
17	1755117	HEATING ELEMENT 3780/4500W 230/400V
18	1186179	PTFE FLAT GASKET \varnothing 57x43x3 mm
18	1186606	FLAT CARBO GASKET \varnothing 57x43x3 mm
30	1191001	COMPLETE METAL COUPLING
31	1191002	RUBBER COUPLING \varnothing 41.5 mm
32	1191003	COMPLETE METAL COUPLING
33	1191005	RUBBER COUPLING \varnothing 35 mm
34	1191004	COMPLETE METAL COUPLING

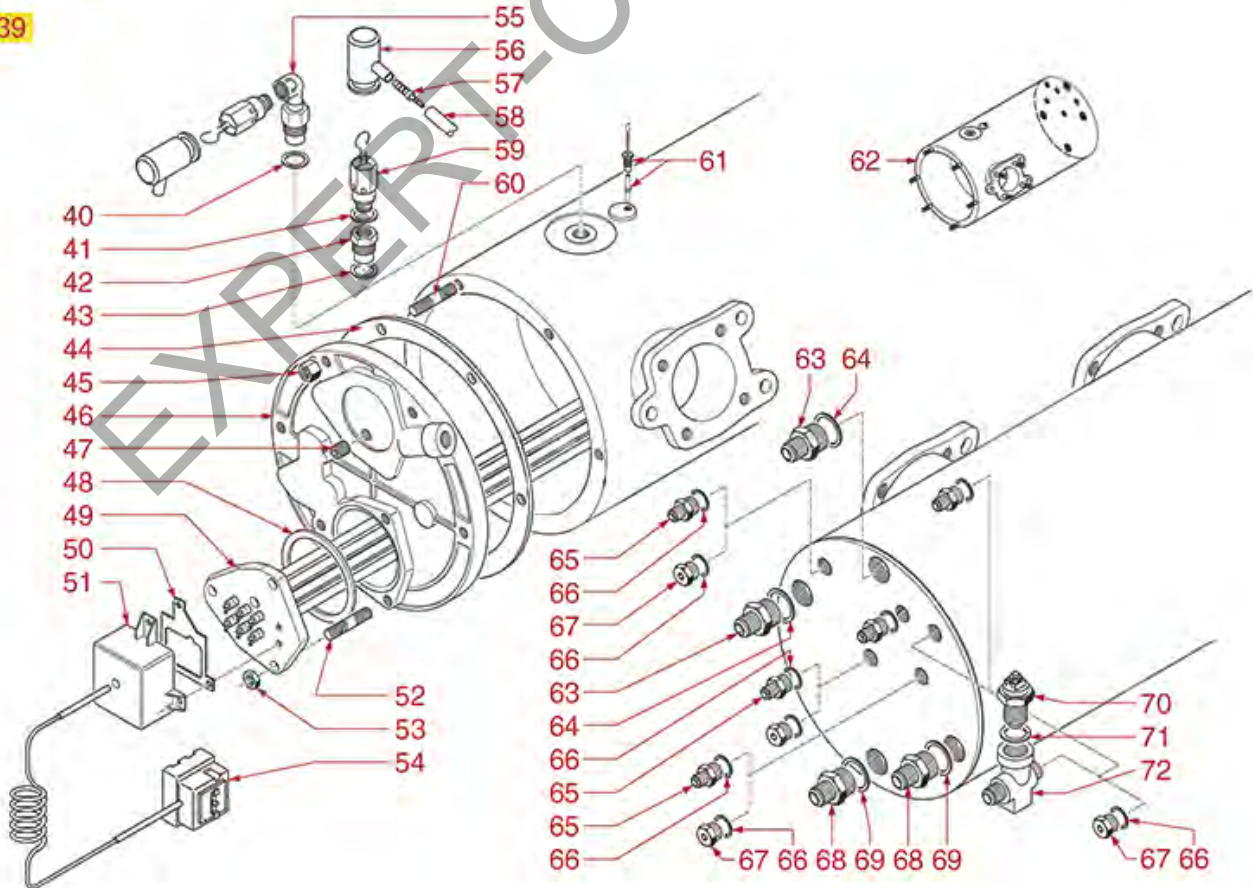


BOILER M39GT-M39

M39GT



M39





CIMBALI

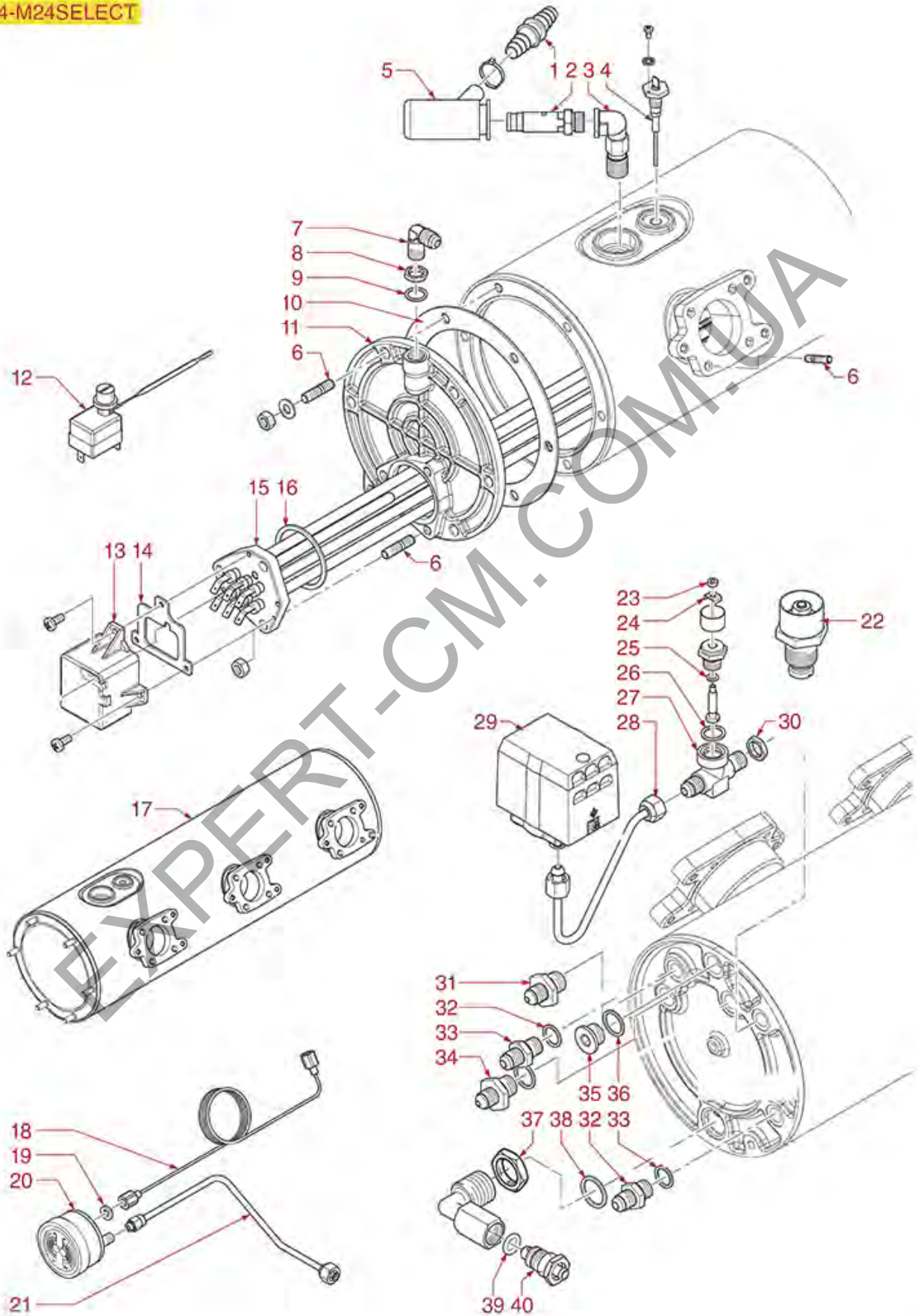


Position	LF code no.	Description
1	1186619	COPPER FLAT GASKET \varnothing 18x14x1.5 mm
4	1186620	COPPER FLAT GASKET \varnothing 22x17x1.5 mm
7	1444509	THREE-PHASE THERMOSTAT 169°C
9	1186620	COPPER FLAT GASKET \varnothing 22x17x1.5 mm
10	1186619	COPPER FLAT GASKET \varnothing 18x14x1.5 mm
12	1186214	COPPER FLAT GASKET \varnothing 26x21.5x1.5 mm
13	1186619	COPPER FLAT GASKET \varnothing 18x14x1.5 mm
15	1186619	COPPER FLAT GASKET \varnothing 18x14x1.5 mm
16	1184009	STAINLESS STEEL M8x25 mm STUD
17	1186607	FLAT CARBO GASKET \varnothing 57.8x50x3 mm
17	1186609	PTFE FLAT GASKET \varnothing 58x51x2 mm
18	1755088	HEATING ELEMENT 3750/4500W 220/240V
20	1515007	BOILER VALVE \varnothing 3/8"M - 2.0 bar CE/PED
22	1341040	LEVEL PROBE \varnothing 1/8"M-89 mm
23	1186572	BOILER GASKET \varnothing 180x140x3 mm
25	1184009	STAINLESS STEEL M8x25 mm STUD
29	1449289	SILICONE HOSE \varnothing 10x13 SHORE 60 - 100 m
29	1449689	SILICONE HOSE \varnothing 10x13 SHORE 60 - 10 m
30	1169003	CARTRIDGE \varnothing 42x210 mm
32	3186601	O-RING 04200 EPDM
33	1186279	CARTRIDGE RING
35	3186601	O-RING 04200 EPDM
40	1186957	FLAT GASKET PTFE \varnothing 22x17x1,5 mm
41	1186957	FLAT GASKET PTFE \varnothing 22x17x1,5 mm
43	1186957	FLAT GASKET PTFE \varnothing 22x17x1,5 mm
44	1186572	BOILER GASKET \varnothing 180x140x3 mm
45	3060069	HEXAGONAL NUT M8 MEDIUM
48	1186607	FLAT CARBO GASKET \varnothing 57.8x50x3 mm
48	1186609	PTFE FLAT GASKET \varnothing 58x51x2 mm
49	1755088	HEATING ELEMENT 3750/4500W 220/240V
49	1755089	HEATING ELEMENT 5790W 220V
52	1184009	STAINLESS STEEL M8x25 mm STUD
53	3060069	HEXAGONAL NUT M8 MEDIUM
54	1444509	THREE-PHASE THERMOSTAT 169°C
58	1449289	SILICONE HOSE \varnothing 10x13 SHORE 60 - 100 m
58	1449689	SILICONE HOSE \varnothing 10x13 SHORE 60 - 10 m
59	1523048	BOILER VALVE \varnothing 1/4"M 2 bar
61	1341040	LEVEL PROBE \varnothing 1/8"M-89 mm
64	1186620	COPPER FLAT GASKET \varnothing 22x17x1.5 mm
66	1186619	COPPER FLAT GASKET \varnothing 18x14x1.5 mm
67	1439018	LEVEL CAP \varnothing 1/4"M
69	1186214	COPPER FLAT GASKET \varnothing 26x21.5x1.5 mm
70	1523537	BOILER VALVE \varnothing 1/4"M
71	1786166	PTFE FLAT GASKET \varnothing 18x14x1.5 mm



BOILER M24-M24SELECT

M24-M24SELECT





CIMBALI



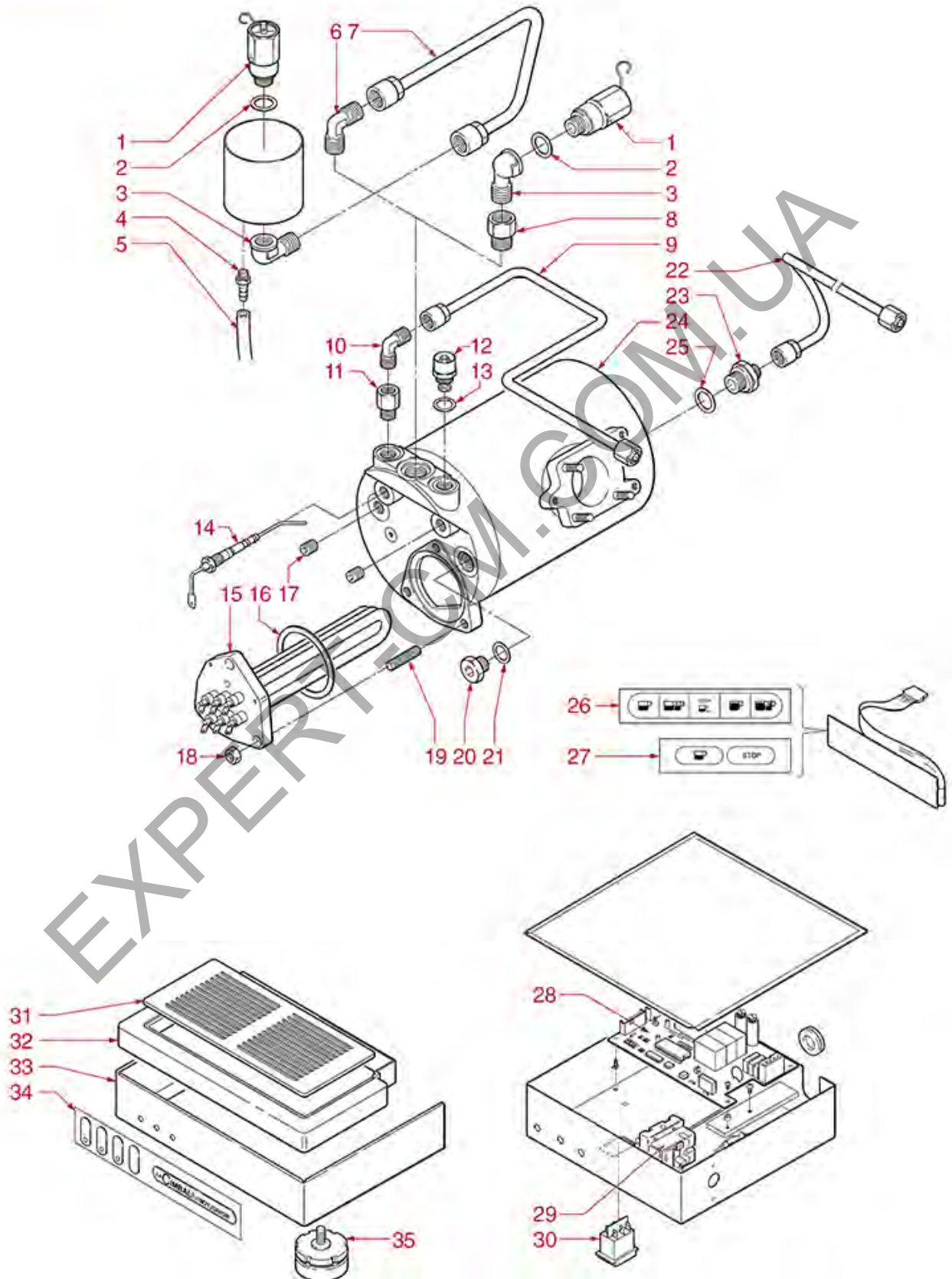
Position	LF code no.	Description
2	1515007	BOILER VALVE \varnothing 3/8"M - 2.0 bar CE/PED
4	1341040	LEVEL PROBE \varnothing 1/8"M-89 mm
9	1186619	COPPER FLAT GASKET \varnothing 18x14x1.5 mm
10	1186572	BOILER GASKET \varnothing 180x140x3 mm
12	5047881	SINGLE-PHASE THERMOSTAT 170°C
15	1755088	HEATING ELEMENT 3750/4500W 220/240V
15	1755089	HEATING ELEMENT 5790W 220V
15	1755205	HEATING ELEMENT 2950/3420W 220/400V
16	1186607	FLAT CARBO GASKET \varnothing 57.8x50x3 mm
16	1186609	PTFE FLAT GASKET \varnothing 58x51x2 mm
19	1186974	FLAT PTFE GASKET \varnothing 8.5x4.5x1.5 mm
20	1245047	BOILER-PUMP PRESSURE GAUGE \varnothing 62 mm
22	1523537	BOILER VALVE \varnothing 1/4"M
23	1348813	HEXAGONAL NUT M4 MEDIUM
25	1186362	"O" RING 02021 EPDM
26	1786166	PTFE FLAT GASKET \varnothing 18x14x1.5 mm
29	1320803	PRESSURE SWITCH P303T02 3-POLES 20A 1/4"
32	1186619	COPPER FLAT GASKET \varnothing 18x14x1.5 mm
36	1186620	COPPER FLAT GASKET \varnothing 22x17x1.5 mm
38	1186214	COPPER FLAT GASKET \varnothing 26x21.5x1.5 mm
39	1186255	O-RING 0109 EPDM

EXPERT-CM.COM.UA



BOILER M21JUNIOR

M21JUNIOR





CIMBALI



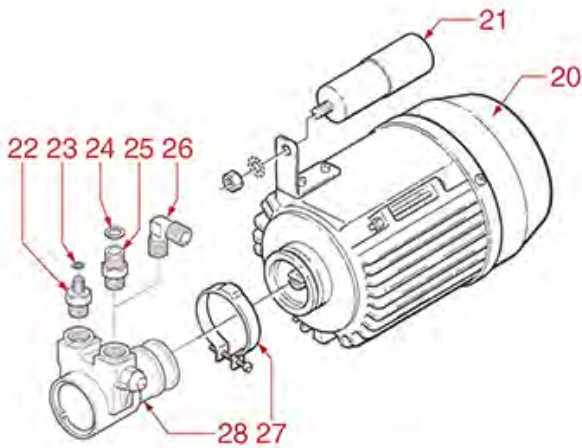
Position	LF code no.	Description
1	1515100	BOILER VALVE \varnothing 3/8"M 1.8bar CE-PED
2	1186394	ASBESTOS FREE FLAT GASKET \varnothing 22x17x2 mm
5	1449285	SILICONE HOSE \varnothing 6x10 SHORE 60 - 100 m
5	1449685	SILICONE HOSE \varnothing 6x10 SHORE 60 - 5 m
12	1523537	BOILER VALVE \varnothing 1/4"M
13	1186619	COPPER FLAT GASKET \varnothing 18x14x1.5 mm
14	1341003	LEVEL PROBE \varnothing 1/8"M-108 mm
15	1755083	HEATING ELEMENT 1800W 220V
16	1186607	FLAT CARBO GASKET \varnothing 57.8x50x3 mm
16	1186609	PTFE FLAT GASKET \varnothing 58x51x2 mm
18	3060069	HEXAGONAL NUT M8 MEDIUM
19	1184009	STAINLESS STEEL M8x25 mm STUD
20	1439018	LEVEL CAP \varnothing 1/4"M
21	1186619	COPPER FLAT GASKET \varnothing 18x14x1.5 mm
25	1186214	COPPER FLAT GASKET \varnothing 26x21.5x1.5 mm
26	1319046	PUSH-BUTTON PANEL MEMBRANE 5 BUTTONS
29	1444509	THREE-PHASE THERMOSTAT 169°C
30	3319154	SWITCH 2-POLE BLACK 16A 250V
31	1185008	S/STEEL CUP SUPPORT GRID 274x123 mm
32	1015011	BLACK DRIP TRAY
35	1313016	FOOT \varnothing 60 mm M10 H=30÷40 mm

EXPERT-CM.COM.UA

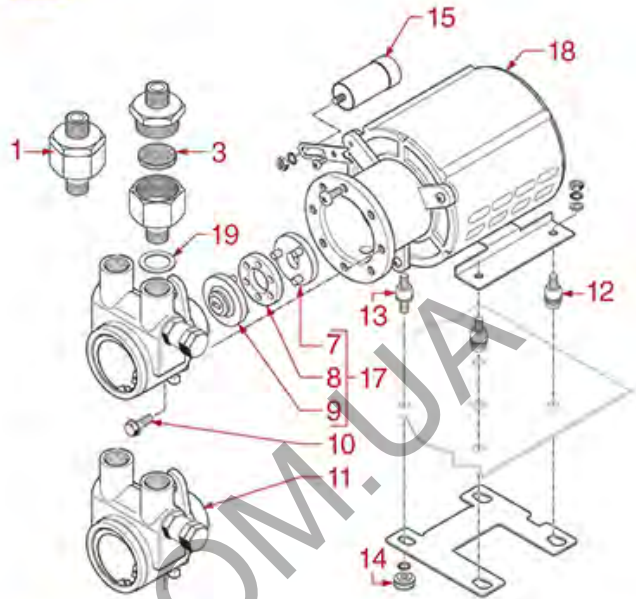


MOTORS AND PUMPS

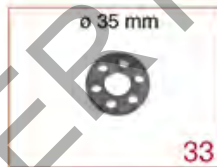
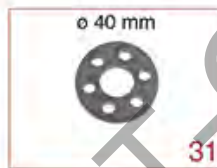
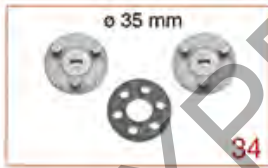
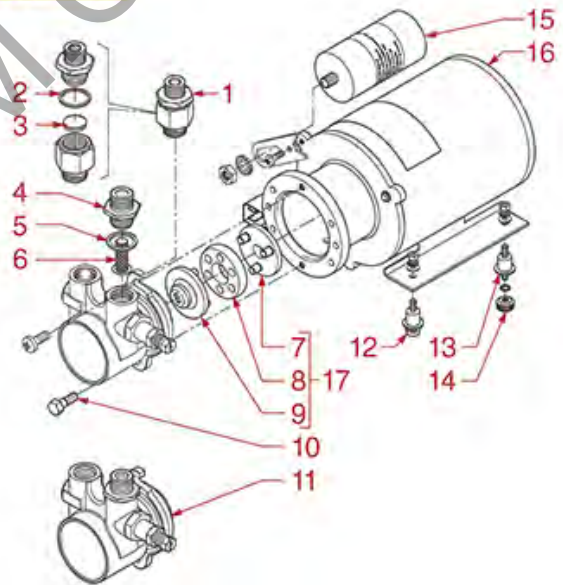
M20-M21-M27-M30-M31-M32



M39



M39GT-M24



5m	100
12x18	101
30m	101
12x18	102
5m	102
14x20	103
30m	103
14x20	104
5m	104
16x23	105
30m	105
16x23	106
5m	106
18x25	107
30m	107
18x25	108
5m	108
20x27	109
30m	109
20x27	109



3/4-PP	200
100 cm	200
3/4-PP	201
150 cm	201
3/4-PP	202
200 cm	202
3/8-PP	203
100 cm	203
3/8-PP	204
150 cm	204
3/8-PP	205
200 cm	205
3/8-CC	206
50 cm	206
3/8-CC	207
75 cm	207
3/8-CC	208
100 cm	208
3/8-CC	209
150 cm	209



3/8-CP	300
30 cm	300
3/8-CP	301
50 cm	301
3/8-CP	302
80 cm	302
3/8-CP	303
100 cm	303
3/8-CP	304
120 cm	304
3/8-CP	305
150 cm	305
3/8-CP	306
30 cm	306
1/8-PP	307
60 cm	307
3/8-CC	308
37 cm	308
1/8-CC	309
150 cm	309



3/4-PP	400
100 cm	400
3/4-PP	401
150 cm	401
3/4-PP	402
200 cm	402
3/4-PP	403
250 cm	403
3/8-PP	404
37 cm	404
3/8-PP	405
200 cm	405
3/8-CC	406
50 cm	406
3/8-CC	407
100 cm	407
3/8-CC	408
150 cm	408
	409



CIMBALI



Pos.	LF code no.	Description	Pos.	LF code no.	Description
1	1160700	COUPLING WITH FILTER \varnothing 3/8"M - 3/8"M	407	1449734	FLEX HOSE \varnothing 3/8" Fc x CFc 1000 mm
2	1186969	FLAT GASKET PTFE \varnothing 25x21x1,5 mm	408	1449736	FLEX HOSE \varnothing 3/8" Fc x CFc 1500 mm
3	1160068	WATER FILTER \varnothing 18 mm			
4	1349270	PUMP FITTING \varnothing 3/8"M-3/8"M			
5	1786222	FLAT GASKET EPDM \varnothing 22x18x1.5 mm			
8	1191002	RUBBER COUPLING \varnothing 41.5 mm			
11	1330018	ROTARY VANE PUMP CIMBALI/FAEMA \varnothing 3/8"			
11	1330031	ROTARY VANE PUMP ROTOFLOW \varnothing 3/8"			
11	1330033	ROTARY VANE PUMP PROCON \varnothing 3/8"			
11	1330200	ROTARY VANE PUMP NUERT \varnothing 3/8" GAS			
15	3068016	CAPACITOR μ F 10 450V 50/60Hz			
16	1240296	MOTOR SMA WITH FLANGE 150W			
17	1191003	COMPLETE METAL COUPLING			
19	1186186	ROUND COPPER GASKET \varnothing 23x17x3 mm			
20	1240181	RPM MOTOR WITH CLAMP 275W			
20	1240702	MOTOR RPM WITH CLAMP CONNECTION 165W			
23	1186974	FLAT PTFE GASKET \varnothing 8.5x4.5x1.5 mm			
24	1186945	FLAT GASKET PTFE \varnothing 14x10x1,5 mm			
25	1349100	PUMP CONNECTION \varnothing 3/8"CONIC-3/8" STRAIGH			
27	1168011	STAINLESS STEEL CLAMP FOR FLANGE PUMP			
28	1330016	ROTARY VANE PUMP PROCON \varnothing 3/8" NPT			
28	1330019	ROTARY VANE PUMP PROCON \varnothing 3/8" NPT			
30	1191001	COMPLETE METAL COUPLING			
31	1191002	RUBBER COUPLING \varnothing 41.5 mm			
32	1191003	COMPLETE METAL COUPLING			
33	1191005	RUBBER COUPLING \varnothing 35 mm			
34	1191004	COMPLETE METAL COUPLING			
50	1449104	DRAIN ELBOW 3/4"			
51	1449876	DRAIN PIPE \varnothing 3/4"F 1500 mm			
100	1449670	DRAIN PIPE ELISPIR \varnothing 12x18 mm - 5 m			
101	1449270	DRAIN PIPE ELISPIR \varnothing 12x18 mm - 30 m			
102	1449671	DRAIN PIPE ELISPIR \varnothing 14x20 mm - 5 m			
103	1449271	DRAIN PIPE ELISPIR \varnothing 14x20 mm - 30 m			
104	1449672	DRAIN PIPE ELISPIR \varnothing 16x23 mm - 5 m			
105	1449272	DRAIN PIPE ELISPIR \varnothing 16x23 mm - 30 m			
106	1449673	DRAIN PIPE ELISPIR \varnothing 18x25 mm - 5 m			
107	1449273	DRAIN PIPE ELISPIR \varnothing 18x25 mm - 30 m			
108	1449674	DRAIN PIPE ELISPIR \varnothing 20x27 mm - 5 m			
109	1449274	DRAIN PIPE ELISPIR \varnothing 20x27 mm - 30 m			
200	3449036	FLEX HOSE \varnothing 3/4" Fp x Fp 1000 mm			
201	3449032	FLEX HOSE \varnothing 3/4" Fp x Fp 1500 mm			
202	3449033	FLEX HOSE \varnothing 3/4" Fp x Fp 2000 mm			
203	1449724	FLEX HOSE \varnothing 3/8" Fp x Fp 1000 mm			
204	1449726	FLEX HOSE \varnothing 3/8" Fp x Fp 1500 mm			
205	1449089	FLEX HOSE \varnothing 3/8" Fp x Fp 2000 mm			
206	1449722	FLEX HOSE \varnothing 3/8" Fc x Fc 500 mm			
207	1449705	FLEX HOSE \varnothing 3/8" Fc x Fc 750 mm			
208	1449723	FLEX HOSE \varnothing 3/8" Fc x Fc 1000 mm			
209	1449725	FLEX HOSE \varnothing 3/8" Fc x Fc 1500 mm			
300	1449710	FLEX HOSE \varnothing 3/8" Fp x Fc 300 mm			
301	1449711	FLEX HOSE \varnothing 3/8" Fp x Fc 500 mm			
302	1449712	FLEX HOSE \varnothing 3/8" Fp x Fc 800 mm			
303	1449713	FLEX HOSE \varnothing 3/8" Fp x Fc 1000 mm			
304	1449714	FLEX HOSE \varnothing 3/8" Fp x Fc 1200 mm			
305	1449715	FLEX HOSE \varnothing 3/8" Fp x Fc 1500 mm			
306	1449708	FLEX HOSE \varnothing 1/8" Fp x Fp 300 mm			
307	1449709	FLEX HOSE \varnothing 1/8" Fp x Fp 600 mm			
308	1449706	FLEX HOSE \varnothing 1/8" Fc x Fc 370 mm			
309	1449707	FLEX HOSE \varnothing 1/8" Fc x Fc 1500 mm			
400	3449037	FLEX HOSE \varnothing 3/4" Fp x CFp 1000 mm			
401	3449034	FLEX HOSE \varnothing 3/4" Fp x CFp 1500 mm			
402	3449035	FLEX HOSE \varnothing 3/4" Fp x CFp 2000 mm			
403	3449038	FLEX HOSE \varnothing 3/4" Fp x CFp 2500 mm			
404	1449718	FLEX HOSE \varnothing 3/8" Fp x CFp 370 mm			
405	1449703	FLEX HOSE \varnothing 3/8" Fp x CFp 2000 mm			
406	1449732	FLEX HOSE \varnothing 3/8" Fc x CFc 500 mm			



PRESSURE-GAUGES





CIMBALI

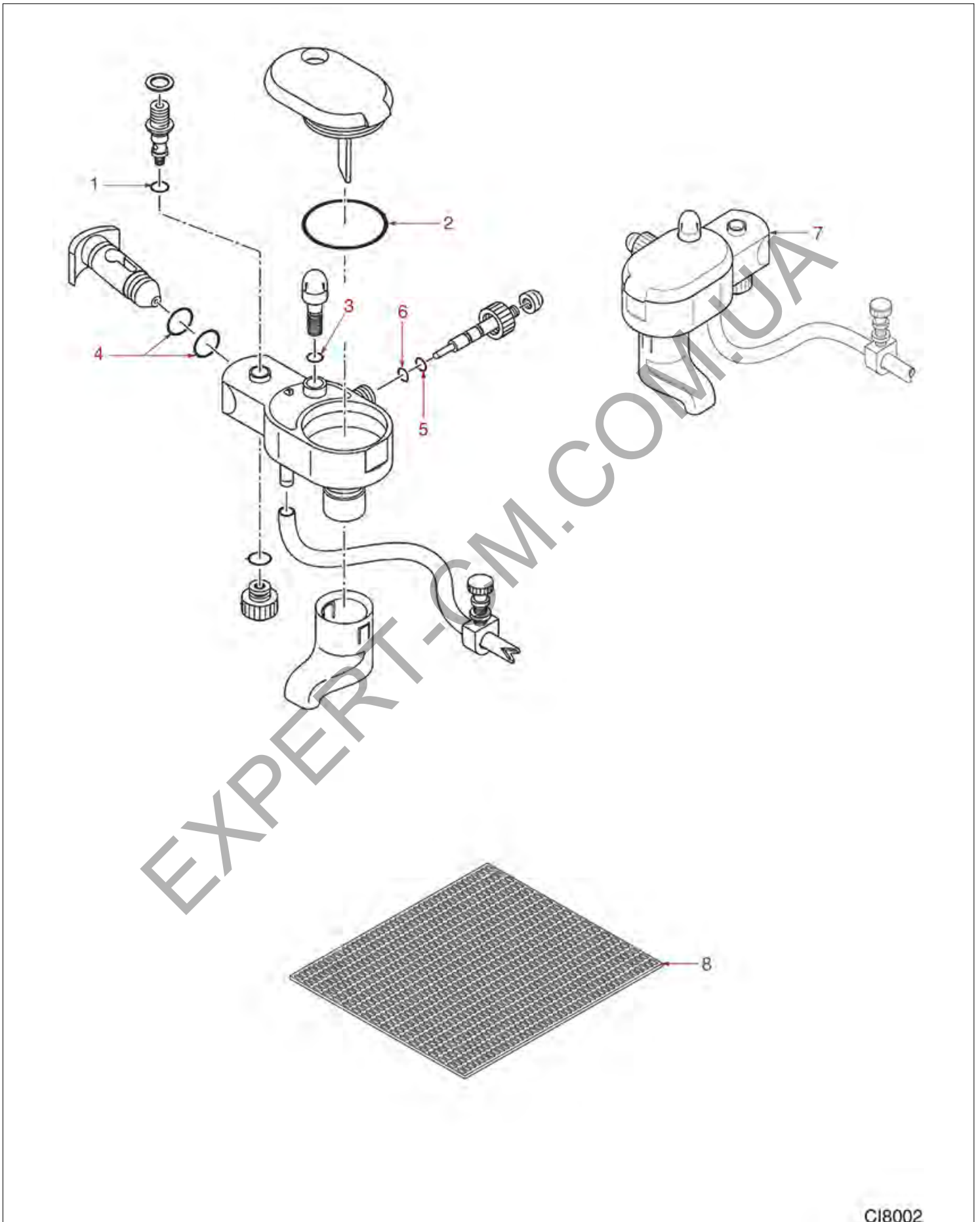


Position	LF code no.	Description
1	1245546	BOILER PRESSURE GAUGE ø 57 mm 0÷2.5 bar
2	1245545	PUMP PRESSURE GAUGE ø 57 mm 0÷15 bar
3	1245541	BOILER PRESSURE GAUGE ø 57 mm 0÷2.5 bar
4	1245542	BOILER PRESSURE GAUGE ø 57 mm 0÷2.5 bar
5	1245544	BOILER-PUMP PRESSURE GAUGE ø 63 mm
6	1245505	BOILER-PUMP PRESSURE GAUGE ø 60 mm
7	1245003	BOILER PRESSURE GAUGE ø 57 mm 0÷2.5 bar
8	1245004	PUMP PRESSURE GAUGE ø 57 mm 0÷16 bar
9	1245022	BOILER-PUMP PRESSURE GAUGE ø 63 mm
10	1245047	BOILER-PUMP PRESSURE GAUGE ø 62 mm
11	1245557	PUMP PRESSURE GAUGE ø 42 mm 0÷16 bar
12	1245556	BOILER PRESSURE GAUGE ø 42 mm 0÷2.5 bar
13	1245053	BOILER PRESSURE GAUGE ø 57 mm 0÷2.5 bar
14	1245054	BOILER PRESSURE GAUGE ø 57 mm 0÷2.5 bar

EXPERT-CM.COM.UA



CAPPUCCINATORE





CIMBALI



Position	LF code no.	Description
1	3243009	O-RING GASKET 0106 EPDM
2	3243191	O-RING 02125 EPDM
3	1186362	"O" RING 02021 EPDM
4	1186255	O-RING 0109 EPDM
5	1186014	O-RING 02015 EPDM
6	1186365	"O" RING 02012 EPDM
8	1185035	CUP WARMING GRID
8	1185711	CUP WARMING GRID

EXPERT-CM.COM.UA