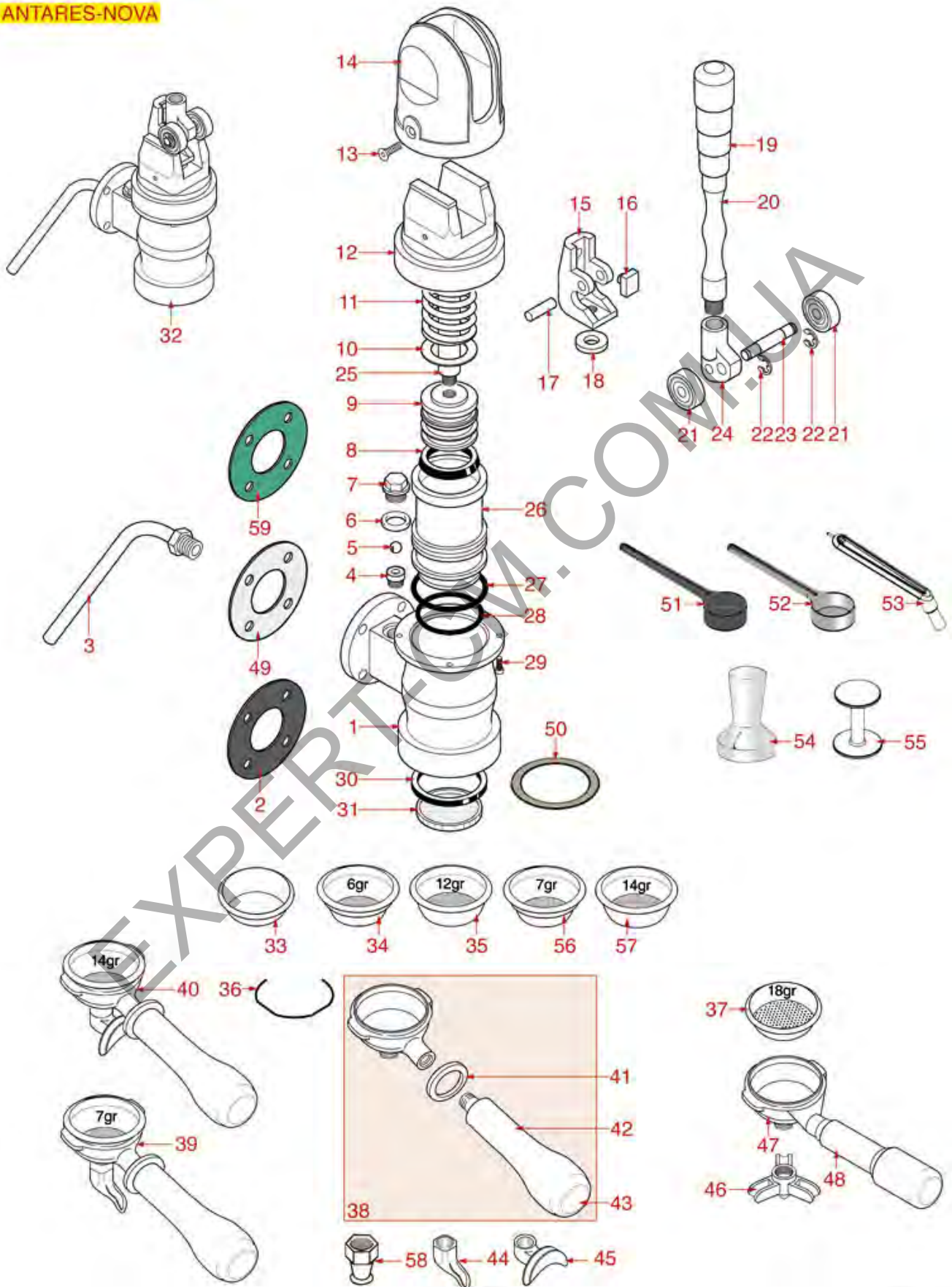




LEVER GROUP ALE

ANTARES-NOVA



WE0101



WEGA

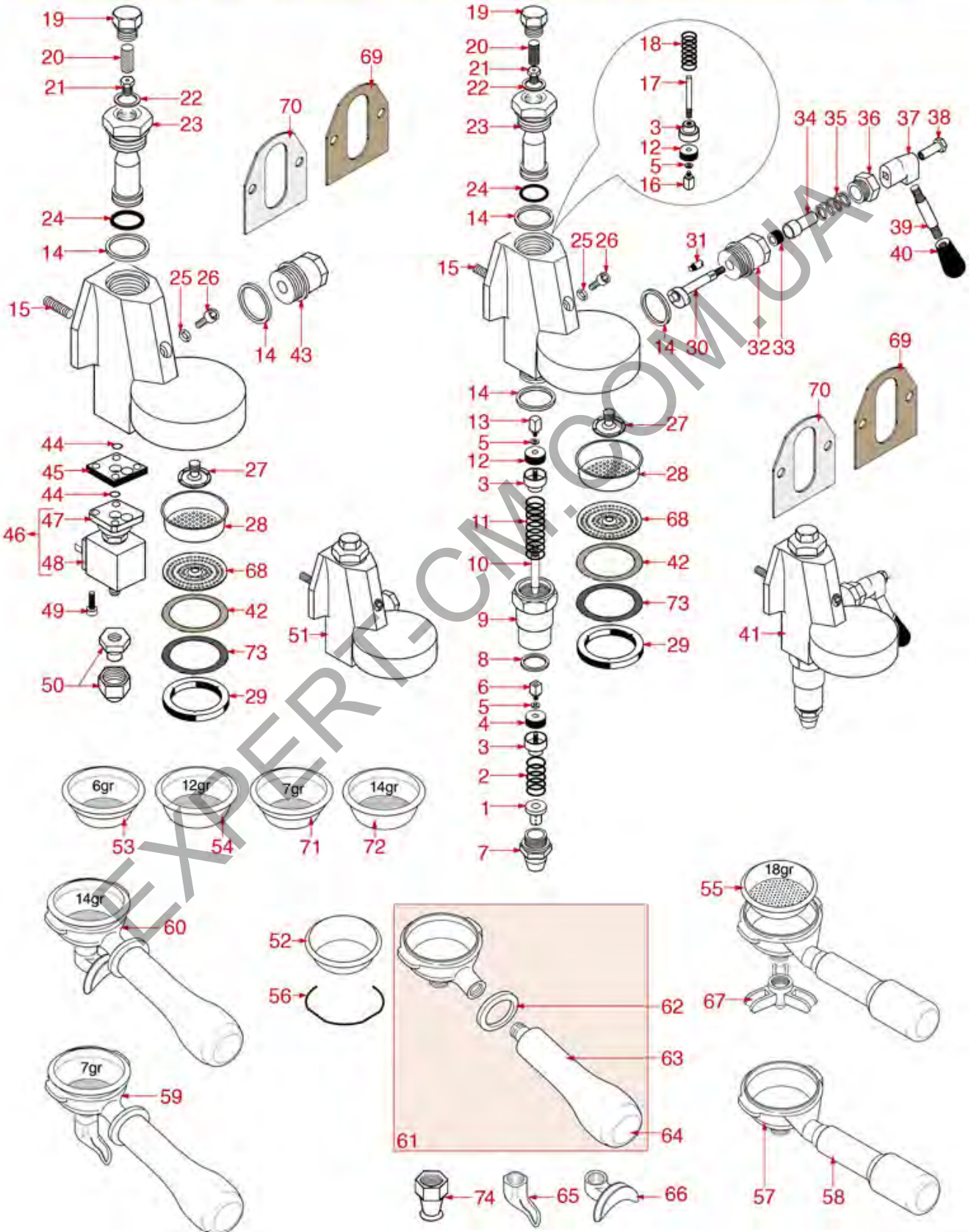


Position	LF code no.	Description
2	1186451	COFFEE GROUP GASKET ø 88x40x2 mm
3	1449200	DELIVERY GROUP INJECTOR PIPE
4	1523404	NON-RETURN VALVE
5	1323200	STAINLESS STEEL BALL ø 12 mm
6	1186140	GASKET ROUND COPPER ø 24x18.4x2.5 mm
7	1439200	CAP ø 18 mm FOR BREW GROUP
8	1186197	LIP SEAL ø 52x40x7 mm
11	1250501	LEVER GROUP SPRING
14	1192200	CAP FOR COFFEE GROUP
15	1192203	CHROMIUM-PLATED FORK FOR LEVER GROUP
16	1186196	RUBBER SHOCK ABSORBER
17	1324201	PIN FOR FORK
18	1186195	RUBBER SHOCK ABSORBER
19	1241200	LEVER GROUP HANDLE
20	1225001	COMPLETE LEVER GROUP HANDLE
21	1063200	BEARING 6300 DDU NSK
22	1348023	RADIAL SEEGER RING ø 9 mm
23	1324200	PIN FOR BEARING
24	1192202	CHROMIUM-PLATED FORK FOR LEVER GROUP
26	5500730	JACKET FOR LEVER ASSEMBLY
27	1186199	O-RING 0162 EPDM
28	1186198	O-RING 0161 EPDM
30	1186650	GASKET FILTER HOLDER ø 67x56x5.5 mm
30	1186656	FILTER HOLDER GASKET ø 67x56x6 mm
31	1081003	SHOWER SCREEN ø 57.5 mm
33	1160339	BLIND FILTER ø 70x17 mm
34	1160050	1 CUP FILTER 6 gr
35	1160529	FILTER 2-CUP 14 g
36	1250101	FILTER BLOCKING SPRING ø 1,00 mm INOX
37	1160345	2 CUPS FILTER 18 gr
38	1165081	FILTER HOLDER ASSY WEGA
38	2106200	FILTER HOLDER COFFEE MACHINES WEGA
39	1165082	FILTER HOLDER ASSEMBLY 1 CUP WEGA
40	1165083	FILTER HOLDER ASSEMBLY 2 CUPS WEGA
41	1186774	BURN PREVENTING RING FOR HANDLE
42	1241206	BLACK FILTER HOLDER HANDLE M12
43	1241469	CHROME PLATED CAP FOR FILTER HOLDER KNOB
44	1022501	SINGLE SPOUT ø 3/8"
45	1022506	SPOUT DOUBLE ø 3/8"
47	1165022	FILTER HOLDER COFFEE MACHINES
48	1241504	FILTER HOLDER HANDLE M12
49	1187002	COFFEE GROUP GASKET ø 88x40x2 mm
50	1190021	PAPER SEAL ø 66x58x0.8 mm
51	1069001	PLASTIC MEASURING SPOON 20 ml
52	1069002	STAINLESS STEEL MEASURING SPOON 20 ml
53	1384001	BRUSH FOR COFFEE SHOWER
54	1385053	ANODIZED ALUMINIUM TAMPER ø 58 mm
55	1385002	NYLON COFFEE TAMPER ø 50/57 mm
56	1160052	1 CUP FILTER 7 gr
57	1160053	2 CUPS FILTER 14 gr
58	1022503	STRAIGHT SINGLE SPOUT ø 3/8"
59	1786058	COFFEE GROUP GASKET ø 88x40x2 mm



GROUP EMA EPU EVD

AIRY-ANTARES-ATLAS-COLOSSEUM-COMBINOVA-ESPRESSA-EURO 2000-FORMULA MILANO JUNIOR-MININOVA-NOVA-NOVECENTO-ORION ECO-POLARIS-SPHERA-SYNTESIS-VELA





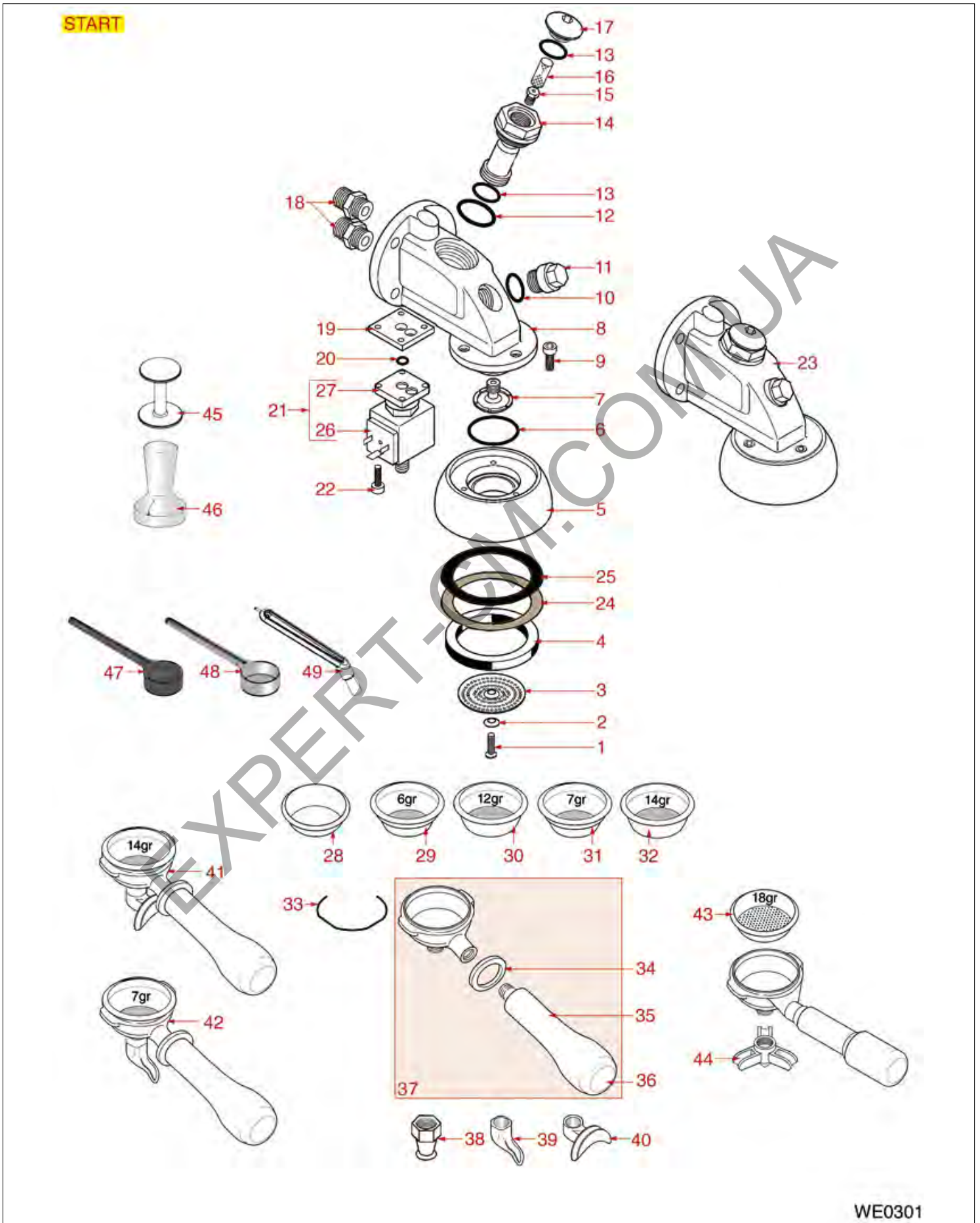
WEGA



Pos.	LF code no.	Description	Pos.	LF code no.	Description
1	1390501	DRAIN JET SWIRL	56	1250101	FILTER BLOCKING SPRING ø 1,00 mm INOX
2	1250515	SPRING ø 14x33 mm	57	1165022	FILTER HOLDER COFFEE MACHINES
3	1186309	GASKET HOLDER BUSHING	58	1241504	FILTER HOLDER HANDLE M12
4	1186311	NBR FLAT GASKET ø 13x4x4 mm	59	1165082	FILTER HOLDER ASSEMBLY 1 CUP WEGA
4	1186822	VITON FLAT GASKET ø 13x4x4 mm	60	1165083	FILTER HOLDER ASSEMBLY 2 CUPS WEGA
5	1186330	WASHER FLAT BRASS ø 6.8x3.2x0.5 mm	61	1165081	FILTER HOLDER ASSY WEGA
6	1324115	SQUARE PIN 5 mm HEIGHT 6 mm M6	61	2106200	FILTER HOLDER COFFEE MACHINES WEGA
7	1439006	DRAIN CHROMIUM-PLATED FITTING	62	1186774	BURN PREVENTING RING FOR HANDLE
8	1186117	PTFE FLAT GASKET ø 26x21x2 mm	63	1241206	BLACK FILTER HOLDER HANDLE M12
9	1027002	OUTLET CHROMIUM-PLATED SLEEVE	64	1241469	CHROME PLATED CAP FOR FILTER HOLDER KNOB
10	1324094	TRIANGULAR INFUSION PIN	65	1022501	SINGLE SPOUT ø 3/8"
11	1250537	SPRING ø 14x45 mm	66	1022506	SPOUT DOUBLE ø 3/8"
12	1186311	NBR FLAT GASKET ø 13x4x4 mm	68	1081006	SHOWER SCREEN ø 51.5 mm
12	1186822	VITON FLAT GASKET ø 13x4x4 mm	68	1081007	SHOWER SCREEN ø 51.5 mm
13	1324001	SQUARE PIN 11.1 mm 6x6 mm M3	69	1186384	COFFEE GROUP GASKET 80x70x2 mm
14	1186307	PTFE FLAT GASKET ø 36x30x2 mm	70	1186508	COFFEE GROUP GASKET 77x73x2 mm
15	1184009	STAINLESS STEEL M8x25 mm STUD	71	1160052	1 CUP FILTER 7 gr
16	1324033	SQUARE PIN 12.1 mm 6x6 mm M3	72	1160053	2 CUPS FILTER 14 gr
17	1324013	DELIVERY VALVE PIN	73	1190002	RUBBER SHIM ø 73x59x1 mm EPDM
18	1250536	SPRING ø 13x42 mm	74	1022503	STRAIGHT SINGLE SPOUT ø 3/8"
19	1439001	CAP ø 16 mm FOR BREW GROUP			
20	1160517	WATER FILTER ø 8.5x22 mm			
21	1501005	NOZZLE M6x1 HOLE ø 0,7 mm			
22	1186326	PTFE FLAT GASKET ø 22x16x2 mm			
23	1027016	UPPER CHROMIUM-PLATED SLEEVE			
24	1186766	O-RING 04075 VITON			
25	1186768	ROUND COPPER GASKET ø 10x6.4x2 mm			
26	1184804	CYLINDER HEAD SCREW M6x8			
27	1501007	BREW GROUP SPRAY NOZZLE ø 30 mm M10x1			
27	1501561	GROUP SPRAY NOZZLE ø 30 mm M10x1			
28	1081016	SHOWER SCREEN ø 60 mm			
28	1081116	SHOWER SCREEN ø 60 mm			
28	1081516	SHOWER ø 60 mm			
29	1186891	FILTER HOLDER GASKET ø 73x57x8 mm			
29	1186892	FILTER HOLDER GASKET ø 73x57x8.5 mm			
29	1186893	FILTER HOLDER GASKET ø 73x57x9 mm			
29	1186894	FILTER HOLDER GASKET ø 73x57x8 mm			
29	1186895	FILTER HOLDER GASKET ø 73x57x8.5 mm			
29	5049383	GASKET FILTER HOLDER ø 73x57x8 mm			
30	1324048	CAM ROD FOR COFFEE GROUP			
32	1349022	CAMS CHROMIUM-PLATED FITTING			
33	1186312	EPDM FLAT GASKET ø 15.5x7.5x4 mm			
34	1186313	CAM GUIDE BUSHING			
35	1250516	SPRING ø 15x28 mm			
36	1439533	STUFFING GLAND CHROME-PLATED FITTING			
37	1191023	CHROMIUM-PLATED CAM			
39	1324025	UNIT OPERATING ROD			
40	1241401	KNOB M8x1			
42	1190001	PAPER SHIM ø 73x59x0.8 mm			
43	1439011	CHROMIUM-PLATED SIDE CAP			
44	1186611	O-RING 02025 RED SILICONE			
44	1186612	O-RING 02025 VITON			
45	1186415	FLAT PTFE GASKET			
46	1120101	3-WAY SOLENOID VALVE PARKER 115V 50/60Hz			
46	1120102	3-WAY SOLENOID VALVE LUCIFER 115V 60Hz			
46	1120330	3-WAY SOLENOID VALVE LUCIFER 240V 50Hz			
46	1120335	3-WAY SOLENOID VALVE PARKER 230V 50/60Hz			
47	1120334	3-WAY MECHANICAL COMPONENT LUCIFER			
47	1120339	3-WAY MECHANICAL COMPONENT PARKER			
48	1120332	COIL LUCIFER/PARKER 220/240V 9W 50Hz			
48	3120032	COIL PARKER ZB09 9W 220/240V 50/60Hz			
49	1455034	CYLINDER HEAD SCREW M4x10			
52	1160339	BLIND FILTER ø 70x17 mm			
53	1160050	1 CUP FILTER 6 gr			
54	1160529	FILTER 2-CUP 14 g			
55	1160345	2 CUPS FILTER 18 gr			



START GROUP





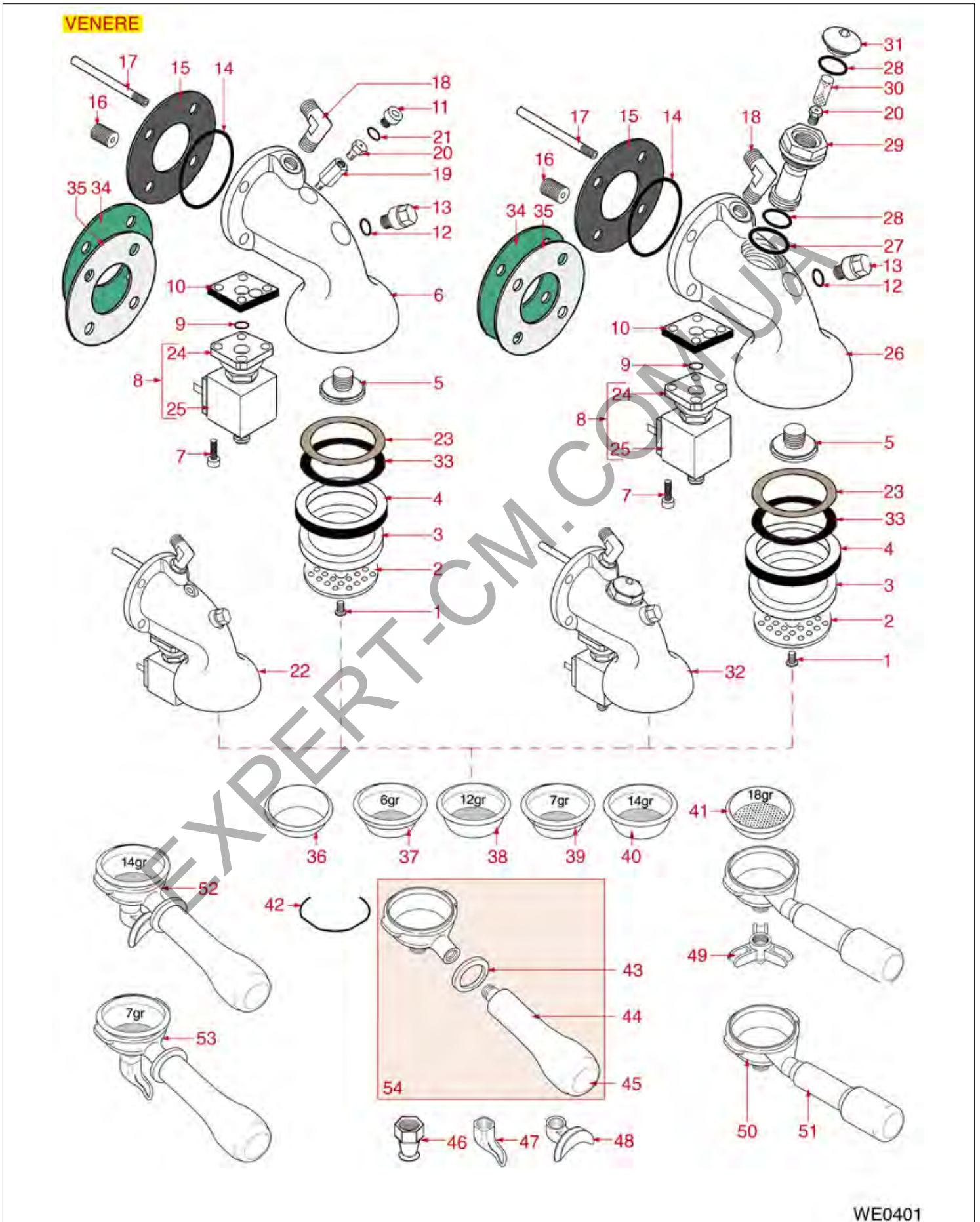
WEGA



Position	LF code no.	Description
1	1528011	SHOWER SCREW M5x20
2	1528054	SHAPED S/STEEL WASHER \varnothing 12x5x1 mm
3	1081006	SHOWER SCREEN \varnothing 51.5 mm
3	1081007	SHOWER SCREEN \varnothing 51.5 mm
4	1186891	FILTER HOLDER GASKET \varnothing 73x57x8 mm
4	1186892	FILTER HOLDER GASKET \varnothing 73x57x8.5 mm
4	1186893	FILTER HOLDER GASKET \varnothing 73x57x9 mm
4	1186894	FILTER HOLDER GASKET \varnothing 73x57x8 mm
4	1186895	FILTER HOLDER GASKET \varnothing 73x57x8.5 mm
4	5049383	GASKET FILTER HOLDER \varnothing 73x57x8 mm
6	1186767	O-RING 03137 VITON
7	1501007	BREW GROUP SPRAY NOZZLE \varnothing 30 mm M10x1
9	1184012	CYLINDER HEAD SCREW M5x10
10	1186414	O-RING 0119 EPDM
11	1439032	CAP \varnothing 18 mm FOR BREW GROUP
12	1186772	O-RING GASKET M 0250-40 NBR
13	3186287	O-RING 0123 EPDM
14	1027003	UPPER CHROMIUM-PLATED SLEEVE
16	1160517	WATER FILTER \varnothing 8.5x22 mm
17	1439035	CAP \varnothing 18 mm FOR BREW GROUP
18	1349103	FITTING \varnothing 3/8" M-3/8" M
19	1186415	FLAT PTFE GASKET
20	1186612	O-RING 02025 VITON
21	1120101	3-WAY SOLENOID VALVE PARKER 115V 50/60Hz
21	1120102	3-WAY SOLENOID VALVE LUCIFER 115V 60Hz
21	1120330	3-WAY SOLENOID VALVE LUCIFER 240V 50Hz
21	1120335	3-WAY SOLENOID VALVE PARKER 230V 50/60Hz
22	1455034	CYLINDER HEAD SCREW M4x10
24	1190001	PAPER SHIM \varnothing 73x59x0.8 mm
25	1190002	RUBBER SHIM \varnothing 73x59x1 mm EPDM
26	1120332	COIL LUCIFER/PARKER 220/240V 9W 50Hz
26	3120032	COIL PARKER ZB09 9W 220/240V 50/60Hz
27	1120334	3-WAY MECHANICAL COMPONENT LUCIFER
27	1120339	3-WAY MECHANICAL COMPONENT PARKER
28	1160339	BLIND FILTER \varnothing 70x17 mm
29	1160050	1 CUP FILTER 6 gr
30	1160529	FILTER 2-CUP 14 g
31	1160052	1 CUP FILTER 7 gr
32	1160053	2 CUPS FILTER 14 gr
33	1250101	FILTER BLOCKING SPRING \varnothing 1,00 mm INOX
34	1186774	BURN PREVENTING RING FOR HANDLE
35	1241206	BLACK FILTER HOLDER HANDLE M12
36	1241469	CHROME PLATED CAP FOR FILTER HOLDER KNOB
37	1165081	FILTER HOLDER ASSY WEGA
37	2106200	FILTER HOLDER COFFEE MACHINES WEGA
38	1022503	STRAIGHT SINGLE SPOUT \varnothing 3/8"
39	1022501	SINGLE SPOUT \varnothing 3/8"
40	1022506	SPOUT DOUBLE \varnothing 3/8"
41	1165083	FILTER HOLDER ASSEMBLY 2 CUPS WEGA
42	1165082	FILTER HOLDER ASSEMBLY 1 CUP WEGA
43	1160345	2 CUPS FILTER 18 gr
45	1385002	NYLON COFFEE TAMPER \varnothing 50/57 mm
46	1385053	ANODIZED ALUMINIUM TAMPER \varnothing 58 mm
47	1069001	PLASTIC MEASURING SPOON 20 ml
48	1069002	STAINLESS STEEL MEASURING SPOON 20 ml
49	1384001	BRUSH FOR COFFEE SHOWER



GROUP VENERE



Positions without LF code no.: upon request



WEGA

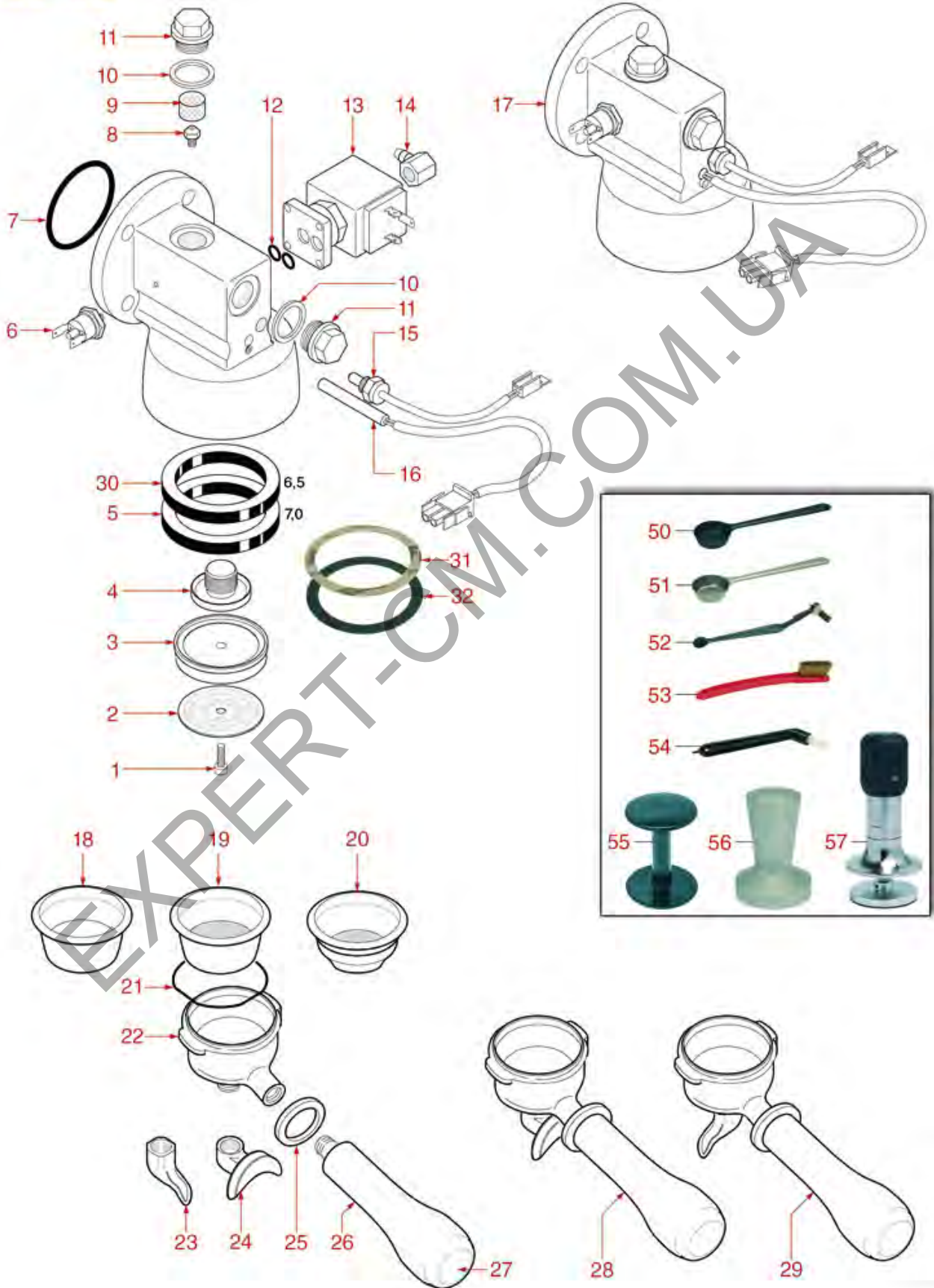


Position	LF code no.	Description
1	1528011	SHOWER SCREW M5x20
2	1081006	SHOWER SCREEN \varnothing 51.5 mm
2	1081007	SHOWER SCREEN \varnothing 51.5 mm
3	1086501	SHOWER HOLDER DIFFUSER
4	1186622	GASKET FILTER HOLDER \varnothing 72x56x8 mm
4	1186678	GASKET FILTER HOLDER \varnothing 72x56x8.5 mm
4	1486029	GASKET FILTERHOLDER \varnothing 72x56x8.5 mm
4	1486030	GASKET FILTERHOLDER \varnothing 72x56x8 mm
4	1786062	GASKET FILTER HOLDER \varnothing 72x56x8 mm
5	1501300	BREW GROUP SPRAY NOZZLE \varnothing 31.5 mm M18x2
7	1455034	CYLINDER HEAD SCREW M4x10
8	1120101	3-WAY SOLENOID VALVE PARKER 115V 50/60Hz
8	1120102	3-WAY SOLENOID VALVE LUCIFER 115V 60Hz
8	1120330	3-WAY SOLENOID VALVE LUCIFER 240V 50Hz
8	1120335	3-WAY SOLENOID VALVE PARKER 230V 50/60Hz
9	1186612	O-RING 02025 VITON
10	1186415	FLAT PTFE GASKET
11	1439033	CAP \varnothing 14 mm FOR BREW GROUP
12	1186414	O-RING 0119 EPDM
13	1439032	CAP \varnothing 18 mm FOR BREW GROUP
14	1186190	O-RING 04187 VITON
15	1186451	COFFEE GROUP GASKET \varnothing 88x40x2 mm
18	1349085	ELBOW FITTING \varnothing 1/4"M-1/4"M
20	1500300	NOZZLE M5x1 HOLE \varnothing 0.7 mm
21	1186223	O-RING 02056 EPDM
23	1190051	PAPER SEAL \varnothing 70x57x0.8 mm
24	1120334	3-WAY MECHANICAL COMPONENT LUCIFER
24	1120339	3-WAY MECHANICAL COMPONENT PARKER
25	1120332	COIL LUCIFER/PARKER 220/240V 9W 50Hz
25	3120032	COIL PARKER ZB09 9W 220/240V 50/60Hz
27	1186772	O-RING GASKET M 0250-40 NBR
28	3186287	O-RING 0123 EPDM
29	1027003	UPPER CHROMIUM-PLATED SLEEVE
30	1160517	WATER FILTER \varnothing 8.5x22 mm
31	1439035	CAP \varnothing 18 mm FOR BREW GROUP
33	1190003	RUBBER SHIM \varnothing 70x57x1 mm EPDM
34	1187002	COFFEE GROUP GASKET \varnothing 88x40x2 mm
35	1786058	COFFEE GROUP GASKET \varnothing 88x40x2 mm
36	1160339	BLIND FILTER \varnothing 70x17 mm
37	1160050	1 CUP FILTER 6 gr
38	1160529	FILTER 2-CUP 14 g
39	1160052	1 CUP FILTER 7 gr
40	1160053	2 CUPS FILTER 14 gr
41	1160345	2 CUPS FILTER 18 gr
42	1250101	FILTER BLOCKING SPRING \varnothing 1,00 mm INOX
43	1186774	BURN PREVENTING RING FOR HANDLE
44	1241206	BLACK FILTER HOLDER HANDLE M12
45	1241469	CHROME PLATED CAP FOR FILTER HOLDER KNOB
46	1022503	STRAIGHT SINGLE SPOUT \varnothing 3/8"
47	1022501	SINGLE SPOUT \varnothing 3/8"
48	1022506	SPOUT DOUBLE \varnothing 3/8"
49	1022551	TRIPLE SPOUT \varnothing 3/8"
50	1165022	FILTER HOLDER COFFEE MACHINES
51	1241504	FILTER HOLDER HANDLE M12
52	1165083	FILTER HOLDER ASSEMBLY 2 CUPS WEGA
53	1165082	FILTER HOLDER ASSEMBLY 1 CUP WEGA
54	1165081	FILTER HOLDER ASSY WEGA
54	2106200	FILTER HOLDER COFFEE MACHINES WEGA



BREWING GROUP 52 CONCEPT

CONCEPT (52)



WE0501

Positions without LF code no.: upon request



WEGA



Position	LF code no.	Description
2	1081041	SHOWER SCREEN \varnothing 48 mm
3	1086046	SHOWER HOLDER SPRAYER
3	1086047	LOWERED SHOWER HOLDER SPRAYER
4	1501300	BREW GROUP SPRAY NOZZLE \varnothing 31.5 mm M18x2
5	5047859	FILTER HOLDER GASKET \varnothing 64x52x7 mm
6	1444206	CONTACT THERMOSTAT 145°C M4
7	1186190	O-RING 04187 VITON
9	1160501	WATER FILTER \varnothing 14x10x12 mm
10	1186323	PTFE FLAT GASKET \varnothing 24x18x2 mm
11	1439003	CAP \varnothing 18 mm FOR BREW GROUP
12	1186612	O-RING 02025 VITON
13	1120102	3-WAY SOLENOID VALVE LUCIFER 115V 60Hz
13	1120330	3-WAY SOLENOID VALVE LUCIFER 240V 50Hz
14	1349267	HOSE-END FITTING \varnothing 1/8" F - \varnothing 7 mm
15	1397053	TEMPERATURE PROBE NTC
16	1755256	CARTRIDGE HEATING ELEMENT 150W 230V
18	1160278	BLIND FILTER
19	1160277	FILTER 2-CUP 14 g
20	1160276	1 CUP FILTER 7 gr
21	1250279	SPRING FILTER LOCKING \varnothing 1.40 mm STAIN.ST
22	1165114	FILTER HOLDER f/COFFEE MACH.ASTORIA/WEGA
23	1022501	SINGLE SPOUT \varnothing 3/8"
24	1022506	SPOUT DOUBLE \varnothing 3/8"
25	1186774	BURN PREVENTING RING FOR HANDLE
26	1241206	BLACK FILTER HOLDER HANDLE M12
27	1241469	CHROME PLATED CAP FOR FILTER HOLDER KNOB
28	1165079	2-CUP FILTER HOLDER ASSEMBLY ASTORIA
28	1165115	FILTER HOLDER 2 CUPS ASTORIA
29	1165076	1 CUP FILTER HOLDER ASSEMBLY ASTORIA
29	1165116	COMPLETE FILTER HOLDER 1 CUP ASTORIA
30	1786056	FILTER HOLDER GASKET \varnothing 64x52x6.3 mm
31	1190101	PAPER SEAL \varnothing 64x53x0.7 mm
32	1190007	RUBBER PIECE \varnothing 64x53x1 mm EPDM
50	1069001	PLASTIC MEASURING SPOON 20 ml
51	1069002	STAINLESS STEEL MEASURING SPOON 20 ml
52	1384003	BLACK SHOWER CLEANING BRUSH
53	1384002	BRUSH FOR MAINTENANCE
54	1384001	BRUSH FOR COFFEE SHOWER
55	1385000	NYLON TAMPER \varnothing 50/52 mm
56	1385040	POLISHED ALUMINIUM TAMPER \varnothing 53 mm
56	1385054	ANODIZED ALUMINIUM TAMPER \varnothing 53 mm
57	1385601	DYNAMOMETRIC MANUAL TAMPER \varnothing 52 mm



BREWING GROUP 56 CONCEPT

CONCEPT (56)



WE0601

Positions without LF code no.: upon request



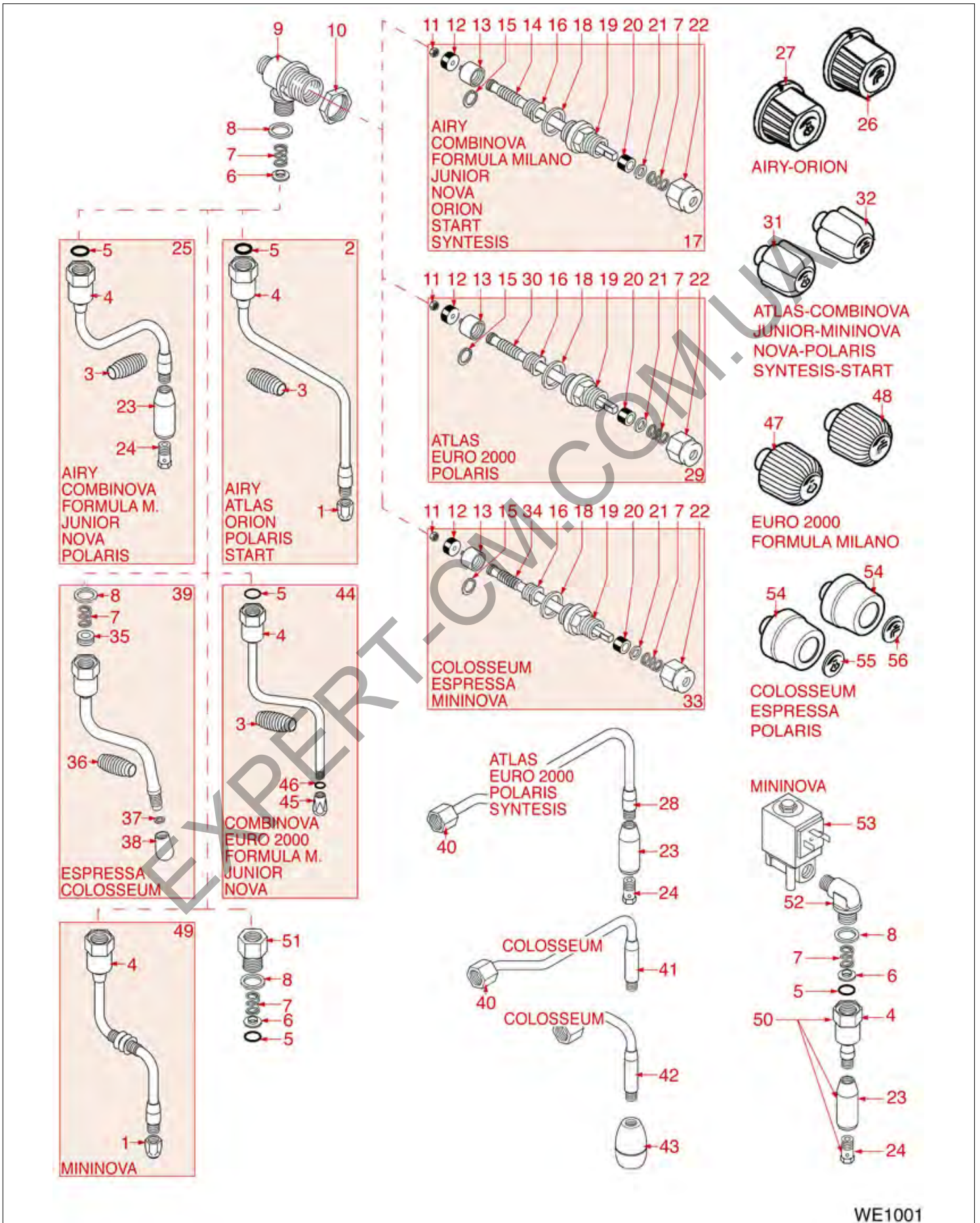
WEGA



Position	LF code no.	Description
1	1528011	SHOWER SCREW M5x20
2	1081006	SHOWER SCREEN \varnothing 51.5 mm
2	1081007	SHOWER SCREEN \varnothing 51.5 mm
3	1086501	SHOWER HOLDER DIFFUSER
4	1501300	BREW GROUP SPRAY NOZZLE \varnothing 31.5 mm M18x2
5	1486030	GASKET FILTERHOLDER \varnothing 72x56x8 mm
5	1786062	GASKET FILTER HOLDER \varnothing 72x56x8 mm
6	1444206	CONTACT THERMOSTAT 145°C M4
7	1186190	O-RING 04187 VITON
9	1160501	WATER FILTER \varnothing 14x10x12 mm
10	1186323	PTFE FLAT GASKET \varnothing 24x18x2 mm
11	1439003	CAP \varnothing 18 mm FOR BREW GROUP
12	1186612	O-RING 02025 VITON
13	1120102	3-WAY SOLENOID VALVE LUCIFER 115V 60Hz
13	1120330	3-WAY SOLENOID VALVE LUCIFER 240V 50Hz
14	1349267	HOSE-END FITTING \varnothing 1/8" F - \varnothing 7 mm
15	1397052	TEMPERATURE PROBE NTC
16	1755256	CARTRIDGE HEATING ELEMENT 150W 230V
18	1160339	BLIND FILTER \varnothing 70x17 mm
19	1160529	FILTER 2-CUP 14 g
20	1160050	1 CUP FILTER 6 gr
21	1250101	FILTER BLOCKING SPRING \varnothing 1,00 mm INOX
23	1022501	SINGLE SPOUT \varnothing 3/8"
24	1022506	SPOUT DOUBLE \varnothing 3/8"
25	1186774	BURN PREVENTING RING FOR HANDLE
26	1241206	BLACK FILTER HOLDER HANDLE M12
27	1241469	CHROME PLATED CAP FOR FILTER HOLDER KNOB
30	1186678	GASKET FILTER HOLDER \varnothing 72x56x8.5 mm
30	1486029	GASKET FILTERHOLDER \varnothing 72x56x8.5 mm
31	1190001	PAPER SHIM \varnothing 73x59x0.8 mm
32	1190002	RUBBER SHIM \varnothing 73x59x1 mm EPDM
50	1069001	PLASTIC MEASURING SPOON 20 ml
51	1069002	STAINLESS STEEL MEASURING SPOON 20 ml
52	1384003	BLACK SHOWER CLEANING BRUSH
53	1384002	BRUSH FOR MAINTENANCE
54	1384001	BRUSH FOR COFFEE SHOWER
55	1385002	NYLON COFFEE TAMPER \varnothing 50/57 mm
56	1385041	POLISHED ALUMINIUM TAMPER \varnothing 57 mm
56	1385053	ANODIZED ALUMINIUM TAMPER \varnothing 58 mm
57	1385600	DYNAMOMETRIC MANUAL COFFEE TAMPER \varnothing 57mm



WATER/STEAM TAPS STANDARD





WEGA

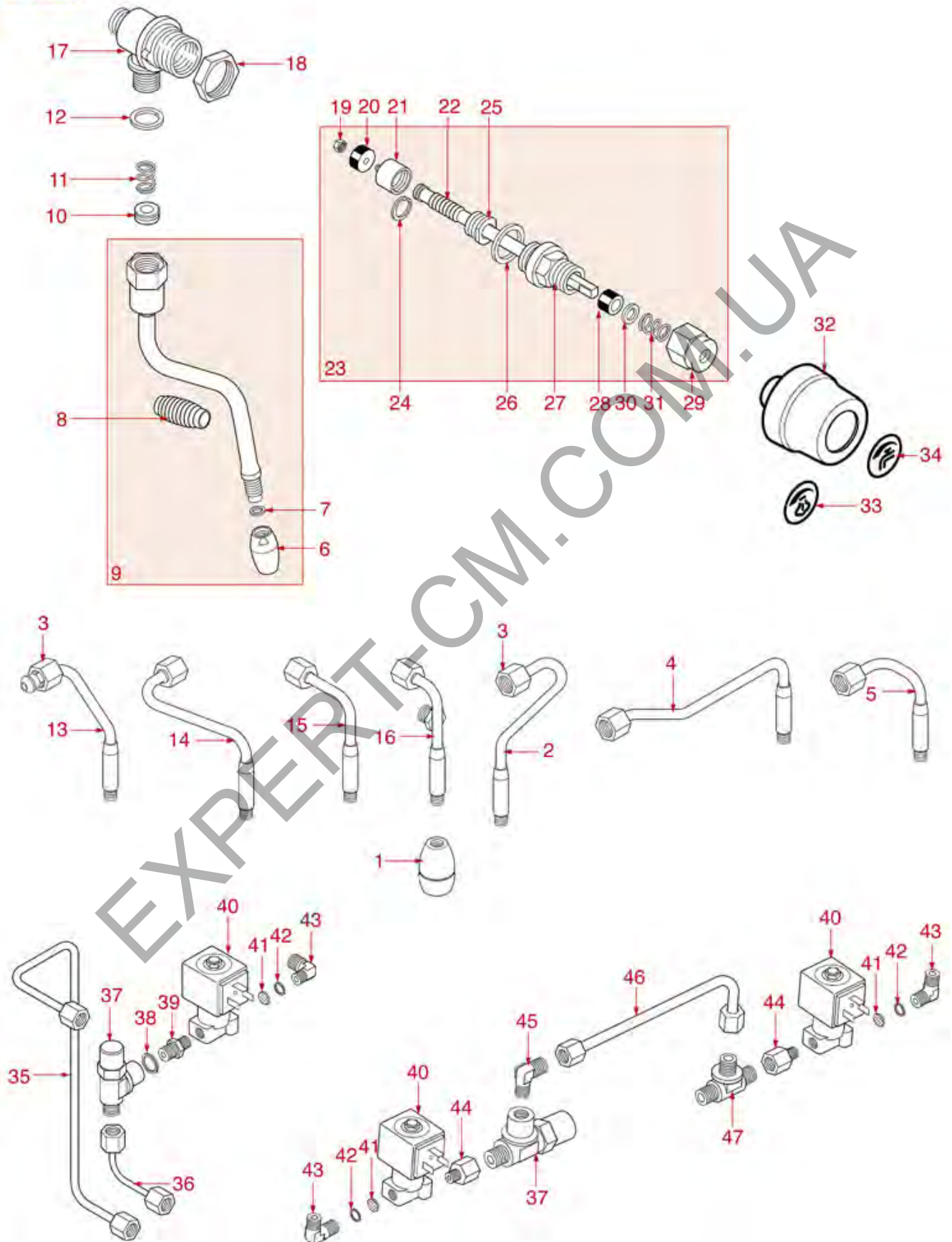


Position	LF code no.	Description
1	1449093	NOZZLE FWATER OUTLET M10 /CHROME-PLATED
2	1449091	CHROME PIPE STEM COMPLETE ø 8 mm
4	1449100	CHROME HEXAGONAL NUT
5	1186318	O-RING 03043 EPDM
6	1186334	WASHER
7	1250372	SPRING ø 11,4x16 mm
8	1186201	GASKET FLAT PTFE ø 21x16.8x2 mm
9	1348451	STEAM TAP BODY
10	1348453	NUT M 26x1.5
11	1348025	HEXAGONAL NUT M3
12	1186316	EPDM FLAT GASKET ø 15x4x4 mm 60 SH
12	1186527	FLAT EPDM GASKET ø 15x4x4 mm 80 SH
13	1324056	TAP PISTON
14	1324077	WATER/STEAM TAP PIN
15	1250223	RADIAL SEEGER RING ø 6 mm
16	1186377	GASKET HOLDER
17	1348452	WATER/STEAM TAP PIN ROD
18	1186333	COPPER FLAT GASKET ø 26x20x2 mm
18	1186340	ASBESTOS FREE FLAT GASKET ø 26x20x2 mm
19	1349458	TAP COUPLING
20	1186393	FLAT EPDM GASKET ø 12.5x8x9 mm
20	1786263	FLAT GASKET EPDM ø 12.5x8x9 mm
21	1186376	BRASS WASHER ø 12x8x1 mm FLAT
22	1348458	TAP NUT
23	1449116	NOZZLE FOR WATER PIPE M9 ø 18 mm
24	1449099	NOZZLE FOR WATER M10
25	1449090	CHROME COMPLETE WATER PIPE ø 8 mm
26	1241453	WATER TAP KNOB
27	1241451	STEAM TAP KNOB
29	1348076	WATER/STEAM TAP PIN ROD
31	1241089	STEAM TAP KNOB
32	1241090	WATER TAP KNOB
33	1348077	WATER/STEAM TAP PIN ROD
35	1186378	CONICAL PTFE SEAL ø 14x7x6 mm
35	1186626	O-RING 0114 EPDM
36	1186180	BURN PREVENTING RUBBERPIECE ø 10 mm
43	1449097	NOZZLE FOR WATER M10 /STAINL.STEEL
45	1449096	NOZZLE FOR STEAM OUTLET M8 /STAIN. STEEL
46	1186550	O-RING M 0060-10 RED SILICONE
47	1241466	STEAM TAP KNOB
48	1241467	WATER TAP KNOB
50	1449206	COMPLETE WATER PIPE
51	1349135	FITTING ø 3/8"M-3/8"F
54	1241091	WATER/STEAM TAP KNOB
55	1241093	STEAM SILK SCREEN PRINT. F. HANDLE
56	1241092	WATER SILK SCREEN PRINTING F. HANDLE



WATER/STEAM TAPS SPHERA

SPHERA





WEGA

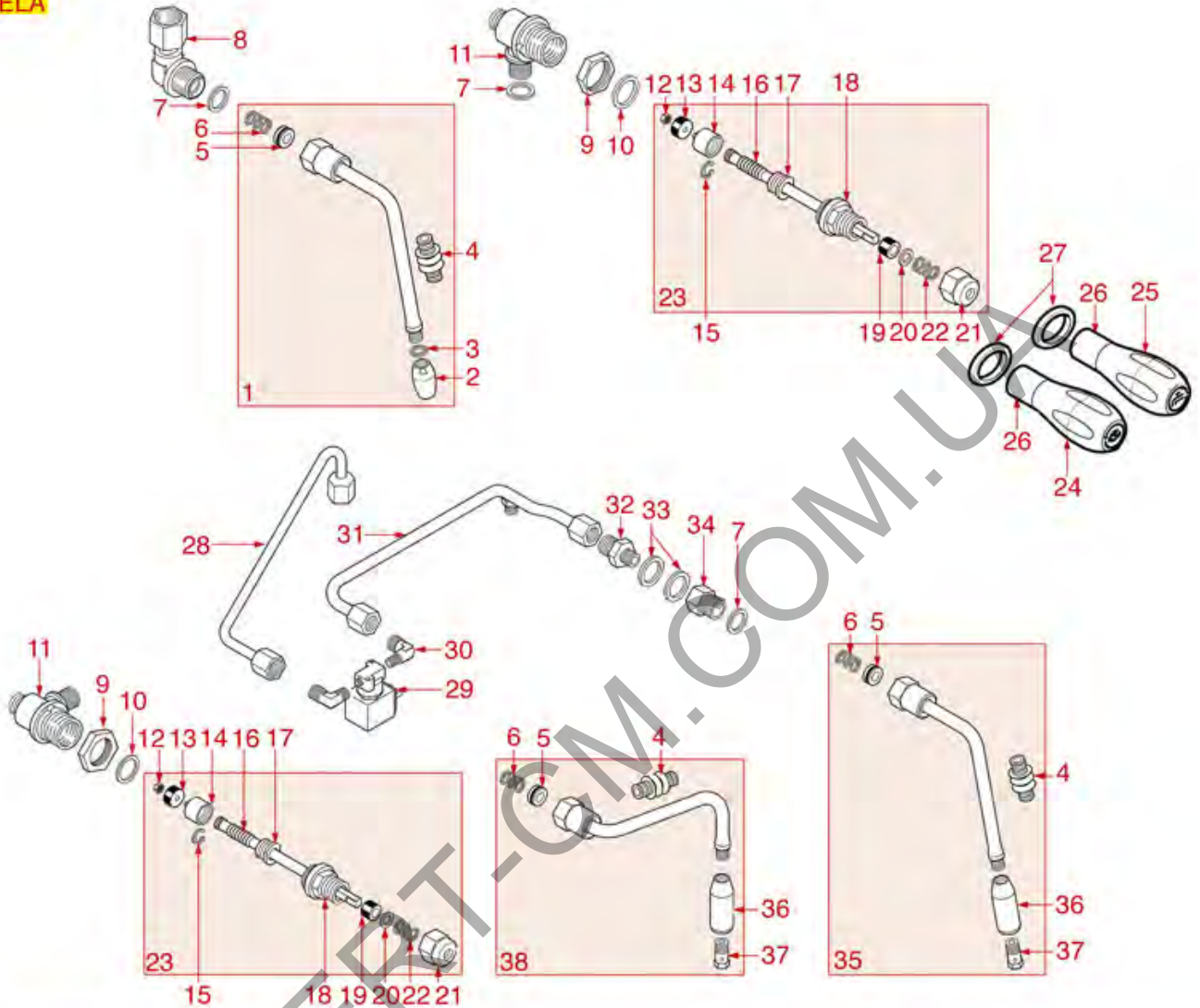


Position	LF code no.	Description
1	1449097	NOZZLE FOR WATER M10 /STAINL.STEEL
8	1186180	BURN PREVENTING RUBBERPIECE \varnothing 10 mm
9	1449103	STAINLESS STEEL STEAM PIPE COMPL. \varnothing 10mm
10	1186378	CONICAL PTFE SEAL \varnothing 14x7x6 mm
10	1186626	O-RING 0114 EPDM
11	1250001	SPRING \varnothing 11.4x18 mm FOR STEAM PIPE
12	1186201	GASKET FLAT PTFE \varnothing 21x16.8x2 mm
17	1348451	STEAM TAP BODY
18	1348453	NUT M 26x1.5
19	1348025	HEXAGONAL NUT M3
20	1186316	EPDM FLAT GASKET \varnothing 15x4x4 mm 60 SH
20	1186527	FLAT EPDM GASKET \varnothing 15x4x4 mm 80 SH
21	1324056	TAP PISTON
23	1348077	WATER/STEAM TAP PIN ROD
24	1250223	RADIAL SEEGER RING \varnothing 6 mm
25	1186377	GASKET HOLDER
26	1186333	COPPER FLAT GASKET \varnothing 26x20x2 mm
26	1186340	ASBESTOS FREE FLAT GASKET \varnothing 26x20x2 mm
27	1349458	TAP COUPLING
28	1186393	FLAT EPDM GASKET \varnothing 12.5x8x9 mm
28	1786263	FLAT GASKET EPDM \varnothing 12.5x8x9 mm
29	1348458	TAP NUT
30	1186376	BRASS WASHER \varnothing 12x8x1 mm FLAT
31	1250372	SPRING \varnothing 11,4x16 mm
32	1241091	WATER/STEAM TAP KNOB
33	1241093	STEAM SILK SCREEN PRINT. F. HANDLE
34	1241092	WATER SILK SCREEN PRINTING F. HANDLE
37	1349083	MIXER FITTING
38	1186619	COPPER FLAT GASKET \varnothing 18x14x1.5 mm
39	1349111	FITTING \varnothing 1/8"M 1/4"M
40	1120355	2-WAY SOLENOID VALVE PARKER 230V 50/60Hz
41	1160566	STAINLESS STEEL WATER FILTER \varnothing 8 mm
42	1186771	COPPER FLAT GASKET \varnothing 8,5x5x1 mm
43	1349079	L- FITTING \varnothing 1/4"M 1/8"M
44	1349111	FITTING \varnothing 1/8"M 1/4"M
47	1349491	T-SHAPED FITTING \varnothing 1/4"M-1/4"M-1/4"M

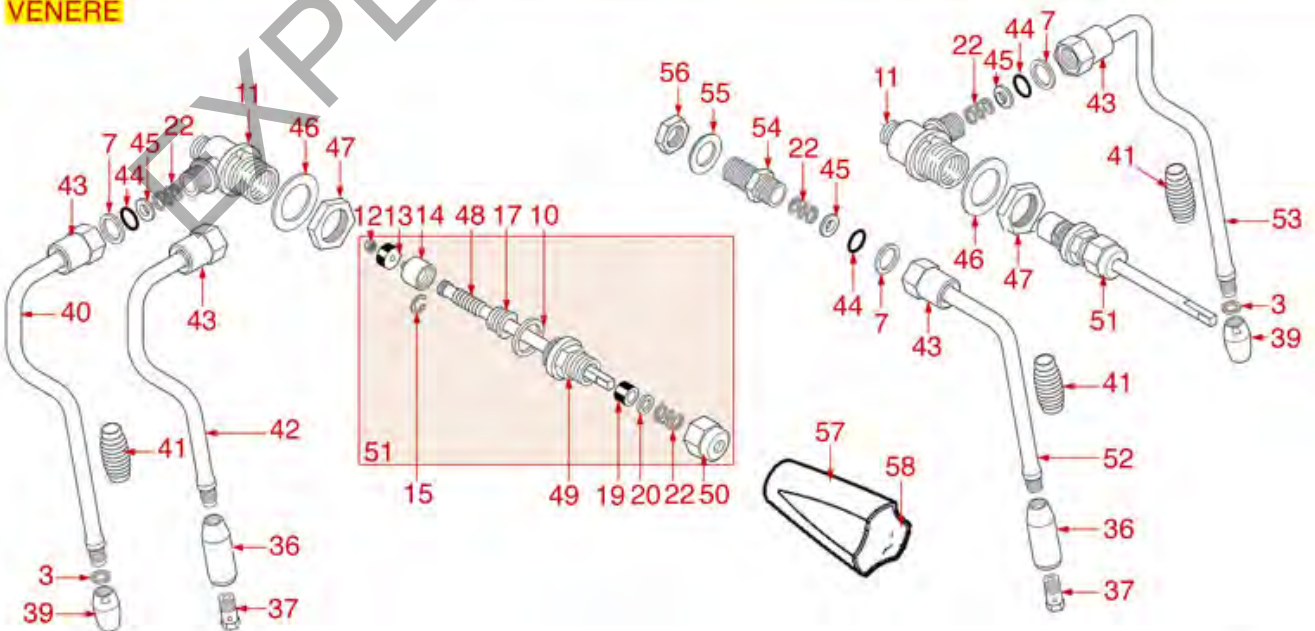


WATER/STEAM TAPS VELA-VENERE

VELA



VENERE





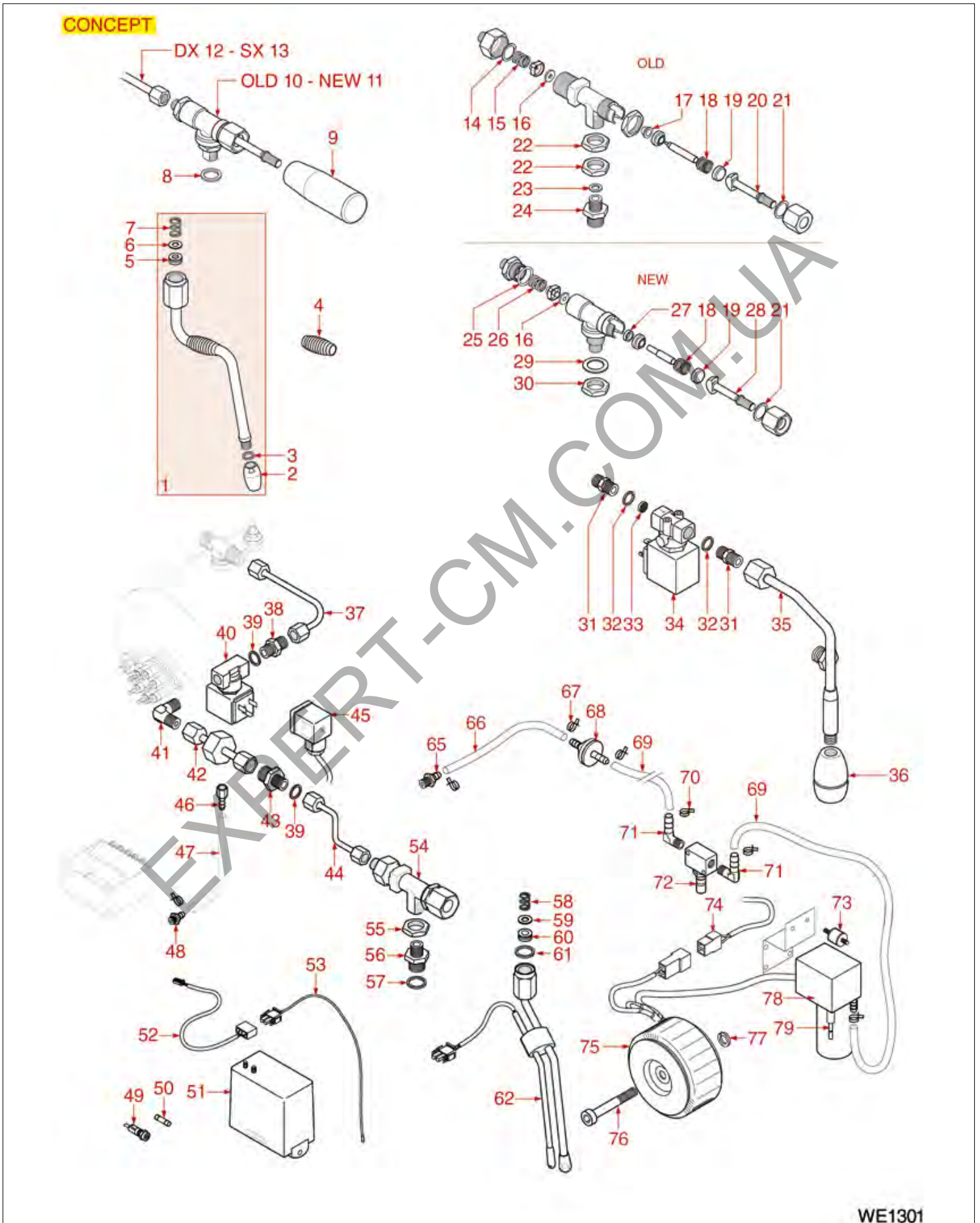
WEGA



Position	LF code no.	Description
5	1186378	CONICAL PTFE SEAL \varnothing 14x7x6 mm
5	1186626	O-RING 0114 EPDM
6	1250372	SPRING \varnothing 11,4x16 mm
7	1186201	GASKET FLAT PTFE \varnothing 21x16.8x2 mm
9	1348453	NUT M 26x1.5
10	1186333	COPPER FLAT GASKET \varnothing 26x20x2 mm
10	1186340	ASBESTOS FREE FLAT GASKET \varnothing 26x20x2 mm
11	1348451	STEAM TAP BODY
12	1348025	HEXAGONAL NUT M3
13	1186316	EPDM FLAT GASKET \varnothing 15x4x4 mm 60 SH
13	1186527	FLAT EPDM GASKET \varnothing 15x4x4 mm 80 SH
14	1324056	TAP PISTON
15	1250223	RADIAL SEEGER RING \varnothing 6 mm
17	1186377	GASKET HOLDER
18	1349458	TAP COUPLING
19	1186393	FLAT EPDM GASKET \varnothing 12.5x8x9 mm
19	1786263	FLAT GASKET EPDM \varnothing 12.5x8x9 mm
20	1186376	BRASS WASHER \varnothing 12x8x1 mm FLAT
21	1348458	TAP NUT
22	1250372	SPRING \varnothing 11,4x16 mm
23	1348076	WATER/STEAM TAP PIN ROD
29	1120355	2-WAY SOLENOID VALVE PARKER 230V 50/60Hz
30	1349079	L- FITTING \varnothing 1/4"M 1/8"M
32	3349323	NICHEL-PLATED FITTING \varnothing 1/4"M-3/8"M
33	1186620	COPPER FLAT GASKET \varnothing 22x17x1.5 mm
36	1449116	NOZZLE FOR WATER PIPE M9 \varnothing 18 mm
37	1449099	NOZZLE FOR WATER M10
41	1186180	BURN PREVENTING RUBBERPIECE \varnothing 10 mm
43	1449100	CHROME HEXAGONAL NUT
44	1186318	O-RING 03043 EPDM
45	1186334	WASHER
56	1349042	BRASS NUT \varnothing 3/8"
57	1241094	WATER/STEAM TAP KNOB
58	1241095	CAP FOR KNOB



WATER/STEAM TAPS CONCEPT



Positions without LF code no.: upon request



WEGA

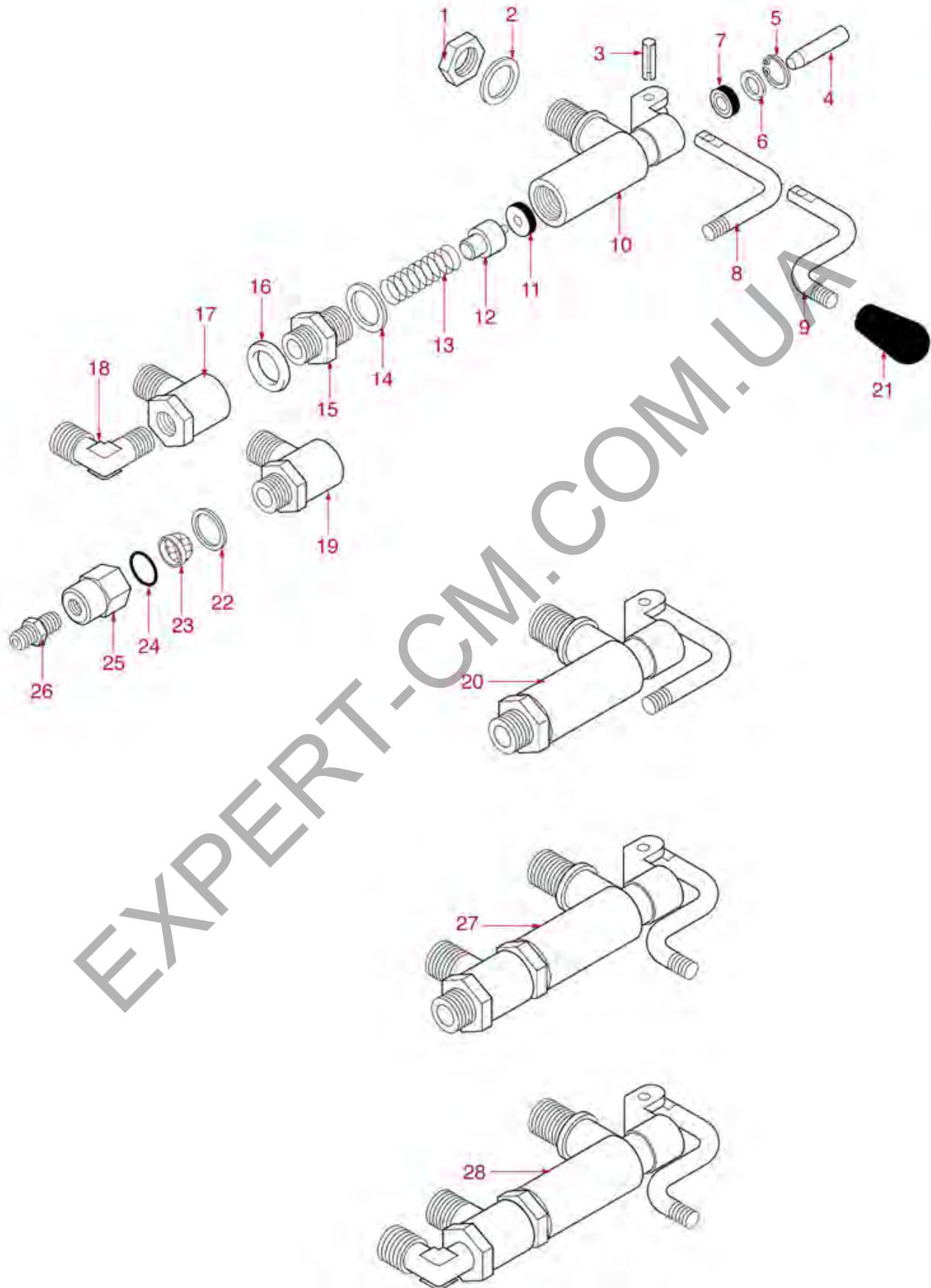


Position	LF code no.	Description
4	1186180	BURN PREVENTING RUBBERPIECE ø 10 mm
5	1186378	CONICAL PTFE SEAL ø 14x7x6 mm
5	1186626	O-RING 0114 EPDM
6	1786218	CONICAL PTFE SEAL ø 14.5x11.5x3 mm
7	1250372	SPRING ø 11,4x16 mm
8	1186201	GASKET FLAT PTFE ø 21x16.8x2 mm
23	1186619	COPPER FLAT GASKET ø 18x14x1.5 mm
25	1186327	O-RING 03081 EPDM
31	1349102	FITTING ø 1/4"M-1/4"M
32	1186619	COPPER FLAT GASKET ø 18x14x1.5 mm
33	1160516	WATER FILTER ø 11 mm
34	1120240	SOLENOID VALVE ODE 2 WAYS ø 1/4" 230V
36	1449097	NOZZLE FOR WATER M10 /STAINL.STEEL
38	1349102	FITTING ø 1/4"M-1/4"M
39	1186619	COPPER FLAT GASKET ø 18x14x1.5 mm
40	1120239	3-WAY SOLENOID VALVE ODE 230V 50Hz
43	1349112	FITTING ø 1/4"M-3/8"M
47	1449282	SILICONE HOSE ø 5x8 SHORE 60 - 100 m
47	1449682	SILICONE HOSE ø 5x8 SHORE 60 - 10 m
57	1186201	GASKET FLAT PTFE ø 21x16.8x2 mm
58	1250372	SPRING ø 11,4x16 mm
59	1786218	CONICAL PTFE SEAL ø 14.5x11.5x3 mm
60	1186378	CONICAL PTFE SEAL ø 14x7x6 mm
60	1186626	O-RING 0114 EPDM
61	1186334	WASHER
67	3449402	DOUBLE-WIRE CLAMP 7.8-8.3 - 100 PCS
70	3449404	DOUBLE-WIRE CLAMP 8.8-9.3 - 100 PCS
73	1313002	ANTI VIBRATION SUPPORT ø 15x15 mm M4

EXPERT-CM.COM.UA



WATER INLET TAPS STANDARD



WE1501

Positions without LF code no.: upon request



WEGA

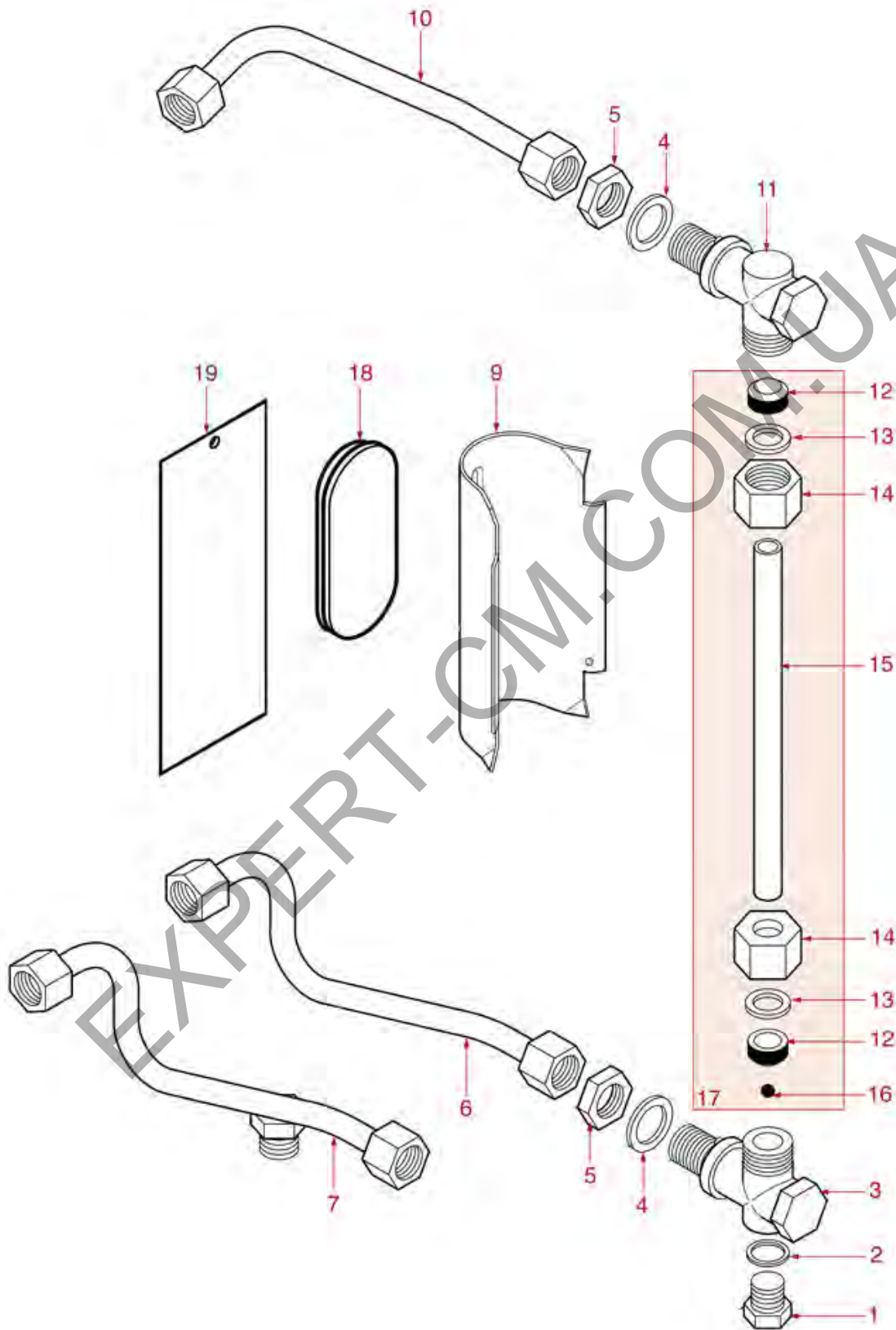


Position	LF code no.	Description
1	1349042	BRASS NUT \varnothing 3/8"
2	1186446	BRASS WASHER \varnothing 28x17x2 mm FLAT
3	1250217	CLASP \varnothing 5x20 mm
4	1324076	TAP PIN \varnothing 8x35.6 mm
5	1250218	CIRCLIP J-14
6	1186306	BRASS WASHER \varnothing 10x5x1 mm FLAT
6	1528095	BRASS WASHER FLAT \varnothing 15.4x9x1 mm
7	1186491	LIP SEAL \varnothing 14x7x5 mm
8	1225401	TAP LEVER
9	1225402	TAP LEVER
11	1186316	EPDM FLAT GASKET \varnothing 15x4x4 mm 60 SH
11	1186527	FLAT EPDM GASKET \varnothing 15x4x4 mm 80 SH
12	1348456	WATER INLET TAP PISTON
13	1250546	SPRING \varnothing 14x44 mm
14	1186333	COPPER FLAT GASKET \varnothing 26x20x2 mm
14	1186620	COPPER FLAT GASKET \varnothing 22x17x1.5 mm
16	1186186	ROUND COPPER GASKET \varnothing 23x17x3 mm
17	1349019	"T"-COUPLING 3/8"F 3/8"M FOR INJECTOR
20	1348401	WATER INLET TAP
21	1241401	KNOB M8x1
22	1186620	COPPER FLAT GASKET \varnothing 22x17x1.5 mm
23	1160400	WATER FILTER \varnothing 11 mm
24	1186422	O-RING 0108 EPDM
26	1349101	FITTING \varnothing 1/8"M-1/8"M NICKEL-PLATED
27	1348457	WATER INLET TAP
28	1348459	INLET TAP

EXPERT-CM.COM.UA



LEVEL





WEGA

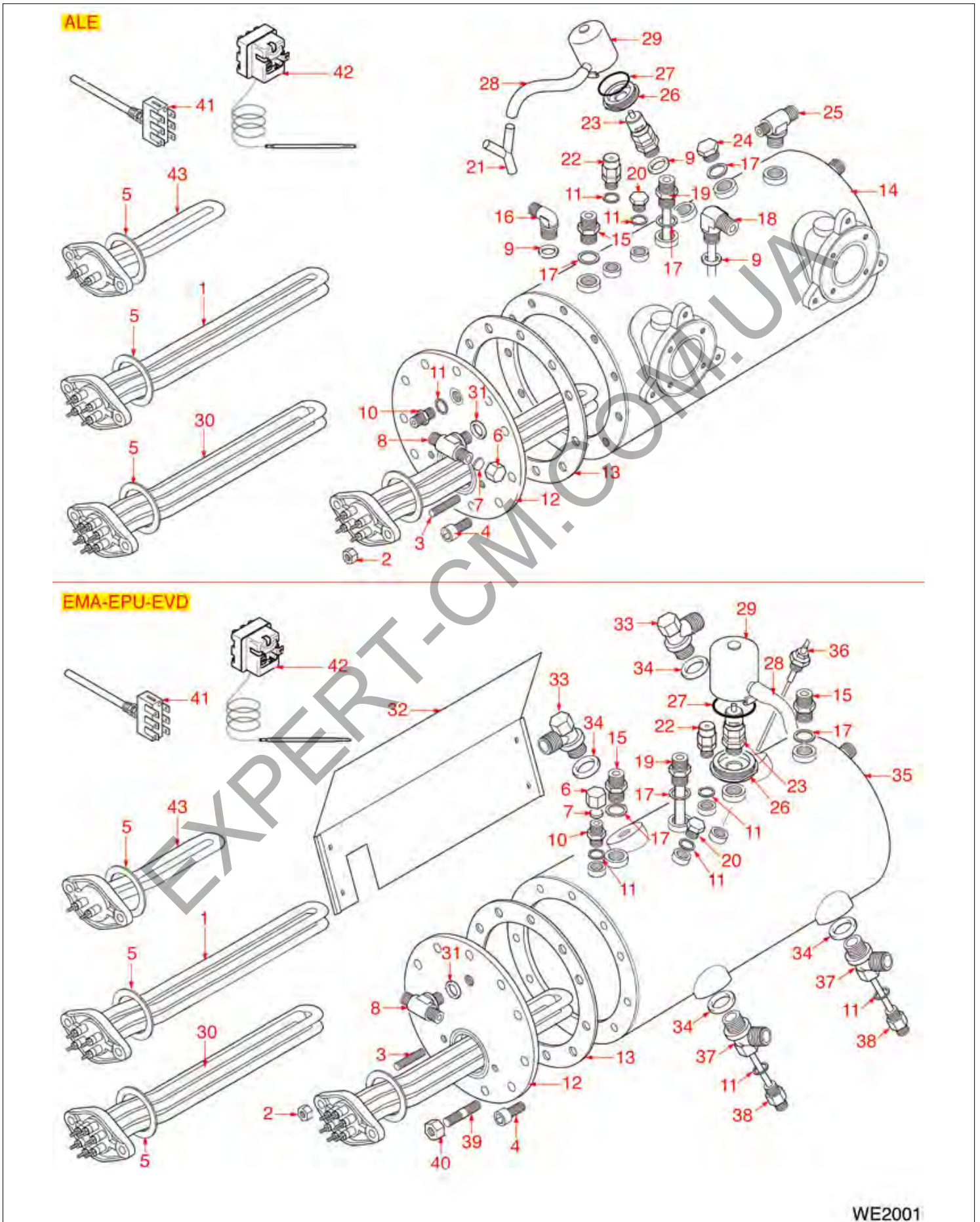


Position	LF code no.	Description
1	1439048	BOILER CAP \varnothing 1/4" M
2	1186619	COPPER FLAT GASKET \varnothing 18x14x1.5 mm
4	1186446	BRASS WASHER \varnothing 28x17x2 mm FLAT
5	1349042	BRASS NUT \varnothing 3/8"
9	1244501	SIGHTGLASS HOUSING
12	1186206	EPDM FLAT GASKET \varnothing 16x10x8 mm
13	1186035	BRASS WASHER \varnothing 18x12x1 mm FLAT
14	1349061	GLASS FASTENING NUT \varnothing 1/2" F HOLE 12 mm
15	1520506	LEVEL GLASS \varnothing 11x170 mm
15	1520511	LEVEL GLASS \varnothing 11x170 mm
16	1323001	RED LEVEL BALL \varnothing 5.8 mm
18	1201011	COLORLESS TUV LEVEL GAUGE PLATE
19	1201012	PLEXIGLASS LEVEL GAUGE PLATE

EXPERT-CM.COM.UA



BOILER STANDARD ALE-EMA-EPU-EVD



WE2001

Positions without LF code no.: upon request



WEGA

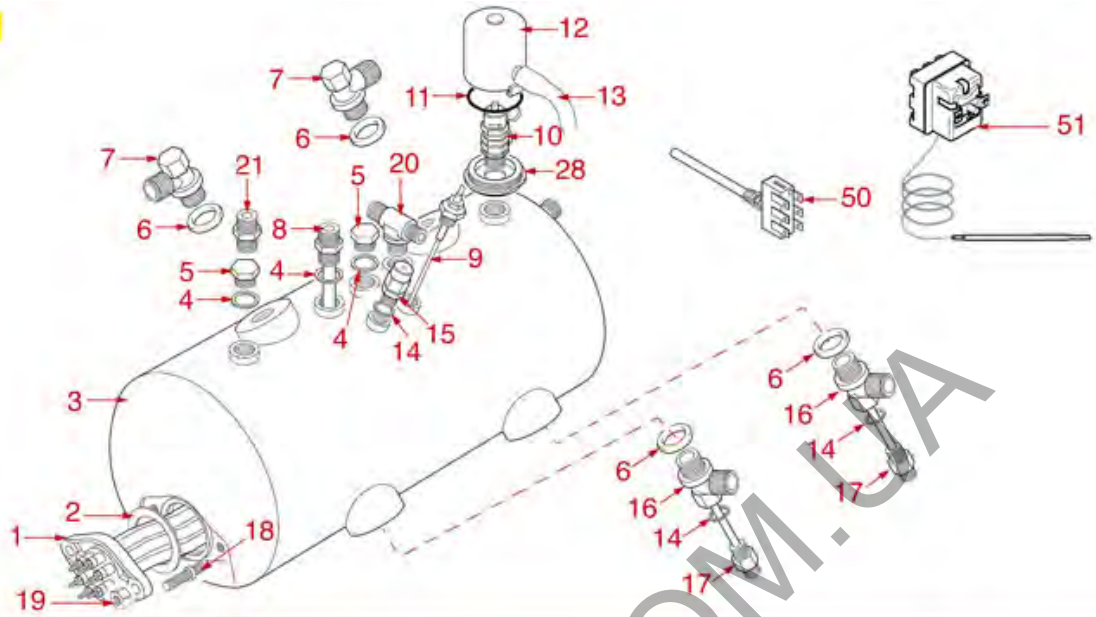


Position	LF code no.	Description
1	1755065	HEATING ELEMENT 2000/2177W 230/240V
1	1755067	HEATING ELEMENT 2600W 230/240V
1	1755068	HEATING ELEMENT 3700W 230/240V
1	1755070	HEATING ELEMENT 4000W 230/240V
1	1755071	HEATING ELEMENT 5000W 230/240V
1	1755601	HEATING ELEMENT 2000W 110V
1	1755602	HEATING ELEMENT 1700W 110V
1	1755604	HEATING ELEMENT 2000W 230/240V
1	1755605	HEATING ELEMENT 2600W 110V
1	1755606	HEATING ELEMENT 3700W 110V
3	1528055	S/STEEL STUD \varnothing 8x40 mm
4	1528056	S/STEEL SCREW T.C.E.I. M10x20
5	1186606	FLAT CARBO GASKET \varnothing 57x43x3 mm
6	1439021	CAP \varnothing 1/4"F HEIGHT 16 mm NUT 17 mm
8	1349491	T-SHAPED FITTING \varnothing 1/4"M-1/4"M-1/4"M
9	1186186	ROUND COPPER GASKET \varnothing 23x17x3 mm
10	1349102	FITTING \varnothing 1/4"M-1/4"M
11	1186619	COPPER FLAT GASKET \varnothing 18x14x1.5 mm
13	1186561	BOILER GASKET \varnothing 190x137x3 mm
13	1186562	BOILER GASKET \varnothing 191x139x3 mm
15	1349103	FITTING \varnothing 3/8"M-3/8"M
16	1349084	ELBOW FITTING \varnothing 3/8"M-3/8"M
17	1186620	COPPER FLAT GASKET \varnothing 22x17x1.5 mm
18	1449202	INJECTOR PIPE
19	1449092	SUCTION PIPE \varnothing 3/8"M
20	1439048	BOILER CAP \varnothing 1/4"M
21	3315106	3-WAY HOSE END RUBBER FITTING \varnothing 10 mm
22	1523538	BOILER VALVE \varnothing 1/4"M
23	1515100	BOILER VALVE \varnothing 3/8"M 1.8bar CE-PED
23	1515120	BOILER VALVE \varnothing 3/8"M 1.9bar CE-PED
23	1523409	BOILER VALVE \varnothing 3/8"M
24	1439023	BOILER CAP \varnothing 3/8"M
25	1349086	T SHAPED BRASS FITTING \varnothing 3/8"-3/8"-1/4"
26	1523002	PROTECTION FLANGE FOR BOILER VALVE
27	1186184	VITON O-RING 03156
28	1449687	SILICONE HOSE \varnothing 8x10 SHORE 60 - 10 m
29	1523402	SAFETY VALVE PROTECTION
30	1755065	HEATING ELEMENT 2000/2177W 230/240V
30	1755245	HEATING ELEMENT 6000W 220V
30	1755258	HEATING ELEMENT 3400/3700W 230/240V
30	1755259	HEATING ELEMENT 5000/5440W 230/240V
30	1755273	HEATING ELEMENT 2700W 120V
30	1755608	HEATING ELEMENT 2700/2940W 230/240V
30	1755615	HEATING ELEMENT 2600/2831W 230/240V
31	1186769	ROUND COPPER GASKET \varnothing 18.7x13x2.5 mm
33	1349089	BOILER FITTING \varnothing 1/2"
34	1186445	ROUND COPPER GASKET \varnothing 26x21.4x2 mm
36	1341750	LEVEL PROBE \varnothing 1/4"M-125 mm
42	1444509	THREE-PHASE THERMOSTAT 169°C
43	1755220	HEATING ELEMENT 1500W 230V

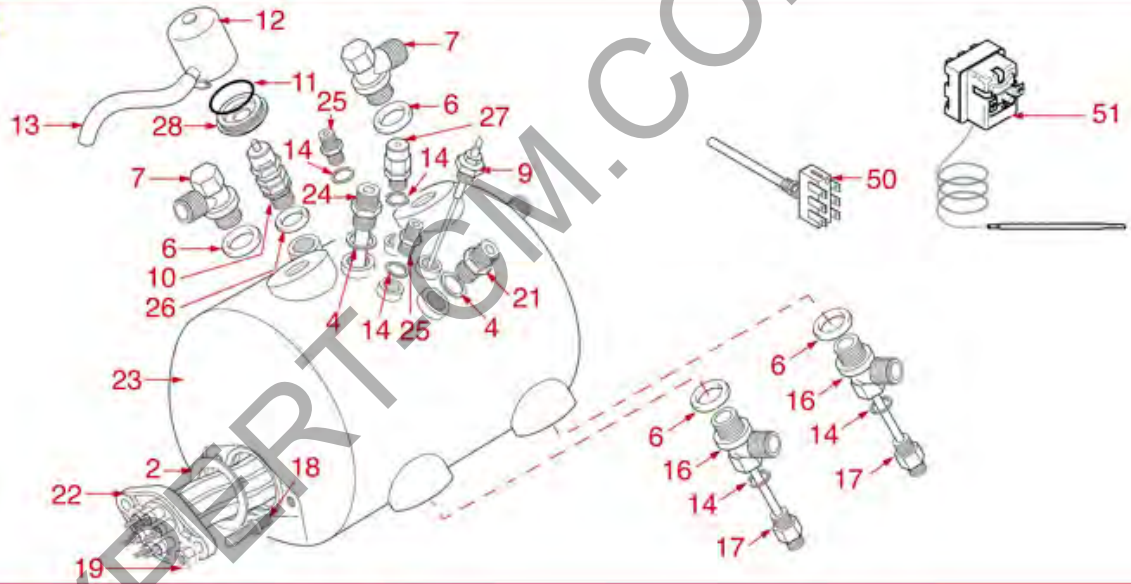


BOILER ORION-START-COMPATTA-MININOVA

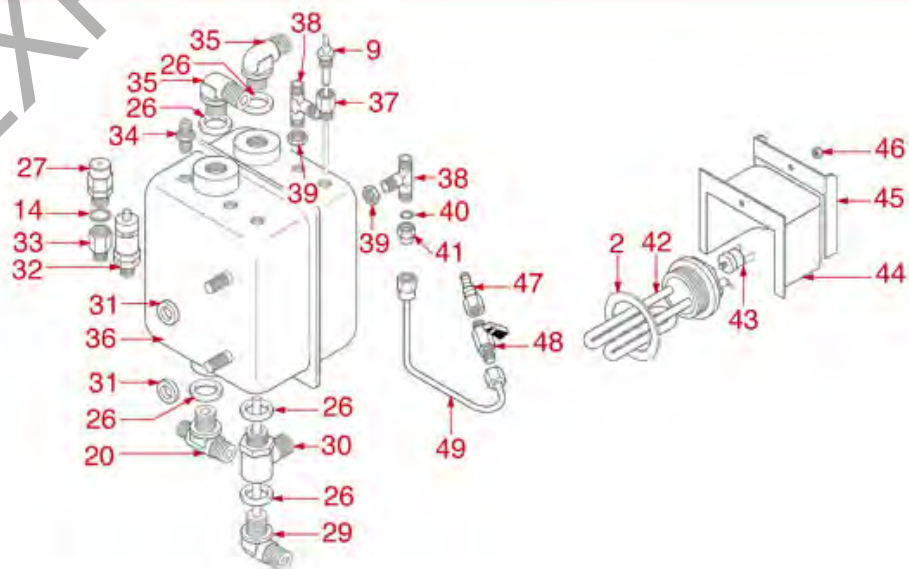
ORION-START



COMPATTA



MININOVA





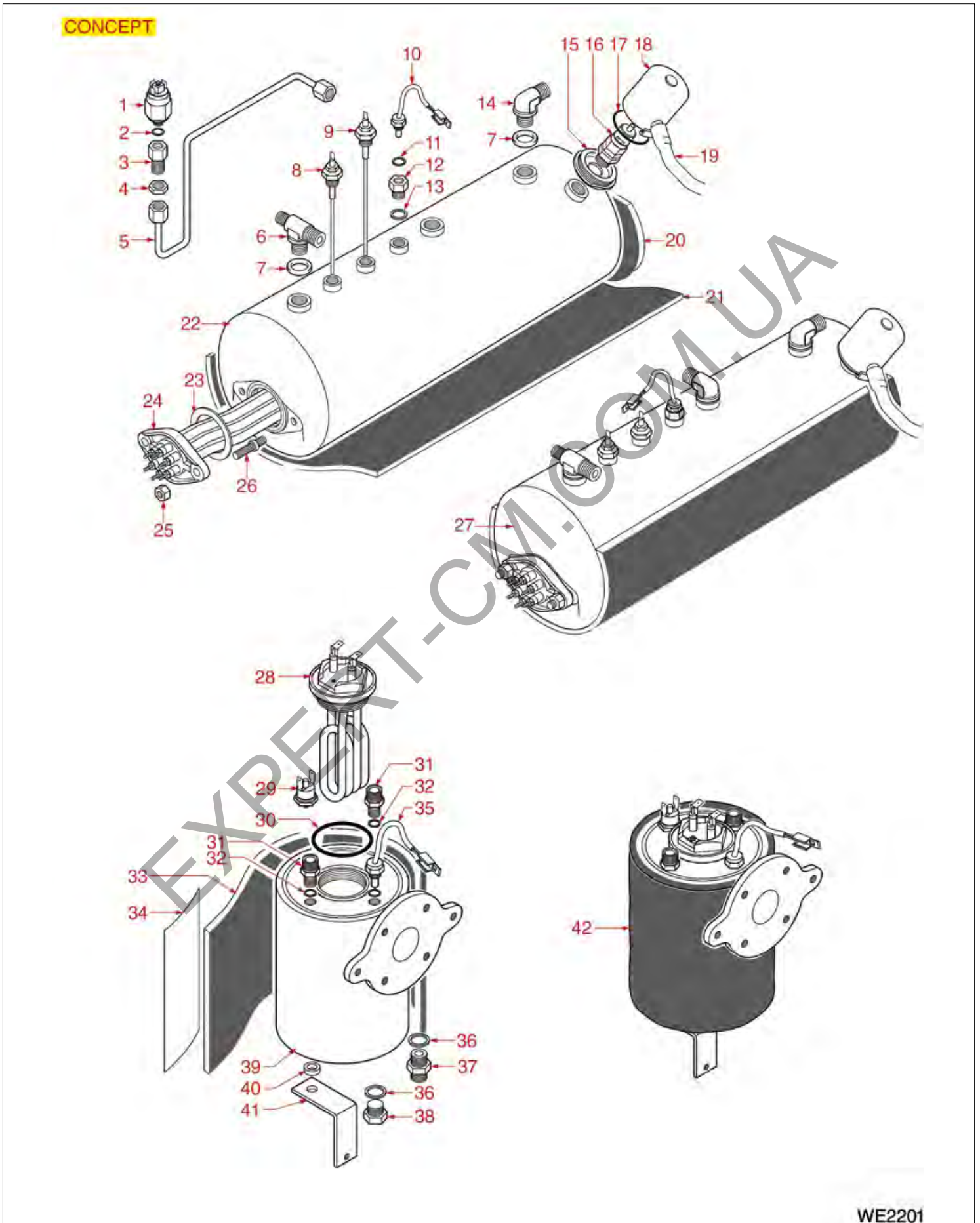
WEGA



Position	LF code no.	Description
1	1755215	HEATING ELEMENT 3000/3266W 230/240V
1	1755258	HEATING ELEMENT 3400/3700W 230/240V
1	1755605	HEATING ELEMENT 2600W 110V
1	1755615	HEATING ELEMENT 2600/2831W 230/240V
2	1186606	FLAT CARBO GASKET \varnothing 57x43x3 mm
2	1186623	PTFE FLAT GASKET \varnothing 53x43x3 mm
2	1186633	FLAT CARBO GASKET \varnothing 53x42x3 mm
2	3186010	ASBESTOS FREE FLAT GASKET \varnothing 54x42x2 mm
4	1186620	COPPER FLAT GASKET \varnothing 22x17x1.5 mm
5	1439023	BOILER CAP \varnothing 3/8"M
6	1186445	ROUND COPPER GASKET \varnothing 26x21.4x2 mm
7	1349089	BOILER FITTING \varnothing 1/2"
9	1341750	LEVEL PROBE \varnothing 1/4"M-125 mm
10	1515100	BOILER VALVE \varnothing 3/8"M 1.8bar CE-PED
10	1515120	BOILER VALVE \varnothing 3/8"M 1.9bar CE-PED
10	1523409	BOILER VALVE \varnothing 3/8"M
11	1186184	VITON O-RING 03156
12	1523402	SAFETY VALVE PROTECTION
13	1449687	SILICONE HOSE \varnothing 8x10 SHORE 60 - 10 m
14	1186619	COPPER FLAT GASKET \varnothing 18x14x1.5 mm
15	1523538	BOILER VALVE \varnothing 1/4"M
16	1349278	BOILER FITTING \varnothing 1/2"M-1/2"M-1/4"F
17	1349017	INJECTION PIPE 1/4"M-1/4"M
20	1349086	T SHAPED BRASS FITTING \varnothing 3/8"-3/8"-1/4"
21	1349103	FITTING \varnothing 3/8"M-3/8"M
22	1755273	HEATING ELEMENT 2700W 120V
22	1755608	HEATING ELEMENT 2700/2940W 230/240V
24	1449092	SUCTION PIPE \varnothing 3/8"M
25	1349102	FITTING \varnothing 1/4"M-1/4"M
26	1186186	ROUND COPPER GASKET \varnothing 23x17x3 mm
27	1523538	BOILER VALVE \varnothing 1/4"M
28	1523002	PROTECTION FLANGE FOR BOILER VALVE
32	1523408	BOILER VALVE \varnothing 1/8"M
33	1349136	FITTING \varnothing 1/8"M-1/4"F
34	1349101	FITTING \varnothing 1/8"M-1/8"M NICKEL-PLATED
35	1349084	ELBOW FITTING \varnothing 3/8"M-3/8"M
39	1348035	NUT \varnothing 1/8"
42	1755603	HEATING ELEMENT 1300W 230V
42	1755607	HEATING ELEMENT 1200W 110V
43	1444206	CONTACT THERMOSTAT 145°C M4
46	1348813	HEXAGONAL NUT M4 MEDIUM
48	5048593	SPHERE VALVE \varnothing 1/4"mm
51	1444509	THREE-PHASE THERMOSTAT 169°C



SERVICE BOILER AND GROUPS CONCEPT





WEGA










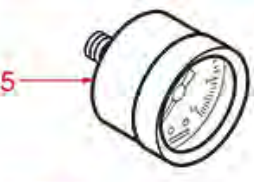



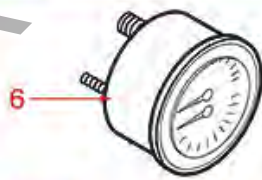
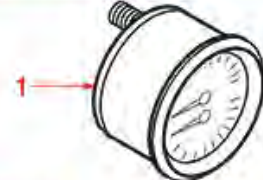


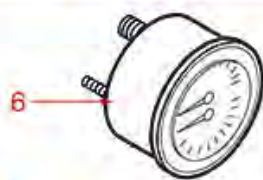




Position	LF code no.	Description
1	1320019	PRESSURE SWITCH ES31 1.5 BAR \varnothing 1/8"M
7	1186186	ROUND COPPER GASKET \varnothing 23x17x3 mm
8	5030757	LEVEL PROBE \varnothing 1/4"M-100 mm
9	1341750	LEVEL PROBE \varnothing 1/4"M-125 mm
10	1397053	TEMPERATURE PROBE NTC
13	1186619	COPPER FLAT GASKET \varnothing 18x14x1.5 mm
14	1349084	ELBOW FITTING \varnothing 3/8"M-3/8"M
15	1523002	PROTECTION FLANGE FOR BOILER VALVE
16	1515120	BOILER VALVE \varnothing 3/8"M 1.9bar CE-PED
16	1523409	BOILER VALVE \varnothing 3/8"M
17	1186184	VITON O-RING 03156
18	1523402	SAFETY VALVE PROTECTION
19	1449287	SILICONE HOSE \varnothing 8x10 SHORE 60 - 100 m
19	1449687	SILICONE HOSE \varnothing 8x10 SHORE 60 - 10 m
23	1186606	FLAT CARBO GASKET \varnothing 57x43x3 mm
24	1755071	HEATING ELEMENT 5000W 230/240V
24	1755215	HEATING ELEMENT 3000/3266W 230/240V
28	1755257	HEATING ELEMENT 1000/1090W 230/240V
29	1444206	CONTACT THERMOSTAT 145°C M4
30	3186175	EPDM O-RING GASKET 04175
31	1349111	FITTING \varnothing 1/8"M 1/4"M
35	1397053	TEMPERATURE PROBE NTC
36	1186619	COPPER FLAT GASKET \varnothing 18x14x1.5 mm
37	1349102	FITTING \varnothing 1/4"M-1/4"M
38	1439048	BOILER CAP \varnothing 1/4"M

EXPERT-CM.COM.UA



PRESSURE-GAUGES

 AIRY	 ATLAS	 COLOSSEUM
 COMBI NOVA	 ESPRESSA	 EURO 2000
 FORMULA MILANO	 JUNIOR	 JUNIOR
 MININOVA	 NOVA	 NOVA COMPATTA
 ORION ECO	 POLARIS	 SPHERA
 START	 SYNTHESIS	 VELA
 VENERE	 VENUS	



WEGA

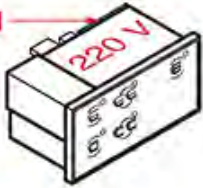
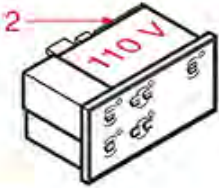
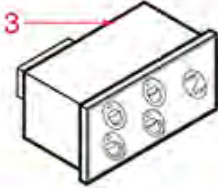
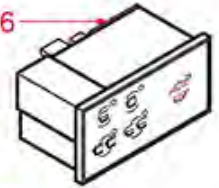
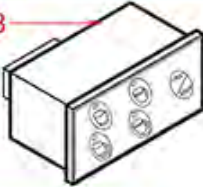
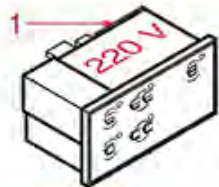
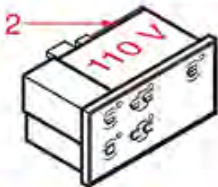
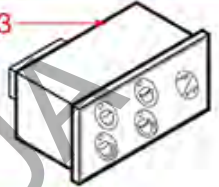
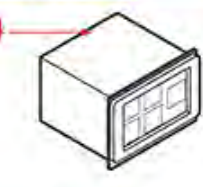
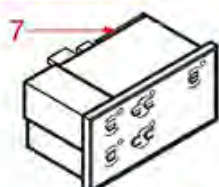
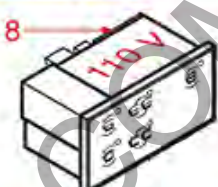
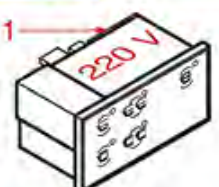
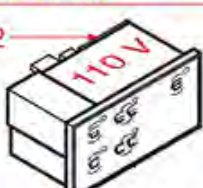
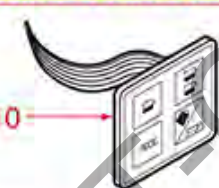
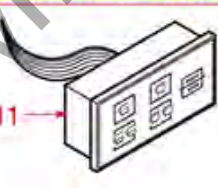



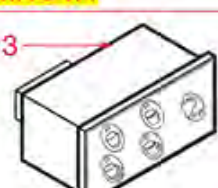


Position	LF code no.	Description
1	1245504	BOILER-PUMP PRESSURE GAUGE ø 60 mm
2	1245032	BOILER-PUMP PRESSURE GAUGE ø 63 mm
2	1245502	BOILER-PUMP PRESSURE GAUGE ø 60 mm
3	1245411	BOILER-PUMP PRESSURE GAUGE ø 63 mm
4	1245507	BOILER PRESSURE GAUGE ø 52 mm 0÷3 bar
5	1245100	BOILER PRESSURE GAUGE ø 41 mm 0÷2.5 bar
6	1245032	BOILER-PUMP PRESSURE GAUGE ø 63 mm

EXPERT-CM.COM.UA



PUSH-BUTTON PANELS

 AIRY	 AIRY	 ATLAS	 ATLAS
 COLOSSEUM	 COMBI NOVA	 COMBI NOVA	 ESPRESSA
 EURO 2000	 FORMULA MILANO	 FORMULA MILANO	 JUNIOR
 JUNIOR	 MININOVA	 MININOVA	 NOVA
 NOVA	 NOVA COMPATTA	 ORION ECO	

Positions without LF code no.: upon request



WEGA



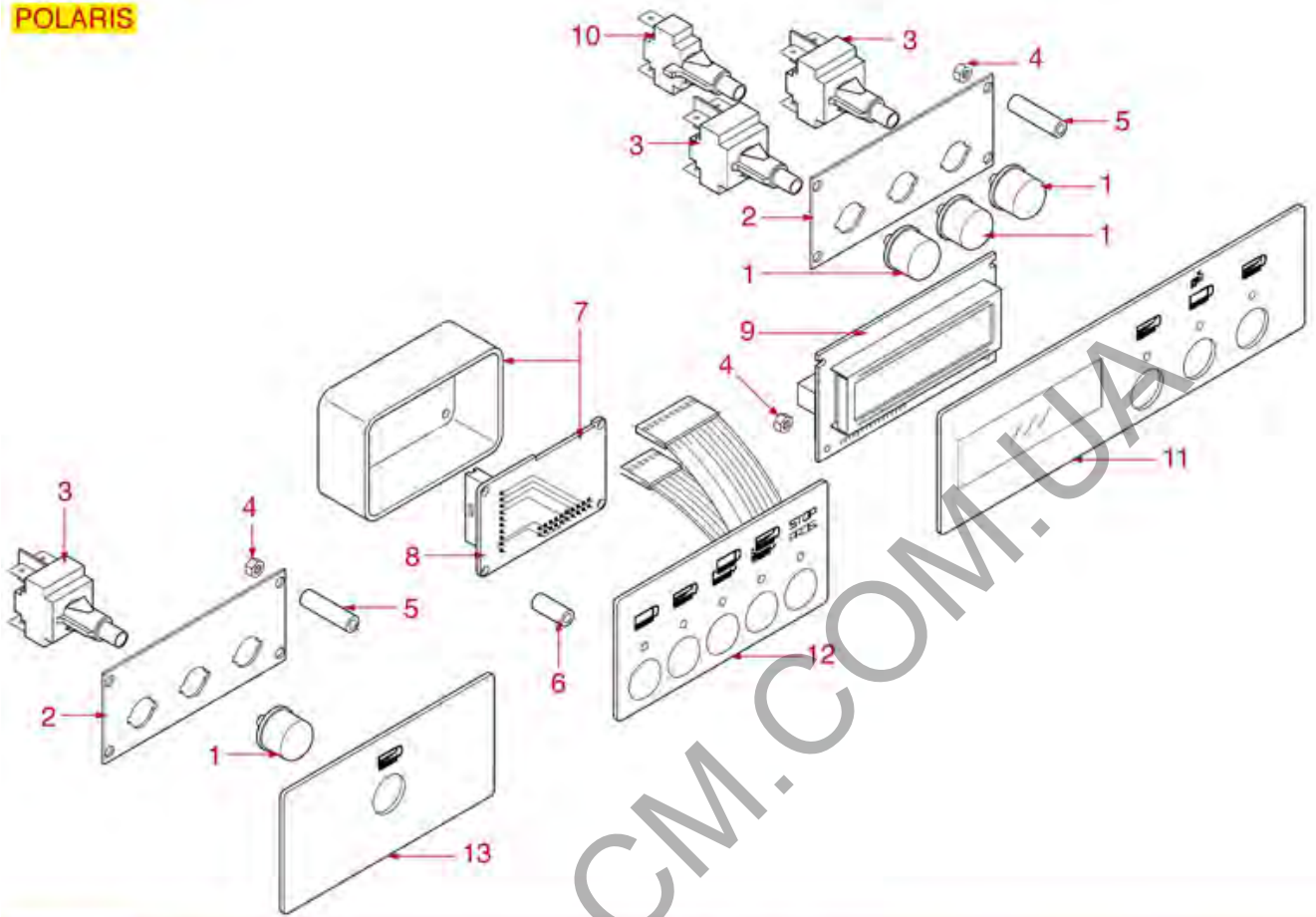
Position	LF code no.	Description
1	1319851	PUSH-BUTTON PANEL 5 BUTTONS
2	1319850	PUSH-BUTT.PANEL 5 BUTTONS 115V 50/60Hz
3	1319169	5 BUTTONS PANEL
4	1319451	PUSH-BUTTON PANEL 5 BUTTONS
5	1319852	PUSH-BUTTON PANEL 6 BUTTONS
6	5038895	PUSH-BUTTON PANEL 5 KEYS
7	1319851	PUSH-BUTTON PANEL 5 BUTTONS
8	1319850	PUSH-BUTT.PANEL 5 BUTTONS 115V 50/60Hz
11	1319493	PUSH-BUTTON PANEL 5 BUTTONS

EXPERT-CM.COM.UA

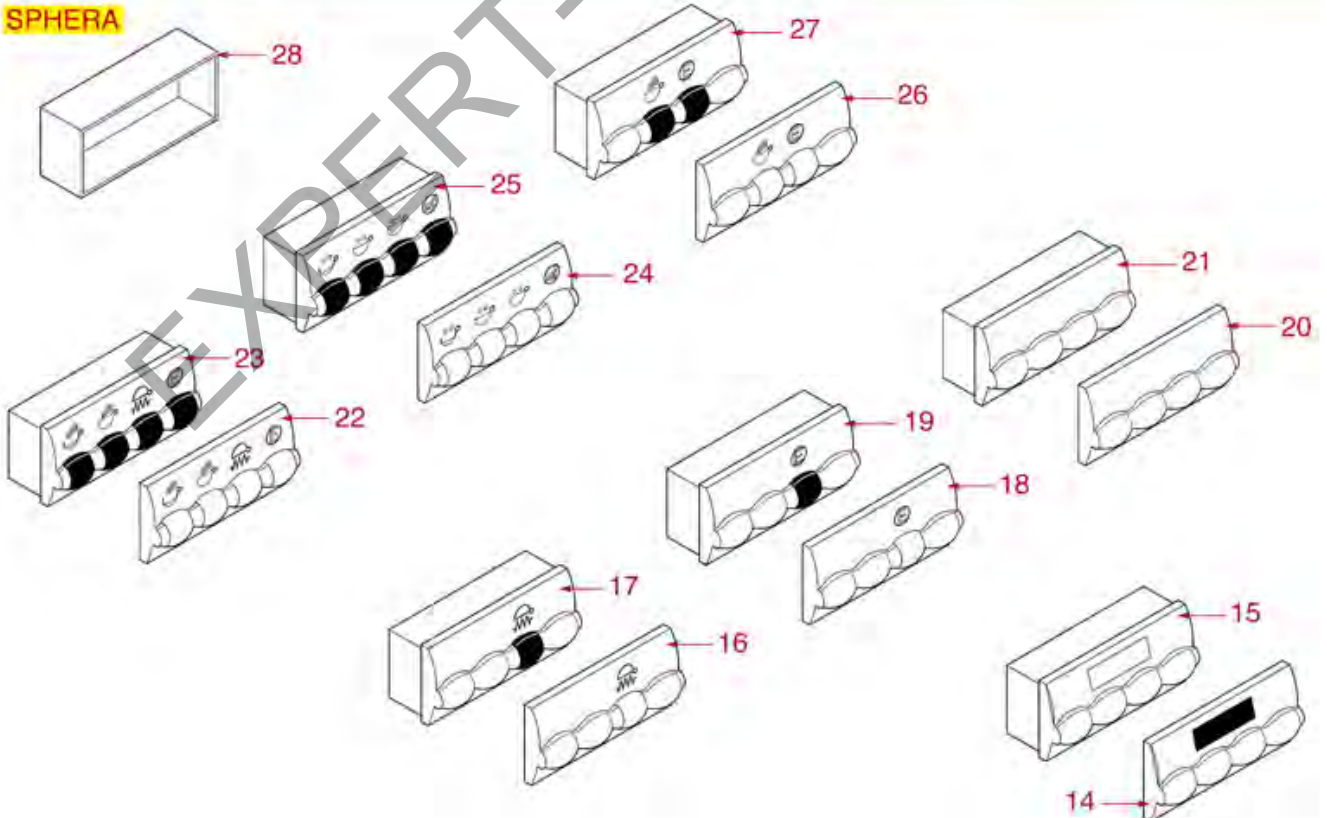


PUSH-BUTTON PANELS

POLARIS



SPHERA





WEGA



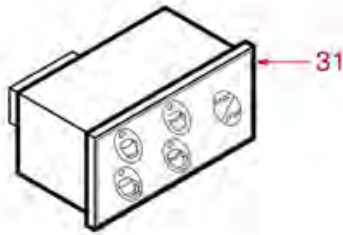
Position	LF code no.	Description
1	1319167	BUTTON FOR PUSH BUTTON PANEL
3	1319005	BIPOLAR SWITCH 16A 250V
4	1348025	HEXAGONAL NUT M3
10	1319082	SINGLE-POLE PUSH BUTTON 16A 250V
12	1319168	PUSH-BUTTON PANEL MEMBRANE 5 BUTTONS
17	1319084	PUSH-BUTTON PANEL 1 BUTTON
19	1319085	PUSH-BUTTON PANEL 1 BUTTON
21	1319083	PUSH-BUTTON PANEL BLIND 4 BUTTONS
23	1319238	PUSH-BUTTON PANEL 4 BUTTONS
25	1319237	PUSH-BUTTON PANEL 4 BUTTONS
27	1319086	PUSH-BUTTON PANEL 2 BUTTONS

EXPERT-CM.COM.UA

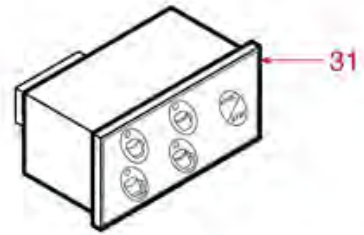


PUSH-BUTTON PANELS

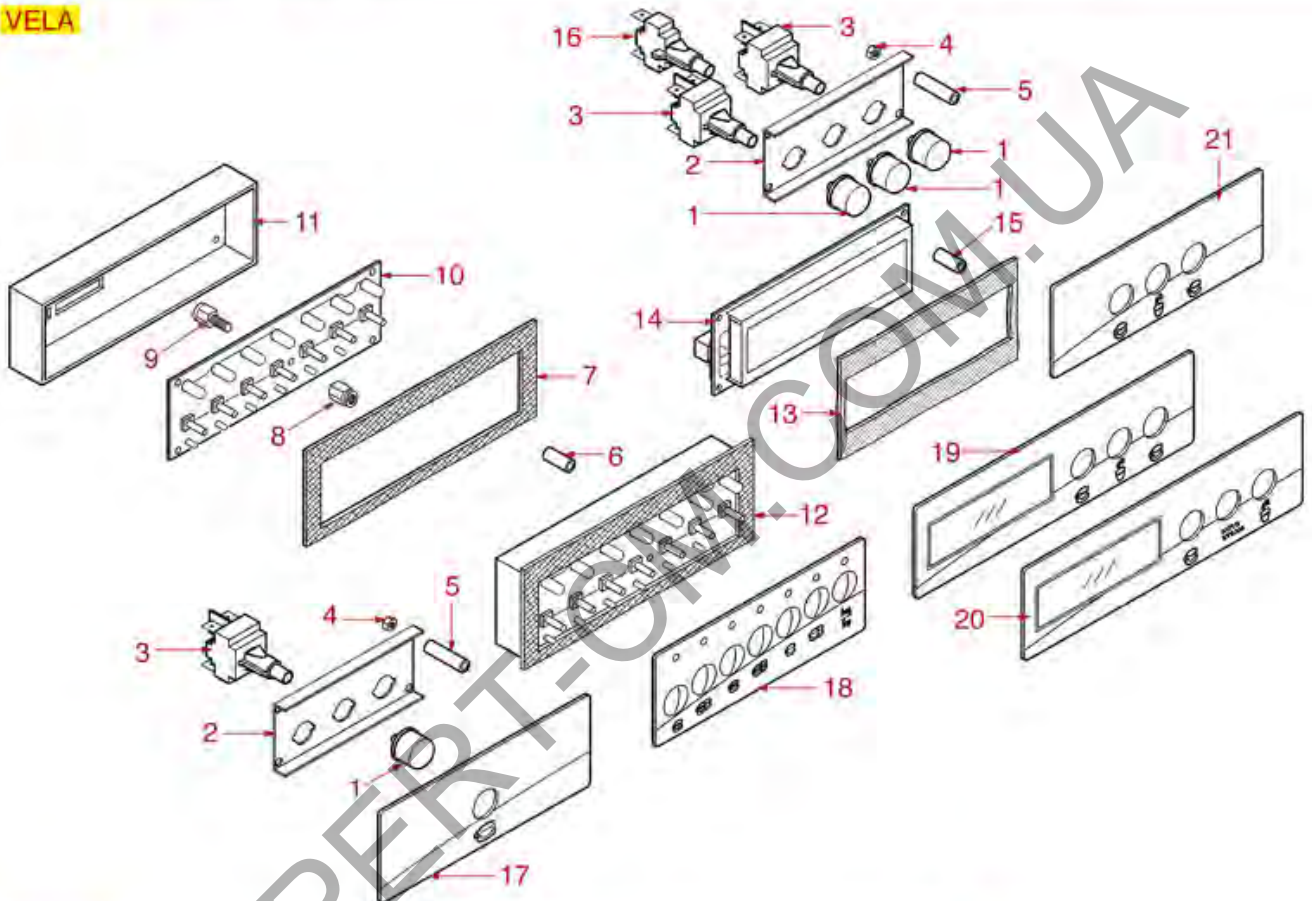
START



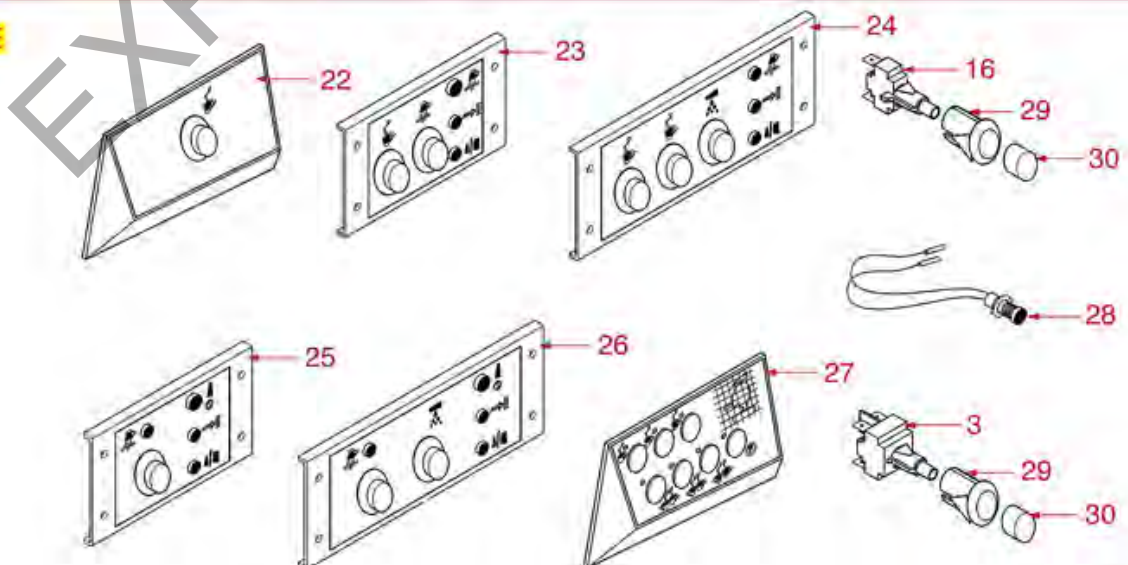
SYNTHESIS



VELA



VENERE



WE3201



WEGA

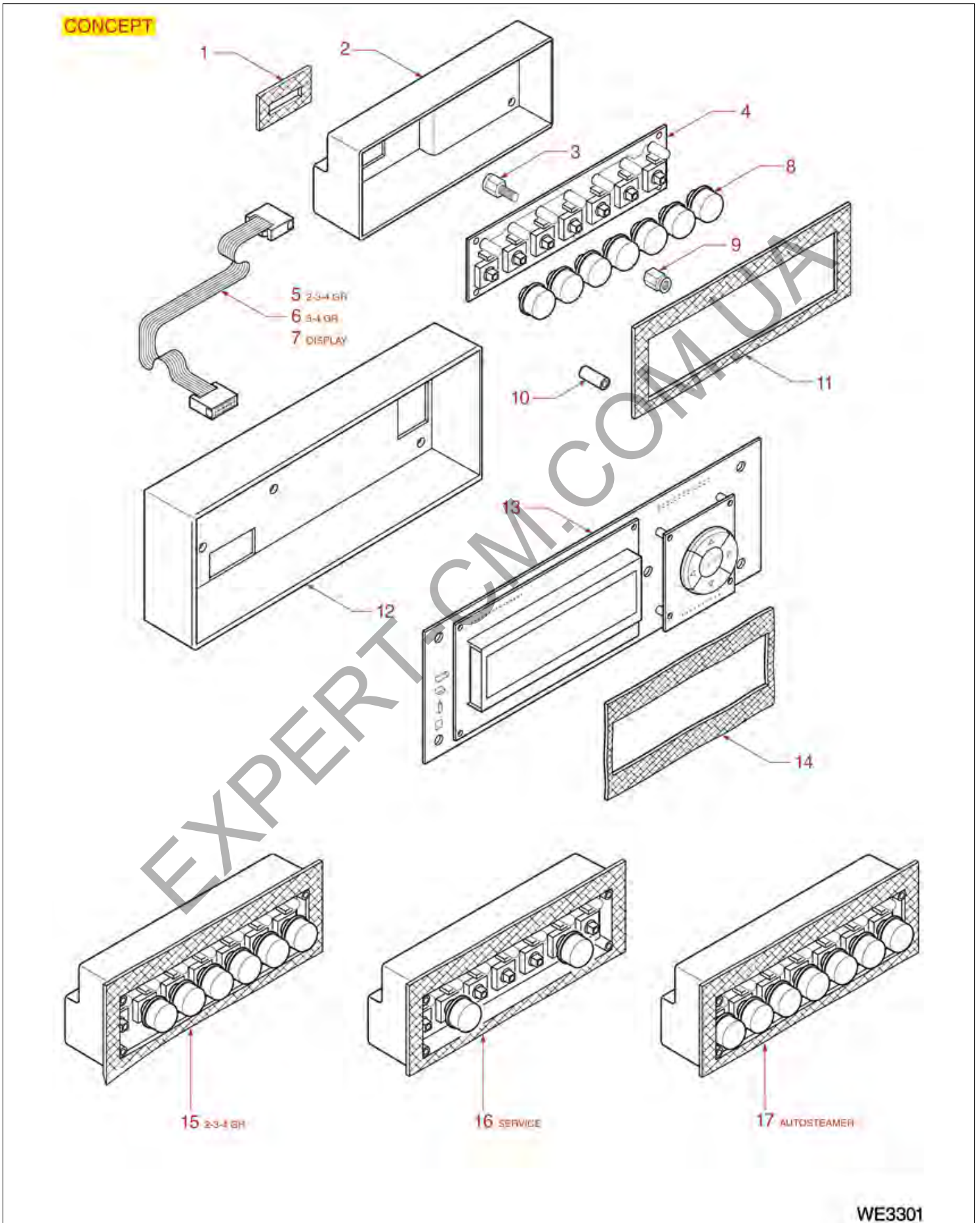


Position	LF code no.	Description
1	1319167	BUTTON FOR PUSH BUTTON PANEL
3	1319005	BIPOLAR SWITCH 16A 250V
4	1348025	HEXAGONAL NUT M3
16	1319082	SINGLE-POLE PUSH BUTTON 16A 250V
18	1319239	PUSH-BUTT.PANEL DIAPHR. 7 BUTTONS
28	1341314	LED RED INDICATOR LIGHT
31	1319169	5 BUTTONS PANEL

EXPERT-CM.COM.UA



PUSH-BUTTONS CONCEPT



Positions without LF code no.: upon request



WEGA

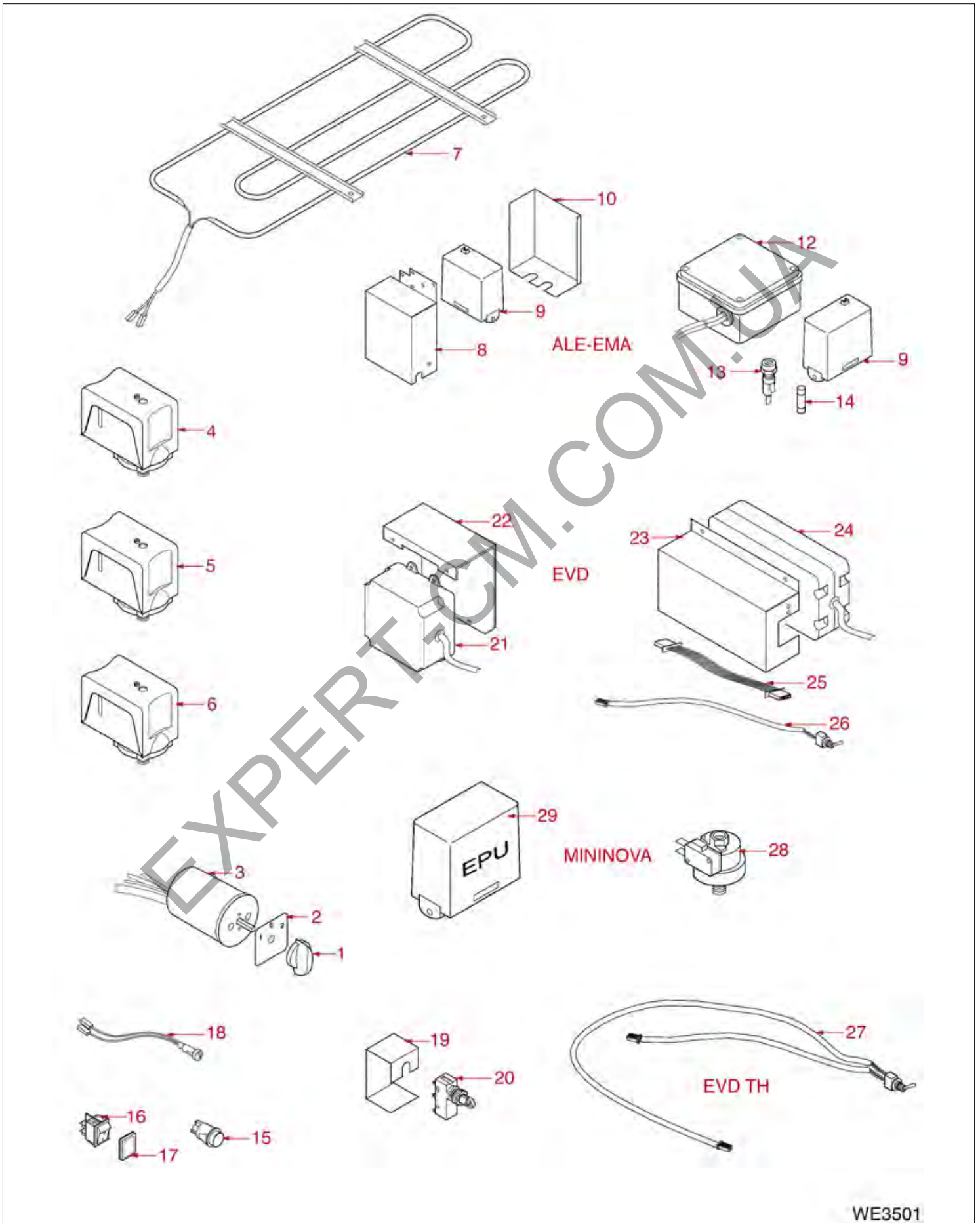


Position	LF code no.	Description
4	1319504	7 BUTTONS PUSH-BUTTON PANEL
7	1050022	10 POLES FLAT CABLE 1350 mm
8	1319242	BUTTON F.PUSH-BUTTON PANEL
15	1319505	7 BUTTONS COMPLETE PUSH-BUTTON PANEL

EXPERT-CM.COM.UA



ELECTRICAL SYSTEM



WE3501

Positions without LF code no.: upon request



WEGA

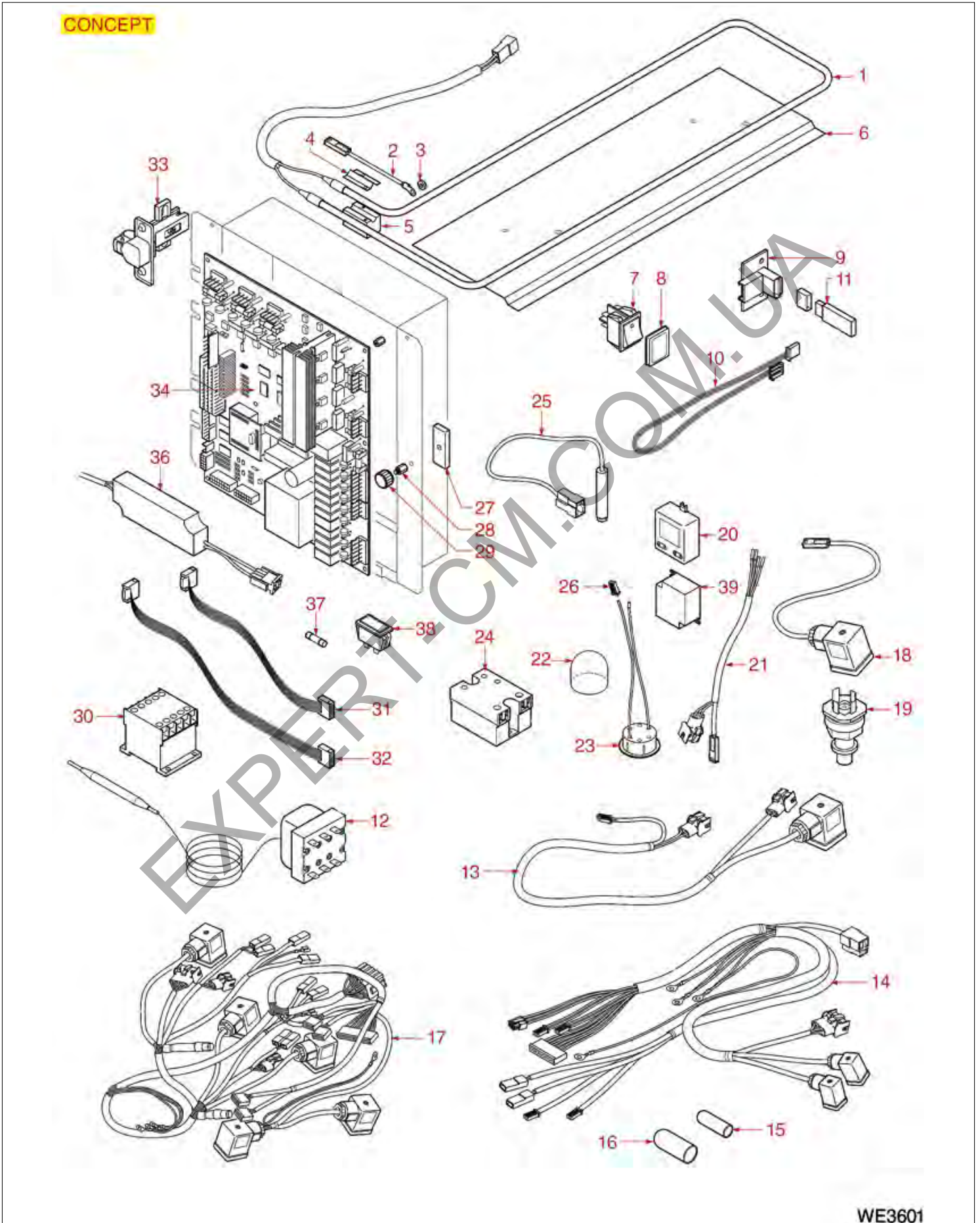


Position	LF code no.	Description
1	1241010	KNOB SELECTOR SWITCH BLACK ø 33 mm
3	1057542	SELECTOR SWITCH 0-2 POSITIONS 25A 690V
3	1057543	SELECTOR SWITCH 0-2 POSITIONS 32A 690V
3	1319001	SELECTOR SWITCH 0-1 POSITIONS 20A 690V
4	1320531	PRESSURE SWITCH P302/6 3-POLES 30A
5	1320531	PRESSURE SWITCH P302/6 3-POLES 30A
6	1320541	PRESSURE SWITCH PARKER
9	1341311	LEVEL REGULATOR RL/1E/2C/F 230/240V
9	1341603	LEVEL REGULATOR RL/1E/2C/F 115V
15	1319492	WHITE SINGLE-POLE PUSH-BUTTON 16A 250V
16	3319016	BIPOLAR SWITCH RED 16A 250V
16	3319019	BIPOLAR SWITCH RED 16A 250V
16	3319931	BIPOLAR SWITCH WHITE 16A 250V
17	3319501	PUSH-BUTTON PROTECTION CAP
18	1221111	RED INDICATOR LAMP 220V
20	1240841	MICROSWITCH 15A 250V
21	1054010	DOSER CONTROL BOX 1-2-3 GROUPS 230V
21	5050256	DOSING CONTROL BOX 1-2-3 GROUPS 120V
24	1054012	DOSER CONTROL BOX 1-3 GROUPS 230V
24	1054300	DOSER CONTROL BOX 1-2-3 GROUPS 230V
28	1320546	PRESSURE SWITCH XP110 125 0.5-1.2 bar1/8
29	1054571	LEVEL REGULATOR RL01E/1S/4C/F 240V
29	1341312	DOSER CONTROL BOX 1 GROUP 230V

EXPERT-CM.COM.UA



ELECTRICAL SYSTEM CONCEPT





WEGA



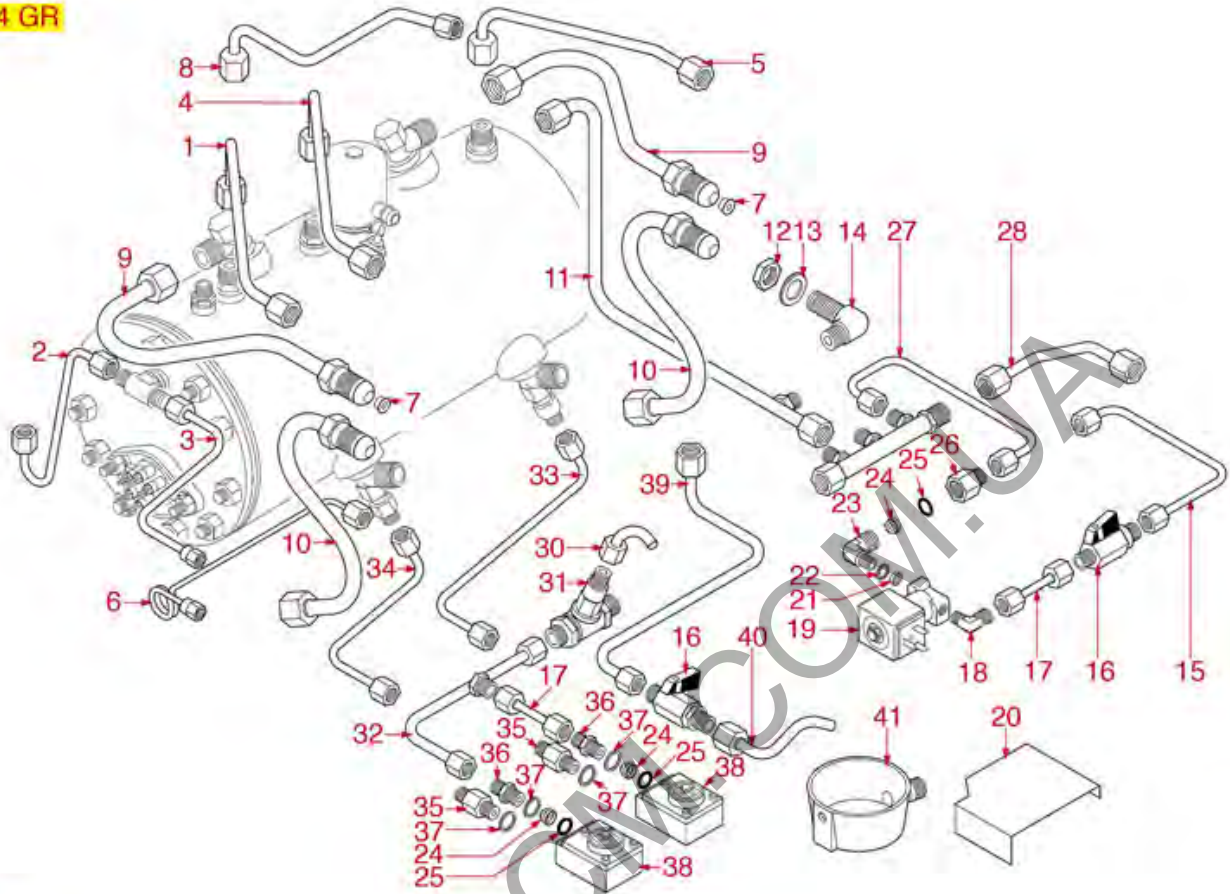
Position	LF code no.	Description
7	3319296	BLACK BIPOLAR SWITCH 16A 250V
8	3319501	PUSH-BUTTON PROTECTION CAP
12	1444509	THREE-PHASE THERMOSTAT 169°C
19	1320018	PRESSURE SW.MBS1900 0/16 bar 4.5/5.5VDC
24	1351020	STATIC RELAY RM1A60A50 50A 600V
30	1454004	CONTACTOR ABB B7-40-00
31	1050022	10 POLES FLAT CABLE 1350 mm
34	1390119	ELECTRONIC CIRCUIT BOARD CPU

EXPERT-CM.COM.UA

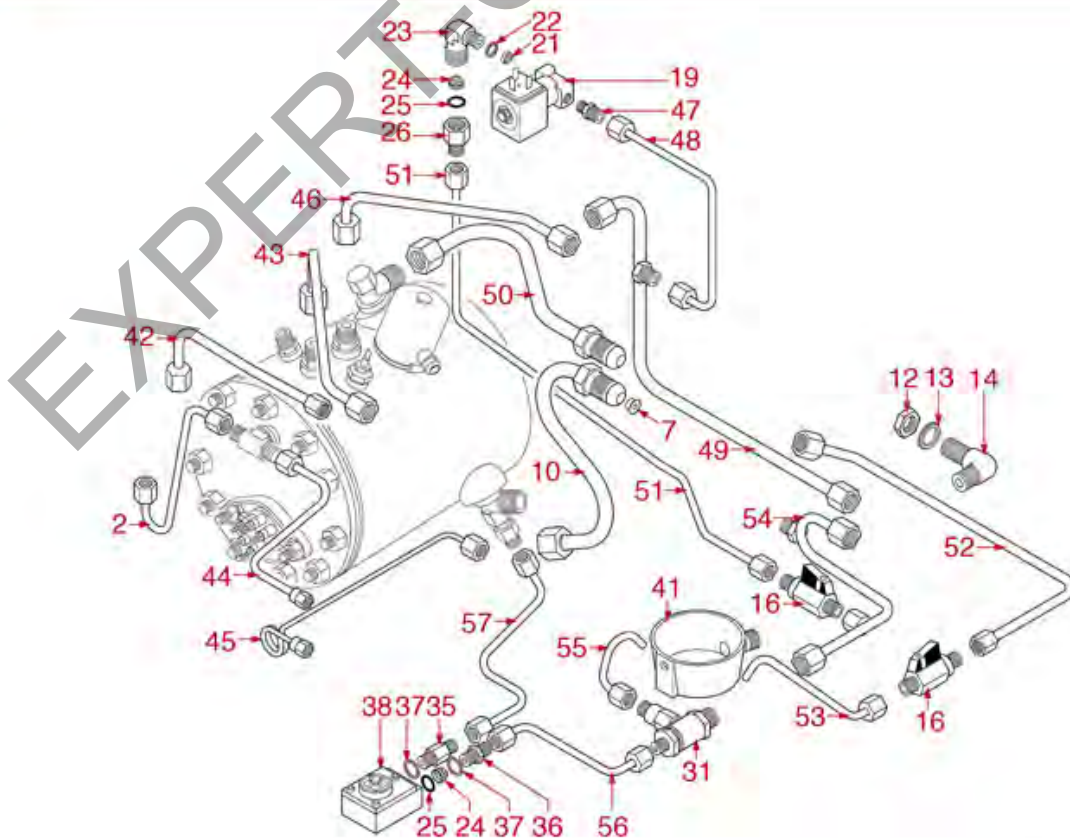


HYDRAULIC SYSTEM STANDARD 1-2-3-4 GR

2-3-4 GR



1 GR





WEGA



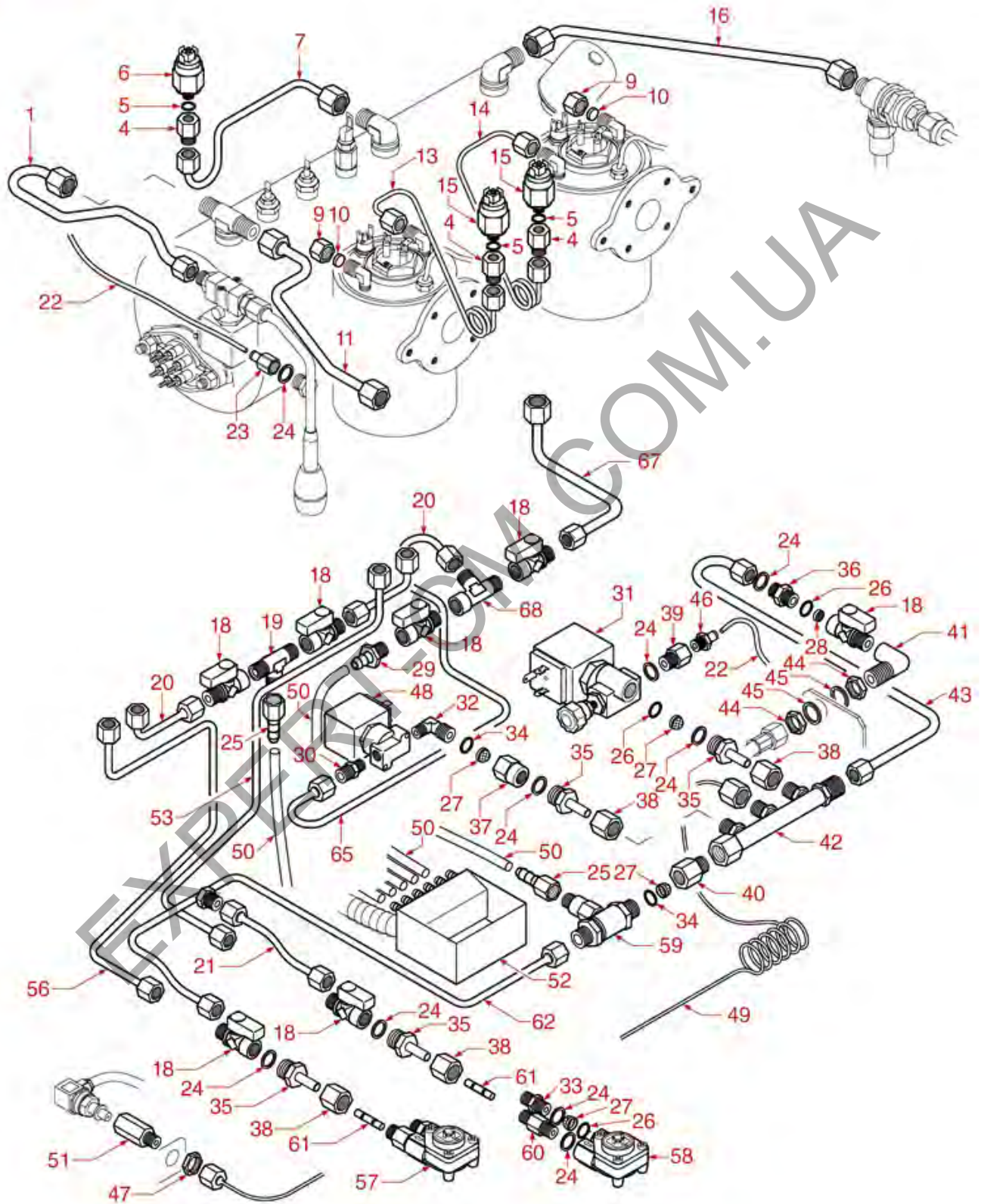
Position	LF code no.	Description
12	1349042	BRASS NUT \varnothing 3/8"
13	1186446	BRASS WASHER \varnothing 28x17x2 mm FLAT
16	5048593	SPHERE VALVE \varnothing 1/4"mm
18	1349079	L- FITTING \varnothing 1/4"M 1/8"M
19	1120355	2-WAY SOLENOID VALVE PARKER 230V 50/60Hz
21	1160566	STAINLESS STEEL WATER FILTER \varnothing 8 mm
22	1186771	COPPER FLAT GASKET \varnothing 8,5x5x1 mm
24	1160400	WATER FILTER \varnothing 11 mm
25	1186422	O-RING 0108 EPDM
31	1523403	EXPANSION AND NON-RETURN VALVE
36	1349102	FITTING \varnothing 1/4"M-1/4"M
37	1186619	COPPER FLAT GASKET \varnothing 18x14x1.5 mm
38	1455067	VOLUMETRIC FLOW METER GICAR
41	1527504	DRAIN TUB \varnothing 80 mm
47	1349111	FITTING \varnothing 1/8"M 1/4"M

EXPERT-CM.COM.UA



HYDRAULIC SYSTEM CONCEPT

CONCEPT



WE3901

Positions without LF code no.: upon request



WEGA



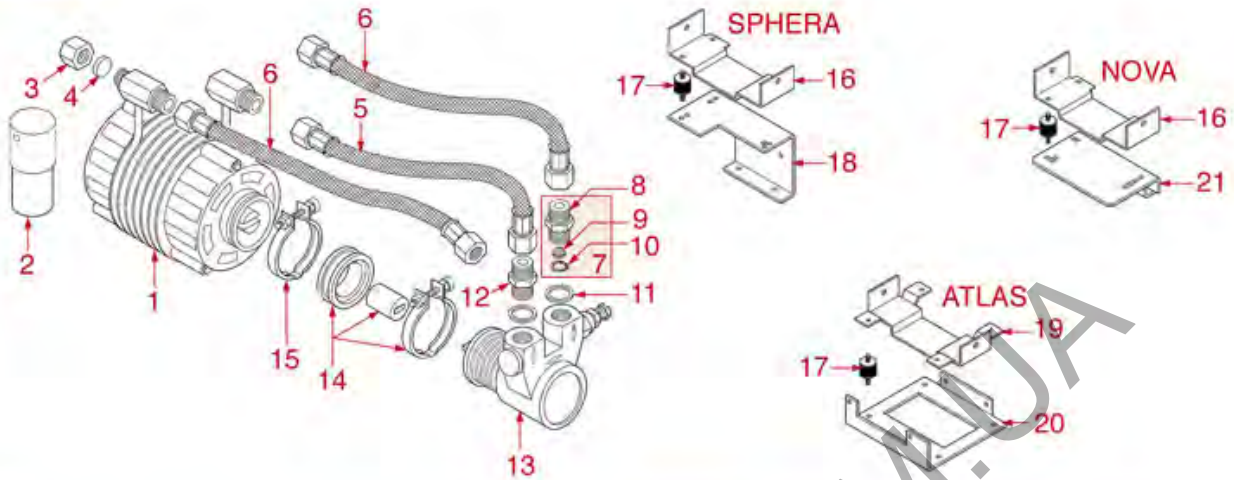
Position	LF code no.	Description
6	1320019	PRESSURE SWITCH ES31 1.5 BAR \varnothing 1/8"M
9	1439021	CAP \varnothing 1/4"F HEIGHT 16 mm NUT 17 mm
15	1320020	PRESSURE SWITCH ES31 2 BAR \varnothing 1/8"M
18	1525002	BALLCOCK VALVE \varnothing 1/4"M-1/4"F
19	3349340	NICHEL-PL.T-FITTING \varnothing 1/4"M-1/4"M-1/4"M
22	1449500	PTFE PIPE \varnothing 2x4 mm - 10 m
24	1186619	COPPER FLAT GASKET \varnothing 18x14x1.5 mm
26	1186717	O-RING 02031 VITON
27	1160400	WATER FILTER \varnothing 11 mm
28	1160566	STAINLESS STEEL WATER FILTER \varnothing 8 mm
30	1349111	FITTING \varnothing 1/8"M 1/4"M
31	1120248	SOLENOID VALVE ODE 2 WAYS \varnothing 1/4" 230V
33	1349102	FITTING \varnothing 1/4"M-1/4"M
34	1186422	O-RING 0108 EPDM
36	1349112	FITTING \varnothing 1/4"M-3/8"M
44	1349042	BRASS NUT \varnothing 3/8"
45	1186446	BRASS WASHER \varnothing 28x17x2 mm FLAT
48	1120355	2-WAY SOLENOID VALVE PARKER 230V 50/60Hz
52	1527041	DRAIN TUB
58	1455067	VOLUMETRIC FLOW METER GICAR
59	1523403	EXPANSION AND NON-RETURN VALVE

EXPERT-CM.COM.UA

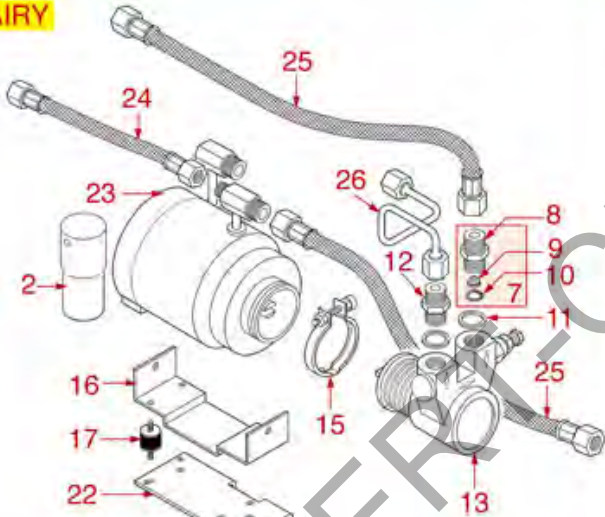


MOTORS AND PUMPS

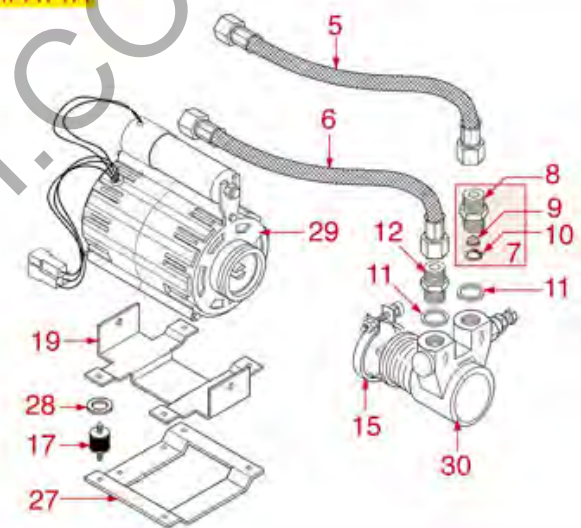
STANDARD



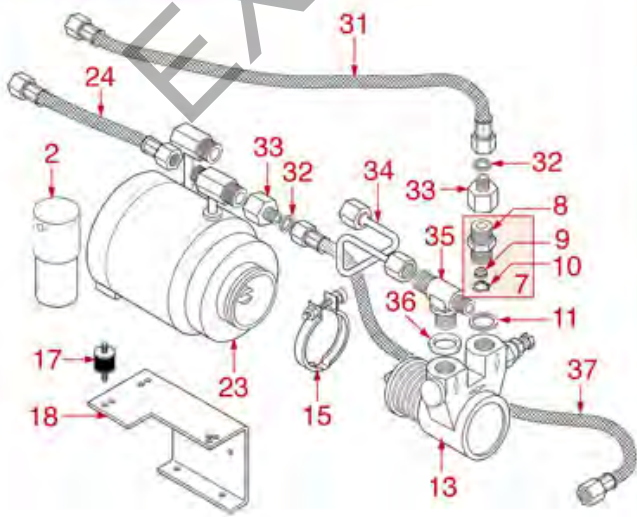
AIRY



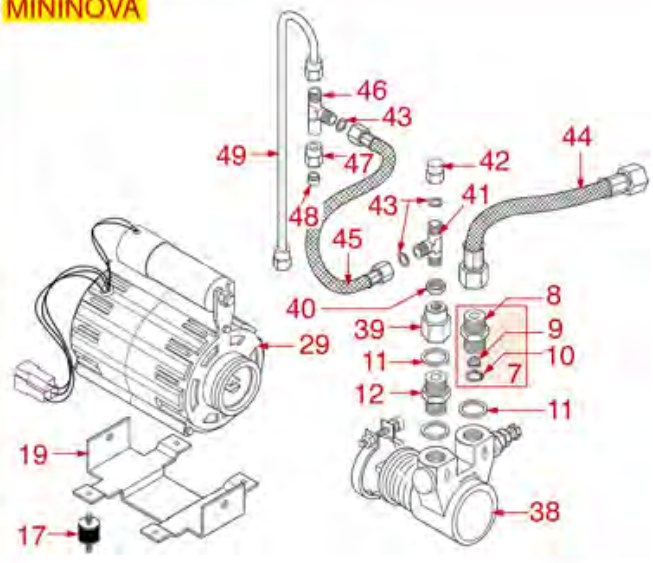
COMPATTA



JUNIOR-COMBINOVA



MININOVA





WEGA



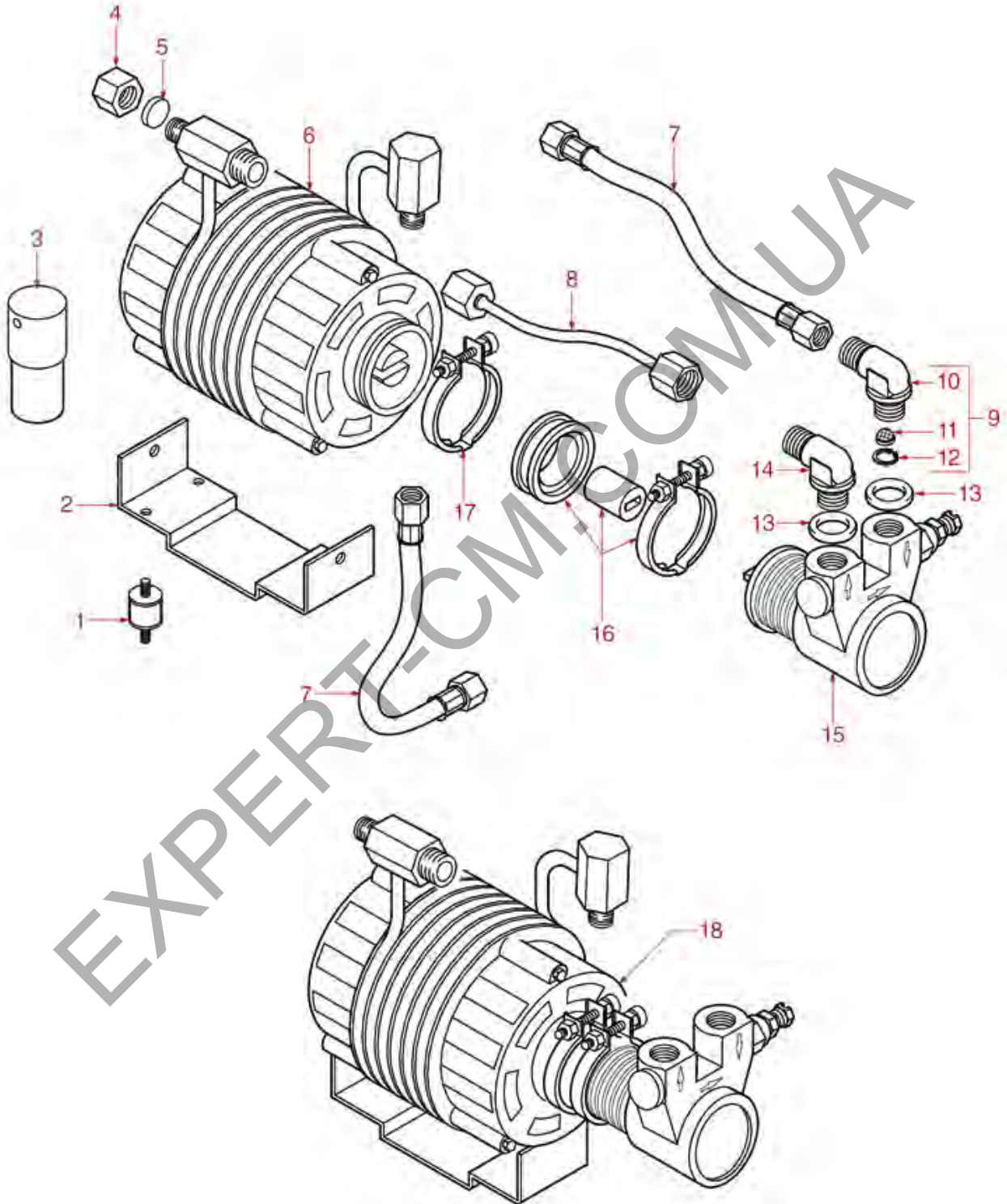
Position	LF code no.	Description
1	1240606	RPM CLAMP MOTOR 310W
1	1240607	RPM MOTOR WITH CLAMP CONNECTION 330W 230
2	3068016	CAPACITOR DUCATI ENERGIA 10 μ F
3	1439021	CAP \varnothing 1/4" F HEIGHT 16 mm NUT \varnothing 17 mm
5	1449710	FLEX HOSE \varnothing 3/8" Fp x Fc 300 mm
6	1449711	FLEX HOSE \varnothing 3/8" Fp x Fc 500 mm
7	1349082	BRASS FITTING \varnothing 3/8" M 3/8" M WITH FILTER
8	1349202	FITTING 3/8M-3/8M
9	1160400	WATER FILTER \varnothing 11 mm
10	1002004	CIRCLIP J-9
11	1186620	COPPER FLAT GASKET \varnothing 22x17x1.5 mm
12	1349103	FITTING \varnothing 3/8" M-3/8" M
13	1330012	ROTARY VANE PUMP PROCON \varnothing 3/8" NPT
13	1330026	ROTARY VANE PUMP ROTOFLOW \varnothing 3/8" GAS
14	1191006	MOTOR COUPLING KIT
15	1168011	STAINLESS STEEL CLAMP FOR FLANGE PUMP
17	1313002	ANTI VIBRATION SUPPORT \varnothing 15x15 mm M4
23	1240607	RPM MOTOR WITH CLAMP CONNECTION 330W 230
23	1240608	MOTOR ZECCHIN 120V 60Hz
25	1449711	FLEX HOSE \varnothing 3/8" Fp x Fc 500 mm
29	1240610	RPM MOTOR WITH CLAMP CONNECTION 120W 230
30	1330001	ROTARY VANE PUMP ROTOFLOW \varnothing 3/8" NPT
31	1449709	FLEX HOSE \varnothing 1/8" Fp x Fp 600 mm
32	1186042	ASBESTOS FREE FLAT GASKET \varnothing 9x5x1 mm
33	1349131	FITTING \varnothing 1/8" M-3/8" F
35	1349086	T SHAPED BRASS FITTING \varnothing 3/8"-3/8"-1/4"
36	1186186	ROUND COPPER GASKET \varnothing 23x17x3 mm
38	1330021	ROTARY VANE PUMP ROTOFLOW \varnothing 3/8" GAS
40	1348035	NUT \varnothing 1/8"
43	1186042	ASBESTOS FREE FLAT GASKET \varnothing 9x5x1 mm
44	1449725	FLEX HOSE \varnothing 3/8" Fc x Fc 1500 mm
45	1449708	FLEX HOSE \varnothing 1/8" Fp x Fp 300 mm

EXPERT-COM.UA



MOTOR AND PUMP CONCEPT

CONCEPT





WEGA



Position	LF code no.	Description
1	1313002	ANTI VIBRATION SUPPORT \varnothing 15x15 mm M4
3	3068014	CAPACITOR DUCATI ENERGIA 8 μ F
4	1439021	CAP \varnothing 1/4" F HEIGHT 16 mm NUT 17 mm
6	1240607	RPM MOTOR WITH CLAMP CONNECTION 330W 230
7	1449711	FLEX HOSE \varnothing 3/8" Fp x Fc 500 mm
9	1349268	"L" FITTING \varnothing 3/8" M-3/8" M WITH FILTER
11	1160400	WATER FILTER \varnothing 11 mm
12	1002004	CIRCLIP J-9
13	1186186	ROUND COPPER GASKET \varnothing 23x17x3 mm
14	1349084	ELBOW FITTING \varnothing 3/8" M-3/8" M
15	1330012	ROTARY VANE PUMP PROCON \varnothing 3/8" NPT
16	1191006	MOTOR COUPLING KIT
17	1168011	STAINLESS STEEL CLAMP FOR FLANGE PUMP

EXPERT-CM.COM.UA