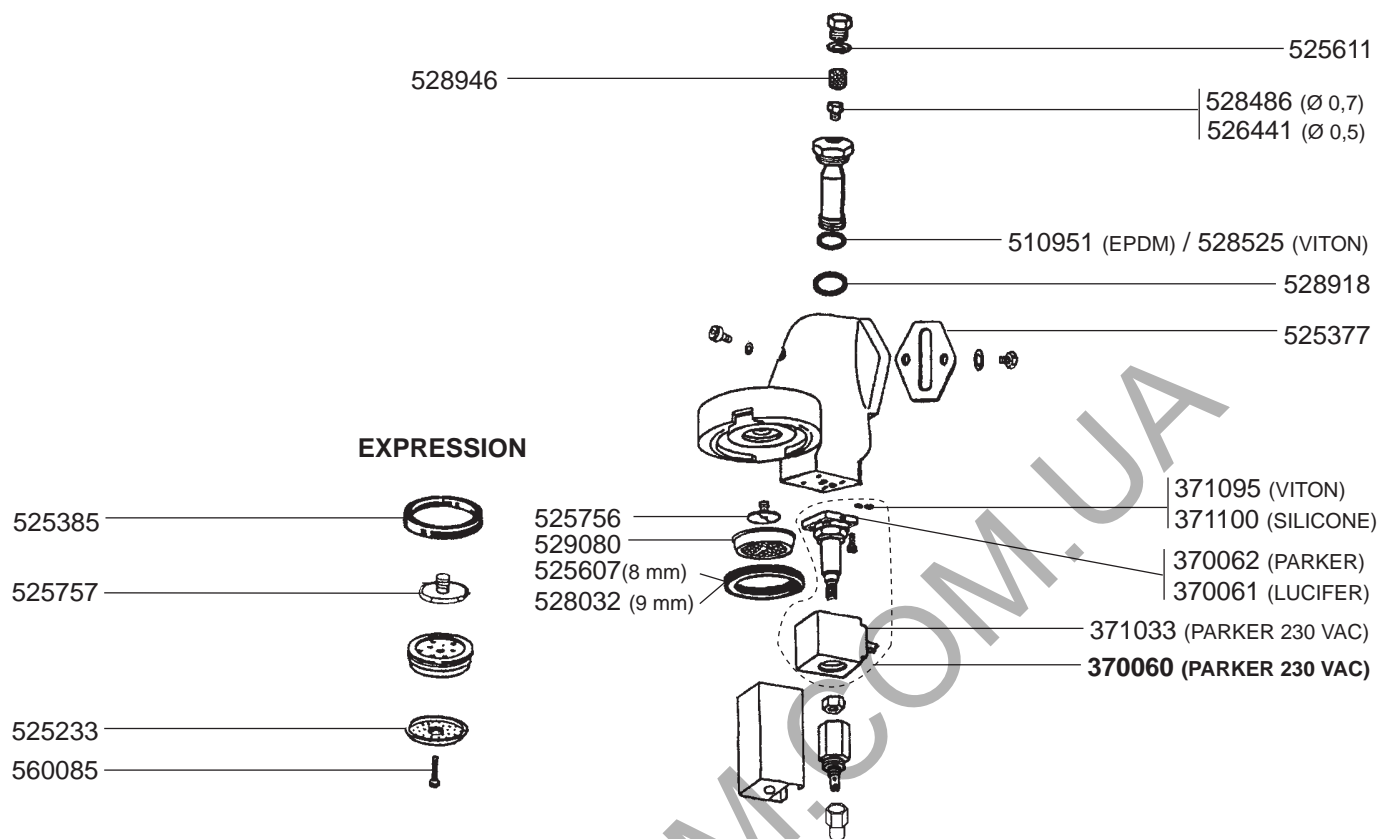
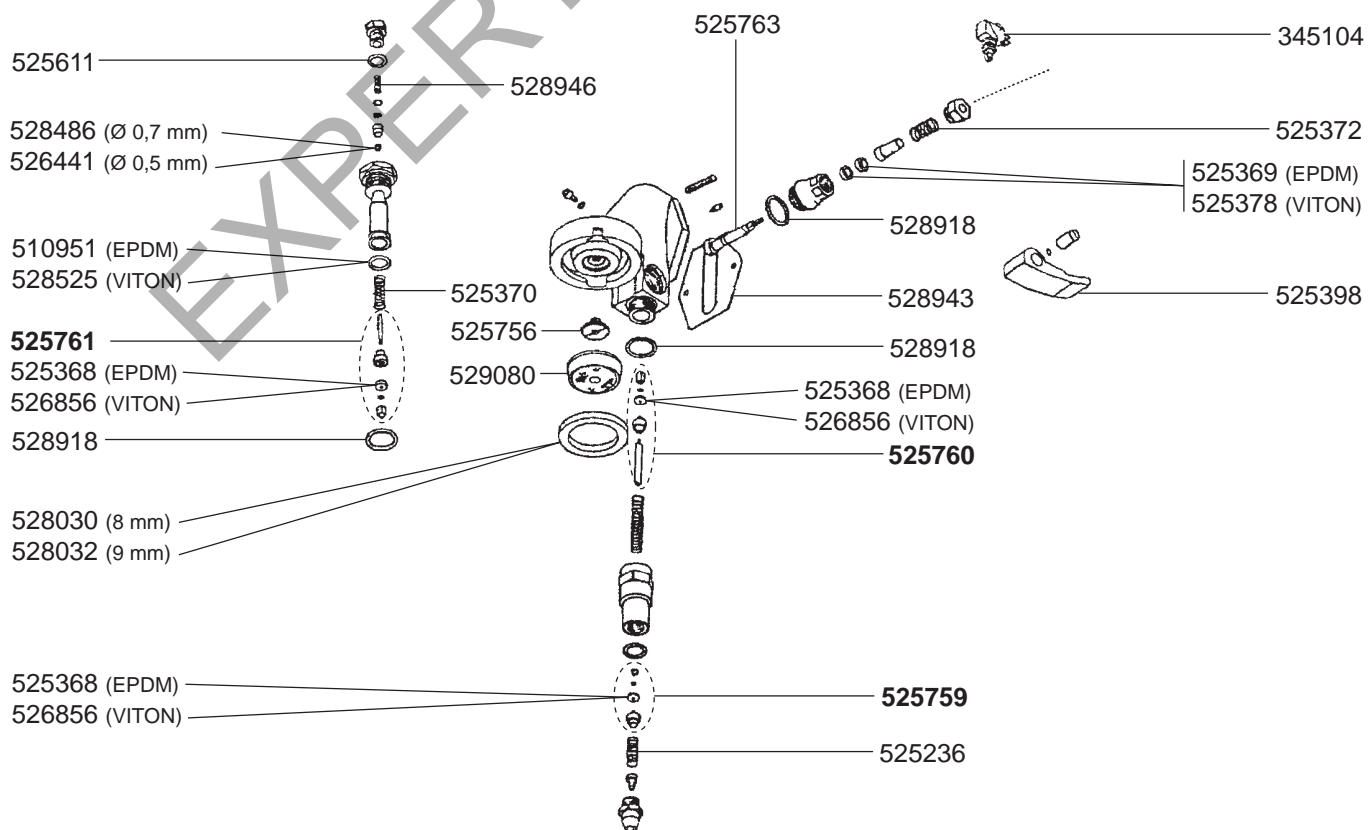


SOLENOID GROUP



MANUAL GROUP



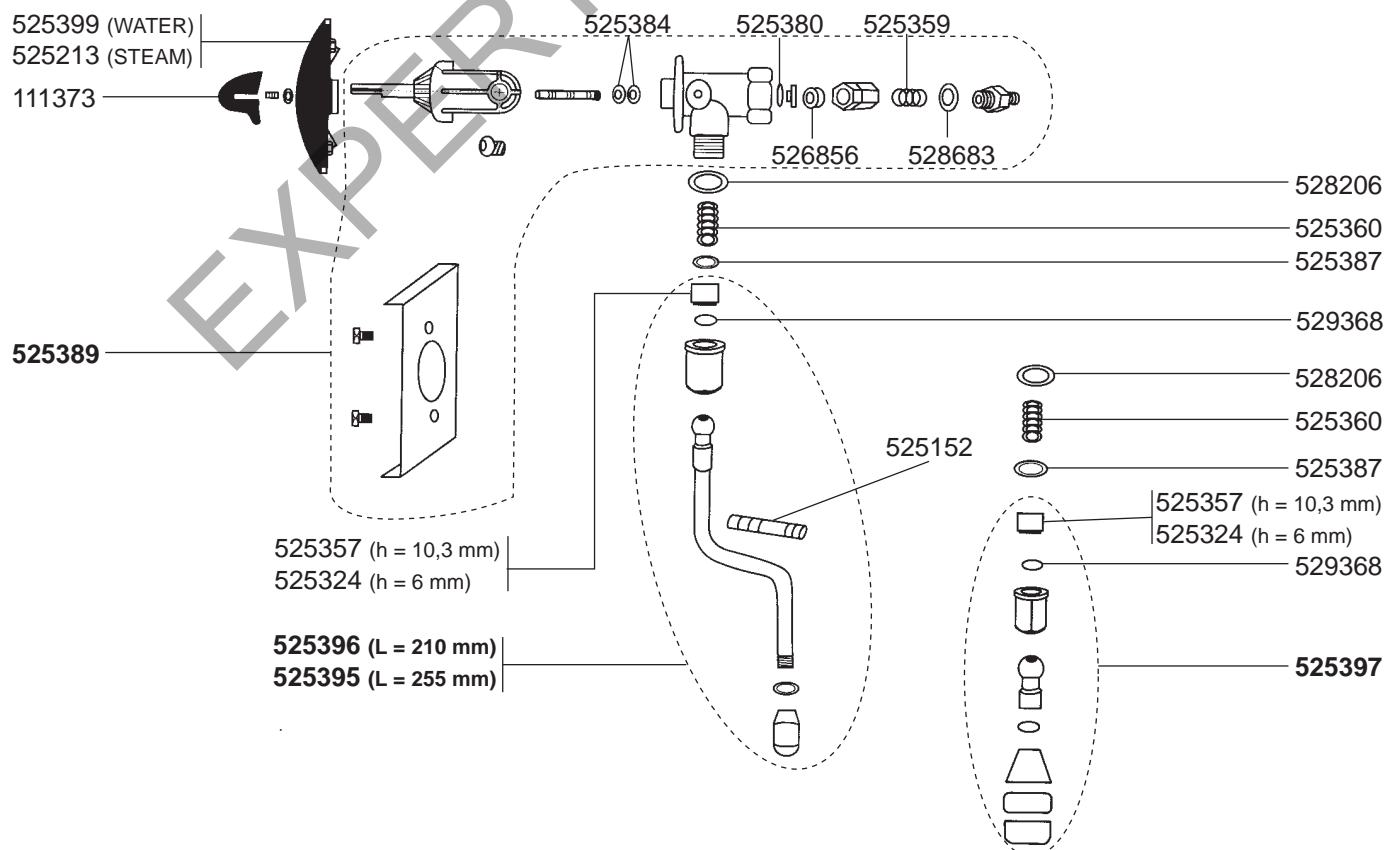
IBERITAL - ESPRESSO MACHINES

1
ESPRESSO MACHINES

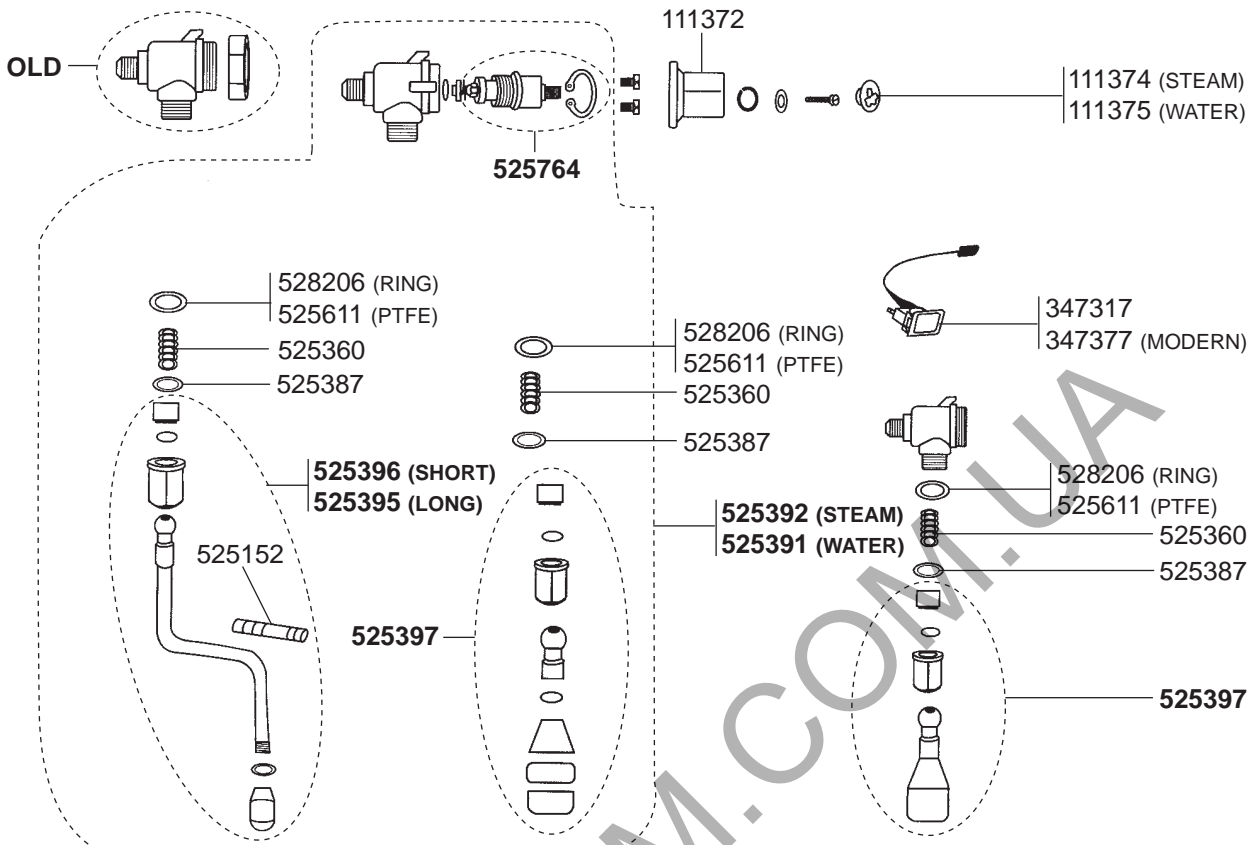
FILTER HOLDERS



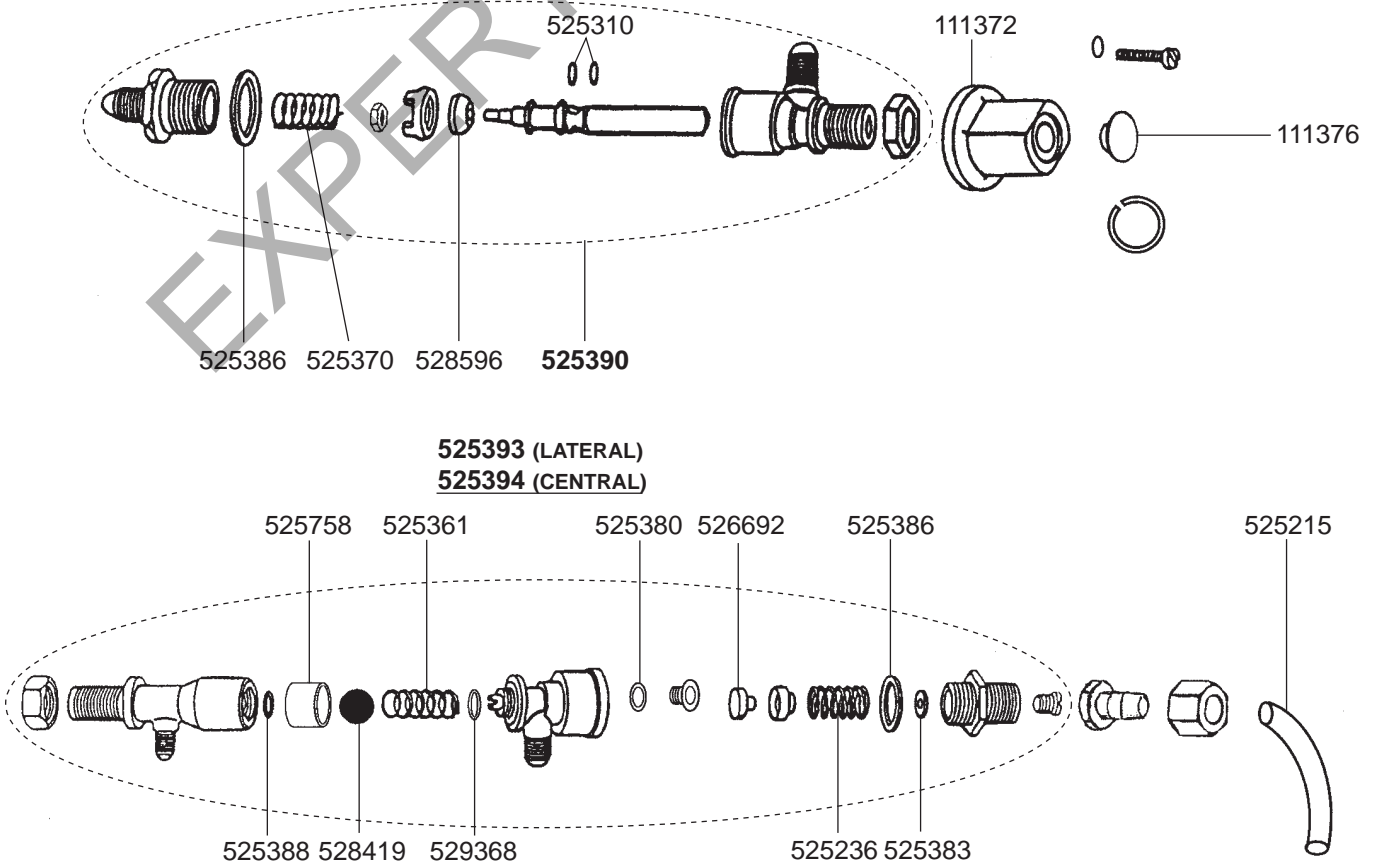
STEAM/WATER TAPS



STEAM/WATER TAPS



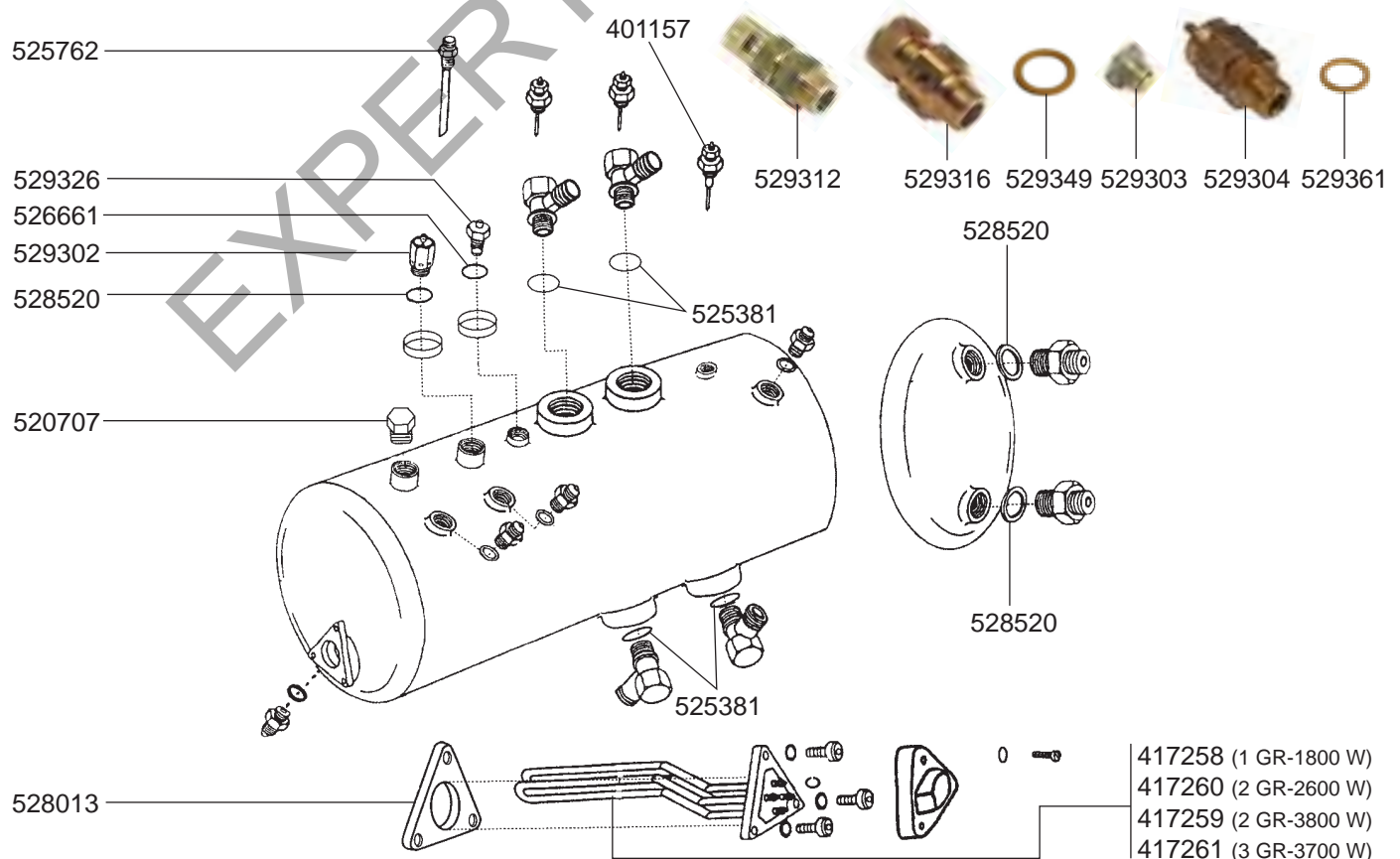
VALVES



LEVEL INDICATOR/MANOMETERS/DRIP TRAY



BOILER VARIOUS



ELECTRICAL COMPONENTS

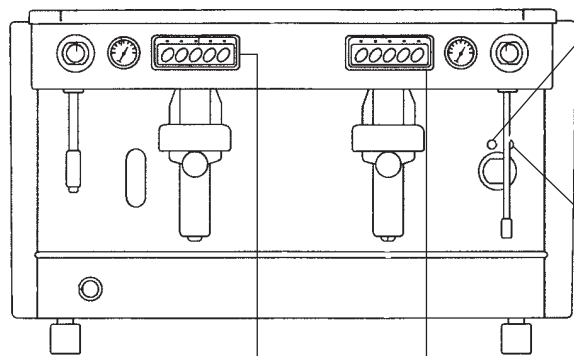
L'ANNA

345151



IBERITAL

345151



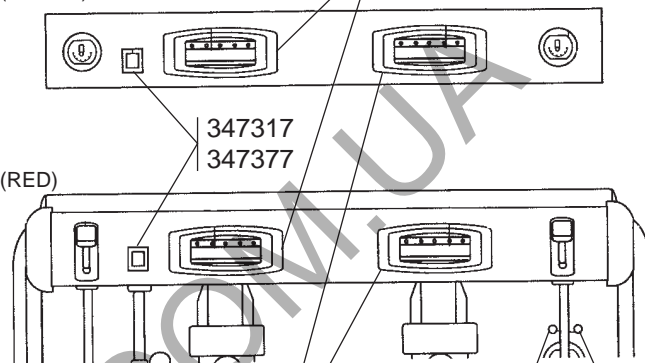
359139 (GREEN)

359138 (RED)

402636 (GICAR ref.9.5.27.62G)
402630 (GICAR ref.9.5.28.46G00)

402628 (GICAR REF.9.5.27.62G)
402629 (GICAR REF.9.5.28.46G00)

402624 (GICAR9.5.27.58G)
402626 (GICAR9.5.28.32G00)



347317
347377

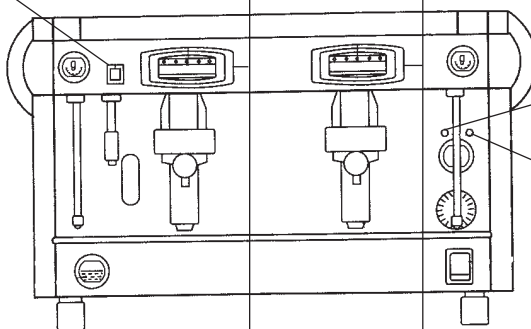
402625 (REF 9.5.27.56G) 359139 (GREEN) 359138 (RED)
402627 (REF 9.5.28.32G00)

ELECTRICAL COMPONENTS

MARLINC

347317 (OLD)
347377 (MODERN)

301002



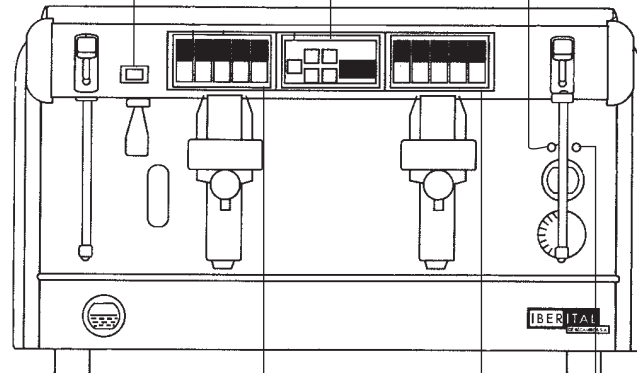
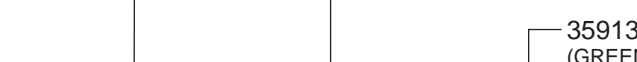
359139 (GREEN)

359138 (RED)

402624 (GICAR REF 9.5.27.58G) 402625 (GICAR REF 9.5.27.56G)
402626 (GICAR REF 9.5.28.32G00) 402627 (GICAR REF 9.5.28.32G00)

EXPRESSION

347317 (OLD) 402633 (GICAR ref.9.5.20.25G)
347377 (MODERN) 402634 (MEMBRANE)



359139 (GREEN)

359138 (RED)

402632 (GICAR ref.9.5.28.54G00) 402631 (GICAR ref.9.5.28.54G00)
525374 (MEMBRANE) 525374 (MEMBRANE)

ELECTRICAL COMPONENTS

EXPRESSION



400521



525376



370598

1 GR PORTABLE



541750



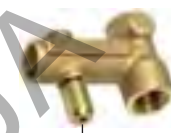
541104



400404
(L = 240 mm)
401363
(L = 110 mm)



499054



520250



402623 (GICAR ref.9.5.37.02G)



400226



380379



402568

ELECTRICAL COMPONENTS VARIOUS



400004



400256



400257



400258



541021
(SIRAI,
30 AMP,
3 POLES)



541724
(SIRAI,
20 AMP,
3 POLES)



541723
(SIRAI,
20 AMP,
2 POLES)



541453
(PARKER)



370057
(PARKER
230 VAC)



370062
(PARKER)



370206
(PARKER
230 VAC-1/8'')



371029
(PARKER
230 VAC)



371090



371095 (VITON)



400509 (RED)
402635 (SILVER)



380923 (25 A)
380924 (32 A)



380458 (20 A)
380922 (20 A)



400418
(GICAR REF. 9.1.40.23G00)



347379



347380 (0-1-2)
347378 (0-1-2-3)



390324 (3 POLES)
375898 (1 POLES)