



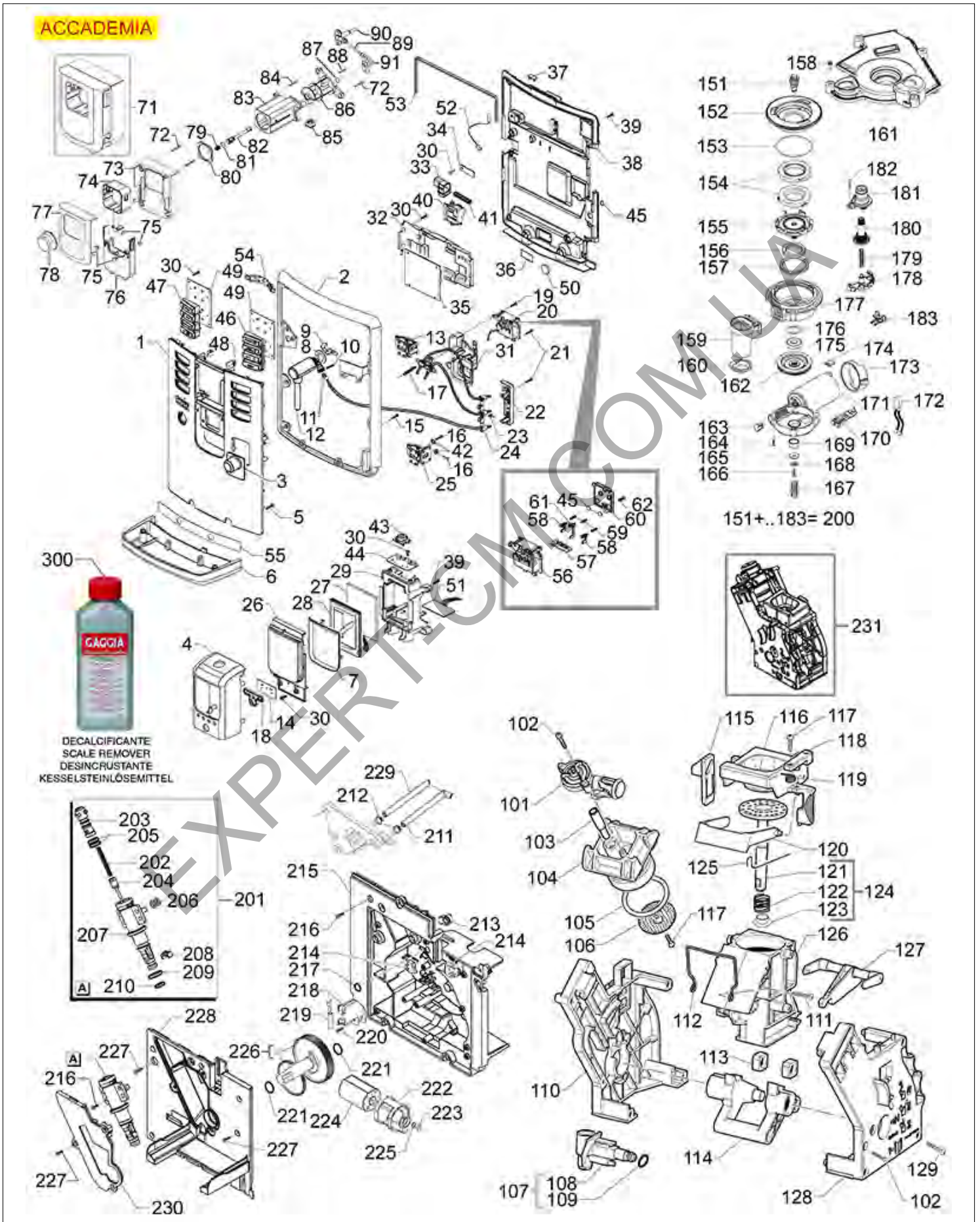
GAGGIA



| Position | LF code no. | Description |
|----------|-------------|---|
| 4 | 1319382 | BLACK BIPOLAR SWITCH 16A 250V |
| 6 | 1331021 | VIBRATORY PUMP HF 22W 230V 50Hz |
| 7 | 1331022 | SQUARE DAMPER HF |
| 10 | 1315008 | T-SHAPED HOSE END FITTING \varnothing 8 mm |
| 11 | 1449283 | SILICONE HOSE \varnothing 5x10 SHORE 60 - 100 m |
| 11 | 1449683 | SILICONE HOSE \varnothing 5x10 SHORE 60 - 10 m |
| 12 | 1349651 | PIPETTE FITTING 90° EX EP |
| 13 | 1331026 | VIBRATORY PUMP EP5GW 48W 230V 50Hz |
| 13 | 5062552 | PUMP VIBRATORY EAP5 52W 120V 60Hz |
| 16 | 1186411 | O-RING 02031 EPDM |
| 18 | 5060440 | VOLUMETRIC FLOW METERS 932-9521-B90 NSF |
| 20 | 1048031 | BOILER 1300W 230V |
| 20 | 5058557 | BOILER SLIM 1300W 230V |
| 23 | 5036417 | PROBE TEMPERATURE NTC BOILER |
| 24 | 1443083 | CONTACT THERMOSTAT 175°C |
| 24 | 5071524 | CONTACT THERMOSTAT 190°C |
| 25 | 5035467 | HOSE CLAMP \varnothing 7.8-9.5 mm |
| 26 | 1449510 | WIRE HOSE \varnothing 8.2x4.2 mm SH60 - 5 m |
| 33 | 3449404 | DOUBLE-WIRE CLAMP 8.8-9.3 - 100 PCS |
| 41 | 5061494 | COIL FOR DRAIN SOLENOID VALVE 230V |
| 42 | 5060776 | FITTING FOR DRAIN VALVE |
| 45 | 1160001 | INLET PASS-THROUGH FILER |
| 51 | 5061227 | CONTAINER FOR WATER |
| 53 | 5008685 | GASKET ORM 0190-10 EPDM |
| 54 | 1160026 | WATER FILTER |
| 55 | 5008675 | ORM GASKET 0060-30 BLACK SILICONE |
| 56 | 5073339 | SPRING INOX \varnothing 10x19 mm |
| 57 | 5033028 | VALVE INLET FOR WATER CONTAINER |
| 59 | 1186844 | GASKET GREY COVER |
| 60 | 1186700 | LIP SEAL \varnothing 23x15x6 mm |
| 61 | 5029644 | GASKET HOLDER |
| 62 | 1786111 | ORM GASKET 0080-20 TERMOIL |
| 74 | 1188005 | WATER LEVEL FLOAT |
| 83 | 1384009 | CLEANING BRUSH |
| 84 | 1180002 | GREASE LUBRICANT 5 g |
| 85 | 5050501 | DESCALING CARTRIDGE FILTER |
| 87 | 1050019 | POWER SUPPLY CABLE 16A 250V 2000 mm |
| 118 | 5077451 | DRIP TRAY BLACK |
| 151 | 5077222 | MILK JUG |
| 163 | 1449282 | SILICONE HOSE \varnothing 5x8 SHORE 60 - 100 m |
| 163 | 1449682 | SILICONE HOSE \varnothing 5x8 SHORE 60 - 10 m |
| 300 | 5069083 | SCALE REMOVER GAGGIA 250 ml |



COFFEE MACHINE MOD. ACCADEMIA



Positions without LF code no.: upon request



GAGGIA

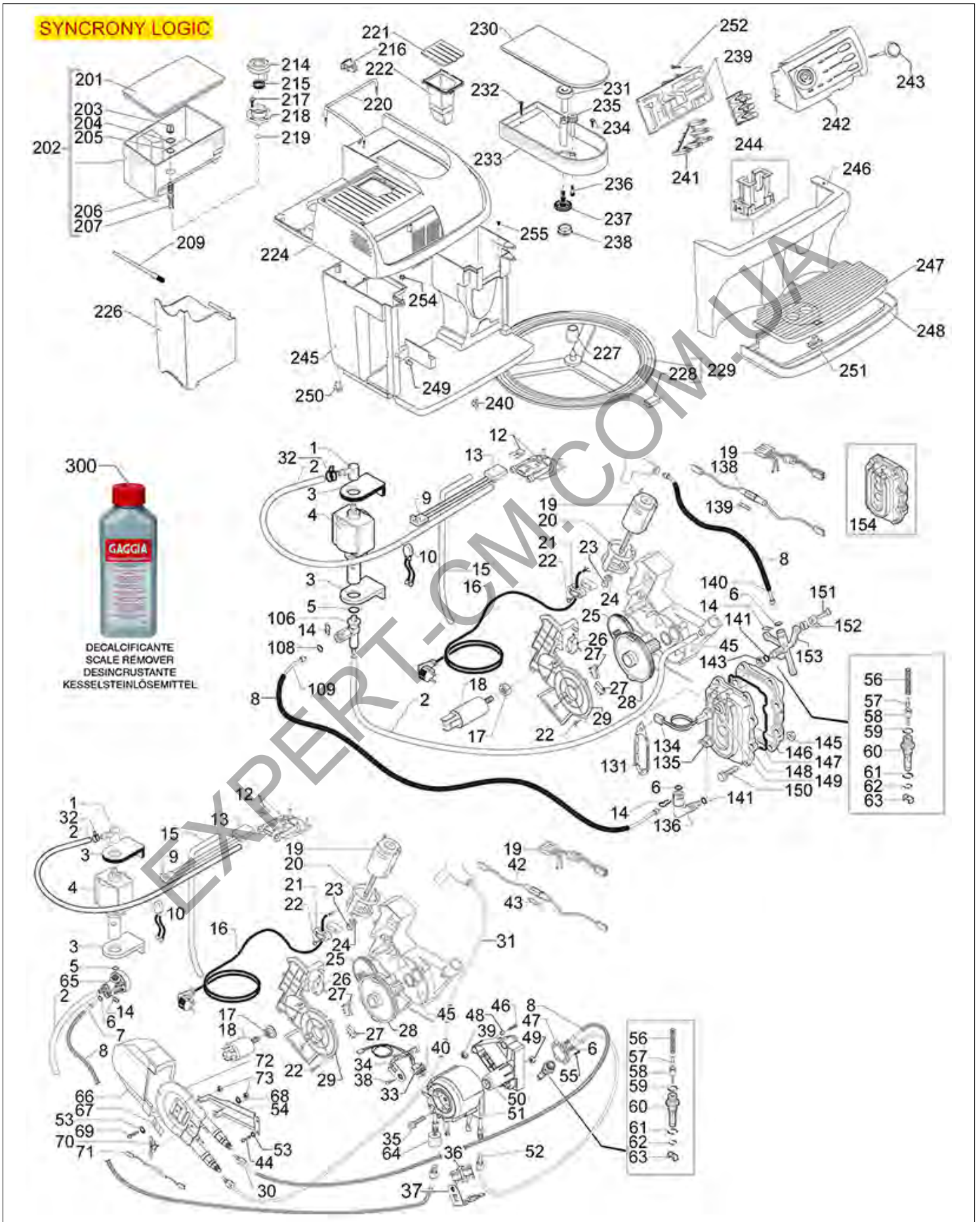


| Position | LF code no. | Description |
|----------|-------------|---|
| 10 | 1250241 | FORK SPRING FOR PIPE \varnothing 4 mm |
| 11 | 1186514 | O-RING 02015 SILICON |
| 13 | 5059121 | UPPER HINGE |
| 25 | 5059122 | LOWER HINGE |
| 81 | 1186252 | O-RING 0040-20 EPDM |
| 89 | 1449282 | SILICONE HOSE \varnothing 5x8 SHORE 60 - 100 m |
| 89 | 1449682 | SILICONE HOSE \varnothing 5x8 SHORE 60 - 10 m |
| 101 | 5058528 | VALVE FOR DELIVERY GROUP |
| 103 | 5063244 | PIPE COUNTER-PISTON GROUP |
| 104 | 5063245 | COUNTERPISTON FOR COFFEE GROUP 8 g |
| 105 | 1186862 | ORM GASKET 0320-40 SILICONE |
| 106 | 5070066 | SHOWER SCREEN \varnothing 35.8 mm |
| 107 | 5067819 | TUBING FOR WATER INLET BLACK |
| 109 | 3243139 | O-RING 02025 EPDM |
| 112 | 1250369 | SPRING FOR SMOOTHING 49 mm |
| 115 | 5071535 | PLATELET GROUP HOOKING |
| 116 | 5059828 | HOPPER BLACK FOR COFFEE GROUP |
| 119 | 5060579 | SPRING FOR GROUP HOPPER SMART |
| 122 | 5073717 | SPRING \varnothing 14x28 mm FOR PISTON GROUP |
| 123 | 5073718 | PISTON BUSHING \varnothing 16,8/11x5,5 mm |
| 124 | 1086054 | PISTON BOTTOM \varnothing 39,5 mm |
| 125 | 5059829 | SPRING FOR SMOOTHING 44 mm |
| 126 | 5072594 | COFFEE-CONTAINER FOR GROUP \varnothing 39,5 mm |
| 153 | 5062671 | GASKET ORM 0530-15 NBR |
| 154 | 1251146 | CERAMIC GRINDING BURRS (PAIR) LEFT |
| 155 | 1251152 | GRINDING BURRS BOTTOM HOLDER |
| 156 | 5062672 | BEARING AXIAL \varnothing 35x25x4 mm |
| 157 | 5062673 | GASKET FLAT FELT \varnothing 45x39x4 mm |
| 159 | 1090039 | COFFEE DOSER OUTLET CONVEYOR ASSY |
| 162 | 1212024 | GEAR \varnothing 52 mm 38 TOOTH |
| 171 | 5030350 | COFFEE GRINDER MOTOR 230VDC |
| 174 | 7101458 | PC BOARD SENSOR HAL 506 SF-K |
| 175 | 5071780 | BEARING 6900 RS |
| 201 | 1192038 | WATER INLET VALVE |
| 202 | 1250901 | SPRING \varnothing 4x29 mm |
| 204 | 1324911 | PISTON ASSEMBLY |
| 205 | 1186867 | GASKET O-RING 0060-20 SILICONE RED |
| 206 | 1186514 | O-RING 02015 SILICON |
| 208 | 1192911 | VALVE REGULATOR |
| 209 | 1186647 | O-RING M 0090-20 RED SILICONE |
| 210 | 1186648 | O-RING M 0050-20 RED SILICONE |
| 212 | 3449406 | DOUBLE-WIRE CLAMP 11-11.6 - 100 PCS |
| 214 | 1240401 | MICROSWITCH SAIA-BURGESS |
| 224 | 7102191 | GEARMOTOR FOR BREW GROUP |
| 226 | 5033759 | KIT GEARINGS FOR GEARMOTOR V2 |
| 229 | 1449283 | SILICONE HOSE \varnothing 5x10 SHORE 60 - 100 m |
| 229 | 1449683 | SILICONE HOSE \varnothing 5x10 SHORE 60 - 10 m |
| 231 | 5064999 | BREW GROUP 8 g |
| 300 | 5069083 | SCALE REMOVER GAGGIA 250 ml |



COFFEE MACHINE MOD. SYNCRONY LOGIC

SYNCRONY LOGIC



Positions without LF code no.: upon request



GAGGIA

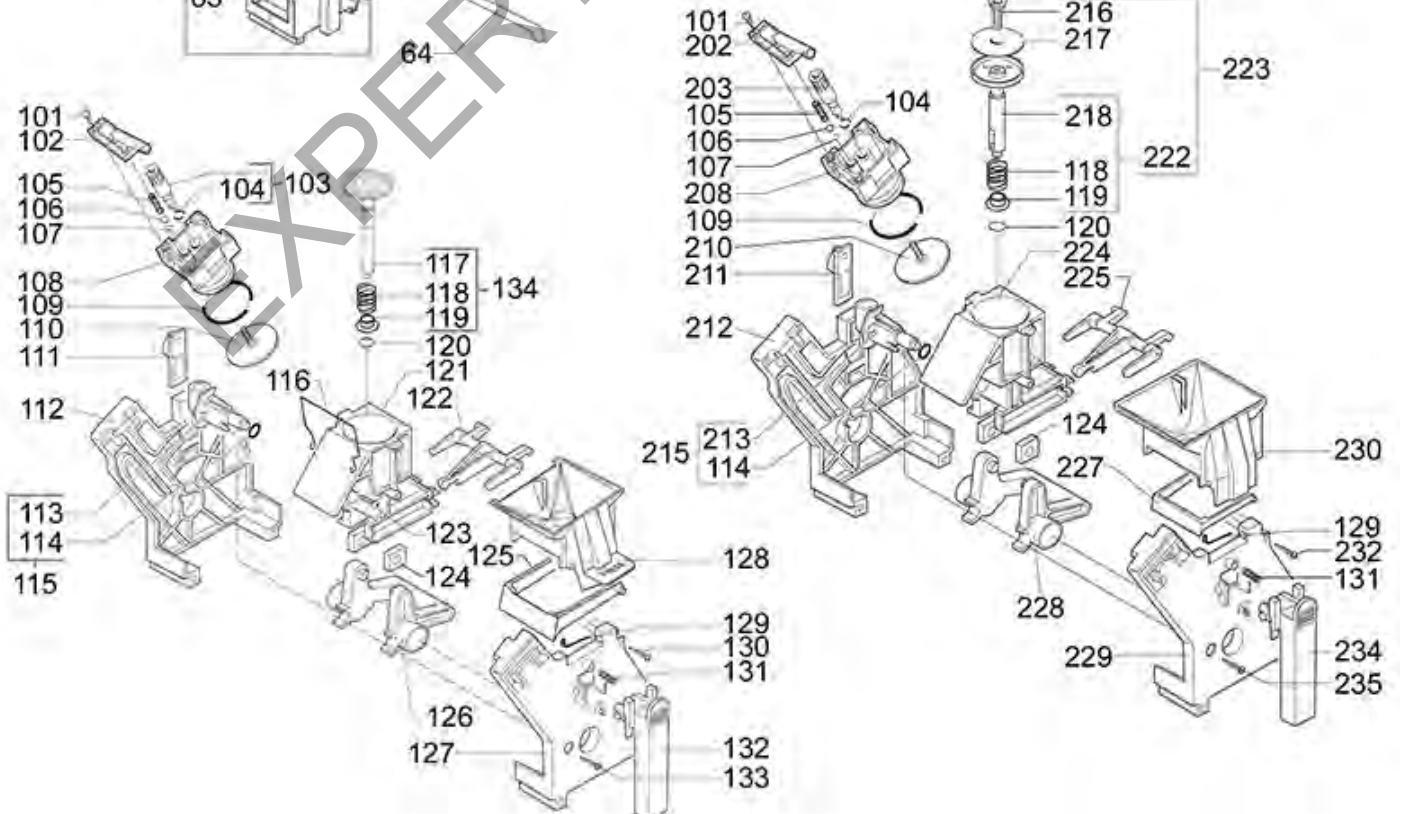
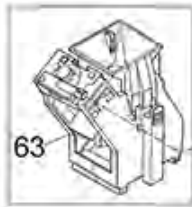
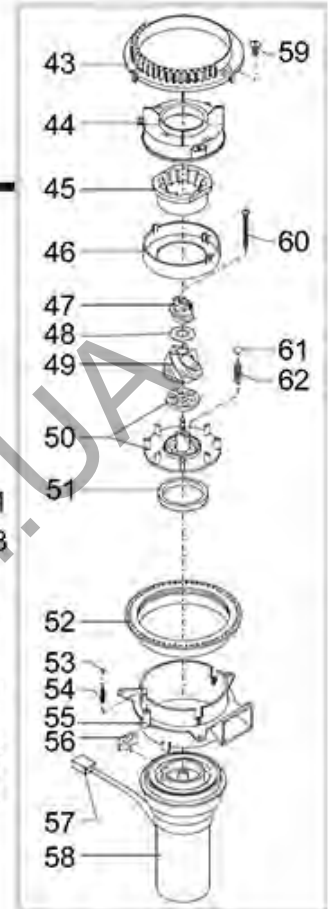
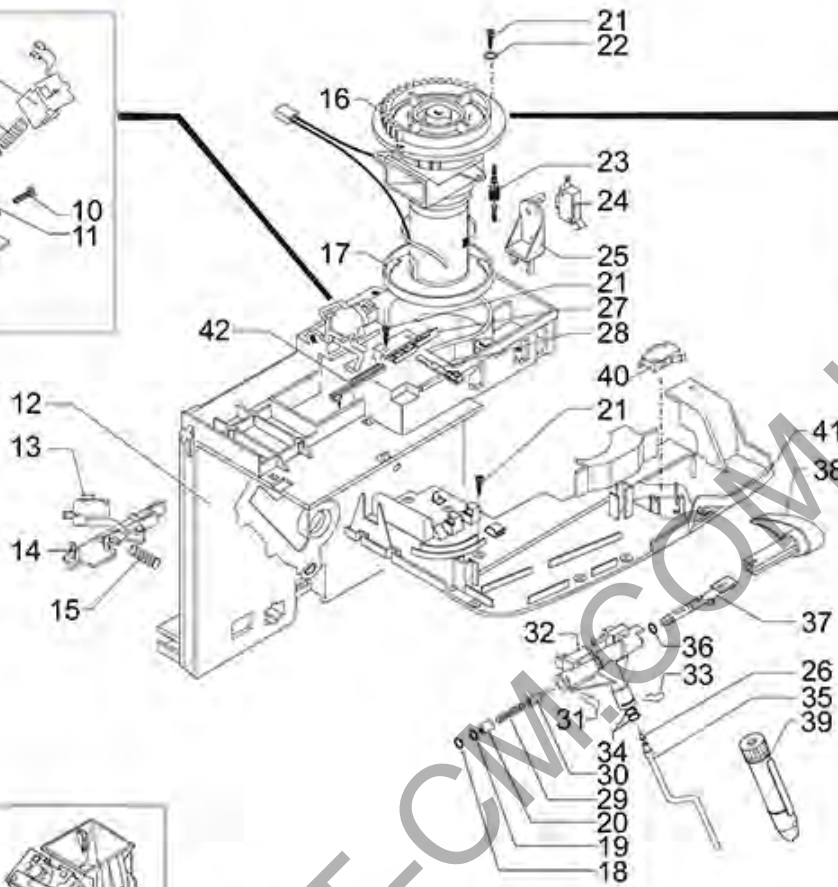


| Position | LF code no. | Description |
|----------|-------------|---------------------------------------|
| 1 | 1349651 | PIPETTE FITTING 90° EX EP |
| 2 | 1449282 | SILICONE HOSE ø 5x8 SHORE 60 - 100 m |
| 2 | 1449682 | SILICONE HOSE ø 5x8 SHORE 60 - 10 m |
| 3 | 1331023 | SQUARE DAMPER EX-EP-EK-EA |
| 4 | 1331026 | VIBRATORY PUMP EP5GW 48W 230V 50Hz |
| 4 | 2102265 | VIBRATION PUMP EP5 41W 120V 60Hz |
| 5 | 1186411 | O-RING 02031 EPDM |
| 6 | 1186514 | O-RING 02015 SILICON |
| 7 | 5061228 | PIPING SAFETY BOILER-VALVE |
| 12 | 1411003 | VOLUMETRIC FLOW METER |
| 14 | 1250241 | FORK SPRING FOR PIPE ø 4 mm |
| 15 | 1449283 | SILICONE HOSE ø 5x10 SHORE 60 - 100 m |
| 15 | 1449683 | SILICONE HOSE ø 5x10 SHORE 60 - 10 m |
| 19 | 5086238 | GEARMOTOR FOR DELIVERY GROUP |
| 25 | 1212015 | GEAR ø 60/11 mm 90/12 TEETH |
| 26 | 5025968 | MICROSWITCH SAIA X3M4 6(3)A 250V |
| 27 | 1240401 | MICROSWITCH SAIA-BURGESS |
| 28 | 1212013 | GEAR ø 82 mm 108 TEETH |
| 33 | 5060183 | TEMPERATURE PROBE CALDAIA |
| 36 | 1443040 | CONTACT THERMOSTAT 175°C (16A) |
| 51 | 5025969 | BOILER 1100/437W 230V |
| 56 | 1250901 | SPRING ø 4x29 mm |
| 57 | 1324901 | VALVE PIN |
| 58 | 1324911 | PISTON ASSEMBLY |
| 59 | 1186852 | RED SILICONE O-RING ORM 0080-20 |
| 60 | 1324902 | PIN FOR VALVE |
| 61 | 1186647 | O-RING M 0090-20 RED SILICONE |
| 62 | 1186648 | O-RING M 0050-20 RED SILICONE |
| 63 | 1192911 | VALVE REGULATOR |
| 65 | 1523052 | EXPANSION VALVE ø 1/8" M 16 bar |
| 70 | 5067822 | THERMOSTAT A CONTATTO 175°C M4 |
| 106 | 1120029 | SAFETY VALVE FOR VIBRATORY PUMP |
| 108 | 1186014 | O-RING 02015 EPDM |
| 135 | 1443040 | CONTACT THERMOSTAT 175°C (16A) |
| 141 | 1186861 | O-RING 02018 RED SILICONE |
| 147 | 1186845 | BOILER GASKET RED SILICONE |
| 203 | 1160026 | WATER FILTER |
| 204 | 5008685 | GASKET ORM 0190-10 EPDM |
| 205 | 5008675 | ORM GASKET 0060-30 BLACK SILICONE |
| 206 | 5073339 | SPRING INOX ø 10x19 mm |
| 207 | 5033028 | VALVE INLET FOR WATER CONTAINER |
| 209 | 1384009 | CLEANING BRUSH |
| 214 | 1186844 | GASKET GREY COVER |
| 215 | 1186700 | LIP SEAL ø 23x15x6 mm |
| 218 | 5029644 | GASKET HOLDER |
| 219 | 1786111 | ORM GASKET 0080-20 TERMOIL |
| 238 | 5500857 | GASKET COFFEE CONTAINER |
| 244 | 5023944 | BLACK COFFEE SPOUT |
| 300 | 5069083 | SCALE REMOVER GAGGIA 250 ml |



COFFEE MACHINE MOD. SYNCRONY LOGIC

SYNCRONY LOGIC



Positions without LF code no.: upon request



GAGGIA



| Position | LF code no. | Description |
|----------|-------------|--|
| 7 | 1240209 | MICROSWITCH SAIA-BURGESS XCC5-81 |
| 18 | 1186014 | O-RING 02015 EPDM |
| 19 | 1186014 | O-RING 02015 EPDM |
| 29 | 1250238 | SPRING \varnothing 4x21 mm |
| 30 | 1324911 | PISTON ASSEMBLY |
| 31 | 1250241 | FORK SPRING FOR PIPE \varnothing 4 mm |
| 32 | 1348091 | STEAM TAP |
| 34 | 1786322 | GASKET ORM 0060-20 TERMOIL |
| 36 | 1186996 | O-RING R3 EPDM |
| 37 | 1348097 | STEAM TAP PIN |
| 39 | 5500801 | BLACK PLASTIC STEAM SPRINKLER |
| 44 | 5037711 | BURR-HOLDER UPPER |
| 46 | 5501330 | COVER FOR UPPER BURR |
| 47 | 1324131 | INCREMENT PIN |
| 49 | 1251098 | GRINDER BURRS COUPLE CON.SAECO/GAGGIA RH |
| 49 | 1251199 | CONICAL GRIND.BURRS PAIR SAECO/GAGGIA RH |
| 50 | 5033030 | BURR-HOLDER LOWER |
| 58 | 1240211 | COFFEE GRINDER MOTOR 230VDC |
| 63 | 5500639 | COFFEE GROUP M5000 |
| 103 | 1192067 | PIN FOR SHOWER |
| 104 | 1186854 | O-RING EPDM R5 |
| 105 | 1250237 | CONICAL SPRING \varnothing 7/4x35 mm |
| 106 | 1192023 | GLASS BALL \varnothing 5 mm FOR GROUP |
| 107 | 1186675 | O-RING GASKET M 0080-15 EPDM |
| 108 | 1192033 | PISTON BLOCK FOR COFFEE GROUP GREY |
| 109 | 1186862 | ORM GASKET 0320-40 SILICONE |
| 110 | 5047532 | SHOWER SCREEN \varnothing 35.8 mm |
| 114 | 3243139 | O-RING 02025 EPDM |
| 115 | 5067819 | TUBING FOR WATER INLET BLACK |
| 116 | 1250369 | SPRING FOR SMOOTHING 49 mm |
| 118 | 5073717 | SPRING \varnothing 14x28 mm FOR PISTON GROUP |
| 119 | 5073718 | PISTON BUSHING \varnothing 16,8/11x5,5 mm |
| 120 | 1786074 | ORM 0090-25 EPDM |
| 121 | 5072594 | COFFEE-CONTAINER FOR GROUP \varnothing 39,5 mm |
| 129 | 5059829 | SPRING FOR SMOOTHING 44 mm |
| 131 | 5500664 | SPRING \varnothing 3.8x16 mm GROUP HANDLE |
| 134 | 1086054 | PISTON BOTTOM \varnothing 39,5 mm |
| 202 | 1192025 | COFFEE OUTLET HOSE GREY |
| 208 | 1192033 | PISTON BLOCK FOR COFFEE GROUP GREY |
| 210 | 1081059 | SHOWER SCREEN \varnothing 35.8 mm |
| 213 | 1192026 | WATER INLET HOSE GREY |
| 215 | 1192912 | SLEEVE REPLACEMENT GROUP GREY |
| 217 | 1081028 | SHOWER SCREEN \varnothing 35.5 mm |
| 224 | 1192021 | COFFEE HOPPER FOR GREY GROUP |
| 234 | 1192066 | GREY HANDLE |

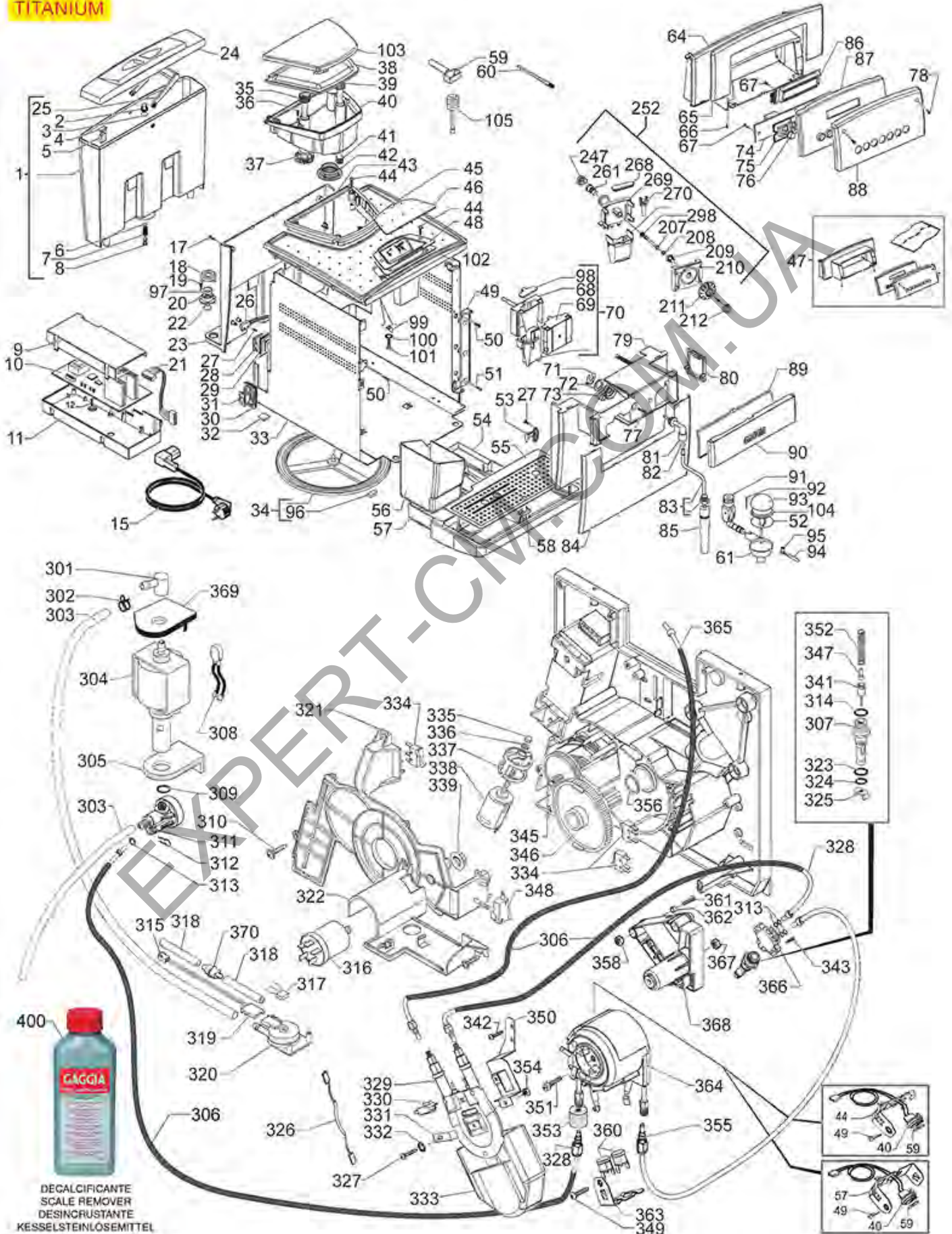


GAGGIA



COFFEE MACHINE MOD. TITANIUM

TITANIUM



Positions without LF code no.: upon request



GAGGIA

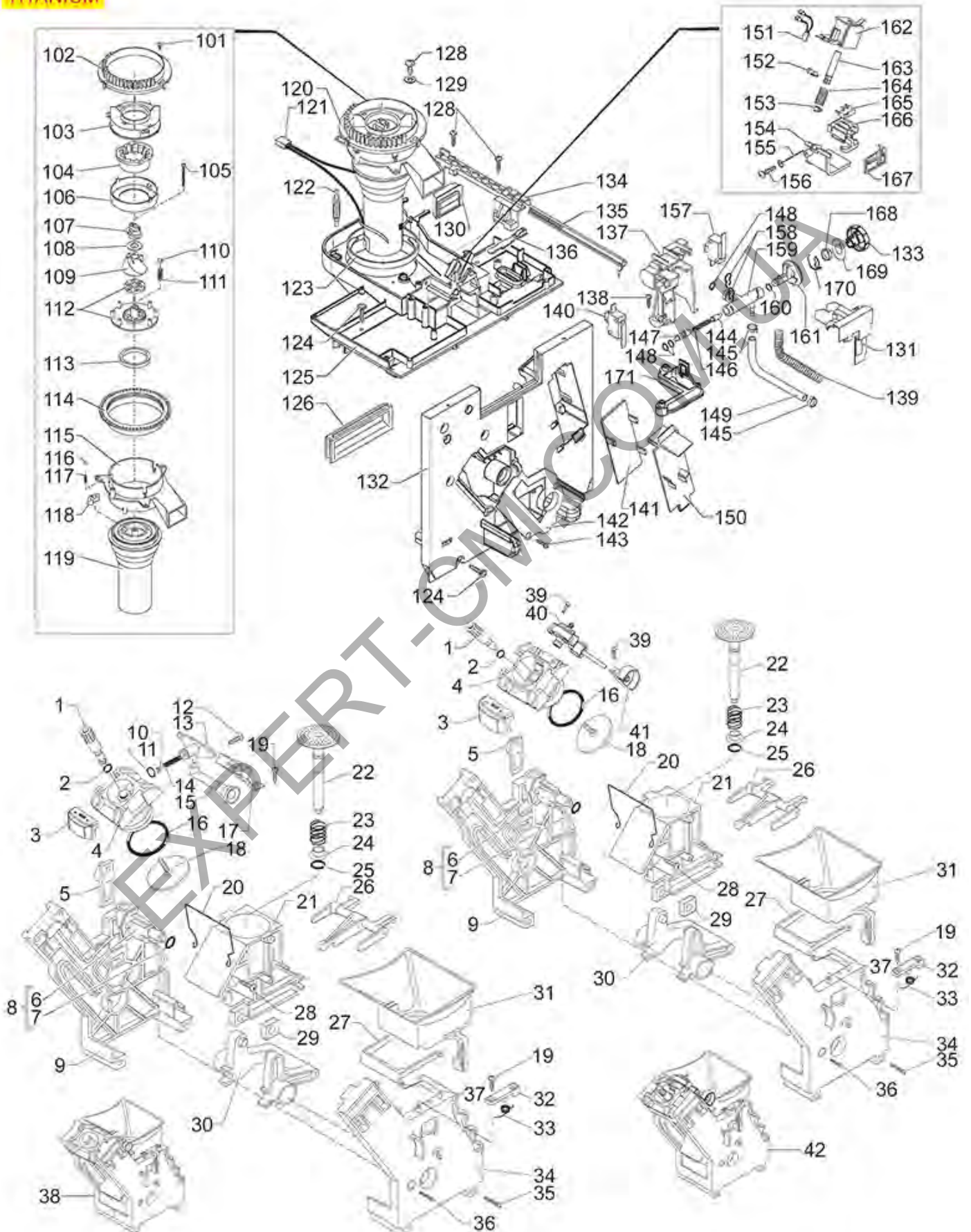


| Position | LF code no. | Description |
|----------|-------------|--|
| 1 | 5049853 | CONTAINER FOR WATER |
| 2 | 1160026 | WATER FILTER |
| 3 | 5008685 | GASKET ORM 0190-10 EPDM |
| 5 | 1201050 | MAGNETIC LEVEL FLOAT |
| 6 | 5008675 | ORM GASKET 0060-30 BLACK SILICONE |
| 7 | 5073339 | SPRING INOX \varnothing 10x19 mm |
| 8 | 5033028 | VALVE INLET FOR WATER CONTAINER |
| 15 | 1050019 | POWER SUPPLY CABLE 16A 250V 2000 mm |
| 18 | 1186844 | GASKET GREY COVER |
| 20 | 5029644 | GASKET HOLDER |
| 22 | 1786111 | ORM GASKET 0080-20 TERMOIL |
| 26 | 1240195 | MICROSWITCH MAGNETIC |
| 31 | 1319382 | BLACK BIPOLAR SWITCH 16A 250V |
| 32 | 1313022 | ADHESIVE FOOT 20x20 mm |
| 40 | 1080173 | COFFEE HOPPER |
| 57 | 1527029 | DRIP TRAY SILVER |
| 58 | 1201020 | WATER LEVEL FLOAT |
| 60 | 1384009 | CLEANING BRUSH |
| 63 | 5018567 | SELF-TAPPING SCREW \varnothing 2.9x9.5 mm |
| 70 | 5038343 | SPOUT MOBILE |
| 71 | 5071472 | FORKSPRING INTERNAL \varnothing 11 mm |
| 82 | 3243139 | O-RING 02025 EPDM |
| 85 | 5047884 | STAINLESS STEEL STEAM SPRINKLER |
| 86 | 1390100 | ELECTRONIC BOARD FOR DISPLAY |
| 92 | 1079015 | PIN FOR MILK FROTHER |
| 94 | 1449279 | SILICONE HOSE \varnothing 3,5x6 SHORE 60 - 100 m |
| 94 | 1449679 | SILICONE HOSE \varnothing 3,5x6 SHORE 60 - 10 m |
| 97 | 1186700 | LIP SEAL \varnothing 23x15x6 mm |
| 103 | 5049854 | LID FOR COFFEE BEANS HOPPER |
| 298 | 1186252 | O-RING 0040-20 EPDM |
| 301 | 1349651 | PIPETTE FITTING 90° EX EP |
| 302 | 3449404 | DOUBLE-WIRE CLAMP 8.8-9.3 - 100 PCS |
| 303 | 1449282 | SILICONE HOSE \varnothing 5x8 SHORE 60 - 100 m |
| 303 | 1449682 | SILICONE HOSE \varnothing 5x8 SHORE 60 - 10 m |
| 304 | 1331026 | VIBRATORY PUMP EP5GW 48W 230V 50Hz |
| 304 | 2102265 | VIBRATION PUMP EP5 41W 120V 60Hz |
| 305 | 1331023 | SQUARE DAMPER EX-EP-EK-EA |
| 307 | 1324902 | PIN FOR VALVE |
| 309 | 1186014 | O-RING 02015 EPDM |
| 311 | 1523052 | EXPANSION VALVE \varnothing 1/8" M 16 bar |
| 312 | 1250241 | FORK SPRING FOR PIPE \varnothing 4 mm |
| 313 | 1186514 | O-RING 02015 SILICON |
| 314 | 1186852 | RED SILICONE O-RING ORM 0080-20 |
| 318 | 1449283 | SILICONE HOSE \varnothing 5x10 SHORE 60 - 100 m |
| 318 | 1449683 | SILICONE HOSE \varnothing 5x10 SHORE 60 - 10 m |
| 320 | 1411003 | VOLUMETRIC FLOW METER |
| 323 | 1186647 | O-RING M 0090-20 RED SILICONE |
| 324 | 1186648 | O-RING M 0050-20 RED SILICONE |
| 325 | 1192911 | VALVE REGULATOR |
| 328 | 5061228 | PIPING SAFETY BOILER-VALVE |
| 329 | 1755130 | BOILER 1000W 230V |
| 330 | 5067822 | THERMOSTAT A CONTATTO 175°C M4 |
| 334 | 1240401 | MICROSWITCH SAIA-BURGESS |
| 338 | 7102191 | GEARMOTOR FOR BREW GROUP |
| 340 | 5060183 | TEMPERATURE PROBE CALDAIA |
| 341 | 1324911 | PISTON ASSEMBLY |
| 345 | 1212015 | GEAR \varnothing 60/11 mm 90/12 TEETH |
| 346 | 1212012 | GEAR \varnothing 82 mm 108 TEETH |
| 347 | 1324901 | VALVE PIN |
| 352 | 1250901 | SPRING \varnothing 4x29 mm |
| 360 | 1443040 | CONTACT THERMOSTAT 175°C (16A) |
| 364 | 5025969 | BOILER 1100/437W 230V |
| 365 | 5062713 | PIPING BOILER-GROUP |
| 370 | 1160001 | INLET PASS-THROUGH FILER |
| 400 | 5069083 | SCALE REMOVER GAGGIA 250 ml |



COFFEE MACHINE MOD. TITANIUM

TITANIUM



Positions without LF code no.: upon request



GAGGIA



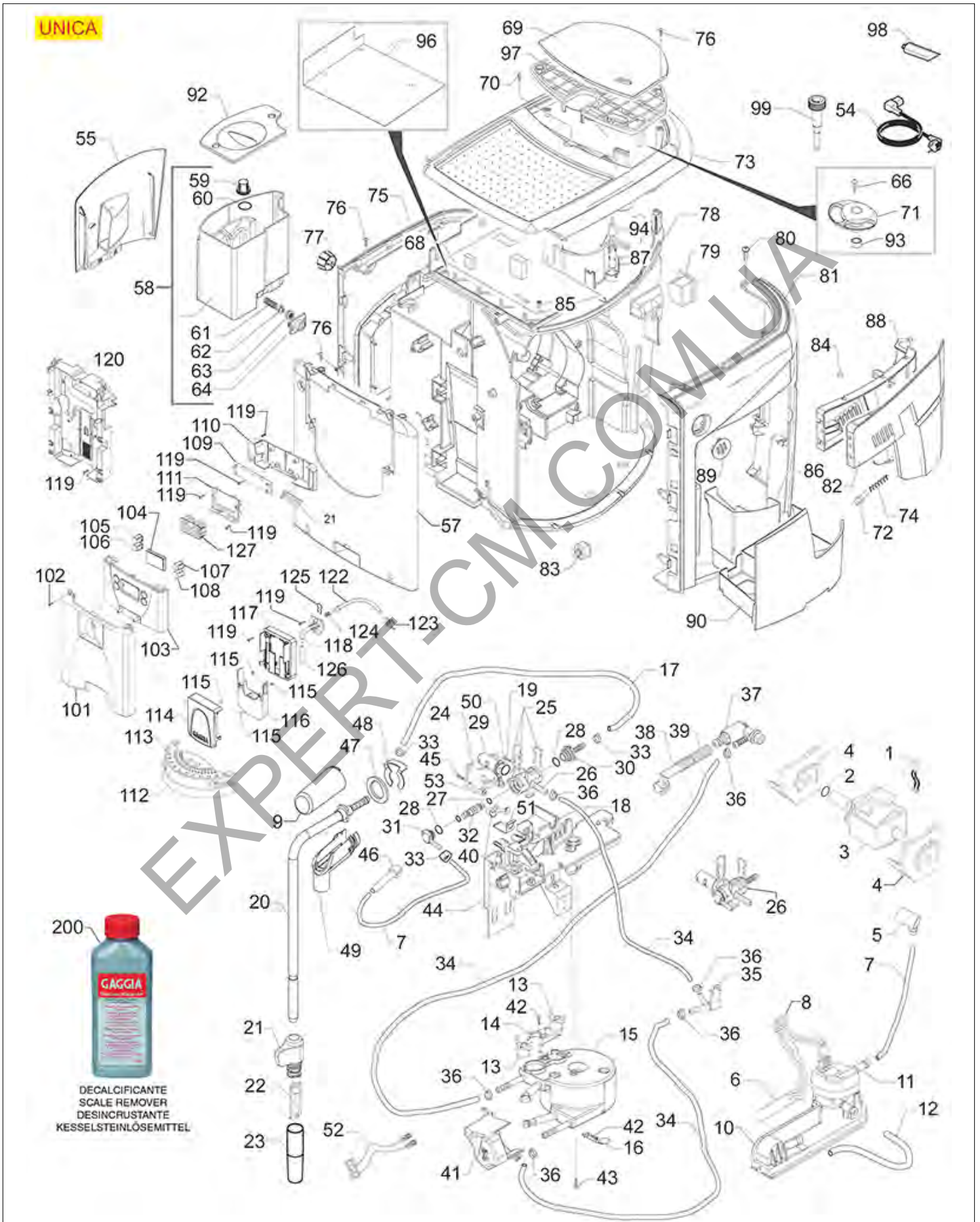
| Position | LF code no. | Description |
|----------|-------------|--|
| 1 | 1192067 | PIN FOR SHOWER |
| 2 | 1186854 | O-RING EPDM R5 |
| 5 | 5071535 | PLATELET GROUP HOOKING |
| 7 | 3243139 | O-RING 02025 EPDM |
| 8 | 5067819 | TUBING FOR WATER INLET BLACK |
| 11 | 5026885 | GASKET O-RING 0060-15 EPDM |
| 16 | 1186862 | ORM GASKET 0320-40 SILICONE |
| 18 | 5066398 | SHOWER SCREEN ø 35,8 mm |
| 20 | 1250369 | SPRING FOR SMOOTHING 49 mm |
| 21 | 5072594 | COFFEE-CONTAINER FOR GROUP ø 39,5 mm |
| 23 | 5073717 | SPRING ø 14x28 mm FOR PISTON GROUP |
| 24 | 5073718 | PISTON BUSHING ø 16,8/11x5,5 mm |
| 25 | 1786074 | ORM 0090-25 EPDM |
| 33 | 5060579 | SPRING FOR GROUP HOPPER SMART |
| 37 | 5059829 | SPRING FOR SMOOTHING 44 mm |
| 38 | 5500672 | BLACK COFFEE GROUP |
| 40 | 5056548 | VALVE FOR BREW GROUP |
| 103 | 5037711 | BURR-HOLDER UPPER |
| 104 | 1251098 | GRINDER BURRS COUPLE CON.SAECO/GAGGIA RH |
| 104 | 1251199 | CONICAL GRIND.BURRS PAIR SAECO/GAGGIA RH |
| 106 | 5501330 | COVER FOR UPPER BURR |
| 107 | 1324131 | INCREMENT PIN |
| 109 | 1251098 | GRINDER BURRS COUPLE CON.SAECO/GAGGIA RH |
| 109 | 1251199 | CONICAL GRIND.BURRS PAIR SAECO/GAGGIA RH |
| 112 | 5033030 | BURR-HOLDER LOWER |
| 119 | 1240211 | COFFEE GRINDER MOTOR 230VDC |
| 144 | 5014767 | PISTON ASSEMBLY |
| 145 | 1449126 | HOSE CLAMP ø 5.8-7.0 mm |
| 146 | 1250238 | SPRING ø 4x21 mm |
| 148 | 1186514 | O-RING 02015 SILICON |
| 157 | 5048762 | MICROSWITCH SAIA X3M5 16(6)A 250V |
| 158 | 1250241 | FORK SPRING FOR PIPE ø 4 mm |
| 159 | 1348085 | STEAM TAP |
| 160 | 1186996 | O-RING R3 EPDM |
| 161 | 5025424 | PIN FOR STEAM TAP |
| 165 | 1240209 | MICROSWITCH SAIA-BURGESS XCC5-81 |
| 170 | 5071472 | FORKSPRING INTERNAL ø 11 mm |



GAGGIA



COFFEE MACHINE MOD. UNICA



Positions without LF code no.: upon request



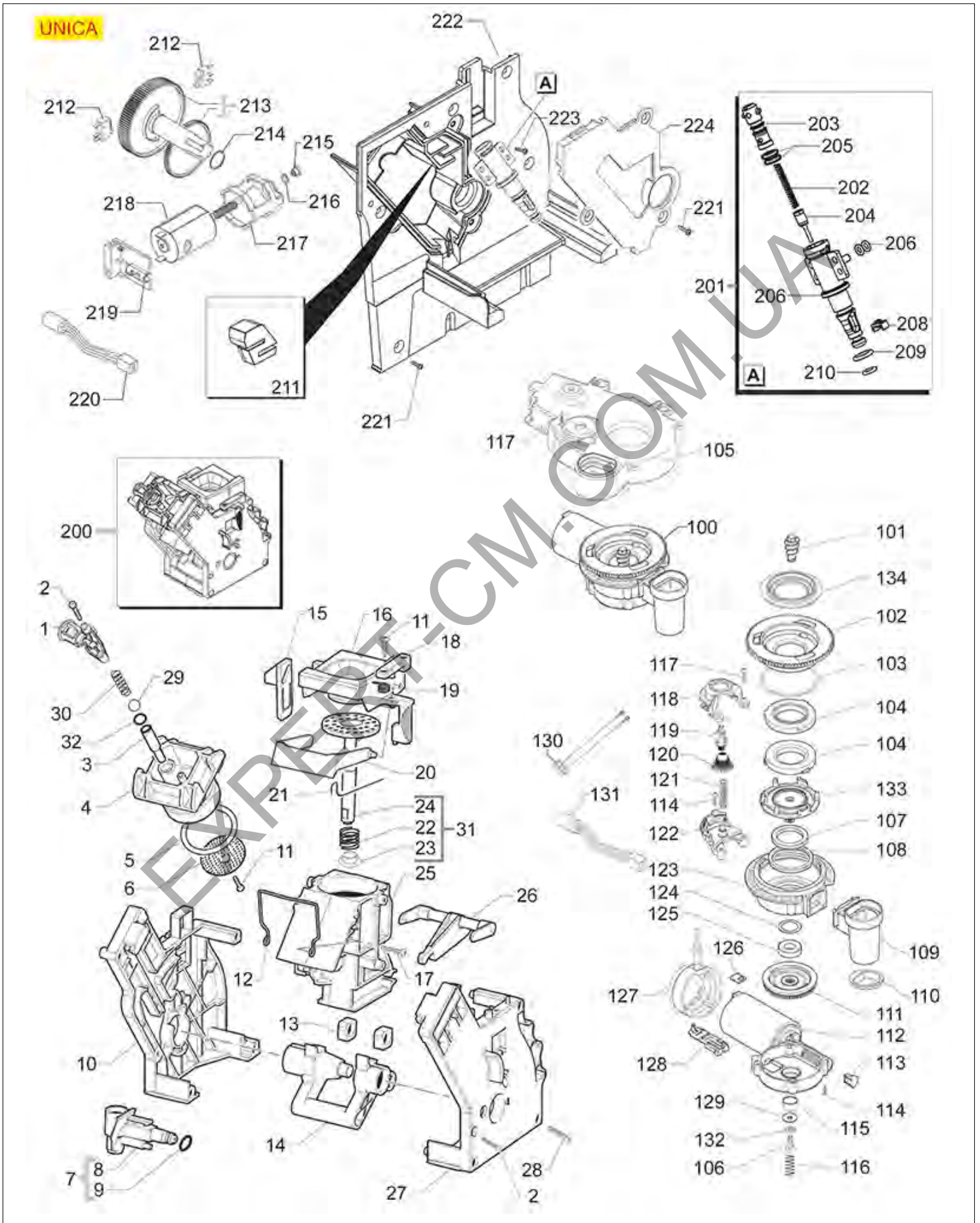
GAGGIA



| Position | LF code no. | Description |
|----------|-------------|---|
| 2 | 1186411 | O-RING 02031 EPDM |
| 3 | 1331026 | VIBRATORY PUMP EP5GW 48W 230V 50Hz |
| 3 | 5062552 | PUMP VIBRATORY EAP5 52W 120V 60Hz |
| 5 | 1349651 | PIPETTE FITTING 90° EX EP |
| 7 | 1449282 | SILICONE HOSE ø 5x8 SHORE 60 - 100 m |
| 7 | 1449682 | SILICONE HOSE ø 5x8 SHORE 60 - 10 m |
| 11 | 5060440 | VOLUMETRIC FLOW METERS 932-9521-B90 NSF |
| 12 | 1449283 | SILICONE HOSE ø 5x10 SHORE 60 - 100 m |
| 12 | 1449683 | SILICONE HOSE ø 5x10 SHORE 60 - 10 m |
| 13 | 5071524 | CONTACT THERMOSTAT 190°C |
| 15 | 5058557 | BOILER SLIM 1300W 230V |
| 16 | 5036417 | PROBE TEMPERATURE NTC BOILER |
| 22 | 1449133 | NOOZLE FOR STEAM PIPE |
| 23 | 1549061 | NOZZLE FOR STEAM |
| 24 | 1390023 | STEAM TAP CIRCUIT BOARD |
| 26 | 1348101 | WATER/STEAM TAP |
| 27 | 1186365 | "O" RING 02012 EPDM |
| 28 | 1186422 | O-RING 0108 EPDM |
| 33 | 1449126 | HOSE CLAMP ø 5.8-7.0 mm |
| 34 | 1449510 | WIRE HOSE ø 8.2x4.2 mm SH60 - 5 m |
| 36 | 5035467 | HOSE CLAMP ø 7.8-9.5 mm |
| 37 | 5057079 | SAFETY VALVE FOR VIBRATION PUMP |
| 48 | 5071472 | FORKSPRING INTERNAL ø 11 mm |
| 50 | 3243139 | O-RING 02025 EPDM |
| 54 | 1050019 | POWER SUPPLY CABLE 16A 250V 2000 mm |
| 59 | 1160026 | WATER FILTER |
| 60 | 5008685 | GASKET ORM 0190-10 EPDM |
| 62 | 5081517 | DELIVERY VALVE FOR WATER TANK |
| 63 | 1186848 | FLAT EPDM GASKET |
| 64 | 5060760 | VALVE COVER WATER TANK |
| 66 | 5017690 | CYLINDER HEAD SCREW M4x16 |
| 83 | 1346001 | WHEEL ø 16 mm |
| 86 | 5048171 | CONTAINER FOR COFFEE PUCK BLACK |
| 124 | 1186514 | O-RING 02015 SILICON |
| 125 | 1250241 | FORK SPRING FOR PIPE ø 4 mm |
| 200 | 5069083 | SCALE REMOVER GAGGIA 250 ml |



COFFEE MACHINE MOD. UNICA



Positions without LF code no.: upon request



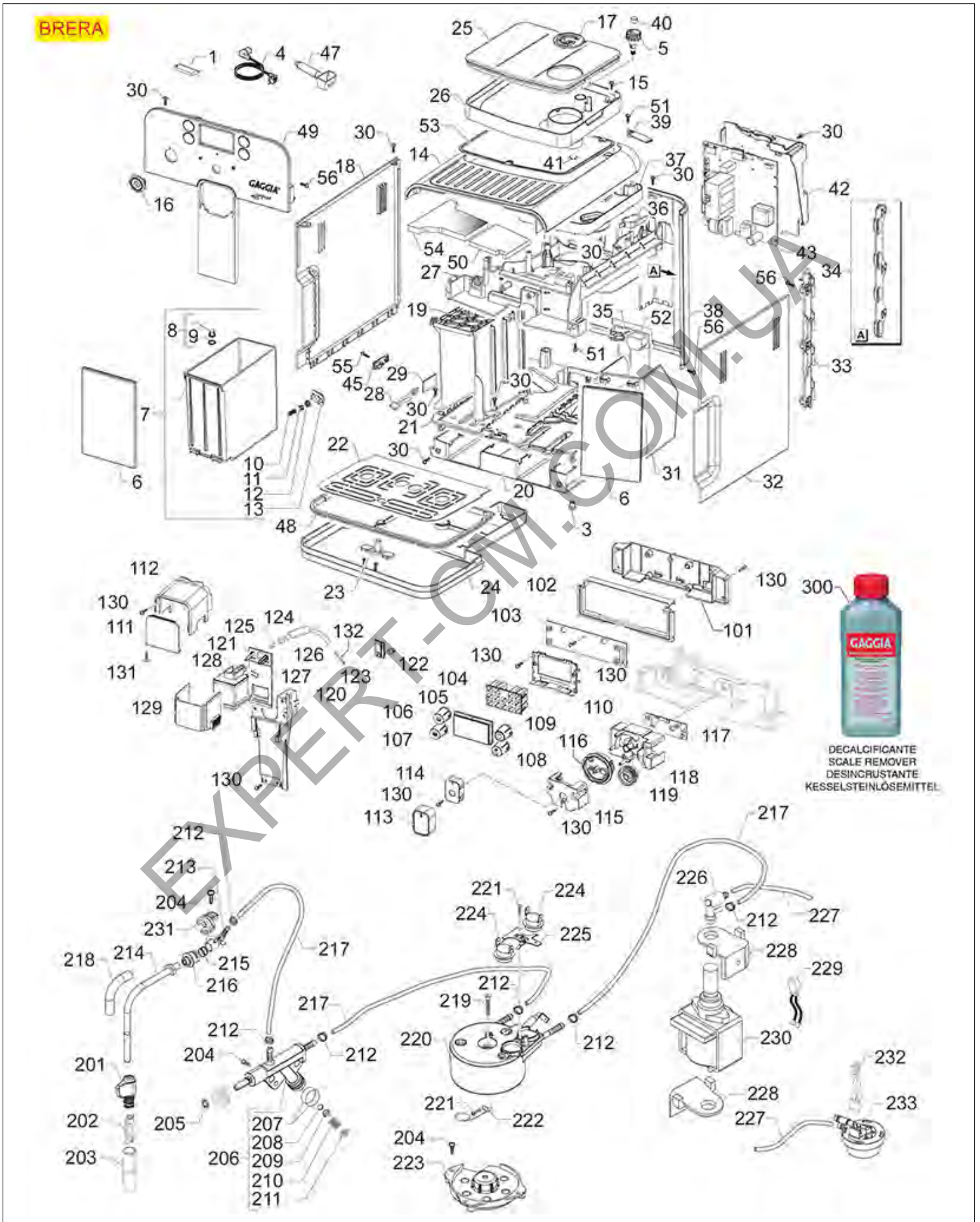
GAGGIA



| Position | LF code no. | Description |
|----------|-------------|--|
| 3 | 5063244 | PIPE COUNTER-PISTON GROUP |
| 4 | 5063245 | COUNTERPISTON FOR COFFEE GROUP 8 g |
| 5 | 1186862 | ORM GASKET 0320-40 SILICONE |
| 6 | 5070066 | SHOWER SCREEN \varnothing 35.8 mm |
| 7 | 5067819 | TUBING FOR WATER INLET BLACK |
| 9 | 3243139 | O-RING 02025 EPDM |
| 12 | 1250369 | SPRING FOR SMOOTHING 49 mm |
| 15 | 5071535 | PLATELET GROUP HOOKING |
| 16 | 5059828 | HOPPER BLACK FOR COFFEE GROUP |
| 19 | 5060579 | SPRING FOR GROUP HOPPER SMART |
| 21 | 5059829 | SPRING FOR SMOOTHING 44 mm |
| 22 | 5073717 | SPRING \varnothing 14x28 mm FOR PISTON GROUP |
| 23 | 5073718 | PISTON BUSHING \varnothing 16,8/11x5,5 mm |
| 25 | 5072594 | COFFEE-CONTAINER FOR GROUP \varnothing 39,5 mm |
| 29 | 1192023 | GLASS BALL \varnothing 5 mm FOR GROUP |
| 30 | 1250237 | CONICAL SPRING \varnothing 7/4x35 mm |
| 31 | 1086054 | PISTON BOTTOM \varnothing 39,5 mm |
| 32 | 5026885 | GASKET O-RING 0060-15 EPDM |
| 103 | 5062671 | GASKET ORM 0530-15 NBR |
| 104 | 1251146 | CERAMIC GRINDING BURRS (PAIR) LEFT |
| 107 | 5062672 | BEARING AXIAL \varnothing 35x25x4 mm |
| 108 | 5062673 | GASKET FLAT FELT \varnothing 45x39x4 mm |
| 109 | 1090039 | COFFEE DOSER OUTLET CONVEYOR ASSY |
| 111 | 1212024 | GEAR \varnothing 52 mm 38 TOOTH |
| 112 | 5030350 | COFFEE GRINDER MOTOR 230VDC |
| 125 | 5071780 | BEARING 6900 RS |
| 126 | 7101458 | PC BOARD SENSOR HAL 506 SF-K |
| 133 | 1251152 | GRINDING BURRS BOTTOM HOLDER |
| 200 | 1192197 | GROUP COFFEE 8 g 8 bar |
| 201 | 1192038 | WATER INLET VALVE |
| 202 | 1250901 | SPRING \varnothing 4x29 mm |
| 204 | 1324911 | PISTON ASSEMBLY |
| 205 | 1186867 | GASKET O-RING 0060-20 SILICONE RED |
| 206 | 1186514 | O-RING 02015 SILICON |
| 208 | 1192911 | VALVE REGULATOR |
| 209 | 1186647 | O-RING M 0090-20 RED SILICONE |
| 210 | 1186648 | O-RING M 0050-20 RED SILICONE |
| 212 | 1240387 | MICROSWITCH 0.3(0.1)A 30V |
| 213 | 5033759 | KIT GEARINGS FOR GEARMOTOR V2 |
| 218 | 7102191 | GEARMOTOR FOR BREW GROUP |



COFFEE MACHINE MOD. BRERA



Positions without LF code no.: upon request



GAGGIA



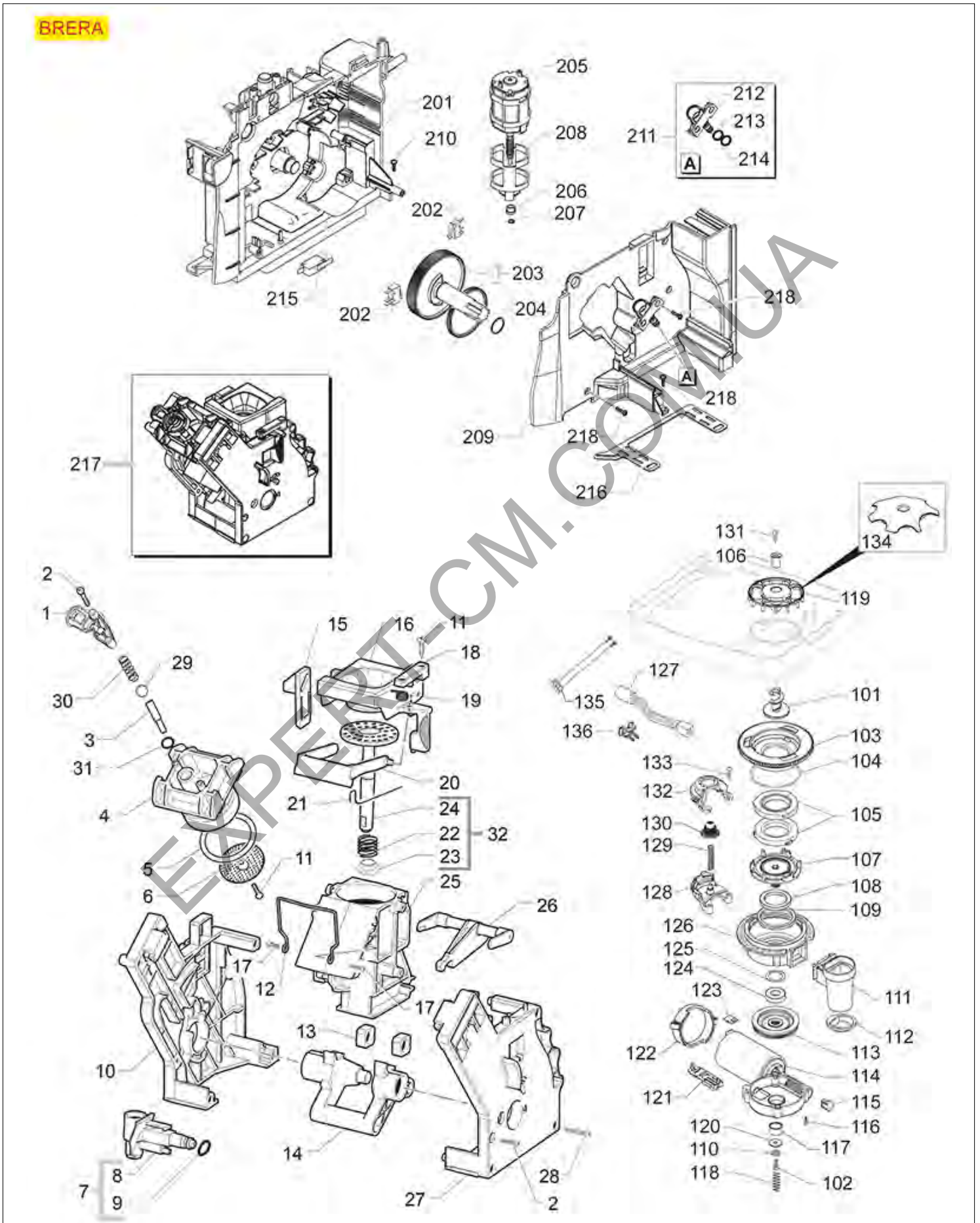
| Position | LF code no. | Description |
|----------|-------------|---|
| 1 | 1180002 | GREASE LUBRICANT 5 g |
| 4 | 1050019 | POWER SUPPLY CABLE 16A 250V 2000 mm |
| 8 | 1160026 | WATER FILTER |
| 9 | 5008685 | GASKET ORM 0190-10 EPDM |
| 11 | 5081517 | DELIVERY VALVE FOR WATER TANK |
| 12 | 1186848 | FLAT EPDM GASKET |
| 13 | 5060760 | VALVE COVER WATER TANK |
| 23 | 1188005 | WATER LEVEL FLOAT |
| 29 | 1390125 | CIRCUIT BOARD LEVEL |
| 31 | 5081308 | GROUND BOX BLACK |
| 35 | 1319382 | BLACK BIPOLAR SWITCH 16A 250V |
| 36 | 5074720 | MICROSWITCH SAIA-BURGESS |
| 125 | 1186514 | O-RING 02015 SILICON |
| 127 | 1250241 | FORK SPRING FOR PIPE \varnothing 4 mm |
| 202 | 1449133 | NOOZLE FOR STEAM PIPE |
| 203 | 1449132 | NOZZLE FOR STEAM OUTLET |
| 206 | 5052727 | TAP WATER/STEAM V2 |
| 207 | 1786028 | GASKET O-RING 0120-20 EPDM |
| 212 | 5035467 | HOSE CLAMP \varnothing 7.8-9.5 mm |
| 215 | 1786322 | GASKET ORM 0060-20 TERMOIL |
| 217 | 1449510 | WIRE HOSE \varnothing 8.2x4.2 mm SH60 - 5 m |
| 220 | 5058557 | BOILER SLIM 1300W 230V |
| 222 | 5036417 | PROBE TEMPERATURE NTC BOILER |
| 224 | 5071524 | CONTACT THERMOSTAT 190°C |
| 226 | 5057079 | SAFETY VALVE FOR VIBRATION PUMP |
| 227 | 1449283 | SILICONE HOSE \varnothing 5x10 SHORE 60 - 100 m |
| 227 | 1449683 | SILICONE HOSE \varnothing 5x10 SHORE 60 - 10 m |
| 230 | 1331026 | VIBRATORY PUMP EP5GW 48W 230V 50Hz |
| 230 | 5062552 | PUMP VIBRATORY EAP5 52W 120V 60Hz |
| 233 | 1455004 | VOLUMETRIC FLOW METER 974-9521-B NSF |
| 300 | 5069083 | SCALE REMOVER GAGGIA 250 ml |

EXPERT-CENTRO.COM.UA



COFFEE MACHINE MOD. BRERA

BRERA



Positions without LF code no.: upon request



GAGGIA



| Position | LF code no. | Description |
|----------|-------------|--|
| 3 | 5063244 | PIPE COUNTER-PISTON GROUP |
| 4 | 5063245 | COUNTERPISTON FOR COFFEE GROUP 8 g |
| 5 | 1186862 | ORM GASKET 0320-40 SILICONE |
| 6 | 5070066 | SHOWER SCREEN \varnothing 35.8 mm |
| 7 | 5067819 | TUBING FOR WATER INLET BLACK |
| 9 | 3243139 | O-RING 02025 EPDM |
| 12 | 1250369 | SPRING FOR SMOOTHING 49 mm |
| 15 | 5071535 | PLATELET GROUP HOOKING |
| 16 | 5059828 | HOPPER BLACK FOR COFFEE GROUP |
| 19 | 5060579 | SPRING FOR GROUP HOPPER SMART |
| 21 | 5059829 | SPRING FOR SMOOTHING 44 mm |
| 22 | 5073717 | SPRING \varnothing 14x28 mm FOR PISTON GROUP |
| 23 | 5073718 | PISTON BUSHING \varnothing 16,8/11x5,5 mm |
| 25 | 5072594 | COFFEE-CONTAINER FOR GROUP \varnothing 39,5 mm |
| 29 | 1192023 | GLASS BALL \varnothing 5 mm FOR GROUP |
| 31 | 5026885 | GASKET O-RING 0060-15 EPDM |
| 32 | 1086054 | PISTON BOTTOM \varnothing 39,5 mm |
| 104 | 5062671 | GASKET ORM 0530-15 NBR |
| 105 | 1251146 | CERAMIC GRINDING BURRS (PAIR) LEFT |
| 107 | 1251152 | GRINDING BURRS BOTTOM HOLDER |
| 108 | 5062672 | BEARING AXIAL \varnothing 35x25x4 mm |
| 109 | 5062673 | GASKET FLAT FELT \varnothing 45x39x4 mm |
| 111 | 1090039 | COFFEE DOSER OUTLET CONVEYOR ASSY |
| 113 | 1212024 | GEAR \varnothing 52 mm 38 TOOTH |
| 114 | 5030350 | COFFEE GRINDER MOTOR 230VDC |
| 123 | 7101458 | PC BOARD SENSOR HAL 506 SF-K |
| 124 | 5071780 | BEARING 6900 RS |
| 131 | 5017690 | CYLINDER HEAD SCREW M4x16 |
| 202 | 1240401 | MICROSWITCH SAIA-BURGESS |
| 203 | 5033759 | KIT GEARINGS FOR GEARMOTOR V2 |
| 205 | 7102191 | GEARMOTOR FOR BREW GROUP |
| 211 | 5069081 | PIN FOR ADJUSTER |
| 213 | 1186647 | O-RING M 0090-20 RED SILICONE |
| 214 | 1186648 | O-RING M 0050-20 RED SILICONE |
| 217 | 5060580 | GROUP COFFEE 8 g 5 bar |

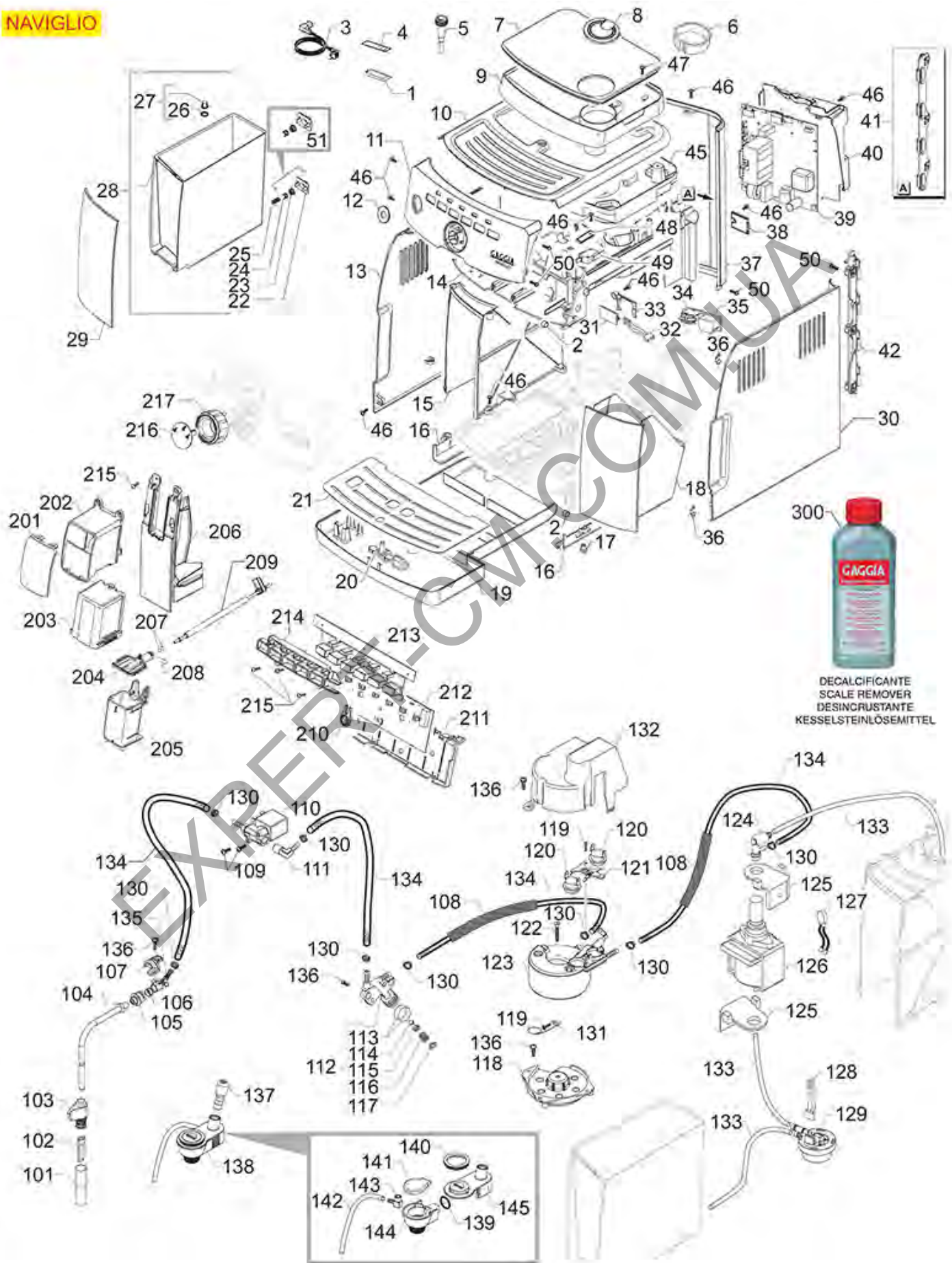


GAGGIA



COFFEE MACHINE MOD. NAVIGLIO

NAVIGLIO



Positions without LF code no.: upon request



GAGGIA



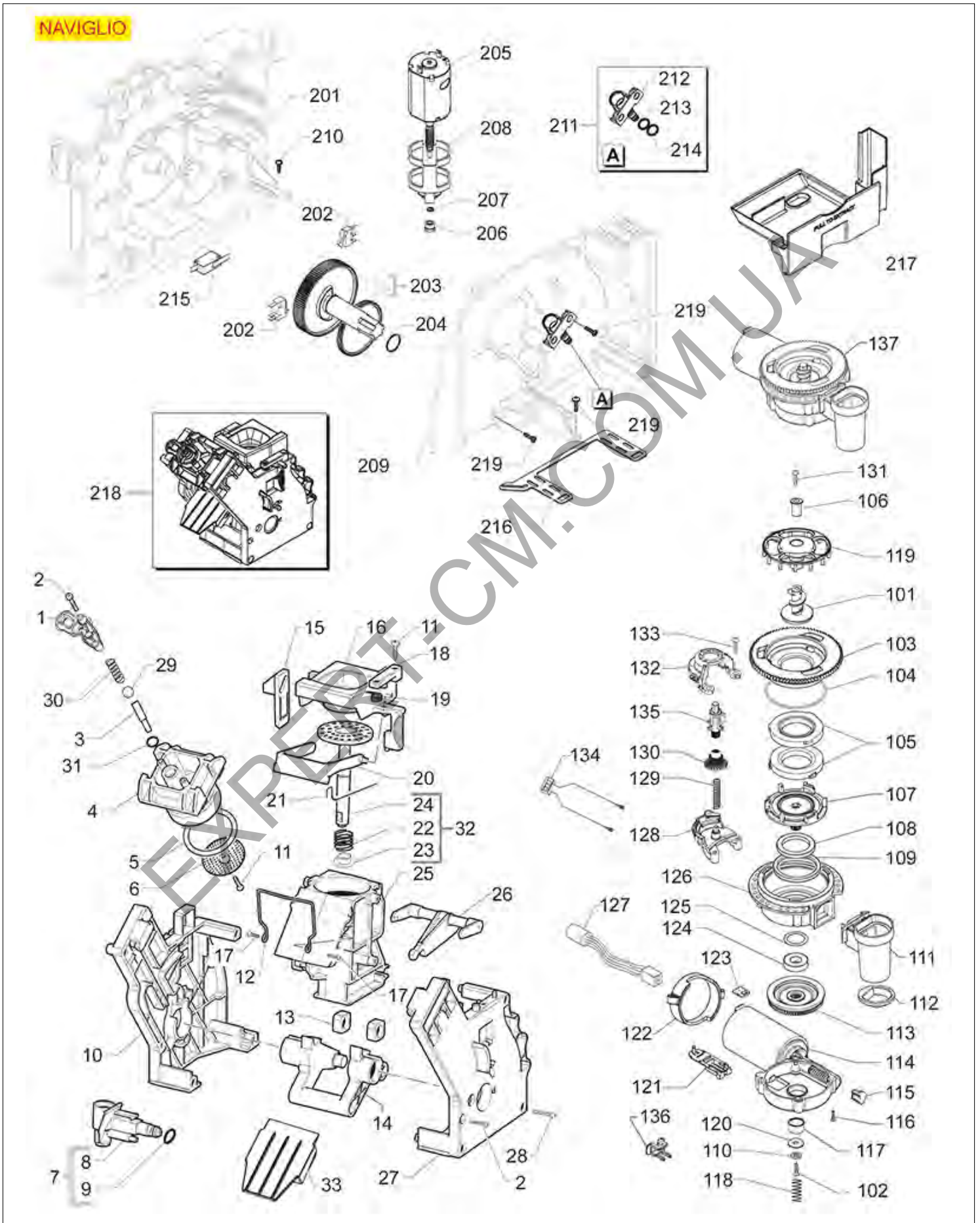
| Position | LF code no. | Description |
|----------|-------------|---------------------------------------|
| 1 | 1180002 | GREASE LUBRICANT 5 g |
| 5 | 5049137 | KNOB GRINDING SETTING |
| 19 | 5076591 | BLACK DRIP TRAY |
| 20 | 1188005 | WATER LEVEL FLOAT |
| 26 | 5008685 | GASKET ORM 0190-10 EPDM |
| 27 | 1160026 | WATER FILTER |
| 31 | 1390125 | CIRCUIT BOARD LEVEL |
| 101 | 1549061 | NOZZLE FOR STEAM |
| 102 | 1449133 | NOOZLE FOR STEAM PIPE |
| 104 | 5068614 | STEAM PIPE COMPLETE Ø 6 MM |
| 106 | 1786322 | GASKET ORM 0060-20 TERMOIL |
| 112 | 5080336 | REGULATION TAP STEAM WATER |
| 113 | 1786028 | GASKET O-RING 0120-20 EPDM |
| 120 | 5071524 | CONTACT THERMOSTAT 190°C |
| 123 | 1048074 | BOILER 1900W 230V |
| 124 | 5057079 | SAFETY VALVE FOR VIBRATION PUMP |
| 126 | 1331026 | VIBRATORY PUMP EP5GW 48W 230V 50Hz |
| 129 | 1455004 | VOLUMETRIC FLOW METER 974-9521-B NSF |
| 130 | 5035467 | HOSE CLAMP Ø 7.8-9.5 mm |
| 131 | 5036417 | PROBE TEMPERATURE NTC BOILER |
| 133 | 1449283 | SILICONE HOSE Ø 5x10 SHORE 60 - 100 m |
| 133 | 1449683 | SILICONE HOSE Ø 5x10 SHORE 60 - 10 m |
| 134 | 1449510 | WIRE HOSE Ø 8.2x4.2 mm SH60 - 5 m |
| 139 | 1186864 | O-RING 0106 RED SILICONE |
| 142 | 1449679 | SILICONE HOSE Ø 3,5x6 SHORE 60 - 10 m |
| 207 | 1186514 | O-RING 02015 SILICON |
| 208 | 1250241 | FORK SPRING FOR PIPE Ø 4 mm |
| 300 | 5069083 | SCALE REMOVER GAGGIA 250 ml |

EXPERT-CM.COM.UA



COFFEE MACHINE MOD. NAVIGLIO

NAVIGLIO



Positions without LF code no.: upon request



GAGGIA



| Position | LF code no. | Description |
|----------|-------------|------------------------------------|
| 3 | 5063244 | PIPE COUNTER-PISTON GROUP |
| 4 | 5063245 | COUNTERPISTON FOR COFFEE GROUP 8 g |
| 5 | 1186862 | ORM GASKET 0320-40 SILICONE |
| 6 | 5070066 | SHOWER SCREEN ø 35.8 mm |
| 7 | 5067819 | TUBING FOR WATER INLET BLACK |
| 9 | 3243139 | O-RING 02025 EPDM |
| 12 | 1250369 | SPRING FOR SMOOTHING 49 mm |
| 16 | 5059828 | HOPPER BLACK FOR COFFEE GROUP |
| 19 | 5060579 | SPRING FOR GROUP HOPPER SMART |
| 21 | 5059829 | SPRING FOR SMOOTHING 44 mm |
| 22 | 5073717 | SPRING ø 14x28 mm FOR PISTON GROUP |
| 23 | 5073718 | PISTON BUSHING ø 16,8/11x5,5 mm |
| 29 | 1192023 | GLASS BALL ø 5 mm FOR GROUP |
| 31 | 5026885 | GASKET O-RING 0060-15 EPDM |
| 104 | 5062671 | GASKET ORM 0530-15 NBR |
| 105 | 1251146 | CERAMIC GRINDING BURRS (PAIR) LEFT |
| 107 | 1251152 | GRINDING BURRS BOTTOM HOLDER |
| 108 | 5062672 | BEARING AXIAL ø 35x25x4 mm |
| 109 | 5062673 | GASKET FLAT FELT ø 45x39x4 mm |
| 111 | 1090039 | COFFEE DOSER OUTLET CONVEYOR ASSY |
| 113 | 1212024 | GEAR ø 52 mm 38 TOOTH |
| 114 | 5030350 | COFFEE GRINDER MOTOR 230VDC |
| 123 | 7101458 | PC BOARD SENSOR HAL 506 SF-K |
| 124 | 5071780 | BEARING 6900 RS |
| 131 | 5017690 | CYLINDER HEAD SCREW M4x16 |
| 202 | 1240401 | MICROSWITCH SAIA-BURGESS |
| 203 | 5033759 | KIT GEARINGS FOR GEARMOTOR V2 |
| 205 | 7102191 | GEARMOTOR FOR BREW GROUP |
| 211 | 5069081 | PIN FOR ADJUSTER |
| 213 | 1186647 | O-RING M 0090-20 RED SILICONE |
| 214 | 1186648 | O-RING M 0050-20 RED SILICONE |

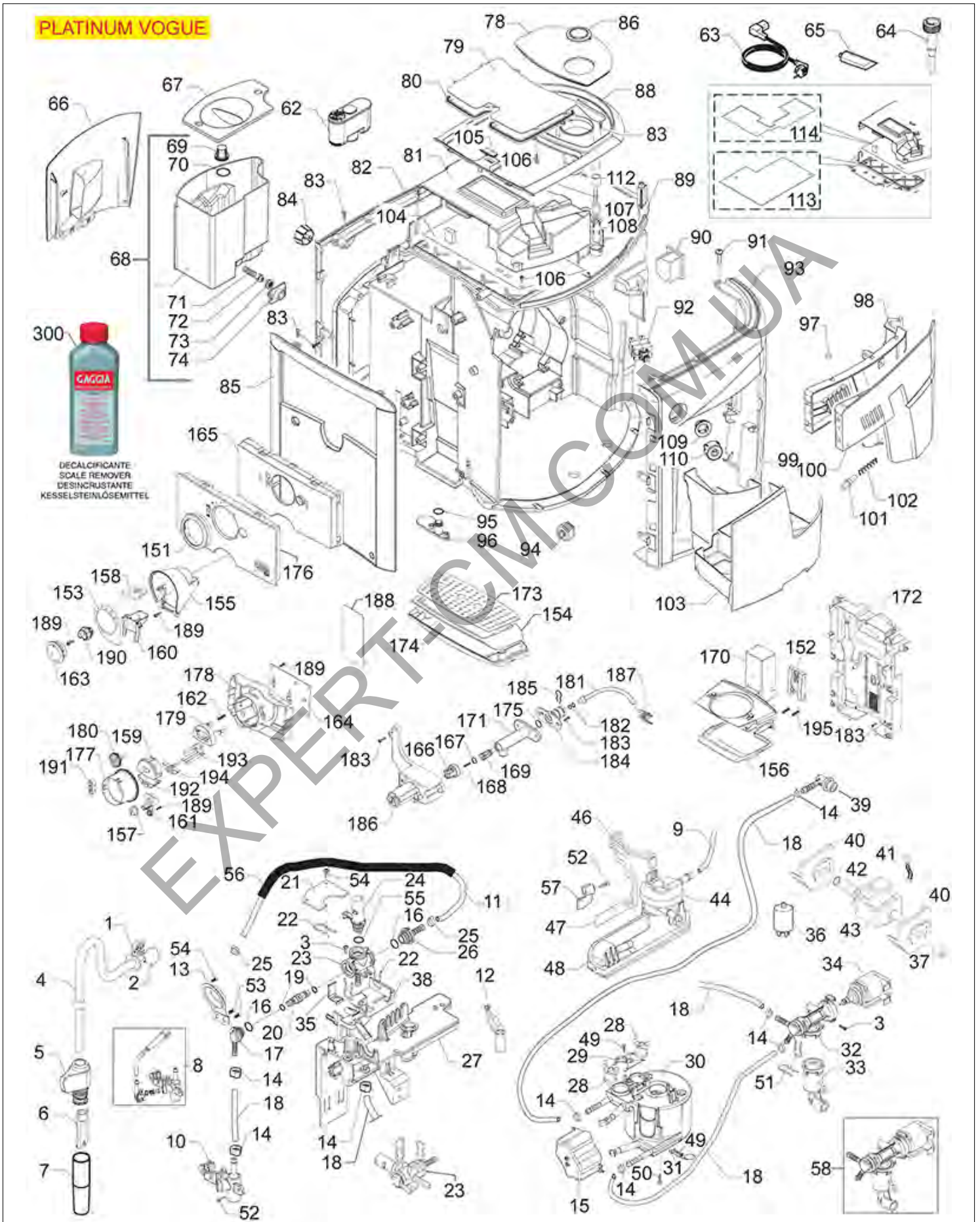
EXPERT-CM.COM.UA



GAGGIA



COFFEE MACHINE MOD. PLATINUM VOGUE



Positions without LF code no.: upon request



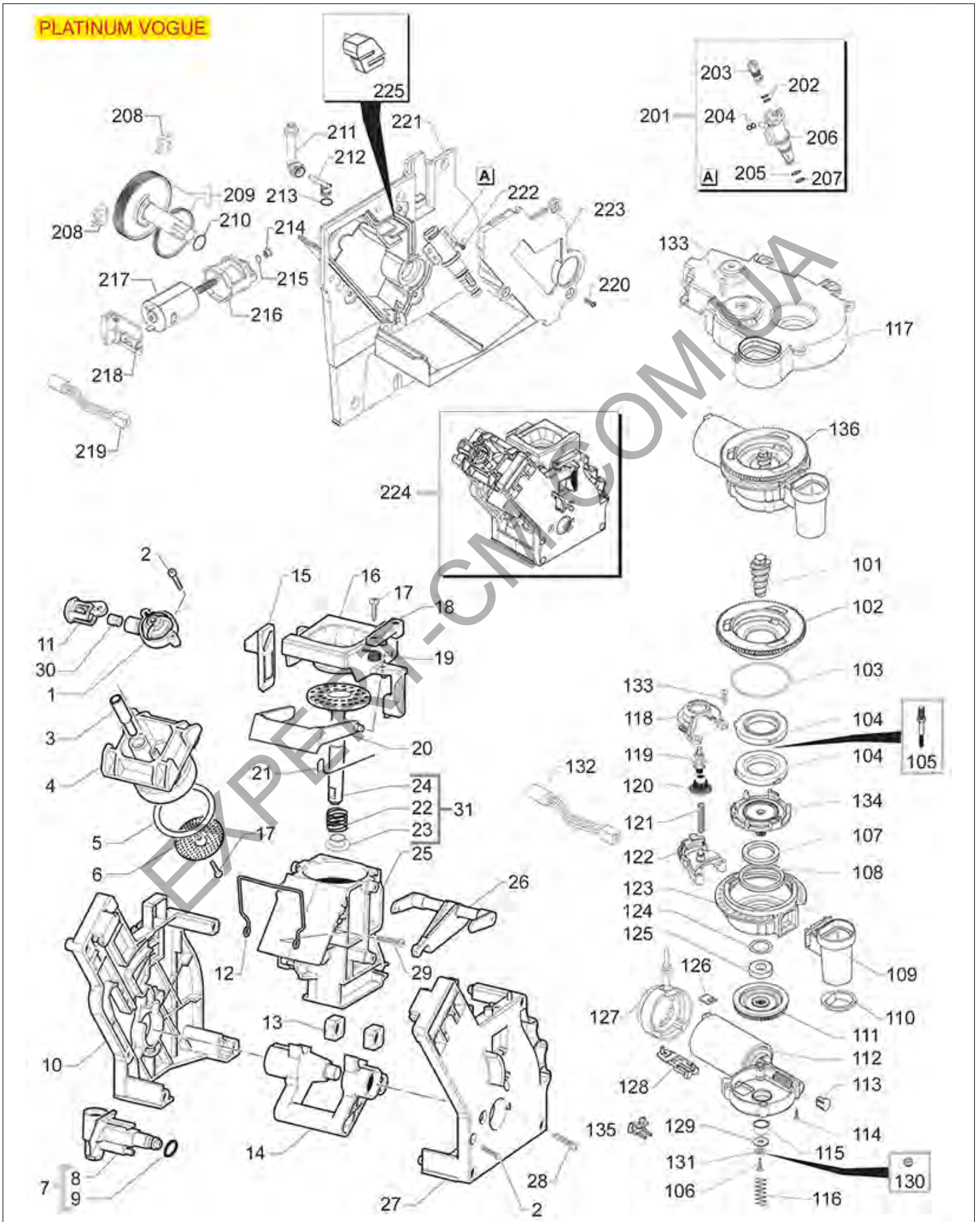
GAGGIA



| Position | LF code no. | Description |
|----------|-------------|---|
| 6 | 1449133 | NOOZLE FOR STEAM PIPE |
| 7 | 1449132 | NOZZLE FOR STEAM OUTLET |
| 9 | 1449282 | SILICONE HOSE \varnothing 5x8 SHORE 60 - 100 m |
| 9 | 1449682 | SILICONE HOSE \varnothing 5x8 SHORE 60 - 10 m |
| 14 | 5035467 | HOSE CLAMP \varnothing 7.8-9.5 mm |
| 16 | 1186422 | O-RING 0108 EPDM |
| 19 | 1186365 | "O" RING 02012 EPDM |
| 21 | 1390023 | STEAM TAP CIRCUIT BOARD |
| 23 | 1348101 | WATER/STEAM TAP |
| 25 | 1449126 | HOSE CLAMP \varnothing 5.8-7.0 mm |
| 28 | 1443040 | CONTACT THERMOSTAT 175°C (16A) |
| 28 | 1443083 | CONTACT THERMOSTAT 175°C |
| 30 | 1048031 | BOILER 1300W 230V |
| 31 | 5036417 | PROBE TEMPERATURE NTC BOILER |
| 32 | 5032428 | HOUSING FOR DRAIN SOLENOID VALVE P0049 |
| 33 | 5032429 | CONNECTOR FOR DRAIN VALVE |
| 34 | 5061494 | COIL FOR DRAIN SOLENOID VALVE 230V |
| 37 | 1349651 | PIPETTE FITTING 90° EX EP |
| 42 | 1186411 | O-RING 02031 EPDM |
| 43 | 1331026 | VIBRATORY PUMP EP5GW 48W 230V 50Hz |
| 43 | 5062552 | PUMP VIBRATORY EAP5 52W 120V 60Hz |
| 44 | 5060440 | VOLUMETRIC FLOW METERS 932-9521-B90 NSF |
| 45 | 1449283 | SILICONE HOSE \varnothing 5x10 SHORE 60 - 100 m |
| 45 | 1449683 | SILICONE HOSE \varnothing 5x10 SHORE 60 - 10 m |
| 55 | 3243139 | O-RING 02025 EPDM |
| 58 | 5036415 | DRAIN SOLENOID VALVE P0049 |
| 62 | 5050501 | DESCALING CARTRIDGE FILTER |
| 63 | 1050019 | POWER SUPPLY CABLE 16A 250V 2000 mm |
| 64 | 5049137 | KNOB GRINDING SETTING |
| 65 | 1180002 | GREASE LUBRICANT 5 g |
| 69 | 1160026 | WATER FILTER |
| 70 | 5008685 | GASKET ORM 0190-10 EPDM |
| 72 | 5081517 | DELIVERY VALVE FOR WATER TANK |
| 73 | 1186848 | FLAT EPDM GASKET |
| 74 | 5060760 | VALVE COVER WATER TANK |
| 94 | 1346001 | WHEEL \varnothing 16 mm |
| 95 | 1186421 | O-RING 02018 EPDM |
| 99 | 5048171 | CONTAINER FOR COFFEE PUCK BLACK |
| 164 | 5077708 | CIRCUIT BOARD CPU V2 |
| 167 | 1186252 | O-RING 0040-20 EPDM |
| 173 | 5048589 | CUP SUPPORT GRID STAINLESS STEAL |
| 174 | 5048592 | DRIP TRAY SILVER |
| 182 | 1186514 | O-RING 02015 SILICON |
| 185 | 1250241 | FORK SPRING FOR PIPE \varnothing 4 mm |
| 300 | 5069083 | SCALE REMOVER GAGGIA 250 ml |



COFFEE MACHINE MOD. PLATINUM VOGUE



Positions without LF code no.: upon request



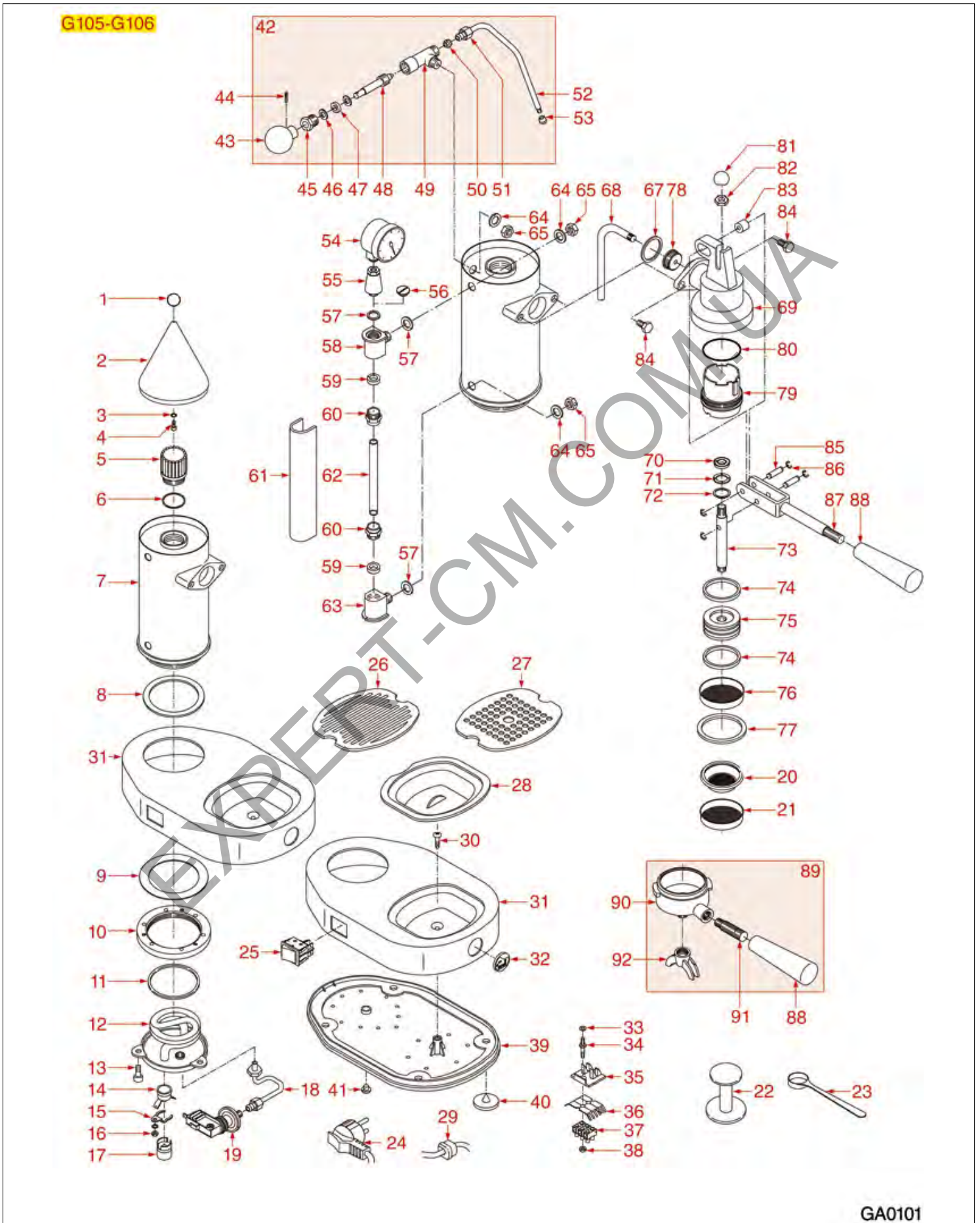
GAGGIA



| Position | LF code no. | Description |
|----------|-------------|--------------------------------------|
| 3 | 5063244 | PIPE COUNTER-PISTON GROUP |
| 4 | 5063245 | COUNTERPISTON FOR COFFEE GROUP 8 g |
| 5 | 1186862 | ORM GASKET 0320-40 SILICONE |
| 6 | 5070066 | SHOWER SCREEN ø 35.8 mm |
| 7 | 5067819 | TUBING FOR WATER INLET BLACK |
| 9 | 3243139 | O-RING 02025 EPDM |
| 12 | 1250369 | SPRING FOR SMOOTHING 49 mm |
| 15 | 5071535 | PLATELET GROUP HOOKING |
| 16 | 5059828 | HOPPER BLACK FOR COFFEE GROUP |
| 19 | 5060579 | SPRING FOR GROUP HOPPER SMART |
| 21 | 5059829 | SPRING FOR SMOOTHING 44 mm |
| 22 | 5073717 | SPRING ø 14x28 mm FOR PISTON GROUP |
| 23 | 5073718 | PISTON BUSHING ø 16,8/11x5,5 mm |
| 25 | 5072594 | COFFEE-CONTAINER FOR GROUP ø 39,5 mm |
| 30 | 5062396 | GASKET COFFEE OUTLET FITTING |
| 31 | 1086054 | PISTON BOTTOM ø 39,5 mm |
| 101 | 1251153 | SPACER SCREW FOR COFFEE GRINDER |
| 103 | 5062671 | GASKET ORM 0530-15 NBR |
| 104 | 1251146 | CERAMIC GRINDING BURRS (PAIR) LEFT |
| 107 | 5062672 | BEARING AXIAL ø 35x25x4 mm |
| 108 | 5062673 | GASKET FLAT FELT ø 45x39x4 mm |
| 109 | 1090039 | COFFEE DOSER OUTLET CONVEYOR ASSY |
| 111 | 1212024 | GEAR ø 52 mm 38 TOOTH |
| 112 | 5030350 | COFFEE GRINDER MOTOR 230VDC |
| 125 | 5071780 | BEARING 6900 RS |
| 126 | 7101458 | PC BOARD SENSOR HAL 506 SF-K |
| 134 | 1251152 | GRINDING BURRS BOTTOM HOLDER |
| 201 | 5060578 | BOILER PIN COMPLETE |
| 202 | 1186867 | GASKET O-RING 0060-20 SILICONE RED |
| 204 | 1186514 | O-RING 02015 SILICON |
| 205 | 1186647 | O-RING M 0090-20 RED SILICONE |
| 207 | 1186648 | O-RING M 0050-20 RED SILICONE |
| 208 | 1240401 | MICROSWITCH SAIA-BURGESS |
| 209 | 5033759 | KIT GEARINGS FOR GEARMOTOR V2 |
| 217 | 7102191 | GEARMOTOR FOR BREW GROUP |
| 224 | 1192077 | BLACK COFFEE ASSEMBLY |



COFFEE MACHINE MOD. G105-G106





GAGGIA



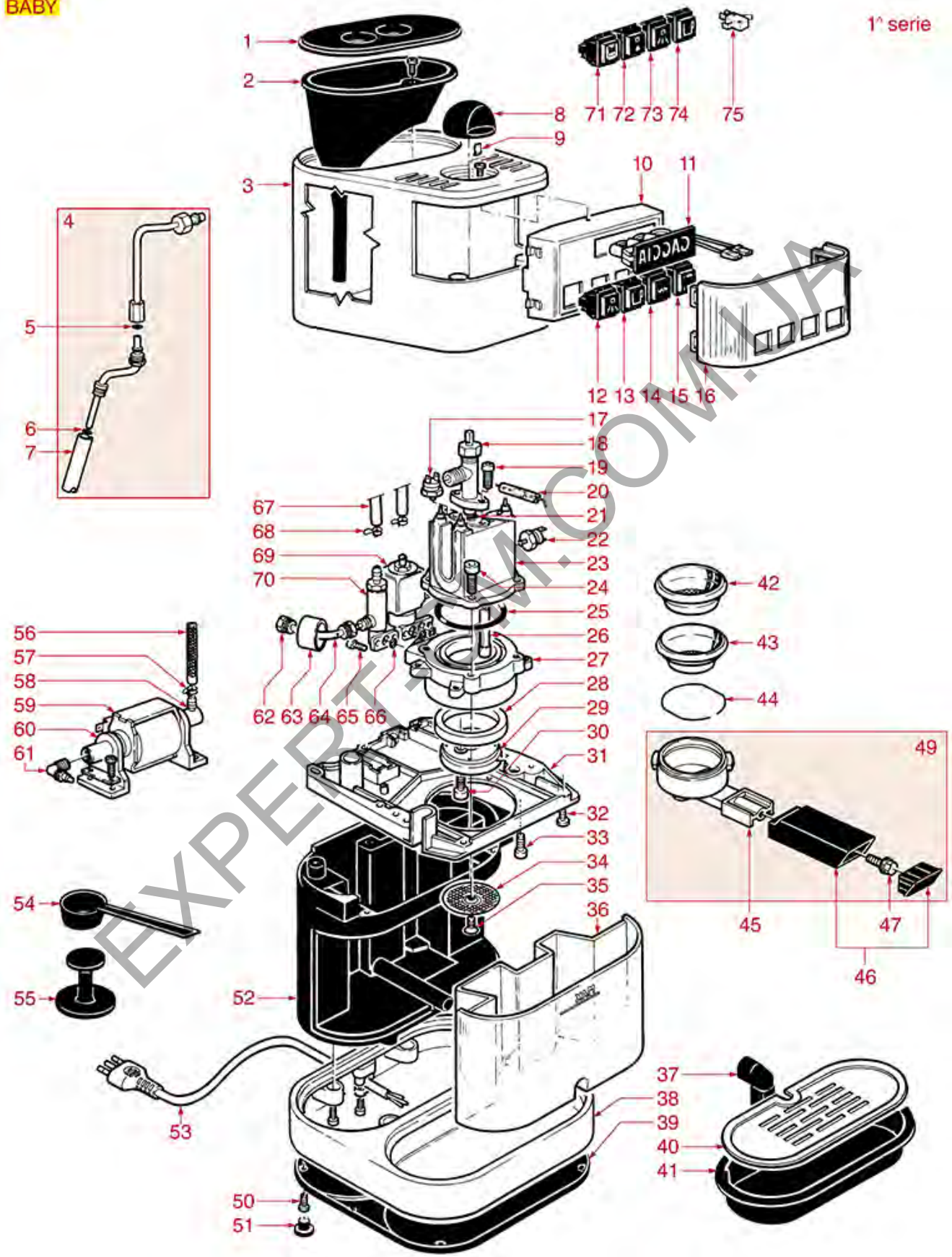
| Position | LF code no. | Description |
|----------|-------------|--------------------------------------|
| 3 | 1348814 | TOOTHED WASHER EXT. M4 |
| 6 | 1186480 | O-RING 04112 EPDM |
| 8 | 1186483 | BOILER GASKET ø 93x80x2 mm |
| 8 | 5501123 | BOILER GASKET ø 108x80x2 mm |
| 9 | 5501123 | BOILER GASKET ø 108x80x2 mm |
| 10 | 5008254 | RING ø 95 mm FOR BOILER FIXING |
| 11 | 1186641 | O-RING 0176 EPDM |
| 12 | 1755050 | HEATING ELEMENT 920/1000W 230/240V |
| 12 | 1755166 | HEATING ELEMENT 1000W 110V |
| 13 | 1184012 | CYLINDER HEAD SCREW M5x10 |
| 14 | 1443007 | CONTACT THERMOSTAT 127°C 16A 250V |
| 15 | 3528238 | FLAT WASHER M4 |
| 16 | 3528232 | HEXAGONAL NUT MEDIUM SIZE M4 |
| 18 | 1449122 | PRESSURE SWITCH PIPE |
| 19 | 1320002 | PRESSURE SWITCH 0.5-1.2 BAR 1/4" |
| 20 | 1160113 | 1 CUP FILTER ø 60x20,5 mm |
| 21 | 1160013 | FILTER 2-CUP ø 60x25 mm |
| 22 | 1385002 | NYLON COFFEE TAMPER ø 50/57 mm |
| 23 | 1069001 | PLASTIC MEASURING SPOON 20 ml |
| 24 | 5008206 | POWER SUPPLY CABLE 16A 250V 2000 mm |
| 25 | 1319128 | RED BIPOLAR SWITCH 16A 250V |
| 25 | 3319944 | BIPOLAR SWITCH GREEN 16A 250V |
| 26 | 1185002 | CUP SUPPORT GRID PLASTIC |
| 27 | 1185001 | CUP SUPPORT GRID CHROME-PLATED STEEL |
| 28 | 1015001 | PLASTIC TRAY |
| 29 | 5008195 | SELF-LOCKING GROMMET |
| 31 | 5014758 | CHROME PLATED BASE |
| 39 | 1015007 | UNDERBASE TRAY |
| 40 | 1313003 | FOOT ø 30 mm |
| 46 | 1186474 | FLAT NBR GASKET ø 12x7x5 mm |
| 47 | 1528029 | BRASS WASHER FLAT ø 12x7x1 mm |
| 48 | 5027689 | STEAM TAP PIN |
| 57 | 1186468 | FLAT GASKET PTFE ø 17x12x1.5 mm |
| 59 | 1186469 | FLAT SILICONE GASKET ø 15x9x5 mm |
| 61 | 1201016 | LEVEL PLATE |
| 62 | 1520007 | LEVEL GLASS ø 9x132 mm |
| 64 | 1528025 | BRASS WASHER FLAT ø 17x12x1 mm |
| 65 | 1528027 | NUT M12 FOR STEAM TAP |
| 67 | 3186247 | O-RING 03112 EPDM |
| 68 | 5027687 | SUCTION PIPE |
| 70 | 1186470 | LIP SEAL ø 21x11x4.5 mm |
| 71 | 1528024 | PUNCHED WASHER ø 19.7x13x0.9 mm |
| 72 | 1348050 | SEEGER RING J-20 |
| 73 | 5501148 | PISTON TIE ROD FOR GROUP |
| 74 | 1186467 | LIP SEAL ø 44x36x5.5 mm |
| 75 | 1321002 | PISTON FOR LEVER GROUP |
| 76 | 1081020 | SHOWER ø 54 mm |
| 78 | 5501139 | DELIVERY GROUP CAP WITH JACKET |
| 79 | 5029493 | JACKET FOR COFFEE GROUP |
| 80 | 1186087 | O-RING 0152 EPDM |
| 83 | 1192015 | ARTICULATION BUSHING |
| 85 | 1324092 | FORK PIN |
| 86 | 1250023 | RADIAL SEEGER RING ø 5 mm |
| 87 | 5032977 | GROUP CONTROL LEVER |
| 88 | 1241055 | FILTER HOLDER KNOB M12 |
| 89 | 1165018 | 2 CUPS FILTER HOLDER ASSEMBLY PAVONI |
| 92 | 1022524 | DOUBLE SPOUT ø 3/8" |



COFFEE MACHINE MOD. BABY

BABY

1ª serie





GAGGIA

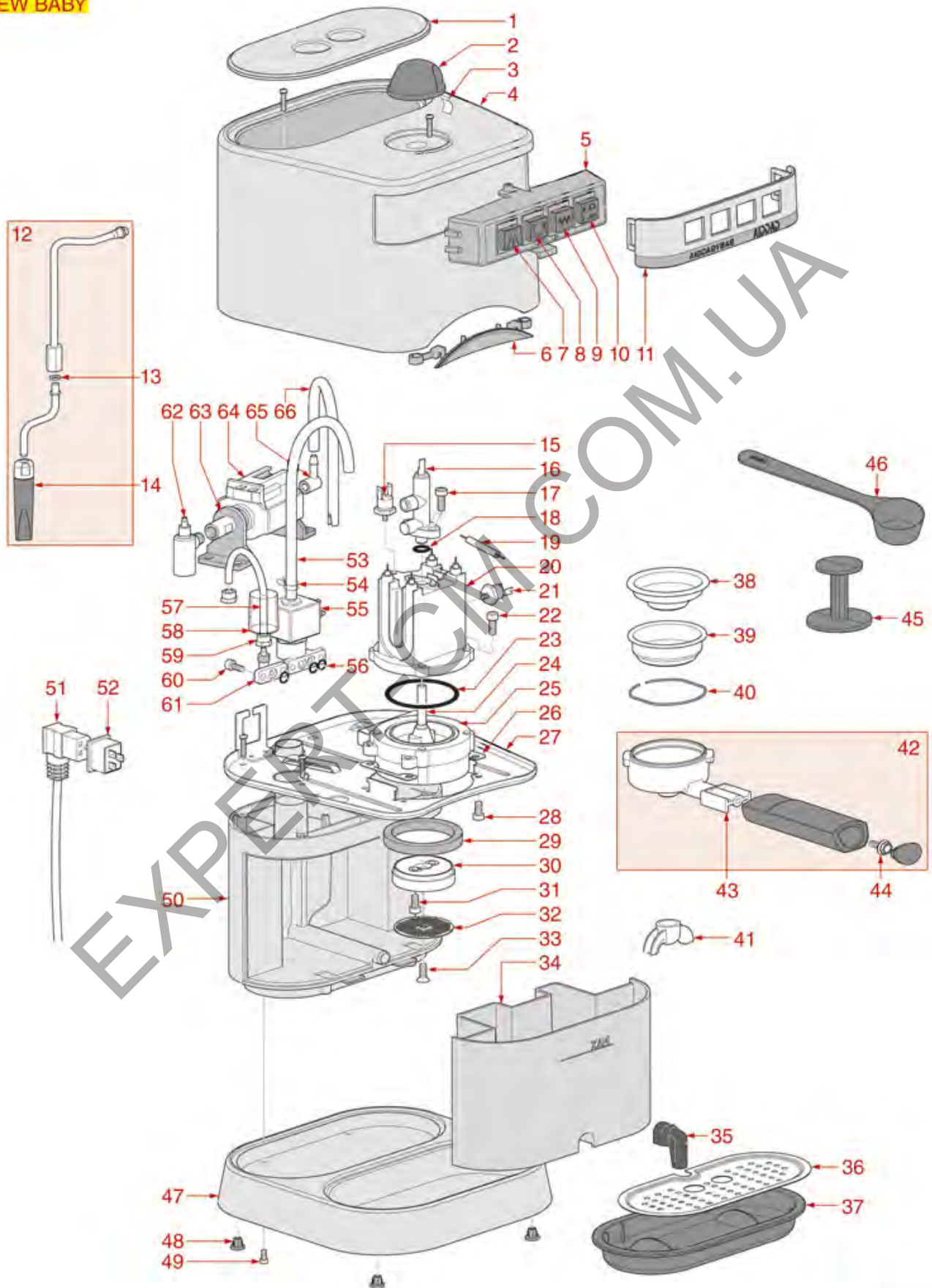


| Position | LF code no. | Description |
|----------|-------------|--|
| 17 | 1443004 | CONTACT THERMOSTAT 145°C M4 |
| 18 | 1348116 | STEAM TAP |
| 20 | 5049141 | FUSE THERMIC 184°C |
| 21 | 1186304 | O-RING 0112 EPDM |
| 22 | 1443400 | CONTACT THERMOSTAT 107°C M4 |
| 23 | 5038339 | BOILER 120/220/240V 570/680W |
| 24 | 5037451 | SCREW WITH CYLINDER HEAD M6x18 |
| 25 | 1786298 | O-RING 0167 RED SILICONE |
| 25 | 3186454 | O-RING 0167 EPDM |
| 27 | 5052124 | BREW GROUP |
| 28 | 1786216 | GASKET FILTER HOLDER \varnothing 72x57x8.5 mm |
| 29 | 5047151 | SHOWER HOLDER SPRAYER |
| 30 | 9528022 | CYLINDER HEAD SCREW M6x12 |
| 33 | 1184012 | CYLINDER HEAD SCREW M5x10 |
| 34 | 1081022 | SHOWER \varnothing 51.5 mm |
| 34 | 1081063 | SHOWER SCREEN \varnothing 54.5 mm |
| 35 | 1528501 | COUNTERSUNK HEAD SCREWS WITH SHELLM5x12 |
| 42 | 1160262 | FILTER 2-CUP 14 g \varnothing 68x24,5 mm |
| 43 | 1160261 | 1 CUP FILTER 7 gr \varnothing 68x24,5 mm |
| 44 | 1250101 | FILTER LOCKING SPRING \varnothing 1,00 mm INOX |
| 45 | 5059488 | FILTER HOLDER BEZZERA COFFEE MACHINES |
| 46 | 5059486 | FILTER HOLDER KNOB |
| 49 | 1165027 | FILTER HOLDER COMPLETE GAGGIA |
| 54 | 1069001 | PLASTIC MEASURING SPOON 20 ml |
| 55 | 1385002 | NYLON COFFEE TAMPER \varnothing 50/57 mm |
| 56 | 1449510 | WIRE HOSE \varnothing 8.2x4.2 mm SH60 - 5 m |
| 58 | 1349651 | PIPETTE FITTING 90° EX EP |
| 59 | 1122014 | PUMP VIBRATORY ARS CP3A/ST 55W 110V |
| 59 | 1122737 | VIBRATORY PUMP EP5 48W 230V 50Hz |
| 59 | 1122741 | VIBRATORY PUMP ARS CP3A/ST 65W 230V |
| 59 | 5062552 | PUMP VIBRATORY EAP5 52W 120V 60Hz |
| 60 | 1331023 | SQUARE DAMPER EX-EP-EK-EA |
| 64 | 1449502 | PTFE PIPE \varnothing 4x6 mm - 10 m |
| 65 | 1184012 | CYLINDER HEAD SCREW M5x10 |
| 66 | 1186611 | O-RING 02025 RED SILICONE |
| 67 | 1449683 | SILICONE HOSE \varnothing 5x10 SHORE 60 - 10 m |
| 69 | 1120366 | 3-WAYS SOLENOID VALVE OLAB 230V 50Hz |
| 72 | 1319251 | RED BIPOLAR PUSH BUTTON 16A 250V |
| 73 | 1319252 | RED BIPOLAR PUSH BUTTON 16A 250V |
| 75 | 3240407 | MICROSWITCH KIT 16A 250V |



COFFEE MACHINE MOD. NEW BABY

NEW BABY



GA0301



GAGGIA

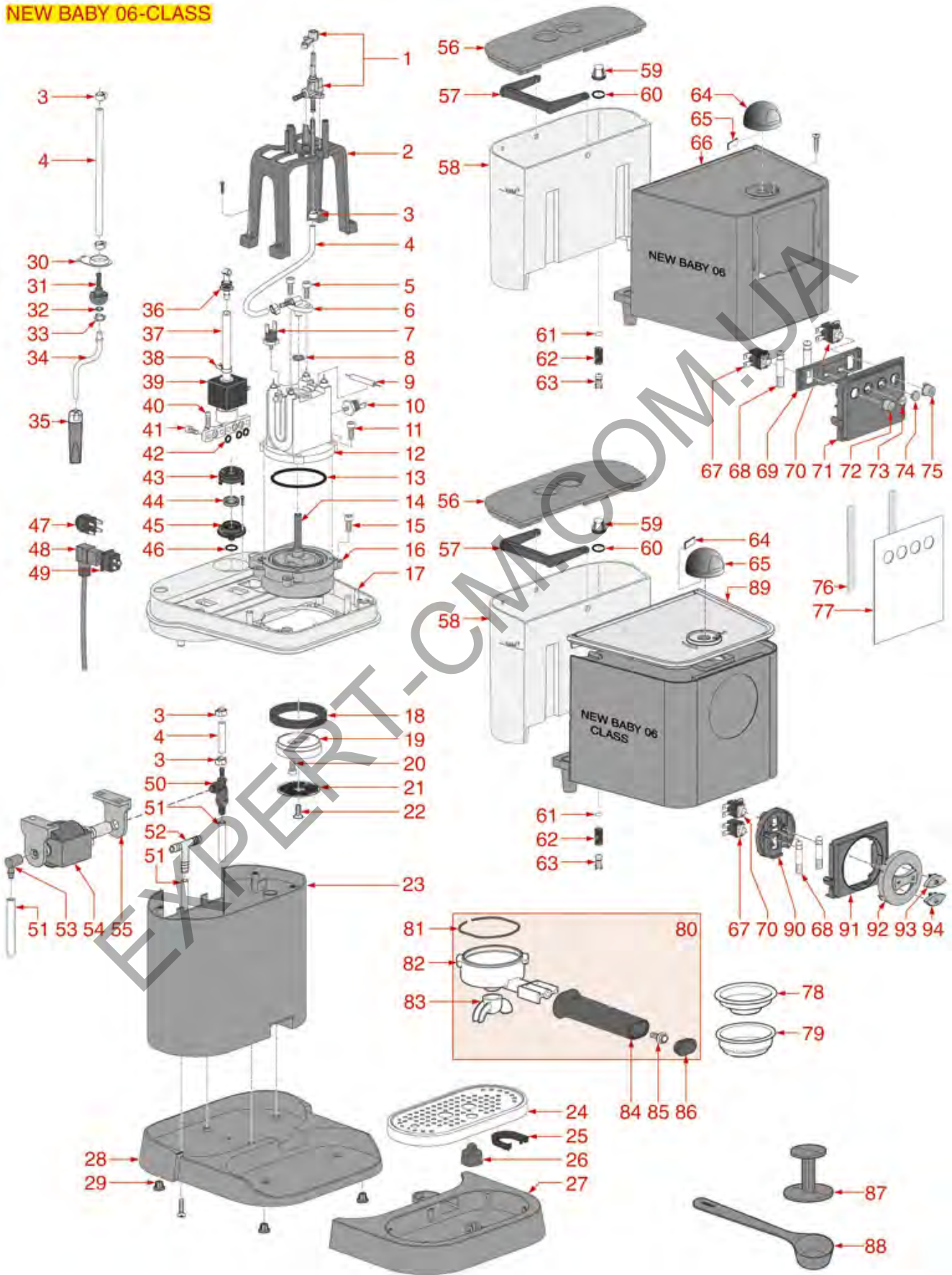


| Position | LF code no. | Description |
|----------|-------------|--|
| 13 | 3243139 | O-RING 02025 EPDM |
| 14 | 5047887 | PANNARELLO OF PLASTIC |
| 15 | 1443004 | CONTACT THERMOSTAT 145°C M4 |
| 16 | 1348116 | STEAM TAP |
| 18 | 1186304 | O-RING 0112 EPDM |
| 19 | 5049141 | FUSE THERMIC 184°C |
| 20 | 5038339 | BOILER 120/220/240V 570/680W |
| 21 | 1443400 | CONTACT THERMOSTAT 107°C M4 |
| 22 | 5037451 | SCREW WITH CYLINDER HEAD M6x18 |
| 23 | 1786298 | O-RING 0167 RED SILICONE |
| 23 | 3186454 | O-RING 0167 EPDM |
| 25 | 5052124 | BREW GROUP |
| 28 | 1184012 | CYLINDER HEAD SCREW M5x10 |
| 29 | 1786216 | GASKET FILTER HOLDER ø 72x57x8.5 mm |
| 30 | 5047151 | SHOWER HOLDER SPRAYER |
| 31 | 9528022 | CYLINDER HEAD SCREW M6x12 |
| 32 | 1081022 | SHOWER ø 51.5 mm |
| 32 | 1081063 | SHOWER SCREEN ø 54.5 mm |
| 33 | 1528501 | COUNTERSUNK HEAD SCREWS WITH SHELL M5x12 |
| 38 | 1160261 | 1 CUP FILTER 7 gr ø 68x24,5 mm |
| 39 | 1160262 | FILTER 2-CUP 14 g ø 68x24,5 mm |
| 40 | 1250101 | FILTER LOCKING SPRING ø 1,00 mm INOX |
| 41 | 1022524 | DOUBLE SPOUT ø 3/8" |
| 42 | 5047148 | FILTER HOLDER ASSEMBLY 2 CUPS GAGGIA |
| 43 | 5059488 | FILTER HOLDER BEZZERA COFFEE MACHINES |
| 45 | 1385002 | NYLON COFFEE TAMPER ø 50/57 mm |
| 46 | 1069001 | PLASTIC MEASURING SPOON 20 ml |
| 53 | 1449683 | SILICONE HOSE ø 5x10 SHORE 60 - 10 m |
| 55 | 1120366 | 3-WAYS SOLENOID VALVE OLAB 230V 50Hz |
| 56 | 1186611 | O-RING 02025 RED SILICONE |
| 57 | 1449502 | PTFE PIPE ø 4x6 mm - 10 m |
| 60 | 1184012 | CYLINDER HEAD SCREW M5x10 |
| 63 | 1331023 | SQUARE DAMPER EX-EP-EK-EA |
| 64 | 1122737 | VIBRATORY PUMP EP5 48W 230V 50Hz |
| 64 | 5062552 | PUMP VIBRATORY EAP5 52W 120V 60Hz |
| 65 | 1349651 | PIPETTE FITTING 90° EX EP |



COFFEE MACHINE MOD. NEW BABY 06-CLASS

NEW BABY 06-CLASS





GAGGIA

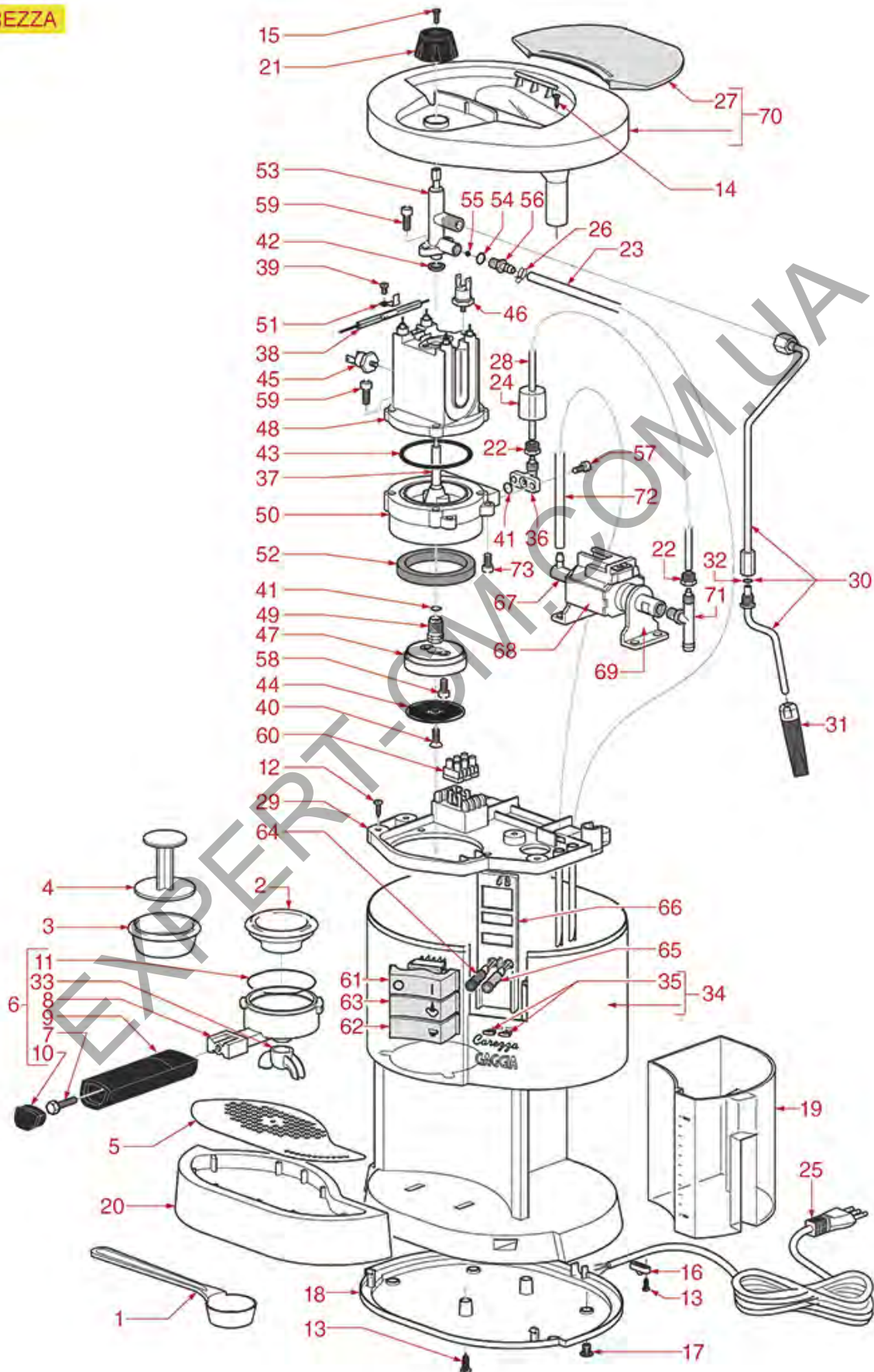


| Position | LF code no. | Description |
|----------|-------------|--|
| 3 | 5035467 | HOSE CLAMP \varnothing 7.8-9.5 mm |
| 4 | 1449510 | WIRE HOSE \varnothing 8.2x4.2 mm SH60 - 5 m |
| 6 | 1349098 | "T"-COUPLING BOILER STEAM OUTLET |
| 7 | 1443004 | CONTACT THERMOSTAT 145°C M4 |
| 8 | 1186304 | O-RING 0112 EPDM |
| 9 | 5049141 | FUSE THERMIC 184°C |
| 10 | 1443400 | CONTACT THERMOSTAT 107°C M4 |
| 11 | 5037451 | SCREW WITH CYLINDER HEAD M6x18 |
| 12 | 5038339 | BOILER 120/220/240V 570/680W |
| 13 | 1786298 | O-RING 0167 RED SILICONE |
| 13 | 3186454 | O-RING 0167 EPDM |
| 15 | 1184012 | CYLINDER HEAD SCREW M5x10 |
| 16 | 5052124 | BREW GROUP |
| 18 | 1786216 | GASKET FILTER HOLDER \varnothing 72x57x8.5 mm |
| 19 | 5047151 | SHOWER HOLDER SPRAYER |
| 20 | 9528022 | CYLINDER HEAD SCREW M6x12 |
| 21 | 1081022 | SHOWER \varnothing 51.5 mm |
| 21 | 1081063 | SHOWER SCREEN \varnothing 54.5 mm |
| 22 | 1528501 | COUNTERSUNK HEAD SCREWS WITH SHELL M5x12 |
| 31 | 1449174 | BALL COUPLING STEAM PIPE |
| 32 | 3243139 | O-RING 02025 EPDM |
| 35 | 5047887 | PANNARELLO OF PLASTIC |
| 37 | 1449683 | SILICONE HOSE \varnothing 5x10 SHORE 60 - 10 m |
| 41 | 1184012 | CYLINDER HEAD SCREW M5x10 |
| 42 | 1186611 | O-RING 02025 RED SILICONE |
| 43 | 1186844 | GASKET GREY COVER |
| 44 | 1186700 | LIP SEAL \varnothing 23x15x6 mm |
| 45 | 5029644 | GASKET HOLDER |
| 46 | 1786111 | ORM GASKET 0080-20 TERMOIL |
| 47 | 1319376 | BLACK BIPOLAR SWITCH 16A 250V |
| 51 | 1449683 | SILICONE HOSE \varnothing 5x10 SHORE 60 - 10 m |
| 52 | 1315008 | T-SHAPED HOSE END FITTING \varnothing 8 mm |
| 53 | 1349651 | PIPETTE FITTING 90° EX EP |
| 54 | 1331026 | VIBRATORY PUMP EP5GW 48W 230V 50Hz |
| 54 | 5062552 | PUMP VIBRATORY EAP5 52W 120V 60Hz |
| 55 | 1331023 | SQUARE DAMPER EX-EP-EK-EA |
| 59 | 1160026 | WATER FILTER |
| 60 | 5008685 | GASKET ORM 0190-10 EPDM |
| 61 | 5008675 | ORM GASKET 0060-30 BLACK SILICONE |
| 62 | 5073339 | SPRING INOX \varnothing 10x19 mm |
| 63 | 5033028 | VALVE INLET FOR WATER CONTAINER |
| 67 | 1319377 | BIPOLAR SWITCH 16A 250V |
| 70 | 1319319 | BIPOLAR SWITCH 16A 250V |
| 78 | 1160261 | 1 CUP FILTER 7 gr \varnothing 68x24,5 mm |
| 79 | 1160262 | FILTER 2-CUP 14 g \varnothing 68x24,5 mm |
| 80 | 5047148 | FILTER HOLDER ASSEMBLY 2 CUPS GAGGIA |
| 81 | 1250101 | FILTER LOCKING SPRING \varnothing 1,00 mm INOX |
| 82 | 5059488 | FILTER HOLDER BEZZERA COFFEE MACHINES |
| 83 | 1022524 | DOUBLE SPOUT \varnothing 3/8" |
| 84 | 5047149 | FILTER HOLDER KNOB |
| 86 | 5047150 | FILTER HOLDER KNOB CAP |
| 87 | 1385002 | NYLON COFFEE TAMPER \varnothing 50/57 mm |
| 88 | 1069001 | PLASTIC MEASURING SPOON 20 ml |



COFFEE MACHINE MOD. CAREZZA

CAREZZA





GAGGIA

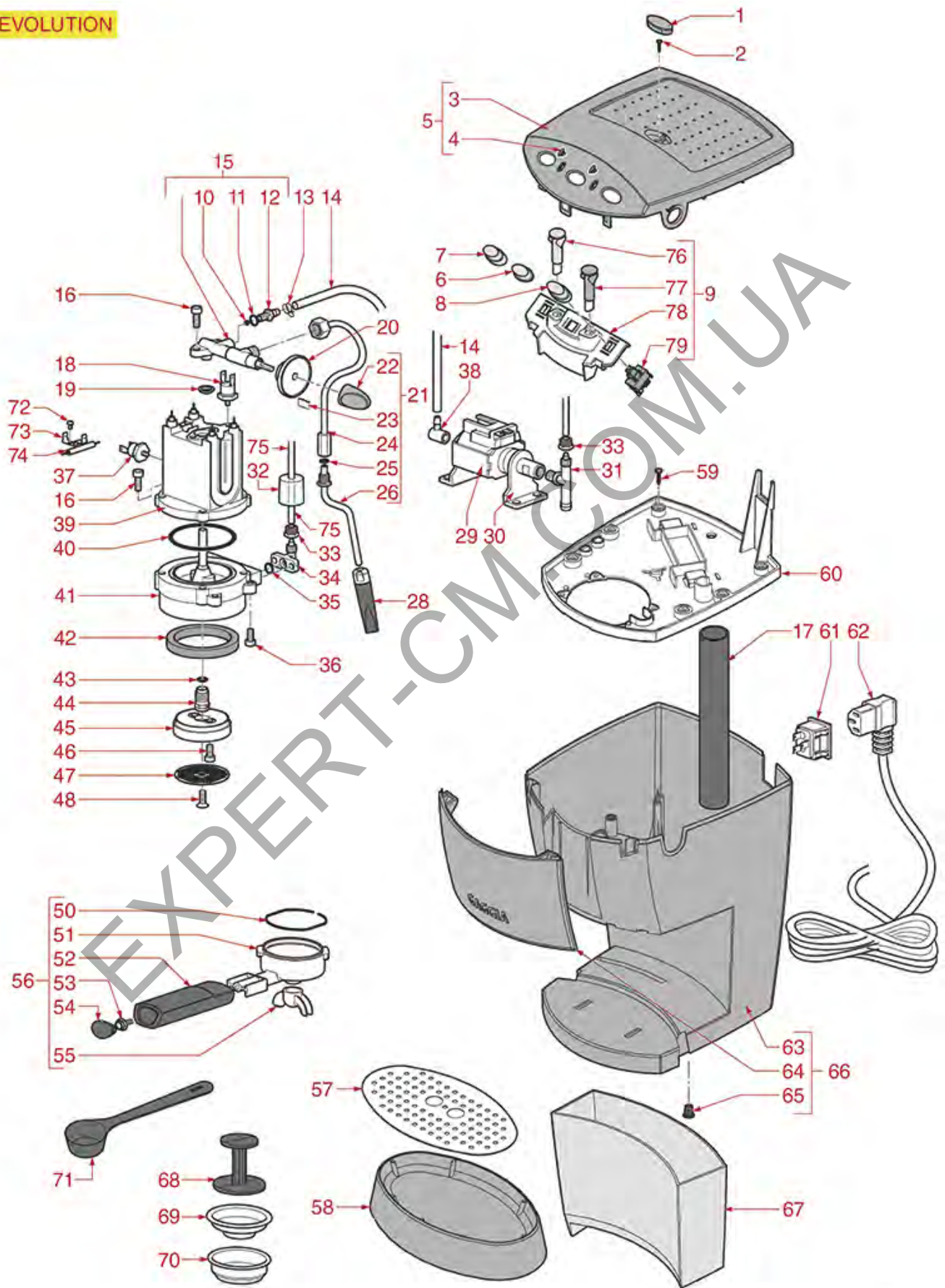


| Position | LF code no. | Description |
|----------|-------------|---|
| 1 | 1069001 | PLASTIC MEASURING SPOON 20 ml |
| 2 | 1160261 | 1 CUP FILTER 7 gr ø 68x24,5 mm |
| 3 | 1160262 | FILTER 2-CUP 14 g ø 68x24,5 mm |
| 4 | 1385002 | NYLON COFFEE TAMPER ø 50/57 mm |
| 8 | 5059488 | FILTER HOLDER BEZZERA COFFEE MACHINES |
| 9 | 5047149 | FILTER HOLDER KNOB |
| 9 | 5059486 | FILTER HOLDER KNOB |
| 10 | 5047150 | FILTER HOLDER KNOB CAP |
| 11 | 1250101 | FILTER LOCKING SPRING ø 1,00 mm INOX |
| 21 | 1241159 | KNOB FOR STEAM TAP |
| 23 | 1449510 | WIRE HOSE ø 8.2x4.2 mm SH60 - 5 m |
| 31 | 5047887 | PANNARELLO OF PLASTIC |
| 32 | 3243139 | O-RING 02025 EPDM |
| 38 | 5049141 | FUSE THERMIC 184°C |
| 40 | 1528501 | COUNTERSUNK HEAD SCREWS WITH SHELLM5x12 |
| 41 | 1186611 | O-RING 02025 RED SILICONE |
| 42 | 1186304 | O-RING 0112 EPDM |
| 43 | 1786298 | O-RING 0167 RED SILICONE |
| 43 | 3186454 | O-RING 0167 EPDM |
| 44 | 1081063 | SHOWER SCREEN ø 54.5 mm |
| 45 | 1443400 | CONTACT THERMOSTAT 107°C M4 |
| 46 | 1443004 | CONTACT THERMOSTAT 145°C M4 |
| 47 | 5047151 | SHOWER HOLDER SPRAYER |
| 48 | 5038339 | BOILER 120/220/240V 570/680W |
| 49 | 5048106 | GROUP DIFFUSER M13x1.5 |
| 52 | 1786216 | GASKET FILTER HOLDER ø 72x57x8.5 mm |
| 57 | 1184012 | CYLINDER HEAD SCREW M5x10 |
| 58 | 9528022 | CYLINDER HEAD SCREW M6x12 |
| 59 | 5037451 | SCREW WITH CYLINDER HEAD M6x18 |
| 62 | 1319380 | BLACK BIPOLAR SWITCH 16A 120/230V |
| 63 | 1319329 | BLACK BIPOLAR SWITCH 16A 120/230V |
| 67 | 1349651 | PIPETTE FITTING 90° EX EP |
| 68 | 1122737 | VIBRATORY PUMP EP5 48W 230V 50Hz |
| 68 | 5062552 | PUMP VIBRATORY EAP5 52W 120V 60Hz |
| 69 | 1331023 | SQUARE DAMPER EX-EP-EK-EA |
| 73 | 1184012 | CYLINDER HEAD SCREW M5x10 |



COFFEE MACHINE MOD. EVOLUTION

EVOLUTION





GAGGIA

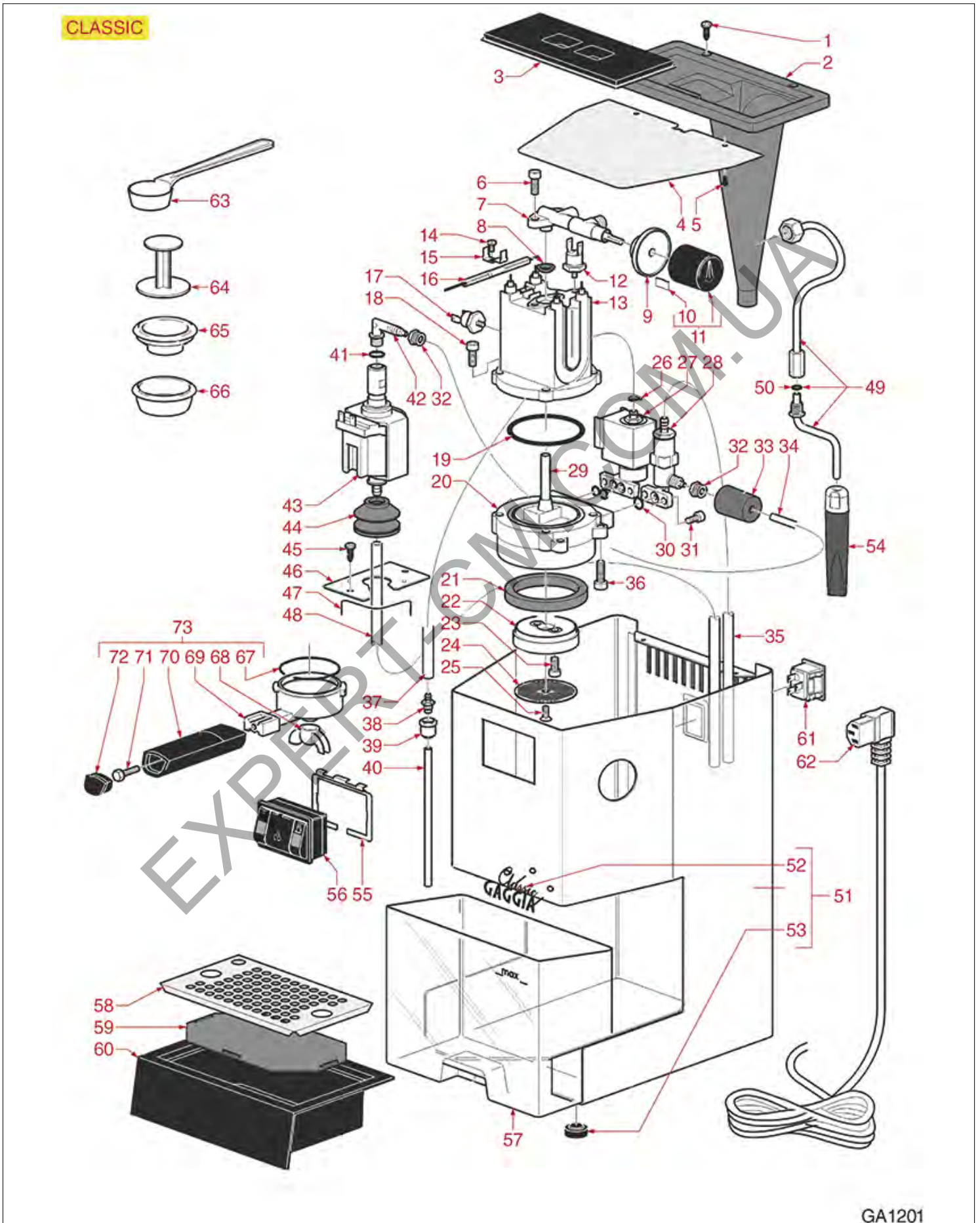


| Position | LF code no. | Description |
|----------|-------------|--|
| 15 | 1348114 | STEAM TAP |
| 16 | 5037451 | SCREW WITH CYLINDER HEAD M6x18 |
| 18 | 1443004 | CONTACT THERMOSTAT 145°C M4 |
| 19 | 1186304 | O-RING 0112 EPDM |
| 25 | 3243139 | O-RING 02025 EPDM |
| 28 | 5047887 | PANNARELLO OF PLASTIC |
| 29 | 1122737 | VIBRATORY PUMP EP5 48W 230V 50Hz |
| 29 | 5062552 | PUMP VIBRATORY EAP5 52W 120V 60Hz |
| 30 | 1331023 | SQUARE DAMPER EX-EP-EK-EA |
| 35 | 1186611 | O-RING 02025 RED SILICONE |
| 36 | 1184012 | CYLINDER HEAD SCREW M5x10 |
| 37 | 1443400 | CONTACT THERMOSTAT 107°C M4 |
| 38 | 1349651 | PIPETTE FITTING 90° EX EP |
| 39 | 5038339 | BOILER 120/220/240V 570/680W |
| 40 | 1786298 | O-RING 0167 RED SILICONE |
| 40 | 3186454 | O-RING 0167 EPDM |
| 42 | 1786216 | GASKET FILTER HOLDER \varnothing 72x57x8.5 mm |
| 43 | 1186611 | O-RING 02025 RED SILICONE |
| 44 | 5048106 | GROUP DIFFUSER M13x1.5 |
| 45 | 5047151 | SHOWER HOLDER SPRAYER |
| 46 | 9528022 | CYLINDER HEAD SCREW M6x12 |
| 47 | 1081063 | SHOWER SCREEN \varnothing 54.5 mm |
| 48 | 1528501 | COUNTERSUNK HEAD SCREWS WITH SHELL M5x12 |
| 50 | 1250101 | FILTER LOCKING SPRING \varnothing 1,00 mm INOX |
| 51 | 5059488 | FILTER HOLDER BEZZERA COFFEE MACHINES |
| 52 | 5047149 | FILTER HOLDER KNOB |
| 52 | 5059486 | FILTER HOLDER KNOB |
| 54 | 5047150 | FILTER HOLDER KNOB CAP |
| 68 | 1385002 | NYLON COFFEE TAMPER \varnothing 50/57 mm |
| 69 | 1160261 | 1 CUP FILTER 7 gr \varnothing 68x24,5 mm |
| 70 | 1160262 | FILTER 2-CUP 14 g \varnothing 68x24,5 mm |
| 71 | 1069001 | PLASTIC MEASURING SPOON 20 ml |
| 74 | 5049141 | FUSE THERMIC 184°C |
| 75 | 1449502 | PTFE PIPE \varnothing 4x6 mm - 10 m |
| 79 | 1319544 | SINGLE-POLE SWITCH 16A 250V |

EXPERTS.GAGGIA.COM.UA



COFFEE MACHINE MOD. CLASSIC





GAGGIA

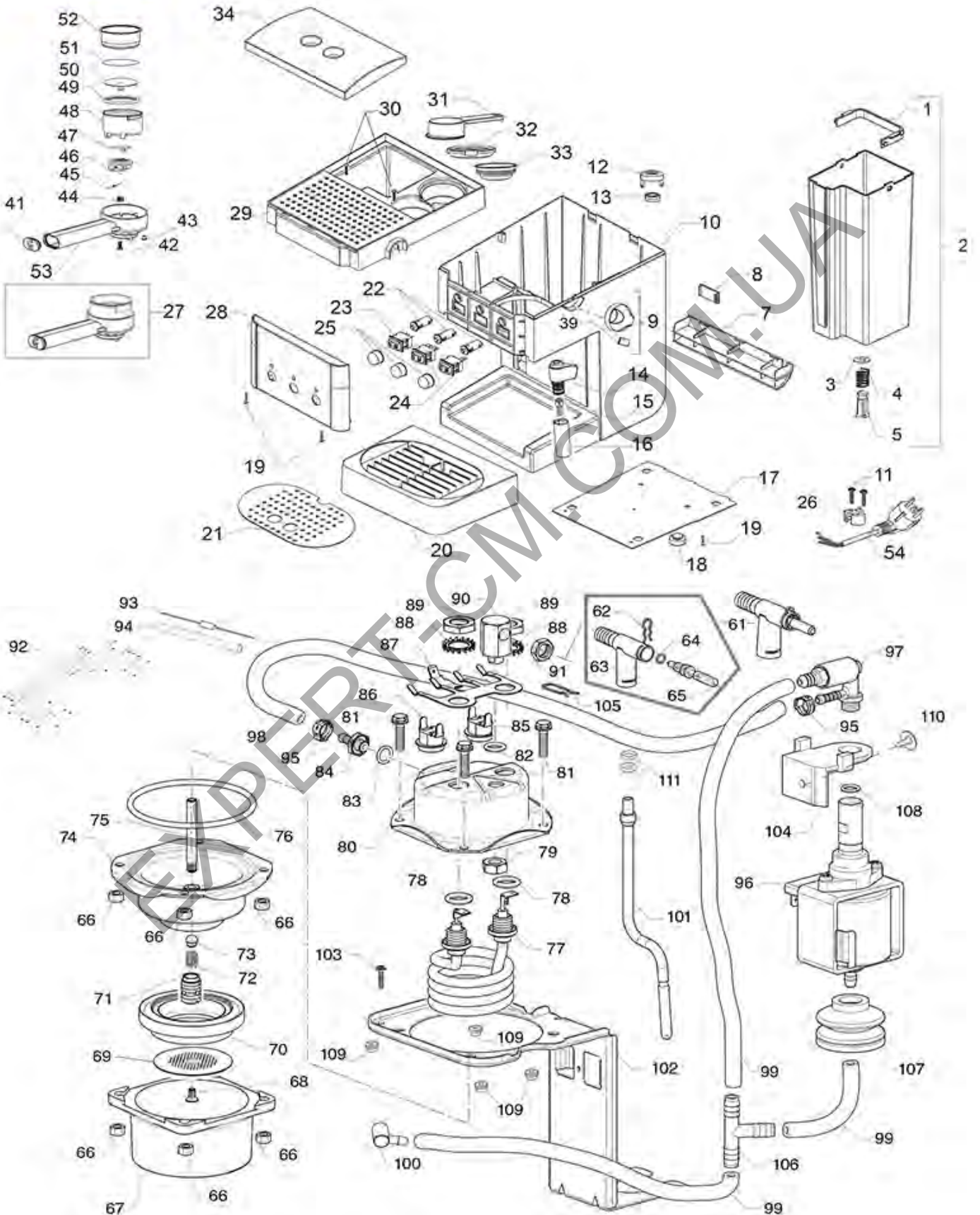


| Position | LF code no. | Description |
|----------|-------------|--|
| 6 | 5037451 | SCREW WITH CYLINDER HEAD M6x18 |
| 7 | 5038340 | STEAM TAP |
| 8 | 1186304 | O-RING 0112 EPDM |
| 11 | 5038341 | KNOB FOR STEAM TAP |
| 12 | 1443004 | CONTACT THERMOSTAT 145°C M4 |
| 13 | 5038339 | BOILER 120/220/240V 570/680W |
| 16 | 5049141 | FUSE THERMIC 184°C |
| 17 | 1443400 | CONTACT THERMOSTAT 107°C M4 |
| 18 | 5037451 | SCREW WITH CYLINDER HEAD M6x18 |
| 19 | 1786298 | O-RING 0167 RED SILICONE |
| 19 | 3186454 | O-RING 0167 EPDM |
| 20 | 5052124 | BREW GROUP |
| 21 | 1786216 | GASKET FILTER HOLDER \varnothing 72x57x8.5 mm |
| 22 | 5047151 | SHOWER HOLDER SPRAYER |
| 23 | 9528022 | CYLINDER HEAD SCREW M6x12 |
| 24 | 1081063 | SHOWER SCREEN \varnothing 54.5 mm |
| 25 | 1528501 | COUNTERSUNK HEAD SCREWS WITH SHELLM5x12 |
| 27 | 1120366 | 3-WAYS SOLENOID VALVE OLAB 230V 50Hz |
| 30 | 1186611 | O-RING 02025 RED SILICONE |
| 31 | 1184012 | CYLINDER HEAD SCREW M5x10 |
| 34 | 1449502 | PTFE PIPE \varnothing 4x6 mm - 10 m |
| 36 | 1184012 | CYLINDER HEAD SCREW M5x10 |
| 41 | 3243139 | O-RING 02025 EPDM |
| 43 | 1122737 | VIBRATORY PUMP EP5 48W 230V 50Hz |
| 43 | 5062552 | PUMP VIBRATORY EAP5 52W 120V 60Hz |
| 50 | 3243139 | O-RING 02025 EPDM |
| 54 | 5047887 | PANNARELLO OF PLASTIC |
| 56 | 1319323 | 3-BUTTON PANEL 16A 250V |
| 63 | 1069001 | PLASTIC MEASURING SPOON 20 ml |
| 64 | 1385000 | NYLON TAMPER \varnothing 50/52 mm |
| 65 | 1160261 | 1 CUP FILTER 7 gr \varnothing 68x24,5 mm |
| 66 | 1160262 | FILTER 2-CUP 14 g \varnothing 68x24,5 mm |
| 67 | 1250101 | FILTER LOCKING SPRING \varnothing 1,00 mm INOX |
| 69 | 5059488 | FILTER HOLDER BEZZERA COFFEE MACHINES |
| 70 | 5047149 | FILTER HOLDER KNOB |
| 70 | 5059486 | FILTER HOLDER KNOB |
| 72 | 5047150 | FILTER HOLDER KNOB CAP |
| 73 | 5047148 | FILTER HOLDER ASSEMBLY 2 CUPS GAGGIA |



COFFEE MACHINE MOD. GRAN GAGGIA

GRAN GAGGIA





GAGGIA

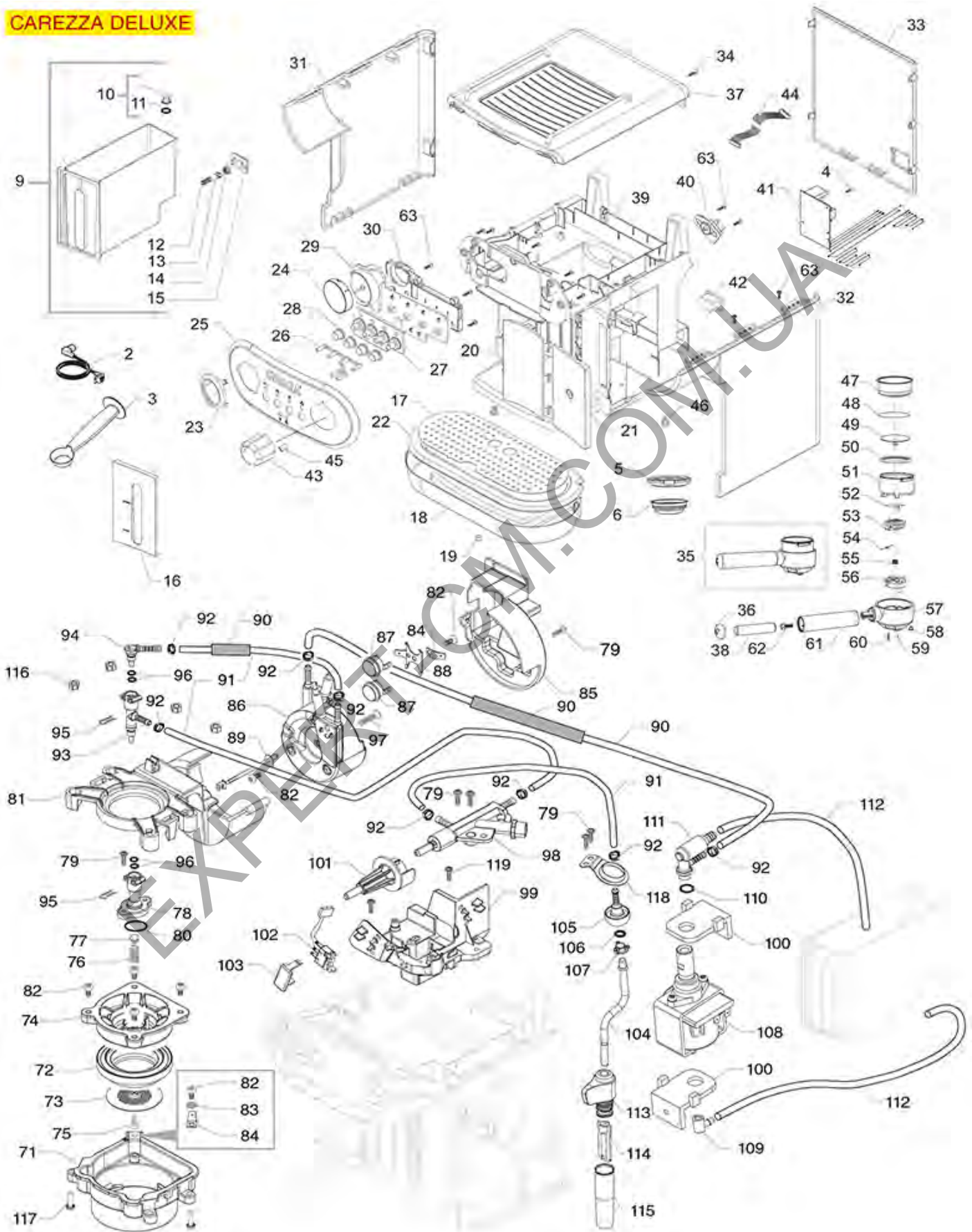


| Position | LF code no. | Description |
|----------|-------------|---|
| 3 | 5008675 | ORM GASKET 0060-30 BLACK SILICONE |
| 4 | 5073339 | SPRING INOX \varnothing 10x19 mm |
| 5 | 5033028 | VALVE INLET FOR WATER CONTAINER |
| 12 | 1186844 | GASKET GREY COVER |
| 13 | 1186700 | LIP SEAL \varnothing 23x15x6 mm |
| 15 | 1449133 | NOOZLE FOR STEAM PIPE |
| 16 | 1449132 | NOZZLE FOR STEAM OUTLET |
| 16 | 1549061 | NOZZLE FOR STEAM |
| 22 | 1221079 | INDICATOR LAMP GREEN 230V |
| 23 | 1319599 | BLACK BIPOLAR SWITCH 16A 250V |
| 24 | 1319664 | BIPOLAR SWITCH BLACK 16A 250V |
| 25 | 1319663 | BUTTON FOR SWITCH |
| 27 | 1165210 | FILTER HOLDER COMPLETE PRESSURIZED |
| 32 | 5027216 | FILTER HOLDER GASKET \varnothing 55 mm |
| 33 | 1160199 | 1 CUP FILTER \varnothing 60x20 mm |
| 52 | 1160200 | 2 CUPS FILTER \varnothing 60x25,5 mm |
| 61 | 1548059 | TAP STEAM/WATER |
| 62 | 1250241 | FORK SPRING FOR PIPE \varnothing 4 mm |
| 64 | 1186755 | O-RING 02018 VITON |
| 66 | 3528135 | HEXAGONAL NUT HIGH M5 |
| 68 | 3528291 | CROSS HEAD FLUSH SCREW M4x8 |
| 69 | 1081058 | SHOWER SCREEN \varnothing 49 mm |
| 70 | 1186998 | FILTER HOLDER GASKET \varnothing 66x36x16 mm |
| 71 | 1510009 | NOZZLE FOR GROUP M12x1 H18 |
| 72 | 1250367 | SPRING \varnothing 7.6x17 mm |
| 73 | 1186843 | BOILER GASKET |
| 76 | 1186858 | O-RING 0176 RED SILICONE |
| 77 | 1755298 | HEATING ELEMENT 900W 230V |
| 78 | 1186366 | O-RING 02050 RED SILICONE |
| 82 | 5008673 | O-RING 02043 SILICONE |
| 83 | 1786087 | O-RING 02037 RED SILICONE |
| 85 | 1443036 | CONTACT THERMOSTAT 95°C 10A 250V |
| 86 | 5500425 | CONTACT THERMOSTAT 127°C |
| 95 | 5035467 | HOSE CLAMP \varnothing 7.8-9.5 mm |
| 96 | 1331026 | VIBRATORY PUMP EP5GW 48W 230V 50Hz |
| 97 | 5057079 | SAFETY VALVE FOR VIBRATION PUMP |
| 98 | 1449510 | WIRE HOSE \varnothing 8.2x4.2 mm SH60 - 5 m |
| 99 | 1449283 | SILICONE HOSE \varnothing 5x10 SHORE 60 - 100 m |
| 100 | 1349651 | PIPETTE FITTING 90° EX EP |
| 108 | 1186411 | O-RING 02031 EPDM |
| 111 | 3243139 | O-RING 02025 EPDM |



COFFEE MACHINE MOD. CAREZZA DELUXE

CAREZZA DELUXE



Positions without LF code no.: upon request



GAGGIA



| Position | LF code no. | Description |
|----------|-------------|---|
| 2 | 1050019 | POWER SUPPLY CABLE 16A 250V 2000 mm |
| 3 | 1069001 | PLASTIC MEASURING SPOON 20 ml |
| 5 | 5027216 | FILTER HOLDER GASKET \varnothing 55 mm |
| 10 | 1160026 | WATER FILTER |
| 11 | 5008685 | GASKET ORM 0190-10 EPDM |
| 14 | 1186848 | FLAT EPDM GASKET |
| 15 | 5060760 | VALVE COVER WATER TANK |
| 35 | 1165179 | FILTER HOLDER COMPLETE PRESSURISED |
| 47 | 1160200 | 2 CUPS FILTER \varnothing 60x25,5 mm |
| 72 | 1186998 | FILTER HOLDER GASKET \varnothing 66x36x16 mm |
| 73 | 1081058 | SHOWER SCREEN \varnothing 49 mm |
| 76 | 5031970 | SPRING \varnothing 7x21 mm |
| 77 | 1186843 | BOILER GASKET |
| 80 | 1186709 | O-RING 0115 VITON |
| 86 | 1048074 | BOILER 1900W 230V |
| 87 | 5071524 | CONTACT THERMOSTAT 190°C |
| 89 | 5036417 | PROBE TEMPERATURE NTC BOILER |
| 91 | 1449510 | WIRE HOSE \varnothing 8.2x4.2 mm SH60 - 5 m |
| 92 | 5035467 | HOSE CLAMP \varnothing 7.8-9.5 mm |
| 95 | 1250241 | FORK SPRING FOR PIPE \varnothing 4 mm |
| 96 | 1186514 | O-RING 02015 SILICON |
| 105 | 1449174 | BALL COUPLING STEAM PIPE |
| 106 | 1786322 | GASKET ORM 0060-20 TERMOIL |
| 108 | 1331026 | VIBRATORY PUMP EP5GW 48W 230V 50Hz |
| 109 | 1349651 | PIPETTE FITTING 90° EX EP |
| 110 | 1186411 | O-RING 02031 EPDM |
| 111 | 5057079 | SAFETY VALVE FOR VIBRATION PUMP |
| 112 | 1449283 | SILICONE HOSE \varnothing 5x10 SHORE 60 - 100 m |
| 112 | 1449683 | SILICONE HOSE \varnothing 5x10 SHORE 60 - 10 m |
| 114 | 1449133 | NOOZLE FOR STEAM PIPE |
| 115 | 1449132 | NOZZLE FOR STEAM OUTLET |
| 116 | 3528135 | HEXAGONAL NUT HIGH M5 |

EXPERT-CIVIC.COM.UA