

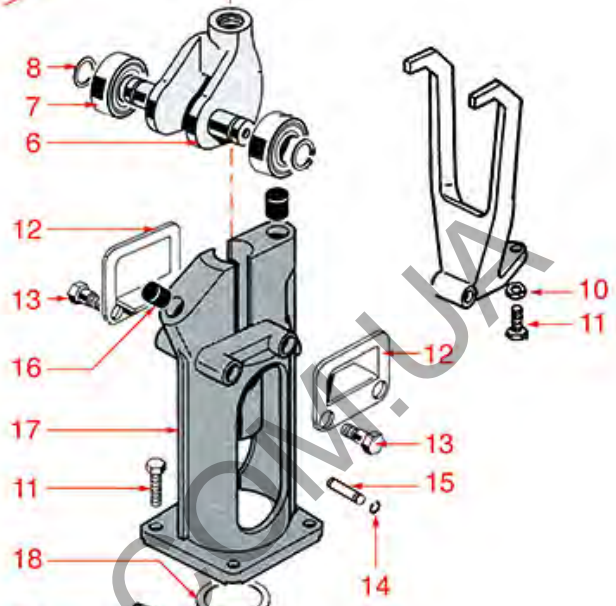


LEVER GROUP Z9-Z11-S10

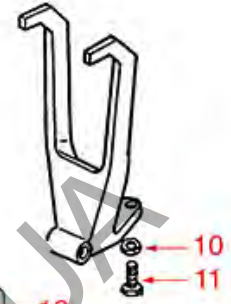
Z9 - Z11 - S10



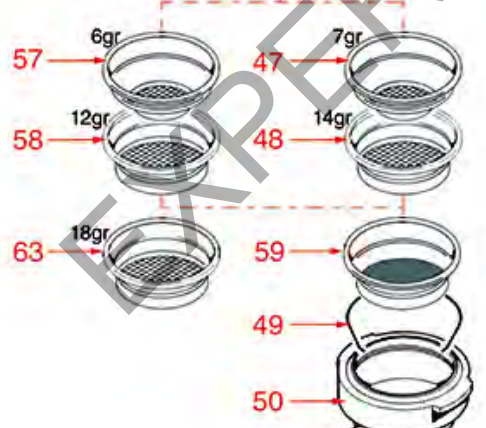
2 3 4 5



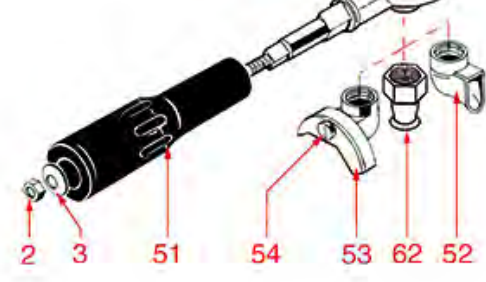
8
7
6
12
13
16
17
11
18
19



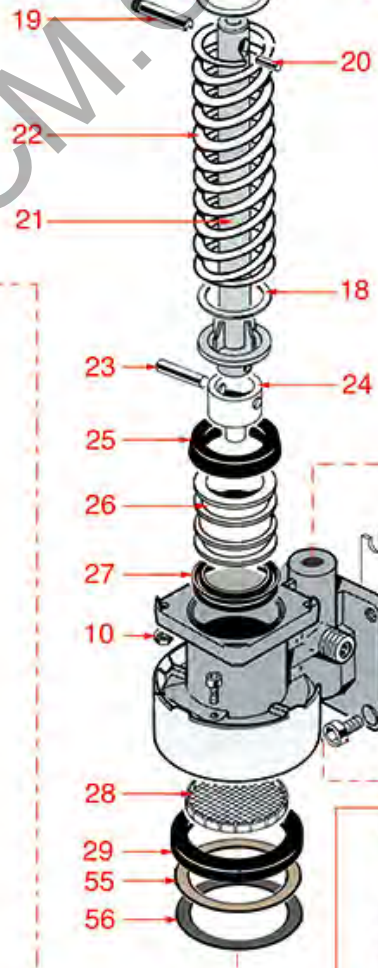
10
11



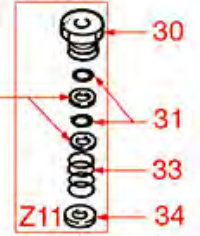
57 6gr
58 12gr
63 18gr
47 7gr
48 14gr
59
49
50



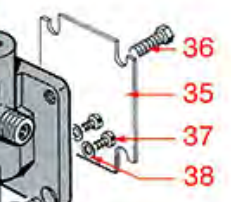
2 3 51 54 53 62 52



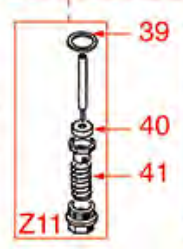
20
22
21
18
23
24
25
26
27
10
28
29
55
56



30
32
31
33
Z11
34



36
35
37
38



39
40
41
Z11



43
44
45
S10
46



RANCILIO

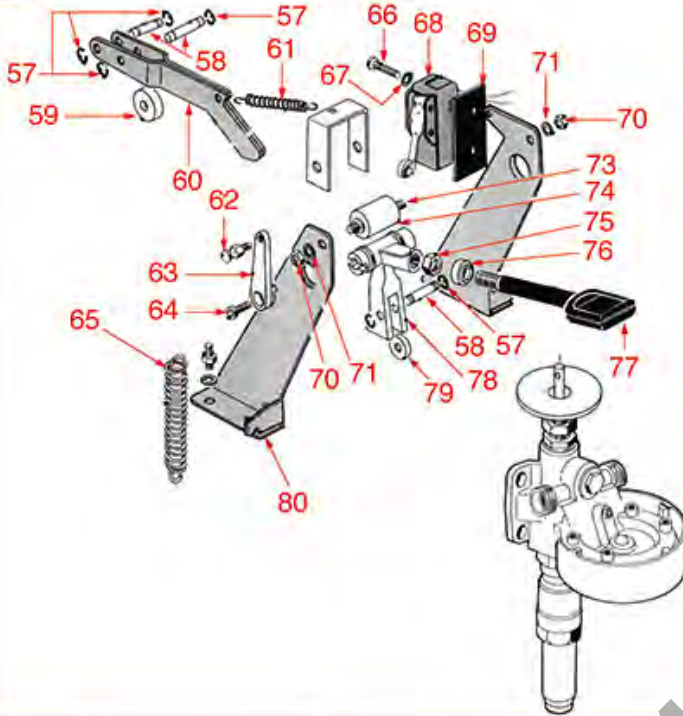


| Position | LF code no. | Description |
|----------|-------------|---|
| 2 | 1241513 | BLIND HEXAGONAL NUT M8 UNI 5721 |
| 3 | 1186504 | WASHER FLAT M10 |
| 7 | 1063911 | BEARING 6202 ZZ NSK |
| 8 | 1242654 | CIRCLIP E/15 |
| 10 | 1528030 | MID HEXAGONAL NUT M6 |
| 11 | 1184820 | HEXAGON HEAD SCREW M6x25 |
| 14 | 1250023 | RADIAL SEEGER RING \varnothing 5 mm |
| 22 | 1250801 | LEVER GROUP SPRING |
| 25 | 1186817 | LIP SEAL \varnothing 51x38x7.5 mm |
| 27 | 1186816 | LIP SEAL \varnothing 50x38x7.5 mm |
| 28 | 1081003 | SHOWER SCREEN \varnothing 57.5 mm |
| 29 | 1186812 | FILTER HOLDER GASKET \varnothing 72x57x8 mm |
| 31 | 1186612 | O-RING 02025 VITON |
| 36 | 1528026 | CYLINDER HEAD SCREW M8x20 |
| 37 | 1184804 | CYLINDER HEAD SCREW M6x8 |
| 38 | 1186811 | COPPER FLAT GASKET \varnothing 10x6x1 mm |
| 39 | 1186823 | COPPER FLAT GASKET \varnothing 27x21.5x1 mm |
| 40 | 1186822 | VITON FLAT GASKET \varnothing 13x4x4 mm |
| 41 | 1250819 | VALVE SPRING \varnothing 16x30 mm |
| 43 | 1186619 | COPPER FLAT GASKET \varnothing 18x14x1.5 mm |
| 45 | 1523674 | NON-RETURN VALVE SPRING \varnothing 6x28 mm |
| 47 | 1160530 | 1 CUP FILTER 7 gr |
| 48 | 1160529 | FILTER 2-CUP 14 g |
| 49 | 1250101 | FILTER BLOCKING SPRING \varnothing 1,00 mm INOX |
| 50 | 1165046 | FILTER HOLDER RANCILIO |
| 51 | 1241511 | FILTER HOLDER HANDLE |
| 52 | 1022501 | SINGLE SPOUT \varnothing 3/8" |
| 53 | 1022502 | DOUBLE SPOUT \varnothing 3/8" |
| 54 | 1160559 | CHROME PLATED SCREW FOR SPOUT |
| 55 | 1190005 | PAPER SHIM \varnothing 70x57x0.5 mm |
| 56 | 1190003 | RUBBER SHIM \varnothing 70x57x1 mm EPDM |
| 57 | 1160251 | 1 CUP FILTER 6 g |
| 58 | 1160252 | FILTER 2-CUP 12 g |
| 59 | 1160339 | BLIND FILTER \varnothing 70x17 mm |
| 62 | 1022503 | STRAIGHT SINGLE SPOUT \varnothing 3/8" |
| 63 | 1160345 | 2 CUPS FILTER 18 gr |

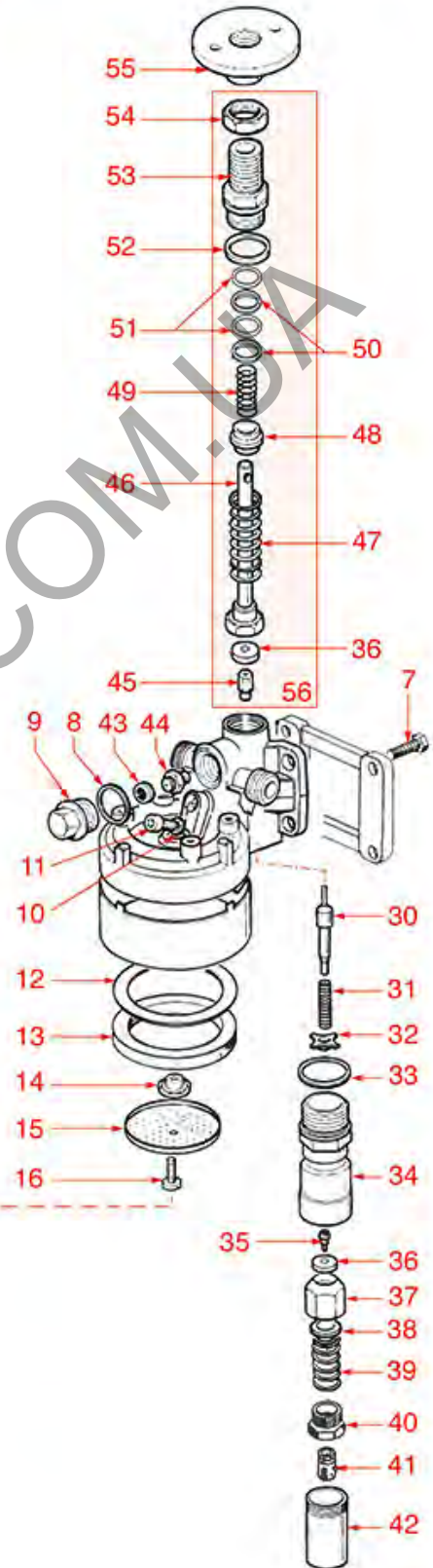


GROUP Z11-S10

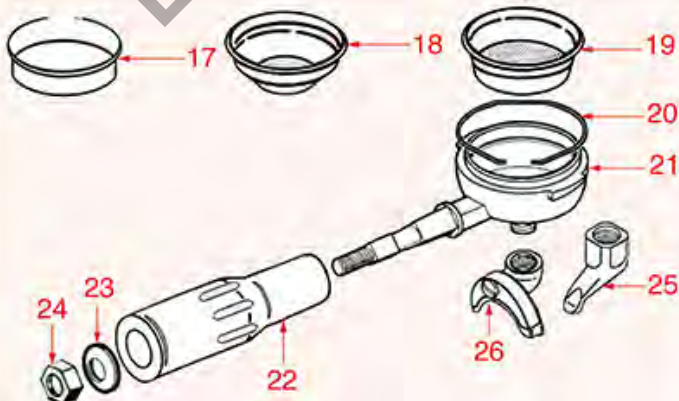
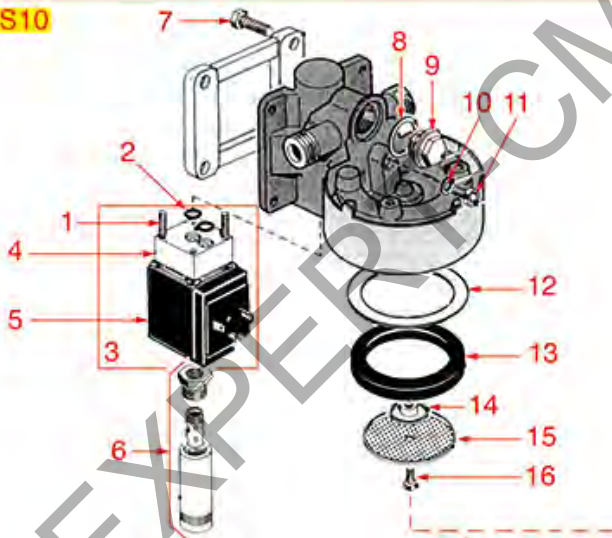
Z11



Z11



Z11-S10





RANCILIO



| Position | LF code no. | Description |
|----------|-------------|---|
| 1 | 1184006 | LOW CYLINDER HEAD SCREW M4x12 |
| 2 | 1186611 | O-RING 02025 RED SILICONE |
| 2 | 1186612 | O-RING 02025 VITON |
| 3 | 1120101 | 3-WAY SOLENOID VALVE PARKER 115V 50/60Hz |
| 3 | 1120102 | 3-WAY SOLENOID VALVE LUCIFER 115V 60Hz |
| 3 | 1120330 | 3-WAY SOLENOID VALVE LUCIFER 240V 50Hz |
| 3 | 1120335 | 3-WAY SOLENOID VALVE PARKER 230V 50/60Hz |
| 4 | 1120334 | 3-WAY MECHANICAL COMPONENT LUCIFER |
| 4 | 1120339 | 3-WAY MECHANICAL COMPONENT PARKER |
| 5 | 1120332 | COIL LUCIFER/PARKER 220/240V 9W 50Hz |
| 5 | 3120032 | COIL PARKER ZB09 9W 220/240V 50/60Hz |
| 6 | 1349037 | DRAIN PIPE |
| 7 | 1528026 | CYLINDER HEAD SCREW M8x20 |
| 8 | 1186810 | FLAT COPPER GASKET \varnothing 24x21x1 mm |
| 10 | 1186811 | COPPER FLAT GASKET \varnothing 10x6x1 mm |
| 11 | 1184804 | CYLINDER HEAD SCREW M6x8 |
| 12 | 1190001 | PAPER SHIM \varnothing 73x59x0.8 mm |
| 13 | 1186812 | FILTER HOLDER GASKET \varnothing 72x57x8 mm |
| 14 | 1349803 | BREW GROUP SPRAY NOZZLE \varnothing 21 mm |
| 15 | 1081036 | SHOWER \varnothing 57.5 mm |
| 15 | 1081536 | SHOWER SCREEN \varnothing 57.5 mm |
| 16 | 1528516 | CYLINDER HEAD SCREW M5x12 |
| 17 | 1160339 | BLIND FILTER \varnothing 70x17 mm |
| 18 | 1160251 | 1 CUP FILTER 6 g |
| 18 | 1160530 | 1 CUP FILTER 7 gr |
| 19 | 1160252 | FILTER 2-CUP 12 g |
| 19 | 1160345 | 2 CUPS FILTER 18 gr |
| 19 | 1160529 | FILTER 2-CUP 14 g |
| 20 | 1250101 | FILTER BLOCKING SPRING \varnothing 1,00 mm INOX |
| 21 | 1165046 | FILTER HOLDER RANCILIO |
| 22 | 1241511 | FILTER HOLDER HANDLE |
| 23 | 1186504 | WASHER FLAT M10 |
| 24 | 1241513 | BLIND HEXAGONAL NUT M8 UNI 5721 |
| 25 | 1022501 | SINGLE SPOUT \varnothing 3/8" |
| 25 | 1022503 | STRAIGHT SINGLE SPOUT \varnothing 3/8" |
| 26 | 1022502 | DOUBLE SPOUT \varnothing 3/8" |
| 33 | 1186828 | COPPER FLAT GASKET \varnothing 30x26x1 mm |
| 36 | 1186822 | VITON FLAT GASKET \varnothing 13x4x4 mm |
| 39 | 1250819 | VALVE SPRING \varnothing 16x30 mm |
| 43 | 1160801 | WATER FILTER M8x1 |
| 44 | 1501811 | NOZZLE M8x1 HOLE \varnothing 0,5 mm |
| 47 | 1250817 | VALVE SPRING \varnothing 17x39 mm |
| 49 | 1250816 | CAP SPRING \varnothing 12x22 mm |
| 50 | 1186809 | FLAT PTFE GASKET \varnothing 12x9x1 mm |
| 51 | 1186803 | O-RING 02037 EPDM |
| 52 | 1186810 | FLAT COPPER GASKET \varnothing 24x21x1 mm |
| 57 | 1348817 | CIRCLIP RADIAL \varnothing 4 mm |
| 58 | 1184853 | ROLL PIN |
| 61 | 1250810 | SPRING \varnothing 10x31/45 mm LEVER RECALL |
| 65 | 1250812 | SHOCK ABSORBER SPRING \varnothing 13x64 mm |
| 67 | 1348814 | TOOTHED WASHER EXT. M4 |
| 68 | 1240801 | MICROSWITCH LOVATO KSC3S |
| 70 | 1528030 | MID HEXAGONAL NUT M6 |
| 75 | 1528621 | HEXAGONAL NUT M8 SHORT M8 |

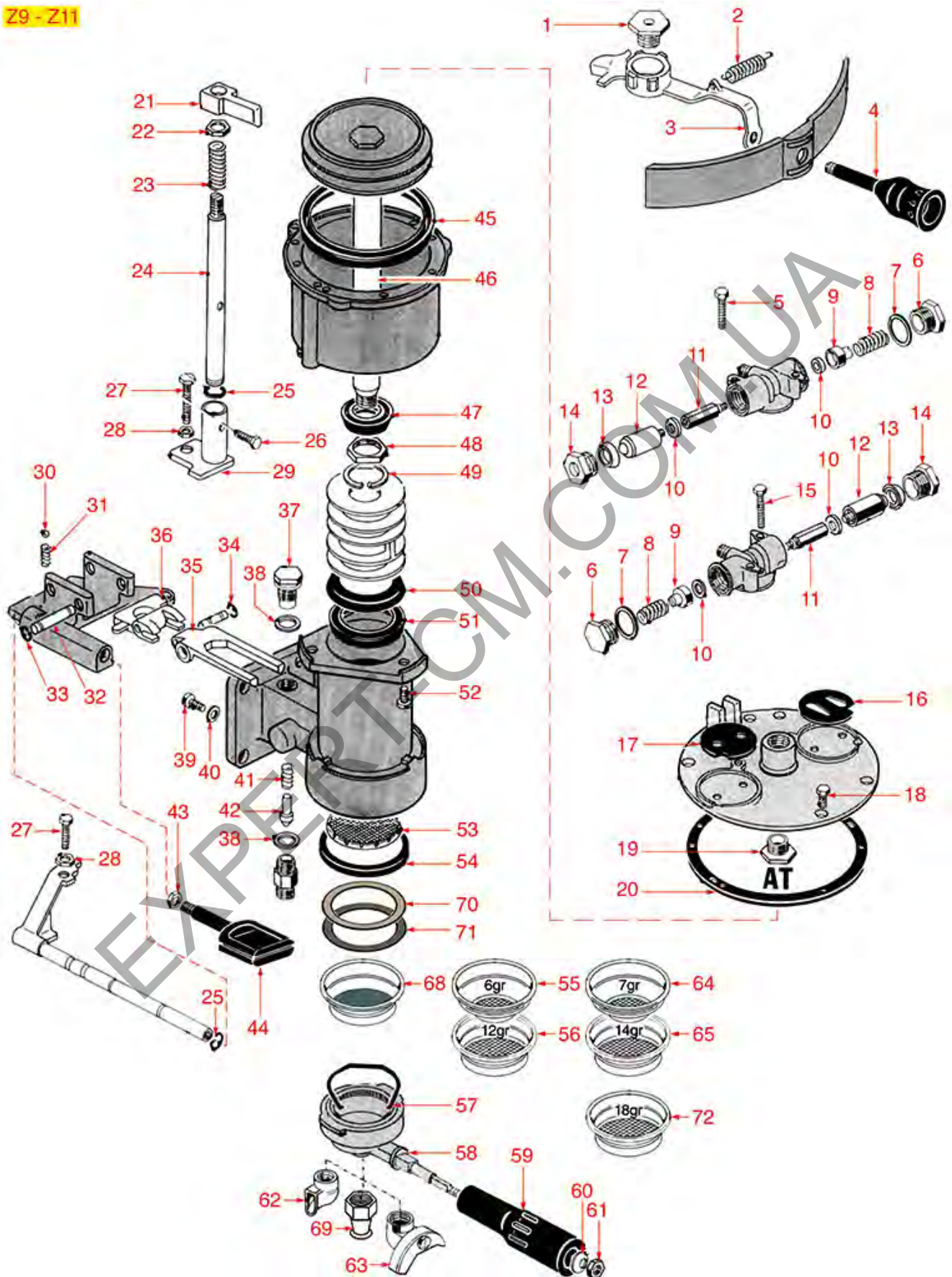


RANCILIO



AUTOMATIC GROUP Z9-Z11

Z9 - Z11



RA0302

Positions without LF code no.: upon request



RANCILIO



| Position | LF code no. | Description |
|----------|-------------|---|
| 2 | 1250808 | CONTROL LEVER SPRING \varnothing 14x23/40 mm |
| 7 | 1186410 | FLAT EPDM GASKET \varnothing 21x16x2 mm |
| 10 | 1186427 | FLAT EPDM GASKET \varnothing 10x4x2 mm |
| 13 | 1186460 | LIP SEAL \varnothing 19x13x4 mm |
| 16 | 1186825 | COFFEE GROUP GASKET \varnothing 32 mm |
| 17 | 1186826 | COFFEE GROUP GASKET \varnothing 32 mm |
| 20 | 1186827 | COFFEE GROUP GASKET \varnothing 125x105x1 mm |
| 22 | 1528621 | HEXAGONAL NUT M8 SHORT M8 |
| 23 | 1250816 | CAP SPRING \varnothing 12x22 mm |
| 25 | 1348326 | SPRING RING RADIAL \varnothing 7 mm |
| 26 | 1184867 | HEXAGON HEAD SCREW M4x16 |
| 28 | 3528213 | HEXAGONAL NUT MID M5 |
| 33 | 1250023 | RADIAL SEEGER RING \varnothing 5 mm |
| 38 | 1186619 | COPPER FLAT GASKET \varnothing 18x14x1.5 mm |
| 39 | 1184804 | CYLINDER HEAD SCREW M6x8 |
| 40 | 1186811 | COPPER FLAT GASKET \varnothing 10x6x1 mm |
| 41 | 1523674 | NON-RETURN VALVE SPRING \varnothing 6x28 mm |
| 43 | 1528030 | MID HEXAGONAL NUT M6 |
| 45 | 1186831 | LIP SEAL \varnothing 104x88x8 mm |
| 47 | 1186832 | LIP SEAL \varnothing 24x14x5 mm |
| 50 | 1186817 | LIP SEAL \varnothing 51x38x7.5 mm |
| 50 | 1186820 | LIP SEAL \varnothing 55x41x7.5 mm |
| 51 | 1186816 | LIP SEAL \varnothing 50x38x7.5 mm |
| 51 | 1186821 | LIP SEAL \varnothing 54x40x7.5 mm |
| 52 | 1528026 | CYLINDER HEAD SCREW M8x20 |
| 53 | 1081003 | SHOWER SCREEN \varnothing 57.5 mm |
| 54 | 1186812 | FILTER HOLDER GASKET \varnothing 72x57x8 mm |
| 55 | 1160251 | 1 CUP FILTER 6 g |
| 56 | 1160252 | FILTER 2-CUP 12 g |
| 57 | 1250101 | FILTER BLOCKING SPRING \varnothing 1,00 mm INOX |
| 58 | 1165046 | FILTER HOLDER RANCILIO |
| 59 | 1241511 | FILTER HOLDER HANDLE |
| 60 | 1186504 | WASHER FLAT M10 |
| 61 | 1241513 | BLIND HEXAGONAL NUT M8 UNI 5721 |
| 62 | 1022501 | SINGLE SPOUT \varnothing 3/8" |
| 63 | 1022502 | DOUBLE SPOUT \varnothing 3/8" |
| 64 | 1160530 | 1 CUP FILTER 7 gr |
| 65 | 1160529 | FILTER 2-CUP 14 g |
| 68 | 1160339 | BLIND FILTER \varnothing 70x17 mm |
| 69 | 1022503 | STRAIGHT SINGLE SPOUT \varnothing 3/8" |
| 70 | 1190005 | PAPER SHIM \varnothing 70x57x0.5 mm |
| 71 | 1190003 | RUBBER SHIM \varnothing 70x57x1 mm EPDM |
| 72 | 1160345 | 2 CUPS FILTER 18 gr |



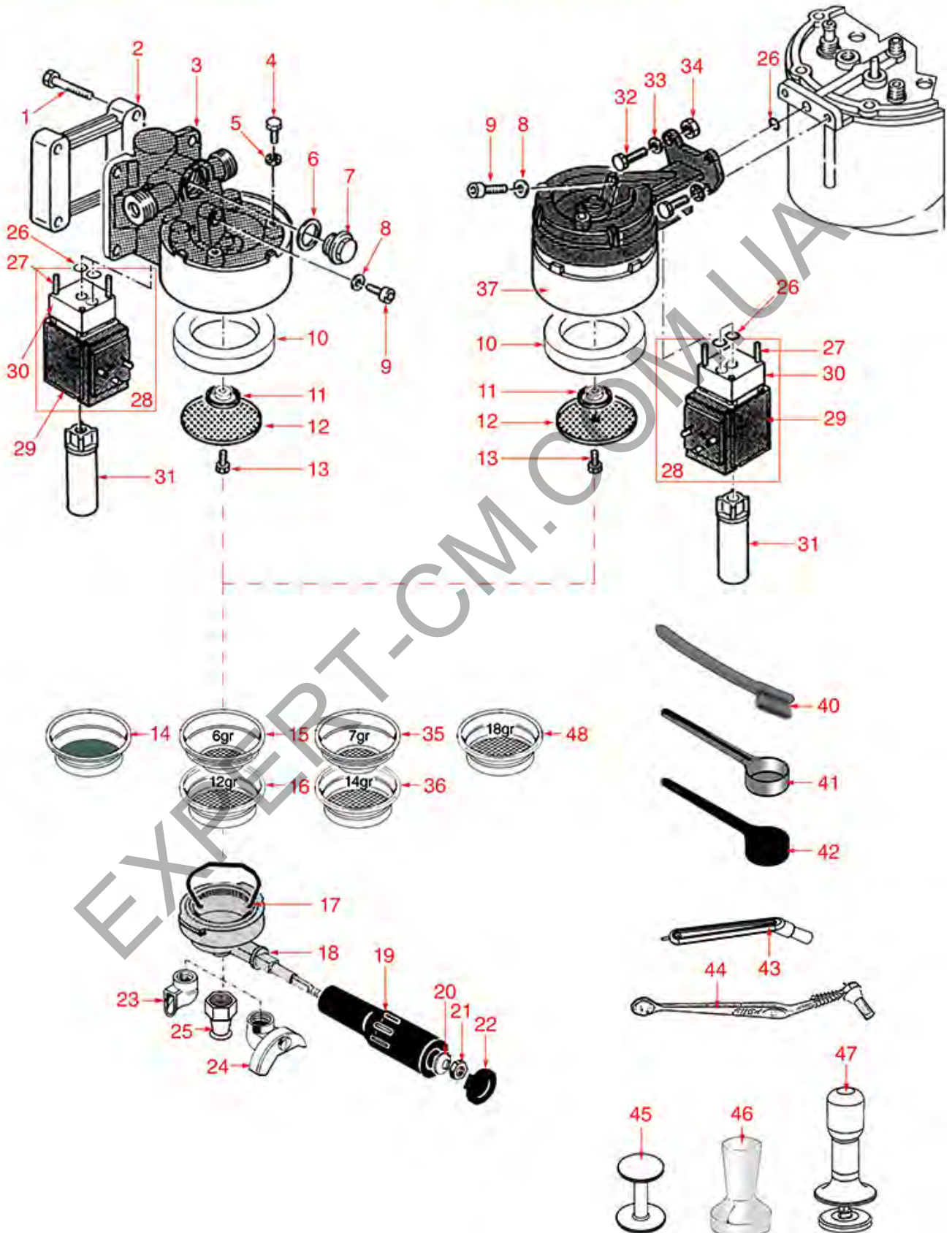
RANCILIO



GROUP S20

S20 - MIDI - TECNA - SYSTEM

S20 - S24 - S26 - S27



RA0402

Positions without LF code no.: upon request



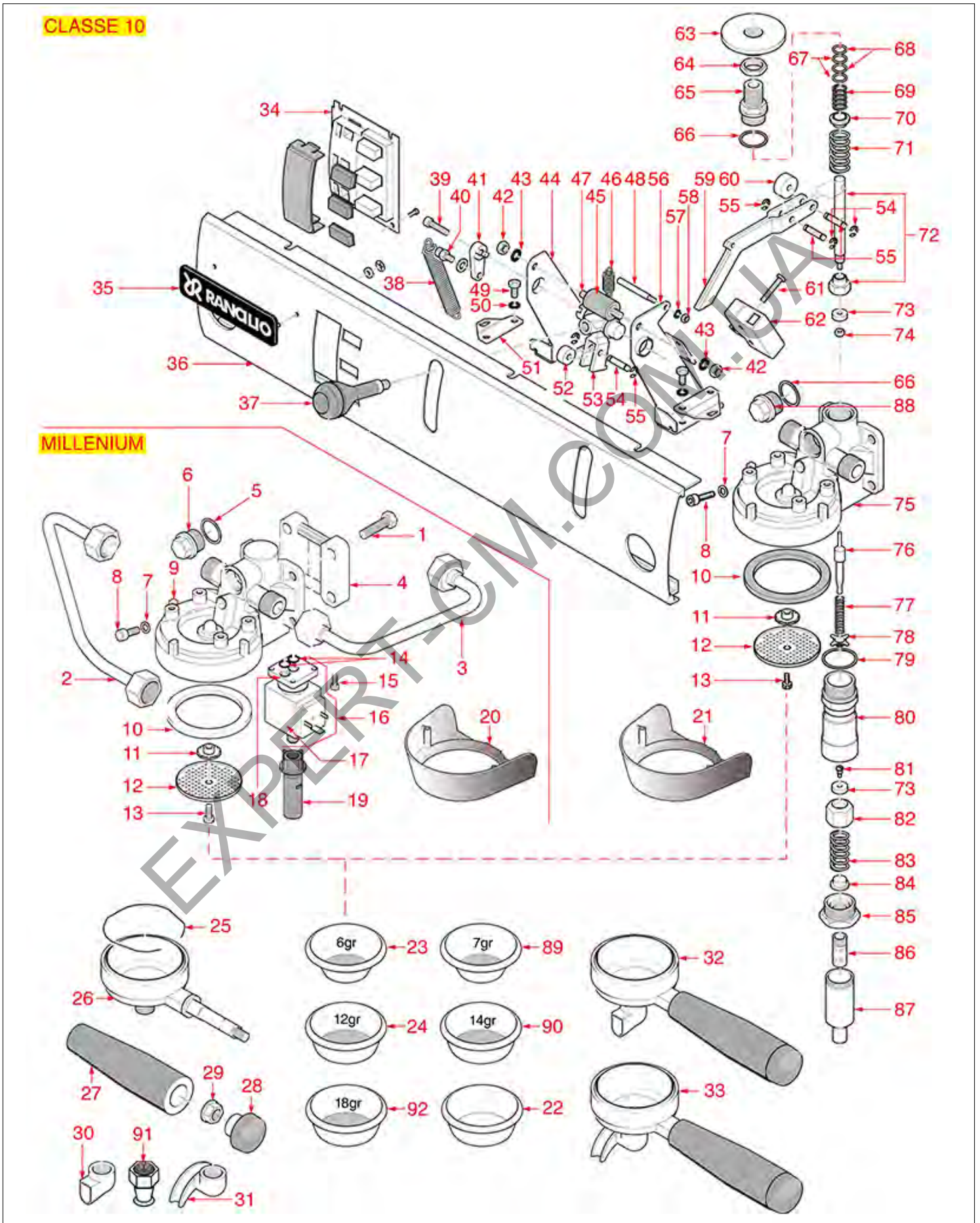
RANCILIO



| Position | LF code no. | Description |
|----------|-------------|--|
| 1 | 9528028 | HEXAGON HEAD SCREW M8x30 |
| 4 | 1184012 | CYLINDER HEAD SCREW M5x10 |
| 6 | 1186810 | FLAT COPPER GASKET \varnothing 24x21x1 mm |
| 8 | 1186811 | COPPER FLAT GASKET \varnothing 10x6x1 mm |
| 9 | 1184804 | CYLINDER HEAD SCREW M6x8 |
| 10 | 1186812 | FILTER HOLDER GASKET \varnothing 72x57x8 mm |
| 11 | 1349803 | BREW GROUP SPRAY NOZZLE \varnothing 21 mm |
| 12 | 1081036 | SHOWER \varnothing 57.5 mm |
| 12 | 1081536 | SHOWER SCREEN \varnothing 57.5 mm |
| 13 | 1528516 | CYLINDER HEAD SCREW M5x12 |
| 14 | 1160339 | BLIND FILTER \varnothing 70x17 mm |
| 15 | 1160251 | 1 CUP FILTER 6 g |
| 16 | 1160252 | FILTER 2-CUP 12 g |
| 17 | 1250101 | FILTER BLOCKING SPRING \varnothing 1,00 mm INOX |
| 18 | 1165046 | FILTER HOLDER RANCILIO |
| 19 | 1241511 | FILTER HOLDER HANDLE |
| 20 | 1186504 | WASHER FLAT M10 |
| 21 | 1241513 | BLIND HEXAGONAL NUT M8 UNI 5721 |
| 22 | 1241051 | FILTER HOLDER KNOB CAP |
| 23 | 1022501 | SINGLE SPOUT \varnothing 3/8" |
| 24 | 1022502 | DOUBLE SPOUT \varnothing 3/8" |
| 25 | 1022503 | STRAIGHT SINGLE SPOUT \varnothing 3/8" |
| 26 | 1186611 | O-RING 02025 RED SILICONE |
| 26 | 1186612 | O-RING 02025 VITON |
| 27 | 1455034 | CYLINDER HEAD SCREW M4x10 |
| 28 | 1120101 | 3-WAY SOLENOID VALVE PARKER 115V 50/60Hz |
| 28 | 1120102 | 3-WAY SOLENOID VALVE LUCIFER 115V 60Hz |
| 28 | 1120330 | 3-WAY SOLENOID VALVE LUCIFER 240V 50Hz |
| 28 | 1120335 | 3-WAY SOLENOID VALVE PARKER 230V 50/60Hz |
| 29 | 1120332 | COIL LUCIFER/PARKER 220/240V 9W 50Hz |
| 29 | 3120032 | COIL PARKER ZB09 9W 220/240V 50/60Hz |
| 30 | 1120334 | 3-WAY MECHANICAL COMPONENT LUCIFER |
| 30 | 1120339 | 3-WAY MECHANICAL COMPONENT PARKER |
| 31 | 1349037 | DRAIN PIPE |
| 32 | 1528026 | CYLINDER HEAD SCREW M8x20 |
| 34 | 1241513 | BLIND HEXAGONAL NUT M8 UNI 5721 |
| 35 | 1160530 | 1 CUP FILTER 7 gr |
| 36 | 1160529 | FILTER 2-CUP 14 g |
| 40 | 1384002 | BRUSH FOR MAINTENANCE |
| 41 | 1069002 | STAINLESS STEEL MEASURING SPOON 20 ml |
| 42 | 1069001 | PLASTIC MEASURING SPOON 20 ml |
| 43 | 1384001 | BRUSH FOR COFFEE SHOWER |
| 44 | 1384003 | BLACK SHOWER CLEANING BRUSH |
| 45 | 1385002 | NYLON COFFEE TAMPER \varnothing 50/57 mm |
| 46 | 1385053 | ANODIZED ALUMINIUM TAMPER \varnothing 58 mm |
| 47 | 1385600 | DYNAMOMETRIC MANUAL COFFEE TAMPER \varnothing 57mm |
| 47 | 1385602 | TAMPER MANUAL DYNAMOMETRICAL \varnothing 57 mm |
| 48 | 1160345 | 2 CUPS FILTER 18 gr |



GROUP CLASSE10-MILLENIUM



Positions without LF code no.: upon request



RANCILIO



| Position | LF code no. | Description |
|----------|-------------|---|
| 1 | 9528028 | HEXAGON HEAD SCREW M8x30 |
| 5 | 1186810 | FLAT COPPER GASKET \varnothing 24x21x1 mm |
| 7 | 1186811 | COPPER FLAT GASKET \varnothing 10x6x1 mm |
| 8 | 1184804 | CYLINDER HEAD SCREW M6x8 |
| 10 | 1186812 | FILTER HOLDER GASKET \varnothing 72x57x8 mm |
| 11 | 1349803 | BREW GROUP SPRAY NOZZLE \varnothing 21 mm |
| 12 | 1081036 | SHOWER \varnothing 57.5 mm |
| 12 | 1081536 | SHOWER SCREEN \varnothing 57.5 mm |
| 13 | 1528516 | CYLINDER HEAD SCREW M5x12 |
| 14 | 1186611 | O-RING 02025 RED SILICONE |
| 14 | 1186612 | O-RING 02025 VITON |
| 15 | 1455034 | CYLINDER HEAD SCREW M4x10 |
| 16 | 1120101 | 3-WAY SOLENOID VALVE PARKER 115V 50/60Hz |
| 16 | 1120102 | 3-WAY SOLENOID VALVE LUCIFER 115V 60Hz |
| 16 | 1120330 | 3-WAY SOLENOID VALVE LUCIFER 240V 50Hz |
| 16 | 1120335 | 3-WAY SOLENOID VALVE PARKER 230V 50/60Hz |
| 17 | 1120332 | COIL LUCIFER/PARKER 220/240V 9W 50Hz |
| 17 | 3120032 | COIL PARKER ZB09 9W 220/240V 50/60Hz |
| 18 | 1120334 | 3-WAY MECHANICAL COMPONENT LUCIFER |
| 18 | 1120339 | 3-WAY MECHANICAL COMPONENT PARKER |
| 19 | 1349037 | DRAIN PIPE |
| 21 | 1002003 | GROUP COVERING RING |
| 22 | 1160339 | BLIND FILTER \varnothing 70x17 mm |
| 23 | 1160251 | 1 CUP FILTER 6 g |
| 24 | 1160252 | FILTER 2-CUP 12 g |
| 25 | 1250101 | FILTER BLOCKING SPRING \varnothing 1,00 mm INOX |
| 26 | 1165046 | FILTER HOLDER RANCILIO |
| 27 | 1241047 | FILTER HOLDER KNOB |
| 28 | 1241050 | FILTER HOLDER KNOB CAP |
| 29 | 1186504 | WASHER FLAT M10 |
| 29 | 1241513 | BLIND HEXAGONAL NUT M8 UNI 5721 |
| 30 | 1022501 | SINGLE SPOUT \varnothing 3/8" |
| 31 | 1022502 | DOUBLE SPOUT \varnothing 3/8" |
| 32 | 1160521 | 1 CUP FILTER HOLDER ASSEMBLY RANCILIO |
| 32 | 1165621 | FILTER HOLDER COMPLETE 1 CUP RANCILIO |
| 33 | 1160545 | 2 CUPS FILTER HOLDER ASSEMBLY RANCILIO |
| 33 | 1165645 | FILTER HOLDER COMPLETE 2 CUPS RANCILIO |
| 34 | 1319105 | PUSH-BUTTON PANEL 3 BUTTONS |
| 38 | 1250812 | SHOCK ABSORBER SPRING \varnothing 13x64 mm |
| 39 | 1528023 | COUNTERSUNK FLAT HEAD SCREWS M5x16 |
| 46 | 1250029 | LEVER SPRING \varnothing 10x13/27 mm |
| 54 | 1348817 | CIRCLIP RADIAL \varnothing 4 mm |
| 55 | 1184853 | ROLL PIN |
| 62 | 1240847 | MICROSWITCH OMRON VX-5-1A2 |
| 66 | 1186810 | FLAT COPPER GASKET \varnothing 24x21x1 mm |
| 67 | 1186809 | FLAT PTFE GASKET \varnothing 12x9x1 mm |
| 68 | 1186803 | O-RING 02037 EPDM |
| 69 | 1250816 | CAP SPRING \varnothing 12x22 mm |
| 71 | 1250817 | VALVE SPRING \varnothing 17x39 mm |
| 73 | 1186822 | VITON FLAT GASKET \varnothing 13x4x4 mm |
| 79 | 1186828 | COPPER FLAT GASKET \varnothing 30x26x1 mm |
| 83 | 1250819 | VALVE SPRING \varnothing 16x30 mm |
| 89 | 1160530 | 1 CUP FILTER 7 gr |
| 90 | 1160529 | FILTER 2-CUP 14 g |
| 91 | 1022503 | STRAIGHT SINGLE SPOUT \varnothing 3/8" |
| 92 | 1160345 | 2 CUPS FILTER 18 gr |

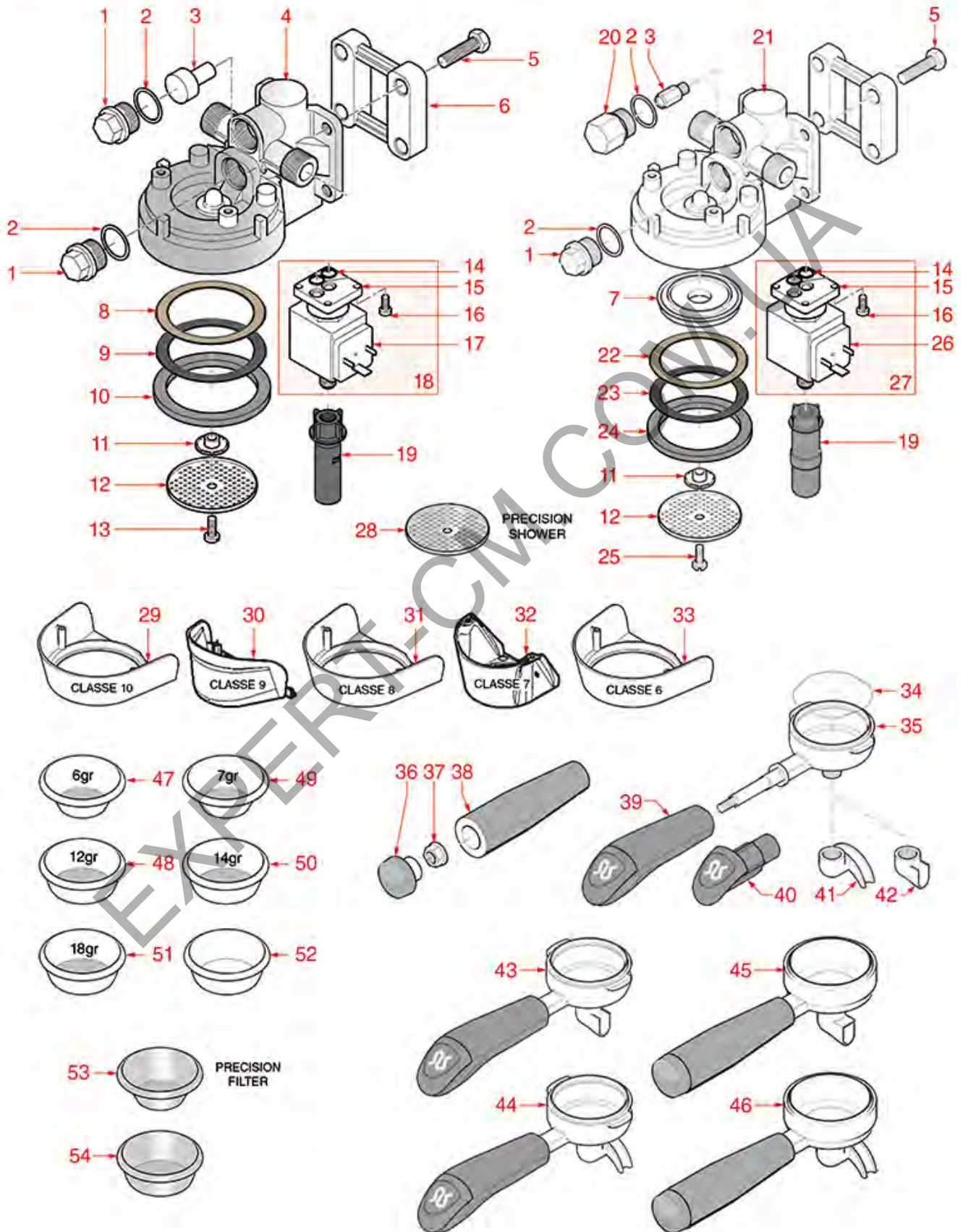


RANCILIO



GROUP CLASSE10-9-8-7-6-EPOCA

CLASSE10-CLASSE9-CLASSE8-CLASSE7-CLASSE6-EPOCA



RA0602

Positions without LF code no.: upon request



RANCILIO

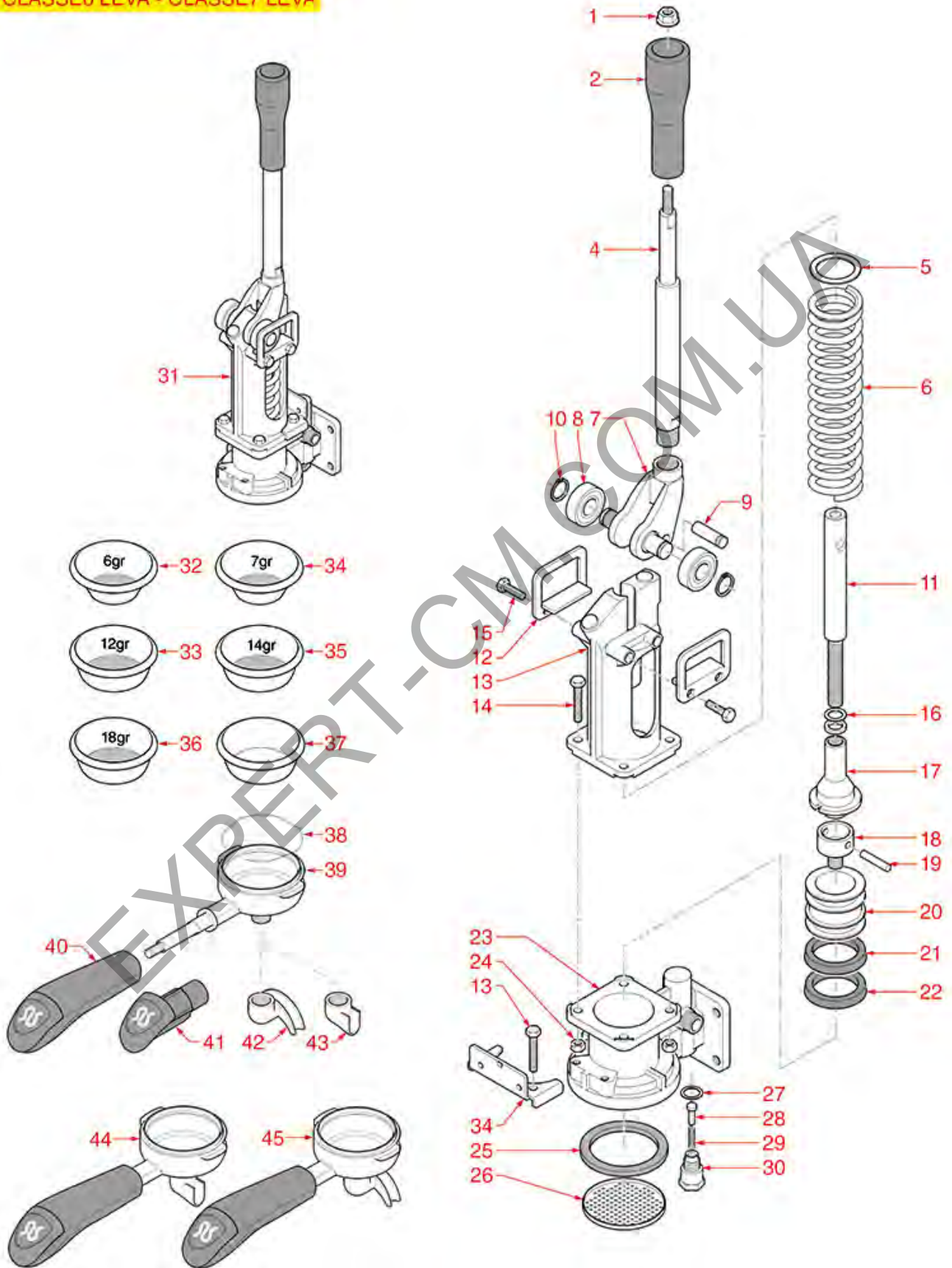


| Position | LF code no. | Description |
|----------|-------------|--|
| 1 | 1439028 | CAP ø 18 mm FOR BREW GROUP |
| 2 | 1186677 | FLAT COPPER GASKET ø 22x18x1.8 mm |
| 3 | 1501811 | NOZZLE M8x1 HOLE ø 0,5 mm |
| 5 | 9528028 | HEXAGON HEAD SCREW M8x30 |
| 7 | 1086014 | SHOWER HOLDER DIFFUSER |
| 8 | 1190005 | PAPER SHIM ø 70x57x0.5 mm |
| 9 | 1190003 | RUBBER SHIM ø 70x57x1 mm EPDM |
| 10 | 1186812 | FILTER HOLDER GASKET ø 72x57x8 mm |
| 11 | 1349803 | BREW GROUP SPRAY NOZZLE ø 21 mm |
| 12 | 1081036 | SHOWER ø 57.5 mm |
| 12 | 1081536 | SHOWER SCREEN ø 57.5 mm |
| 13 | 1528516 | CYLINDER HEAD SCREW M5x12 |
| 14 | 1186611 | O-RING 02025 RED SILICONE |
| 14 | 1186612 | O-RING 02025 VITON |
| 15 | 1120334 | 3-WAY MECHANICAL COMPONENT LUCIFER |
| 15 | 1120339 | 3-WAY MECHANICAL COMPONENT PARKER |
| 16 | 1184006 | LOW CYLINDER HEAD SCREW M4x12 |
| 17 | 1120332 | COIL LUCIFER/PARKER 220/240V 9W 50Hz |
| 17 | 3120032 | COIL PARKER ZB09 9W 220/240V 50/60Hz |
| 18 | 1120101 | 3-WAY SOLENOID VALVE PARKER 115V 50/60Hz |
| 18 | 1120102 | 3-WAY SOLENOID VALVE LUCIFER 115V 60Hz |
| 18 | 1120330 | 3-WAY SOLENOID VALVE LUCIFER 240V 50Hz |
| 18 | 1120335 | 3-WAY SOLENOID VALVE PARKER 230V 50/60Hz |
| 19 | 1349037 | DRAIN PIPE |
| 22 | 1190001 | PAPER SHIM ø 73x59x0.8 mm |
| 23 | 1190002 | RUBBER SHIM ø 73x59x1 mm EPDM |
| 24 | 1486032 | GASKET FILTER HOLDER ø 74x57.5x8.5 mm |
| 24 | 5048248 | GASKET FOR FILTER HOLD.ø 74x57.5x8.5 mm |
| 25 | 1528012 | CYLINDER HEAD SCREW M5x14 |
| 27 | 5501167 | SOLENOID VALVE ODE 3 WAYS 24VDC |
| 28 | 1460203 | PRECISION SHOWER SCREEN ø 57 mm |
| 28 | 1460208 | PRECISION SHOWER SCREEN ø 57 mm |
| 29 | 1002003 | GROUP COVERING RING |
| 32 | 5059967 | RING GROUP COVER |
| 34 | 1250002 | S/STEEL FILTER LOCKING SPRING ø 1.20 mm |
| 34 | 1250101 | FILTER BLOCKING SPRING ø 1,00 mm INOX |
| 34 | 1250333 | SPRING FILTER BLOCK ø 1.30 mm ST.STEEL |
| 34 | 1250338 | FILTER LOCKING SPRING ø 1.40 mm ST.STEEL |
| 35 | 1165046 | FILTER HOLDER RANCILIO |
| 36 | 1241050 | FILTER HOLDER KNOB CAP |
| 37 | 1241513 | BLIND HEXAGONAL NUT M8 UNI 5721 |
| 38 | 1241047 | FILTER HOLDER KNOB |
| 39 | 1141012 | KNOB FILTER HOLDER |
| 41 | 1022502 | DOUBLE SPOUT ø 3/8" |
| 41 | 1022506 | SPOUT DOUBLE ø 3/8" |
| 42 | 1022032 | SINGLE SPOUT ø 3/8" |
| 42 | 1022501 | SINGLE SPOUT ø 3/8" |
| 43 | 1165214 | FILTER HOLDER COMPLETE 1 CUP RANCILIO |
| 44 | 1165215 | FILTER HOLDER COMPLETE 2 CUPS RANCILIO |
| 45 | 1160521 | 1 CUP FILTER HOLDER ASSEMBLY RANCILIO |
| 45 | 1165621 | FILTER HOLDER COMPLETE 1 CUP RANCILIO |
| 46 | 1160545 | 2 CUPS FILTER HOLDER ASSEMBLY RANCILIO |
| 46 | 1165645 | FILTER HOLDER COMPLETE 2 CUPS RANCILIO |
| 47 | 1160251 | 1 CUP FILTER 6 g |
| 48 | 1160252 | FILTER 2-CUP 12 g |
| 49 | 1160530 | 1 CUP FILTER 7 gr |
| 50 | 1160529 | FILTER 2-CUP 14 g |
| 51 | 1160345 | 2 CUPS FILTER 18 gr |
| 52 | 1160339 | BLIND FILTER ø 70x17 mm |
| 53 | 1460100 | PRECISION FILTER 1 CUP 6/8 g H24.5 |
| 53 | 1460101 | PRECISION FILTER 1 CUP 7/9 g H26.5 |
| 54 | 1460102 | PRECISION FILTER 2 CUPS 12/18 g H24.5 |
| 54 | 1460103 | PRECISION FILTER 2 CUPS 14/20 g H26.5 |
| 54 | 1460104 | PRECISION FILTER 2 CUPS 18/22 g H28,5 |



GROUP CLASSE6-7 LEVA

CLASSE6 LEVA - CLASSE7 LEVA



RA0702

Positions without LF code no.: upon request



RANCILIO



| Position | LF code no. | Description |
|----------|-------------|--|
| 1 | 1241513 | BLIND HEXAGONAL NUT M8 UNI 5721 |
| 6 | 1250801 | LEVER GROUP SPRING |
| 8 | 1063911 | BEARING 6202 ZZ NSK |
| 10 | 1242654 | CIRCLIP E/15 |
| 14 | 1184820 | HEXAGON HEAD SCREW M6x25 |
| 15 | 3528112 | HEXAGONAL HEAD SCREW M6x16 |
| 21 | 1186817 | LIP SEAL \varnothing 51x38x7.5 mm |
| 22 | 1186816 | LIP SEAL \varnothing 50x38x7.5 mm |
| 24 | 1528030 | MID HEXAGONAL NUT M6 |
| 25 | 1486032 | GASKET FILTER HOLDER \varnothing 74x57.5x8.5 mm |
| 25 | 5048248 | GASKET FOR FILTER HOLD. \varnothing 74x57.5x8.5 mm |
| 26 | 1081003 | SHOWER SCREEN \varnothing 57.5 mm |
| 27 | 1186619 | COPPER FLAT GASKET \varnothing 18x14x1.5 mm |
| 29 | 1523674 | NON-RETURN VALVE SPRING \varnothing 6x28 mm |
| 32 | 1160251 | 1 CUP FILTER 6 g |
| 33 | 1160252 | FILTER 2-CUP 12 g |
| 34 | 1160530 | 1 CUP FILTER 7 gr |
| 35 | 1160529 | FILTER 2-CUP 14 g |
| 36 | 1160345 | 2 CUPS FILTER 18 gr |
| 37 | 1160339 | BLIND FILTER \varnothing 70x17 mm |
| 38 | 1250002 | S/STEEL FILTER LOCKING SPRING \varnothing 1.20 mm |
| 38 | 1250101 | FILTER BLOCKING SPRING \varnothing 1,00 mm INOX |
| 38 | 1250333 | SPRING FILTER BLOCK \varnothing 1.30 mm ST.STEEL |
| 38 | 1250338 | FILTER LOCKING SPRING \varnothing 1.40 mm ST.STEEL |
| 39 | 1165046 | FILTER HOLDER RANCILIO |
| 40 | 1141012 | KNOB FILTER HOLDER |
| 42 | 1022506 | SPOUT DOUBLE \varnothing 3/8" |
| 43 | 1022032 | SINGLE SPOUT \varnothing 3/8" |
| 44 | 5076427 | FILTER HOLDER COMPLETE 1 CUP RANCILIO |
| 45 | 5077808 | FILTER HOLDER COMPLETE 2 CUPS RANCILIO |

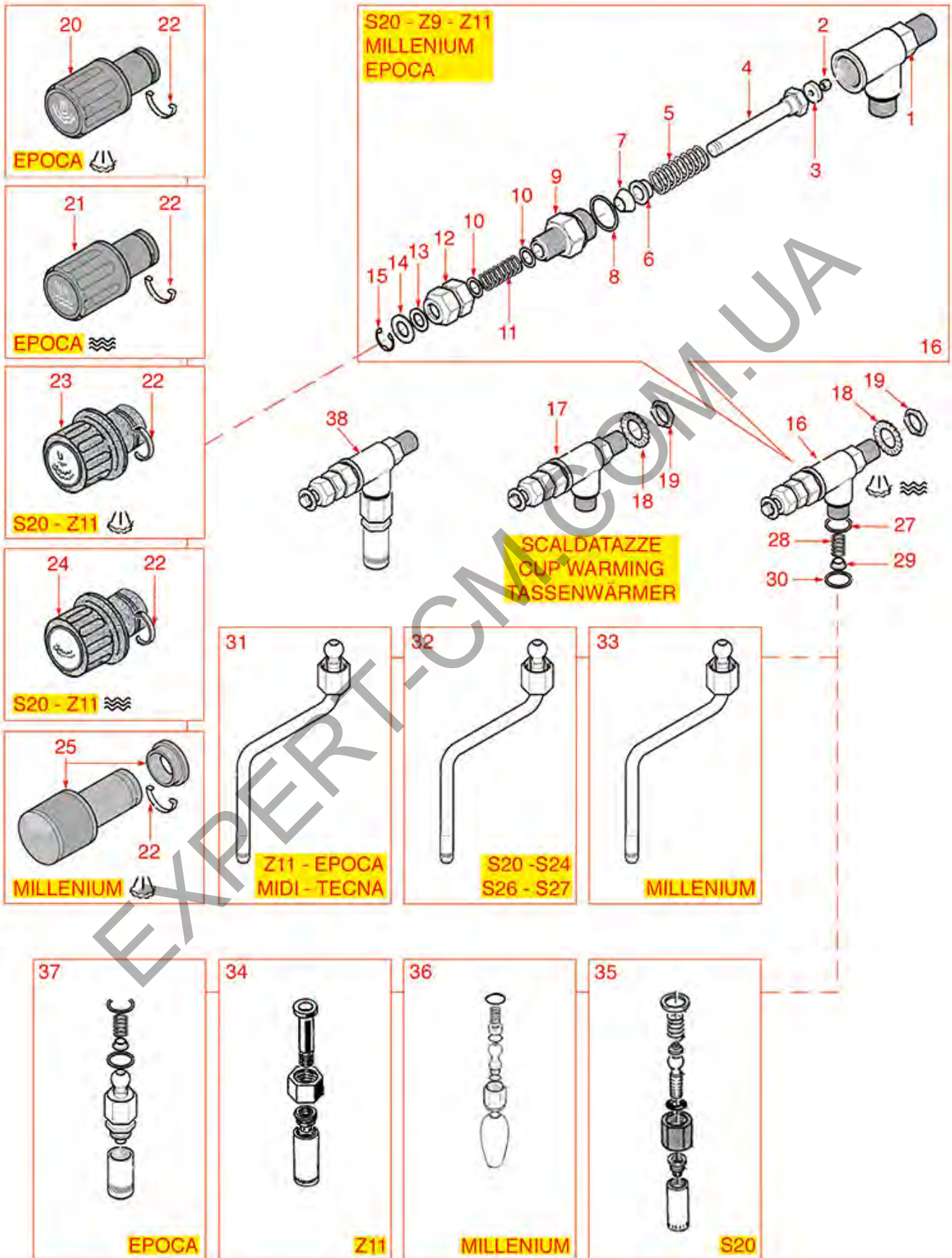
EXPERT-CM.COM.UA



RANCILIO



WATER-STEAM TAP Z9-Z11-S20-EPOCA





RANCILIO



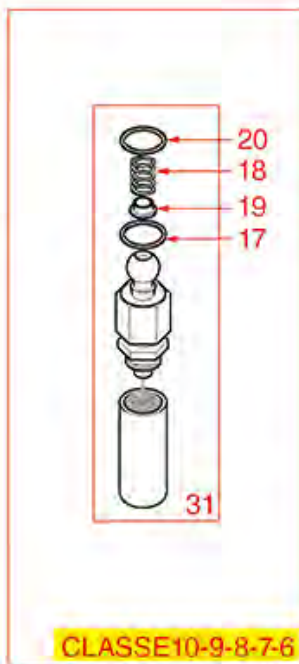
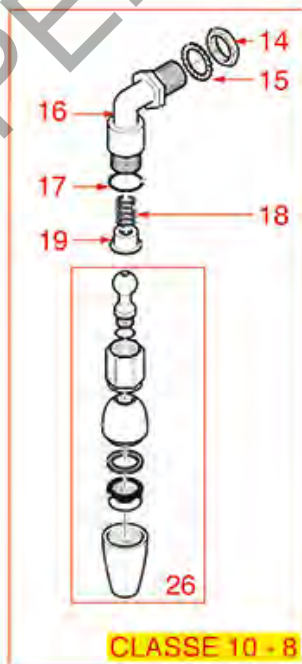
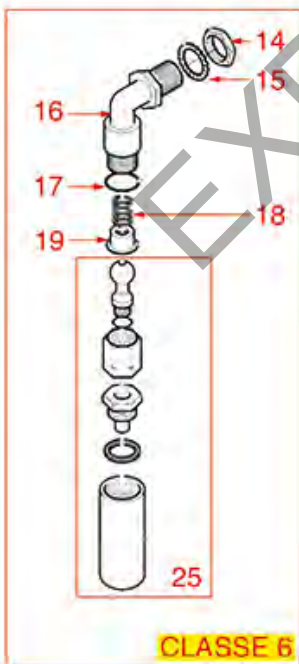
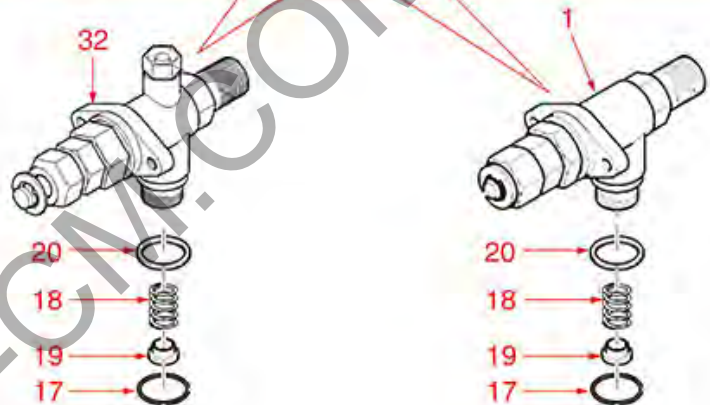
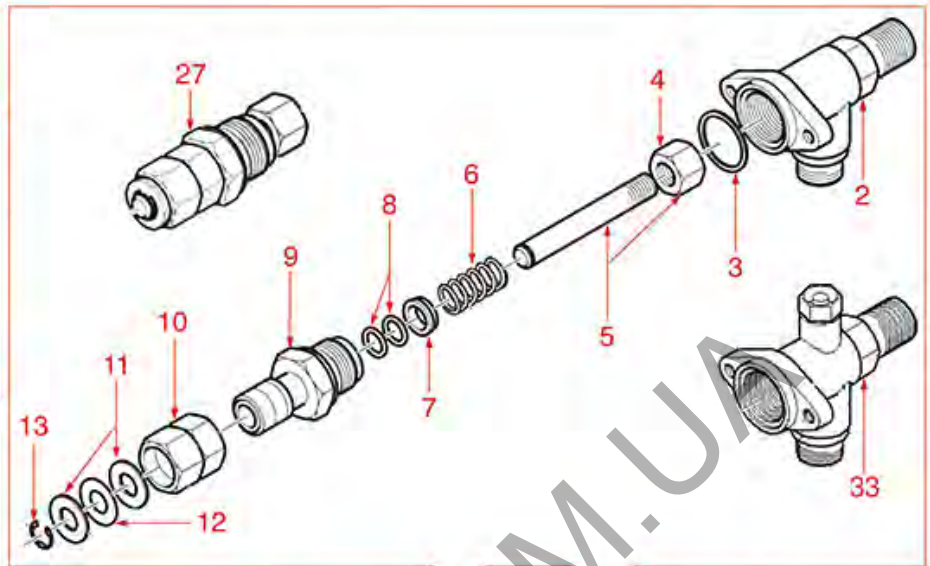
| Position | LF code no. | Description |
|----------|-------------|--|
| 2 | 1528022 | GASKET FASTENING NUT |
| 3 | 1186311 | NBR FLAT GASKET \varnothing 13x4x4 mm |
| 4 | 1324802 | TAP SPINDLE ASSEMBLY |
| 5 | 1250819 | VALVE SPRING \varnothing 16x30 mm |
| 6 | 1250025 | SPRING GUIDE |
| 7 | 1186804 | CONICAL PTFE SEAL \varnothing 14x9x6 mm |
| 8 | 1186810 | FLAT COPPER GASKET \varnothing 24x21x1 mm |
| 9 | 1349038 | TAP PIN |
| 10 | 1186814 | BRASS WASHER \varnothing 13x9x0.5 mm FLAT |
| 11 | 1250816 | CAP SPRING \varnothing 12x22 mm |
| 12 | 1348052 | TAP ADJUSTING BUSHING |
| 13 | 1186443 | PTFE FLAT GASKET \varnothing 18x9x0.5 mm |
| 14 | 1528017 | BRASS WASHER FLAT \varnothing 17x9x1 mm |
| 15 | 1348326 | SPRING RING RADIAL \varnothing 7 mm |
| 16 | 1348805 | STEAM TAP |
| 17 | 1348804 | CUP WARMER WATER TAP |
| 19 | 1449804 | NUT \varnothing 3/8" F H4 SPANNER 19 |
| 20 | 1241046 | WATER/STEAM TAP KNOB |
| 21 | 1241824 | WATER TAP KNOB |
| 22 | 1250820 | STEAM HANDLE SPRING |
| 23 | 1241831 | STEAM TAP KNOB |
| 24 | 1241830 | WATER TAP KNOB |
| 25 | 1241833 | WATER/STEAM TAP KNOB |
| 27 | 1186805 | O-RING 0115 EPDM |
| 28 | 1250151 | SPRING \varnothing 12x15 mm FOR STEAM PIPE |
| 29 | 1186670 | STEAM PIPE ARTICULATION BUSHING \varnothing 12x5mm |
| 30 | 1186201 | GASKET FLAT PTFE \varnothing 21x16.8x2 mm |
| 31 | 1449811 | COMPLETE STEAM PIPE |
| 32 | 1449051 | STEAM PIPE COMPLETE CHROME-PLATED \varnothing 10 m |
| 33 | 1449863 | STEAM PIPE COMPLETE STAINLESS STEEL \varnothing 10 |
| 33 | 1449865 | STAINLESS STEEL STEAM PIPE COMPLETE |
| 36 | 1449864 | COMPLETE WATER PIPE |

EXPERT-CHEM.COM.UA



WATER-STEAM TAP CLASSE10-9-8-7-6

CLASSE10-9-8-7-6





RANCILIO



| Position | LF code no. | Description |
|----------|-------------|--|
| 1 | 1348855 | STEAM/WATER TAP |
| 3 | 1186810 | FLAT COPPER GASKET \varnothing 24x21x1 mm |
| 4 | 1528019 | NUT WITH GASKET |
| 5 | 1324078 | TAP ROD |
| 6 | 1250026 | SPRING \varnothing 12x31 mm |
| 7 | 1250027 | SPRING GUIDE |
| 8 | 1186803 | O-RING 02037 EPDM |
| 9 | 1348046 | TAP PIN |
| 10 | 1348045 | TAP BUSHING |
| 11 | 1528020 | WASHER FLAT LARGE M8 |
| 12 | 1186443 | PTFE FLAT GASKET \varnothing 18x9x0.5 mm |
| 13 | 1348326 | SPRING RING RADIAL \varnothing 7 mm |
| 14 | 1449804 | NUT \varnothing 3/8" F4 SPANNER 19 |
| 17 | 1186805 | O-RING 0115 EPDM |
| 18 | 1250151 | SPRING \varnothing 12x15 mm FOR STEAM PIPE |
| 19 | 1186670 | STEAM PIPE ARTICULATION BUSHING \varnothing 12x5mm |
| 20 | 1186201 | GASKET FLAT PTFE \varnothing 21x16.8x2 mm |
| 21 | 1241048 | STEAM TAP KNOB |
| 22 | 1250820 | STEAM HANDLE SPRING |
| 23 | 1241046 | WATER/STEAM TAP KNOB |
| 24 | 1449811 | COMPLETE STEAM PIPE |
| 24 | 1449865 | STAINLESS STEEL STEAM PIPE COMPLETE |
| 26 | 1449053 | COMPLETE WATER PIPE |
| 27 | 5057551 | PIN FOR TAP |
| 28 | 5062752 | KNOB WATER TAP |
| 29 | 5056833 | KNOB STEAM TAP |
| 30 | 1449863 | STEAM PIPE COMPLETE STAINLESS STEEL \varnothing 10 |

EXPERT-CM.COM.UA

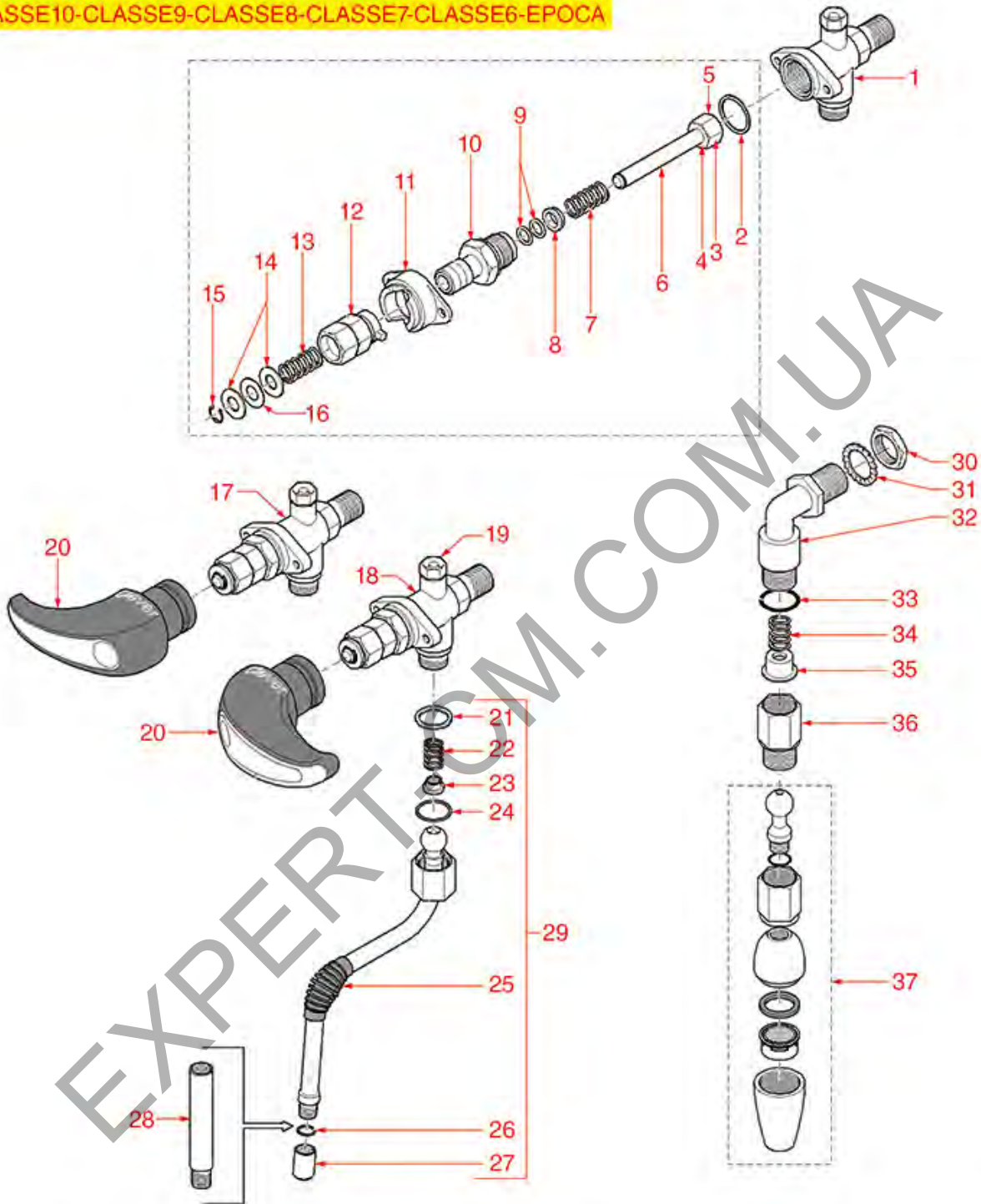


RANCILIO



WATER-STEAM TAP CLASSE10-9-8-7-6

CLASSE10-CLASSE9-CLASSE8-CLASSE7-CLASSE6-EPOCA



| | | | | | |
|---------------|---------------|---|--|--|---|
| 0+100°C 50 | 0+100°C 51 | INOX 18/10 100 101 102 0,60L 6 cups 103 0,70L 9 cups 104 1,10L 12 cups 105 106 | INOX 18/10 0,20L 2 cups 200 0,30L 3 cups 201 0,45L 4 cups 202 0,60L 6 cups 203 0,70L 9 cups 204 1,10L 12 cups 205 206 | INOX AISI 202 0,10L 1 cup 300 301 0,35L 3 cups 302 0,60L 6 cups 303 1,00L 10 cups 304 1,50L 12 cups 305 306 | INOX 18/10 0,25L 2 cups 400 0,35L 3 cups 401 0,50L 4 cups 402 0,75L 6 cups 403 1,00L 10 cups 404 1,50L 13 cups 405 406 |
|---------------|---------------|---|--|--|---|

RA1202

Positions without LF code no.: upon request



RANCILIO

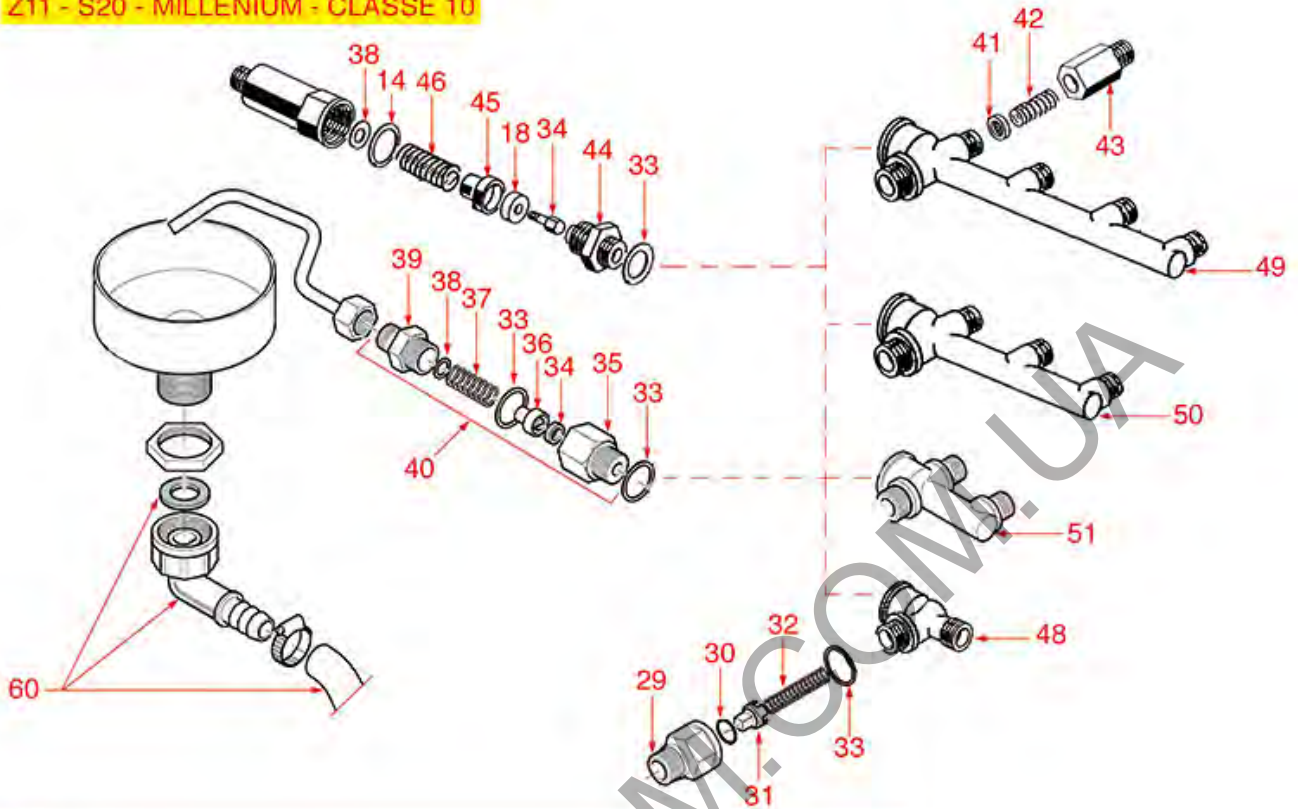


| Position | LF code no. | Description |
|----------|-------------|--|
| 2 | 1186810 | FLAT COPPER GASKET \varnothing 24x21x1 mm |
| 4 | 1528019 | NUT WITH GASKET |
| 5 | 1186175 | BLIND GASKET \varnothing 13x4 mm |
| 6 | 1324078 | TAP ROD |
| 7 | 1250026 | SPRING \varnothing 12x31 mm |
| 8 | 1250027 | SPRING GUIDE |
| 9 | 1186803 | O-RING 02037 EPDM |
| 11 | 1548054 | BUSHING TAP RH |
| 11 | 1548055 | BUSHING TAAP LH |
| 12 | 1548054 | BUSHING TAP RH |
| 12 | 1548055 | BUSHING TAAP LH |
| 14 | 1528020 | WASHER FLAT LARGE M8 |
| 15 | 1348326 | SPRING RING RADIAL \varnothing 7 mm |
| 16 | 1186443 | PTFE FLAT GASKET \varnothing 18x9x0.5 mm |
| 17 | 5033627 | QUICK LEFT STEAM TAP WITH VENTING |
| 18 | 5033628 | QUICK RIGHT STEAM TAP WITH VENTING |
| 20 | 5033626 | STEAM TAP KNOB |
| 21 | 1186201 | GASKET FLAT PTFE \varnothing 21x16.8x2 mm |
| 22 | 1250224 | SPRING \varnothing 12x12 mm |
| 23 | 1186793 | CONICAL PTFE SEAL \varnothing 12x6.5 mm |
| 24 | 1186794 | PTFE FLAT GASKET \varnothing 14.6x12x3 mm |
| 25 | 1186180 | BURN PREVENTING RUBBERPIECE \varnothing 10 mm |
| 29 | 1449863 | STEAM PIPE COMPLETE STAINLESS STEEL \varnothing 10 |
| 30 | 1449804 | NUT \varnothing 3/8" F4 SPANNER 19 |
| 33 | 1186201 | GASKET FLAT PTFE \varnothing 21x16.8x2 mm |
| 34 | 1250224 | SPRING \varnothing 12x12 mm |
| 35 | 1186793 | CONICAL PTFE SEAL \varnothing 12x6.5 mm |
| 37 | 1449053 | COMPLETE WATER PIPE |
| 50 | 1394553 | ANALOGICAL THERMOMETER \varnothing 25 mm |
| 51 | 1394554 | ANALOG THERMOMETER \varnothing 45 mm |
| 103 | 1024051 | SERVING COFFEE POT PRATIKA 0.60 L |
| 104 | 1024052 | SERVING COFFEE POT PRATIKA 0.70 L |
| 200 | 1024001 | MILK PITCHER PRATIKA 0.20 L |
| 201 | 1024002 | MILK PITCHER PRATIKA 0.30 L |
| 202 | 1024003 | MILK PITCHER PRATIKA 0.45 L |
| 203 | 1024004 | MILK PITCHER PRATIKA 0.60 L |
| 204 | 1024005 | MILK PITCHER PRATIKA 0.70 L |
| 205 | 1024006 | MILK PITCHER PRATIKA 1.10 L |
| 300 | 1224900 | MILK PITCHER 0.10L |
| 302 | 1224901 | MILK JUG 0.35 L |
| 303 | 1224902 | MILK JUG 0.60 L |
| 304 | 1224903 | MILK JUG 1 L |
| 305 | 1224904 | MILK JUG 1.5 L |
| 400 | 1224014 | MILK PITCHER EUROPA WITH SPOUT 0.25 L |
| 401 | 1224015 | MILK PITCHER EUROPA WITH SPOUT 0.35 L |
| 402 | 1224010 | MILK PITCHER EUROPA WITH SPOUT 0.50 L |
| 403 | 1224011 | MILK PITCHER EUROPA WITH SPOUT 0.75 L |
| 404 | 1224012 | MILK PITCHER EUROPA WITH SPOUT 1 L |
| 405 | 1224013 | MILK PITCHER EUROPA WITH SPOUT 1.5 L |

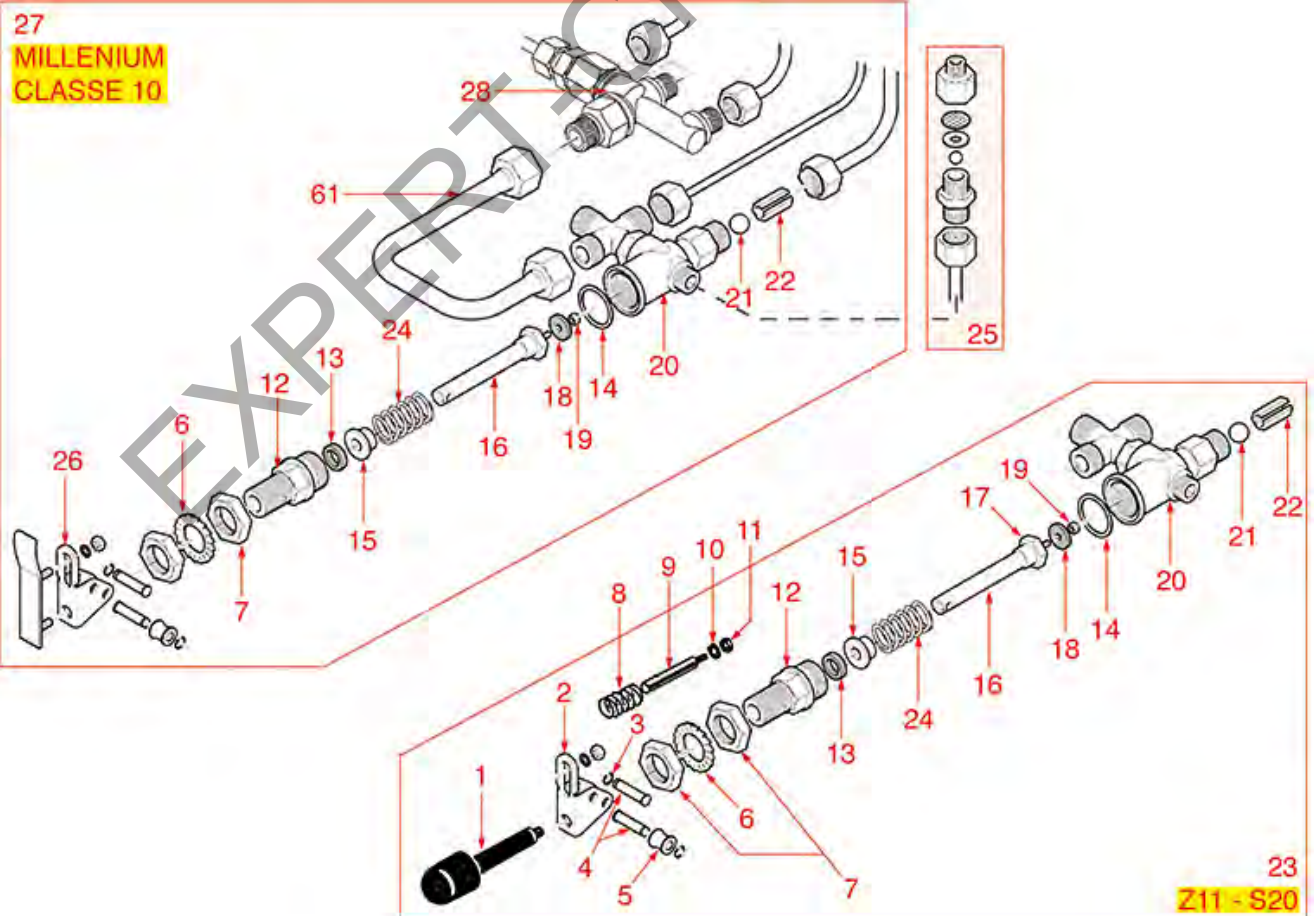


WATER INLET TAP

Z11 - S20 - MILLENIUM - CLASSE 10



27
MILLENIUM
CLASSE 10



23
Z11 - S20



RANCILIO



| Position | LF code no. | Description |
|----------|-------------|--|
| 3 | 1348817 | CIRCLIP RADIAL \varnothing 4 mm |
| 8 | 1250816 | CAP SPRING \varnothing 12x22 mm |
| 10 | 1348814 | TOOTHED WASHER EXT. M4 |
| 11 | 1348813 | HEXAGONAL NUT M4 MEDIUM |
| 12 | 1349038 | TAP PIN |
| 13 | 1348826 | LIP SEAL \varnothing 15x9x4.5 mm |
| 14 | 1186810 | FLAT COPPER GASKET \varnothing 24x21x1 mm |
| 18 | 1186311 | NBR FLAT GASKET \varnothing 13x4x4 mm |
| 20 | 1348810 | INLET TAP BODY |
| 21 | 1348812 | SPHERE MADE OF STAINLESS STEEL \varnothing 9.52 mm |
| 22 | 1348811 | SPACER INLET TAP |
| 23 | 1348807 | WATER INLET TAP |
| 24 | 1250819 | VALVE SPRING \varnothing 16x30 mm |
| 25 | 1523802 | COUPLING WITH FILTER \varnothing 1/8"M-1/4"M |
| 27 | 1348807 | WATER INLET TAP |
| 30 | 1186411 | O-RING 02031 EPDM |
| 32 | 1250040 | SPRING \varnothing 8x55 mm |
| 33 | 1186620 | COPPER FLAT GASKET \varnothing 22x17x1.5 mm |
| 34 | 1186454 | FLAT EPDM GASKET \varnothing 11x3.6x2 mm |
| 37 | 1250030 | SPRING \varnothing 11x20 mm |
| 40 | 1523009 | EXPANSION VALVE \varnothing 3/8"M-1/4"M |
| 41 | 1160012 | FILTER \varnothing 11 mm |
| 42 | 1250028 | SPRING \varnothing 10x26 mm |
| 46 | 1250819 | VALVE SPRING \varnothing 16x30 mm |
| 60 | 1449876 | DRAIN PIPE \varnothing 3/4"F 1500 mm |

EXPERT-CM.COM.UA

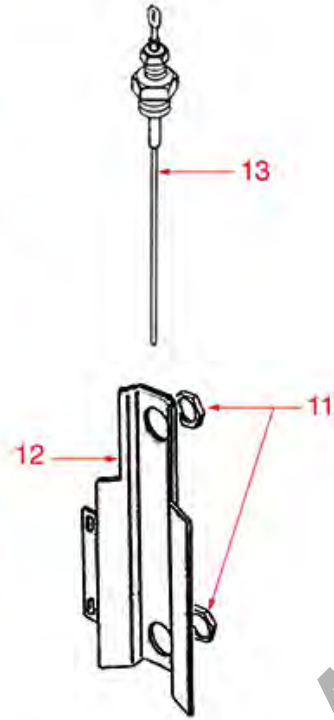
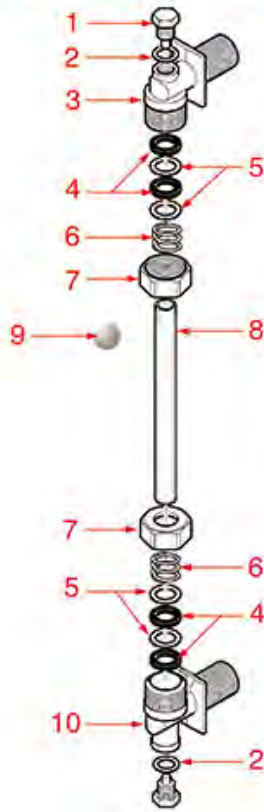


RANCILIO



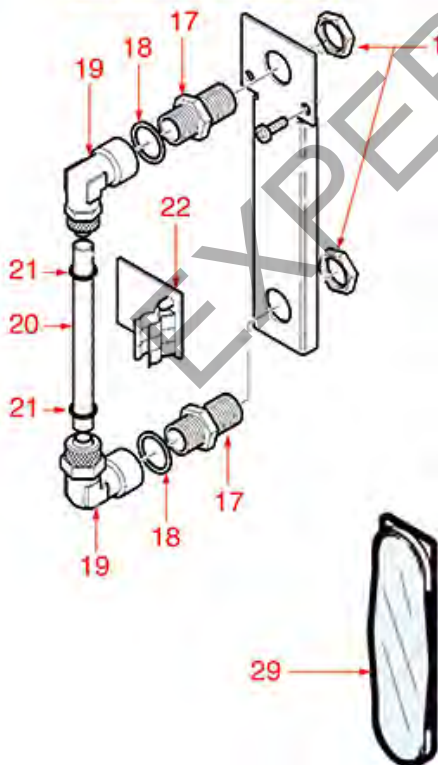
LEVELS

Z9 - Z11 - S20 - MILLENIUM

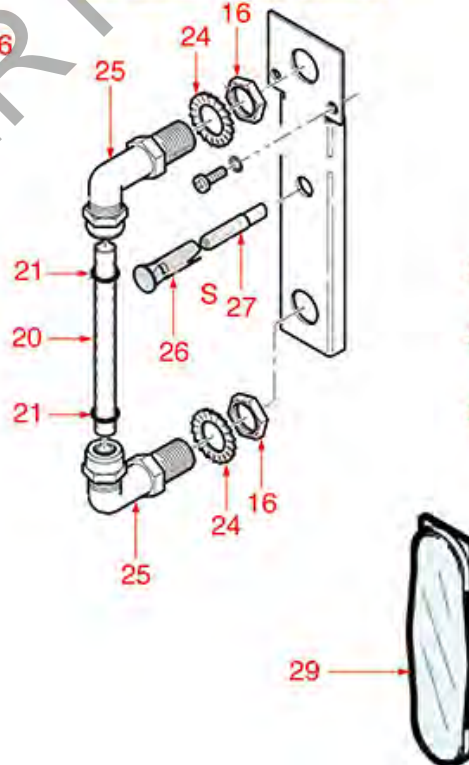


MILLENIUM

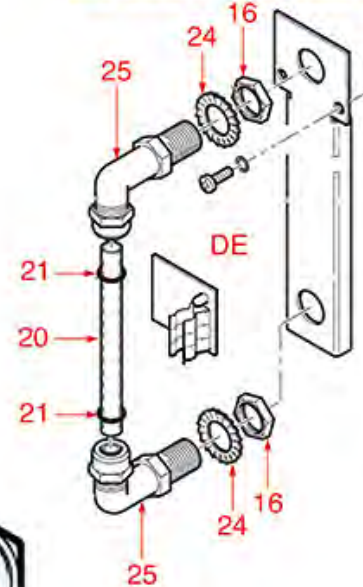
EPOCA - CLASSE 10



CLASSE 8 - CLASSE 6



CLASSE 8 - CLASSE 6



RA2502

Positions without LF code no.: upon request



RANCILIO

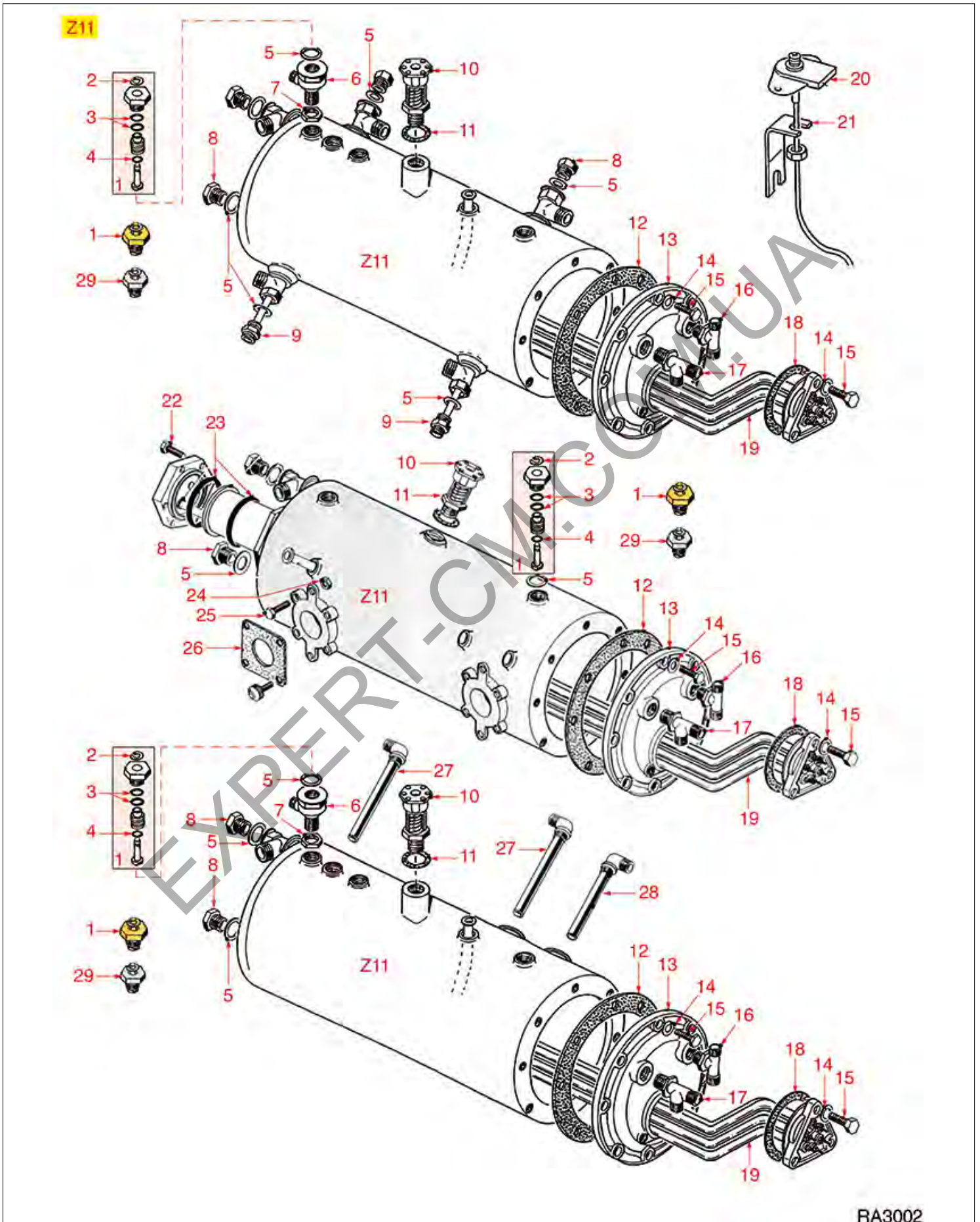


| Position | LF code no. | Description |
|----------|-------------|---|
| 2 | 1348821 | COPPER FLAT GASKET \varnothing 15x10x1 mm |
| 4 | 1186251 | FLAT EPDM GASKET \varnothing 18x12x3 mm |
| 5 | 1186807 | BRASS WASHER \varnothing 18x13x0.5 mm FLAT |
| 6 | 1250806 | LEVEL SPRING \varnothing 17.2x13 mm |
| 8 | 1520561 | LEVEL GLASS \varnothing 12x140 mm |
| 9 | 1323001 | RED LEVEL BALL \varnothing 5.8 mm |
| 13 | 1341750 | LEVEL PROBE \varnothing 1/4"M-125 mm |
| 13 | 1341802 | LEVEL PROBE \varnothing 1/8"M-115 mm |
| 14 | 1201801 | LEVEL/PRESSURE GAUGE COVER ML |
| 15 | 1201585 | LEVEL PLATE 90x50 mm |
| 16 | 1449804 | NUT \varnothing 3/8"F H4 SPANNER 19 |
| 18 | 1186314 | PTFE FLAT GASKET \varnothing 22x17x2 mm |
| 18 | 1186620 | COPPER FLAT GASKET \varnothing 22x17x1.5 mm |
| 20 | 1449877 | PTFE LEVEL GLASS \varnothing 10x107 mm |
| 21 | 1186803 | O-RING 02037 EPDM |
| 22 | 1390002 | LEVEL CONTROL CIRCUIT BOARD |
| 26 | 3221163 | ORANGE LAMP RECEPTACLE |
| 27 | 3221097 | NEUTRAL INDICATOR LAMP 220V |
| 29 | 1201007 | LEVEL GAUGE PLATE 61x18 mm |

EXPERT-CM.COM.UA



BOILER Z11





RANCILIO

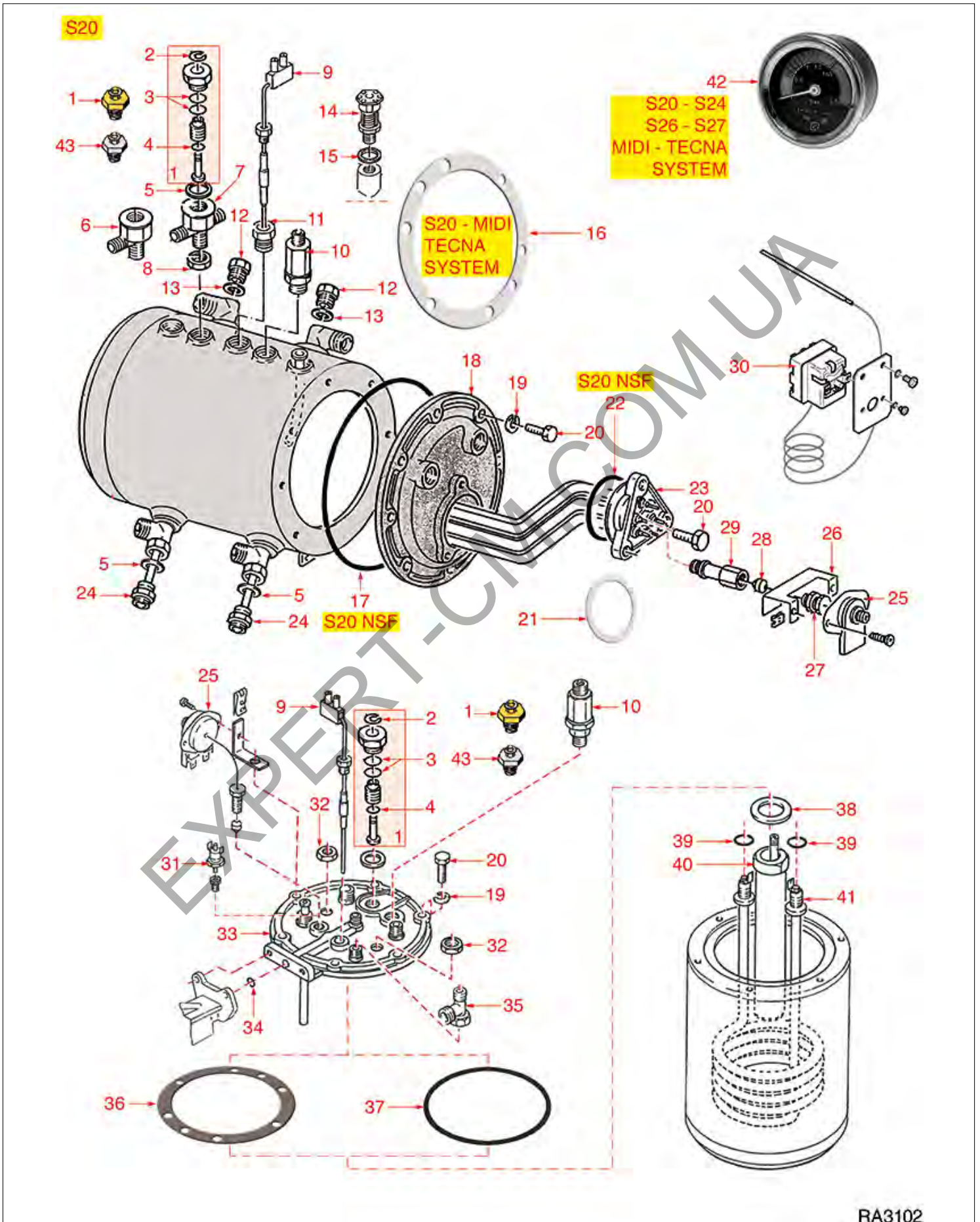


| Position | LF code no. | Description |
|----------|-------------|--|
| 1 | 1523651 | BOILER VALVE \varnothing 3/8"M |
| 3 | 1186901 | O-RING 02031 - RED SILICON |
| 4 | 1186362 | O-RING 02021 EPDM |
| 5 | 1186620 | COPPER FLAT GASKET \varnothing 22x17x1.5 mm |
| 7 | 1349351 | NUT \varnothing 3/8"F H5 KEY 24 mm |
| 9 | 1449055 | INJECTION PIPE \varnothing 1/4"M |
| 10 | 1515110 | BOILER VALVE \varnothing 1/2"M 1.8bar CE-PED |
| 11 | 1186823 | COPPER FLAT GASKET \varnothing 27x21.5x1 mm |
| 12 | 1186801 | BOILER GASKET \varnothing 175x123x2 mm |
| 15 | 1528026 | CYLINDER HEAD SCREW M8x20 |
| 18 | 1186455 | PTFE FLAT GASKET \varnothing 65x46x1,5 mm |
| 18 | 3186011 | FLAT CARBO GASKET \varnothing 63x48x2 mm |
| 19 | 1755182 | HEATING ELEMENT 3000W 220/380V |
| 19 | 1755183 | HEATING ELEMENT 6000W 230/380V |
| 19 | 1755777 | HEATING ELEMENT 2700W 110V |
| 19 | 3355454 | HEATING ELEMENT 3900W 220V 6POLE |
| 20 | 3444230 | TWO-POLE THERMOSTAT 165°C |
| 23 | 1186456 | VITON O RING 06300 |
| 25 | 1184820 | HEXAGON HEAD SCREW M6x25 |
| 29 | 1523051 | BOILER VALVE \varnothing 3/8"M |

EXPERT-CM.COM.UA



BOILER S20



Positions without LF code no.: upon request



RANCILIO

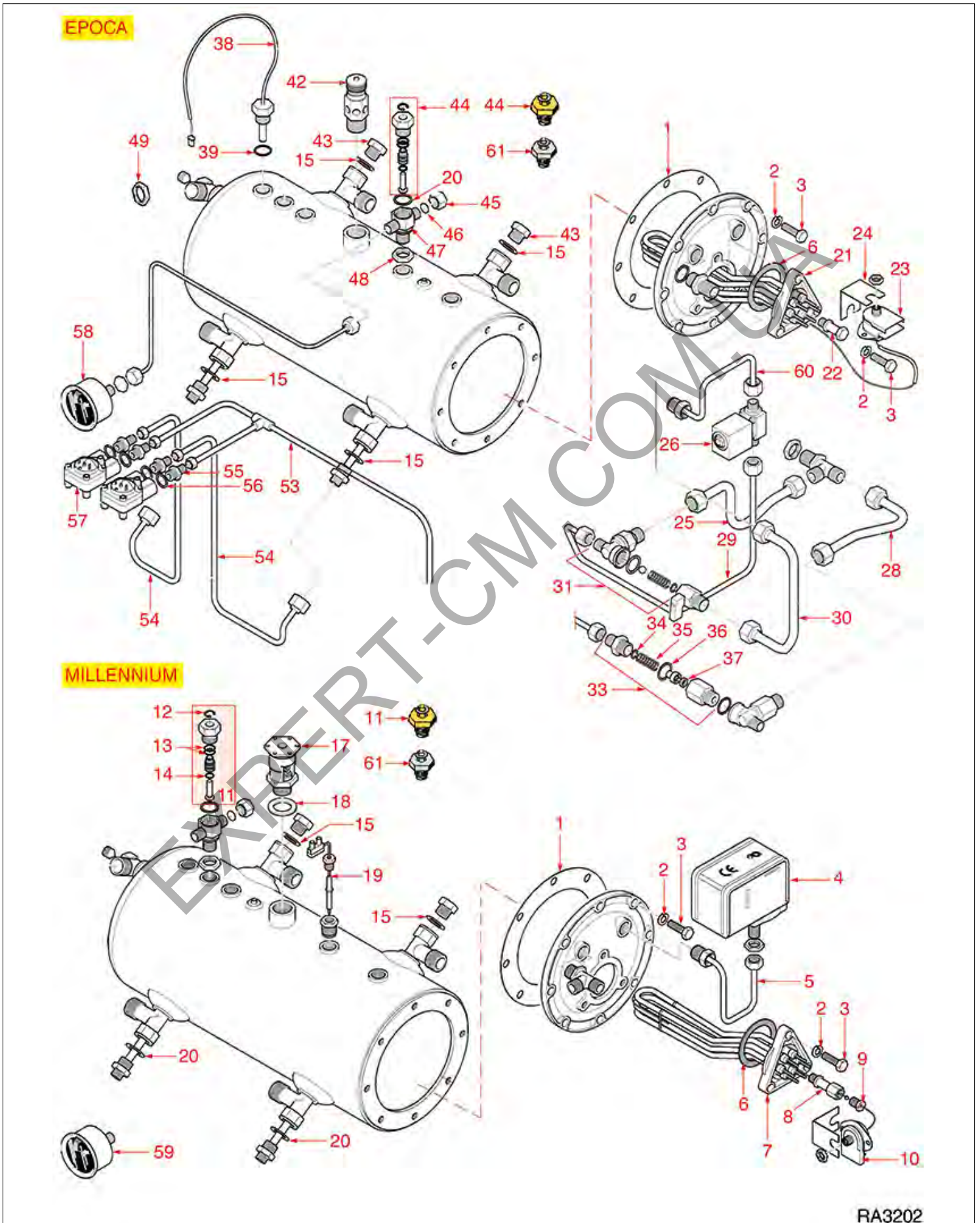


| Position | LF code no. | Description |
|----------|-------------|---|
| 1 | 1523534 | BOILER VALVE \varnothing 1/4"M |
| 1 | 1523537 | BOILER VALVE \varnothing 1/4"M |
| 1 | 1523651 | BOILER VALVE \varnothing 3/8"M |
| 3 | 1186901 | O-RING 02031 - RED SILICON |
| 4 | 1186362 | O-RING 02021 EPDM |
| 5 | 1186620 | COPPER FLAT GASKET \varnothing 22x17x1.5 mm |
| 8 | 1349351 | NUT \varnothing 3/8"F H5 KEY 24 mm |
| 9 | 1341802 | LEVEL PROBE \varnothing 1/8"M-115 mm |
| 10 | 1523700 | NON-RETURN VALVE \varnothing 1/8"M-1/8"M |
| 13 | 1186620 | COPPER FLAT GASKET \varnothing 22x17x1.5 mm |
| 14 | 1515110 | BOILER VALVE \varnothing 1/2"M 1.8bar CE-PED |
| 15 | 1186823 | COPPER FLAT GASKET \varnothing 27x21.5x1 mm |
| 16 | 1186801 | BOILER GASKET \varnothing 175x123x2 mm |
| 17 | 1186808 | BOILER GASKET \varnothing 145x135x5 mm |
| 20 | 1528026 | CYLINDER HEAD SCREW M8x20 |
| 21 | 1186455 | PTFE FLAT GASKET \varnothing 65x46x1,5 mm |
| 22 | 1186453 | O-RING M 0500-40 RED SILICONE |
| 23 | 1755182 | HEATING ELEMENT 3000W 220/380V |
| 23 | 1755777 | HEATING ELEMENT 2700W 110V |
| 23 | 3355453 | HEATING ELEMENT 2100W 220V 6-POLE |
| 23 | 3355454 | HEATING ELEMENT 3900W 220V 6POLE |
| 24 | 1449055 | INJECTION PIPE \varnothing 1/4"M |
| 25 | 3444230 | TWO-POLE THERMOSTAT 165°C |
| 30 | 1444004 | THREE-PHASE THERMOSTAT 187°C |
| 31 | 1443002 | CONTACT THERMOSTAT 165°C M4 |
| 34 | 1186612 | O-RING 02025 VITON |
| 36 | 1186449 | BOILER GASKET \varnothing 130x116x2 mm |
| 37 | 1186806 | SILICONE O-RING 04475 |
| 38 | 1186450 | FLAT GASKET \varnothing 32x26x1 mm |
| 39 | 1186458 | RED SILICONE RING 03050 |
| 41 | 1755801 | HEATING ELEMENT 1700W 230V |
| 42 | 1245900 | BOILER PRESSURE GAUGE \varnothing 52 mm 0÷2.5 bar |
| 43 | 1523051 | BOILER VALVE \varnothing 3/8"M |

EXPERT-CIA.COM.UA



BOILER EPOCA-MILLENIUM



Positions without LF code no.: upon request



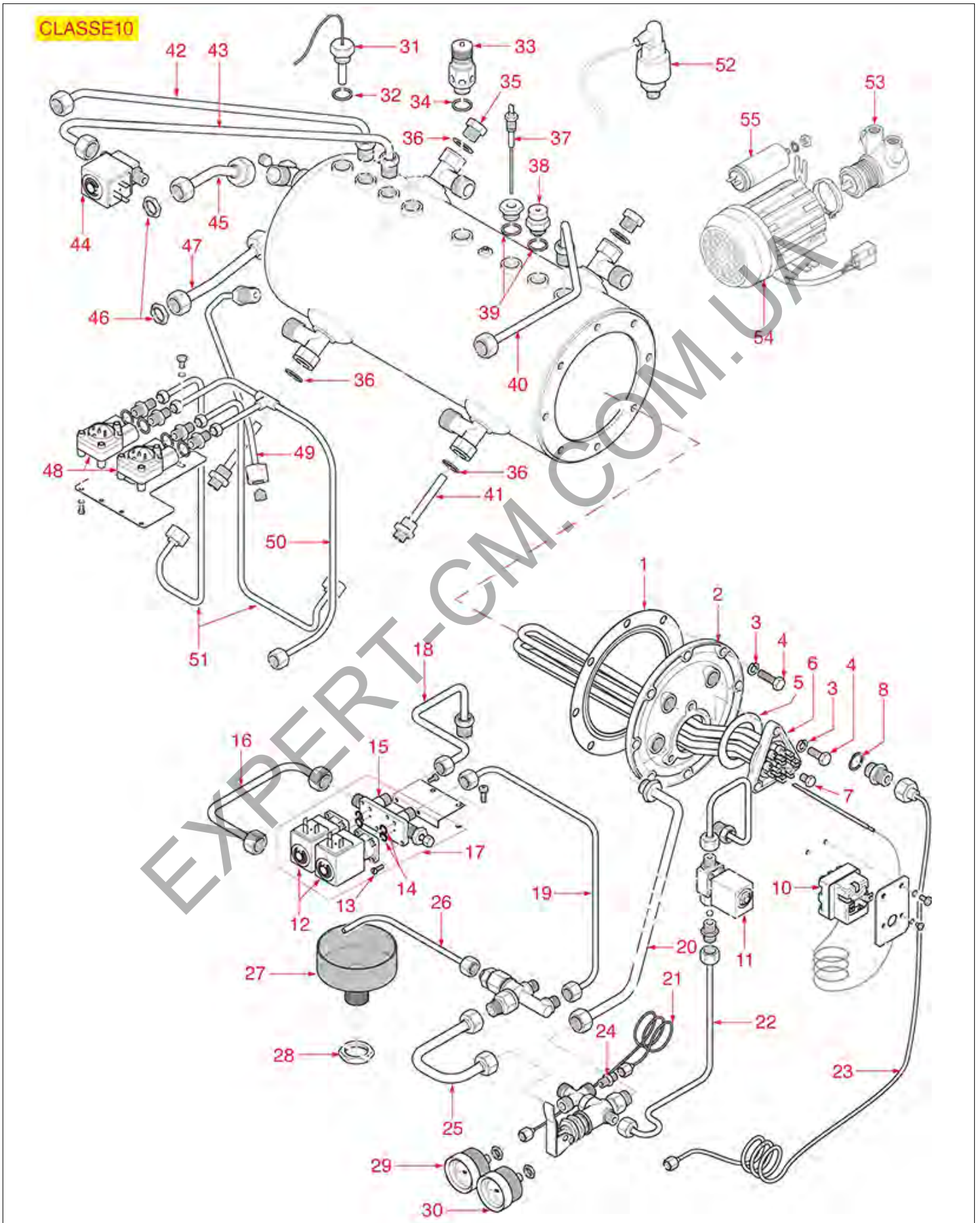
RANCILIO



| Position | LF code no. | Description |
|----------|-------------|---|
| 1 | 1186801 | BOILER GASKET ø 175x123x2 mm |
| 3 | 1528026 | CYLINDER HEAD SCREW M8x20 |
| 4 | 1320531 | PRESSURE SWITCH P302/6 3-POLES 30A |
| 6 | 1186455 | PTFE FLAT GASKET ø 65x46x1,5 mm |
| 7 | 1755182 | HEATING ELEMENT 3000W 220/380V |
| 7 | 1755183 | HEATING ELEMENT 6000W 230/380V |
| 7 | 1755777 | HEATING ELEMENT 2700W 110V |
| 7 | 3355454 | HEATING ELEMENT 3900W 220V 6POLE |
| 10 | 3444230 | TWO-POLE THERMOSTAT 165°C |
| 11 | 1523651 | BOILER VALVE ø 3/8"M |
| 13 | 1186901 | O-RING 02031 - RED SILICON |
| 14 | 1186362 | O-RING 02021 EPDM |
| 15 | 1186620 | COPPER FLAT GASKET ø 22x17x1.5 mm |
| 17 | 1515110 | BOILER VALVE ø 1/2"M 1.8bar CE-PED |
| 18 | 1186823 | COPPER FLAT GASKET ø 27x21.5x1 mm |
| 19 | 1341802 | LEVEL PROBE ø 1/8"M-115 mm |
| 20 | 1186620 | COPPER FLAT GASKET ø 22x17x1.5 mm |
| 21 | 1755048 | HEATING ELEMENT 4300W 230/400V |
| 22 | 1755186 | COVER FOR HEATING ELEMENT M 10x1 |
| 23 | 1444005 | BIPOLAR THERMOSTAT 165° |
| 34 | 1186411 | O-RING 02031 EPDM |
| 35 | 1250030 | SPRING ø 11x20 mm |
| 36 | 1186620 | COPPER FLAT GASKET ø 22x17x1.5 mm |
| 37 | 1186454 | FLAT EPDM GASKET ø 11x3.6x2 mm |
| 38 | 1341801 | TEMPERATURE PROBE ø 3/8"M |
| 39 | 1186346 | O-RING 02043 EPDM |
| 42 | 1515110 | BOILER VALVE ø 1/2"M 1.8bar CE-PED |
| 42 | 1523029 | BOILER VALVE ø 3/8"M - 1.6 bar CE/PED |
| 44 | 1523651 | BOILER VALVE ø 3/8"M |
| 48 | 1349351 | NUT ø 3/8"F H5 KEY 24 mm |
| 49 | 1449804 | NUT ø 3/8"F H4 SPANNER 19 |
| 55 | 1349111 | FITTING ø 1/8"M 1/4"M |
| 56 | 1186619 | COPPER FLAT GASKET ø 18x14x1.5 mm |
| 57 | 1455026 | VOLUMETRIC FLOW METER GICAR |
| 58 | 1245900 | BOILER PRESSURE GAUGE ø 52 mm 0÷2.5 bar |
| 59 | 1245013 | BOILER-PUMP PRESSURE GAUGE ø 63 mm |
| 61 | 1523051 | BOILER VALVE ø 3/8"M |



BOILER CLASSE 10



Positions without LF code no.: upon request



RANCILIO

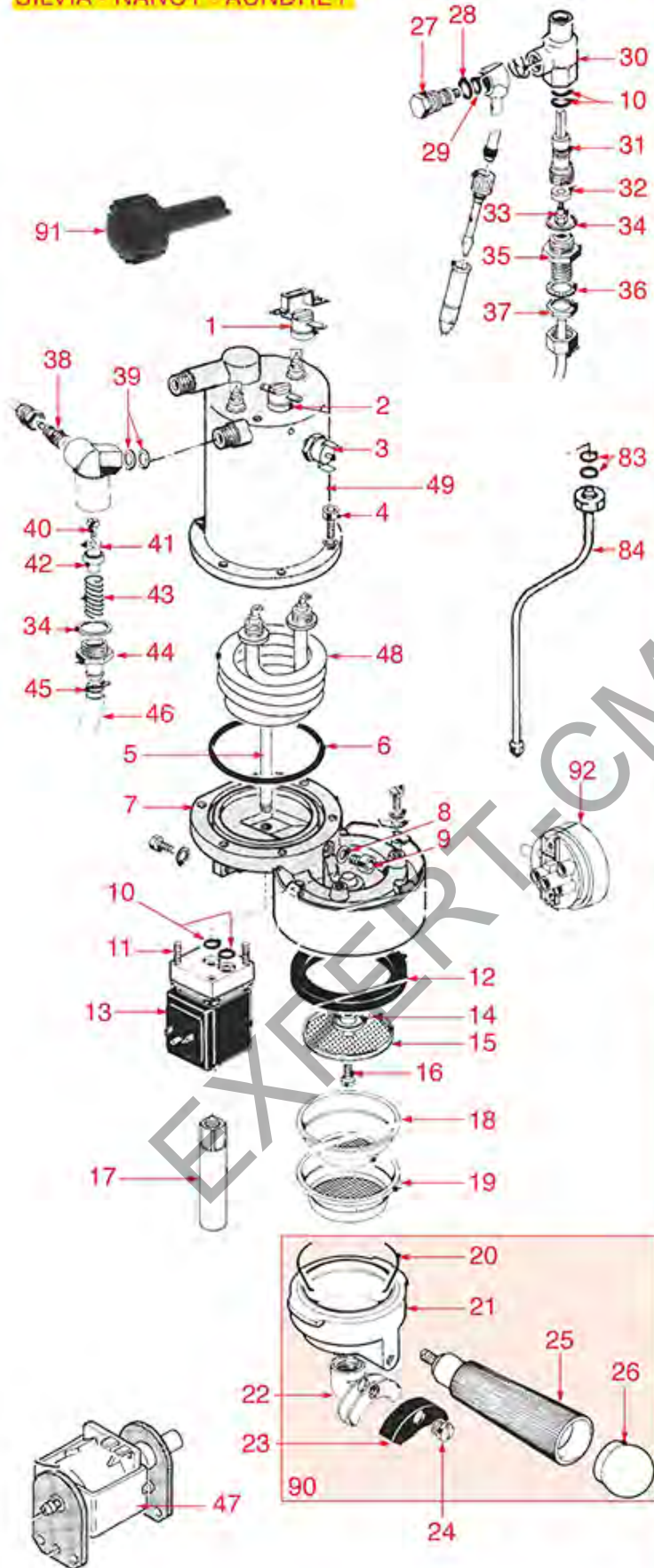


| Position | LF code no. | Description |
|----------|-------------|---|
| 1 | 1186801 | BOILER GASKET \varnothing 175x123x2 mm |
| 4 | 1528026 | CYLINDER HEAD SCREW M8x20 |
| 5 | 1186455 | PTFE FLAT GASKET \varnothing 65x46x1,5 mm |
| 6 | 1755048 | HEATING ELEMENT 4300W 230/400V |
| 6 | 1755049 | HEATING ELEMENT 6000W 230V |
| 6 | 1755182 | HEATING ELEMENT 3000W 220/380V |
| 7 | 1755186 | COVER FOR HEATING ELEMENT M 10x1 |
| 8 | 1186201 | GASKET FLAT PTFE \varnothing 21x16.8x2 mm |
| 10 | 1444004 | THREE-PHASE THERMOSTAT 187°C |
| 12 | 1120279 | SOLENOID VALVE ODE 2 WAYS 110/120V 15VA |
| 12 | 1120331 | 2-WAY SOLENOID VALVE LUCIFER 240V 50Hz |
| 13 | 1184006 | LOW CYLINDER HEAD SCREW M4x12 |
| 14 | 1186611 | O-RING 02025 RED SILICONE |
| 14 | 1186612 | O-RING 02025 VITON |
| 27 | 1527812 | DRAIN TUB NSF |
| 28 | 3523086 | NUT \varnothing 3/4" |
| 29 | 1245012 | PUMP PRESSURE GAUGE \varnothing 41 mm 0÷16 bar |
| 30 | 1245014 | BOILER PRESSURE GAUGE \varnothing 40 mm 0÷2.5 bar |
| 30 | 1245023 | BOILER PRESSURE GAUGE \varnothing 40 mm 0÷2.5 bar |
| 31 | 1341801 | TEMPERATURE PROBE \varnothing 3/8"M |
| 32 | 1186346 | O-RING 02043 EPDM |
| 33 | 1523029 | BOILER VALVE \varnothing 3/8"M - 1.6 bar CE/PED |
| 33 | 1523059 | BOILER VALVE \varnothing 3/8"M - 1.8 bar CE/PED |
| 34 | 1186314 | PTFE FLAT GASKET \varnothing 22x17x2 mm |
| 34 | 1186394 | ASBESTOS FREE FLAT GASKET \varnothing 22x17x2 mm |
| 36 | 1186620 | COPPER FLAT GASKET \varnothing 22x17x1.5 mm |
| 37 | 1341802 | LEVEL PROBE \varnothing 1/8"M-115 mm |
| 39 | 1186620 | COPPER FLAT GASKET \varnothing 22x17x1.5 mm |
| 41 | 1449055 | INJECTION PIPE \varnothing 1/4"M |
| 46 | 1449804 | NUT \varnothing 3/8"F H4 SPANNER 19 |
| 48 | 1455026 | VOLUMETRIC FLOW METER GICAR |
| 52 | 5031294 | PRESSURE SWITCH 2T85 0-4 BAR 3/8" |
| 53 | 1330030 | ROTARY VANE PUMP ROTOFLOW \varnothing 3/8" GAS |
| 53 | 1330900 | ROTARY VANE PUMP NUERT \varnothing 3/8" GAS |
| 55 | 3068014 | CAPACITOR DUCATI ENERGIA 8 μ F |

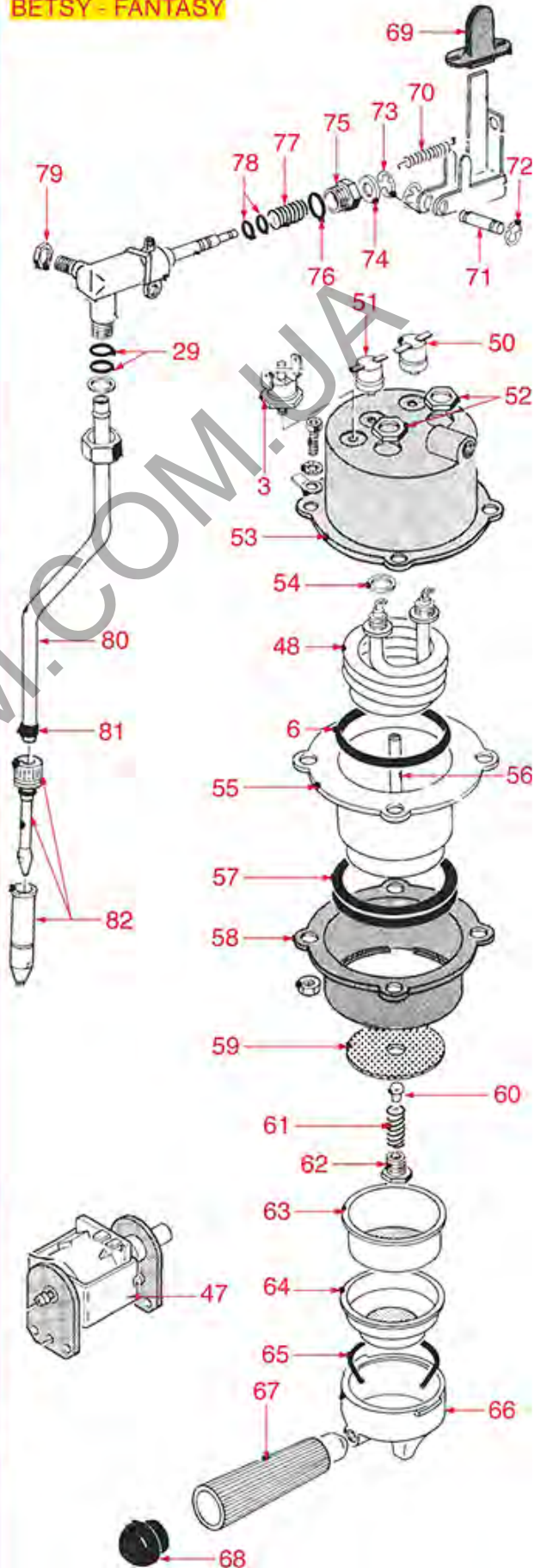


HOUSEHOLD LINE

SILVIA - NANCY - AUNDREY



BETSY - FANTASY





RANCILIO



| Position | LF code no. | Description |
|----------|-------------|--|
| 1 | 1443206 | CONTACT THERMOSTAT 100°C |
| 2 | 1444007 | CONTACT THERMOSTAT 140°C 10A 250V |
| 3 | 1443002 | CONTACT THERMOSTAT 165°C M4 |
| 4 | 1528023 | COUNTERSUNK FLAT HEAD SCREWS M5x16 |
| 6 | 1186457 | RED SILICONE O RING 0177 |
| 8 | 1186811 | COPPER FLAT GASKET \varnothing 10x6x1 mm |
| 9 | 1184804 | CYLINDER HEAD SCREW M6x8 |
| 10 | 1186611 | O-RING 02025 RED SILICONE |
| 10 | 1186612 | O-RING 02025 VITON |
| 11 | 1184006 | LOW CYLINDER HEAD SCREW M4x12 |
| 12 | 1186452 | FILTER HOLDER GASKET \varnothing 74x58x8.2 mm |
| 12 | 5012498 | GASKET FILTER HOLDER \varnothing 74x58x8.2 mm |
| 13 | 1120102 | 3-WAY SOLENOID VALVE LUCIFER 115V 60Hz |
| 13 | 1120330 | 3-WAY SOLENOID VALVE LUCIFER 240V 50Hz |
| 14 | 1349803 | BREW GROUP SPRAY NOZZLE \varnothing 21 mm |
| 15 | 1081036 | SHOWER \varnothing 57.5 mm |
| 15 | 1081536 | SHOWER SCREEN \varnothing 57.5 mm |
| 16 | 1528516 | CYLINDER HEAD SCREW M5x12 |
| 17 | 1349037 | DRAIN PIPE |
| 18 | 1160251 | 1 CUP FILTER 6 g |
| 19 | 1160252 | FILTER 2-CUP 12 g |
| 28 | 1186803 | O-RING 02037 EPDM |
| 29 | 1186612 | O-RING 02025 VITON |
| 32 | 1186822 | VITON FLAT GASKET \varnothing 13x4x4 mm |
| 34 | 1186620 | COPPER FLAT GASKET \varnothing 22x17x1.5 mm |
| 47 | 1122737 | VIBRATORY PUMP EP5 48W 230V 50Hz |
| 47 | 2102265 | VIBRATION PUMP EP5 41W 120V 60Hz |
| 48 | 1755046 | HEATING ELEMENT 1100W 230V |
| 49 | 5031156 | BOILER WITH HEATING ELEMENT 230V 1100W |
| 54 | 3060608 | O-RING O3050 EPDM |
| 76 | 1186346 | O-RING 02043 EPDM |
| 78 | 1186421 | O-RING 02018 EPDM |
| 83 | 1186612 | O-RING 02025 VITON |
| 84 | 1449141 | CHROME-PLATED COMPLETE STEAM PIPE \varnothing 6 mm |
| 90 | 1165030 | 2 CUPS FILTER HOLDER ASSEMBLY RANCILIO |
| 91 | 5030150 | STEAM TAP KNOB |
| 92 | 3320500 | PRESSURE SWITCH 1 LEVEL |

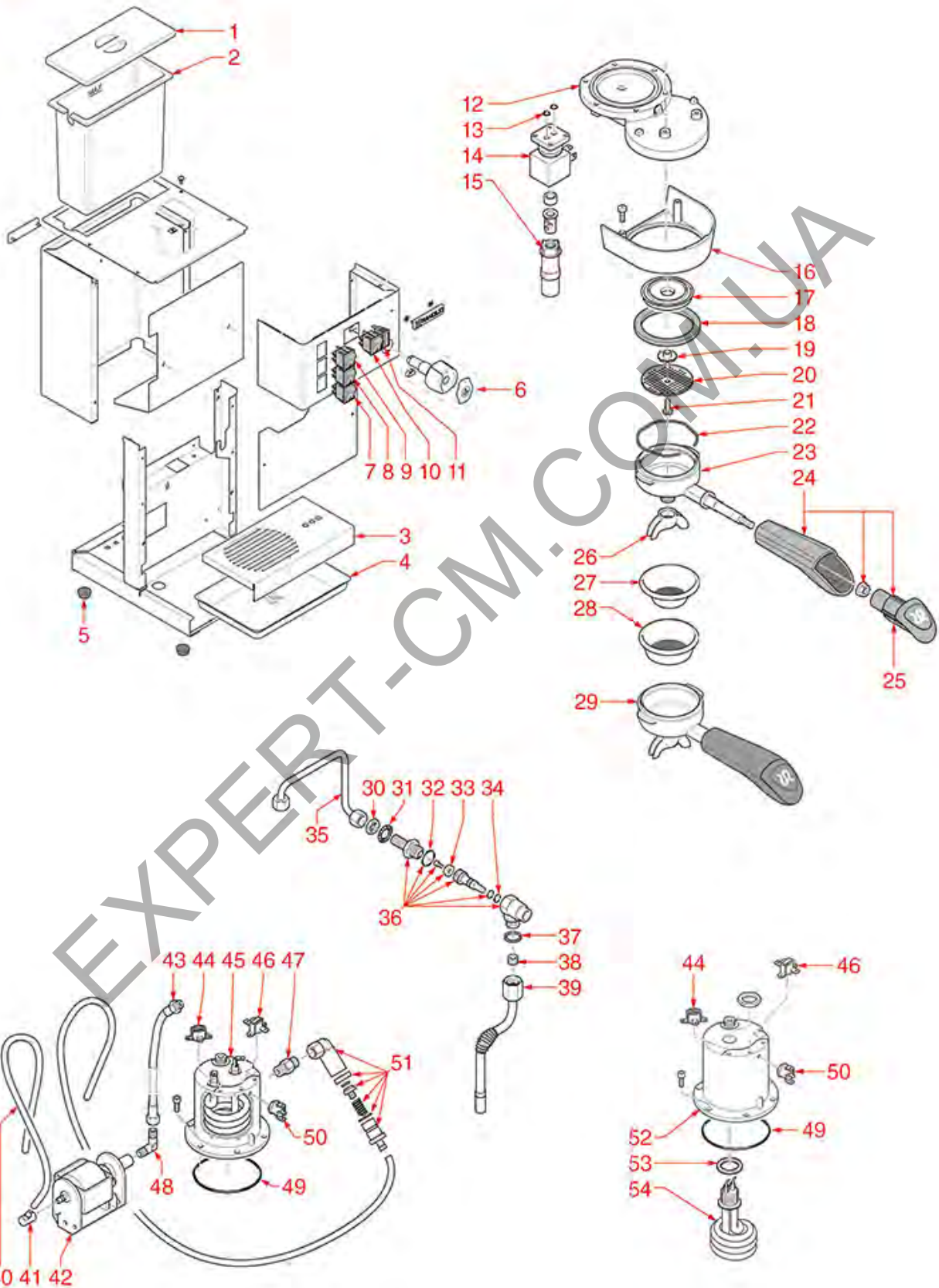


RANCILIO



HOUSEHOLD LINE NEW

SILVIA



RA4102

Positions without LF code no.: upon request



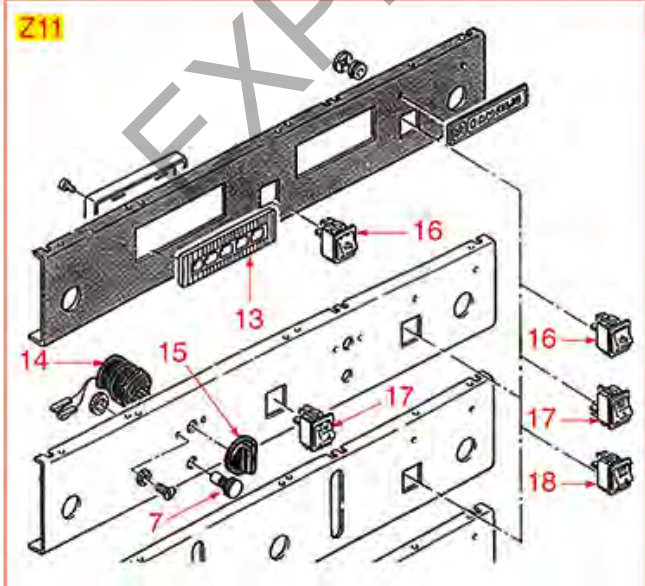
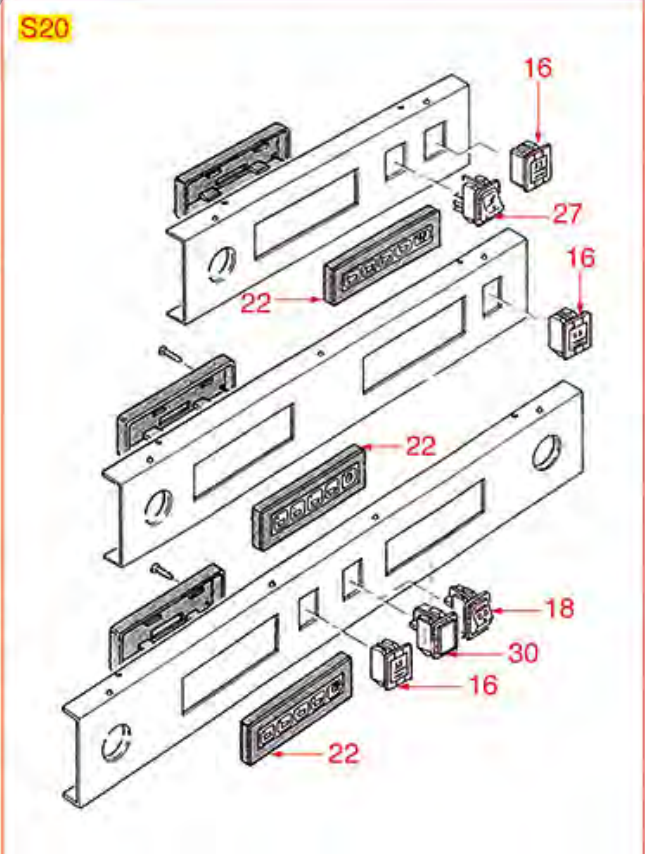
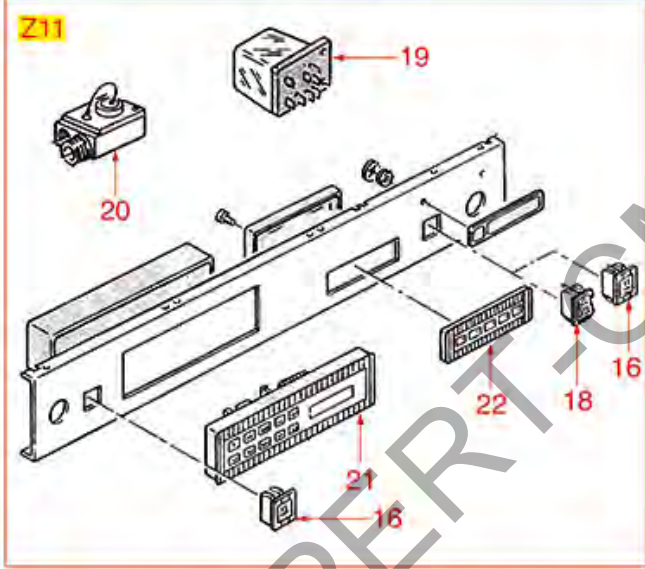
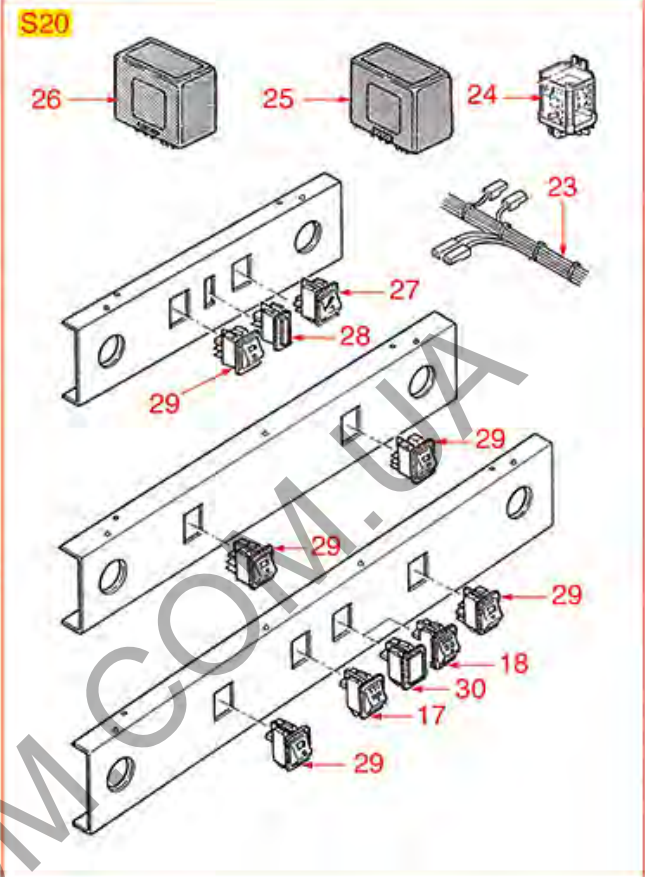
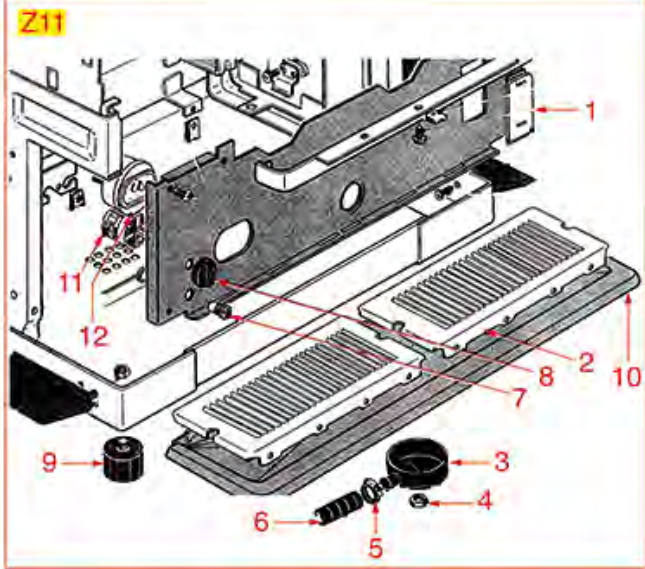
RANCILIO



| Position | LF code no. | Description |
|----------|-------------|--|
| 2 | 5023308 | WATER CONTAINER |
| 6 | 5055880 | KNOB STEAM TAP |
| 8 | 1319806 | BLACK BIPOLAR SWITCH 16A 250V |
| 9 | 1319809 | BLACK BIPOLAR SWITCH 16A 250V |
| 10 | 1319862 | BLACK BIPOLAR SWITCH 16A 250V |
| 13 | 1186611 | O-RING 02025 RED SILICONE |
| 13 | 1186612 | O-RING 02025 VITON |
| 15 | 1349037 | DRAIN PIPE |
| 16 | 5057855 | RING GROUP COVER |
| 17 | 1086014 | SHOWER HOLDER DIFFUSER |
| 18 | 1186452 | FILTER HOLDER GASKET \varnothing 74x58x8.2 mm |
| 18 | 5012498 | GASKET FILTER HOLDER \varnothing 74x58x8.2 mm |
| 19 | 1349803 | BREW GROUP SPRAY NOZZLE \varnothing 21 mm |
| 20 | 1081036 | SHOWER \varnothing 57.5 mm |
| 20 | 1081536 | SHOWER SCREEN \varnothing 57.5 mm |
| 21 | 1528012 | CYLINDER HEAD SCREW M5x14 |
| 22 | 1250101 | FILTER BLOCKING SPRING \varnothing 1,00 mm INOX |
| 23 | 1165046 | FILTER HOLDER RANCILIO |
| 24 | 1141012 | KNOB FILTER HOLDER |
| 26 | 1022524 | DOUBLE SPOUT \varnothing 3/8" |
| 27 | 1160251 | 1 CUP FILTER 6 g |
| 28 | 1160252 | FILTER 2-CUP 12 g |
| 29 | 1165030 | 2 CUPS FILTER HOLDER ASSEMBLY RANCILIO |
| 32 | 1186620 | COPPER FLAT GASKET \varnothing 22x17x1.5 mm |
| 33 | 1186822 | VITON FLAT GASKET \varnothing 13x4x4 mm |
| 34 | 1186612 | O-RING 02025 VITON |
| 37 | 1186201 | GASKET FLAT PTFE \varnothing 21x16.8x2 mm |
| 38 | 1186793 | CONICAL PTFE SEAL \varnothing 12x6.5 mm |
| 38 | 1250224 | SPRING \varnothing 12x12 mm |
| 39 | 1549057 | HOSE STEAM COMPLETE CHROME-PLATED \varnothing 10mm |
| 41 | 1349651 | PIPETTE FITTING 90° EX EP |
| 42 | 1122737 | VIBRATORY PUMP EP5 48W 230V 50Hz |
| 42 | 2102265 | VIBRATION PUMP EP5 41W 120V 60Hz |
| 45 | 5031156 | BOILER WITH HEATING ELEMENT 230V 1100W |
| 45 | 5055573 | BOILER WITH HEATING ELEMENT 110V 1100W |
| 49 | 1186457 | RED SILICONE O RING 0177 |
| 50 | 1443002 | CONTACT THERMOSTAT 165°C M4 |
| 52 | 5031156 | BOILER WITH HEATING ELEMENT 230V 1100W |
| 52 | 5055573 | BOILER WITH HEATING ELEMENT 110V 1100W |



ELECTRICAL PARTS Z11-S20





RANCILIO

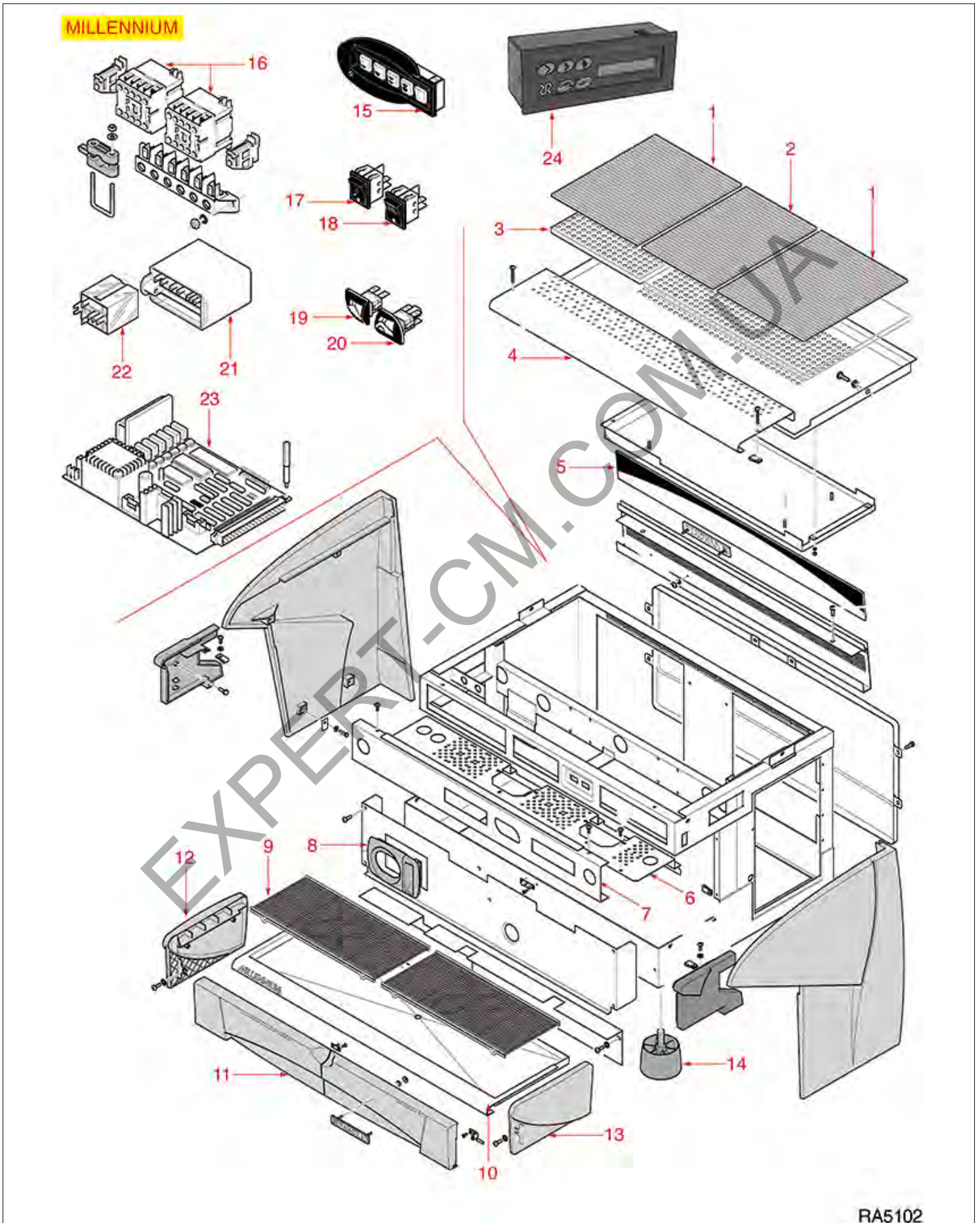


| Position | LF code no. | Description |
|----------|-------------|---|
| 1 | 1201585 | LEVEL PLATE 90x50 mm |
| 3 | 1527004 | DRAIN TANK |
| 5 | 3449462 | HOSE CLAMP 12-20 |
| 6 | 1449671 | DRAIN PIPE ELISPIR \varnothing 14x20 mm - 5 m |
| 7 | 1221801 | GREEN INDICATOR LAMP 230V |
| 8 | 1241821 | SELECTOR SWITCH KNOB \varnothing 42 mm |
| 9 | 1313803 | FOOT \varnothing 63 mm M10 H=45 |
| 11 | 1319807 | SELECTOR SWITCH 0-2 POSITIONS 32A 600V |
| 12 | 1245651 | BOILER-PUMP PRESSURE GAUGE \varnothing 63 mm |
| 14 | 1319047 | SELECTOR SWITCH 0-1 POSITIONS 20A 500V |
| 15 | 1241821 | SELECTOR SWITCH KNOB \varnothing 42 mm |
| 17 | 1319806 | BLACK BIPOLAR SWITCH 16A 250V |
| 18 | 1319805 | BLUE BIPOLAR SWITCH 16A 250V |
| 19 | 3351601 | RELAY B1-3 16A 230V 50/60Hz |
| 22 | 1319803 | PUSH-BUTTON PANEL 5 BUTTONS |
| 25 | 1341301 | LEVEL ADJUSTER NRL30/1E-2C/F 230V |
| 25 | 5056960 | LEVEL REGULATOR NRL30/1E-2C/F 115V |
| 26 | 1341631 | DOSER CONTROL BOX 30/1GR/F 230V 50Hz |
| 27 | 1319862 | BLACK BIPOLAR SWITCH 16A 250V |
| 29 | 1319809 | BLACK BIPOLAR SWITCH 16A 250V |

EXPERT-CM.COM.UA



ELECTRICAL PARTS MILLENNIUM



RA5102

Positions without LF code no.: upon request



RANCILIO

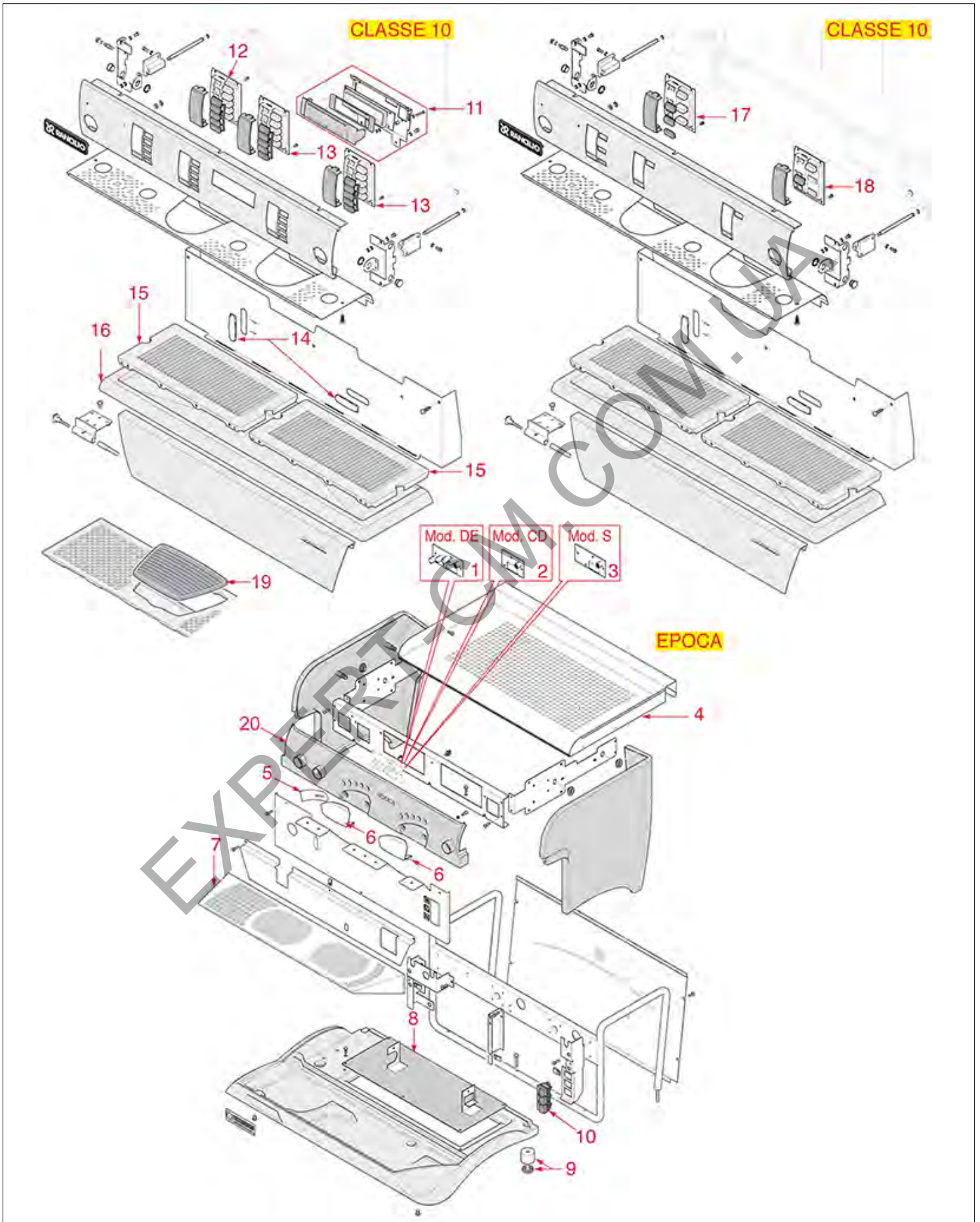


| Position | LF code no. | Description |
|----------|-------------|-----------------------------------|
| 2 | 1185811 | CUP WARMING GRID |
| 8 | 1201801 | LEVEL/PRESSURE GAUGE COVER ML |
| 14 | 1313803 | FOOT \varnothing 63 mm M10 H=45 |
| 17 | 1319862 | BLACK BIPOLAR SWITCH 16A 250V |
| 18 | 1319806 | BLACK BIPOLAR SWITCH 16A 250V |
| 19 | 1319859 | BIPOLAR SWITCH 16A 250V |
| 20 | 1319860 | BIPOLAR SWITCH 16A 250V |

EXPERT-CM.COM.UA



ELECTRICAL PARTS EPOCA-CLASSE10



Positions without LF code no.: upon request



RANCILIO



| Position | LF code no. | Description |
|----------|-------------|-------------------------------|
| 1 | 5044894 | PUSH-BUTTON PANEL 5 BUTTONS |
| 3 | 1319115 | PUSH-BUTTON PANEL 1 BUTTON |
| 6 | 5039870 | RING GROUP COVER |
| 9 | 1313802 | FOOT ø 40 mm M8 H=31 |
| 10 | 1319865 | BLACK BIPOLAR SWITCH 16A 250V |
| 12 | 1319114 | PUSH-BUTTON PANEL 5 BUTTONS |
| 13 | 1319113 | PUSH-BUTTON PANEL 5 BUTTONS |
| 14 | 1201007 | LEVEL GAUGE PLATE 61x18 mm |
| 17 | 1319105 | PUSH-BUTTON PANEL 3 BUTTONS |
| 19 | 5049270 | GRID CUP SUPPORT PLASTIC |
| 20 | 5024358 | CONTROL PANEL GRAY |
| 20 | 5039042 | CONTROL PANEL RED |

EXPERT-CM.COM.UA