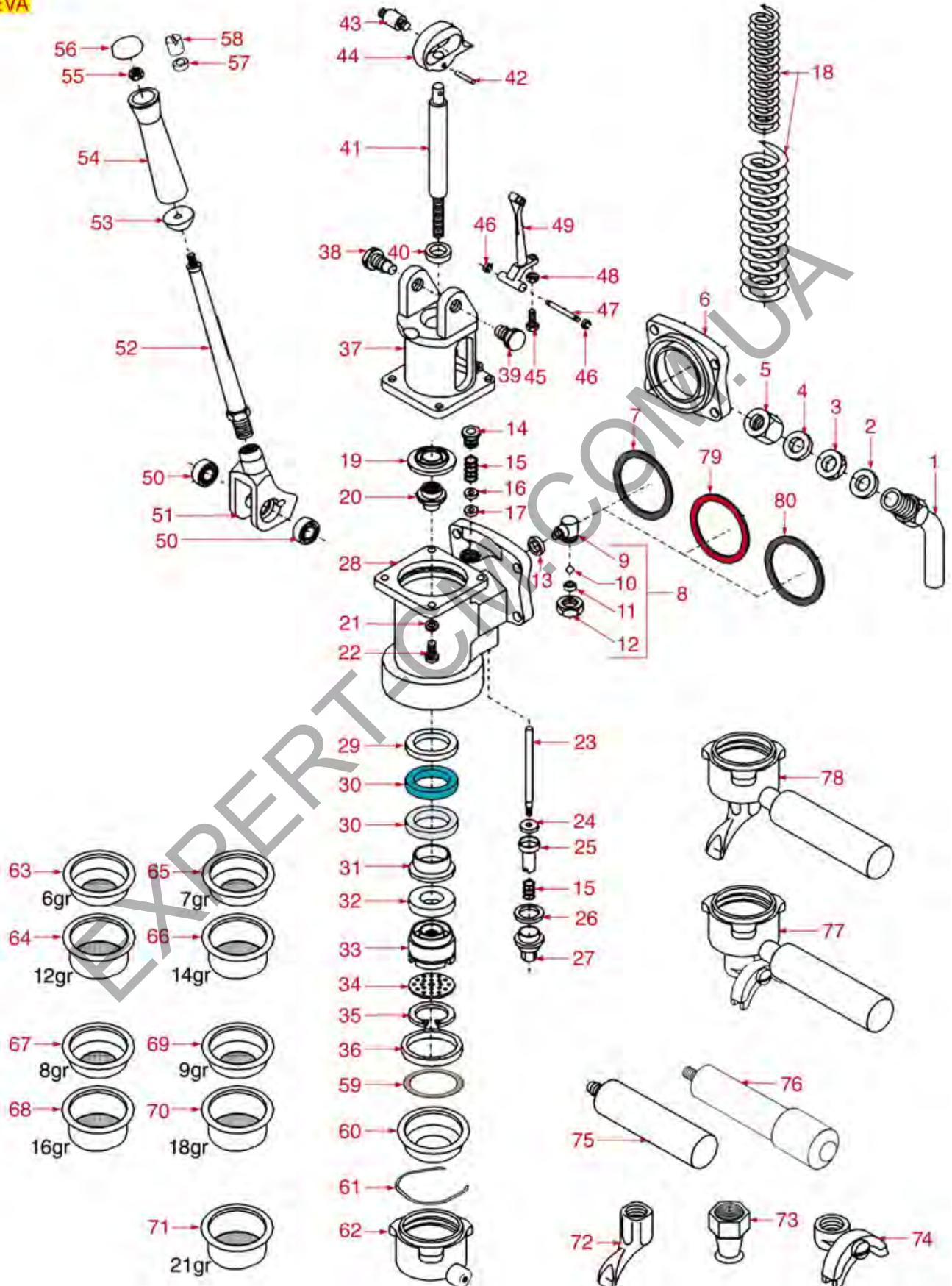




LEVER BREW GROUP

LEVA



SM0102



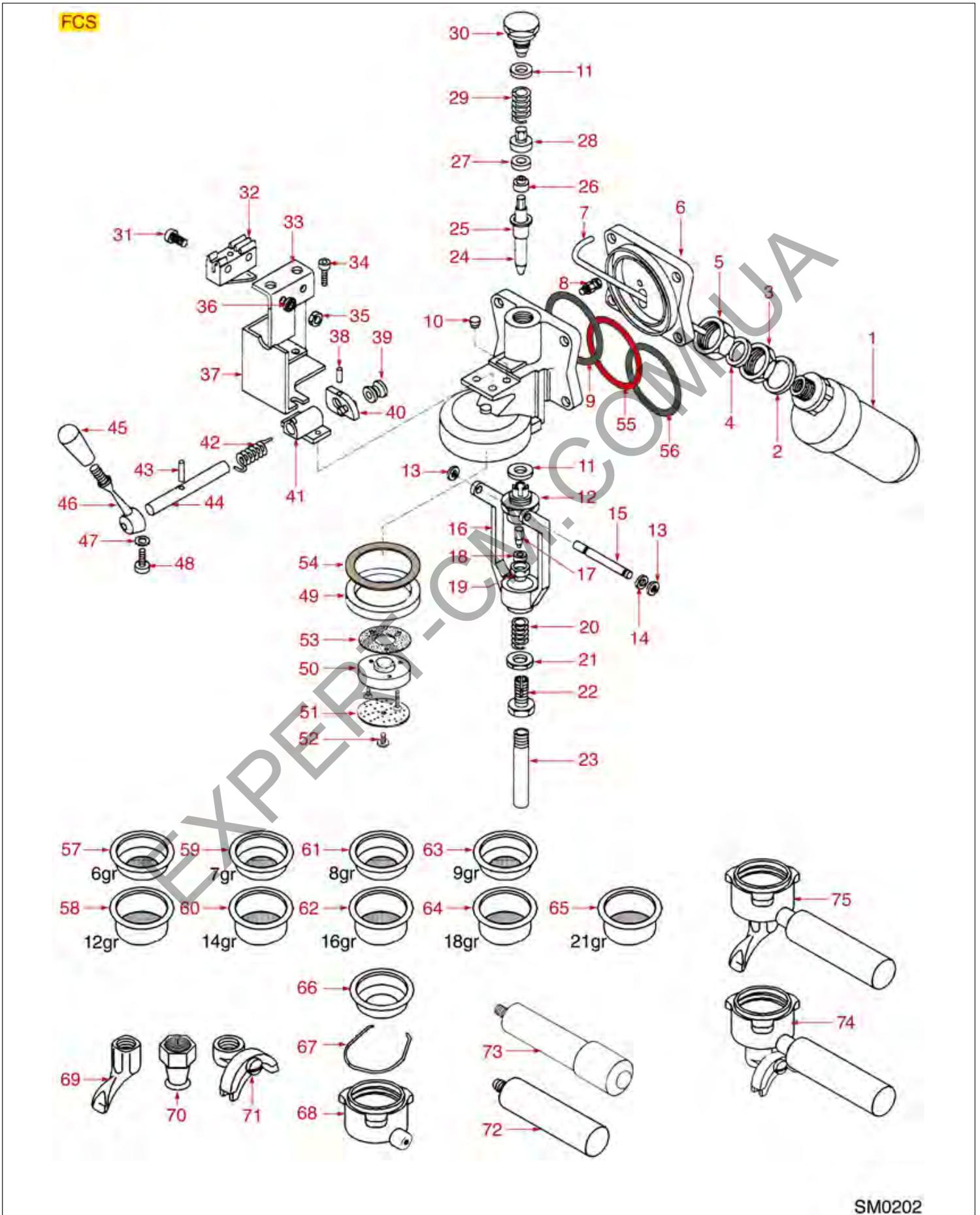
SAN MARCO



Position	LF code no.	Description
2	1186141	ASBESTOS FREE FLAT GASKET \varnothing 34x26.5x2 mm
2	1186361	PTFE FLAT GASKET \varnothing 34x27x2 mm
4	1186140	GASKET ROUND COPPER \varnothing 24x18.4x2.5 mm
7	1186284	GROUP GASKET \varnothing 87x75x5.8 mm
8	1523424	NON-RETURN VALVE \varnothing 1/8" M
10	1323416	STAINLESS STEEL BALL \varnothing 10 mm
13	1186112	ASBESTOS FREE FLAT GASKET \varnothing 15x10x1 mm
14	1523420	SPRING GUIDE BUSHING
15	1250542	SPRING \varnothing 15x20 mm
16	1186992	BRASS WASHER FLAT \varnothing 15x7x0.8 mm
17	1186103	CONICAL PTFE SEAL \varnothing 15.5x7x4 mm
18	1250113	LEVER GROUP SPRING PAIR
23	1324014	STAINLESS STEEL PIN
25	1186120	GASKET HOLDER BUSHING
26	1186136	ASBESTOS FREE FLAT GASKET \varnothing 29x22x2 mm
29	1186132	COMPRESSION BUSHING
30	1186125	ASBESTOS FREE FLAT GASKET \varnothing 50x38x4 mm
30	1186994	PTFE FLAT GASKET \varnothing 50x40x5.5 mm
32	1186123	LIP SEAL \varnothing 50x31x10 mm
34	1081053	SHOWER \varnothing 50.5 mm
35	1250116	CIRCLIP J-48
36	1186786	GASKET FILTER HOLDER \varnothing 64x52.5x5.5 mm
36	1186851	FILTER HOLDER GASKET \varnothing 64x52.5x5.5 mm
40	1186135	FLAT FELT GASKET
42	1348049	ELASTIC CLASP \varnothing 4x20 mm
42	3526129	CLASP \varnothing 3x14 mm
43	1324017	PIN FOR BEARING
44	1192011	CHROMIUM-PLATED FORK FOR LEVER GROUP
46	1348817	CIRCLIP RADIAL \varnothing 4 mm
49	1225013	INFUSION CONTROL LEVER
50	1199062	BEARING 6001 ZZ NSK
51	1192012	CHROMIUM-PLATED FORK FOR LEVER GROUP
54	1241103	LEVER GROUP HANDLE
59	1190007	RUBBER PIECE \varnothing 64x53x1 mm EPDM
59	1190101	PAPER SEAL \varnothing 64x53x0.7 mm
60	1160287	BLIND FILTER
61	1250101	FILTER BLOCKING SPRING \varnothing 1,00 mm INOX
62	1165051	FILTER HOLDER SAN MARCO
63	1160033	1 CUP FILTER 6 gr
64	1160133	2 CUPS FILTER 12 gr
65	1160273	FILTER 1-CUP 7 g
66	1160270	FILTER 2 CUPS 14 gr NEW TYPE
67	1160271	1-CUP FILTER 8 gr
68	1160274	2 CUP FILTER 16 g
69	5069283	FILTER 1 CUP 9 g
70	1160045	2 CUPS FILTER 18 gr
71	1160046	2 CUPS FILTER 21 gr
72	1022501	SINGLE SPOUT \varnothing 3/8"
73	1022503	STRAIGHT SINGLE SPOUT \varnothing 3/8"
74	1022502	DOUBLE SPOUT \varnothing 3/8"
75	1241105	BLACK KNOB FOR FILTER HOLDER M10
76	1241505	KNOB FILTER HOLDER M10
77	1165021	2 CUPS FILTER HOLDER ASSEMBLY SAN MARCO
78	1165080	FILTER HOLDER ASSEMBLY 1 CUP SAN MARCO
79	1786009	O-RING GASKET 0178 RED SILICONE
80	3186015	O-RING GASKET OR 0178 EPDM



MANUAL BREW GROUP FCS



SM0202

Positions without LF code no.: upon request



SAN MARCO



Position	LF code no.	Description
1	1169011	CARTRIDGE 2 GROUPS
2	1186141	ASBESTOS FREE FLAT GASKET \varnothing 34x26.5x2 mm
2	1186361	PTFE FLAT GASKET \varnothing 34x27x2 mm
4	1186140	GASKET ROUND COPPER \varnothing 24x18.4x2.5 mm
7	1449500	PTFE PIPE \varnothing 2x4 mm - 10 m
8	1500002	NOZZLE M5x1
9	1186284	GROUP GASKET \varnothing 87x75x5.8 mm
11	1186136	ASBESTOS FREE FLAT GASKET \varnothing 29x22x2 mm
11	1186281	PTFE FLAT GASKET \varnothing 28x23x2 mm
13	1348326	SPRING RING RADIAL \varnothing 7 mm
15	1324080	DRAIN FORK PIN
17	1186138	GASKET HOLDER PIN
18	1186111	FLAT EPDM GASKET \varnothing 14x4x4 mm
18	1186311	NBR FLAT GASKET \varnothing 13x4x4 mm
20	1250541	SPRING \varnothing 12x15 mm
21	1349481	MANUAL COFFEE GROUP FITTING
23	1449372	DRAIN PIPE \varnothing 13 mm
24	1324083	TOP GROUP PIN
26	1349073	GASKET HOLDER BUSHING
27	1186282	EPDM FLAT GASKET \varnothing 16.5x6x4 mm
29	1250437	TAP SPRING \varnothing 16x21 mm
32	1240836	MICROSWITCH 20A 380V
35	1348025	HEXAGONAL NUT M3
39	1346506	SLIDING BUSHING \varnothing 5x10 mm
42	1250436	CONTROL ROD SPRING \varnothing 14x12 mm
43	1348049	ELASTIC CLASP \varnothing 4x20 mm
45	1241441	BREWING GROUP HANDLE
49	1186851	FILTER HOLDER GASKET \varnothing 64x52.5x5.5 mm
50	1086516	SHOWER HOLDER DIFFUSER
51	1081041	SHOWER SCREEN \varnothing 48 mm
52	1528011	SHOWER SCREW M5x20
53	1186285	GROUP GASKET \varnothing 51x19x1 mm
54	1190007	RUBBER PIECE \varnothing 64x53x1 mm EPDM
54	1190101	PAPER SEAL \varnothing 64x53x0.7 mm
55	1786009	O-RING GASKET 0178 RED SILICONE
56	3186015	O-RING GASKET OR 0178 EPDM
57	1160033	1 CUP FILTER 6 gr
58	1160133	2 CUPS FILTER 12 gr
59	1160273	FILTER 1-CUP 7 g
60	1160270	FILTER 2 CUPS 14 gr NEW TYPE
61	1160271	1-CUP FILTER 8 gr
62	1160274	2 CUP FILTER 16 g
63	1160044	1 CUP FILTER 9 gr
64	1160045	2 CUPS FILTER 18 gr
65	1160046	2 CUPS FILTER 21 gr
66	1160287	BLIND FILTER
67	1250101	FILTER BLOCKING SPRING \varnothing 1,00 mm INOX
68	1165051	FILTER HOLDER SAN MARCO
69	1022501	SINGLE SPOUT \varnothing 3/8"
70	1022503	STRAIGHT SINGLE SPOUT \varnothing 3/8"
71	1022502	DOUBLE SPOUT \varnothing 3/8"
72	1241105	BLACK KNOB FOR FILTER HOLDER M10
73	1241505	KNOB FILTER HOLDER M10
74	1165021	2 CUPS FILTER HOLDER ASSEMBLY SAN MARCO
75	1165080	FILTER HOLDER ASSEMBLY 1 CUP SAN MARCO



SAN MARCO

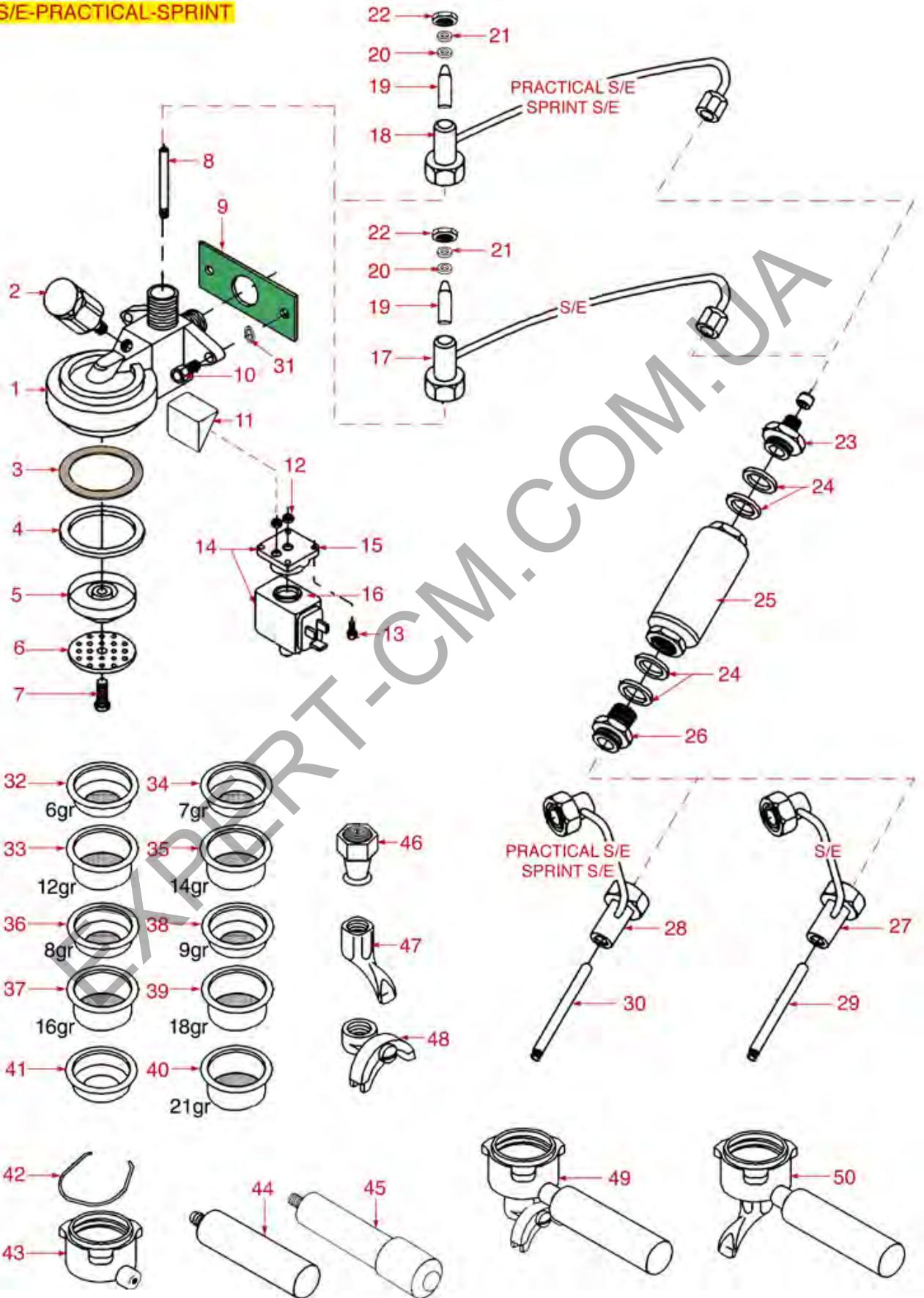


Position	LF code no.	Description
2	1186281	PTFE FLAT GASKET \varnothing 28x23x2 mm
3	1250437	TAP SPRING \varnothing 16x21 mm
5	1186282	EPDM FLAT GASKET \varnothing 16.5x6x4 mm
6	1324083	TOP GROUP PIN
7	1240836	MICROSWITCH 20A 380V
8	1186284	GROUP GASKET \varnothing 87x75x5.8 mm
9	1348326	SPRING RING RADIAL \varnothing 7 mm
10	1324080	DRAIN FORK PIN
11	1241441	BREWING GROUP HANDLE
13	1186111	FLAT EPDM GASKET \varnothing 14x4x4 mm
15	1323416	STAINLESS STEEL BALL \varnothing 10 mm
16	1250541	SPRING \varnothing 12x15 mm
17	1186356	O-RING 03075 EPDM
18	1190007	RUBBER PIECE \varnothing 64x53x1 mm EPDM
18	1190101	PAPER SEAL \varnothing 64x53x0.7 mm
19	1186851	FILTER HOLDER GASKET \varnothing 64x52.5x5.5 mm
20	1186285	GROUP GASKET \varnothing 51x19x1 mm
21	1086516	SHOWER HOLDER DIFFUSER
22	1081041	SHOWER SCREEN \varnothing 48 mm
23	1528011	SHOWER SCREW M5x20
23	1528023	COUNTERSUNK FLAT HEAD SCREWS M5x16
24	1786009	O-RING GASKET 0178 RED SILICONE
25	3186015	O-RING GASKET OR 0178 EPDM
26	1160033	1 CUP FILTER 6 gr
27	1160133	2 CUPS FILTER 12 gr
28	1160273	FILTER 1-CUP 7 g
29	1160270	FILTER 2 CUPS 14 gr NEW TYPE
30	1160271	1-CUP FILTER 8 gr
31	1160274	2 CUP FILTER 16 gr
32	1160044	1 CUP FILTER 9 gr
33	1160045	2 CUPS FILTER 18 gr
34	1160046	2 CUPS FILTER 21 gr
35	1160287	BLIND FILTER
36	1165051	FILTER HOLDER SAN MARCO
37	1022501	SINGLE SPOUT \varnothing 3/8"
38	1022503	STRAIGHT SINGLE SPOUT \varnothing 3/8"
39	1022502	DOUBLE SPOUT \varnothing 3/8"
40	1241105	BLACK KNOB FOR FILTER HOLDER M10
41	1241505	KNOB FILTER HOLDER M10
42	1250101	FILTER BLOCKING SPRING \varnothing 1,00 mm INOX
43	1165021	2 CUPS FILTER HOLDER ASSEMBLY SAN MARCO
44	1165080	FILTER HOLDER ASSEMBLY 1 CUP SAN MARCO



BREW GROUP 100 S/E-PRACT-SPRINT

100 S/E-PRACTICAL-SPRINT



SM0402

Positions without LF code no.: upon request



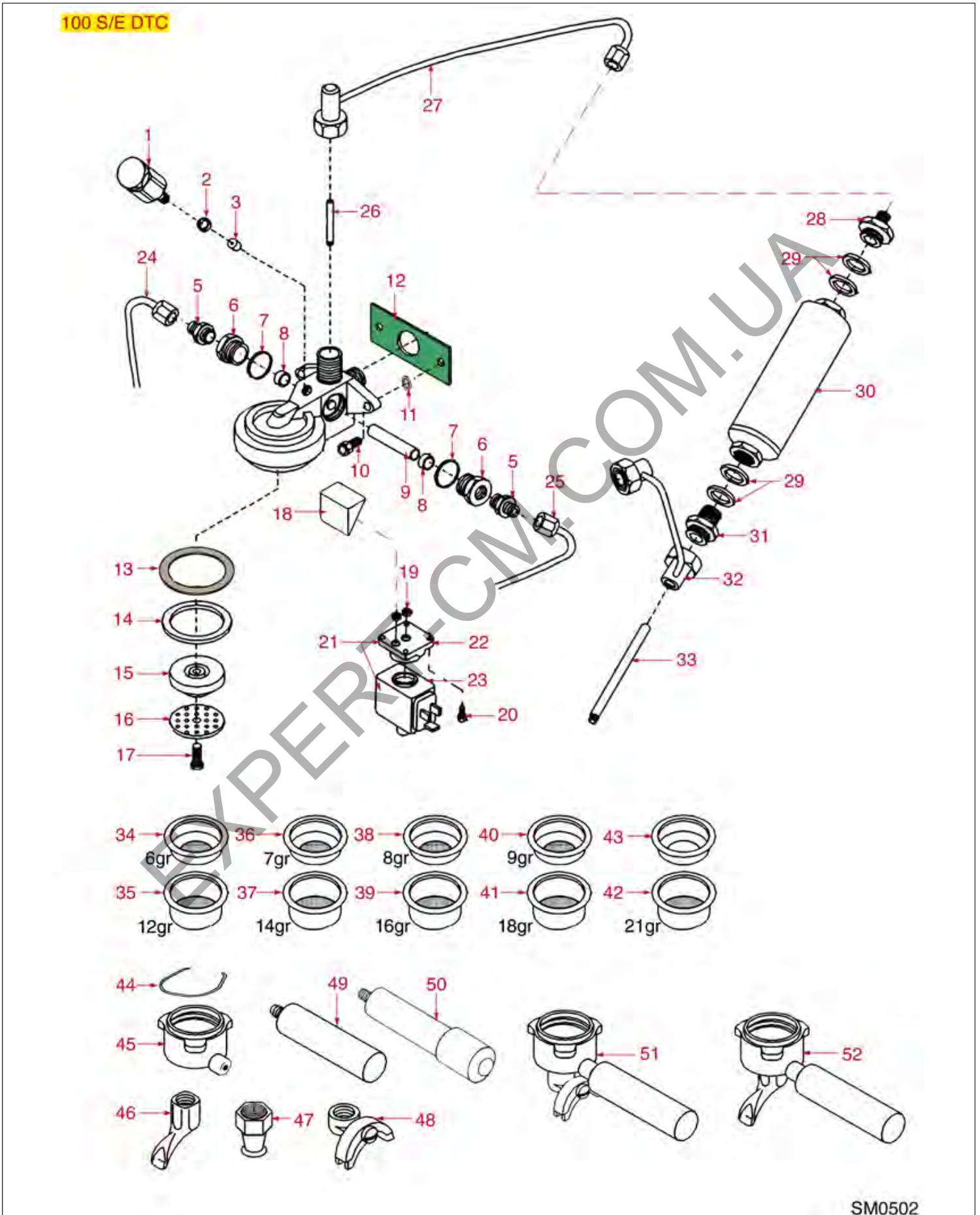
SAN MARCO



Position	LF code no.	Description
2	1202001	GROUP INFUSER
3	1190007	RUBBER PIECE \varnothing 64x53x1 mm EPDM
3	1190101	PAPER SEAL \varnothing 64x53x0.7 mm
4	1186786	GASKET FILTER HOLDER \varnothing 64x52.5x5.5 mm
5	1086516	SHOWER HOLDER DIFFUSER
6	1081041	SHOWER SCREEN \varnothing 48 mm
7	1528011	SHOWER SCREW M5x20
8	1501583	NOZZLE GROUP
9	1186521	COFFEE GROUP GASKET 95x45 mm
10	1528026	CYLINDER HEAD SCREW M8x20
12	1186611	O-RING 02025 RED SILICONE
13	1184006	LOW CYLINDER HEAD SCREW M4x12
14	1120101	3-WAY SOLENOID VALVE PARKER 115V 50/60Hz
14	1120102	3-WAY SOLENOID VALVE LUCIFER 115V 60Hz
14	1120330	3-WAY SOLENOID VALVE LUCIFER 240V 50Hz
14	1120335	3-WAY SOLENOID VALVE PARKER 230V 50/60Hz
15	1120334	3-WAY MECHANICAL COMPONENT LUCIFER
15	1120339	3-WAY MECHANICAL COMPONENT PARKER
16	1120332	COIL LUCIFER/PARKER 220/240V 9W 50Hz
16	3120032	COIL PARKER ZB09 9W 220/240V 50/60Hz
17	1449121	EXCHANGER ASSEMBLY PIPE
20	1186304	O-RING 0112 EPDM
23	1349395	UPPER THERMAL FITTING
24	1186290	PTFE FLAT GASKET \varnothing 27x21x2 mm
25	1449109	THERMAL PIPE \varnothing 1/2"
26	1349396	LOWER THERMAL FITTING
27	1449389	EXCHANGER ASSEMBLY PIPE
29	1449119	INJECTION PIPE \varnothing 1/8" M
32	1160033	1 CUP FILTER 6 gr
33	1160133	2 CUPS FILTER 12 gr
34	1160273	FILTER 1-CUP 7 g
35	1160270	FILTER 2 CUPS 14 gr NEW TYPE
36	1160271	1-CUP FILTER 8 gr
37	1160274	2 CUP FILTER 16 g
38	1160044	1 CUP FILTER 9 gr
39	1160045	2 CUPS FILTER 18 gr
40	1160046	2 CUPS FILTER 21 gr
41	1160287	BLIND FILTER
42	1250101	FILTER BLOCKING SPRING \varnothing 1,00 mm INOX
43	1160024	FILTER HOLDER SAN MARCO
44	1241104	SATIN BLACK KNOB FOR FILTER HOLDER M10
45	1241505	KNOB FILTER HOLDER M10
46	1022503	STRAIGHT SINGLE SPOUT \varnothing 3/8"
47	1022501	SINGLE SPOUT \varnothing 3/8"
48	1022502	DOUBLE SPOUT \varnothing 3/8"
49	1165021	2 CUPS FILTER HOLDER ASSEMBLY SAN MARCO
50	1165080	FILTER HOLDER ASSEMBLY 1 CUP SAN MARCO



BREW GROUP 100 S/E DTC



Positions without LF code no.: upon request



SAN MARCO

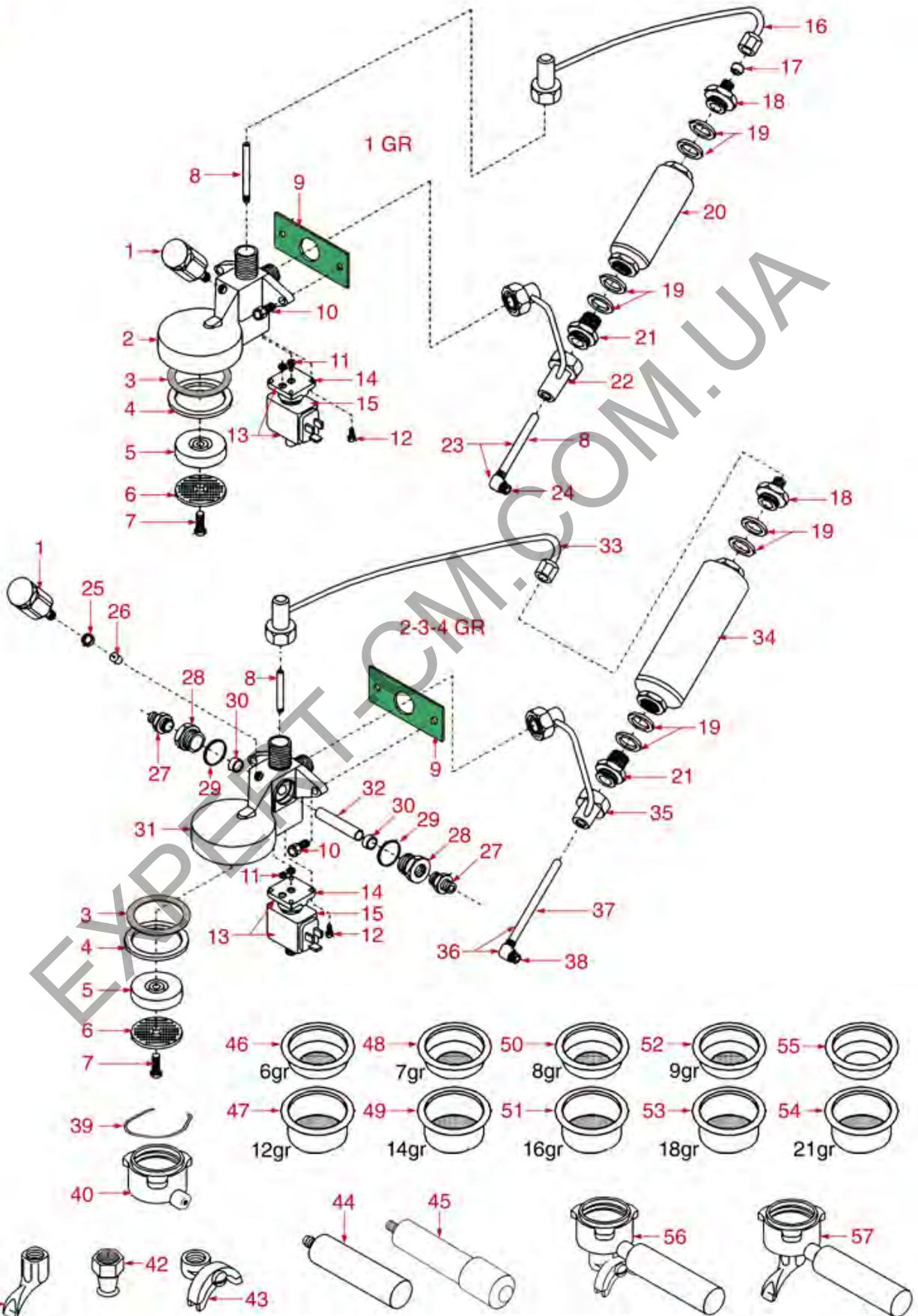


Position	LF code no.	Description
1	1202001	GROUP INFUSER
2	3243086	O-RING 0117 EPDM
5	1349397	GROUP FITTING
7	1186292	GASKET OR 0130 SILICONE
7	1186796	RED SILICONE O-RING 03087
8	3348044	PIPE OLIVE \varnothing 10 mm
10	1528026	CYLINDER HEAD SCREW M8x20
12	1186521	COFFEE GROUP GASKET 95x45 mm
13	1190007	RUBBER PIECE \varnothing 64x53x1 mm EPDM
13	1190101	PAPER SEAL \varnothing 64x53x0.7 mm
14	1186786	GASKET FILTER HOLDER \varnothing 64x52.5x5.5 mm
15	1086516	SHOWER HOLDER DIFFUSER
16	1081041	SHOWER SCREEN \varnothing 48 mm
17	1528011	SHOWER SCREW M5x20
19	1186611	O-RING 02025 RED SILICONE
20	1184006	LOW CYLINDER HEAD SCREW M4x12
21	1120101	3-WAY SOLENOID VALVE PARKER 115V 50/60Hz
21	1120102	3-WAY SOLENOID VALVE LUCIFER 115V 60Hz
21	1120330	3-WAY SOLENOID VALVE LUCIFER 240V 50Hz
21	1120335	3-WAY SOLENOID VALVE PARKER 230V 50/60Hz
22	1120334	3-WAY MECHANICAL COMPONENT LUCIFER
22	1120339	3-WAY MECHANICAL COMPONENT PARKER
23	1120332	COIL LUCIFER/PARKER 220/240V 9W 50Hz
23	3120032	COIL PARKER ZB09 9W 220/240V 50/60Hz
26	1501006	NOZZLE GROUP
26	1501583	NOZZLE GROUP
27	1449378	EXCHANGER ASSEMBLY PIPE
28	1349395	UPPER THERMAL FITTING
29	1186290	PTFE FLAT GASKET \varnothing 27x21x2 mm
30	1449379	THERMAL PIPE \varnothing 1/2"
31	1349396	LOWER THERMAL FITTING
32	1449389	EXCHANGER ASSEMBLY PIPE
34	1160033	1 CUP FILTER 6 gr
35	1160133	2 CUPS FILTER 12 gr
36	1160273	FILTER 1-CUP 7 g
37	1160270	FILTER 2 CUPS 14 gr NEW TYPE
38	1160271	1-CUP FILTER 8 gr
39	1160274	2 CUP FILTER 16 g
40	1160044	1 CUP FILTER 9 gr
41	1160045	2 CUPS FILTER 18 gr
42	1160046	2 CUPS FILTER 21 gr
43	1160287	BLIND FILTER
44	1250101	FILTER BLOCKING SPRING \varnothing 1,00 mm INOX
45	1160024	FILTER HOLDER SAN MARCO
46	1022501	SINGLE SPOUT \varnothing 3/8"
47	1022503	STRAIGHT SINGLE SPOUT \varnothing 3/8"
48	1022502	DOUBLE SPOUT \varnothing 3/8"
49	1241104	SATIN BLACK KNOB FOR FILTER HOLDER M10
50	1241505	KNOB FILTER HOLDER M10
51	1165021	2 CUPS FILTER HOLDER ASSEMBLY SAN MARCO
52	1165080	FILTER HOLDER ASSEMBLY 1 CUP SAN MARCO



BREW GROUP 105

105



SM0602

Positions without LF code no.: upon request



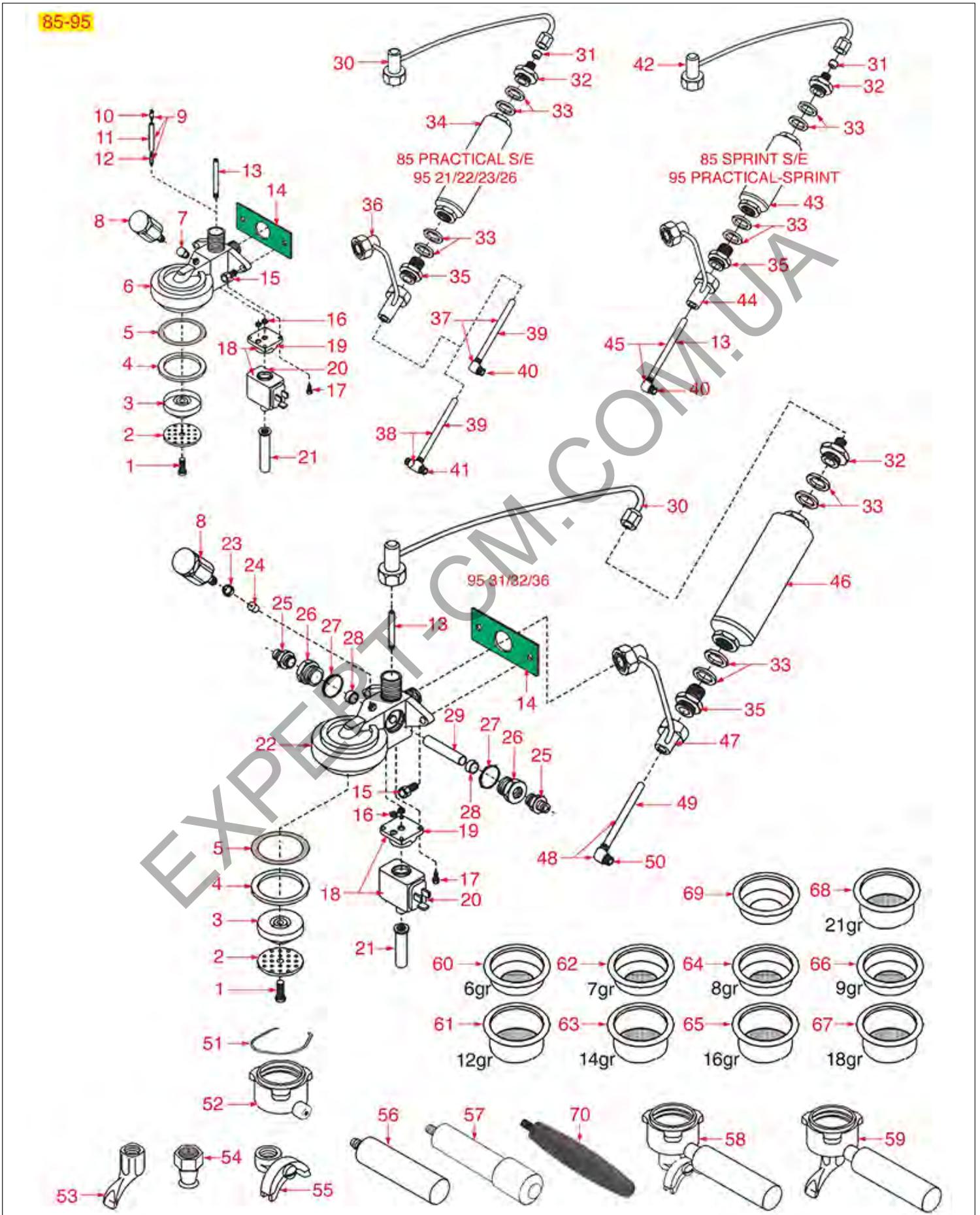
SAN MARCO



Position	LF code no.	Description
1	1202001	GROUP INFUSER
3	1190007	RUBBER PIECE \varnothing 64x53x1 mm EPDM
3	1190101	PAPER SEAL \varnothing 64x53x0.7 mm
4	1186786	GASKET FILTER HOLDER \varnothing 64x52.5x5.5 mm
5	1086001	SHOWER HOLDER DIFFUSER
6	1081041	SHOWER SCREEN \varnothing 48 mm
7	1528011	SHOWER SCREW M5x20
8	1501583	NOZZLE GROUP
9	1186521	COFFEE GROUP GASKET 95x45 mm
10	1528026	CYLINDER HEAD SCREW M8x20
11	1186611	O-RING 02025 RED SILICONE
12	1184006	LOW CYLINDER HEAD SCREW M4x12
13	1120350	3-WAY SOLENOID VALVE PARKER 24V 50/60Hz
14	1120339	3-WAY MECHANICAL COMPONENT PARKER
15	3120033	COIL PARKER ZB09 9W 24V 50/60Hz
16	1449120	EXCHANGER ASSEMBLY PIPE
17	1186787	CONICAL PTFE SEAL \varnothing 10x4x6 mm
18	1349395	UPPER THERMAL FITTING
19	1186290	PTFE FLAT GASKET \varnothing 27x21x2 mm
20	1449113	THERMAL PIPE \varnothing 1/2"
21	1349396	LOWER THERMAL FITTING
22	1449112	EXCHANGER ASSEMBLY PIPE
23	1449111	INJECTION PIPE \varnothing 1/4"M
25	3243086	O-RING 0117 EPDM
27	1349397	GROUP FITTING
29	1186796	RED SILICONE O-RING 03087
30	3348044	PIPE OLIVE \varnothing 10 mm
33	1449378	EXCHANGER ASSEMBLY PIPE
34	1449379	THERMAL PIPE \varnothing 1/2"
35	1449389	EXCHANGER ASSEMBLY PIPE
36	1449390	INJECTION PIPE \varnothing 1/8"M
39	1250101	FILTER BLOCKING SPRING \varnothing 1,00 mm INOX
40	1160024	FILTER HOLDER SAN MARCO
41	1022501	SINGLE SPOUT \varnothing 3/8"
42	1022503	STRAIGHT SINGLE SPOUT \varnothing 3/8"
43	1022502	DOUBLE SPOUT \varnothing 3/8"
45	1241505	KNOB FILTER HOLDER M10
46	1160033	1 CUP FILTER 6 gr
47	1160133	2 CUPS FILTER 12 gr
48	1160273	FILTER 1-CUP 7 g
49	1160270	FILTER 2 CUPS 14 gr NEW TYPE
50	1160271	1-CUP FILTER 8 gr
51	1160274	2 CUP FILTER 16 g
52	1160044	1 CUP FILTER 9 gr
53	1160045	2 CUPS FILTER 18 gr
54	1160046	2 CUPS FILTER 21 gr
55	1160287	BLIND FILTER
56	1165021	2 CUPS FILTER HOLDER ASSEMBLY SAN MARCO
57	1165080	FILTER HOLDER ASSEMBLY 1 CUP SAN MARCO



BREW GROUP 85-95



Positions without LF code no.: upon request



SAN MARCO

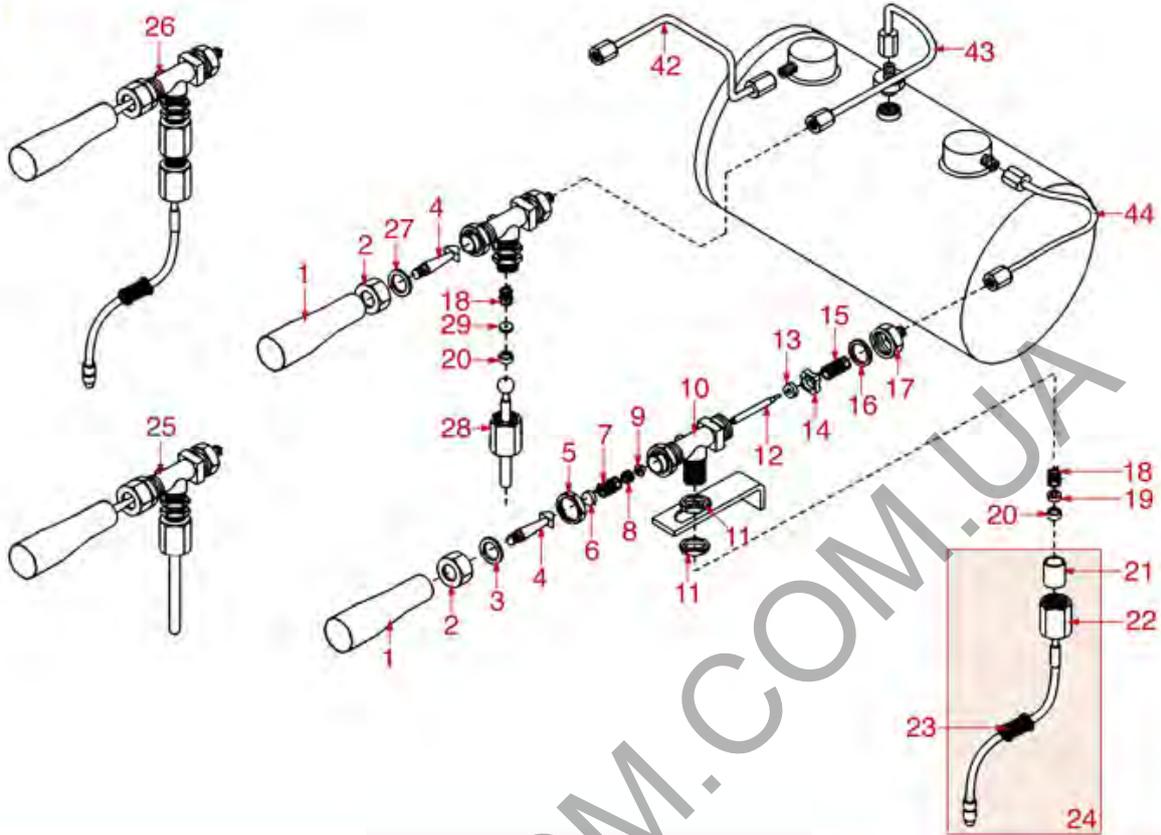


Pos.	LF code no.	Description	Pos.	LF code no.	Description
1	1528011	SHOWER SCREW M5x20	67	1160045	2 CUPS FILTER 18 gr
2	1081041	SHOWER SCREEN \varnothing 48 mm	68	1160046	2 CUPS FILTER 21 gr
3	1086516	SHOWER HOLDER DIFFUSER	69	1160287	BLIND FILTER
4	1186786	GASKET FILTER HOLDER \varnothing 64x52.5x5.5 mm	70	1141015	KNOB FILTER HOLDER ANTHRACITE M10
4	1186851	FILTER HOLDER GASKET \varnothing 64x52.5x5.5 mm			
5	1190007	RUBBER PIECE \varnothing 64x53x1 mm EPDM			
5	1190101	PAPER SEAL \varnothing 64x53x0.7 mm			
8	1202001	GROUP INFUSER			
9	1501582	COMPLETE NOZZLE			
10	1500002	NOZZLE M5x1			
13	1501006	NOZZLE GROUP			
13	1501583	NOZZLE GROUP			
14	1186521	COFFEE GROUP GASKET 95x45 mm			
15	1528026	CYLINDER HEAD SCREW M8x20			
16	1186611	O-RING 02025 RED SILICONE			
17	1184006	LOW CYLINDER HEAD SCREW M4x12			
18	1120101	3-WAY SOLENOID VALVE PARKER 115V 50/60Hz			
18	1120102	3-WAY SOLENOID VALVE LUCIFER 115V 60Hz			
18	1120330	3-WAY SOLENOID VALVE LUCIFER 240V 50Hz			
18	1120335	3-WAY SOLENOID VALVE PARKER 230V 50/60Hz			
19	1120334	3-WAY MECHANICAL COMPONENT LUCIFER			
19	1120339	3-WAY MECHANICAL COMPONENT PARKER			
20	1120332	COIL LUCIFER/PARKER 220/240V 9W 50Hz			
20	3120032	COIL PARKER ZB09 9W 220/240V 50/60Hz			
21	1449570	DRAIN PIPE \varnothing 1/8" Fx64 mm			
21	1449571	DRAIN PIPE			
23	3243086	O-RING 0117 EPDM			
25	1349397	GROUP FITTING			
26	1349397	GROUP FITTING			
27	1186796	RED SILICONE O-RING 03087			
28	3348044	PIPE OLIVE \varnothing 10 mm			
30	1449374	EXCHANGER ASSEMBLY PIPE			
30	1449378	EXCHANGER ASSEMBLY PIPE			
31	1186787	CONICAL PTFE SEAL \varnothing 10x4x6 mm			
32	1349395	UPPER THERMAL FITTING			
33	1186290	PTFE FLAT GASKET \varnothing 27x21x2 mm			
34	1449109	THERMAL PIPE \varnothing 1/2"			
35	1349396	LOWER THERMAL FITTING			
36	1449115	EXCHANGER ASSEMBLY PIPE			
36	1449375	EXCHANGER ASSEMBLY PIPE			
37	1449376	INJECTION PIPE \varnothing 1/4"M			
38	1449377	INJECTION PIPE \varnothing 1/4"M			
42	1449120	EXCHANGER ASSEMBLY PIPE			
43	1449113	THERMAL PIPE \varnothing 1/2"			
44	1449112	EXCHANGER ASSEMBLY PIPE			
45	1449111	INJECTION PIPE \varnothing 1/4"M			
46	1449379	THERMAL PIPE \varnothing 1/2"			
47	1449389	EXCHANGER ASSEMBLY PIPE			
48	1449376	INJECTION PIPE \varnothing 1/4"M			
48	1449390	INJECTION PIPE \varnothing 1/8"M			
51	1250101	FILTER BLOCKING SPRING \varnothing 1,00 mm INOX			
52	1165051	FILTER HOLDER SAN MARCO			
53	1022501	SINGLE SPOUT \varnothing 3/8"			
54	1022503	STRAIGHT SINGLE SPOUT \varnothing 3/8"			
55	1022502	DOUBLE SPOUT \varnothing 3/8"			
56	1241105	BLACK KNOB FOR FILTER HOLDER M10			
57	1241505	KNOB FILTER HOLDER M10			
58	1165021	2 CUPS FILTER HOLDER ASSEMBLY SAN MARCO			
59	1165080	FILTER HOLDER ASSEMBLY 1 CUP SAN MARCO			
60	1160033	1 CUP FILTER 6 gr			
61	1160133	2 CUPS FILTER 12 gr			
62	1160273	FILTER 1-CUP 7 g			
63	1160270	FILTER 2 CUPS 14 gr NEW TYPE			
64	1160271	1-CUP FILTER 8 gr			
65	1160274	2 CUP FILTER 16 g			
66	1160044	1 CUP FILTER 9 gr			

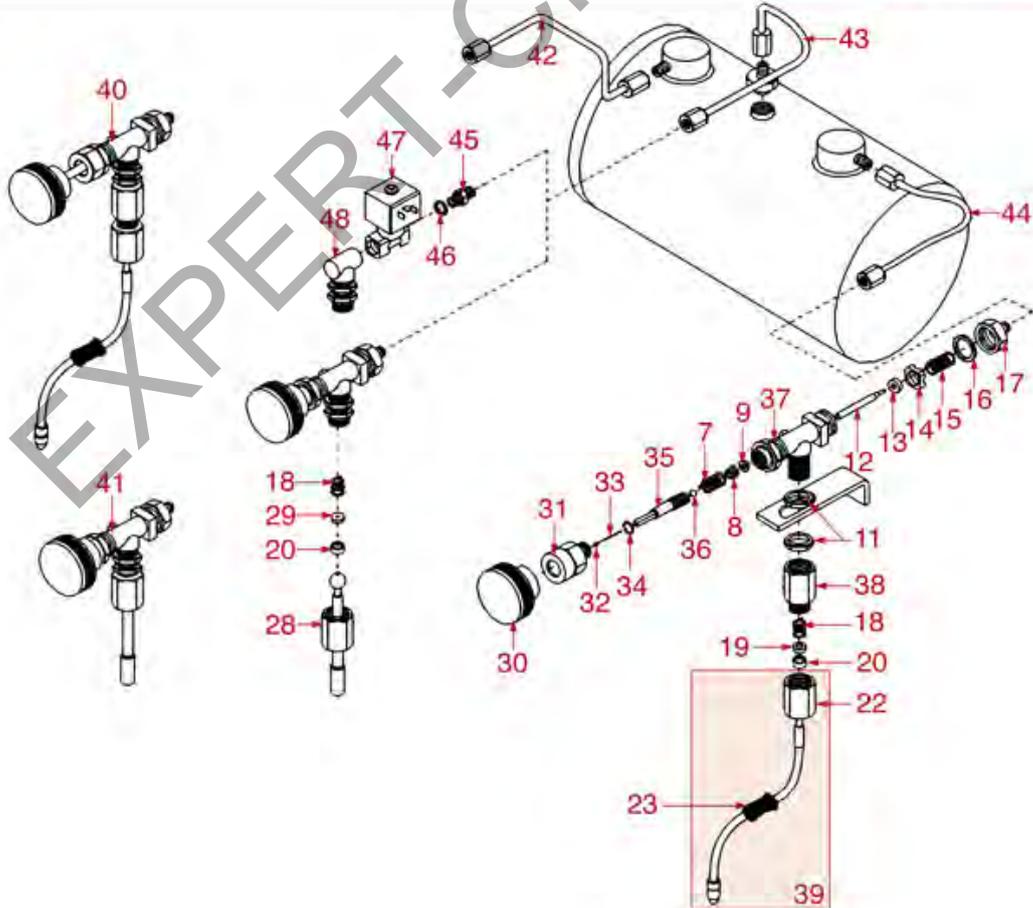


WATER/STEAM TAPS 100-105

100



105





SAN MARCO

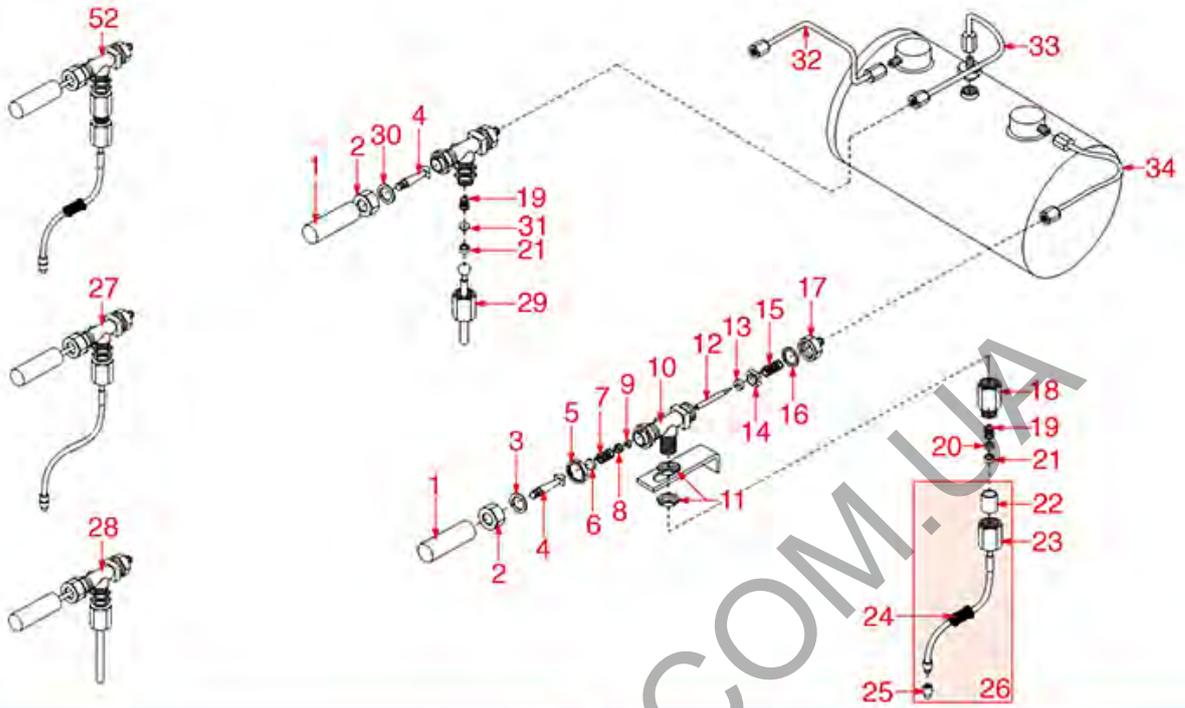


Position	LF code no.	Description
1	1241102	WATER/STEAM TAP KNOB
2	1528050	NICKEL-PLATED NUT
3	1186464	SHAPED STAINLESS STEEL WASHER
4	1324111	LEVER SPINDLE FOR TAP
5	1349487	TAP FITTING
6	1065501	ST.STEEL SHIELD FOR TAP
7	1250437	TAP SPRING \varnothing 16x21 mm
8	1186463	GASKET HOLDER
9	1186370	CONICAL PTFE SEAL \varnothing 12.5x7x5.5 mm
10	1348750	TAP BODY
12	1324081	TAP SPINDLE
13	1186369	EPDM FLAT GASKET \varnothing 15x5.5x4 mm
14	1523522	VALVE BODY
15	1250543	VALVE SPRING \varnothing 16x20 mm
16	1186368	ASBESTOS FREE FLAT GASKET \varnothing 23.5x20x1 mm
17	1349486	TAP COUPLING
18	1250541	SPRING \varnothing 12x15 mm
19	1186289	WASHER
20	1186372	CONICAL PTFE SEAL \varnothing 14.5x10.5x4.5 mm
21	1186785	CONICAL PTFE SEAL \varnothing 16x20 mm
22	1349451	STEAM TUBE FITTING \varnothing 3/8"
22	1548058	COUPLING FOR STEAM PIPE \varnothing 3/8" NEW TYPE
24	1449110	STAINLESS STEEL STEAM PIPE COMPL. \varnothing 10 m
27	1186142	ST.STEEL WASHER \varnothing 23x15x0.5 mm
28	1449401	COMPLETE WATER PIPE
29	1186783	WASHER FOR ARTICULATION \varnothing 14 mm
30	1241450	WATER/STEAM TAP KNOB
34	1186295	SPRING RING RADIAL \varnothing 8 mm
35	1324501	TAP SPINDLE
36	1323601	STAINLESS STEEL BALL \varnothing 6 mm
39	1449400	STEAM PIPE COMPLETE
40	1348760	STEAM TAP
41	1348759	WATER TAP
45	1349102	FITTING \varnothing 1/4"M-1/4"M
46	1186289	WASHER

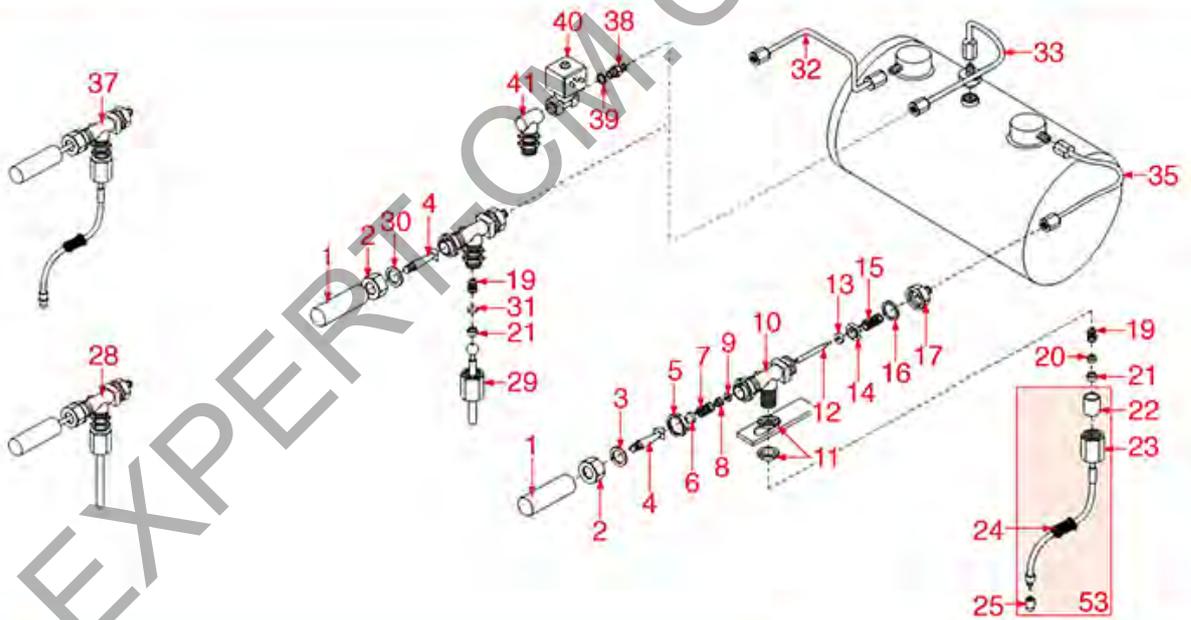


WATER/STEAM TAPS 85-95

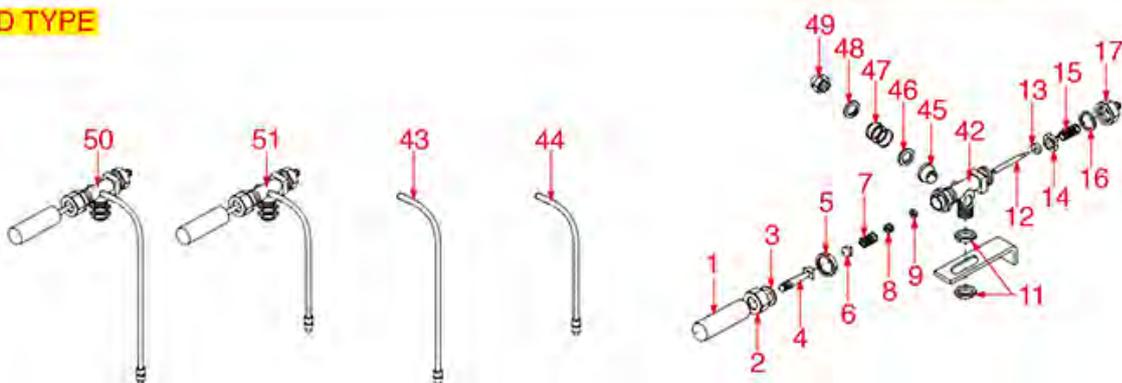
85



95



OLD TYPE





SAN MARCO

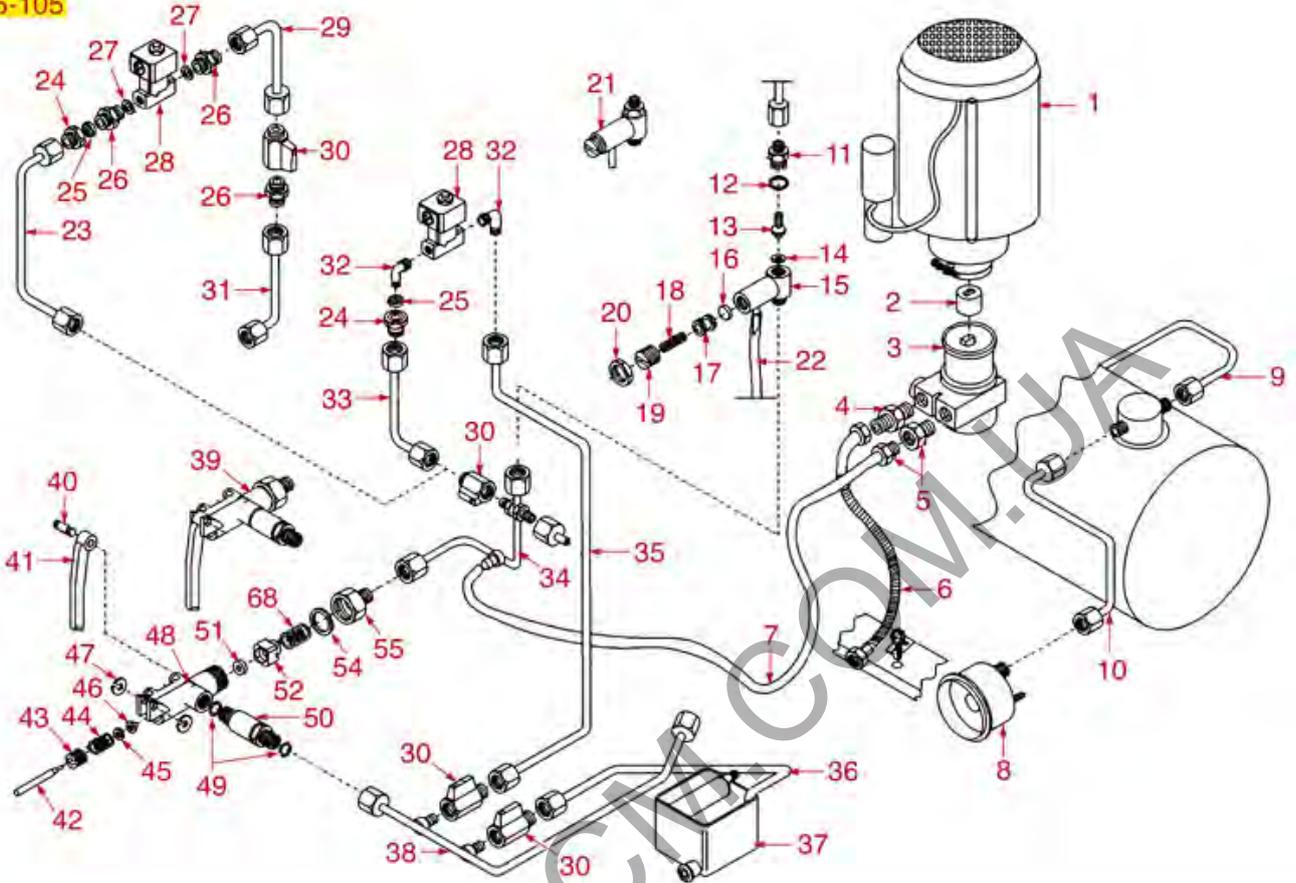


Position	LF code no.	Description
1	1241442	WATER/STEAM TAP KNOB
2	1528050	NICKEL-PLATED NUT
3	1186464	SHAPED STAINLESS STEEL WASHER
4	1324111	LEVER SPINDLE FOR TAP
5	1349487	TAP FITTING
6	1065501	ST.STEEL SHIELD FOR TAP
7	1250437	TAP SPRING \varnothing 16x21 mm
8	1186463	GASKET HOLDER
9	1186370	CONICAL PTFE SEAL \varnothing 12.5x7x5.5 mm
10	1348750	TAP BODY
12	1324081	TAP SPINDLE
13	1186369	EPDM FLAT GASKET \varnothing 15x5.5x4 mm
14	1523522	VALVE BODY
15	1250543	VALVE SPRING \varnothing 16x20 mm
16	1186368	ASBESTOS FREE FLAT GASKET \varnothing 23.5x20x1 mm
17	1349486	TAP COUPLING
19	1250541	SPRING \varnothing 12x15 mm
20	1186289	WASHER
21	1186372	CONICAL PTFE SEAL \varnothing 14.5x10.5x4.5 mm
22	1186785	CONICAL PTFE SEAL \varnothing 16x20 mm
23	1349451	STEAM TUBE FITTING \varnothing 3/8"
23	1548058	COUPLING FOR STEAM PIPE \varnothing 3/8" NEW TYPE
26	1449852	STEAM PIPE COMPLETE
27	1348751	STEAM TAP ASSEMBLY
29	1449401	COMPLETE WATER PIPE
30	1186142	ST.STEEL WASHER \varnothing 23x15x0.5 mm
31	1186783	WASHER FOR ARTICULATION \varnothing 14 mm
36	1449114	ST.STEEL COMPL.STEAM PIPE \varnothing 10 mm
37	5036202	TAP STEAM COMPLETE
38	1349102	FITTING \varnothing 1/4"M-1/4"M
39	1186289	WASHER
43	1449851	STEAM PIPE COMPLETE
45	1186286	CONICAL PTFE SEAL \varnothing 12x8x4 mm
52	1449118	COMPLETE STEAM TAP
53	1449114	ST.STEEL COMPL.STEAM PIPE \varnothing 10 mm

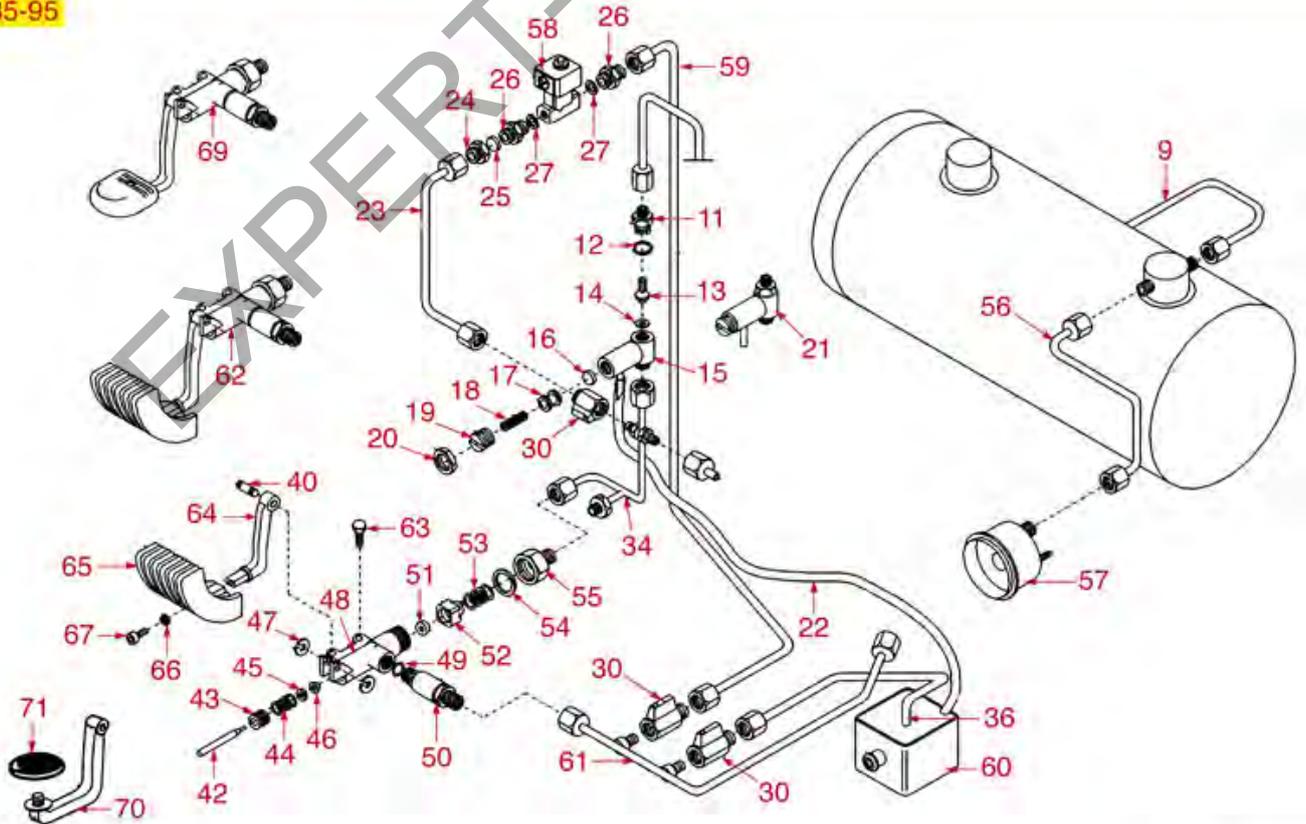


INLET AND NON-RETURN TAPS 105-95-85

85-105



85-95



SM1502

Positions without LF code no.: upon request



SAN MARCO

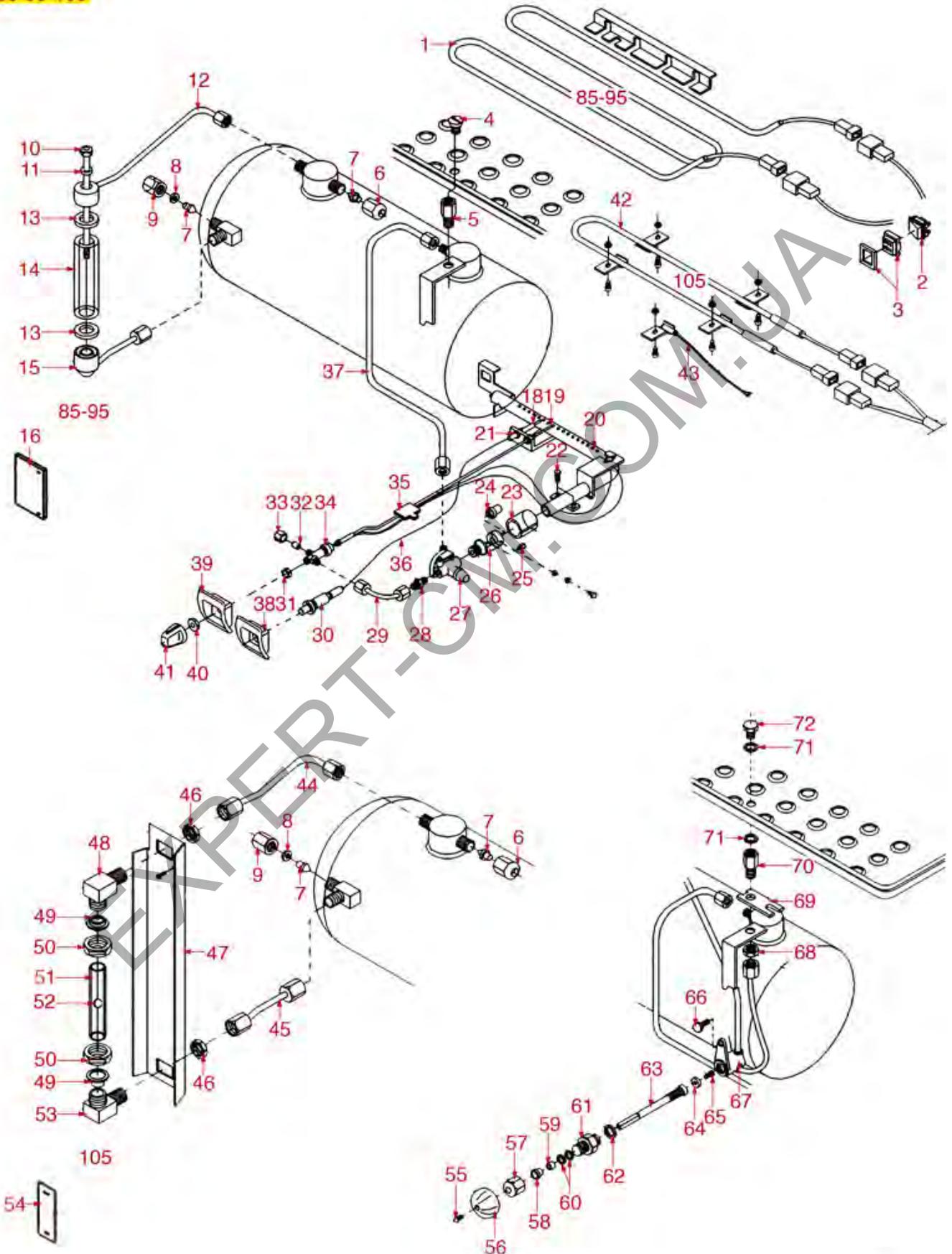


Position	LF code no.	Description
4	1349202	FITTING 3/8M-3/8M
8	1245081	BOILER PRESSURE GAUGE \varnothing 40 mm 0÷2.5 bar
8	1245661	BOILER-PUMP PRESSURE GAUGE \varnothing 63 mm
12	1186414	O-RING 0119 EPDM
13	1324082	PIN FOR VALVE
14	1186411	O-RING 02031 EPDM
15	1523523	NON-RETURN VALVE BODY
16	1186145	BLIND GASKET \varnothing 13x3 mm
17	1186146	GASKET HOLDER FOR TAP
18	1250041	SPRING \varnothing 10x28 mm
19	1439019	INLET TAP CAP \varnothing 18 mm
21	1348753	NON-RETURN VALVE
25	1160023	STAINLESS STEEL WATER FILTER \varnothing 11x2 mm
26	1349102	FITTING \varnothing 1/4"M-1/4"M
27	1186289	WASHER
30	3526699	BALL VALVE \varnothing 1/4" MF
40	1324079	TAP LEVER PIN \varnothing 6x26 mm
41	1225035	INLET TAP LEVER
42	1324081	TAP SPINDLE
43	1349039	ADJUSTMENT FITTING
44	1250541	SPRING \varnothing 12x15 mm
45	1186462	FLAT BRASS WASHER \varnothing 12x8x2 mm
46	1186370	CONICAL PTFE SEAL \varnothing 12.5x7x5.5 mm
47	1348817	CIRCLIP RADIAL \varnothing 4 mm
49	1186140	GASKET ROUND COPPER \varnothing 24x18.4x2.5 mm
50	1523701	NON-RETURN VALVE \varnothing 3/8"M-3/8"M
51	1186369	EPDM FLAT GASKET \varnothing 15x5.5x4 mm
52	1523522	VALVE BODY
53	1250542	SPRING \varnothing 15x20 mm
54	1186368	ASBESTOS FREE FLAT GASKET \varnothing 23.5x20x1 mm
57	1245661	BOILER-PUMP PRESSURE GAUGE \varnothing 63 mm
58	1120153	2-WAY SOLENOID VALVE PARKER 110V 50/60Hz
58	1120354	2-WAY SOLENOID VALVE PARKER 230V 50/60Hz
60	1527511	DRAIN TUB
65	1241061	INLET TAP LEVER
68	1250234	SPRING \varnothing 14.5x20 mm INLET TAP
71	1241515	INLET TAP LEVER



LEVEL GAUGE-GAS-CUP WARMING 105/95/85

85-95-105



SM2002

Positions without LF code no.: upon request



SAN MARCO



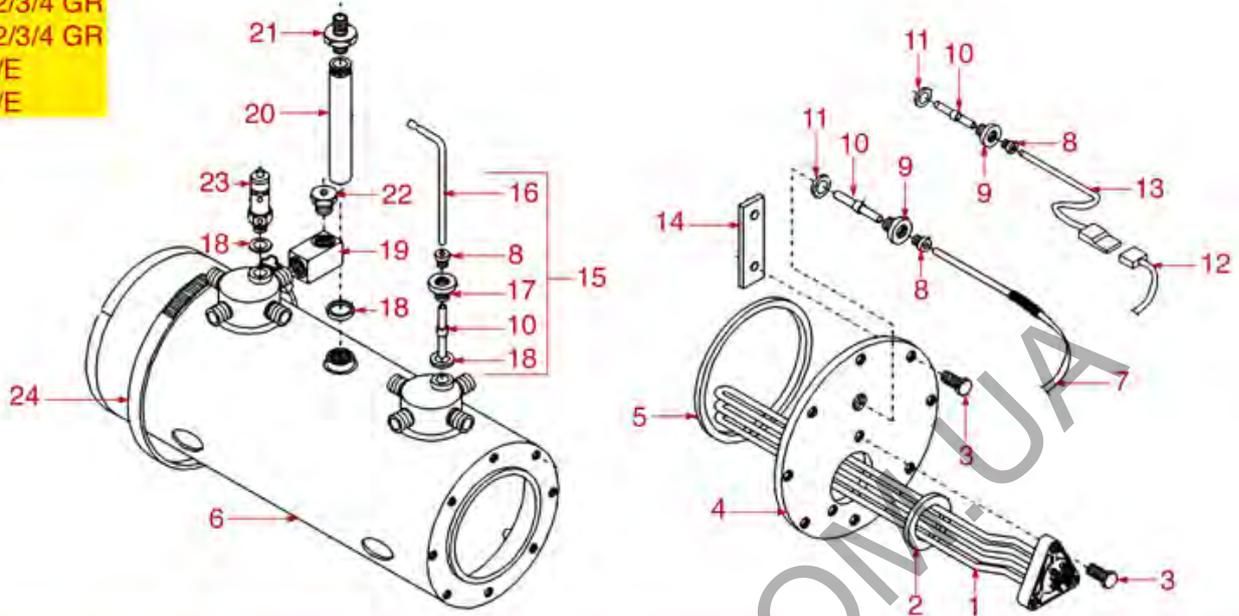
Position	LF code no.	Description
2	3319296	BLACK BIPOLAR SWITCH 16A 250V
3	3319501	PUSH-BUTTON PROTECTION CAP
8	1186289	WASHER
10	1528523	STAINLESS STEEL TIE ROD F. LEVEL
11	1186148	ASBESTOS FREE FLAT GASKET \varnothing 15x7x2 mm
12	1449380	UPPER LEVEL-BOILER PIPE
13	1186256	SILICONE FLAT GASKET \varnothing 31x19x3 mm
14	1520566	LEVEL GLASS \varnothing 30x110 mm
15	1449381	BOILER LEVEL LOWER PIPE
15	1449382	BOILER LEVEL LOWER PIPE
16	1201015	LEVEL PLATE 88x46 mm
30	3001007	PIEZO IGNITER
38	1244001	PLATE FOR PIEZO IGNITER
39	1244002	PLATE FOR GAS TAP
49	1186257	FLAT SILICONE GASKET
51	1520001	LEVEL GLASS \varnothing 15x115 mm
52	1323001	RED LEVEL BALL \varnothing 5.8 mm
54	1201014	LEVEL PLATE 82x30 mm
56	1241446	CUP WARMER KNOB
58	1186151	CUP WARMING STUFFING GLAND TAP
59	1186150	GASKET FLAT CABLE \varnothing 11x8x15 mm
60	1186411	O-RING 02031 EPDM
62	1186149	ASBESTOS FREE FLAT GASKET \varnothing 22x18x2 mm
64	1186111	FLAT EPDM GASKET \varnothing 14x4x4 mm
71	1186112	ASBESTOS FREE FLAT GASKET \varnothing 15x10x1 mm

EXPERT-CM.COM.UA

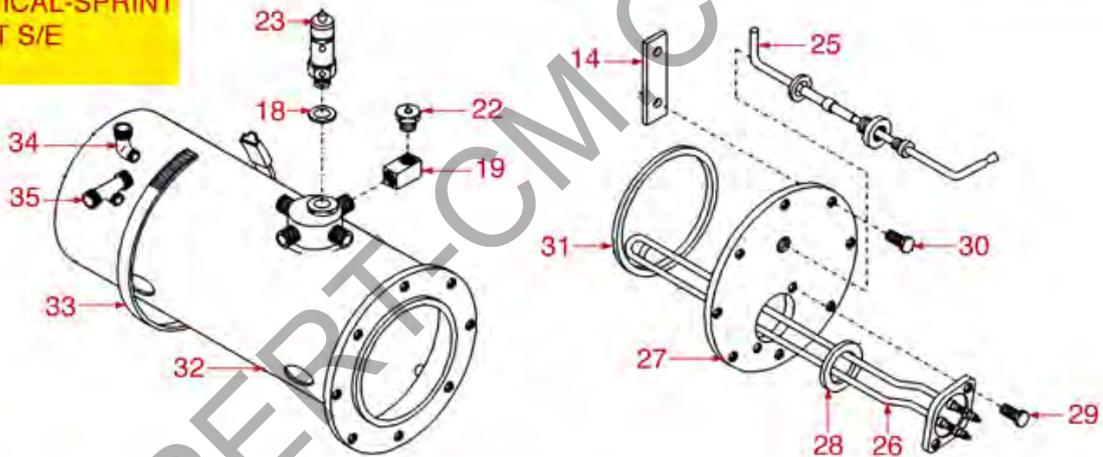


BOILER 100-105-95-85

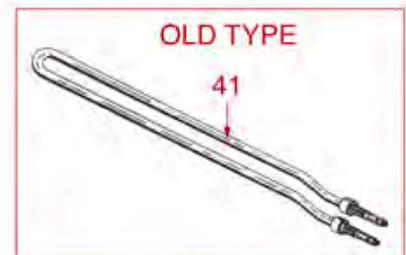
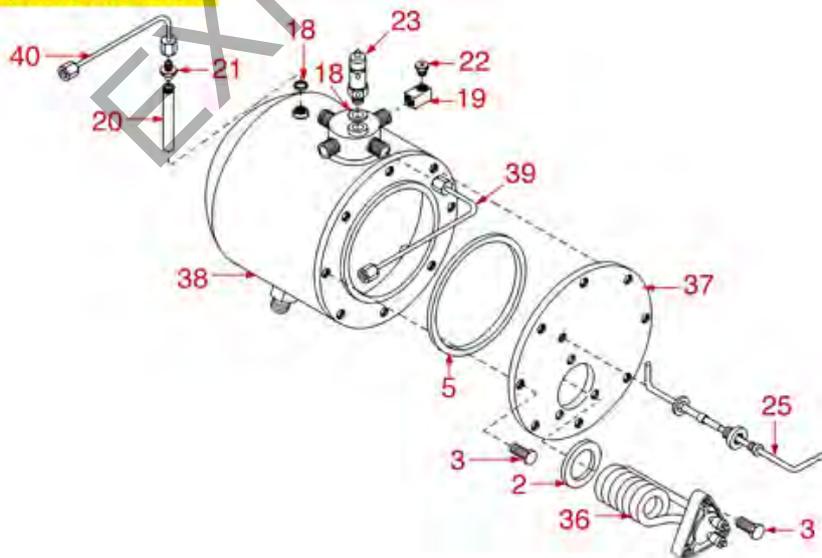
100 2/3/4 GR
105 2/3/4 GR
85 S/E
95 S/E



95 PRACTICAL-SPRINT
85 SPRINT S/E
105 1 GR



85 PRACTICAL S/E



SM2502



SAN MARCO



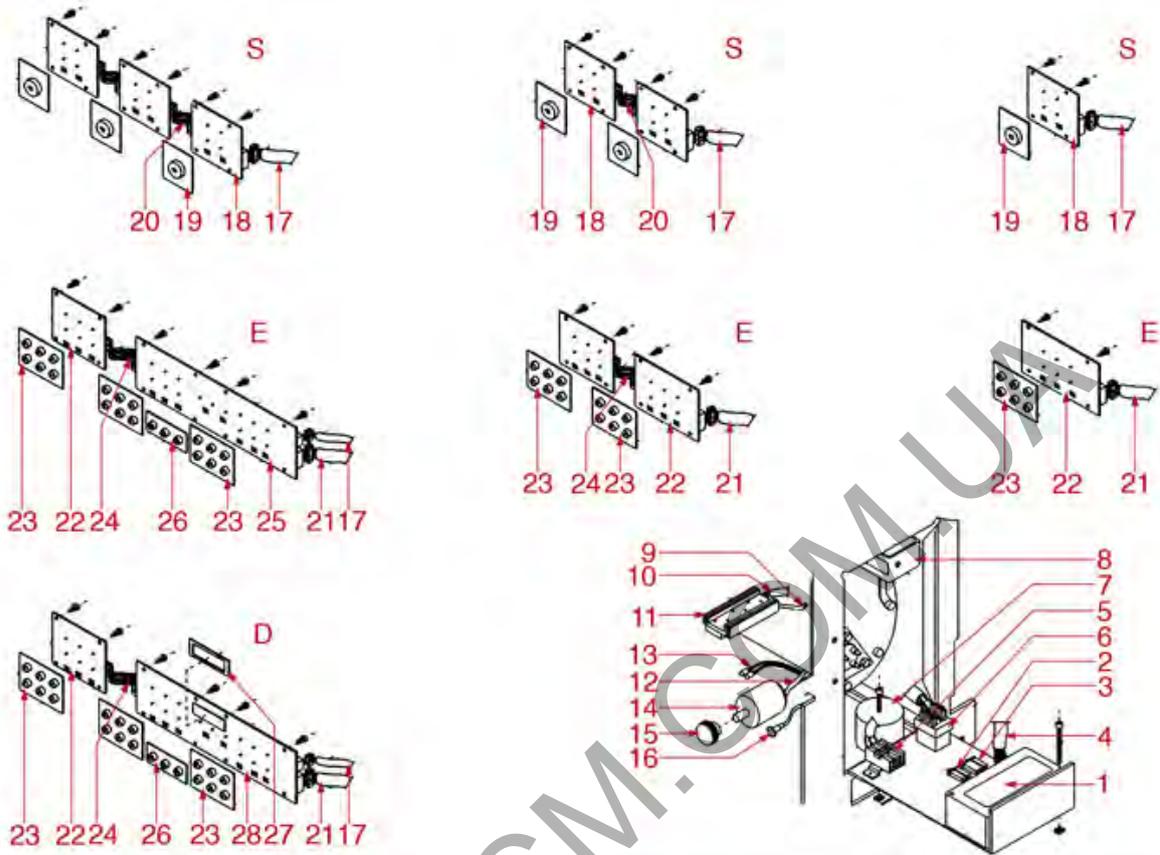
Position	LF code no.	Description
1	1755105	HEATING ELEMENT 4000W 230V
1	1755106	HEATING ELEMENT 5500W 230/400V
1	1755114	HEATING ELEMENT 3000W 230V
1	1755126	HEATING ELEMENT 3500W 230/400V
1	1755201	HEATING ELEMENT 3000W 230/400V
1	1755202	HEATING ELEMENT 4500W 230V
2	1186637	FLAT CARBO GASKET \varnothing 56x47x3 mm
2	5037638	GASKET FLAT PTFE \varnothing 56x46x3 mm
3	9528001	HEXAGON HEAD SCREW M10x25
5	1186566	BOILER GASKET \varnothing 165x150x3 mm
11	1186784	ASBESTOS FREE FLAT GASKET \varnothing 17.5x13x2 mm
15	1341014	LEVEL PROBE \varnothing 3/8"M-142 mm
18	1186140	GASKET ROUND COPPER \varnothing 24x18.4x2.5 mm
22	1523534	BOILER VALVE \varnothing 1/4"M
22	1523537	BOILER VALVE \varnothing 1/4"M
23	1523543	BOILER VALVE \varnothing M18x1.5 AUTO-CERTIFIED
23	1523572	BOILER VALVE \varnothing 3/8"M - 1.8 bar CE/PED
25	1341012	LEVEL PROBE \varnothing 1/4"M-85 mm
26	1755783	HEATING ELEMENT 4500W 230/400V
26	1755784	HEATING ELEMENT 2000W 230V
26	1755785	HEATING ELEMENT 3000W 230V
28	1186156	ASBESTOS FREE FLAT GASKET \varnothing 50x40x2 mm
28	1186608	PTFE FLAT GASKET \varnothing 50x40x2 mm
28	1786215	FLAT GASKET CARBO 50x40x2 mm
29	1528622	HEXAGON HEAD SCREW M8x16
31	1186565	BOILER GASKET \varnothing 131x123x3 mm
36	1755203	HEATING ELEMENT 1750W 220V
36	1755781	HEATING ELEMENT 1750W 110V
41	1755196	HEATING ELEMENT 1000W 220V
41	1755197	HEATING ELEMENT 1300W 220V
41	1755198	HEATING ELEMENT 1850W 220V

EXPERT-CIVIL.COM.UA

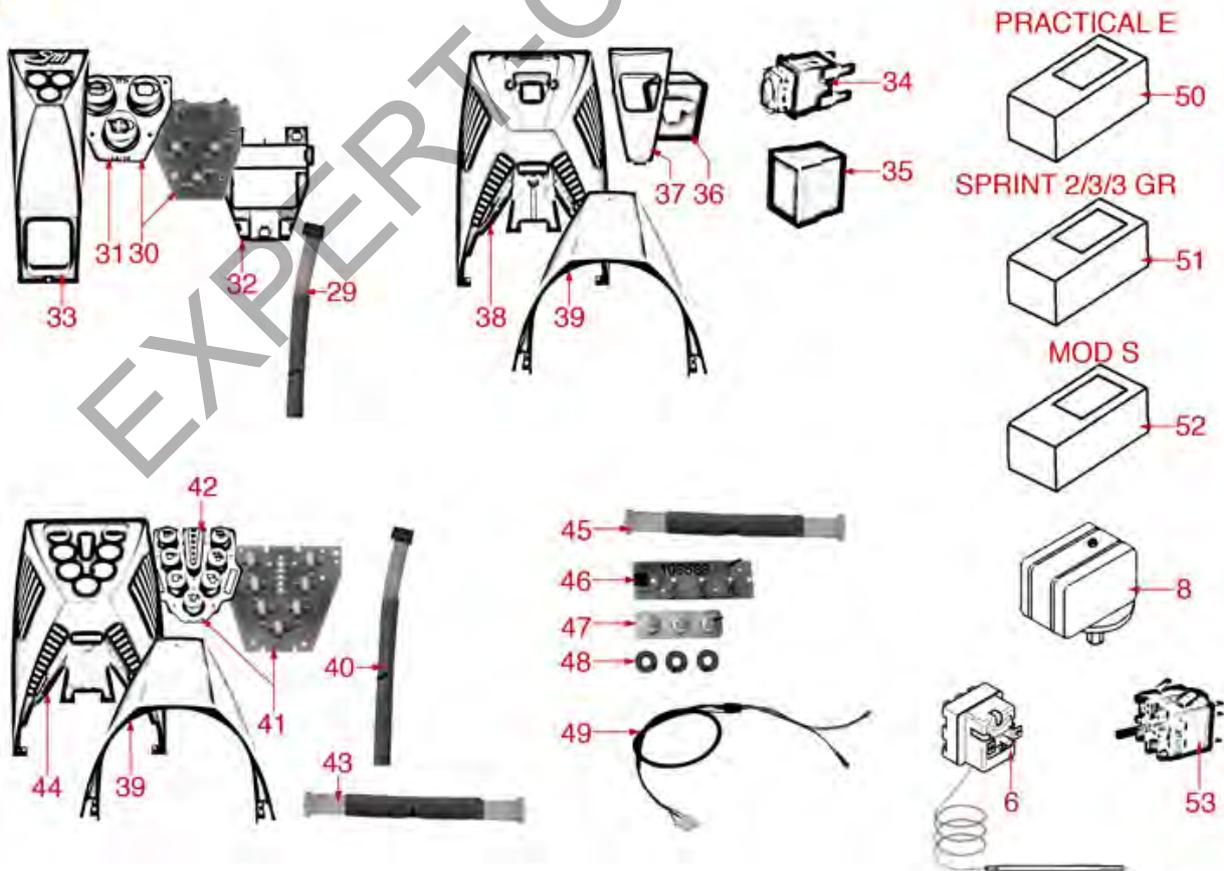


ELECTRIC EQUIPMENT/PUSH BUTTONS 100-105

105



100



SM3002



SAN MARCO



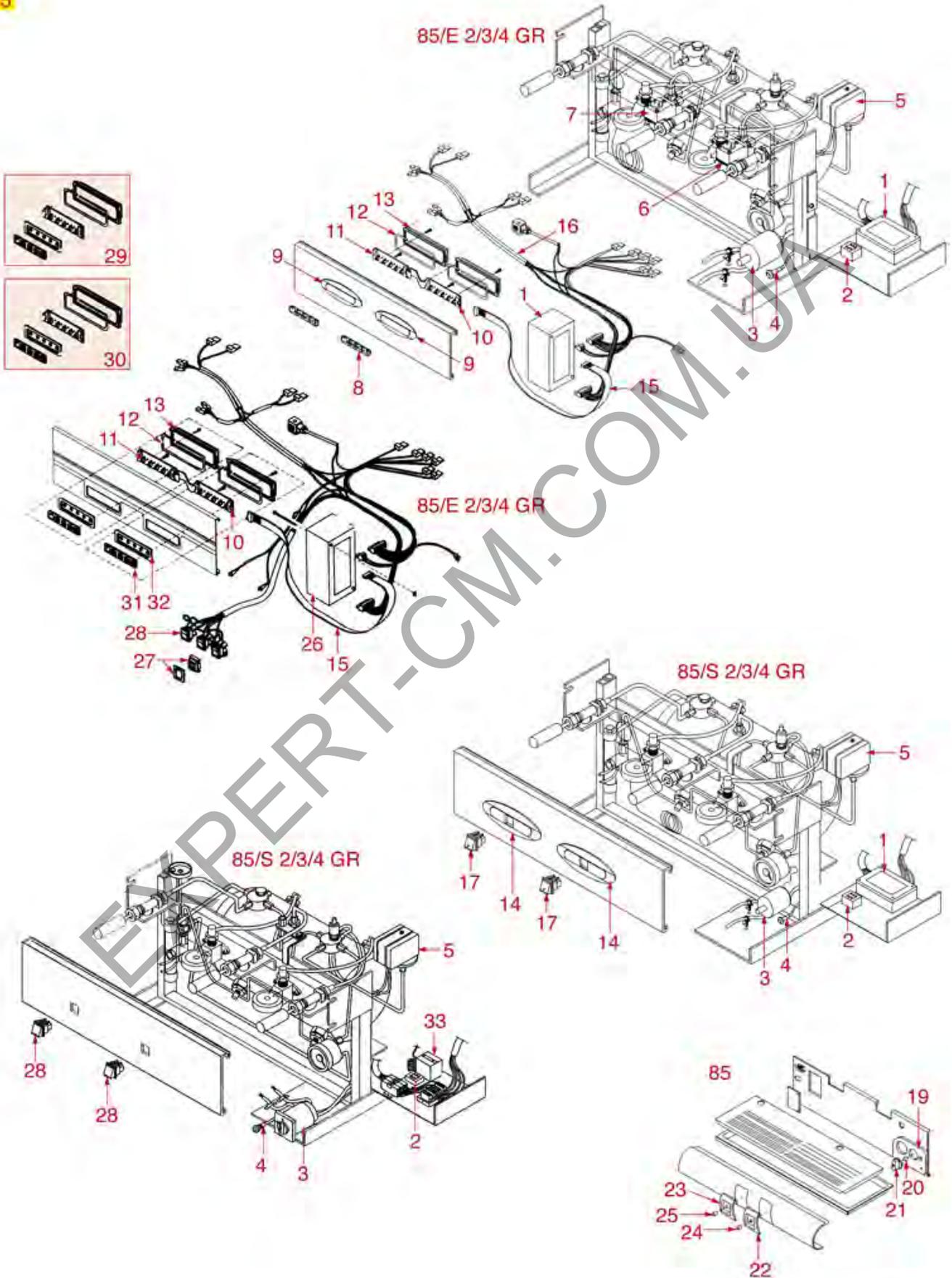
Position	LF code no.	Description
1	1054401	DOSING CONTROL BOX 2-3-4 GROUPS 230V
1	1054402	DOSER CONTROL BOX 2-3-4 GROUPS 230V
1	1054403	DOSING CONTROL BOX 2-3-4 GROUPS 230V
6	1444509	THREE-PHASE THERMOSTAT 169°C
8	1320531	PRESSURE SWITCH P302/6 3-POLES 30A
14	1057044	SELECTOR SWITCH 0-2 POSITIONS 32A 600V
15	1241449	SELECTOR SWITCH KNOB
16	1221003	RED INDICATOR LAMP 24V
19	1319258	PUSH-BUTTON PANEL MEMBRANE 1 BUTTON
22	1319575	PUSH-BUTTON PANEL BOARD 6 BUTTONS
23	1319573	PUSH-BUTTON PANEL MEMBRANE 6 BUTTONS
25	1319576	PUSH-BUTTON PANEL BOARD 15 BUTTONS
26	1319574	PUSH-BUTTON PANEL MEMBRANE 3 BUTTONS
31	1319265	PUSH-BUTTON PANEL MEMBRANE 3 BUTTONS
33	1244006	PLATE FOR WATER PUSH-BUTTON PANEL
34	1319268	WHITE BIPOLAR SWITCH 16A 250V
35	1319266	PUSH-BUTTON SUPPORT
36	1319269	SWITCH BUTTON
37	1244005	CHROME-PLATED COVER PLATE
38	1244007	PLATE FOR PUSH-BUTTON
39	1244004	CHROME-PLATED GROUP COVER PLATE
41	1319254	PUSH-BUTTON PANEL 7 BUTTONS
42	1319270	PUSH-BUTTON PANEL MEMBRANE 7 BUTTONS
44	1244003	PLATE FOR PUSH-BUTTON PANEL
50	1054020	DOSER CONTROL BOX 1 GROUP 230V 50Hz
51	1054015	DOSER CONTROL BOX 2-3-4 GROUPS 230V
52	5033150	DOSING CONTROL BOX 1-2-3 GROUPS 230V
53	1057018	SELECTOR SWITCH 0-2 POSITIONS 16A 250V

EXPERT-CM.COM.UA



ELECTRIC EQUIPMENT AND PUSH BUTTONS 85

85



SM3102

Positions without LF code no.: upon request



SAN MARCO



Position	LF code no.	Description
1	1054017	DOSER CONTROL BOX 1-2 GROUPS 230V
1	5030943	DOSING CONTROL BOX 3-4 GROUPS 230V
2	1444509	THREE-PHASE THERMOSTAT 169°C
3	1057044	SELECTOR SWITCH 0-2 POSITIONS 32A 600V
4	3221537	RED INDICATOR LAMP 240V
5	1320531	PRESSURE SWITCH P302/6 3-POLES 30A
7	1455067	VOLUMETRIC FLOW METER GICAR
8	1319255	PUSH-BUTTON PANEL DIAPHRAGM 5 BUTTONS
9	1319256	PLATE FOR PUSH-BUTTON PANEL
17	3319296	BLACK BIPOLAR SWITCH 16A 250V
18	1054024	DOSER CONTROL BOX 1-2-3-4 GR 230V
19	1319011	MAIN SWITCH PLATE
21	1241448	SELECTOR SWITCH KNOB
22	1244001	PLATE FOR PIEZO IGNITER
23	1244002	PLATE FOR GAS TAP
27	3319501	PUSH-BUTTON PROTECTION CAP
28	3319029	BIPOLAR SWITCH GREEN 16A 250V
29	1319556	PULH -BUTTON PANEL 5 BUTTONS
30	1319557	PULH -BUTTON PANEL 5 BUTTONS
31	1319558	PUSH-BUTTON PANEL MEMBRANE - 5 BUTTONS
33	1054567	LEVEL REGULATOR RL30/1E/2C/F 230/240V

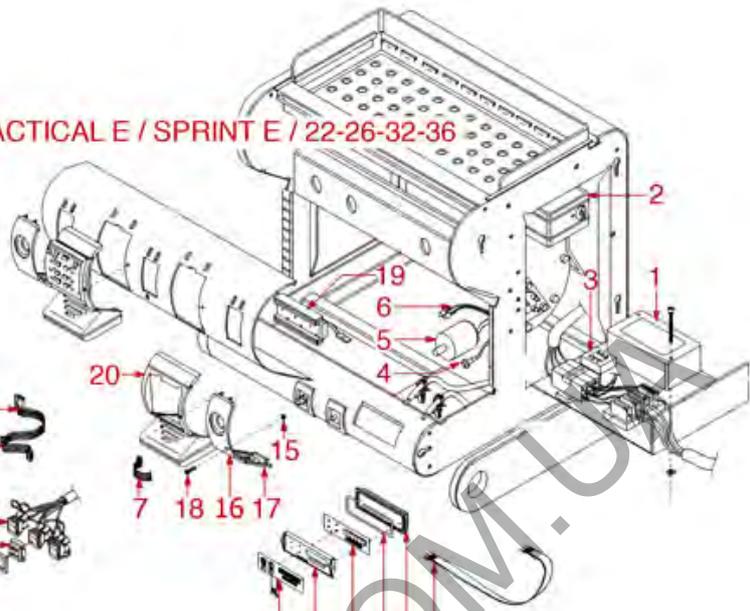
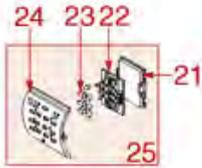
EXPERT-CM.COM.UA



ELECTRIC EQUIPMENT AND PUSH BUTTONS 95

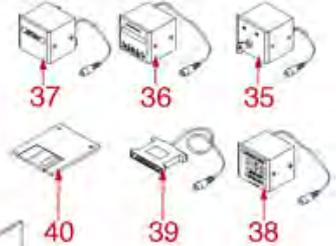
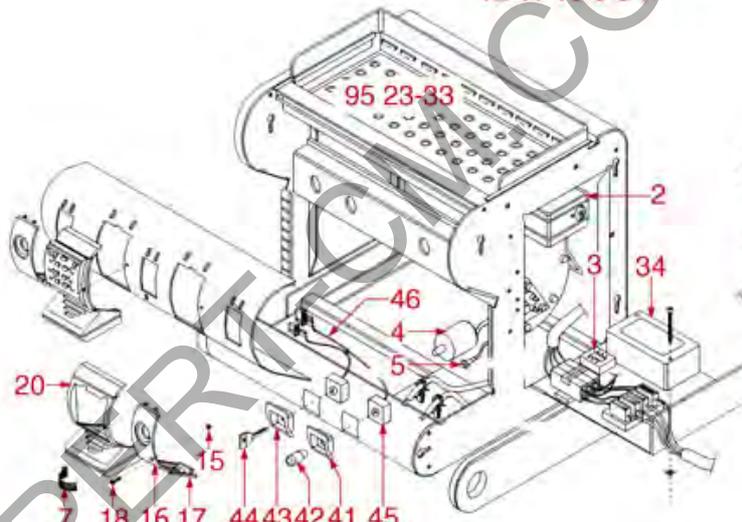
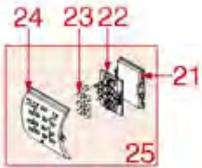
95

95 PRACTICAL E / SPRINT E / 22-26-32-36



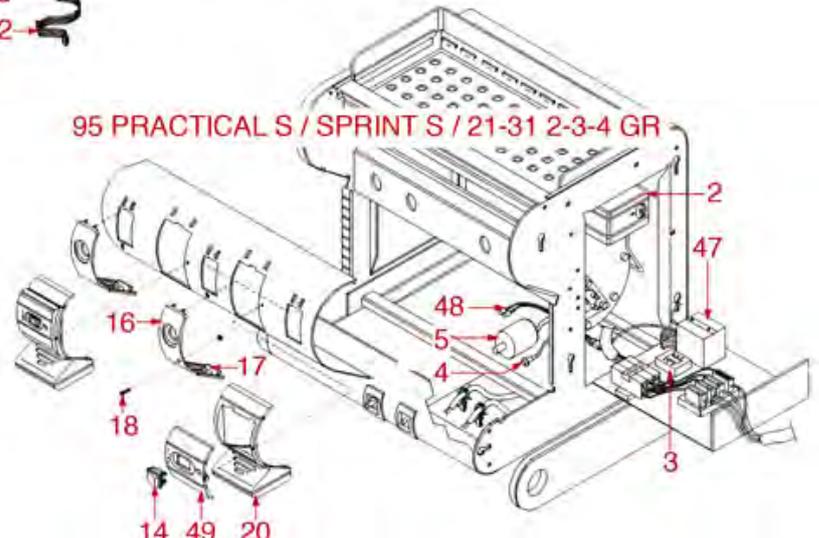
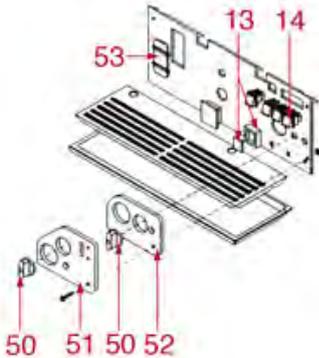
12 11 10 9 8 7

95 23-33



ALL

95 PRACTICAL S / SPRINT S / 21-31 2-3-4 GR





SAN MARCO

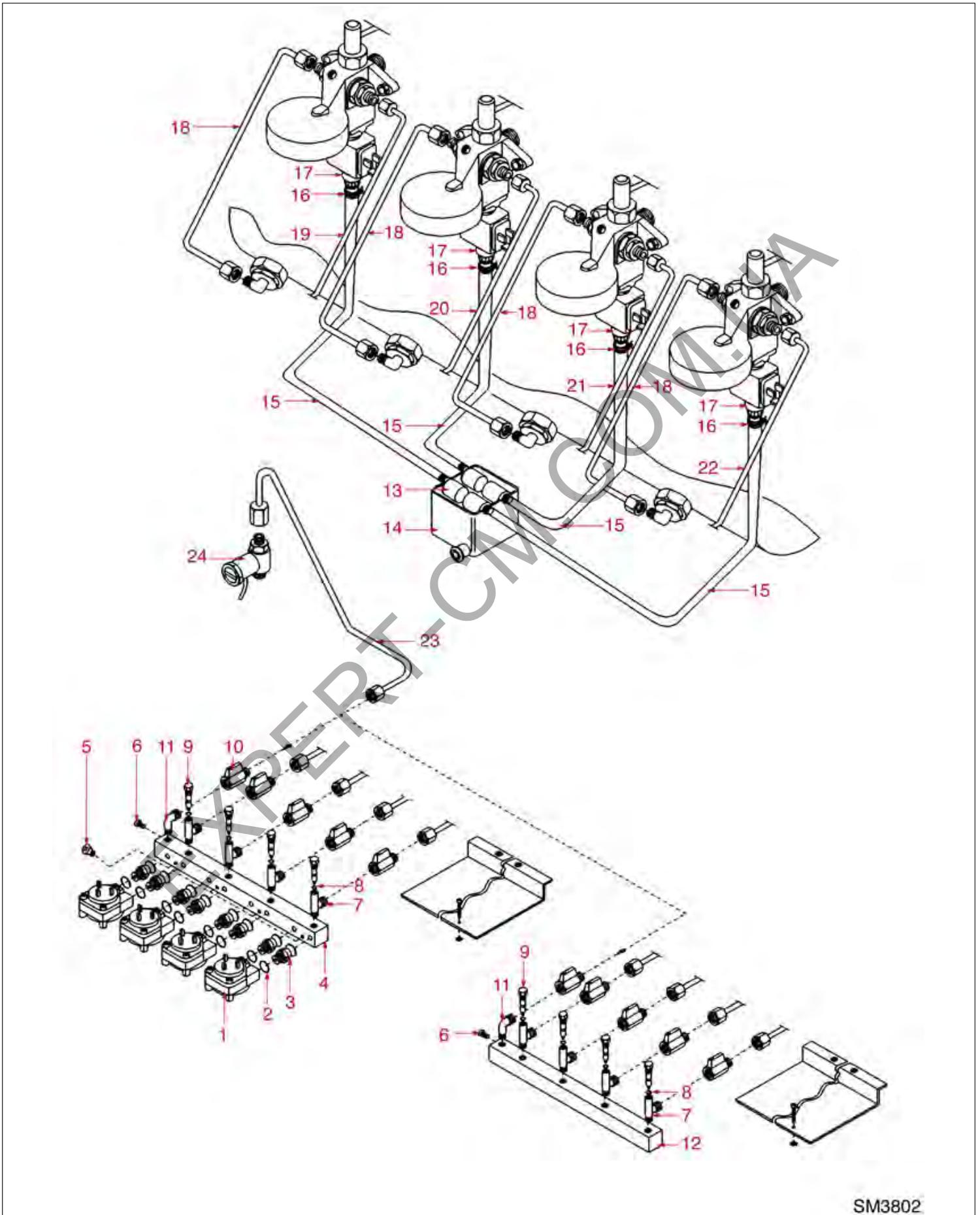


Position	LF code no.	Description
1	1054016	DOSER CONTROL BOX 1-2 GROUPS 230V
1	5004515	DOSING CONTROL BOX 2 GROUPS 230V
2	1320531	PRESSURE SWITCH P302/6 3-POLES 30A
3	1444509	THREE-PHASE THERMOSTAT 169°C
4	3221537	RED INDICATOR LAMP 240V
5	1057044	SELECTOR SWITCH 0-2 POSITIONS 32A 600V
9	1319119	PUSH BUTTON PANEL BOX GASKET 1000 mm
13	3319501	PUSH-BUTTON PROTECTION CAP
14	3319029	BIPOLAR SWITCH GREEN 16A 250V
16	1201587	WATER/STEAM TAP COVER
17	1201588	WATER/STEAM HOLE COVER
20	1201586	GROUP COVER T1 FOR 95
21	1319572	BOX FOR PUSH-BUTTON PANEL
22	1319555	PUSH-BUTTON PANEL 7 BUTTONS
23	1319566	COFFEE DELIVERY BUTTONS KIT
24	1319568	COFFEE DOSING BUTTONS SUPPORT 95
26	1319553	PUSH-BUTTON PANEL 3 BUTTONS
27	1319570	TEA BUTTONS SUPPORT
28	1319567	WATER DELIVERY BUTTONS KIT
29	1319138	PUSH-BUTTON PANEL BOARD 4 BUTTONS
30	1319135	PUSH-BUTTON PANEL BOARD 3 BUTTONS
31	1319118	BOX FOR PUSH-BUTTON PANEL
41	1244001	PLATE FOR PIEZO IGNITER
43	1244002	PLATE FOR GAS TAP
47	1054567	LEVEL REGULATOR RL30/1E/2C/F 230/240V
47	1054568	LEVEL REGULATOR B924 220V
49	1319571	SWITCH SUPPORT
50	1241448	SELECTOR SWITCH KNOB
51	1201008	SPRINT SWITCH PLATE
52	1319011	MAIN SWITCH PLATE
53	1201015	LEVEL PLATE 88x46 mm

EXPERT-CM.COM.UA



HYDRAULIC SYSTEM



SM3802

Positions without LF code no.: upon request



SAN MARCO



Position	LF code no.	Description
1	1455067	VOLUMETRIC FLOW METER GICAR
2	1186223	O-RING 02056 EPDM
3	1349088	FITTING \varnothing 1/4" FOR VOLUMETRIC
7	1349087	"T" FITTING \varnothing 1/8"M-1/8"M-M8 F
8	1186365	"O" RING 02012 EPDM
9	1500003	PLUG WITH JET AND FILTER
10	3526244	BALLCOCK VALVE \varnothing 1/4"M-1/8"F
10	3526697	BALL VALVE \varnothing 1/8" MF
13	1015005	DRAIN TANK CONVEYOR
14	1015004	DRAIN TANK
15	1449688	SILICONE HOSE \varnothing 8x14 SHORE 60 - 10 m
24	1348753	NON-RETURN VALVE

EXPERT-CM.COM.UA